

**INTERCONNECTION
AGREEMENT
BETWEEN
BELLSOUTH TELECOMMUNICATIONS INC.
AND
<<customer_name>>**

TABLE OF CONTENTS

General Terms and Conditions

- Definitions
- 1. CLEC Certification
- 2. Term of the Agreement
- 3. Operational Support Systems
- 4. Parity
- 5. White Pages Listings
- 6. Bona Fide Request/New Business Request Process for Further Unbundling
- 7. Court Ordered Requests for Call Detail Records and Other Subscriber Information
- 8. Liability and Indemnification
- 9. Intellectual Property Rights and Indemnification
- 10. Proprietary and Confidential Information
- 11. Resolution of Disputes
- 12. Taxes
- 13. Force Majeure
- 14. Adoption of Agreements
- 15. Modification of Agreement
- 16. Non-waiver of Legal Rights
- 17. Severability
- 18. Waivers
- 19. Governing Law
- 20. Arm's Length Negotiations
- 21. Notices
- 22. Rule of Construction
- 23. Headings of No Force or Effect
- 24. Multiple Counterparts
- 25. Implementation of Agreement
- 26. Filing of Agreement
- 27. Compliance with Applicable Law
- 28. Necessary Approvals
- 29. Good Faith Performance
- 30. Nonexclusive Dealings
- 31. Rate True-Up
- 32. Survival
- 33. Establishment of Service
- 34. Entire Agreement

TABLE OF CONTENTS (cont'd)

Attachment 1 - Resale

Attachment 2 - Network Elements and Other Services

Attachment 3 - Network Interconnection

Attachment 4 - Physical Collocation

Attachment 5 - Access to Numbers and Number Portability

Attachment 6 – Pre-Ordering, Ordering and Provisioning, Maintenance and Repair

Attachment 7 - Billing and Billing Accuracy Certification

Attachment 8 - Rights-of-Way, Conduits and Pole Attachments

Attachment 9 - Performance Measurements

Attachment 10- Agreement Implementation Template

Attachment 11- BellSouth Disaster Recovery Plan

Attachment 12 – Bona Fide Request/New Business Request Process

AGREEMENT

THIS AGREEMENT is made by and between BellSouth Telecommunications, Inc., (“BellSouth”), a Georgia corporation, and <<customer_name>>, a Delaware corporation, and shall be deemed effective as of the date of the last signature of both Parties (“Effective Date”). This Agreement may refer to either BellSouth or <<customer_name>> or both as a “Party” or “Parties.”

WITNESSETH

WHEREAS, BellSouth is a local exchange telecommunications company authorized to provide telecommunications services in the states of Alabama, Florida, Georgia, Kentucky, Louisiana, Mississippi, North Carolina, South Carolina and Tennessee; and

WHEREAS, <<customer_name>> is or seeks to become a CLEC authorized to provide telecommunications services in the states of Alabama, Florida, Georgia, Kentucky, Louisiana, Mississippi, North Carolina, South Carolina, and Tennessee; and

WHEREAS, <<customer_name>> wishes to resell BellSouth’s telecommunications services and purchase network elements and other services, and the Parties wish to interconnect their facilities and exchange traffic pursuant to sections 251 and 252 of the Act.

NOW THEREFORE, in consideration of the mutual agreements contained herein, BellSouth and <<customer_name>> agree as follows:

Definitions

Affiliate is defined as a person that (directly or indirectly) owns or controls, is owned or controlled by, or is under common ownership or control with, another person. For purposes of this paragraph, the term “own” means to own an equity interest (or equivalent thereof) of more than 10 percent.

Commission is defined as the appropriate regulatory agency in each of BellSouth’s nine-state region, Alabama, Florida, Georgia, Kentucky, Louisiana, Mississippi, North Carolina, South Carolina, and Tennessee.

Competitive Local Exchange Carrier (CLEC) means a telephone company certificated by the Commission to provide local exchange service within BellSouth's franchised area.

End User means the ultimate user of the Telecommunications Service.

FCC means the Federal Communication Commission.

Telecommunications means the transmission, between or among points specified by the user, of information of the user's choosing, without change in the form or content of the information as sent and received.

Telecommunications Service means the offering of telecommunications for a fee directly to the public, or to such classes of users as to be effectively available directly to the public, regardless of the facilities used.

Telecommunications Act of 1996 ("Act") means Public Law 104-104 of the United States Congress effective February 8, 1996. The Act amended the Communications Act of 1934 (47 U.S.C. Section 1 et. seq.).

1. CLEC Certification

1.1 The certificate numbers for <<customer_name>> for each state within the BellSouth region are as follows:

Alabama _____
Florida _____ 7124 _____
Georgia _____ L-0144 _____
Kentucky _____
Louisiana _____
Mississippi _____
North Carolina _____
South Carolina _____
Tennessee _____

1.2 <<customer_name>> will notify BellSouth when it becomes certified to operate in any other state in the BellSouth region. Upon notification, BellSouth will file this Agreement with the appropriate commission for approval.

2. Term of the Agreement

2.1 The term of this Agreement shall be two years, beginning on the Effective Date and shall apply to the BellSouth territory in the state(s) of Alabama, Florida, Georgia, Kentucky, Louisiana, Mississippi, North Carolina, South Carolina and Tennessee.

2.2 The Parties agree that by no earlier than two hundred seventy (270) days and no later than one hundred and eighty (180) days prior to the expiration of this Agreement, they shall commence negotiations for a new agreement to be effective beginning on the expiration date of this Agreement ("Subsequent Agreement"). If as of the expiration of this Agreement, a Subsequent Agreement has not been executed by the Parties, then except as set forth in Section 2.3.2 below, this Agreement shall continue on a month-to-month basis while a Subsequent

Agreement is being negotiated. The Parties' rights and obligations with respect to this Agreement after expiration shall be as set forth in Section 2.3 below.

- 2.3 If, within one hundred and thirty-five (135) days of commencing the negotiation referred to in Section 2.2 above, the Parties are unable to negotiate new terms, conditions and prices for a Subsequent Agreement, either Party may petition the Commission to establish appropriate terms, conditions and prices for the Subsequent Agreement pursuant to 47 U.S.C. 252. In the event the Commission does not issue its order prior to the expiration date of this Agreement, or if the Parties continue beyond the expiration date of this Agreement to negotiate the Subsequent Agreement without Commission intervention, the terms, conditions and prices ultimately ordered by the Commission, or negotiated by the Parties, shall be effective as of the date of execution of this agreement.
- 2.3.1 Except as set forth in Section 2.3.2 below, notwithstanding the foregoing, in the event that as of the date of expiration of this Agreement and conversion of this Agreement to a month-to-month term, the Parties have not entered into a Subsequent Agreement and no arbitration proceeding has been filed in accordance with Section 2.3 above, then either Party may terminate this Agreement upon sixty (60) days notice to the other Party. In the event that BellSouth terminates this Agreement as provided above, BellSouth shall continue to offer services to <<customer_name>> pursuant to the terms, conditions and rates set forth in BellSouth's then current standard interconnection agreement. In the event that BellSouth's standard interconnection agreement becomes effective as between the Parties, the Parties may continue to negotiate a Subsequent Agreement, and the terms of such Subsequent Agreement shall be effective as of the date of execution.
- 2.3.2 Notwithstanding Section 2.3 above, in the event that as of the date of expiration of this Agreement the Parties have not entered into a Subsequent Agreement and (1) no arbitration proceeding has been filed in accordance with Section 2.2 above, and (2) <<customer_name>> either is not certified as a CLEC in any particular state to which this Agreement applies or has not ordered any services under this Agreement as of the date of expiration, then this Agreement shall not continue on a month to month basis but shall be deemed terminated as of the expiration date hereof.

3. Operational Support Systems

- 3.1 <<customer_name>> shall pay charges for Operational Support Systems (OSS) as set forth in this Agreement in Attachment 1 and/or in Attachments 2, 3 and 5, as applicable.

4. Parity

- 4.1 When <<customer_name>> purchases, pursuant to Attachment 1 of this Agreement, telecommunications services from BellSouth for the purposes of resale to end users, BellSouth shall provide said services so that the services are

equal in quality, subject to the same conditions, and provided within the same provisioning time intervals that BellSouth provides to its affiliates, subsidiaries and end users. To the extent technically feasible, the quality of a Network Element, as well as the quality of the access to such Network Element provided by BellSouth to <<customer_name>> shall be at least equal in quality to that which BellSouth provides to itself, its affiliates or any other telecommunications carrier. The quality of the interconnection between the networks of BellSouth and the network of <<customer_name>> shall be at a level that is equal to that which BellSouth provides itself, a subsidiary, an Affiliate, or any other party. The interconnection facilities shall be designed to meet the same technical criteria and service standards that are used within BellSouth's network and shall extend to a consideration of service quality as perceived by BellSouth's end users and service quality as perceived by <<customer_name>>.

5. White Pages Listings

- 5.1 BellSouth shall provide <<customer_name>> and their customers access to white pages directory listings under the following terms:
- 5.2 Listings. <<customer_name>> shall provide all new, changed and deleted listings on a timely basis and BellSouth or its agent will include <<customer_name>> residential and business customer listings in the appropriate White Pages (residential and business) or alphabetical directories. Directory listings will make no distinction between <<customer_name>> and BellSouth subscribers.
- 5.2.1 Rates. So long as <<customer_name>> provides subscriber listing information to BellSouth in accordance with Section 5.3 below, BellSouth shall provide to <<customer_name>> one (1) primary White Pages listing per <<customer_name>> subscriber at no charge other than applicable service order charges as set forth in BellSouth's tariffs.
- 5.3 Procedures for Submitting <<customer_name>> Subscriber Information are found in The BellSouth Business Rules for Local Ordering.
- 5.3.1 Notwithstanding any provision(s) to the contrary, <<customer_name>> shall provide to BellSouth, and BellSouth shall accept, <<customer_name>>'s Subscriber Listing Information (SLI) relating to <<customer_name>>'s customers in the geographic area(s) covered by this Interconnection Agreement. <<customer_name>> authorizes BellSouth to release all such <<customer_name>> SLI provided to BellSouth by <<customer_name>> to qualifying third parties via either license agreement or BellSouth's Directory Publishers Database Service (DPDS), General Subscriber Services Tariff, Section A38.2, as the same may be amended from time to time. Such <<customer_name>> SLI shall be intermingled with BellSouth's own customer listings and listings of any other CLEC that has authorized a similar release of SLI. Where necessary, BellSouth will use good faith efforts to obtain state commission approval of any necessary modifications to Section A38.2 of its tariff

to provide for release of third party directory listings, including modifications regarding listings to be released pursuant to such tariff and BellSouth's liability thereunder. BellSouth's obligation pursuant to this Section shall not arise in any particular state until the commission of such state has approved modifications to such tariff.

- 5.3.2 No compensation shall be paid to <<customer_name>> for BellSouth's receipt of <<customer_name>> SLI, or for the subsequent release to third parties of such SLI. In addition, to the extent BellSouth incurs costs to modify its systems to enable the release of <<customer_name>>'s SLI, or costs on an ongoing basis to administer the release of <<customer_name>> SLI, <<customer_name>> shall pay to BellSouth its proportionate share of the reasonable costs associated therewith.
- 5.3.3 Neither BellSouth nor any agent shall be liable for the content or accuracy of any SLI provided by <<customer_name>> under this Agreement. <<customer_name>> shall indemnify, hold harmless and defend BellSouth and its agents from and against any damages, losses, liabilities, demands claims, suits, judgments, costs and expenses (including but not limited to reasonable attorneys' fees and expenses) arising from BellSouth's tariff obligations or otherwise and resulting from or arising out of any third party's claim of inaccurate <<customer_name>> listings or use of the SLI provided pursuant to this Agreement. BellSouth may forward to <<customer_name>> any complaints received by BellSouth relating to the accuracy or quality of <<customer_name>> listings.
- 5.3.4 Listings and subsequent updates will be released consistent with BellSouth system changes and/or update scheduling requirements.
- 5.4 Unlisted/Non-Published Subscribers. <<customer_name>> will be required to provide to BellSouth the names, addresses and telephone numbers of all <<customer_name>> customers that wish to be omitted from directories.
- 5.5 Inclusion of <<customer_name>> Customers in Directory Assistance Database. BellSouth will include and maintain <<customer_name>> subscriber listings in BellSouth's Directory Assistance databases at no recurring charge and <<customer_name>> shall provide such Directory Assistance listings at no recurring charge. BellSouth and <<customer_name>> will formulate appropriate procedures regarding lead-time, timeliness, format and content of listing information.
- 5.6 Listing Information Confidentiality. BellSouth will accord <<customer_name>>'s directory listing information the same level of confidentiality that BellSouth accords its own directory listing information, and BellSouth shall limit access to <<customer_name>>'s customer proprietary confidential directory information to those BellSouth employees or agents who are involved in the preparation of listings or directories.

5.7 Additional and Designer Listings. Additional and designer listings will be offered by BellSouth at tariffed rates as set forth in the General Subscriber Services Tariff.

5.8 Directories. BellSouth or its agent shall make available White Pages directories to <<customer_name>> subscribers at no charge or as specified in a separate BAPCO agreement.

6. Bona Fide Request/New Business Request Process for Further Unbundling

6.1 BellSouth shall, upon request of <<customer_name>>, provide to <<customer_name>> access to its network elements at any technically feasible point for the provision of <<customer_name>>'s telecommunications service where such access is necessary and failure to provide access would impair the ability of <<customer_name>> to provide services that it seeks to offer. Any request by <<customer_name>> for access to a network element, interconnection option, or for the provisioning of any service or product that is not already available shall be treated as a Bona Fide Request/New Business Request (BFR/NBR), and shall be submitted to BellSouth pursuant to the BFR/NBR process as described in Attachment 12 to this Agreement.

6.2 <<customer_name>> shall submit any BFR/NBR in writing to <<customer_name>>'s Account Manager. The BFR/NBR shall specifically identify the requested service date, technical requirements, space requirements and/or such specifications that clearly define the request such that BellSouth has sufficient information to analyze and prepare a response. The BFR/NBR also shall include <<customer_name>>'s designation of the request as being (i) pursuant to the Telecommunications Act of 1996 or (ii) pursuant to the needs of the business.

7. Court Ordered Requests for Call Detail Records and Other Subscriber Information

7.1 Subpoenas Directed to BellSouth. Where BellSouth provides resold services or local switching for <<customer_name>>, BellSouth shall respond to subpoenas and court ordered requests delivered directly to BellSouth for the purpose of providing call detail records when the targeted telephone numbers belong to <<customer_name>> end users. Billing for such requests will be generated by BellSouth and directed to the law enforcement agency initiating the request. BellSouth shall maintain such information for <<customer_name>> end users for the same length of time it maintains such information for its own end users.

7.2 Subpoenas Directed to <<customer_name>>. Where BellSouth is providing to <<customer_name>> telecommunications services for resale or providing to <<customer_name>> the local switching function, then <<customer_name>> agrees that in those cases where <<customer_name>> receives subpoenas or court ordered requests regarding targeted telephone numbers belonging to <<customer_name>> end users, and where <<customer_name>> does not have the requested information, <<customer_name>> will advise the law enforcement

agency initiating the request to redirect the subpoena or court ordered request to BellSouth for handling in accordance with 7.1 above.

- 7.3 In all other instances, where either Party receives a request for information involving the other Party's end user, the Party receiving the request will advise the law enforcement agency initiating the request to redirect such request to the other Party.

8. Liability and Indemnification

- 8.1 <<customer_name>> Liability. In the event that <<customer_name>> consists of two (2) or more separate entities as set forth in this Agreement and/or any Amendments hereto, all such entities shall be jointly and severally liable for the obligations of <<customer_name>> under this Agreement.

- 8.2 Liability for Acts or Omissions of Third Parties. BellSouth shall not be liable to <<customer_name>> for any act or omission of another telecommunications company providing services to <<customer_name>>.

8.3 Limitation of Liability

- 8.3.1 Except for any indemnification obligations of the Parties hereunder, each Party's liability to the other for any loss, cost, claim, injury or liability or expense, including reasonable attorney's fees relating to or arising out of any negligent act or omission in its performance of this Agreement whether in contract or in tort, shall be limited to a credit for the actual cost of the services or functions not performed or improperly performed.

- 8.3.2 Limitations in Tariffs. A Party may, in its sole discretion, provide in its tariffs and contracts with its End Users and third parties that relate to any service, product or function provided or contemplated under this Agreement, that to the maximum extent permitted by Applicable Law, such Party shall not be liable to the End User or third Party for (i) any loss relating to or arising out of this Agreement, whether in contract, tort or otherwise, that exceeds the amount such Party would have charged that applicable person for the service, product or function that gave rise to such loss and (ii) Consequential Damages. To the extent that a Party elects not to place in its tariffs or contracts such limitations of liability, and the other Party incurs a loss as a result thereof, such Party shall indemnify and reimburse the other Party for that portion of the loss that would have been limited had the first Party included in its tariffs and contracts the limitations of liability that such other Party included in its own tariffs at the time of such loss.

- 8.3.3 Neither BellSouth nor <<customer_name>> shall be liable for damages to the other Party's terminal location, equipment or End User premises resulting from the furnishing of a service, including, but not limited to, the installation and removal of equipment or associated wiring, except to the extent caused by a Party's negligence or willful misconduct or by a Party's failure to ground properly a local loop after disconnection.

- 8.3.4 Under no circumstance shall a Party be responsible or liable for indirect, incidental, or consequential damages, including, but not limited to, economic loss or lost business or profits, damages arising from the use or performance of equipment or software, or the loss of use of software or equipment, or accessories attached thereto, delay, error, or loss of data. In connection with this limitation of liability, each Party recognizes that the other Party may, from time to time, provide advice, make recommendations, or supply other analyses related to the Services, or facilities described in this Agreement, and, while each Party shall use diligent efforts in this regard, the Parties acknowledge and agree that this limitation of liability shall apply to provision of such advice, recommendations, and analyses.
- 8.3.5 To the extent any specific provision of this Agreement purports to impose liability, or limitation of liability, on either Party different from or in conflict with the liability or limitation of liability set forth in this Section, then with respect to any facts or circumstances covered by such specific provisions, the liability or limitation of liability contained in such specific provision shall apply.
- 8.4 Indemnification for Certain Claims. The Party providing services hereunder, its affiliates and its parent company, shall be indemnified, defended and held harmless by the Party receiving services hereunder against any claim, loss or damage arising from the receiving company's use of the services provided under this Agreement pertaining to (1) claims for libel, slander or invasion of privacy arising from the content of the receiving company's own communications, or (2) any claim, loss or damage claimed by the End User of the Party receiving services arising from such company's use or reliance on the providing company's services, actions, duties, or obligations arising out of this Agreement.
- 8.5 Disclaimer. EXCEPT AS SPECIFICALLY PROVIDED TO THE CONTRARY IN THIS AGREEMENT, NEITHER PARTY MAKES ANY REPRESENTATIONS OR WARRANTIES TO THE OTHER PARTY CONCERNING THE SPECIFIC QUALITY OF ANY SERVICES, OR FACILITIES PROVIDED UNDER THIS AGREEMENT. THE PARTIES DISCLAIM, WITHOUT LIMITATION, ANY WARRANTY OR GUARANTEE OF MERCHANTABILITY OR FITNESS FOR A PARTICULAR PURPOSE, ARISING FROM COURSE OF PERFORMANCE, COURSE OF DEALING, OR FROM USAGES OF TRADE.

9. Intellectual Property Rights and Indemnification

- 9.1 No License. No patent, copyright, trademark or other proprietary right is licensed, granted or otherwise transferred by this Agreement. <<customer_name>> is strictly prohibited from any use, including but not limited to in sales, in marketing or advertising of telecommunications services, of any BellSouth name, service mark or trademark. Notwithstanding the foregoing, <<customer_name>> may use BellSouth's name solely in response to inquiries of customers or potential

customers regarding the source of the underlying service or the identity of repair or service technicians under this Agreement.

- 9.2 Ownership of Intellectual Property. Any intellectual property which originates from or is developed by a Party shall remain the exclusive property of that Party. Except for a limited license to use patents or copyrights to the extent necessary for the Parties to use any facilities or equipment (including software) or to receive any service solely as provided under this Agreement, no license in patent, copyright, trademark or trade secret, or other proprietary or intellectual property right now or hereafter owned, controlled or licensable by a Party, is granted to the other Party or shall be implied or arise by estoppel. It is the responsibility of each Party to ensure at no additional cost to the other Party that it has obtained any necessary licenses in relation to intellectual property of third Parties used in its network that may be required to enable the other Party to use any facilities or equipment (including software), to receive any service, or to perform its respective obligations under this Agreement.
- 9.3 Indemnification. The Party providing a service pursuant to this Agreement will defend the Party receiving such service or data provided as a result of such service against claims of infringement arising solely from the use by the receiving Party of such service in the manner contemplated under this Agreement and will indemnify the receiving Party for any damages awarded based solely on such claims in accordance with Section 8 of this Agreement.
- 9.4 Claim of Infringement. In the event that use of any facilities or equipment (including software), becomes, or in the reasonable judgment of the Party who owns the affected network is likely to become, the subject of a claim, action, suit, or proceeding based on intellectual property infringement, then said Party shall promptly and at its sole expense and sole option, but subject to the limitations of liability set forth below:
- 9.4.1 modify or replace the applicable facilities or equipment (including software) while maintaining form and function, or
- 9.4.2 obtain a license sufficient to allow such use to continue.
- 9.4.3 In the event 9.4.1 or 9.4.2 are commercially unreasonable, then said Party may, terminate, upon reasonable notice, this contract with respect to use of, or services provided through use of, the affected facilities or equipment (including software), but solely to the extent required to avoid the infringement claim.
- 9.5 Exception to Obligations. Neither Party's obligations under this Section shall apply to the extent the infringement is caused by: (i) modification of the facilities or equipment (including software) by the indemnitee; (ii) use by the indemnitee of the facilities or equipment (including software) in combination with equipment or facilities (including software) not provided or authorized by the indemnitor, provided the facilities or equipment (including software) would not be infringing

if used alone; (iii) conformance to specifications of the indemnitee which would necessarily result in infringement; or (iv) continued use by the indemnitee of the affected facilities or equipment (including software) after being placed on notice to discontinue use as set forth herein.

- 9.6 Exclusive Remedy. The foregoing shall constitute the Parties' sole and exclusive remedies and obligations with respect to a third party claim of intellectual property infringement arising out of the conduct of business under this Agreement.

10. Proprietary and Confidential Information

- 10.1 Proprietary and Confidential Information. It may be necessary for BellSouth and <<customer_name>>, each as the "Discloser," to provide to the other Party, as "Recipient," certain proprietary and confidential information (including trade secret information) including but not limited to technical, financial, marketing, staffing and business plans and information, strategic information, proposals, request for proposals, specifications, drawings, maps, prices, costs, costing methodologies, procedures, processes, business systems, software programs, techniques, customer account data, call detail records and like information (collectively the "Information"). All such Information conveyed in writing or other tangible form shall be clearly marked with a confidential or proprietary legend. Information conveyed orally by the Discloser to Recipient shall be designated as proprietary and confidential at the time of such oral conveyance, shall be reduced to writing by the Discloser within forty-five (45) days thereafter, and shall be clearly marked with a confidential or proprietary legend.

- 10.2 Use and Protection of Information. Recipient agrees to protect such Information of the Discloser provided to Recipient from whatever source from distribution, disclosure or dissemination to anyone except employees of Recipient with a need to know such Information solely in conjunction with Recipient's analysis of the Information and for no other purpose except as authorized herein or as otherwise authorized in writing by the Discloser. Recipient will not make any copies of the Information inspected by it.

- 10.3 Exceptions. Recipient will not have an obligation to protect any portion of the Information which:

- 10.3.1 (a) is made publicly available by the Discloser or lawfully by a nonparty to this Agreement; (b) is lawfully obtained by Recipient from any source other than Discloser; (c) is previously known to Recipient without an obligation to keep it confidential; or (d) is released from the terms of this Agreement by Discloser upon written notice to Recipient.

- 10.4 Recipient agrees to use the Information solely for the purposes of negotiations pursuant to 47 U.S.C. 251 or in performing its obligations under this Agreement and for no other entity or purpose, except as may be otherwise agreed to in writing

by the Parties. Nothing herein shall prohibit Recipient from providing information requested by the Federal Communications Commission or a state regulatory agency with jurisdiction over this matter, or to support a request for arbitration or an allegation of failure to negotiate in good faith.

- 10.5 Recipient agrees not to publish or use the Information for any advertising, sales promotions, press releases, or publicity matters that refer either directly or indirectly to the Information or to the Discloser or any of its affiliated companies.
- 10.6 The disclosure of Information neither grants nor implies any license to the Recipient under any trademark, patent, copyright, or application which is now or may hereafter be owned by the Discloser.
- 10.7 Survival of Confidentiality Obligations. The Parties' rights and obligations under this Section 10 shall survive and continue in effect until two (2) years after the expiration or termination date of this Agreement with regard to all Information exchanged during the term of this Agreement. Thereafter, the Parties' rights and obligations hereunder survive and continue in effect with respect to any Information that is a trade secret under applicable law.
- 10.8 Assignments
- 10.9 Any assignment by either Party to any non-affiliated entity of any right, obligation or duty, or of any other interest hereunder, in whole or in part, without the prior written consent of the other Party shall be void. A Party may assign this Agreement or any right, obligation, duty or other interest hereunder to an Affiliate of the Party without the consent of the other Party; provided, however, that the assigning Party shall notify the other Party in writing of such assignment thirty (30) days prior to the Effective Date thereof and, provided further, if the assignee is an assignee of <<customer_name>>, the assignee must provide evidence of Commission CLEC certification. The Parties shall amend this Agreement to reflect such assignments and shall work cooperatively to implement any changes required due to such assignment. All obligations and duties of any Party under this Agreement shall be binding on all successors in interest and assigns of such Party. No assignment or delegation hereof shall relieve the assignor of its obligations under this Agreement in the event that the assignee fails to perform such obligations.

11. Resolution of Disputes

- 11.1 Except as otherwise stated in this Agreement, if any dispute arises as to the interpretation of any provision of this Agreement or as to the proper implementation of this Agreement, the aggrieved Party shall petition the Commission for a resolution of the dispute. However, each Party reserves any rights it may have to seek judicial review of any ruling made by the Commission concerning this Agreement.

12. Taxes

12.1 Definition. For purposes of this Section, the terms “taxes” and “fees” shall include but not limited to federal, state or local sales, use, excise, gross receipts or other taxes or tax-like fees of whatever nature and however designated (including tariff surcharges and any fees, charges or other payments, contractual or otherwise, for the use of public streets or rights of way, whether designated as franchise fees or otherwise) imposed, or sought to be imposed, on or with respect to the services furnished hereunder or measured by the charges or payments therefore, excluding any taxes levied on income.

12.2 Taxes and Fees Imposed Directly On Either Providing Party or Purchasing Party.

12.2.1 Taxes and fees imposed on the providing Party, which are not permitted or required to be passed on by the providing Party to its customer, shall be borne and paid by the providing Party.

12.2.2 Taxes and fees imposed on the purchasing Party, which are not required to be collected and/or remitted by the providing Party, shall be borne and paid by the purchasing Party.

12.3 Taxes and Fees Imposed on Purchasing Party But Collected And Remitted By Providing Party.

12.3.1 Taxes and fees imposed on the purchasing Party shall be borne by the purchasing Party, even if the obligation to collect and/or remit such taxes or fees is placed on the providing Party.

12.3.2 To the extent permitted by applicable law, any such taxes and/or fees shall be shown as separate items on applicable billing documents between the Parties. Notwithstanding the foregoing, the purchasing Party shall remain liable for any such taxes and fees regardless of whether they are actually billed by the providing Party at the time that the respective service is billed.

12.3.3 If the purchasing Party determines that in its opinion any such taxes or fees are not payable, the providing Party shall not bill such taxes or fees to the purchasing Party if the purchasing Party provides written certification, reasonably satisfactory to the providing Party, stating that it is exempt or otherwise not subject to the tax or fee, setting forth the basis therefor, and satisfying any other requirements under applicable law. If any authority seeks to collect any such tax or fee that the purchasing Party has determined and certified not to be payable, or any such tax or fee that was not billed by the providing Party, the purchasing Party may contest the same in good faith, at its own expense. In any such contest, the purchasing Party shall promptly furnish the providing Party with copies of all filings in any proceeding, protest, or legal challenge, all rulings issued in connection therewith, and all correspondence between the purchasing Party and the taxing authority.

- 12.3.4 In the event that all or any portion of an amount sought to be collected must be paid in order to contest the imposition of any such tax or fee, or to avoid the existence of a lien on the assets of the providing Party during the pendency of such contest, the purchasing Party shall be responsible for such payment and shall be entitled to the benefit of any refund or recovery.
- 12.3.5 If it is ultimately determined that any additional amount of such a tax or fee is due to the imposing authority, the purchasing Party shall pay such additional amount, including any interest and penalties thereon.
- 12.3.6 Notwithstanding any provision to the contrary, the purchasing Party shall protect, indemnify and hold harmless (and defend at the purchasing Party's expense) the providing Party from and against any such tax or fee, interest or penalties thereon, or other charges or payable expenses (including reasonable attorney fees) with respect thereto, which are incurred by the providing Party in connection with any claim for or contest of any such tax or fee.
- 12.3.7 Each Party shall notify the other Party in writing of any assessment, proposed assessment or other claim for any additional amount of such a tax or fee by a taxing authority; such notice to be provided, if possible, at least ten (10) days prior to the date by which a response, protest or other appeal must be filed, but in no event later than thirty (30) days after receipt of such assessment, proposed assessment or claim.
- 12.4 Taxes and Fees Imposed on Providing Party But Passed On To Purchasing Party.
- 12.4.1 Taxes and fees imposed on the providing Party, which are permitted or required to be passed on by the providing Party to its customer, shall be borne by the purchasing Party.
- 12.4.2 To the extent permitted by applicable law, any such taxes and/or fees shall be shown as separate items on applicable billing documents between the Parties. Notwithstanding the foregoing, the purchasing Party shall remain liable for any such taxes and fees regardless of whether they are actually billed by the providing Party at the time that the respective service is billed.
- 12.4.3 If the purchasing Party disagrees with the providing Party's determination as to the application or basis for any such tax or fee, the Parties shall consult with respect to the imposition and billing of such tax or fee. Notwithstanding the foregoing, the providing Party shall retain ultimate responsibility for determining whether and to what extent any such taxes or fees are applicable, and the purchasing Party shall abide by such determination and pay such taxes or fees to the providing Party. The providing Party shall further retain ultimate responsibility for determining whether and how to contest the imposition of such taxes and fees; provided, however, that any such contest undertaken at the request of the purchasing Party shall be at the purchasing Party's expense.

- 12.4.4 In the event that all or any portion of an amount sought to be collected must be paid in order to contest the imposition of any such tax or fee, or to avoid the existence of a lien on the assets of the providing Party during the pendency of such contest, the purchasing Party shall be responsible for such payment and shall be entitled to the benefit of any refund or recovery.
- 12.4.5 If it is ultimately determined that any additional amount of such a tax or fee is due to the imposing authority, the purchasing Party shall pay such additional amount, including any interest and penalties thereon.
- 12.4.6 Notwithstanding any provision to the contrary, the purchasing Party shall protect indemnify and hold harmless (and defend at the purchasing Party's expense) the providing Party from and against any such tax or fee, interest or penalties thereon, or other reasonable charges or payable expenses (including reasonable attorney fees) with respect thereto, which are incurred by the providing Party in connection with any claim for or contest of any such tax or fee.
- 12.4.7 Each Party shall notify the other Party in writing of any assessment, proposed assessment or other claim for any additional amount of such a tax or fee by a taxing authority; such notice to be provided, if possible, at least ten (10) days prior to the date by which a response, protest or other appeal must be filed, but in no event later than thirty (30) days after receipt of such assessment, proposed assessment or claim.
- 12.5 Mutual Cooperation. In any contest of a tax or fee by one Party, the other Party shall cooperate fully by providing records, testimony and such additional information or assistance as may reasonably be necessary to pursue the contest. Further, the other Party shall be reimbursed for any reasonable and necessary out-of-pocket copying and travel expenses incurred in assisting in such contest.

13. Force Majeure

- 13.1 In the event performance of this Agreement, or any obligation hereunder, is either directly or indirectly prevented, restricted, or interfered with by reason of fire, flood, earthquake or like acts of God, wars, revolution, civil commotion, explosion, acts of public enemy, embargo, acts of the government in its sovereign capacity, labor difficulties, including without limitation, strikes, slowdowns, picketing, or boycotts, unavailability of equipment from vendor, changes requested by Customer, or any other circumstances beyond the reasonable control and without the fault or negligence of the Party affected, the Party affected, upon giving prompt notice to the other Party, shall be excused from such performance on a day-to-day basis to the extent of such prevention, restriction, or interference (and the other Party shall likewise be excused from performance of its obligations on a day-to-day basis until the delay, restriction or interference has ceased); provided however, that the Party so affected shall use diligent efforts to avoid or remove such causes of non-performance and both Parties shall proceed whenever such causes are removed or cease.

14. Adoption of Agreements

- 14.1 BellSouth shall make available, pursuant to 47 USC § 252 and the FCC rules and regulations regarding such availability, to <<customer_name>> any interconnection, service, or network element provided under any other agreement filed and approved pursuant to 47 USC § 252, provided a minimum of six months remains on the term of such Agreement. The Parties shall adopt all rates, terms and conditions concerning such other interconnection, service or network element and any other rates, terms and conditions that are legitimately related to or were negotiated in exchange for or in conjunction with the interconnection, service or network element being adopted. The adopted interconnection, service, or network element and agreement shall apply to the same states as such other agreement. The term of the adopted agreement or provisions shall expire on the same date as set forth in the agreement which was adopted.

15. Modification of Agreement

- 15.1 If <<customer_name>> changes its name or makes changes to its company structure or identity due to a merger, acquisition, transfer or any other reason, it is the responsibility of <<customer_name>> to notify BellSouth of said change and request that an amendment to this Agreement, if necessary, be executed to reflect said change.
- 15.2 No modification, amendment, supplement to, or waiver of the Agreement or any of its provisions shall be effective and binding upon the Parties unless it is made in writing and duly signed by the Parties.
- 15.3 In the event that any effective legislative, regulatory, judicial or other legal action materially affects any material terms of this Agreement, or the ability of <<customer_name>> or BellSouth to perform any material terms of this Agreement, <<customer_name>> or BellSouth may, on thirty (30) days' written notice require that such terms be renegotiated, and the Parties shall renegotiate in good faith such mutually acceptable new terms as may be required. In the event that such new terms are not renegotiated within ninety (90) days after such notice, the Dispute shall be referred to the Dispute Resolution procedure set forth in this Agreement.
- 15.4 Notwithstanding anything to the contrary in this Agreement, this Agreement shall not be amended or modified after the expiration date hereof as set forth in Section 2 above.

16. Non-waiver of Legal Rights

- 16.1 Execution of this Agreement by either Party does not confirm or infer that the executing Party agrees with any decision(s) issued pursuant to the Telecommunications Act of 1996 and the consequences of those decisions on specific language in this Agreement. Neither Party waives its rights to appeal or otherwise challenge any such decision(s) and each Party reserves all of its rights to

pursue any and all legal and/or equitable remedies, including appeals of any such decision(s).

17. Severability

17.1 If any provision of this Agreement, or the application of such provision to either Party or circumstance, shall be held invalid, the remainder of the Agreement, or the application of any such provision to the Parties or circumstances other than those to which it is held invalid, shall not be affected thereby, provided that the Parties shall attempt to reformulate such invalid provision to give effect to such portions thereof as may be valid without defeating the intent of such provision.

18. Waivers

18.1 A failure or delay of either Party to enforce any of the provisions hereof, to exercise any option which is herein provided, or to require performance of any of the provisions hereof shall in no way be construed to be a waiver of such provisions or options, and each Party, notwithstanding such failure, shall have the right thereafter to insist upon the performance of any and all of the provisions of this Agreement.

19. Governing Law

19.1 This Agreement shall be governed by, and construed and enforced in accordance with, the laws of the State of Georgia, without regard to its conflict of laws principles.

20. Arm's Length Negotiations

20.1 This Agreement was executed after arm's length negotiations between the undersigned Parties and reflects the conclusion of the undersigned that this Agreement is in the best interests of all Parties.

21. Notices

21.1 Every notice, consent, approval, or other communications required or contemplated by this Agreement shall be in writing and shall be delivered by hand, by overnight courier or by US mail postage prepaid, address to:

BellSouth Telecommunications, Inc.

Account Team
600 North 19th Street
Birmingham, Alabama 35203

and

General Attorney - COU
Suite 4300
675 W. Peachtree St.
Atlanta, GA 30375

<<customer_name>>

Bob Riordan
360 Hamilton Ave., 7th Fl
White Plains, NY 10601

or at such other address as the intended recipient previously shall have designated by written notice to the other Party.

21.2 Unless otherwise provided in this Agreement, notice by mail shall be effective on the date it is officially recorded as delivered by return receipt or equivalent, and in the absence of such record of delivery, it shall be presumed to have been delivered the fifth day, or next business day after the fifth day, after it was deposited in the mails.

21.3 Notwithstanding the foregoing, BellSouth may provide <<customer_name>> notice via Internet posting of price changes, changes to the terms and conditions of services available for resale per Commission Orders. BellSouth will also post changes to business processes and policies, notices of new service offerings, and changes to service offerings not requiring an amendment to this Agreement, notices required to be posted to BellSouth's website, and any other information of general applicability to CLECs.

22. Rule of Construction

22.1 No rule of construction requiring interpretation against the drafting Party hereof shall apply in the interpretation of this Agreement.

23. Headings of No Force or Effect

23.1 The headings of Articles and Sections of this Agreement are for convenience of reference only, and shall in no way define, modify or restrict the meaning or interpretation of the terms or provisions of this Agreement.

24. Multiple Counterparts

24.1 This Agreement may be executed in multiple counterparts, each of which shall be deemed an original, but all of which shall together constitute but one and the same document.

25. Implementation of Agreement

25.1 If <<customer_name>> is a facilities based provider or a facilities based and resale provider, this section shall apply. Within 60 days of the execution of this Agreement, the Parties may adopt a schedule for the implementation of the Agreement. The schedule shall state with specificity time frames for submission of including but not limited to, network design, interconnection points, collocation arrangement requests, pre-sales testing and full operational time frames for the business and residential markets. An implementation template which may be used for the implementation schedule is contained in Attachment 10 of this Agreement.

26. Filing of Agreement

26.1 Upon execution of this Agreement it shall be filed with the appropriate state regulatory agency pursuant to the requirements of Section 252 of the Act, and the Parties shall share equally any filing fees therefor. If the regulatory agency imposes any filing or public interest notice fees regarding the filing or approval of the Agreement, <<customer_name>> shall be responsible for publishing the required notice and the publication and/or notice costs shall be borne by <<customer_name>>. Notwithstanding the foregoing, this Agreement shall not be submitted for approval by the appropriate state regulatory agency unless and until such time as <<customer_name>> is duly certified as a local exchange carrier in such state, except as otherwise required by a state Commission.

26.2 For electronic filing purposes in the State of Louisiana, the CLEC Louisiana Certification Number is required and must be provided by <<customer_name>> prior to filing of the Agreement. The CLEC Louisiana Certification Number for <<customer_name>> is as indicated in Section 1.1.

27. Compliance with Applicable Law

27.1 Each Party shall comply at its own expense with Applicable Law.

28. Necessary Approvals

28.1 Each Party shall be responsible for obtaining and keeping in effect all approvals from, and rights granted by, governmental authorities, building and property owners, other carriers, and any other persons that may be required in connection with the performance of its obligations under this Agreement. Each Party shall reasonably cooperate with the other Party in obtaining and maintaining any required approvals and rights for which such Party is responsible.

29. Good Faith Performance

29.1 Each Party shall act in good faith in its performance under this Agreement and, in each case in which a Party's consent or agreement is required or requested hereunder, such Party shall not unreasonably withhold or delay such consent or agreement.

30. Nonexclusive Dealings

30.1 This Agreement does not prevent either Party from providing or purchasing services to or from any other person nor, except as provided in Section 252(i) of the Act, does it obligate either Party to provide or purchase any services (except insofar as the Parties are obligated to provide access to Interconnection, services and Network Elements to <<customer_name>> as a requesting carrier under the Act).

31. Rate True-Up

31.1 This section applies to Local Interconnection and/or Unbundled Network Elements and Other Services rates that are interim or expressly subject to true-up under this Agreement.

31.2 The interim prices for Network Elements and Other Services and Local Interconnection shall be subject to true-up according to the following procedures:

31.3 The interim prices shall be true-up, either up or down, based on final prices determined either by further agreement between the Parties, or by a final order (including any appeals) of the Commission which final order meets the criteria of (3) below. The Parties shall implement the true-up by comparing the actual volumes and demand for each item, together with interim prices for each item, with the final prices determined for each item. Each Party shall keep its own records upon which the true-up can be based, and any final payment from one Party to the other shall be in an amount agreed upon by the Parties based on such records. In the event of any disagreement as between the records or the Parties regarding the amount of such true-up, the Parties agree that the body having jurisdiction over the matter shall be called upon to resolve such differences, or the Parties may mutually agree to submit the matter to the Dispute Resolution process in accordance with the provisions of Section 11 of the General Terms and Conditions and Attachment 1 of this Agreement.

31.4 The Parties may continue to negotiate toward final prices, but in the event that no such Agreement is reached within nine (9) months, either Party may petition the Commission to resolve such disputes and to determine final prices for each item. Alternatively, upon mutual agreement, the Parties may submit the matter to the Dispute Resolution Process set forth in Section 11 of the General Terms and Conditions and Attachment 1 of this Agreement, so long as they file the resulting Agreement with the Commission as a “negotiated Agreement” under Section 252(e) of the Act.

31.5 An effective order of the Commission that forms the basis of a true-up shall be based upon cost studies submitted by either or both Parties to the Commission and shall be binding upon BellSouth and CLEC-1 specifically or upon all carriers generally, such as a generic cost proceeding.

32. Survival

32.1 The Parties' obligations under this Agreement which by their nature are intended to continue beyond the termination or expiration of this Agreement shall survive the termination or expiration of this Agreement.

33. Establishment of Service

If BellSouth is informed that an unauthorized change in local service to <<customer_name>> has occurred, BellSouth will reestablish service with the appropriate local service provider and will assess <<customer_name>> as the CLEC initiating the alleged unauthorized change, the appropriate nonrecurring charges, as set forth in Section A4 of the General Subscriber Service Tariff. In accordance with FCC Slamming Liability Rules, the relevant governmental agency will determine if an unauthorized change has occurred. Resolution of all relevant issues shall be handled directly with the authorized CLEC and <<customer_name>>.

34. Entire Agreement

34.1 This Agreement and its Attachments, incorporated herein by this reference, sets forth the entire understanding and supersedes prior Agreements between the Parties relating to the subject matter contained herein and merges all prior discussions between them. Any orders placed under prior agreements between the Parties shall be governed by the terms of this Agreement. Neither Party shall be bound by any definition, condition, provision, representation, warranty, covenant or promise other than as expressly stated in this Agreement or as is contemporaneously or subsequently set forth in writing and executed by a duly authorized officer or representative of the Party to be bound thereby.

34.2 **This Agreement may include attachments with provisions for the following services:**

Network Elements and Other Services
Local Interconnection
Resale
Collocation

34.3 **The following services are included as options for purchase by <<customer_name>>. <<customer_name>> may elect to purchase said services by written request to its Account Manager if applicable:**

Optional Daily Usage File (ODUF)
Enhanced Optional Daily Usage File (EODUF)
Access Daily Usage File (ADUF)

Line Information Database (LIDB) Storage
Centralized Message Distribution Service (CMDS)
Calling Name (CNAM)
LNP Data Base Query Service

IN WITNESS WHEREOF, the Parties have executed this Agreement the day and year written below.

BellSouth Telecommunications, Inc.

<<customer_name>>

By: _____

By: _____

Name: _____

Name: _____

Title: _____

Title: _____

Date: _____

Date: _____

Attachment 1

Resale

TABLE OF CONTENTS

1.	DISCOUNT RATES	3
2.	DEFINITION OF TERMS	3
3.	GENERAL PROVISIONS	3
4.	BELLSOUTH'S PROVISION OF SERVICES TO <<CUSTOMER_NAME>>	8
5.	MAINTENANCE OF SERVICES.....	8
6.	ESTABLISHMENT OF SERVICE.....	9
7.	PAYMENT AND BILLING ARRANGEMENTS.....	11
8.	DISCONTINUANCE OF SERVICE.....	14
9.	LINE INFORMATION DATABASE (LIDB)	15
10.	RAO HOSTING.....	15
11.	OPTIONAL DAILY USAGE FILE (ODUF)	15
12.	ENHANCED OPTIONAL DAILY USAGE FILE (EODUF).....	16
	Exhibit A – Applicable Discounts/OSS Rates.....	.16
	Exhibit B – Resale Restrictions.....	19
	Exhibit C – Line Information Database (LIDB) Storage Agreement.....	.20
	Exhibit D – Optional Daily Usage File (ODUF).....	.. 24
	Exhibit E – Enhanced Option Daily Usage File (EODUF).....	28
	Exhibit F – ODUF/EODUF/CMDS Rates.....	Rate Table

RESALE

1. Discount Rates

The discount rates applied to <<customer_name>> purchases of BellSouth Telecommunications Services for the purpose of resale shall be as set forth in Exhibit A. Such discounts have been determined by the applicable Commission to reflect the costs avoided by BellSouth when selling a service for wholesale purposes.

2. Definition of Terms

- 2.1 COMPETITIVE LOCAL EXCHANGE COMPANY (CLEC) means a telephone company certificated by the Commission to provide local exchange service within BellSouth's franchised area.
- 2.2 CUSTOMER OF RECORD means the entity responsible for placing application for service; requesting additions, rearrangements, maintenance or discontinuance of service; payment in full of charges incurred such as non-recurring, monthly recurring, toll, directory assistance, etc.
- 2.3 DEPOSIT means assurance provided by a customer in the form of cash, surety bond or bank letter of credit to be held by BellSouth.
- 2.4 END USER means the ultimate user of the Telecommunications Service.
- 2.5 END USER CUSTOMER LOCATION means the physical location of the premises where an End User makes use of the telecommunications services.
- 2.6 NEW SERVICES means functions, features or capabilities that are not currently offered by BellSouth. This includes packaging of existing services or combining a new function, feature or capability with an existing service.
- 2.7 RESALE means an activity wherein a certificated CLEC, such as <<customer_name>>, subscribes to the telecommunications services of BellSouth and then offers those telecommunications services to the public.

3. General Provisions

- 3.1 All of the negotiated rates, terms and conditions set forth in this Attachment pertain to the resale of BellSouth's retail telecommunications services and other services specified in this Attachment. Subject to effective and applicable FCC and Commission rules and orders, BellSouth shall make available to <<customer_name>> for resale those telecommunications services BellSouth makes available, pursuant to its General Subscriber Services Tariff and Private

Line Services Tariff, to customer who are not telecommunications carriers. Such services shall be available at BellSouth's tariffed rates less the discount set forth in Exhibit A to this Agreement and subject to the exclusions and limitations set forth in Exhibit B to this Agreement.

- 3.2 <<customer_name>> may purchase resale services from BellSouth for their own use in operating their business. The resale discount will apply to those services under the following conditions:
 - 3.2.1 <<customer_name>> must resell services to other End Users.
 - 3.2.2 <<customer_name>> must order services through resale interfaces, i.e., the Local Carrier Service Center (LCSC) and/or appropriate Resale Account Teams pursuant to Section 3 of the General Terms and Conditions.
 - 3.2.3 <<customer_name>> cannot be a competitive local exchange telecommunications company for the single purpose of selling to themselves.
- 3.3 <<customer_name>> will be the customer of record for all services purchased from BellSouth. Except as specified herein, BellSouth will take orders from, bill and receive payment from <<customer_name>> for said services.
- 3.4 <<customer_name>> will be BellSouth's single point of contact for all services purchased pursuant to this Agreement. BellSouth shall have no contact with the End User except to the extent provided for herein. Each Party shall provide to the other a nation wide (50 states) toll-free contact number for purposes of repair and maintenance.
- 3.5 BellSouth will continue to bill the End User for any services that the End User specifies it wishes to receive directly from BellSouth. BellSouth maintains the right to serve directly any End User within the service area of <<customer_name>>. BellSouth will continue to market directly its own telecommunications products and services and in doing so may establish independent relationships with End Users of <<customer_name>>. Neither Party shall interfere with the right of any person or entity to obtain service directly from the other Party.
 - 3.5.1 When a subscriber of <<customer_name>> or BellSouth elects to change his/her carrier to the other Party, both Parties agree to release the subscriber's service to the other Party concurrent with the due date of the service order, which shall be established based on the standard interval for the subscriber's requested service as set forth in BellSouth Product and Services Interval Guide.
 - 3.5.2 BellSouth and <<customer_name>> will refrain from contacting subscribers who have placed or whose selected carrier has placed on their behalf an order to change his/her service provider from BellSouth or <<customer_name>> to the other Party until such time that the order for service has been completed.

- 3.6 Current telephone numbers may normally be retained by the End User and are assigned to the service furnished. However, neither Party nor the End User has a property right to the telephone number or any other call number designation associated with services furnished by BellSouth, and no right to the continuance of service through any particular central office. BellSouth reserves the right to change such numbers, or the central office designation associated with such numbers, or both, whenever BellSouth deems it necessary to do so in the conduct of its business and in accordance with BellSouth practices and procedures on a nondiscriminatory basis.
- 3.7 For the purpose of the resale of BellSouth's telecommunications services by <<customer_name>>, BellSouth will provide <<customer_name>> with on line access to telephone numbers for reservation on a first come first served basis. Until December 1, 2000, such reservations of telephone numbers, on a pre-ordering basis shall be for a period of ninety (90) days. After December 1, 2000, BellSouth shall provide number reservation pursuant to the appropriate FCC rules and regulations. <<customer_name>> acknowledges that there may be instances where there is a shortage of telephone numbers in a particular Common Language Location Identifier Code (CLLIC) and in such instances BellSouth may request that <<customer_name>> cancel its reservations of numbers. <<customer_name>> shall comply with such request.
- 3.8 Further, upon <<customer_name>>'s request, and for the purpose of the resale of BellSouth's telecommunications services by <<customer_name>>, BellSouth will reserve up to 100 telephone numbers per CLLIC, for <<customer_name>>'s sole use. Until December 1, 2000, such telephone number reservations shall be valid for ninety (90) days from the reservation date. After December 1, 2000, BellSouth shall provide number reservation pursuant to the appropriate FCC rules and regulations. <<customer_name>> acknowledges that there may be instances where there is a shortage of telephone numbers in a particular CLLIC and in such instances BellSouth shall use its best efforts to reserve for a ninety (90) day period a sufficient quantity of <<customer_name>>'s reasonable need in that particular CLLIC.
- 3.9 Service is furnished subject to the condition that it will not be used for any unlawful purpose.
- 3.10 Service will be discontinued if any law enforcement agency advises that the service being used is in violation of the law.
- 3.11 BellSouth can refuse service when it has grounds to believe that service will be used in violation of the law.
- 3.12 BellSouth will cooperate with law enforcement agencies with subpoenas and court orders relating to <<customer_name>>'s End Users, pursuant to Section 7 of the General Terms and Conditions.

- 3.13 If <<customer_name>> or its End Users utilize a BellSouth resold telecommunications service in a manner other than that for which the service was originally intended as described in BellSouth's retail tariffs, <<customer_name>> has the responsibility to notify BellSouth. BellSouth will only provision and maintain said service consistent with the terms and conditions of the tariff describing said service.
- 3.14 Facilities and/or equipment utilized by BellSouth to provide service to <<customer_name>> remain the property of BellSouth.
- 3.15 White page directory listings for <<customer_name>> End Users will be provided in accordance with Section 5 of the General Terms and Conditions.
- 3.16 BellSouth provides electronic access to customer record information. Access is provided through the Local Exchange Navigation System (LENS) and the Telecommunications Access Gateway (TAG). Customer Record Information includes but is not limited to, customer specific information in CRIS and RSAG. In addition, <<customer_name>> shall provide to BellSouth access to customer record information including electronic access where available. Otherwise, upon request by BellSouth <<customer_name>> shall provide paper copies of customer record information within a reasonable period of time. Customer Record Information is equivalent to but not limited to the type of customer specific information contained in CRIS and RSAG. The Parties agree not to view, copy, or otherwise obtain access to the customer record information of any customer without that customer's permission, and further agrees that <<customer_name>> and BellSouth will obtain access to customer record information only in strict compliance with applicable laws, rules, or regulations of the State in which the service is provided.
- 3.17 All costs incurred by BellSouth to develop and implement operational interfaces shall be recovered from CLECs who utilize the interfaces. Charges for use of Operational Support Systems (OSS) shall be as set forth in Exhibit A of this Attachment.
- 3.18 Where available to BellSouth's End Users, BellSouth shall provide the following telecommunications services at a discount to allow for voice mail services:
- Message Waiting Indicator ("MWT"), stutter dialtone and message waiting light feature capabilities
 - Call Forward Busy Line ("CF/B")
 - Call Forward Don't Answer ("CF/DA")

Further, BellSouth messaging services set forth in BellSouth's Messaging Service Information Package shall be made available for resale without the wholesale discount.

- 3.19 BellSouth shall provide branding for, or shall unbrand, voice mail services for <<customer_name>> per the Bona Fide Request/New Business Request process as set forth in Section 6 of the General Terms and Conditions.
- 3.20 BellSouth's Inside Wire Maintenance Service Plan is available for resale at rates, terms and conditions as set forth by BellSouth and without the wholesale discount.
- 3.21 In the event <<customer_name>> acquires an end user whose service is provided pursuant to a BellSouth Special Assembly, BellSouth shall make available to <<customer_name>> that Special Assembly at the wholesale discount at <<customer_name>>'s option. <<customer_name>> shall be responsible for all terms and conditions of such Special Assembly including but not limited to termination liability if applicable.
- 3.22 BellSouth shall provide 911/E911 for <<customer_name>> customers in the same manner that it is provided to BellSouth customers. BellSouth shall provide and validate <<customer_name>> customer information to the PSAP. BellSouth shall use its service order process to update and maintain, on the same schedule that it uses for its customers, the <<customer_name>> customer service information in the ALI/DMS (Automatic Location Identification/Location Information) databases used to support 911/E911 services.
- 3.23 BellSouth shall bill, and <<customer_name>> shall pay, the End User line charge associated with implementing Number Portability as set forth in BellSouth's FCC No. 1 tariff. This charge is not subject to the wholesale discount.
- 3.24 Pursuant to 47 CFR Section 51.617, BellSouth will bill to <<customer_name>>, and <<customer_name>> shall pay, End User common line charges identical to the End User common line charges BellSouth bills its End Users.
- 3.25 BellSouth shall provide pre-ordering, ordering and provisioning and maintenance and repair services to <<customer_name>> that are equivalent to the pre-ordering, ordering and provisioning and maintenance and repair services BellSouth provides to itself or any other CLEC, where technically feasible. The guidelines for pre-ordering, ordering and provisioning and maintenance and repair are set forth in the various guides and business rules, as appropriate, and as they are amended from time to time during this Agreement. The guides and business rules may be referenced at the following site:

<http://www.interconnection.bellsouth.com>

4. BellSouth's Provision of Services to <<customer_name>>

4.1 Resale of BellSouth services shall be as follows:

4.1.1 The resale of telecommunications services shall be limited to users and uses conforming to the class of service restrictions.

4.1.2 Hotel and Hospital PBX services are the only telecommunications services available for resale to Hotel/Motel and Hospital End Users, respectively. Similarly, Access Line Service for Customer Provided Coin Telephones is the only local service available for resale to Payphone Service Provider (PSP) customers. Shared Tenant Service customers can only be sold those local exchange access services available in BellSouth's A23 Shared Tenant Service Tariff in the states of Florida, Georgia, North Carolina and South Carolina, and in A27 in the states of Alabama, Kentucky, Louisiana, Mississippi and Tennessee.

4.1.3 BellSouth reserves the right to periodically audit services purchased by <<customer_name>> to establish authenticity of use. Such audit shall not occur more than once in a calendar year. <<customer_name>> shall make any and all records and data available to BellSouth or BellSouth's auditors on a reasonable basis. BellSouth shall bear the cost of said audit. Any information provided by <<customer_name>> for purposes of such audit shall be deemed Confidential Information pursuant to the General Terms and Conditions of this Agreement.

4.2 Subject to Exhibit B hereto, resold services can only be used in the same manner as specified in BellSouth's Tariffs. Resold services are subject to the same terms and conditions as are specified for such services when furnished to an individual End User of BellSouth in the appropriate section of BellSouth's Tariffs. Specific tariff features (e.g. a usage allowance per month) shall not be aggregated across multiple resold services.

4.3 <<customer_name>> may resell services only within the specific service area as defined in its certificate of operation approved by the Commission.

5. Maintenance of Services

5.1 <<customer_name>> will adopt and adhere to the standards contained in the applicable BellSouth Operational Understanding regarding maintenance of service. The BellSouth Operational Understanding can be accessed via the internet @ <http://www.interconnection.bellsouth.com>.

5.2 Services resold pursuant to this Attachment and BellSouth's General Subscriber Service Tariff and Private Line Service Tariff and facilities and equipment provided by BellSouth shall be maintained by BellSouth.

- 5.3 <<customer_name>> or its End Users may not rearrange, move, disconnect, remove or attempt to repair any facilities owned by BellSouth except with the written consent of BellSouth.
- 5.4 <<customer_name>> accepts responsibility to notify BellSouth of situations that arise that may result in a service problem.
- 5.5 <<customer_name>> will contact the appropriate repair centers in accordance with procedures established by BellSouth.
- 5.6 For all repair requests, <<customer_name>> shall adhere to BellSouth's prescreening guidelines prior to referring the trouble to BellSouth.
- 5.7 BellSouth will bill <<customer_name>> for handling troubles that are found not to be in BellSouth's network pursuant to its standard time and material charges. The standard time and material charges will be no more than what BellSouth charges to its retail customers for the same services.
- 5.8 BellSouth reserves the right to contact <<customer_name>>'s End Users, if deemed necessary, for maintenance purposes.

6. Establishment of Service

- 6.1 After receiving certification as a local exchange company from the appropriate regulatory agency, <<customer_name>> will provide the appropriate BellSouth service center the necessary documentation to enable BellSouth to establish a master account for <<customer_name>>'s resold services. Such documentation shall include the Application for Master Account, proof of authority to provide telecommunications services, an Operating Company Number ("OCN") assigned by the National Exchange Carriers Association ("NECA") and a tax exemption certificate, if applicable. When necessary deposit requirements are met, as described in Section 6.6 below, BellSouth will begin taking orders for the resale of service.
- 6.1.2 Service orders will be in a standard format designated by BellSouth.
- 6.1.3 <<customer_name>> shall provide to BellSouth a blanket letter of authorization ("LOA") certifying that <<customer_name>> will have End User authorization prior to viewing the End User's customer service record or switching the End User's service. BellSouth will not require End User confirmation prior to establishing service for <<customer_name>>'s End User customer. <<customer_name>> must, however, be able to demonstrate End User authorization upon request.
- 6.1.4 BellSouth will accept a request directly from the End User for conversion of the End User's service from <<customer_name>> to BellSouth or will accept a request from another CLEC for conversion of the End User's service from

<<customer_name>> to such other CLEC. Upon completion of the conversion BellSouth will notify <<customer_name>> that such conversion has been completed.

- 6.2 Deposit Policy. When purchasing services from BellSouth, <<customer_name>> will be required to complete the BellSouth Credit Profile and provide information regarding credit worthiness. Based on the results of the credit analysis, BellSouth reserves the right to secure the account with a suitable form of security deposit.
- 6.2.1 Such security deposit shall take the form of cash, an Irrevocable Letter of Credit (BellSouth form), Surety Bond (BellSouth form) or, in sole discretion, some other form of security.
- 6.2.2 Such security deposit shall be required prior to the inauguration of service.
- 6.2.3 Security deposits collected under this Section shall not exceed two months' estimated billing.
- 6.2.4 The fact that a security deposit has been made in no way relieves <<customer_name>> from complying with BellSouth's regulations as to advance payments. Any such security deposit shall in no way release <<customer_name>> from its obligation to make complete and timely payments of its bills.
- 6.2.5 If in the sole opinion of BellSouth, circumstances so warrant and/or gross monthly billing has increased beyond the level initially used to determine the level of security, BellSouth reserves the right to request additional security and/or file a Uniform Commercial Code (UCCI) security interest in <<customer_name>>'s "accounts receivables and proceeds."
- 6.2.6 In the event <<customer_name>> fails to remit to BellSouth any deposit requested pursuant to this Section, service to <<customer_name>> may be terminated in accordance with the terms of Section 8.2 of this Attachment, and any security deposits will be applied to <<customer_name>>'s account(s).
- 6.2.7 In the event service to <<customer_name>> is terminated due to <<customer_name>>'s default on its account, any security deposits held will be applied to <<customer_name>>'s account.
- 6.2.8 Interest on a security deposit, if provided in cash, shall accrue and be paid in accordance with the terms in the appropriate BellSouth tariff.

7. Payment And Billing Arrangements

- 7.1 Prior to submitting orders to BellSouth for local service, a master account must be established for <<customer_name>>. <<customer_name>> is required to provide the following before a master account is established: proof of PSC/PUC certification, the Application for Master Account, an Operating Company Number (“OCN”) assigned by the National Exchange Carriers Association (“NECA”) and a tax exemption certificate, if applicable.
- 7.2 BellSouth shall bill <<customer_name>> on a current basis all applicable charges and credits.
- 7.3 Payment of all charges will be the responsibility of <<customer_name>>. <<customer_name>> shall make payment to BellSouth for all services billed. BellSouth is not responsible for payments not received by <<customer_name>> from <<customer_name>>'s End User. BellSouth will not become involved in billing disputes that may arise between <<customer_name>> and its End User. Payments made to BellSouth as payment on account will be credited to an accounts receivable master account and not to an End User's account.
- 7.4 BellSouth will render bills each month on established bill days for each of <<customer_name>>'s accounts.
- 7.5 BellSouth will bill <<customer_name>> in advance for all services to be provided during the ensuing billing period except charges associated with service usage, which will be billed in arrears. Charges will be calculated on an individual End User account level, including, if applicable, any charge for usage or usage allowances. BellSouth will also bill <<customer_name>>, and <<customer_name>> will be responsible for and remit to BellSouth, all charges applicable to resold services including but not limited to 911 and E911 charges, End Users common line charges, federal subscriber line charges, telecommunications relay charges (TRS), and franchise fees.
- 7.6 The payment will be due by the next bill date (i.e., same date in the following month as the bill date) and is payable in immediately available funds. Payment is considered to have been made when received by BellSouth.
- 7.6.1 If the payment due date falls on a Sunday or on a Holiday which is observed on a Monday, the payment due date shall be the first non-Holiday day following such Sunday or Holiday. If the payment due date falls on a Saturday or on a Holiday which is observed on Tuesday, Wednesday, Thursday, or Friday, the payment due date shall be the last non-Holiday day preceding such Saturday or Holiday. If payment is not received by the payment due date, a late payment charge, as set forth in section 7.8 following, shall apply.

- 7.6.2 If <<customer_name>> requests multiple billing media or additional copies of bills, BellSouth will provide these at an appropriate charge to <<customer_name>>.
- 7.6.3 Notices. Notwithstanding anything to the contrary in this Agreement, all bills and notices regarding billing matters, including notices relating to security deposits, to rejection of additional orders, from <<customer_name>> and to disconnection of services for nonpayment of charges, shall be forwarded to the individual an/or address provided by <<customer_name>> in establishment of its billing account(s) with BellSouth, or to the individual and/or address subsequently provided by <<customer_name>> as the contact for billing information. All monthly bills and notices described in this Section shall be forwarded to the same individual and/or address; provided, however, upon written notices from <<customer_name>> to BellSouth's billing organization, a final notice of disconnection of services purchased by <<customer_name>> under this Agreement shall be sent via certified mail to the individual(s) listed in the Notices provision of the General Terms and Conditions of this Agreement at least 30 days before BellSouth takes any action to terminate such services.
- 7.6.4 Billing Disputes
- 7.6.4.1 Each Party agrees to notify the other Party in writing upon the discovery of a billing dispute. In the event of a billing dispute, the Parties will endeavor to resolve the dispute within sixty (60) calendar days of the notification date. If the Parties are unable within the 60 day period to reach resolution, then the aggrieved Party may pursue dispute resolution in accordance with the General Terms and Conditions of this Agreement.
- 7.6.4.2 For purposes of this Section 7.6.3, a billing dispute means a dispute of a specific amount of money actually billed by BellSouth. The dispute must be clearly explained by the disputing Party and supported by written documentation, which clearly shows the basis for disputing charges. By way of example and not by limitation, a billing dispute will not include the refusal to pay all or part of a bill or bills when no written documentation is provided to support the dispute, nor shall a billing dispute include the refusal to pay other amounts owed by the billed Party until the dispute is resolved. Claims by the billed Party for damages of any kind will not be considered a billing dispute for purposes of this Section. Once the billing dispute is resolved, the disputing Party will make immediate payment of any of the disputed amount owed to the billing Party or the billing Party shall have the right to pursue normal treatment procedures. Any credits due to the disputing Party, pursuant to the billing dispute, will be applied to the disputing Party's account by the billing Party immediately upon resolution of the dispute.
- 7.6.4.3 If a Party disputes a charge and does not pay such charge by the payment due date, such charges shall be subject to late payment charges as set forth in the Late Payment Charges provision of this Attachment. If a Party disputes charges and

the dispute is resolved in favor of such Party, the other Party shall credit the bill of the disputing Party for the amount of the disputed charges along with any late payment charges assessed no later than the second Bill Date after the resolution of the dispute. Accordingly, if a Party disputes charges and the dispute is resolved in favor of the other Party, the disputing Party shall pay the other Party the amount of the disputed charges and any associated late payment charges assessed no later than the second bill payment due date after the resolution of the dispute. BellSouth shall only assess interest on previously assessed late payment charges in a state where it has authority pursuant to its tariffs.

- 7.7 Upon proof of tax exempt certification from <<customer_name>>, the total amount billed to <<customer_name>> will not include any taxes due from the End User to reflect the tax exempt certification and local tax laws. <<customer_name>> will be solely responsible for the computation, tracking, reporting, and payment of taxes applicable to <<customer_name>>'s End User.
- 7.8 If any portion of the payment is received by BellSouth after the payment due date as set forth preceding, or if any portion of the payment is received by BellSouth in funds that are not immediately available to BellSouth, then a late payment charge shall be due to BellSouth. The late payment charge shall be the portion of the payment not received by the payment due date times a late factor and will be applied on a per bill basis. The late factor shall be as set forth in Section A2 of the General Subscriber Services Tariff or Section B2 of the Private Line Service Tariff, as applicable. <<customer_name>> will be charged a fee for all returned checks as set forth in Section to A2 of the General Subscriber Services Tariff or in applicable state law.
- 7.9 Any switched access charges associated with interexchange carrier access to the resold local exchange lines will be billed by, and due to, BellSouth.
- 7.10 BellSouth will not perform billing and collection services for <<customer_name>> as a result of the execution of this Agreement. All requests for billing services should be referred to the appropriate entity or operational group within BellSouth.
- 7.11 In general, BellSouth will not become involved in disputes between <<customer_name>> and <<customer_name>>'s End User customers relating to resold services. If a dispute does arise that cannot be settled without the involvement of BellSouth, <<customer_name>> shall contact the designated Service Center for resolution. BellSouth will assist in the resolution of the dispute and will work with <<customer_name>> to resolve the matter in as timely a manner as possible. <<customer_name>> may be required to submit documentation to substantiate the claim.

8. Discontinuance of Service

- 8.1 The procedures for discontinuing service to an End User are as follows:
- 8.1.1 BellSouth will deny service to <<customer_name>>'s End User on behalf of, and at the request of, <<customer_name>>. Upon restoration of the End User's service, restoral charges will apply and will be the responsibility of <<customer_name>>.
- 8.1.2 At the request of <<customer_name>>, BellSouth will disconnect a <<customer_name>> End User customer.
- 8.1.3 All requests by <<customer_name>> for denial or disconnection of an End User for nonpayment must be in writing.
- 8.1.4 <<customer_name>> will be made solely responsible for notifying the End User of the proposed disconnection of the service.
- 8.1.5 BellSouth will continue to process calls made to the Annoyance Call Center and will advise <<customer_name>> when it is determined that annoyance calls are originated from one of its End User's locations. BellSouth shall be indemnified, defended and held harmless by <<customer_name>> and/or the End User against any claim, loss or damage arising from providing this information to <<customer_name>>. It is the responsibility of <<customer_name>> to take the corrective action necessary with its End Users who make annoying calls. (Failure to do so will result in BellSouth's disconnecting the End User's service.)
- 8.1.6 BellSouth may disconnect and reuse facilities when the facility is in a denied state and BellSouth has received an order to establish new service or transfer of service from an End User or an End User's CLEC at the same address served by the denied facility.
- 8.2 The procedures for discontinuing service to <<customer_name>> are as follows:
- 8.2.1 BellSouth reserves the right to suspend or terminate service in the event of prohibited, unlawful or improper use of the facilities or service, abuse of the facilities, or any other violation or noncompliance by <<customer_name>> of the rules and regulations of BellSouth's Tariffs.
- 8.2.2 BellSouth reserves the right to suspend or terminate service for nonpayment. If payment of amounts not subject to a billing dispute, as described in Section 7..6.3, is not received by the bill day in the month after the original bill day, BellSouth may provide written notice to <<customer_name>>, that additional applications for service such as access to the operational support systems for pre-ordering, ordering and provisioning of services will be refused and that any pending orders for service will not be completed if payment is not received by the fifteenth day following the date of the notice. In addition BellSouth may, at the same time,

provide written notice to the person designated by <<customer_name>> to receive notices of noncompliance that BellSouth may discontinue the provision of existing services to <<customer_name>>, if payment is not received by the thirtieth day following the date of the notice.

- 8.2.3 In the case of such discontinuance, all billed charges, as well as applicable termination charges, shall become due.
- 8.2.4 If BellSouth does not discontinue the provision of the services involved on the date specified in the thirty days notice and <<customer_name>>'s noncompliance continues, nothing contained herein shall preclude BellSouth's right to discontinue the provision of the services to <<customer_name>> without further notice.
- 8.2.5 Upon discontinuance of service on a <<customer_name>>'s account, service to <<customer_name>>'s End Users will be denied. BellSouth will also reestablish service at the request of the End User or <<customer_name>> upon payment of the appropriate connection fee and subject to BellSouth's normal application procedures. <<customer_name>> is solely responsible for notifying the End User of the proposed disconnection of the service.
- 8.2.6 If within fifteen days after an End User's service has been denied no contact has been made in reference to restoring service, the End User's service will be disconnected.

9. Line Information Database (LIDB)

- 9.1 BellSouth will store in its Line Information Database (LIDB) records relating to service only in the BellSouth region. The LIDB Storage Agreement is included in this Attachment as Exhibit C.
- 9.2 BellSouth will provide LIDB Storage upon written request to <<customer_name>>'s Account Manager stating a requested activation date.

10. RAO Hosting

- 10.1 RAO Hosting is not required for resale in the BellSouth region.

11. Optional Daily Usage File (ODUF)

- 11.1 The Optional Daily Usage File (ODUF) Agreement with terms and conditions is included in this Attachment as Exhibit D. Rates for ODUF are as set forth in Exhibit F of this Attachment.

11.2 BellSouth will provide ODUF service upon written request to its Account Manager stating a requested activation date.

12. Enhanced Optional Daily Usage File (EODUF)

12.1 The Enhanced Optional Daily Usage File (EODUF) service Agreement with terms and conditions is included in this Attachment as Exhibit E. Rates for EODUF are as set forth in Exhibit F of this Attachment.

12.2 BellSouth will provide EODUF service upon written request to its Account Manager stating a requested activation date.

APPLICABLE DISCOUNTS

The telecommunications services available for purchase by <<customer_name>> for the purposes of resale to <<customer_name>> End Users shall be available at the following discount off of the retail rate. If <<customer_name>> cancels an order for telecommunications services for the purpose of resale, any costs incurred by BellSouth in conjunction with the provisioning of that order will be recovered in accordance with the applicable sections of the GSST and the PLST.

DISCOUNT*

<u>STATE</u>	<u>RESIDENCE</u>	<u>BUSINESS</u>	<u>CSAs***</u>
ALABAMA	16.3%	16.3%	
FLORIDA	21.83%	16.81%	
GEORGIA	20.3%	17.3%	
KENTUCKY	16.79%	15.54%	
LOUISIANA	20.72%	20.72%	9.05%
MISSISSIPPI	15.75%	15.75%	
NORTH CAROLINA	21.5%	17.6%	
SOUTH CAROLINA	14.8%	14.8%	8.98%
TENNESSEE**	16%	16%	

* When a CLEC provides Resale service in a cross boundary area (areas that are part of the local serving area of another state's exchange) the rates, regulations and discounts for the tariffing state will apply. Billing will be from the serving state.

** In Tennessee, if <<customer_name>> provides its own operator services and directory services, the discount shall be 21.56%. <<customer_name>> must provide written notification to BellSouth within 30 days prior to providing its own operator services and directory services to qualify for the higher discount rate of 21.56%.

*** Unless noted in this column, the discount for Business will be the applicable discount rate for CSAs.

OPERATIONAL SUPPORT SYSTEMS (OSS) RATES

BellSouth has developed and made available the following mechanized systems by which <<customer_name>> may submit LSRs electronically.

LENS	Local Exchange Navigation System
EDI	Electronic Data Interchange
TAG	Telecommunications Access Gateway

LSRs submitted by means of one of these interactive interfaces will incur an OSS electronic ordering charge as specified in the Table below. An individual LSR will be identified for billing purposes by its Purchase Order Number (PON). LSRs submitted by means other than one of these interactive interfaces (mail, fax, courier, etc.) will incur a manual order charge as specified in the table below:

OPERATIONAL SUPPORT SYSTEMS (OSS) RATES	<u>Electronic</u> Per LSR received from the CLEC by one of the OSS interactive interfaces	<u>Manual</u> Per LSR received from the CLEC by means other than one of the OSS interactive interfaces
OSS LSR Charge	\$3.50	\$19.99
USOC	SOMECH	SOMAN

Note: In addition to the OSS charges, applicable discounted service order and related discounted charges apply per the tariff.

Denial/Restoral OSS Charge

In the event <<customer_name>> provides a list of customers to be denied and restored, rather than an LSR, each location on the list will require a separate PON and, therefore will be billed as one LSR per location.

Cancellation OSS Charge

<<customer_name>> will incur an OSS charge for an accepted LSR that is later canceled by <<customer_name>>.

Note: Supplements or clarifications to a previously billed LSR will not incur another OSS charge.

Threshold Billing Plan

<<customer_name>> will incur the mechanized rate for all LSRs, both mechanized and manual, if the percentage of mechanized LSRs to total LSRs meets or exceeds the threshold percentages shown below:

Year	Ratio: Mechanized/Total LSRs
2001	90%

The threshold plan will be discontinued in 2002.

BellSouth will track the total LSR volume for each CLEC for each quarter. At the end of that time period, a Percent Electronic LSR calculation will be made for that quarter based on the LSR data tracked in the LCSC. If this percentage exceeds the threshold volume, all of that CLEC's future manual LSRs for the following quarter will be billed at the mechanized LSR rate. To allow time for obtaining and analyzing the data and updating the billing system, this billing change will take place on the first day of the second month following the end of the quarter (e.g. May 1 for 1Q, Aug 1 for 2Q, etc.). There will be no adjustments to the amount billed for previously billed LSRs.

Exclusions and Limitations On Services Available for Resale (Note 5)

Type of Service	AL		FL		GA		KY		LA		MS		NC		SC		Resale
	Resale	Discount	Resale	Discount	Resale	Discount	Resale	Discount	Resale	Discount	Resale	Discount	Resale	Discount	Resale	Discount	
1 Grandfathered Services (Note 1)	Yes	Yes	Yes	Yes	Yes	Yes	Yes	Yes	Yes	Yes	Yes	Yes	Yes	Yes	Yes	Yes	Yes
2 Promotions - > 90 Days(Note 2)	Yes	Yes	Yes	Yes	Yes	Yes	Yes	Yes	Yes	Yes	Yes	Yes	Yes	Yes	Yes	Yes	Yes
3 Promotions - ≤ 90 Days (Note 2)	Yes	No	Yes	No	Yes	No	Yes	No	Yes	No	Yes	No	Yes	No	Yes	No	Yes
4 Lifeline/Link Up Services	Yes	Yes	Yes	Yes	Yes	Yes	Yes	Note 4	Yes	Yes	Yes	Yes	Yes	Yes	Yes	Yes	Yes
5 911/E911 Services	Yes	Yes	Yes	Yes	Yes	Yes	Yes	Yes	No	No	Yes	Yes	Yes	Yes	Yes	Yes	Yes
6 N11 Services	Yes	Yes	Yes	Yes	Yes	Yes	No	No	No	No	Yes	Yes	Yes	Yes	No	No	Yes
7 MemoryCall®Service	Yes	No	Yes	No	Yes	No	Yes	No	Yes	No	Yes	No	Yes	No	Yes	No	Yes
8 Mobile Services	Yes	No	Yes	No	Yes	No	Yes	No	Yes	No	Yes	No	Yes	No	Yes	No	Yes
9 Federal Subscriber Line Charges	Yes	No	Yes	No	Yes	No	Yes	No	Yes	No	Yes	No	Yes	No	Yes	No	Yes
10 Non-RecurCharges	Yes	Yes	Yes	Yes	Yes	Yes	Yes	Yes	Yes	Yes	Yes	Yes	Yes	Yes	Yes	Yes	Yes
11 End User Line Chg-Number Portability	Yes	No	Yes	No	Yes	No	Yes	No	Yes	No	Yes	No	Yes	No	Yes	No	Yes
12 Public Telephone Access Svc(PTAS)	Yes	Yes	Yes	Yes	Yes	Yes	Yes	Yes	Yes	Yes	Yes	Yes	Yes	Yes	Yes	No	Yes
13 Inside Wire Maint Service Plan	Yes	No	Yes	No	Yes	No	Yes	No	Yes	No	Yes	No	Yes	No	Yes	No	Yes
Applicable Notes:																	
1.	Grandfathered services can be resold only to existing subscribers of the grandfathered service.																
2.	Where available for resale, promotions will be made available only to End Users who would have qualified for the promotion had it been provided by BellSouth direct																
3.	In Tennessee, long-term promotions (offered for more than ninety (90) days) may be obtained at one of the following rates:																
	(a) the stated tariff rate, less the wholesale discount;																
	(b) the promotional rate (the promotional rate offered by BellSouth will not be discounted further by the wholesale discount rate)																
4.	Lifeline/Link Up services may be offered only to those subscribers who meet the criteria that BellSouth currently applies to subscribers of these services as set forth in A3 and A4 of the BellSouth General Subscriber Services Tariff.																
5.	Some of BellSouth's local exchange and toll telecommunications services are not available in certain central offices and areas.																

LINE INFORMATION DATA BASE (LIDB)

RESALE STORAGE AGREEMENT

I. Definitions (from Addendum)

- A. Billing number - a number used by BellSouth for the purpose of identifying an account liable for charges. This number may be a line or a special billing number.
- B. Line number - a ten-digit number assigned by BellSouth that identifies a telephone line associated with a resold local exchange service, or with a SPNP arrangement.
- C. Special billing number - a ten-digit number that identifies a billing account established by BellSouth in connection with a resold local exchange service or with a SPNP arrangement.
- D. Calling Card number - a billing number plus PIN number assigned by BellSouth.
- E. PIN number - a four digit security code assigned by BellSouth which is added to a billing number to compose a fourteen digit calling card number.
- F. Toll billing exception indicator - associated with a billing number to indicate that it is considered invalid for billing of collect calls or third number calls or both, by <<customer_name>>.
- G. Billed Number Screening - refers to the activity of determining whether a toll billing exception indicator is present for a particular billing number.
- H. Calling Card Validation - refers to the activity of determining whether a particular calling card number exists as stated or otherwise provided by a caller.
- I. Billing number information - information about billing number or Calling Card number as assigned by BellSouth and toll billing exception indicator provided to BellSouth by <<customer_name>>.

II. General

- A. This Agreement sets forth the terms and conditions pursuant to which BellSouth agrees to store in its LIDB certain information at the request of <<customer_name>> and pursuant to which BellSouth, its LIDB customers and <<customer_name>> shall have access to such information. In addition, this Agreement sets forth the terms and conditions for <<customer_name>>'s provision of billing number information to

BellSouth for inclusion in BellSouth's LIDB. <<customer_name>> understands that BellSouth provides access to information in its LIDB to various telecommunications service providers pursuant to applicable tariffs and agrees that information stored at the request of <<customer_name>>, pursuant to this Agreement, shall be available to those telecommunications service providers. The terms and conditions contained herein shall hereby be made a part of this Interconnection/Resale Agreement upon notice to <<customer_name>>'s account team to activate this LIDB Storage Agreement. The General Terms and Conditions of the Interconnection/Resale Agreement shall govern this LIDB Storage Agreement. The terms and conditions contained in the attached Addendum is hereby made a part of this LIDB Storage Agreement as if fully incorporated herein.

- B. BellSouth will provide responses to on-line, call-by-call queries to billing number information for the following purposes:
1. Billed Number Screening
 - a. BellSouth is authorized to use the billing number information to determine whether <<customer_name>> has identified the billing number as one that should not be billed for collect or third number calls.
 2. Calling Card Validation
 - a. BellSouth is authorized to validate a 14-digit Calling Card number where the first 10 digits are a line number or special billing number assigned by BellSouth, and where the last four digits (PIN) are a security code assigned by BellSouth.
 3. Fraud Control
 - a. BellSouth will provide seven days per week, 24-hours per day, fraud monitoring on Calling Cards, bill-to-third and collect calls made to numbers in BellSouth's LIDB, provided that such information is included in the LIDB query. BellSouth will establish fraud alert thresholds and will notify <<customer_name>> of fraud alerts so that <<customer_name>> may take action it deems appropriate.

III. Responsibilities of the Parties

- A. BellSouth will administer all data stored in the LIDB, including the data provided by <<customer_name>> pursuant to this Agreement, in the same manner as BellSouth's data for BellSouth's End User customers. BellSouth shall not be responsible to <<customer_name>> for any lost revenue which may result from BellSouth's administration of the LIDB pursuant to its established practices and procedures as they exist and as they may be changed by BellSouth in its sole discretion from time to time.

- B. Billing and Collection Customers

BellSouth currently has in effect numerous billing and collection agreements with various interexchange carriers and billing clearing houses and as such these billing and collection customers (“B&C Customers”) query BellSouth’s LIDB to determine whether to accept various billing options from End Users. Until such time as BellSouth implements in its LIDB and its supporting systems the means to differentiate <<customer_name>>’s data from BellSouth’s data, the following shall apply:

- (1) <<customer_name>> will accept responsibility for telecommunications services billed by BellSouth for its B&C Customers for <<customer_name>>’s End User accounts which are resident in LIDB pursuant to this Agreement. <<customer_name>> authorizes BellSouth to place such charges on <<customer_name>>’s bill from BellSouth and shall pay all such charges, including, but are not limited to, collect and third number calls.
- (2) Charges for such services shall appear on a separate BellSouth bill page identified with the name of the B&C Customers for which BellSouth is billing the charge.
- (3) <<customer_name>> shall have the responsibility to render a billing statement to its End Users for these charges, but <<customer_name>> shall pay BellSouth for the charges billed regardless of whether <<customer_name>> collects from <<customer_name>>’s End Users.
- (4) BellSouth shall have no obligation to become involved in any disputes between <<customer_name>> and B&C Customers. BellSouth will not issue adjustments for charges billed on behalf of any B&C Customer to <<customer_name>>. It shall be the responsibility of <<customer_name>> and the B&C Customers to negotiate and arrange for any appropriate adjustments.

C. SPNP ARRANGEMENTS

1. BellSouth will include billing number information associated with resold exchange lines or SPNP arrangements in its LIDB. <<customer_name>> will request any toll billing exceptions via the Local Service Request (LSR) form used to order resold exchange lines, or the SPNP service request form used to order SPNP arrangements.
2. Under normal operating conditions, BellSouth shall include the billing number information in its LIDB upon completion of the service order establishing either the resold local exchange service or the SPNP arrangement, provided that BellSouth shall not be held responsible for any delay or failure in performance to the extent such delay or failure is caused by circumstances or conditions beyond BellSouth’s reasonable control. BellSouth will store in its LIDB an unlimited volume of the working telephone numbers associated with either the resold local exchange lines or the SPNP arrangements. For resold local exchange lines or for SPNP arrangements, BellSouth will issue line-based calling cards only in the

name of <<customer_name>>. BellSouth will not issue line-based calling cards in the name of <<customer_name>>'s individual End Users. In the event that <<customer_name>> wants to include calling card numbers assigned by <<customer_name>> in the BellSouth LIDB, a separate agreement is required.

IV. Fees for Service and Taxes

- A. <<customer_name>> will not be charged a fee for storage services provided by BellSouth to <<customer_name>>, as described in Section I of this LIDB Resale Storage Agreement.
- B. Sales, use and all other taxes (excluding taxes on BellSouth's income) determined by BellSouth or any taxing authority to be due to any federal, state or local taxing jurisdiction with respect to the provision of the service set forth herein will be paid by <<customer_name>> in accordance with the tax provisions set forth in the General Terms and Conditions of this Agreement.

Optional Daily Usage File

1. Upon written request from <<customer_name>>, BellSouth will provide the Optional Daily Usage File (ODUF) service to <<customer_name>> pursuant to the terms and conditions set forth in this section.
2. <<customer_name>> shall furnish all relevant information required by BellSouth for the provision of the Optional Daily Usage File.
3. The Optional Daily Usage Feed will contain billable messages that were carried over the BellSouth Network and processed in the BellSouth Billing System, but billed to a <<customer_name>> customer.

Charges for delivery of the Optional Daily Usage File will appear on <<customer_name>>'s monthly bills. The charges are as set forth in Exhibit F to this Attachment.

4. The Optional Daily Usage Feed will contain both rated and unrated messages. All messages will be in the standard Alliance for Telecommunications Industry Solutions (ATIS) EMI record format.
5. Messages that error in <<customer_name>>'s billing system will be the responsibility of <<customer_name>>. If, however, <<customer_name>> should encounter significant volumes of errored messages that prevent processing by <<customer_name>> within its systems, BellSouth will work with the to determine the source of the errors and the appropriate resolution.
6. The following specifications shall apply to the Optional Daily Usage Feed.

6.1 **Usage To Be Transmitted**

- 6.1.1 The following messages recorded by BellSouth will be transmitted to <<customer_name>>:
 - Message recording for per use/per activation type services (examples: Three Way Calling, Verify, Interrupt, Call Return, etc.)
 - Measured billable Local
 - Directory Assistance messages
 - IntraLATA Toll

- WATS and 800 Service
- N11
- Information Service Provider Messages
- Operator Services Messages
- Operator Services Message Attempted Calls (UNE only)
- Credit/Cancel Records
- Usage for Voice Mail Message Service

6.1.2 Rated Incollects (originated in BellSouth and from other companies) can also be on Optional Daily Usage File. Rated Incollects will be intermingled with BellSouth recorded rated and unrated usage. Rated Incollects will not be packed separately.

6.1.3 BellSouth will perform duplicate record checks on records processed to Optional Daily Usage File. Any duplicate messages detected will be deleted and not sent to <<customer_name>>.

6.1.4 In the event that <<customer_name>> detects a duplicate on Optional Daily Usage File they receive from BellSouth, <<customer_name>> will drop the duplicate message (<<customer_name>> will not return the duplicate to BellSouth).

6.2 Physical File Characteristics

6.2.1 The Optional Daily Usage File will be distributed to <<customer_name>> via an agreed medium with CONNECT:Direct being the preferred transport method. The Daily Usage Feed will be a variable block format (2476) with an LRECL of 2472. The data on the Daily Usage Feed will be in a non-compacted EMI format (175 byte format plus modules). It will be created on a daily basis (Monday through Friday except holidays). Details such as dataset name and delivery schedule will be addressed during negotiations of the distribution medium. There will be a maximum of one dataset per workday per OCN.

6.2.2 Data circuits (private line or dial-up) will be required between BellSouth and <<customer_name>> for the purpose of data transmission. Where a dedicated line is required, <<customer_name>> will be responsible for ordering the circuit, overseeing its installation and coordinating the installation with BellSouth. <<customer_name>> will also be responsible for any charges associated with this line. Equipment required on the BellSouth end to attach the line to the mainframe computer and to transmit successfully ongoing will be negotiated on a case by case basis. Where a dial-up facility is required, dial circuits will be installed in the BellSouth data center by BellSouth and the associated charges assessed to <<customer_name>>. Additionally,

all message toll charges associated with the use of the dial circuit by <<customer_name>> will be the responsibility of <<customer_name>>. Associated equipment on the BellSouth end, including a modem, will be negotiated on a case by case basis between the Parties. All equipment, including modems and software, that is required on <<customer_name>> end for the purpose of data transmission will be the responsibility of <<customer_name>>.

6.3 Packing Specifications

6.3.1 A pack will contain a minimum of one message record or a maximum of 99,999 message records plus a pack header record and a pack trailer record. One transmission can contain a maximum of 99 packs and a minimum of one pack.

6.3.2 The OCN, From RAO, and Invoice Number will control the invoice sequencing. The From RAO will be used to identify to <<customer_name>> which BellSouth RAO is sending the message. BellSouth and <<customer_name>> will use the invoice sequencing to control data exchange. BellSouth will be notified of sequence failures identified by <<customer_name>> and resend the data as appropriate.

THE DATA WILL BE PACKED USING ATIS EMI RECORDS.

6.4 Pack Rejection

6.4.1 <<customer_name>> will notify BellSouth within one business day of rejected packs (via the mutually agreed medium). Packs could be rejected because of pack sequencing discrepancies or a critical edit failure on the Pack Header or Pack Trailer records (i.e. out-of-balance condition on grand totals, invalid data populated). Standard ATIS EMI Error Codes will be used. <<customer_name>> will not be required to return the actual rejected data to BellSouth. Rejected packs will be corrected and retransmitted to <<customer_name>> by BellSouth.

6.5 Control Data

<<customer_name>> will send one confirmation record per pack that is received from BellSouth. This confirmation record will indicate <<customer_name>> received the pack and the acceptance or rejection of the pack. Pack Status Code(s) will be populated using standard ATIS EMI error codes for packs that were rejected by <<customer_name>> for reasons stated in the above section.

6.6 Testing

6.6.1 Upon request from <<customer_name>>, BellSouth shall send test files to <<customer_name>> for the Optional Daily Usage File. The Parties agree to review and discuss the file's content and/or format. For testing of usage results, BellSouth shall request that <<customer_name>> set up a production (LIVE) file. The live test may consist of <<customer_name>>'s employees making test calls for the types of

services <<customer_name>> requests on the Optional Daily Usage File. These test calls are logged by <<customer_name>>, and the logs are provided to BellSouth. These logs will be used to verify the files. Testing will be completed within 30 calendar days from the date on which the initial test file was sent.

Enhanced Optional Daily Usage File

1. Upon written request from <<customer_name>>, BellSouth will provide the Enhanced Optional Daily Usage File (EODUF) service to <<customer_name>> pursuant to the terms and conditions set forth in this section. EODUF will only be sent to existing ODUF subscribers who request the EODUF option.
2. <<customer_name>> shall furnish all relevant information required by BellSouth for the provision of the Enhanced Optional Daily Usage File.
3. The Enhanced Optional Daily Usage File (EODUF) will provide usage data for local calls originating from resold Flat Rate Business and Residential Lines.
4. Charges for delivery of the Enhanced Optional Daily Usage File will appear on <<customer_name>>'s monthly bills. The charges are as set forth in Exhibit F to this Attachment.
5. All messages will be in the standard Alliance for Telecommunications Industry Solutions (ATIS) EMI record format.
6. Messages that error in the billing system of <<customer_name>> will be the responsibility of <<customer_name>>. If, however, <<customer_name>> should encounter significant volumes of errored messages that prevent processing by <<customer_name>> within its systems, BellSouth will work with <<customer_name>> to determine the source of the errors and the appropriate resolution.
7. The following specifications shall apply to the Optional Daily Usage Feed.
 - 7.1 Usage To Be Transmitted
 - 7.1.1 The following messages recorded by BellSouth will be transmitted to <<customer_name>>:

Customer usage data for flat rated local call originating from <<customer_name>>'s End User lines (1FB or 1FR). The EODUF record for flat rate messages will include:

Date of Call

From Number

To Number

Connect Time

Conversation Time

Method of Recording

From RAO

Rate Class

Message Type

Billing Indicators

Bill to Number

7.1.2 BellSouth will perform duplicate record checks on EODUF records processed to Optional Daily Usage File. Any duplicate messages detected will be deleted and not sent to <<customer_name>>.

7.1.3 In the event that <<customer_name>> detects a duplicate on Enhanced Optional Daily Usage File they receive from BellSouth, <<customer_name>> will drop the duplicate message (<<customer_name>> will not return the duplicate to BellSouth).

7.2 Physical File Characteristics

7.2.1 The Enhanced Optional Daily Usage Feed will be distributed to <<customer_name>> over their existing Optional Daily Usage File (ODUF) feed. The EODUF messages will be intermingled among <<customer_name>>'s Optional Daily Usage File (ODUF) messages. The EODUF will be a variable block format (2476) with an LRECL of 2472. The data on the EODUF will be in a non-compacted EMI format (175 byte format plus modules). It will be created on a daily basis (Monday through Friday except holidays).

7.2.2 Data circuits (private line or dial-up) may be required between BellSouth and <<customer_name>> for the purpose of data transmission. Where a dedicated line is required, <<customer_name>> will be responsible for ordering the circuit, overseeing its installation and coordinating the installation with BellSouth. <<customer_name>> will also be responsible for any charges associated with this line. Equipment required on the BellSouth end to attach the line to the mainframe computer and to transmit successfully ongoing will be negotiated on a case by case basis. Where a dial-up facility is required, dial circuits will be installed in the BellSouth data center by BellSouth and the associated charges assessed to <<customer_name>>. Additionally, all message toll charges associated with the use of the dial circuit by <<customer_name>> will be the responsibility of <<customer_name>>. Associated

equipment on the BellSouth end, including a modem, will be negotiated on a case by case basis between the Parties. All equipment, including modems and software, that is required on <<customer_name>>'s end for the purpose of data transmission will be the responsibility of <<customer_name>>.

7.3 Packing Specifications

7.3.1 A pack will contain a minimum of one message record or a maximum of 99,999 message records plus a pack header record and a pack trailer record. One transmission can contain a maximum of 99 packs and a minimum of one pack.

7.3.2 The Operating Company Number (OCN), From Revenue Accounting Office (RAO), and Invoice Number will control the invoice sequencing. The From RAO will be used to identify to <<customer_name>> which BellSouth RAO is sending the message. BellSouth and <<customer_name>> will use the invoice sequencing to control data exchange. BellSouth will be notified of sequence failures identified by <<customer_name>> and resend the data as appropriate.

THE DATA WILL BE PACKED USING ATIS EMI RECORDS.

BELLSOUTH / METROMEDIA FIBER NETWORK SERVICES RATES
ODUF/EODUF
Alabama

CATEGORY	NOTES	RATE ELEMENT	Interim	Zone	BCS	USOC	RATES				OSS RATES					
							Nonrecurring		Nonrecurring Disconnect		Svc Order Submitted Elec per LSR	Svc Order Submitted Manually per LSR	Incremental Charge - Manual Svc Order vs. Electronic-1st	Incremental Charge - Manual Svc Order vs. Electronic-Add'l	Incremental Charge - Manual Svc Order vs. Electronic-Disc 1st	Incremental Charge - Manual Svc Order vs. Electronic-Disc Add'l
							Rec	First Add'l	First Add'l	SOMEc						
ODUF/EODUF/CMD5/CNAM-Resale																
		ENHANCED OPTION DAILY USAGE FILE (EODUF)														
		EODUF: Message Processing, per message				N/A	\$0.004									
		OPTIONAL DAILY USAGE FILE (ODUF)														
		ODUF: Recording, per message				N/A	\$0.0002									
		ODUF: Message Processing, per message				N/A	\$0.0033									
		ODUF: Message Processing, per Magnetic Tape provisioned				N/A	\$55.19									
		ODUF: Data Transmission (CONNECT:DIRECT), per message				N/A	\$0.00004									
	Notes: If no rate is identified in the contract, the rate for the specific service or function will be as set forth in applicable BellSouth tariff or as negotiated by the Parties upon request by either Party.															

**BELLSOUTH / METROMEDIA FIBER NETWORK SERVICES RATES
ODUF/EODUF
FLORIDA**

CATEGORY	NOTES	RATE ELEMENT	Interim	Zone	BCS	USOC	RATES				OSS RATES						
							Rec	Nonrecurring		Nonrecurring Disconnect		Svc Order Submitted Elec per LSR	Svc Order Submitted Manually per LSR	Incremental Charge - Manual Svc Order vs. Electronic-1st	Incremental Charge - Manual Svc Order vs. Electronic-Add'l	Incremental Charge - Manual Svc Order vs. Electronic-Disc 1st	Incremental Charge - Manual Svc Order vs. Electronic-Disc Add'l
								First	Add'l	First	Add'l						
ODUF/EODUF/CMD5/CNAM-Resale																	
		ENHANCED OPTION DAILY USAGE FILE (EODUF)															
		EODUF: Message Processing, per message				N/A	\$0.004										
		OPTIONAL DAILY USAGE FILE (ODUF)															
		ODUF: Recording, per message				N/A	\$0.008										
		ODUF: Message Processing, per message				N/A	\$0.004										
		ODUF: Message Processing, per Magnetic Tape provisioned				N/A	\$54.95										
		ODUF: Data Transmission (CONNECT:DIRECT), per message				N/A	\$0.001										
Notes: If no rate is identified in the contract, the rate for the specific service or function will be as set forth in applicable BellSouth tariff or as negotiated by the Parties upon request by either Party.																	

**BELLSOUTH / METROMEDIA FIBER NETWORK SERVICES RATES
ODUF/EODUF
GEORGIA**

CATEGORY	NOTES	RATE ELEMENT	Interim	Zone	BCS	USOC	RATES				OSS RATES					
							Nonrecurring		Nonrecurring Disconnect		Svc Order Submitted Elec per LSR	Svc Order Submitted Manually per LSR	Incremental Charge - Manual Svc Order vs. Electronic-1st	Incremental Charge - Manual Svc Order vs. Electronic-Add'l	Incremental Charge - Manual Svc Order vs. Electronic-Disc 1st	Incremental Charge - Manual Svc Order vs. Electronic-Disc Add'l
							Rec	First Add'l	First Add'l	SOMEc						
ODUF/EODUF/CMD5/CNAM-Resale																
		ENHANCED OPTION DAILY USAGE FILE (EODUF)														
		EODUF: Message Processing, per message				N/A	\$0.004									
		OPTIONAL DAILY USAGE FILE (ODUF)														
		ODUF: Recording, per message				N/A	\$0.0001275									
		ODUF: Message Processing, per message				N/A	\$0.0082548									
		ODUF: Message Processing, per Magnetic Tape provisioned				N/A	\$28.85									
		ODUF: Data Transmission (CONNECT:DIRECT), per message				N/A	\$0.0000434									
	Notes: If no rate is identified in the contract, the rate for the specific service or function will be as set forth in applicable BellSouth tariff or as negotiated by the Parties upon request by either Party.															

BELLSOUTH / METROMEDIA FIBER NETWORK SERVICES
 ODUF/EODUF
 KENTUCKY

CATEGORY	NOTES	RATE ELEMENT	Interim	Zone	BCS	USOC	RATES				OSS RATES					
							Nonrecurring		Nonrecurring Disconnect		Svc Order Submitted Elec per LSR	Svc Order Submitted Manually per LSR	Incremental Charge - Manual Svc Order vs. Electronic-1st	Incremental Charge - Manual Svc Order vs. Electronic-Add'l	Incremental Charge - Manual Svc Order vs. Electronic-Disc 1st	Incremental Charge - Manual Svc Order vs. Electronic-Disc Add'l
							Rec	First	Add'l	First						
ODUF/EODUF/CMD5/CNAM-Resale																
		ENHANCED OPTION DAILY USAGE FILE (EODUF)														
		EODUF: Message Processing, per message				N/A	\$0.004									
		OPTIONAL DAILY USAGE FILE (ODUF)														
		ODUF: Recording, per message				N/A	\$0.0008611									
		ODUF: Message Processing, per message				N/A	\$0.0032357									
		ODUF: Message Processing, per Magnetic Tape provisioned				N/A	\$55.68									
		ODUF: Data Transmission (CONNECT:DIRECT), per message				N/A	\$0.0000365									
	Notes: If no rate is identified in the contract, the rate for the specific service or function will be as set forth in applicable BellSouth tariff or as negotiated by the Parties upon request by either Party.															

**BELLSOUTH / METROMEDIA FIBER NETWORK SERVICES RATES
LOUISIANA**

CATEGORY	NOTES	RATE ELEMENT	Interim	Zone	BCS	USOC	RATES				OSS RATES					
							Nonrecurring		Nonrecurring Disconnect		Svc Order Submitted Elec per LSR	Svc Order Submitted Manually per LSR	Incremental Charge - Manual Svc Order vs. Electronic-1st	Incremental Charge - Manual Svc Order vs. Electronic-Add'l	Incremental Charge - Manual Svc Order vs. Electronic-Disc 1st	Incremental Charge - Manual Svc Order vs. Electronic-Disc Add'l
							Rec	First Add'l	First Add'l	SOMEc						
ODUF/EDOUF/CMD5/CNAM-Resale																
		ENHANCED OPTION DAILY USAGE FILE (EODUF)														
		EODUF: Message Processing, per message				N/A	\$0.004									
		OPTIONAL DAILY USAGE FILE (ODUF)														
		ODUF: Recording, per message				N/A	\$0.00019									
		ODUF: Message Processing, per message				N/A	\$0.0024									
		ODUF: Message Processing, per Magnetic Tape provisioned				N/A	\$47.30									
		ODUF: Data Transmission (CONNECT:DIRECT), per message				N/A	\$0.00003									
	Notes: If no rate is identified in the contract, the rate for the specific service or function will be as set forth in applicable BellSouth tariff or as negotiated by the Parties upon request by either Party.															

**BELLSOUTH / METROMEDIA FIBER NETWORK SERVICES RATES
 ODUF/EODUF
 MISSISSIPPI**

CATEGORY	NOTES	RATE ELEMENT	Interim	Zone	BCS	USOC	RATES				OSS RATES					
							Nonrecurring		Nonrecurring Disconnect		Svc Order Submitted Elec per LSR	Svc Order Submitted Manually per LSR	Incremental Charge - Manual Svc Order vs. Electronic-1st	Incremental Charge - Manual Svc Order vs. Electronic-Add'l	Incremental Charge - Manual Svc Order vs. Electronic-Disc 1st	Incremental Charge - Manual Svc Order vs. Electronic-Disc Add'l
							Rec	First Add'l	First Add'l	SOMEc						
ODUF/EODUF/CMD5/CNAM-Resale																
		ENHANCED OPTION DAILY USAGE FILE (EODUF)														
		EODUF: Message Processing, per message				N/A	\$0.004									
		OPTIONAL DAILY USAGE FILE (ODUF)														
		ODUF: Recording, per message				N/A	\$0.0001179									
		ODUF: Message Processing, per message				N/A	\$0.0032089									
		ODUF: Message Processing, per Magnetic Tape provisioned				N/A	\$54.62									
		ODUF: Data Transmission (CONNECT:DIRECT), per message				N/A	\$0.0000354									
	Notes: If no rate is identified in the contract, the rate for the specific service or function will be as set forth in applicable BellSouth tariff or as negotiated by the Parties upon request by either Party.															

**BELLSOUTH / METROMEDIA FIBER NETWORK SERVICES RATES
ODUF/EODUF
NORTH CAROLINA**

CATEGORY	NOTES	RATE ELEMENT	Interim	Zone	BCS	USOC	RATES				OSS RATES						
							Rec	Nonrecurring		Nonrecurring Disconnect		Svc Order Submitted Elec per LSR	Svc Order Submitted Manually per LSR	Incremental Charge - Manual Svc Order vs. Electronic-1st	Incremental Charge - Manual Svc Order vs. Electronic-Add'l	Incremental Charge - Manual Svc Order vs. Electronic-Disc 1st	Incremental Charge - Manual Svc Order vs. Electronic-Disc Add'l
								First	Add'l	First	Add'l						
ODUF/EODUF/CMD5/CNAM-Resale																	
		ENHANCED OPTION DAILY USAGE FILE (EODUF)															
		EODUF: Message Processing, per message				N/A	\$0.004										
		OPTIONAL DAILY USAGE FILE (ODUF)															
		ODUF: Recording, per message				N/A	\$0.0003										
		ODUF: Message Processing, per message				N/A	\$0.0032										
		ODUF: Message Processing, per Magnetic Tape provisioned				N/A	\$54.61										
		ODUF: Data Transmission (CONNECT:DIRECT), per message				N/A	\$0.0004										
	Notes: If no rate is identified in the contract, the rate for the specific service or function will be as set forth in applicable BellSouth tariff or as negotiated by the Parties upon request by either Party.																

**BELLSOUTH / METROMEDIA FIBER NETWORK SERVICES RATES
 ODUF/EODUF
 SOUTH CAROLINA**

CATEGORY	NOTES	RATE ELEMENT	Interim	Zone	BCS	USOC	RATES				OSS RATES					
							Nonrecurring		Nonrecurring Disconnect		Svc Order Submitted Elec per LSR	Svc Order Submitted Manually per LSR	Incremental Charge - Manual Svc Order vs. Electronic-1st	Incremental Charge - Manual Svc Order vs. Electronic-Add'l	Incremental Charge - Manual Svc Order vs. Electronic-Disc 1st	Incremental Charge - Manual Svc Order vs. Electronic-Disc Add'l
							Rec	First Add'l	First Add'l	SOMEC						
ODUF/EODUF/CMD5/CNAM-Resale																
		ENHANCED OPTION DAILY USAGE FILE (EODUF)														
		EODUF: Message Processing, per message				N/A	\$0.004									
		OPTIONAL DAILY USAGE FILE (ODUF)														
		ODUF: Recording, per message				N/A	\$0.0002862									
		ODUF: Message Processing, per message				N/A	\$0.0032344									
		ODUF: Message Processing, per Magnetic Tape provisioned				N/A	\$54.72									
		ODUF: Data Transmission (CONNECT:DIRECT), per message				N/A	\$0.0000357									
	Notes: If no rate is identified in the contract, the rate for the specific service or function will be as set forth in applicable BellSouth tariff or as negotiated by the Parties upon request by either Party.															

**BELLSOUTH / METROMEDIA FIBER NETWORK SERVICES RATES
ODUF/EODUF
TENNESSEE**

CATEGORY	NOTES	RATE ELEMENT	Interim	Zone	BCS	USOC	RATES				OSS RATES								
							Rec	Nonrecurring		Nonrecurring Disconnect		Svc Order Submitted Elec per LSR	Svc Order Submitted Manually per LSR	Incremental Charge - Manual Svc Order vs. Electronic-1st	Incremental Charge - Manual Svc Order vs. Electronic-Add'l	Incremental Charge - Manual Svc Order vs. Electronic-Disc 1st	Incremental Charge - Manual Svc Order vs. Electronic-Disc Add'l		
								First	Add'l	First	Add'l							SOMEC	SOMAN
ODUF/EODUF/CMDS/CNAM-Resale																			
		OPTIONAL DAILY USAGE FILE (ODUF)																	
		ODUF: Recording, per message				N/A	\$0.0000044												
		ODUF: Message Processing, per message				N/A	\$0.0027366												
		ODUF: Message Processing, per Magnetic Tape provisioned				N/A	\$52.75												
		ODUF: Data Transmission (CONNECT:DIRECT), per message				N/A	\$0.0000339												
	Notes: If no rate is identified in the contract, the rate for the specific service or function will be as set forth in applicable BellSouth tariff or as negotiated by the Parties upon request by either Party.																		

Attachment 2

Network Elements and Other Services

TABLE OF CONTENTS

1. INTRODUCTION3

2. UNBUNDLED LOOPS4

3. HIGH FREQUENCY SPECTRUM NETWORK ELEMENT24

4. LOCAL SWITCHING28

5. UNBUNDLED NETWORK ELEMENT COMBINATIONS35

6. TRANSPORT, CHANNELIZATION AND DARK FIBER41

7. BELLSOUTH SWA 8XX TOLL FREE DIALING TEN DIGIT SCREENING SERVICE46

8. LINE INFORMATION DATABASE (LIDB).....47

9. SIGNALING49

10. OPERATOR SERVICES AND DIRECTORY ASSISTANCE SERVICES56

11. AUTOMATIC LOCATION IDENTIFICATION/DATA MANAGEMENT SYSTEM (ALI/DMS)61

12. CALLING NAME (CNAM) DATABASE SERVICE62

**13. SERVICE CREATION ENVIRONMENT AND SERVICE MANAGEMENT SYSTEM (SCE/SMS)
ADVANCED INTELLIGENT NETWORK (AIN) ACCESS63**

14. BASIC 911 AND E91164

15. OPERATORATIONAL SUPPORT SYSTEMS (OSS).....65

LIDB Storage Agreement Exhibit A

Rates Exhibit B

ACCESS TO NETWORK ELEMENTS AND OTHER SERVICES

1. Introduction

- 1.1 This Attachment sets forth rates, terms and conditions for Network Elements and combinations of Network Elements that BellSouth agrees to offer to <<customer_name>> in accordance with its obligations under Section 251(c)(3) of the Act. Additionally, this Attachment sets forth the rates, terms and conditions for other services BellSouth makes available to <<customer_name>>. The price for each Network Element and combination of Network Elements and other services are set forth in Exhibit C of this Agreement. Additionally, the provision of a particular Network Element or service may require <<customer_name>> to purchase other Network Elements or services.
- 1.2 For purposes of this Agreement, “Network Element” is defined to mean a facility or equipment <<customer_name>> used in the provision of a telecommunications service. For purposes of this Agreement, combinations of Network Elements shall be referred to as “Combinations.”
- 1.3 BellSouth shall, upon request of <<customer_name>>, and to the extent technically feasible, provide to <<customer_name>> access to its Network Elements for the provision of <<customer_name>>’s telecommunications services. If no rate is identified in this Agreement, the rate for the specific service or function will be as set forth in the applicable BellSouth tariff or as negotiated by the Parties upon request by either Party.
- 1.4 <<customer_name>> may purchase Network Elements and other services from BellSouth for the purpose of combining such network elements in any manner <<customer_name>> chooses to provide telecommunication services to its intended users, including recreating existing BellSouth services. With the exception of the sub-loop Network Elements which are located outside of the central office, BellSouth shall deliver the Network Elements purchased by <<customer_name>> to the designated <<customer_name>> collocation space.
- 1.5 BellSouth shall comply with the requirements as set forth in the technical references within this Attachment 2.
- 1.6 **Rates**
- 1.6.1 The prices that <<customer_name>> shall pay to BellSouth for Network Elements and Other Services are set forth in Exhibit B to this Attachment. If <<customer_name>> purchases a service(s) from a tariff, all terms and conditions and rates as set forth in such tariff shall apply.
- 1.6.2 **Cancellation Charges.** If <<customer_name>> cancels an order for Network Elements or other services, any costs incurred by BellSouth in conjunction with

the provisioning of that order will be recovered in accordance with FCC No. 1 Tariff, Section 5.

- 1.6.3 Expedite Charges. For expedited requests by <<customer_name>>, expedited charges will apply for intervals less than the standard interval as outlined in the BellSouth Product and Services Interval Guide. The charges as outlined in BellSouth's FCC No. 1 Tariff, Section 5, will apply.
- 1.6.4 Order cancellation and expedite charges will apply in accordance with the terms and conditions specified in Attachment 6.
- 1.6.5 If <<customer_name>> modifies an order (Order Modification Charge (OMC)) after being sent a Firm Order Confirmation (FOC) from BellSouth, any costs incurred by BellSouth to accommodate the modification will be paid by <<customer_name>> in accordance with FCC No. 1 Tariff, Section 5.
- 1.6.6 A one-month minimum billing period shall apply to all UNE conversions or new installations.

2. Unbundled Loops

2.1 General

- 2.1.1 The local loop Network Element ("Loop") is defined as a transmission facility between a distribution frame (or its equivalent) in BellSouth's central office and the loop demarcation point at an end-user customer premises, including inside wire owned by BellSouth. The local loop Network Element includes all features, functions, and capabilities of the transmission facilities, including dark fiber and attached electronics (except those used for the provision of advanced services, such as Digital Subscriber Line Access Multiplexers) and line conditioning.
- 2.1.2 The provisioning of a Loop to <<customer_name>>'s collocation space will require cross-office cabling and cross-connections within the central office to connect the Loop to a local switch or to other transmission equipment. These cross-connects are separate components, that are not considered a part of the Loop, and thus, have a separate charge.
- 2.1.3 To the extent available within BellSouth's network at a particular location, BellSouth will offer Loops capable of supporting telecommunications services. If a requested loop type is not available, and cannot be made available through BellSouth's Unbundled Loop Modification process, then <<customer_name>> can use the Special Construction process to request that BellSouth place facilities in order to meet <<customer_name>>'s loop requirements. Standard Loop intervals shall not apply to the Special Construction process.
- 2.1.4 Where facilities are available, BellSouth will install Loops in compliance with BellSouth's Products and Services Interval Guide available at the website at

<http://www.interconnection.bellsouth.com>. For orders of 15 or more Loops, the installation and any applicable Order Coordination as described below will be handled on a project basis, and the intervals will be set by the BellSouth project manager for that order. When Loops require a Service Inquiry (SI) prior to issuing the order to determine if facilities are available, the interval for the SI process is separate from the installation interval.

- 2.1.5 The Loop shall be provided to <<customer_name>> in accordance with BellSouth's TR73600 Unbundled Local Loop Technical Specification and applicable industry standard technical references.
- 2.1.6 <<customer_name>> may utilize the unbundled Loops to provide any telecommunications service it wishes, so long as such services are consistent with industry standards and BellSouth's TR73600.
- 2.1.7 BellSouth will only provision, maintain and repair the Loops to the standards that are consistent with the type of Loop ordered. In those cases where <<customer_name>> has requested that BellSouth modify a Loop so that it no longer meets the technical parameters of the original Loop type (e.g., voice grade, ISDN, ADSL, etc.) the resulting Loop will be maintained as an unbundled copper Loop (UCL), and <<customer_name>> shall pay the recurring and non-recurring charges for a UCL. For non-service specific loops (e.g. UCL, Loops modified by <<customer_name>> using the Unbundled Loop Modification (ULM) process), BellSouth will only support that the Loop has copper continuity and balanced tip-and-ring.
- 2.1.8 **Loop Testing/Trouble Reporting**
- 2.1.8.1 <<customer_name>> is responsible for testing and isolating troubles on the Loops. <<customer_name>> must test and isolate trouble to the BellSouth portion of a designed unbundled loop (e.g., UVL-SL2, UCL-D, etc.) before reporting repair to the UNE Center. At the time of the trouble report, <<customer_name>> will be required to provide the results of the <<customer_name>> test which indicate a problem on the BellSouth provided loop.
- 2.1.8.2 Once <<customer_name>> has isolated a trouble to the BellSouth provided Loop, and had issued a trouble report to BellSouth on the Loop, BellSouth will take the actions necessary to repair the Loop if a trouble actually exists. BellSouth will repair these Loops in the same time frames that BellSouth repairs similarly situated Loops to its end users.
- 2.1.8.3 If <<customer_name>> reports a trouble on a non-designed loop (e.g., UVL-SL1, UCL-ND, etc.) and no trouble actually exists, BellSouth will charge <<customer_name>> for any dispatching and testing (both inside and outside the CO) required by BellSouth in order to confirm the loop's working status.

2.1.9 <<customer_name>> may utilize the unbundled Loops to provide any telecommunications service it wishes, so long as such services are consistent with industry standards and BellSouth's TR73600.

2.1.10 **Order Coordination and Order Coordination-Time Specific**

2.1.10.1 "Order Coordination" (OC) allows BellSouth and <<customer_name>> to coordinate the installation of the SL2 Loops, Unbundled Digital Loops (UDL) and other Loops where OC may be purchased as an option, to <<customer_name>>'s facilities to limit end user service outage. OC is available when the Loop is provisioned over an existing circuit that is currently providing service to the end user. OC for physical conversions will be scheduled at BellSouth's discretion during normal working hours on the committed due date. OC shall be provided in accordance with the chart set forth below.

2.1.10.2 "Order Coordination – Time Specific" (OC-TS) allows <<customer_name>> to order a specific time for OC to take place. BellSouth will make every effort to accommodate <<customer_name>>'s specific conversion time request. However, BellSouth reserves the right to negotiate with <<customer_name>> a conversion time based on load and appointment control when necessary. This OC-TS is a chargeable option for all Loops except Unbundled Copper Loops (UCL) and Universal Digital Channel (UDC), and is billed in addition to the OC charge. <<customer_name>> may specify a time between 9:00 a.m. and 4:00 p.m. (location time) Monday through Friday (excluding holidays). If <<customer_name>> specifies a time outside this window, or selects a time or quantity of Loops that requires BellSouth technicians to work outside normal work hours, overtime charges will apply in addition to the OC and OC-TS charges. Overtime charges will be applied based on the amount of overtime worked and in accordance with the rates established in the E Access Tariff, Section E13.2, for each state. The OC-TS charges for an order due on the same day at the same location will be applied on a per Local Service Request (LSR) basis.

	Order Coordination (OC)	Order Coordination – Time Specific (OC-TS)	Test Points	DLR	Charge for Dispatch and Testing if No Trouble Found
SL-1	Chargeable Option	Chargeable Option	Not available	Chargeable Option – ordered as Engineering Information Document	Charged for Dispatch inside and outside Central Office
UCL-ND	Chargeable Option	Not Available	Not Available	Chargeable Option – ordered as Engineering Information Document	Charged for Dispatch inside and outside Central Office
SL-2	Included	Chargeable Option	Included	Included	Charged for Dispatch outside Central Office
Unbundled Digital Loop	Included	Chargeable Option (except on Universal Digital Channel)	Included (where appropriate)	Included	Charged for Dispatch outside Central Office
Unbundled Copper Loop	Chargeable in accordance with Section 2	Not available	Included	Included	Charged for Dispatch outside Central Office
For UVL-SL1 and UCLs, <<customer_name>> must order and will be billed for both OC and OC-TS if requesting OC-TS.					

2.2 **Unbundled Voice Loops (UVLs)**

2.2.1 BellSouth shall make available the following UVLs:

2.2.1.1 2-wire Analog Voice Grade Loop – SL1

2.2.1.2 2-wire Analog Voice Grade Loop – SL2

2.2.1.3 4-wire Analog Voice Grade Loop

2.2.2 Unbundled Voice Loops (UVL) may be provisioned using any type of facility that will support voice grade services. This may include loaded copper, non-loaded copper, digital loop carrier systems, fiber or a combination of any of these facilities. BellSouth, in the normal course of maintaining, repairing, and configuring its network, may also change the facilities that are used to provide any

given voice grade circuit. This change may occur at any time. In these situations, BellSouth will only ensure that the newly provided facility will support voice grade services. BellSouth will not guarantee that <<customer_name>> will be able to continue to provide any advanced services over the new facility.

BellSouth will offer UVL in two different service levels - Service Level One (SL1) and Service Level Two (SL2).

2.2.3 Unbundled Voice Loop - SL1 (UVL-SL1) loops are 2-wire loop start circuits, will be non-designed, and will not have remote access test points. OC will be offered as a chargeable option on SLI loops when reuse of existing facilities has been requested by <<customer_name>>. <<customer_name>> may also order OC-TS when a specified conversion time is requested. OC-TS is a chargeable option for any coordinated order and is billed in addition to the OC charge. An Engineering Information (EI) document can be ordered as chargeable option. The EI document provides loop make up information which is similar to the information normally provided in a Design Layout Record. Upon issuance of a non-coordinated order in the service order system, SL1 loops will be activated on the due date in the same manner and time frames that BellSouth normally activates POTS-type loops for its end users.

2.2.4 Unbundled Voice Loop – SL2 (UVL-SL2) loops may be 2-wire or 4-wire circuits, shall have remote access test points, and will be designed with a design layout record provided to <<customer_name>>. SL2 circuits can be provisioned with loop start, ground start or reverse battery signaling. OC is provided as a standard feature on SL2 loops. The OC feature will allow <<customer_name>> to coordinate the installation of the loop with the disconnect of an existing customer's service and/or number portability service. In these cases, BellSouth will perform the order conversion with standard order coordination at its discretion during normal work hours.

2.3 **Unbundled Digital Loops**

2.3.1 BellSouth will offer Unbundled Digital Loops (UDL). UDLs are service specific, will be designed, will be provisioned with test points (where appropriate), and will come standard with OC and a Design Layout Record (DLR). The various UDLs are intended to support a specific digital transmission scheme or service.

2.3.2 BellSouth shall make available the following UDLs:

2.3.2.1 2-wire Unbundled ISDN Digital Loop

2.3.2.2 2-wire Universal Digital Channel (IDSL Compatible)

2.3.2.3 2-wire Unbundled ADSL Compatible Loop

2.3.2.4 2-wire Unbundled HDSL Compatible Loop

- 2.3.2.5 4-wire Unbundled HDSL Compatible Loop
- 2.3.2.6 4-wire Unbundled DS1 Digital Loop
- 2.3.2.7 4-wire Unbundled Digital Loop/DS0 – 64 kbps, 56 kbps and below
- 2.3.2.8 DS3 Loop
- 2.3.2.9 STS-1 Loop
- 2.3.2.10 OC3 Loop
- 2.3.2.11 OC12 Loop
- 2.3.2.12 OC48 Loop
- 2.3.3 2-Wire Unbundled ISDN Digital Loops will be provisioned according to industry standards for 2-Wire Basic Rate ISDN services and will come standard with a test point, Order Coordination, and a DLR. <<customer_name>> will be responsible for providing BellSouth with a Service Profile Identifier (SPID) associated with a particular ISDN-capable loop and end user. With the SPID, BellSouth will be able to adequately test the circuit and ensure that it properly supports ISDN service. BellSouth will not reconfigure its ISDN-capable loop to support IDSL service.
 - 2.3.3.1 The Universal Digital Channel (UDC) (also known as IDSL-compatible Loop) is intended to be compatible with IDSL service and has the same physical characteristics and transmission specifications as BellSouth's ISDN-capable loop. These specifications are listed in BellSouth's TR73600.
 - 2.3.3.2 The UDC may be provisioned on copper or through a Digital Loop Carrier (DLC) system. When UDC Loops are provisioned using a DLC system, the Loops will be provisioned on time slots that are compatible with data-only services such as IDSL.
- 2.3.4 2-Wire ADSL-Compatible Loop. This is a designed loop that is provisioned according to Revised Resistance Design (RRD) criteria and may be up to 18kft long and may have up to 6kft of bridged tap (inclusive of loop length). The loop is a 2-wire circuit and will come standard with a test point, Order Coordination, and a DLR.
- 2.3.5 2-Wire or 4-Wire HDSL-Compatible Loop. This is a designed loop that is provisioned according to Carrier Serving Area (CSA) criteria and may be up to 12,000 feet long and may have up to 2,500 feet of bridged tap (inclusive of loop length). It may be a 2-wire or 4-wire circuit and will come standard with a test point, Order Coordination, and a DLR.

- 2.3.6 4-Wire Unbundled DS1 Digital Loop. This is a designed 4-wire loop that is provisioned according to industry standards for DS1 or Primary Rate ISDN services and will come standard with a test point, Order Coordination, and a DLR.
- 2.3.7 4-Wire Unbundled Digital/DS0 Loop. These are designed 4-wire loops that may be configured as 64kbps, 56kbps, 19kbps, and other sub-rate speeds associated with digital data services and will come standard with a test point, Order Coordination, and a DLR.
- 2.3.8 DS3 Loop. DS3 Loop is a two-point digital transmission path, which provides for simultaneous two-way transmission of serial, bipolar, return-to-zero isochronous digital electrical signals at a transmission rate of 44.736 megabits per second (Mbps) that is dedicated to the use of the ordering CLEC in its provisioning of local exchange and associated exchange access services. It may provide transport for twenty-eight (28) DS1 channels, each of which provides the digital equivalent of twenty-four analog voice grade channels. The interface to unbundled dedicated DS3 transport is a metallic-based electrical interface.
- 2.3.9 STS-1 Loop. STS-1 Loop is a high-capacity digital transmission path with SONET VT1.5 mapping that is dedicated for the use of the ordering customer for the purpose of provisioning local exchange and associated exchange access services. It is a two-point digital transmission path, which provides for simultaneous two-way transmission of serial bipolar return-to-zero synchronous digital electrical signals at a transmission rate of 44.736 megabits per second (Mbps). It may provide transport for twenty-eight (28) DS1 channels, each of which provides the digital equivalent of twenty-four analog voice grade channels. The interface to unbundled dedicated STS-1 transport is a metallic-based electrical interface.
- 2.3.10 OC3 Loop/OC12 Loop/OC48 Loop. OC3/OC-12/OC-48 Loops are optical two-point transmission paths that are dedicated to the use of the ordering CLEC in its provisioning of local exchange and associated exchange access services. The physical interface for all optical transport is optical fiber. This interface standard allows for transport of many different digital signals using a basic building block or base transmission rate of 51.84 megabits per second (Mbps). Higher rates are direct multiples of the base rate. The following rates are applicable: OC-3 - 155.52 Mbps; OC12 - 622.08 Mbps; and OC-48 - 2488 Mbps.
- 2.3.11 DS3 and above services come with a test point and a DLR. Mileage is airline miles, rounded up and a minimum of one mile applies. BellSouth TR 73501 LightGate[®]Service Interface and Performance Specifications, Issue D, June 1995 applies to DS3 and above services.
- 2.4 **Unbundled Copper Loops (UCL)**

2.4.1 BellSouth shall make available Unbundled Copper Loops (UCLs). The UCL is a copper twisted pair Loop that is unencumbered by any intervening equipment (e.g., filters, load coils, range extenders, digital loop carrier, or repeaters) and is not intended to support any particular telecommunications service. The UCL will be offered in two types – Designed and Non-Designed.

2.4.2 **Unbundled Copper Loop – Designed (UCL-D)**

2.4.2.1 The UCL-D will be provisioned as a dry copper twisted pair loop that is unencumbered by any intervening equipment (e.g., filters, load coils, range extenders, digital loop carrier, or repeaters). The UCL-D will be offered in two versions - Short and Long.

2.4.2.2 A short UCL-D (18,000 feet or less) is provisioned according to Resistance Design parameters, may have up to 6,000 feet of bridged tap and will have up to 1300 ohms of resistance.

2.4.2.3 The long UCL-D (beyond 18,000 feet) is provisioned as a dry copper twisted pair longer than 18,000 feet and may have up to 12,000 feet of bridged tap and up to 2800 ohms of resistance.

2.4.2.4 The UCL-D is a designed circuit, is provisioned with a test point and comes standard with a DLR. OC is required on UCLs where a reuse of existing facilities has been requested by <<customer_name>>.

2.4.2.5 These loops are not intended to support any particular services and may be utilized by the <<customer_name>> to provide a wide-range of telecommunications services so long as those services do not adversely affect BellSouth's network. This facility will include a Network Interface Device (NID) at the customer's location for the purpose of connecting the loop to the customer's inside wire.

2.4.2.6 BellSouth will make available the following UCL-Ds:

2.4.2.6.1 2-Wire UCL-D/short

2.4.2.6.2 2-Wire UCL-D/long

2.4.2.6.3 4-Wire UCL-D/short

2.4.2.6.4 4-Wire UCL-D/long

2.4.3 **Unbundled Copper Loop – Non-Designed (UCL-ND)**

2.4.3.1 The UCL-ND is provisioned as a dedicated 2-wire metallic transmission facility from BellSouth's Main Distribution Frame to a customer's premises (including the NID). The UCL-ND will be a "dry copper" facility in that it will not have any

intervening equipment such as load coils, repeaters, or digital access main lines (“DAMLs”), and may have up to 6,000 feet of bridged tap between the end user’s premises and the serving wire center. The UCL-ND typically will be 1300 Ohms resistance and in most cases will not exceed 18,000 feet in length, although the UCL-ND will not have a specific length limitation. For loops less than 18,000 feet and with less than 1300 Ohms resistance, the loop will provide a voice grade transmission channel suitable for loop start signaling and the transport of analog voice grade signals. The UCL-ND will not be designed and will not be provisioned with either a design layout record or a test point.

- 2.4.3.2 The UCL-ND facilities may be mechanically assigned using BellSouth’s assignment systems. Therefore, the Loop Make Up process is not required to order and provision the UCL-ND. However, <<customer_name>> can request Loop Make Up for which additional charges would apply.
- 2.4.3.3 At an additional charge, BellSouth also will make available Loop Testing so that <<customer_name>> may request further testing on the UCL-ND.
- 2.4.3.4 UCL-ND loops are not intended to support any particular service and may be utilized by <<customer_name>> to provide a wide-range of telecommunications services so long as those services do not adversely affect BellSouth’s network. The UCL-ND will include a Network Interface Device (NID) at the customer’s location for the purpose of connecting the loop to the customer’s inside wire.
- 2.4.3.5 Order Coordination (OC) will be provided as a chargeable option and may be utilized when the UCL-ND provisioning is associated with the reuse of BellSouth facilities. Order Coordination -Time Specific (OC-TS) does not apply to this product.
- 2.4.3.6 <<customer_name>> may use BellSouth’s Unbundled Loop Modification (ULM) offering to remove bridge tap and/or load coils from any loop within the BellSouth network. Therefore, some loops that would not qualify as UCL-ND could be transformed into loops that do qualify, using the ULM process.

2.5 **Unbundled Loop Modifications (Line Conditioning)**

- 2.5.1 Line Conditioning is defined as the removal from the Loop of any devices that may diminish the capability of the Loop to deliver high-speed switched wireline telecommunications capability, including xDSL service. Such devices include, but are not limited to, load coils, bridged taps, low pass filters, and range extenders.
- 2.5.2 BellSouth shall condition Loops, as requested by <<customer_name>>, whether or not BellSouth offers advanced services to the End User on that Loop.
- 2.5.3 In some instances, <<customer_name>> will require access to a copper twisted pair loop unfettered by any intervening equipment (e.g., filters, load coils, range

extenders, etc.), so that <<customer_name>> can use the loop for a variety of services by attaching appropriate terminal equipment at the ends. <<customer_name>> will determine the type of service that will be provided over the loop. BellSouth's Unbundled Loop Modifications (ULM) process will be used to determine the costs and feasibility of conditioning the loops as requested. Rates for ULM are as set forth in Exhibit C of this Attachment 2.

- 2.5.4 In those cases where <<customer_name>> has requested that BellSouth modify a Loop so that it no longer meets the technical parameters of the original Loop type (e.g., voice grade, ISDN, ADSL, etc.) the resulting modified Loop will be ordered and maintained as a UCL.
- 2.5.5 The Unbundled Loop Modifications (ULM) offering provides the following elements: 1) removal of devices on 2-wire or 4-wire Loops equal to or less than 18,000 feet; 2) removal of devices on 2-wire or 4-wire Loops longer than 18,000 feet; and 3) removal of bridged-taps on loops of any length.
- 2.5.6 <<customer_name>> shall request Loop make up information pursuant to this Attachment prior to submitting a service inquiry and/or a LSR for the Loop type that <<customer_name>> desires BellSouth to condition.

2.6 **Loop Provisioning Involving Integrated Digital Loop Carriers**

- 2.6.1 Where <<customer_name>> has requested an Unbundled Loop and BellSouth uses Integrated Digital Loop Carrier (IDLC) systems to provide the local service to the end user and BellSouth has a suitable alternate facility available, BellSouth will make such alternative facilities available to <<customer_name>>. If a suitable alternative facility is not available, then to the extent it is technically feasible, BellSouth will make alternative arrangements available to <<customer_name>> (e.g. hairpinning).
- 2.6.2 BellSouth will select one of the following arrangements:
1. Roll the circuit(s) from the IDLC to any spare copper that exists to the customer premises.
 2. Roll the circuit(s) from the IDLC to an existing DLC that is not integrated.
 3. If capacity exists, provide "side-door" porting through the switch.
 4. If capacity exists, provide "DACS-door" porting (if the IDLC routes through a DACS prior to integration into the switch).
- 2.6.3 Arrangements 3 and 4 above require the use of a designed circuit. Therefore, non-designed loops such as the SL1 voice grade and UCL-ND may not be ordered in these cases.
- 2.6.4 If no alternate facility is available, BellSouth will utilize its Special Construction (SC) process to determine the additional costs required to provision the loop

facilities. <<customer_name>> will then have the option of paying the one-time SC rates to place the loop.

2.7 **Network Interface Device (NID)**

2.7.1 The NID is defined as any means of interconnection of end-user customer premises wiring to BellSouth's distribution plant, such as a cross-connect device used for that purpose. The NID is a single-line termination device or that portion of a multiple-line termination device required to terminate a single line or circuit at the premises. The NID features two independent chambers or divisions that separate the service provider's network from the end user's customer-premises wiring. Each chamber or division contains the appropriate connection points or posts to which the service provider and the end user each make their connections. The NID provides a protective ground connection and is capable of terminating cables such as twisted pair cable.

2.7.1.1 BellSouth shall permit <<customer_name>> to connect <<customer_name>>'s Loop facilities the end-user's customer-premises wiring through the BellSouth NID or at any other technically feasible point.

2.7.2 **Access to NID**

2.7.2.1 <<customer_name>> may access the end user's customer-premises wiring by any of the following means and <<customer_name>> shall not disturb the existing form of electrical protection and shall maintain the physical integrity of the NID:

2.7.2.1.1 1) BellSouth shall allow <<customer_name>> to connect its loops directly to BellSouth's multi-line residential NID enclosures that have additional space and are not used by BellSouth or any other telecommunications carriers to provide service to the premises. ;

2.7.2.1.2 2) Where an adequate length of the end user's customer premises wiring is present and environmental conditions permit, either Party may remove the customer premises wiring from the other Party's NID and connect such wiring to that Party's own NID;

2.7.2.1.3 3) Enter the subscriber access chamber or dual chamber NID enclosures for the purpose of extending a connect divisioned or spliced jumper wire from the customer premises wiring through a suitable "punch-out" hole of such NID enclosures; or

2.7.2.1.4 4) Request BellSouth to make other rearrangements to the end user customer premises wiring terminations or terminal enclosure on a time and materials cost basis.

2.7.2.2 In no case shall either Party remove or disconnect the other Party's loop facilities from either Party's NIDs, enclosures, or protectors unless the applicable

Commission has expressly permitted the same and the disconnecting Party provides prior notice to the other Party. In such cases, it shall be the responsibility of the Party disconnecting loop facilities to leave undisturbed the existing form of electrical protection and to maintain the physical integrity of the NID. It will be <<customer_name>>'s responsibility to ensure there is no safety hazard and will hold BellSouth harmless for any liability associated with the removal of the BellSouth loop from the BellSouth NID. Furthermore, it shall be the responsibility of the disconnecting Party, once the other Party's loop has been disconnected from the NID, to reconnect the disconnected loop to a nationally recognized testing laboratory listed station protector, which has been grounded as per Article 800 of the National Electrical Code. If no spare station protector exists in the NID, the disconnected loop must be appropriately cleared, capped and stored.

2.7.2.3 In no case shall either Party remove or disconnect ground wires from BellSouth's NIDs, enclosures, or protectors.

2.7.2.4 In no case shall either Party remove or disconnect NID modules, protectors, or terminals from BellSouth's NID enclosures.

2.7.2.5 Due to the wide variety of NID enclosures and outside plant environments, BellSouth will work with <<customer_name>> to develop specific procedures to establish the most effective means of implementing this section if the procedures set forth herein do not apply to the NID in question.

2.7.3 Technical Requirements

2.7.3.1 The NID shall provide an accessible point of interconnection and shall maintain a connection to ground.

2.7.3.2 If an existing NID is accessed, it shall be capable of transferring electrical analog or digital signals between the end user's customer premises and the Distribution Media and/or cross connect to <<customer_name>>'s NID.

2.7.3.3 Existing BellSouth NIDS will be provided in "as is" condition. <<customer_name>> may request BellSouth do additional work to the NID on a time and material basis. When <<customer_name>> deploys its own local loops with respect to multiple-line termination devices, <<customer_name>> shall specify the quantity of NIDs connections that it requires within such device.

2.8 **Sub-loop Elements**

2.8.1 Where facilities permit, BellSouth shall offer access to its Unbundled Sub Loop (USL) and Unbundled Sub-loop Concentration (USLC) System.

2.8.2 **Unbundled Sub-Loop Distribution**

- 2.8.2.1 The unbundled sub-loop distribution facility is a dedicated transmission facility that BellSouth provides from an end user's point of demarcation to a BellSouth cross-connect device. The BellSouth cross-connect device may be located within a remote terminal (RT) or a stand-alone cross-box in the field or in the equipment room of a building. The unbundled sub-loop distribution media is a copper twisted pair that can be provisioned as a 2 Wire or 4 Wire facility. BellSouth will make the following available sub-loop distribution offerings where facilities permit:
- Unbundled Sub-Loop Distribution – Voice Grade
 - Unbundled Copper Sub-Loop
 - Unbundled Sub-Loop Distribution – Intrabuilding Network Cable (aka riser cable)
- 2.8.2.2 Unbundled Sub-Loop Distribution – Voice Grade (USLD-VG) is a sub-loop facility from the cross-box in the field up to and including the point of demarcation, at the end user's premises and may have load coils.
- 2.8.2.3 Unbundled Copper Sub-Loop (UCSL) is a copper facility of any length provided from the cross-box in the field up to and including the end-user's point of demarcation. If available, this facility will not have any intervening equipment such as load coils between the end-user and the cross-box.
- 2.8.2.4 If <<customer_name>> requests a UCSL and it is not available, <<customer_name>> may request the Sub-Loop facility be modified pursuant to the ULM process request to remove load coils and/or bridged taps. If load coils and/or bridged taps are removed, the facility will be classified as a UCSL.
- 2.8.2.5 Unbundled Sub-Loop Distribution – Intrabuilding Network Cable (USLD-INC) is the distribution facility inside a building or between buildings on the same continuous property which is not separated by a public street or road. USLD-INC includes the facility from the cross-connect device in the building equipment room up to and including the point of demarcation, at the end user's premises.
- 2.8.2.6 BellSouth will install a cross connect panel in the building equipment room for the purpose of accessing USLD-INC pairs from a building equipment room. The cross-connect panel will function as a single point of interconnection (SPOI) for USLD-INC and will be accessible by multiple carriers as space permits. BellSouth will place cross-connect blocks in 25-pair increments for <<customer_name>>'s use on this cross-connect panel. <<customer_name>> will be responsible for connecting its facilities to the 25-pair cross-connect block(s).
- 2.8.2.7 Unbundled Sub-Loop distribution facilities shall support functions associated with provisioning, maintenance and testing of the Unbundled Sub-Loop. For access to Voice Grade USL-D and UCSL, <<customer_name>> shall install a cable to the BellSouth cross-box pursuant to the terms and conditions for physical collocation for remote sites set forth in this Agreement. This cable would be connected by a

BellSouth technician within the BellSouth cross-box during the set-up process. <<customer_name>>'s cable pairs can then be connected to BellSouth's USL within the BellSouth cross-box by the BellSouth technician.

- 2.8.2.8 Through the Service Inquiry (SI) process, BellSouth will determine whether access to Unbundled Sub-Loops at the location requested by <<customer_name>> is technically feasible and whether sufficient capacity exists in the cross-box. If existing capacity is sufficient to meet <<customer_name>>'s request, then BellSouth will perform the site set-up as described in the section that follows. If any work must be done to modify existing BellSouth facilities or add new facilities (other than adding the cross-connect panel in a building equipment room as noted in the section that follows) to accommodate <<customer_name>>'s request for Unbundled Sub-Loops, <<customer_name>> may request BellSouth's Special Construction (SC) process to determine additional costs required to provision the Unbundled Sub-Loops. <<customer_name>> will have the option to proceed under the SC process to modify the BellSouth facilities.
- 2.8.2.9 The site set-up must be completed before <<customer_name>> can order sub-loop pairs. For the site set-up in a BellSouth cross-connect box in the field, BellSouth will perform the necessary work to splice <<customer_name>>'s cable into the cross-connect box. For the site set-up inside a building equipment room, BellSouth will perform the necessary work to install the cross-connect panel and the connecting block(s) that will be used to provide access to the requested USLs.
- 2.8.2.10 Once the site set-up is complete, the <<customer_name>> will request sub-loop pairs through submission of a Local Service Request (LSR) form to the Local Carrier Service Center (LCSC). Order Coordination is required with USL pair provisioning when <<customer_name>> requests reuse of an existing facility and is in addition to the USL pair rate. For expedite requests by <<customer_name>> for sub-loop pairs, expedite charges will apply for intervals less than 5 days.
- 2.8.2.11 Unbundled Sub-Loops will be provided in accordance with technical reference TR73600.
- 2.8.3 **Unbundled Network Terminating Wire (UNTW)**
- 2.8.3.1 Unbundled Network Terminating Wire (UNTW) is unshielded twisted copper wiring that is used to extend circuits from an intra-building network cable terminal or from a building entrance terminal to an individual customer's point of demarcation. It is the final portion of the Loop which, in multi-subscriber configurations, represents the point at which the network branches out to serve individual subscribers.
- 2.8.3.2 This element will be provided in Multi-Dwelling Units (MDUs) and/or Multi-Tenants Units (MTUs) where BellSouth owns wiring all the way to the end-users premises. BellSouth will not provide this element in those locations where the

property owner provides its own wiring to the end-user's premises, where a third party owns the wiring to the end-user's premises or where the property owner will not allow BellSouth to place its facilities to the end user.

2.8.3.3 Requirements

- 2.8.3.3.1 On a multi-unit premises, upon request of the other Party ("Requesting Party"), the Party owning the network terminating wire will provide access to UNTW pairs on an Access Terminal that is suitable for use by multiple carriers at each Garden Terminal or Wiring Closet.
- 2.8.3.3.2 The Provisioning Party shall not be required to install new or additional NTW beyond existing NTW to provision the services of the Requesting Party.
- 2.8.3.3.3 Upon receipt of the UNTW Service Inquiry (SI) requesting access to the Provisioning Party's UNTW pairs at a multi-unit premises, representatives of both Parties will participate in a meeting at the site of the requested access. The purpose of the site visit will include discussion of the procedures for installation and location of the Access Terminals. By request of the Requesting Party, an Access Terminal will be installed either adjacent to each Provisioning Party's Garden Terminal or inside each Wiring Closet. Requesting Party will deliver and connect its central office facilities to the UNTW pairs within the Access Terminal. Requesting Party may access any available pair on an Access Terminal. A pair is available when a pair is not being utilized to provide service or where the end user has requested a change in its local service provider to the Requesting Party. Prior to connecting Requesting Party's service on a pair previously used by Provisioning Party, Requesting Party is responsible for ensuring the end-user is no longer using Provisioning Party's service or another <<customer_name>>'s service before accessing UNTW pairs.
- 2.8.3.3.4 Access Terminal installation intervals will be established on an individual case basis.
- 2.8.3.3.5 Requesting Party is responsible for obtaining the property owner's permission for Provisioning Party to install an Access Terminal(s) on behalf of the Requesting Party. The submission of the SI by the Requesting Party will serve as certification by the Requesting Party that such permission has been obtained. If the property owner objects to Access Terminal installations that are in progress or subsequent to completion and demands removal of Access Terminals, Requesting Party will be responsible for costs associated with removing Access Terminals and restoring property to its original state prior to Access Terminals being installed.
- 2.8.3.3.6 The Requesting Party shall indemnify and hold harmless the Provisioning Party against any claims of any kind that may arise out of the Requesting Party's future to obtain the property owner's permission. Requesting Party will be billed for non-recurring and recurring charges for accessing UNTW pairs at the time the

Requesting Party activates the pair(s). The Requesting Party will notify the Provisioning Party each time it activates UNTW pairs using the LSR form.

- 2.8.3.3.7 Requesting Party will isolate and report troubles in the manner specified by the Provisioning Party. Requesting Party must tag the UNTW pair that requires repair. If Provisioning Party dispatches a technician on a reported trouble call and no UNTW trouble is found, Provisioning Party will charge Requesting Party for time spent on the dispatch and testing the UNTW pair(s).
- 2.8.3.3.8 If Requesting Party initiates the Access Terminal installation and the Requesting Party has not activated at least one pair on the Access Terminal installed pursuant to Requesting Party's request for an Access Terminal within 6 months of installation of the Access Terminal, Provisioning Party will bill Requesting Party a non-recurring charge equal to the actual cost of provisioning the Access Terminal.
- 2.8.3.3.9 If Provisioning Party determines that Requesting Party is using the UNTW pairs without reporting the activation of the pairs, the following charges shall apply:
 - 2.8.3.3.9.1 If Requesting Party issued a LSR to disconnect an end-user from Provisioning Party in order to use a UNTW pair, Requesting Party will be billed for the use of the pair back to the disconnect order date.
 - 2.8.3.3.9.2 If Requesting Party activated a UNTW pair on which Provisioning Party was not previously providing service, Requesting Party will be billed for the use of that pair back to the date the end-user began receiving service using that pair. Upon request, Requesting Party will provide copies of its billing record to substantiate such date. If Requesting Party fails to provide such records, then Provisioning Party will bill the Requesting Party back to the date of the Access Terminal installation.
- 2.8.4 **Unbundled Sub-Loop Feeder**
 - 2.8.4.1 Unbundled Sub-Loop Feeder (USLF) provides connectivity between BellSouth's central office and cross-box (or other access point) that serves an end user location.
 - 2.8.4.2 USLF utilized for voice traffic can be configured as 2-wire voice (USLF-2W/V) or 4-wire voice (USLF-4W/V).
 - 2.8.4.3 USLF utilized for digital traffic can be configured as 2-wire ISDN (USLF-2W/I); 2-wire Copper (USLF-2W/C); 4-wire Copper (USLF-4W/C); 4-wire DS0 level loop (USLF-4W/D0); or 4-wire DS1 and ISDN (USLF-4W/DI).
 - 2.8.4.4 USLF will provide access to both the equipment and the features in the BellSouth central office and BellSouth cross box necessary to provide a 2W or 4W communications pathway from the BellSouth central office to the BellSouth

cross-box. This element will allow for the connection of <<customer_name>>'s loop distribution elements onto BellSouth's feeder system.

2.8.4.5 Requirements

2.8.4.5.1 <<customer_name>> will extend a compatible cable to BellSouth's cross-box. BellSouth will connect the cable to a panel inside the BellSouth cross-box to the requested level of feeder element. In those cases when there is no room in the BellSouth cross-box to accommodate the additional cross-connect panels mentioned above, BellSouth will utilize its Special Construction process to determine the costs to provide the sub-loop feeder element to <<customer_name>>. <<customer_name>> will then have the option of paying the special construction charges or canceling the order.

2.8.4.5.2 USLF will be a designed circuit and BellSouth will provide a Design Layout Record (DLR) for this element.

2.8.4.5.3 BellSouth will provide USLF elements in accordance with applicable industry standards for these types of facilities. Where industry standards do not exist, BellSouth's TR73600 will be used to determine performance parameters.

2.8.5 **Unbundled Loop Concentration (ULC)**

2.8.5.1 BellSouth will provide to <<customer_name>> Unbundled Loop Concentration (ULC). Loop concentration systems in the central office concentrate the signals transmitted over local loops onto a digital loop carrier system. The concentration device is placed inside a BellSouth central office. BellSouth will offer ULC with a TR008 interface or a TR303 interface.

2.8.5.2 ULC will be offered in two system options. System A will allow up to 96 BellSouth loops to be concentrated onto two or more DS1s. The high-speed connection from the concentrator will be at the electrical DS1 level and will connect to <<customer_name>> at <<customer_name>>'s collocation site. System B will allow up to 192 BellSouth loops to be concentrated onto 4 or more DS1s. System A may be upgraded to a System B. A minimum of two DS1s is required for each system (i.e., System A requires two DS1s and System B would require an additional two DS1s or four in total). All DS1 interfaces will terminate to the <<customer_name>>'s collocation space. ULC service is offered with concentration (2 DS1s for 96 channels) or without concentration (4 DS1s for 96 channels) and with or without protection. A Loop Interface element will be required for each loop that is terminated onto the ULC system.

2.8.6 **Unbundled Sub-Loop Concentration (USLC)**

2.8.6.1 Where facilities permit, <<customer_name>> may concentrate its sub-loops onto multiple DS1s back to the BellSouth Central Office.

2.8.6.2 USLC, using the Lucent Series 5 equipment, will be offered in two system options. System A will allow up to 96 of <<customer_name>>'s sub-loops to be concentrated onto two or more DS1s. System B will allow an additional 96 of <<customer_name>>'s sub-loops to be concentrated onto two or more additional DS1s. One System A may be supplemented with one System B and they both must be physically located in a single Series 5 dual channel bank. A minimum of two DS1s is required for each system (i.e., System A requires two DS1s and System B would require an additional two DS1s or four in total). The DS1 level facility that connects the Remote Terminal site with the serving wire center is known as a Feeder Interface. All DS1 Feeder Interfaces will terminate to the <<customer_name>>'s demarcation point associated with <<customer_name>>'s collocation space within the SWC that serves the RT. USLC service is offered with or without concentration and with or without a protection DS1.

2.8.6.3 <<customer_name>> is required to deliver its sub-loops to its own cross-box, remote terminal (RT), or other similar device and deliver a single cable to the BellSouth RT. This cable shall be connected, by a BellSouth technician, to a cross-connect panel within the BellSouth RT/cross-box and shall allow <<customer_name>>'s sub-loops to be placed on the ULSC and transported to <<customer_name>>'s collocation space at a DS1 level.

2.8.7 **Dark Fiber Loop**

2.8.7.1 Dark Fiber Loop is an unused optical transmission facility without attached signal regeneration, multiplexing, aggregation or other electronics that connects two points within BellSouth's network. Dark Fiber Loops may be strands of optical fiber existing in aerial or underground structure. BellSouth will not provide line terminating elements, regeneration or other electronics necessary for <<customer_name>> to utilize Dark Fiber Loops.

2.8.7.2 A Dark Fiber Loop is a point to point arrangement from an end user's premises connected via a cross connect to the demarcation point associated with <<customer_name>>'s collocation space in the end user's serving wire center.

2.8.7.3 Dark Fiber Loop rates are differentiated between Local Channel, Interoffice Channel and Local Loop.

2.8.7.4 Requirements

2.8.7.4.1 BellSouth shall make available Dark Fiber Loop where it exists in BellSouth's network and where, as a result of future building or deployment, it becomes available. Dark Fiber Loop will not be deemed available if: (1) it is used by BellSouth for maintenance and repair purposes; (2) it is designated for use pursuant to a firm order placed by another customer; (3) it is restricted for use by all carriers, including BellSouth, because of transmission problems or because it is scheduled for removal due to documented changes to roads and infrastructure; or

(4) BellSouth has plans to use the fiber within a two-year planning period. BellSouth is not required to place the fiber for Dark Fiber Loop if none is available.

- 2.8.7.4.2 If the requested Dark Fiber Loop has any lightwave repeater equipment interspliced to it, BellSouth will remove such equipment at <<customer_name>>'s request subject to time and materials charges.
- 2.8.7.4.3 <<customer_name>> is solely responsible for testing the quality of the Dark Fiber to determine its usability and performance specifications.
- 2.8.7.4.4 BellSouth shall use its commercially reasonable efforts to provide to <<customer_name>> information regarding the location, availability and performance of Dark Fiber Loop within ten (10) business days after receiving a Service Inquiry ("SI") from <<customer_name>>.
- 2.8.7.4.5 If the requested Dark Fiber Loop is available, BellSouth shall use commercially reasonable efforts to provision the Dark Fiber Loop to <<customer_name>> within twenty (20) business days after <<customer_name>> submits a valid, error free LSR. Provisioning includes identification of appropriate connection points (e.g., Light Guide Interconnection (LGX) or splice points) to enable <<customer_name>> to connect or splice <<customer_name>> provided transmission media (e.g., optical fiber) or equipment to the Dark Fiber Loop.
- 2.8.7.4.6 <<customer_name>> may splice at the end points and test Dark Fiber Loop obtained from BellSouth using <<customer_name>> or <<customer_name>> designated personnel. BellSouth shall provide appropriate interfaces to allow splicing and testing of Dark Fiber Loop. For fiber in underground conduit, BellSouth shall provide a minimum of 25 feet of excess cable to allow the uncoiled fiber to reach from the manhole to a splicing van.

2.9 **Loop Makeup (LMU)**

2.9.1 Description of Service

- 2.9.1.1 BellSouth shall make available to <<customer_name>> (LMU) information so that <<customer_name>> can make an independent judgment about whether the Loop is capable of supporting the advanced services equipment <<customer_name>> intends to install and the services <<customer_name>> wishes to provide.
- 2.9.1.2 BellSouth will provide <<customer_name>> LMU information consisting of the composition of the loop material (copper/fiber); the existence, location and type of equipment on the Loop, including but not limited to digital loop carrier or other remote concentration devices, feeder/distribution interfaces, bridged taps, load coils, pair-gain devices; the loop length; the wire gauge and electrical parameters.

- 2.9.1.3 BellSouth's LMU information is provided to <<customer_name>> as it exists either in BellSouth's databases or in its hard copy facility records. BellSouth does not guarantee accuracy or reliability of the LMU information provided.
- 2.9.1.4 <<customer_name>> may choose to use equipment that it deems will enable it to provide a certain type and level of service over a particular BellSouth Loop. The determination shall be made solely by <customer_name>> and BellSouth shall not be liable in any way for the performance of the advanced data services provisioned over said Loop. The specific Loop type (ADSL, HDSL, or otherwise) ordered on the LSR must match the LMU of the loop requested taking into consideration any requisite line conditioning. The LMU data is provided for informational purposes only and does not guarantee <<customer_name>>'s ability to provide advanced data services over the ordered loop type. Further, if <<customer_name>> orders loops that are not intended to support advanced services (such as UV-SL1, UV-SL2, or ISDN compatible loops) and that are not inventoried as advanced services loops, the LMU information for such loops is subject to change at any time due to modifications and/or upgrades to BellSouth's network. <<customer_name>> is fully responsible for any of its service configurations that may differ from BellSouth's technical standard for the loop type ordered.

2.9.2 **Submitting Loop Makeup Service Inquiries**

- 2.9.2.1 <<customer_name>> may obtain LMU information by submitting a LMU Service Inquiry (LMUSI) mechanically or manually. Mechanized LMUSIs should be submitted through BellSouth's Operational Support Systems interfaces. After obtaining the Loop from the mechanized LMUSI process, if <<customer_name>> needs further loop information in order to determine loop service capability, <<customer_name>> may initiate a separate Manual Service Inquiry for a separate nonrecurring charge as set forth in the rate exhibit for Attachment 2.
- 2.9.2.2 Manual LMUSIs shall be submitted by electronic mail to BellSouth's Complex Resale Support Group (CRSG)/Account Team utilizing the Preordering Loop Makeup Service Inquiry form. The service interval for the return of a Loop Makeup Manual Service Inquiry is seven business days. Manual LMUSIs are not subject to expedite requests. This service interval is distinct from the interval applied to the subsequent service order.

2.9.3 **Loop Reservations**

- 2.9.3.1 For a Mechanized LMUSI, <customer_name>> may reserve up to ten Loop facilities. For a Manual LMUSI, <<customer_name>> may reserve up to three Loop facilities.
- 2.9.3.2 <<customer_name>> may reserve facilities for up to four (4) calendar days for each facility requested on a LMUSI from the time the LMU information is

returned to <customer_name>>. During and prior to <<customer_name>> placing an LSR, the reserved facilities are rendered unavailable to other customers, including BellSouth. If <<customer_name>> does not submit an LSR for a UNE service on a reserved facility within the four-day reservation timeframe, the reservation of that spare facility will become invalid and the facility will be released.

2.9.3.3 Charges for preordering LMUSI are separate from any charges associated with ordering other services from BellSouth.

2.9.4 **Ordering of Other UNE Services**

2.9.4.1 All LSRs issued for reserved facilities shall reference the facility reservation number as provided by BellSouth. <<customer_name>> will not be billed any additional LMU charges for the loop ordered on such LSR. If, however, <<customer_name>> does not reserve facilities upon an initial LMUSI, <<customer_name>> will be required to submit and pay for an additional LMUSI upon ordering.

2.9.4.2 Where <<customer_name>> has reserved multiple Loop facilities on a single reservation, <<customer_name>> may not specify which facility shall be provisioned when submitting the LSR. For those occasions, BellSouth will assign to <<customer_name>>, subject to availability, a facility that meets the BellSouth technical standards of the BellSouth type Loop as ordered by <<customer_name>>. If the ordered Loop type is not available, <<customer_name>> may utilize the Unbundled Loop Modification process or the Special Construction process, as applicable, to obtain the Loop type ordered.

3. High Frequency Spectrum Network Element

3.1 General

3.1.1 BellSouth shall provide <<customer_name>> access to the high frequency portion of the local loop as an unbundled network element only where BellSouth is the voice service provider to the end user (“High Frequency Spectrum”) at the rates set forth in this Attachment.

3.1.2 The High Frequency Spectrum is defined as the frequency range above the voiceband on a copper loop facility carrying analog circuit-switched voiceband transmissions. Access to the High Frequency Spectrum is intended to allow <<customer_name>> the ability to provide Digital Subscriber Line (“xDSL”) data services to the end user for which BellSouth provides voice services. The High Frequency Spectrum shall be available for any version of xDSL complying with Spectrum Management Class 5 of ANSI T1.417, *American National Standard for Telecommunications, Spectrum Management for Loop Transmission Systems*. BellSouth will continue to have access to the low frequency portion of the loop

spectrum (from 300 Hertz to at least 3000 Hertz, and potentially up to 3400 Hertz, depending on equipment and facilities) for the purposes of providing voice service. <<customer_name>> shall only use xDSL technology that is within the PSD mask for Spectrum Management Class 5 as found in the above-mentioned document.

- 3.1.3 Access to the High Frequency Spectrum requires an unconditioned, 2-wire copper Loop. An unloaded Loop is a copper Loop with no load coils, low-pass filters, range extenders, DAMLs, or similar devices and minimal bridged taps consistent with ANSI T1.413 and T1.601. BellSouth will provide Loop conditioning to <<customer_name>> in accordance with the Unbundled Loop Modification process set forth in Section 2.2 of this Attachment. BellSouth is not required to condition a Loop for access to the High Frequency spectrum if conditioning of that Loop significantly degrades BellSouth's voice service. If <<customer_name>> requests that BellSouth condition a Loop longer than 18,000 ft. and such conditioning significantly degrades the voice services on the Loop, <<customer_name>> shall pay for the Loop to be restored to its original state.

3.2 **Provisioning of High Frequency Spectrum and Splitter Space**

- 3.2.1 BellSouth will provide <<customer_name>> with access to the High Frequency Spectrum as follows:

- 3.2.1.1 To order High Frequency Spectrum on a particular Loop, <<customer_name>> must have a Digital Subscriber Line Access Multiplexer (DSLAM) collocated in the central office that serves the end-user of such Loop. <<customer_name>> may order splitters in a central office once it has installed its DSLAM in that central office. BellSouth will install splitters within forty-two (42) calendar days of <<customer_name>>'s submission of such order to the BellSouth Complex Resale Support Group; provided, however, that in the event BellSouth did not have reasonable notice that a particular central office was to have a splitter installed therein, the forty-two (42) day interval shall not apply. Collocation itself or an application for collocation will serve as reasonable notice.
- 3.2.1.2 Once a splitter is installed on behalf of <<customer_name>> in a central office in which <<customer_name>> is located, <<customer_name>> shall be entitled to order the High Frequency Spectrum on lines served out of that central office. BellSouth will bill and <<customer_name>> shall pay the electronic or manual ordering charges as applicable when <<customer_name>> orders High Frequency Spectrum for end-user service.
- 3.2.1.3 BellSouth will select, purchase, install, and maintain a central office POTS splitter and provide <<customer_name>> access to data ports on the splitter. The splitter will route the High Frequency Spectrum on the circuit to <<customer_name>>'s xDSL equipment in <<customer_name>>'s collocation space. At least 30 days before making a change in splitter suppliers, BellSouth will provide

<<customer_name>> with a carrier notification letter, informing <<customer_name>> of change. <<customer_name>> shall purchase ports on the splitter in increments of 24 ports.

3.2.1.4 BellSouth will install the splitter in (i) a common area close to the <<customer_name>> collocation area, if possible; or (ii) in a BellSouth relay rack as close to the <<customer_name>> DS0 termination point as possible. <<customer_name>> shall have access to the splitter for test purposes, regardless of where the splitter is placed in the BellSouth premises. For purposes of this section, a common area is defined as an area in the central office in which both Parties have access to a common test access point. A Termination Point is defined as the point of termination for <<customer_name>> on the toll main distributing frame in the central office and is not the demarcation point set forth in Attachment 4 of this Agreement. BellSouth will cross-connect the splitter data ports to a specified <<customer_name>> DS0 at such time that a <<customer_name>> end user's service is established.

3.2.1.5 The High Frequency Spectrum shall only be available on Loops on which BellSouth is also providing, and continues to provide, analog voice service directly to the end user. In the event the end-user terminates its BellSouth provided voice service for any reason, or in the event BellSouth disconnects the end user's voice service pursuant to its tariffs or applicable law, and <<customer_name>> desires to continue providing xDSL service on such Loop, <<customer_name>> shall be required to purchase a full stand-alone Loop unbundled network element. To the extent commercially practicable, BellSouth shall give <<customer_name>> notice in a reasonable time prior to disconnect, which notice shall give <<customer_name>> an adequate opportunity to notify BellSouth of its intent to purchase such Loop. In those cases in which BellSouth no longer provides voice service to the end user and <<customer_name>> purchases the full stand-alone Loop, <<customer_name>> may elect the type of loop it will purchase. <<customer_name>> will pay the appropriate recurring and non-recurring rates for such Loop as set forth in Exhibit C to this Attachment. In the event <<customer_name>> purchases a voice grade Loop, <<customer_name>> acknowledges that such Loop may not remain xDSL compatible.

3.2.1.6 Only one competitive local exchange carrier shall be permitted access to the High Frequency Spectrum of any particular loop.

3.2.2 **Ordering**

3.2.2.1 BellSouth will provide <<customer_name>> the Local Service Request ("LSR") format to be used when ordering the High Frequency Spectrum.

3.2.2.2 BellSouth will return a manual Firm Order Confirmation ("FOC") in no more than two (2) business days after receipt of a valid, error free manual LSR. When

<<customer_name>> submits an electronic LSR for High Frequency Spectrum, BellSouth will return a FOC in four (4) hours ninety-five percent (95%) of the time, or, for orders that do not flow-through, in two (2) business days. BellSouth will provide <<customer_name>> with access to the High Frequency Spectrum at the following target intervals:

3.2.2.3 For 1-5 lines at the same address within three (3) business days from BellSouth's issuance of a FOC; 6-10 lines at same address within 5 business days from BellSouth's issuance of a FOC; and more than 10 lines at the same address is to be negotiated.

3.2.2.4 BellSouth will provide to <<customer_name>> BellSouth's Loop Qualification System that BellSouth uses to qualify loops for its own ADSL offering.

3.2.2.5 BellSouth will provide <<customer_name>> access to Preordering Loop Makeup (LMU), in accordance with the terms of this Agreement. BellSouth shall bill and <<customer_name>> shall pay the rates for such services, as described in Exhibit C.

3.2.2.6 BellSouth shall test the data portion of the loop to ensure the continuity of the wiring for <<customer_name>>'s data.

3.2.3 **Maintenance and Repair**

3.2.3.1 <<customer_name>> shall have access for repair and maintenance purposes, to any loop for which it has access to the High Frequency Spectrum. <<customer_name>> may access the loop at the point where the combined voice and data signal exits the central office splitter.

3.2.3.2 BellSouth will be responsible for repairing voice services and the physical line between the network interface device at the customer's premises and the Termination Point. <<customer_name>> will be responsible for repairing data services. Each Party will be responsible for maintaining its own equipment.

3.2.3.3 <<customer_name>> shall inform its end users to direct data problems to <<customer_name>>, unless both voice and data services are impaired, in which event the end users should call BellSouth.

3.2.3.4 Once a Party has isolated a trouble to the other Party's portion of the loop, the Party isolating the trouble shall notify the end user that the trouble is on the other Party's portion of the Loop.

3.2.3.5 In the event <<customer_name>>'s deployment of xDSL on the High Frequency Spectrum significantly degrades the performance of other advanced services or of BellSouth's voice service on the same loop, BellSouth shall notify <<customer_name>> and allow twenty-four (24) hours to cure the trouble. If

<<customer_name>> fails to resolve the trouble, BellSouth may discontinue <<customer_name>>'s access to the High Frequency Spectrum on such loop.

3.2.4 **Line Splitting.**

3.2.4.1 BellSouth will work cooperatively with CLECs to develop rates, methods and procedures to operationalize a process whereby two CLECs, one being a provider of voice services (a "Voice CLEC") and the other being a provider of data services (a "Data CLEC") may provide services over the same loop. The loop and port over which the services are provided cannot be a loop and port combination (i.e., UNE-P), but must be individual, stand alone network elements. The Voice CLEC or the Data CLEC shall be responsible for connecting the loop and port to a CLEC-owned splitter. BellSouth shall not own or maintain the splitter used for this purpose. When such rates, methods and procedures have been developed and operationalized, then at the request of <<customer_name>>, the Parties shall amend this Agreement to incorporate the same.

4. **Local Switching**

4.1 BellSouth shall provide non-discriminatory access to local circuit switching capability and local tandem switching capability on an unbundled basis, except as set forth in the Sections below to <<customer_name>> for the provision of a telecommunications service. BellSouth shall provide non-discriminatory access to packet switching capability on an unbundled basis to <<customer_name>> for the provision of a telecommunications service only in the limited circumstance described below in Section 4.4.

4.2 **Local Circuit Switching Capability, including Tandem Switching Capability**

4.2.1 Local circuit switching capability is defined as: (A) line-side facilities, which include, but are not limited to, the connection between a loop termination at a main distribution frame and a switch line card; (B) trunk-side facilities, which include, but are not limited to, the connection between trunk termination at a trunk-side cross-connect panel and a switch trunk card; (C) switching provided by remote switching modules; and (D) all features, functions, and capabilities of the switch, which include, but are not limited to: (1) the basic switching function of connecting lines to lines, line to trunks, trunks to lines, and trunks to trunks, as well as the same basic capabilities made available to BellSouth's customers, such as a telephone number, white page listings, and dial tone; and (2) all other features that the switch is capable of providing, including but not limited to customer calling, customer local area signaling service features, and Centrex, as well as any technically feasible customized routing functions provided by the switch. Any features that are not currently available but are technically feasible through the switch can be requested through the NBR/BFR process.

- 4.2.2 Notwithstanding BellSouth's general duty to unbundle local circuit switching, BellSouth shall not be required to unbundle local circuit switching for <<customer_name>> when <<customer_name>> serves an end-user with four (4) or more voice-grade (DS-0) equivalents or lines served by BellSouth in one of the following MSAs: Atlanta, GA; Miami, FL; Orlando, FL; Ft. Lauderdale, FL; Charlotte-Gastonia-Rock Hill, NC; Greensboro-Winston Salem-High Point, NC; Nashville, TN; and New Orleans, LA, and BellSouth has provided non-discriminatory cost based access to the Enhanced Extended Link (EEL) throughout Density Zone 1 as determined by NECA Tariff No. 4 as in effect on January 1, 1999.
- 4.2.3 In the event that <<customer_name>> orders local circuit switching for an end user with four (4) or more 2-wire voice-grade loops from a BellSouth central office in an MSA listed above, BellSouth shall charge <<customer_name>> the market based rates in Exhibit B for use of the local circuit switching functionality for the affected facilities.
- 4.2.4 Unbundled Local Switching consists of three separate unbundled elements: Unbundled Ports, End Office Switching Functionality, and End Office Interoffice Trunk Ports.
- 4.2.5 Unbundled Local Switching combined with Common Transport and, if necessary, Tandem Switching provides to <<customer_name>>'s end user local calling and the ability to presubscribe to a primary carrier for intraLATA and/or to presubscribe to a primary carrier for interLATA toll service.
- 4.2.6 Provided that <<customer_name>> purchases unbundled local switching from BellSouth and uses the BellSouth CIC for its end users' LPIC or if a BellSouth local end user selects BellSouth as its LPIC, then the Parties will consider as local any calls originated by an <<customer_name>> local end user, or originated by a BellSouth local end user and terminated to an <<customer_name>> local end user, where such calls originate and terminate in the same LATA, except for those calls originated and terminated through switched access arrangements (i.e., calls that are transported by a party other than BellSouth). For such calls, BellSouth will charge <<customer_name>> the UNE elements for the BellSouth facilities utilized. Neither Party shall bill the other originating or terminating switched access charges for such calls. Intercarrier compensation for local calls between BellSouth and <<customer_name>> shall be as described in BellSouth's UNE Local Call Flows set forth on BellSouth's web site.
- 4.2.7 Where <<customer_name>> purchases unbundled local switching from BellSouth but does not use the BellSouth CIC for its end users' LPIC, BellSouth will consider as local those direct dialed telephone calls that originate from an <<customer_name>> end user and terminate within the basic local calling area or within the extended local calling areas and that are dialed using 7 or 10 digits as defined and specified in Section A3 of BellSouth's General Subscriber Services

Tariffs. For such local calls, BellSouth will charge <<customer_name>> the UNE elements for the BellSouth facilities utilized. Intercarrier compensation for local calls between BellSouth and <<customer_name>> shall be as described in BellSouth's UNE Local Call Flows set forth on BellSouth's web site.

- 4.2.8 For any calls that originate and terminate through switched access arrangements (i.e., calls that are transported by a party other than BellSouth), BellSouth shall bill <<customer_name>> the UNE elements for the BellSouth facilities utilized. Each Party may bill the toll provider originating or terminating switched access charges, as appropriate.
- 4.2.9 Reverse billed toll calls, such as intraLATA 800 calls, calling card calls and third party billed calls, where BellSouth is the carrier shall also be considered as local calls and <<customer_name>> shall not bill BellSouth originating or terminating switched access for such calls.
- 4.2.10 **Unbundled Port Features**
- 4.2.10.1 Charges for Unbundled Port are as set forth in Exhibit B, and as specified in such exhibit, may or may not include individual features.
- 4.2.10.2 Where applicable and available, non-switch-based services may be ordered with the Unbundled Port at BellSouth's retail rates.
- 4.2.10.3 Any features that are not currently available but are technically feasible through the switch can be requested through the BFR/NBR process.
- 4.2.10.4 BellSouth will provide to <<customer_name>> selective routing of calls to a requested Operator System platform pursuant to Section 10 of Attachment 2. Any other routing requests by <<customer_name>> will be made pursuant to the BFR/NBR Process as set forth in General Terms and Conditions.
- 4.2.11 **Provision for Local Switching**
- 4.2.11.1 BellSouth shall perform routine testing (e.g., Mechanized Loop Tests (MLT) and test calls such as 105, 107 and 108 type calls) and fault isolation on a mutually agreed upon schedule.
- 4.2.11.2 BellSouth shall control congestion points such as those caused by radio station call-ins, and network routing abnormalities. All traffic shall be restricted in a non-discriminatory manner.
- 4.2.11.3 BellSouth shall perform manual call trace and permit customer originated call trace. BellSouth shall provide Switching Service Point (SSP) capabilities and signaling software to interconnect the signaling links destined to the Signaling Transfer Point Switch (STPS). These capabilities shall adhere to the technical specifications set forth in the applicable industry standard technical references.

4.2.11.4 BellSouth shall provide interfaces to adjuncts through Telcordia standard interfaces. These adjuncts can include, but are not limited to, the Service Circuit Node and Automatic Call Distributors. BellSouth shall offer to <<customer_name>> all AIN triggers in connection with its SMS/SCE offering.

4.2.11.5 BellSouth shall provide access to SS7 Signaling Network or Multi-Frequency trunking if requested by <<customer_name>>.

4.2.12 **Local Switching Interfaces.**

4.2.12.1 <<customer_name>> shall order ports and associated interfaces compatible with the services it wishes to provide, as listed in Exhibit C. BellSouth shall provide the following local switching interfaces:

4.2.12.1.1 Standard Tip/Ring interface including loopstart or groundstart, on-hook signaling (e.g., for calling number, calling name and message waiting lamp);

4.2.12.1.2 Coin phone signaling;

4.2.12.1.3 Basic Rate Interface ISDN adhering to appropriate Telcordia Technical Requirements;

4.2.12.1.4 Two-wire analog interface to PBX;

4.2.12.1.5 Four-wire analog interface to PBX;

4.2.12.1.6 Four-wire DS1 interface to PBX or customer provided equipment (e.g. computers and voice response systems);

4.2.12.1.7 Primary Rate ISDN to PBX adhering to ANSI standards Q.931, Q.932 and appropriate Telcordia Technical Requirements;

4.2.12.1.8 Switched Fractional DS1 with capabilities to configure Nx64 channels (where N = 1 to 24); and

4.2.12.1.9 Loops adhering to Telcordia TR-NWT-08 and TR-NWT-303 specifications to interconnect Digital Loop Carriers.

4.3 **Tandem Switching**

4.3.1 The Tandem Switching capability Network Element is defined as: (i) trunk-connect facilities, which include, but are not limited to, the connection between trunk termination at a cross connect panel and switch trunk card; (ii) the basic switch trunk function of connecting trunks to trunks; and (iii) the functions that are centralized in the Tandem Switches (as distinguished from separate end office switches), including but not limited to call recording, the routing of calls to operator services and signaling conversion features.

- 4.3.2 Technical Requirements
- 4.3.2.1 Tandem Switching shall have the same capabilities or equivalent capabilities as those described in Telcordia TR-TSY-000540 Issue 2R2, Tandem Supplement, 6/1/90. The requirements for Tandem Switching include, but are not limited to the following:
- 4.3.2.1.1 Tandem Switching shall provide signaling to establish a tandem connection;
- 4.3.2.1.2 Tandem Switching will provide screening as jointly agreed to by <<customer_name>> and BellSouth;
- 4.3.2.1.3 Tandem Switching shall provide Advanced Intelligent Network triggers supporting AIN features where such routing is not available from the originating end office switch, to the extent such Tandem switch has such capability;
- 4.3.2.1.4 Tandem Switching shall provide access to Toll Free number database;
- 4.3.2.1.5 Tandem Switching shall provide connectivity to PSAPs where 911 solutions are deployed and the tandem is used for 911; and
- 4.3.2.1.6 Where appropriate, Tandem Switching shall provide connectivity for the purpose of routing transit traffic to and from other carriers.
- 4.3.2.2 BellSouth may perform testing and fault isolation on the underlying switch that is providing Tandem Switching. Such testing shall be testing routinely performed by BellSouth. The results and reports of the testing shall be made available to <<customer_name>>.
- 4.3.2.3 BellSouth shall control congestion points and network abnormalities. All traffic will be restricted in a non-discriminatory manner.
- 4.3.2.4 Tandem Switching shall process originating toll-free traffic received from <<customer_name>>'s local switch.
- 4.3.2.5 In support of AIN triggers and features, Tandem Switching shall provide SSP capabilities when these capabilities are not available from the Local Switching Network Element, to the extent such Tandem Switch has such capability.
- 4.3.3 Upon <<customer_name>>'s purchase of overflow trunk groups, Tandem Switching shall provide an alternate routing pattern for <<customer_name>>'s traffic overflowing from direct end office high usage trunk groups.
- 4.4 **AIN Selective Carrier Routing for Operator Services, Directory Assistance and Repair Centers**

- 4.4.1 BellSouth will provide AIN Selective Carrier Routing at the request of <<customer_name>>. AIN Selective Carrier Routing will provide <<customer_name>> with the capability of routing operator calls, 0+ and 0- and 0+ NPA (LNPA) 555-1212 directory assistance, 1+411 directory assistance and 611 repair center calls to pre-selected destinations.
- 4.4.2 <<customer_name>> shall order AIN Selective Carrier Routing through its Account Team. AIN Selective Carrier Routing must first be established regionally and then on a per central office, per state basis.
- 4.4.3 AIN Selective Carrier Routing is not available in DMS 10 switches.
- 4.4.4 Where AIN Selective Carrier Routing is utilized by <<customer_name>>, the routing of <<customer_name>>'s end user calls shall be pursuant to information provided by <<customer_name>> and stored in BellSouth's AIN Selective Carrier Routing Service Control Point database. AIN Selective Carrier Routing shall utilize a set of Line Class Codes (LCCs) unique to a basic class of service assigned on an 'as needed' basis. The same LCCs will be assigned in each central office where AIN Selective Carrier Routing is established.
- 4.4.5 Upon ordering of AIN Selective Carrier Routing Regional Service, <<customer_name>> shall remit to BellSouth the Regional Service Order non-recurring charges set forth in Exhibit C of this Attachment. There shall be a non-recurring End Office Establishment Charge per office due at the addition of each central office where AIN Selective Carrier Routing will be utilized. Said non-recurring charge shall be as set forth in Exhibit C of this Attachment. For each <<customer_name>> end user activated, there shall be a non-recurring End User Establishment charge as set forth in Exhibit C of this Attachment. <<customer_name>> shall pay the AIN Selective Carrier Routing Per Query Charge set forth in Exhibit C of this Attachment.
- 4.4.6 This Regional Service Order non-recurring charge will be non-refundable and will be paid with 1/2 due up-front with the submission of all fully completed required forms, including: Regional Selective Carrier Routing (SCR) Order Request-Form A, Central Office AIN Selective Carrier Routing (SCR) Order Request - Form B, AIN_SCR Central Office Identification Form - Form C, AIN_SCR Routing Options Selection Form - Form D, and Routing Combinations Table - Form E. BellSouth has 30 days to respond to <<customer_name>>'s fully completed firm order as a Regional Service Order. With the delivery of this firm order response to <<customer_name>>, BellSouth considers that the delivery schedule of this service commences. The remaining 1/2 of the Regional Service Order payment must be paid when at least 90% of the Central Offices listed on the original order have been turned up for the service.

- 4.4.7 The non-recurring End Office Establishment Charge will be billed to <<customer_name>> following BellSouth's normal monthly billing cycle for this type of order.
- 4.4.8 End-User Establishment Orders will not be turned-up until the second payment is received for the Regional Service Order. The non-recurring End-User Establishment Charges will be billed to <<customer_name>> following BellSouth's normal monthly billing cycle for this type of order.
- 4.4.9 Additionally, the AIN Selective Carrier Routing Per Query Charge will be billed to <<customer_name>> following the normal billing cycle for per query charges.
- 4.4.10 All other network components needed, for example, unbundled switching and unbundled local transport, etc, will be billed per contracted rates.

4.5 **Packet Switching Capability**

- 4.5.1 The packet switching capability network element is defined as the function of routing or forwarding packets, frames, cells or other data units based on address or other routing information contained in the packets, frames, cells or other data units.
- 4.5.2 BellSouth shall be required to provide non-discriminatory access to unbundled packet switching capability only where each of the following conditions are satisfied:
- 4.5.2.1 BellSouth has deployed digital loop carrier systems, including but not limited to, integrated digital loop carrier or universal digital loop carrier systems; or has deployed any other system in which fiber optic facilities replace copper facilities in the distribution section (e.g., end office to remote terminal, pedestal or environmentally controlled vault);
- 4.5.2.2 There are no spare copper loops capable of supporting the xDSL services <<customer_name>> seeks to offer;
- 4.5.2.3 BellSouth has not permitted <<customer_name>> to deploy a DSLAM at the remote terminal, pedestal or environmentally controlled vault or other interconnection point, nor has <<customer_name>> obtained a virtual collocation arrangement at these sub-loop interconnection points as defined by 47 CFR § 51.319 (b); and
- 4.5.2.4 BellSouth has deployed packet switching capability for its own use.
- 4.5.3 If there is a dispute as to whether BellSouth must provide Packet Switching, such dispute will be resolved according to the dispute resolution process set forth in Section 12 of the General Terms and Conditions of this Agreement, incorporated herein by this reference.

4.6 **Interoffice Transmission Facilities**

- 4.6.1 BellSouth shall provide nondiscriminatory access, in accordance with FCC Rule 51.311 and Section 251(c)(3) of the Act, to interoffice transmission facilities on an unbundled basis to <<customer_name>> for the provision of a telecommunications service.

5. Unbundled Network Element Combinations

- 5.1 Unbundled Network Element Combinations shall include: 1) Enhanced Extended Links (EELs); 2) Other Non-Switched Combinations; 3) UNE Loop/Special Access Combinations; and 4) UNE Loop/Port Combinations.
- 5.2 For purposes of this Section, references to “Currently Combined” network elements shall mean that such network elements are in fact already combined by BellSouth in the BellSouth network to provide service to a particular end user at a particular location.

5.3 **Enhanced Extended Links (EELs)**

- 5.3.1 Where facilities permit and where necessary to comply with an effective FCC and/or State Commission order, or as otherwise mutually agreed by the Parties, BellSouth shall offer access to loop and transport combinations, also known as the Enhanced Extended Link (“EEL”) as defined in Section 5.3.2 below.
- 5.3.2 Subject to Section 5.3.3 below, BellSouth will provide access to the EEL in the combinations set forth in Section 5.3.4 following. This offering is intended to provide connectivity from an end user’s location through that end user’s SWC to <<customer_name>>’s POP serving wire center. The circuit must be connected to <<customer_name>>’s switch for the purpose of provisioning telephone exchange service to <<customer_name>>’s end-user customers. The EEL will be connected to <<customer_name>>’s facilities in <<customer_name>>’s collocation space at the POP SWC, or <<customer_name>> may purchase BellSouth’s access facilities between <<customer_name>>’s POP and <<customer_name>>’s collocation space at the POP SWC.
- 5.3.3 BellSouth shall provide EEL combinations to <<customer_name>> in Georgia and Tennessee regardless of whether or not such EELs are Currently Combined. In all other states, BellSouth shall make available to <<customer_name>> those EEL combinations described in Section 5.3.4 below only to the extent such combinations are Currently Combined. Furthermore, BellSouth will make available new EEL combinations to <<customer_name>> in density Zone 1, as defined in 47 CFR 69.123 as of January 1, 1999, in the Atlanta, GA; Miami, FL; Orlando, FL; Ft. Lauderdale, FL; Charlotte-Gastonia-Rock Hill, NC; Greensboro-Winston Salem-High Point, NC; Nashville, TN; and New Orleans, LA, MSAs.

Except as stated above, EELs will be provided to <<customer_name>> only to the extent such network elements are Currently Combined.

5.3.4 **EEL Combinations**

- 5.3.4.1 DS1 Interoffice Channel + DS1 Channelization + 2-wire VG Local Loop
- 5.3.4.2 DS1 Interoffice Channel + DS1 Channelization + 4-wire VG Local Loop
- 5.3.4.3 DS1 Interoffice Channel + DS1 Channelization + 2-wire ISDN Local Loop
- 5.3.4.4 DS1 Interoffice Channel + DS1 Channelization + 4-wire 56 kbps Local Loop
- 5.3.4.5 DS1 Interoffice Channel + DS1 Channelization + 4-wire 64 kbps Local Loop
- 5.3.4.6 DS1 Interoffice Channel + DS1 Local Loop
- 5.3.4.7 DS3 Interoffice Channel + DS3 Local Loop
- 5.3.4.8 STS-1 Interoffice Channel + STS-1 Local Loop
- 5.3.4.9 DS3 Interoffice Channel + DS3 Channelization + DS1 Local Loop
- 5.3.4.10 STS-1 Interoffice Channel + DS3 Channelization + DS1 Local Loop
- 5.3.4.11 2-wire VG Interoffice Channel + 2-wire VG Local Loop
- 5.3.4.12 4wire VG Interoffice Channel + 4-wire VG Local Loop
- 5.3.4.13 4-wire 56 kbps Interoffice Channel + 4-wire 56 kbps Local Loop
- 5.3.4.14 4-wire 64 kbps Interoffice Channel + 4-wire 64 kbps Local Loop

5.3.5 **Special Access Service Conversions**

- 5.3.5.1 <<customer_name>> may not convert special access services to combinations of loop and transport network elements, whether or not <<customer_name>> self-provides its entrance facilities (or obtains entrance facilities from a third party), unless <<customer_name>> uses the combination to provide a significant amount of local exchange service, in addition to exchange access service, to a particular customer. To the extent <<customer_name>> requests to convert any special access services to combinations of loop and transport network elements at UNE prices, <<customer_name>> shall provide to BellSouth a letter certifying that <<customer_name>> is providing a significant amount of local exchange service (as described in this Section) over such combinations. The certification letter shall also indicate under what local usage option <<customer_name>> seeks to qualify for conversion of special access circuits. <<customer_name>> shall be

deemed to be providing a significant amount of local exchange service over such combinations if one of the following options is met:

- 5.3.5.2 <<customer_name>> certifies that it is the exclusive provider of an end user's local exchange service. The loop-transport combinations must terminate at <<customer_name>>'s collocation arrangement in at least one BellSouth central office. This option does not allow loop-transport combinations to be connected to BellSouth's tariffed services. Under this option, <<customer_name>> is the end user's only local service provider, and thus, is providing more than a significant amount of local exchange service. <<customer_name>> can then use the loop-transport combinations that serve the end user to carry any type of traffic, including using them to carry 100 percent interstate access traffic; or
- 5.3.5.3 <<customer_name>> certifies that it provides local exchange and exchange access service to the end user customer's premises and handles at least one third of the end user customer's local traffic measured as a percent of total end user customer local dialtone lines; and for DS1 circuits and above, at least 50 percent of the activated channels on the loop portion of the loop-transport combination have at least 5 percent local voice traffic individually, and the entire loop facility has at least 10 percent local voice traffic. When a loop-transport combination includes multiplexing, each of the individual DS1 circuits must meet these criteria. The loop-transport combination must terminate at <<customer_name>>'s collocation arrangement in at least one BellSouth central office. This option does not allow loop-transport combinations to be connected to BellSouth tariffed services; or
- 5.3.5.4 <<customer_name>> certifies that at least 50 percent of the activated channels on a circuit are used to provide originating and terminating local dialtone service and at least 50 percent of the traffic on each of these local dialtone channels is local voice traffic, and that the entire loop facility has at least 33 percent local voice traffic. When a loop-transport combination includes multiplexing, each of the individual DS1 circuits must meet these criteria. This option does not allow loop-transport combinations to be connected to BellSouth's tariffed services. Under this option, collocation is not required. <<customer_name>> does not need to provide a defined portion of the end user's local service, but the active channels on any loop-transport combination, and the entire facility, must carry the amount of local exchange traffic specified in this option.
- 5.3.5.5 In addition, there may be extraordinary circumstances where <<customer_name>> is providing a significant amount of local exchange service, but does not qualify under any of the three options set forth in Section 5.3.7.1. In such case, <<customer_name>> may petition the FCC for a waiver of the local usage options set forth in the June 2, 2000 Order. If a waiver is granted, then upon <<customer_name>>'s request the Parties shall amend this Agreement to the extent necessary to incorporate the terms of such waiver for such extraordinary circumstance.

- 5.3.5.6 BellSouth may at its sole discretion audit <<customer_name>> records in order to verify the type of traffic being transmitted over combinations of loop and transport network elements. The audit shall be conducted by a third party independent auditor, and <<customer_name>> shall be given thirty days written notice of scheduled audit. Such audit shall occur no more than one time in a calendar year, unless results of an audit find noncompliance with the significant amount of local exchange service requirement. In the event of noncompliance, <<customer_name>> shall reimburse BellSouth for the cost of the audit. If, based on its audits, BellSouth concludes that <<customer_name>> is not providing a significant amount of local exchange traffic over the combinations of loop and transport network elements, BellSouth may file a complaint with the appropriate Commission, pursuant to the dispute resolution process as set forth in the Interconnection Agreement. In the event that BellSouth prevails, BellSouth may convert such combinations of loop and transport network elements to special access services and may seek appropriate retroactive reimbursement from <<customer_name>>.
- 5.3.5.7 <<customer_name>> may convert special access circuits to combinations of loop and transport UNEs pursuant to the terms of this Section and subject to the termination provisions in the applicable special access tariffs, if any.

5.3.6 **Rates**

- 5.3.6.1 Georgia and Tennessee
- 5.3.6.1.1 The non-recurring and recurring rates for the EEL Combinations of network elements set forth in 5.3.4, whether Currently Combined or new, are as set forth in Exhibit B of this Attachment.
- 5.3.6.1.2 For combinations of loop and transport network elements not set forth in Section 5.3.4, where the elements are not Currently Combined but are ordinarily combined in BellSouth's network, the non-recurring and recurring charges for such UNE combinations shall be the sum of the stand-alone non-recurring and recurring charges of the network elements which make up the combination.
- 5.3.6.1.3 To the extent that <<customer_name>> seeks to obtain other combinations of network elements that BellSouth ordinarily combines in its network which have not been specifically priced by the Commission when purchased in combined form, <<customer_name>>, at its option, can request that such rates be determined pursuant to the BFR/NBR process set forth in this Agreement.
- 5.3.6.2 All Other States
- 5.3.6.2.1 Subject to Section 5.3.2 and 5.3.3 preceding, for all other states, the non-recurring and recurring rates for the Currently Combined EEL combinations set forth in Section 5.3.4 and other Currently Combined network elements will be the sum of

the recurring rates for the individual network elements plus a non recurring charge set forth in Exhibit C of this Attachment.

5.3.7 Multiplexing

5.3.7.1 Where multiplexing functionality is required in connection with loop and transport combinations, such multiplexing will be provided at the rates and on the terms set forth in this Agreement.

5.4 Other Non-Switched Combinations

5.4.1 In the state of Georgia and Tennessee, BellSouth shall make available to <<customer_name>>, in accordance with Section 5.7.1 below: (1) combinations of network elements other than EELs that are Currently Combined; and (2) combinations of network elements other than EELs that are not Currently Combined but that BellSouth ordinarily combines in its network. In all other states, BellSouth shall make available to <<customer_name>>, in accordance with Section 5.7.2 below, combinations of network elements other than EELs only to the extent such combinations are Currently Combined.

5.4.2 Rates

5.4.2.1 Georgia and Tennessee

5.4.2.1.1 The non-recurring and recurring rates for Other Network Element combinations, whether Currently Combined or new, are as set forth in Exhibit B of this Attachment.

5.4.2.1.2 For Other Network Element combinations where the elements are not Currently Combined but are ordinarily combined in BellSouth's network, the non-recurring and recurring charges for such UNE combinations shall be the sum of the stand-alone non-recurring and recurring charges of the network elements that make up the combination.

5.4.2.1.3 To the extent that <<customer_name>> seeks to obtain other combinations of network elements that BellSouth ordinarily combines in its network which have not been specifically priced by the Commission when purchased in combined form, <<customer_name>>, at its option, can request that such rates be determined pursuant to the BFR/NBR process set forth in this Agreement.

5.4.2.2 All Other States

5.4.2.2.1 For all other states, the non-recurring and recurring rates for the Other Network Element Combinations that are Currently Combined will be the sum of the recurring rates for the individual network elements plus a non-recurring charge set forth in Exhibit B of this Attachment.

5.5 **UNE Loop/Special Access Combinations**

5.5.1 BellSouth shall make available to <<customer_name>> a new combination of an unbundled loop and tariffed special access interoffice facilities. To the extent <<customer_name>> will require multiplexing functionality in connection with such combination, BellSouth will provide access to multiplexing within the central office pursuant to the terms, conditions and rates set forth in its Access Services Tariffs. The tariffed special access interoffice facilities and any associated tariffed services, including but not limited to multiplexing, shall not be eligible for conversion to UNEs as described in Section 5.4.

5.5.2 Rates

5.5.2.1 The non-recurring and recurring rates for UNE/Special Access Combinations will be the sum of the unbundled loop rates as set forth in Exhibit B and the interoffice transport rates and multiplexing rates as set forth in the Access Services Tariff.

5.6 **UNE Port/Loop Combinations**

5.6.1 Combinations of port and loop unbundled network elements along with switching and transport unbundled network elements provide local exchange service for the origination or termination of calls. Port/ loop combinations support the same local calling and feature requirements as described in the Unbundled Local Switching or Port section of this Attachment 2 and the ability to presubscribe to a primary carrier for intraLATA and/or to presubscribe to a primary carrier for interLATA toll service.

5.6.2 BellSouth shall make available Currently Combined UNE port/loop combinations in all BellSouth states and Not Currently Combined UNE port/loop combinations in the states of Georgia and Tennessee.

5.6.3 BellSouth is not required to provide combinations of port and loop network elements on an unbundled basis in locations where, pursuant to FCC rules, BellSouth is not required to provide circuit switching as an unbundled network element.

5.6.4 BellSouth shall not be required to provide local circuit switching as an unbundled network element in density Zone 1, as defined in 47 CFR 69.123 as of January 1, 1999 of the Atlanta, GA; Miami, FL; Orlando, FL; Ft. Lauderdale, FL; Charlotte-Gastonia-Rock Hill, NC; Greensboro-Winston Salem-High Point, NC; Nashville, TN; and New Orleans, LA, MSAs to <<customer_name>> if <<customer_name>>'s customer has 4 or more DS0 equivalent lines.

5.6.5 Combination Offerings

- 5.6.5.1 2-wire voice grade port, voice grade loop, unbundled end office switching, unbundled end office trunk port, common transport per mile per MOU, common transport facilities termination, tandem switching, and tandem trunk port.
- 5.6.5.2 2-wire voice grade Coin port, voice grade loop, unbundled end office switching, unbundled end office trunk port, common transport per mile per MOU, common transport facilities termination, tandem switching, and tandem trunk port.
- 5.6.5.3 2-wire voice grade DID port, voice grade loop, unbundled end office switching, unbundled end office trunk port, common transport per mile per MOU, common transport facilities termination, tandem switching, and tandem trunk port.
- 5.6.5.4 2-wire CENTREX port, voice grade loop, unbundled end office switching, unbundled end office trunk port, common transport per mile per MOU, common transport facilities termination, tandem switching, and tandem trunk port.
- 5.6.5.5 2-wire ISDN Basic Rate Interface, voice grade loop, unbundled end office switching, unbundled end office trunk port, common transport per mile per MOU, common transport facilities termination, tandem switching, and tandem trunk port.
- 5.6.5.6 4-wire ISDN Primary Rate Interface, DS1 loop, unbundled end office switching, unbundled end office trunk port, common transport per mile per MOU, common transport facilities termination, tandem switching, and tandem trunk port.
- 5.6.5.7 4-wire DS1 Trunk port, DS1 Loop, unbundled end office switching, unbundled end office trunk port, common transport per mile per MOU, common transport facilities termination, tandem switching, and tandem trunk port.
- 5.6.5.8 4-wire DS1 Loop with normal serving wire center channelization interface, 2-wire voice grade ports (PBX), 2-wire DID ports, unbundled end office switching, unbundled end office trunk port, common transport per mile per MOU, common transport facilities termination, tandem switching, and tandem trunk port.

6. Transport, Channelization and Dark Fiber

6.1 Transport

- 6.1.1 Interoffice transmission facility network elements include:
 - 6.1.1.1 Dedicated transport, defined as BellSouth's transmission facilities, is dedicated to a particular customer or carrier that provides telecommunications between wire centers or switches owned by BellSouth, or between wire centers and switches owned by BellSouth and <<customer_name>>.
 - 6.1.1.2 Dark Fiber transport, defined as BellSouth's optical transmission facilities without attached signal regeneration, multiplexing, aggregation or other electronics;

- 6.1.1.3 Common (Shared) transport, defined as transmission facilities shared by more than one carrier, including BellSouth, between end office switches, between end office switches and tandem switches, and between tandem switches, in BellSouth's network. Where BellSouth Network Elements are connected by intraoffice wiring, such wiring is provided as part of the Network Element and is not Common (Shared) Transport.
- 6.1.2 BellSouth shall:
- 6.1.2.1 Provide <<customer_name>> exclusive use of interoffice transmission facilities dedicated to a particular customer or carrier, or shared use of the features, functions, and capabilities of interoffice transmission facilities shared by more than one customer or carrier;
- 6.1.2.2 Provide all technically feasible transmission facilities, features, functions, and capabilities of the transport facility for the provision of telecommunications services;
- 6.1.2.3 Permit, to the extent technically feasible, <<customer_name>> to connect such interoffice facilities to equipment designated by <<customer_name>>, including but not limited to, <<customer_name>>'s collocated facilities; and
- 6.1.2.4 Permit, to the extent technically feasible, <<customer_name>> to obtain the functionality provided by BellSouth's digital cross-connect systems.
- 6.1.3 Technical Requirements of Common (Shared) Transport
- 6.1.3.1 Common (Shared) Transport provided on DS1 or VT1.5 circuits, shall, at a minimum, meet the performance, availability, jitter, and delay requirements specified for Central Office to Central Office ("CO to CO") connections in the applicable industry standards.
- 6.1.3.2 Common (Shared) Transport provided on DS3 circuits, STS-1 circuits, and higher transmission bit rate circuits, shall, at a minimum, meet the performance, availability, jitter, and delay requirements specified for CO to CO connections in the applicable industry standards.
- 6.1.3.3 BellSouth shall be responsible for the engineering, provisioning, and maintenance of the underlying equipment and facilities that are used to provide Common (Shared) Transport.
- 6.1.3.4 At a minimum, Common (Shared) Transport shall meet all of the requirements set forth in the applicable industry standards.
- 6.2 **Dedicated Transport**
- 6.2.1 Dedicated Transport is composed of the following Unbundled Network Elements:

- 6.2.1.1 Unbundled Local Channel, defined as the, dedicated transmission path between <<customer_name>>'s Point of Presence("POP") and <<customer_name>>'s collocation space in the BellSouth Serving Wire Center for <<customer_name>>'s POP, and
- 6.2.1.2 Unbundled Interoffice Channel, defined as the dedicated transmission path that provides telecommunication between BellSouth's Serving Wire Centers' collocations.
- 6.2.1.3 BellSouth shall offer Dedicated Transport in each of the following ways:
 - 6.2.1.3.1 As capacity on a shared UNE facility.
 - 6.2.1.3.2 As a circuit (e.g., DS0, DS1, DS3) dedicated to <<customer_name>>.
- 6.2.1.4 Dedicated Transport may be provided over facilities such as optical fiber, copper twisted pair, and coaxial cable, and shall include transmission equipment such as, line terminating equipment, amplifiers, and regenerators.
- 6.2.2 Technical Requirements
 - 6.2.2.1 The entire designated transmission service (e.g., DS0, DS1, DS3) shall be dedicated to <<customer_name>> designated traffic.
 - 6.2.2.2 For DS1 or VT1.5 circuits, Dedicated Transport shall, at a minimum, meet the performance, availability, jitter, and delay requirements specified for Customer Interface to Central Office ("CI to CO") connections in the applicable industry standards.
 - 6.2.2.3 For DS3 circuits, Dedicated Transport shall, at a minimum, meet the performance, availability, jitter, and delay requirements specified for CI to CO connections in the applicable industry standards.
 - 6.2.2.4 BellSouth shall offer the following interface transmission rates for Dedicated Transport:
 - 6.2.2.4.1 DS0 Equivalent;
 - 6.2.2.4.2 DS1;
 - 6.2.2.4.3 DS3; and
 - 6.2.2.4.4 SDH (Synchronous Digital Hierarchy) Standard interface rates in accordance with International Telecommunications Union (ITU) Recommendation G.707 and Plesiochronous Digital Hierarchy (PDH) rates per ITU Recommendation G.704.

- 6.2.2.5 BellSouth shall design Dedicated Transport according to its network infrastructure. <<customer_name>> shall specify the termination points for Dedicated Transport..
- 6.2.2.6 At a minimum, Dedicated Transport shall meet each of the requirements set forth in the applicable industry technical references.
- 6.2.2.7 BellSouth Technical References:
- 6.2.2.7.1 TR-TSY-000191 Alarm Indication Signals Requirements and Objectives, Issue 1, May 1986.
- 6.2.2.7.2 TR 73501 LightGate[®] Service Interface and Performance Specifications, Issue D, June 1995.
- 6.2.2.7.3 TR 73525 MegaLink[®] Service, MegaLink Channel Service and MegaLink Plus Service Interface and Performance Specifications, Issue C, May 1996.
- 6.3 **Unbundled Channelization (Multiplexing)**
- 6.3.1 Unbundled Channelization (UC) provides the multiplexing capability that will allow a DS1 (1.544 Mbps) or DS3 (44.736 Mbps) or STS-1 Unbundled Network Element (UNE) or collocation cross-connect to be multiplexed or channelized at a BellSouth central office. Channelization will be offered with both the high and low speed sides to be connected to collocation. Channelization can be accomplished through the use of a stand-alone multiplexer or a digital cross-connect system at the discretion of BellSouth. Once UC has been installed, <<customer_name>> may request channel activation on an as-needed basis and BellSouth shall connect the requested facilities via Central Office Channel Interfaces (COCI). The COCI must be compatible with the lower capacity facility and ordered with the lower capacity facility.
- 6.3.2 BellSouth shall make available the following channelization systems:
- 6.3.2.1 DS3 Channelization System: channelizes a DS3 signal into 28 DS1s/STS-1s.
- 6.3.2.2 DS1 Channelization System: channelizes a DS1 signal into 24 DS0s.
- 6.3.3 BellSouth shall make available the following
- 6.3.3.1 Central Office Channel Interfaces (COCI):
- 6.3.3.2 DS1 COCI, which can be activated on a DS3 Channelization System.
- 6.3.3.3 Voice Grade and Digital Data COCI, which can be activated on a DS1 Channelization System.

- 6.3.3.4 Data COCI, which can be activated on a DS1 Channelization System.
- 6.3.3.5 AMI and B8ZS line coding with either Super Frame (SF) and Extended Super Frame (ESF) framing formats will be supported as options.
- 6.3.4 Technical Requirements
 - 6.3.4.1 In order to assure proper operation with BellSouth provided central office multiplexing functionality, the <<customer_name>> 's channelization equipment must adhere strictly to form and protocol standards. <<customer_name>> must also adhere to such applicable industry standards for the multiplex channel bank, for voice frequency encoding, for various signaling schemes, and for sub rate digital access.
 - 6.3.4.2 DS0 to DS1 Channelization
 - 6.3.4.2.1 The DS1 signal must be framed utilizing the framing structure defined in ANSI T1.107, Digital Hierarchy Formats Specifications and ANSI T1.403.02, DS1 Robbed-bit Signaling State Definitions.
 - 6.3.4.3 DS1 to DS3 Channelization
 - 6.3.4.3.1 The DS3 signal must be framed utilizing the framing structure define in ANSI T1.107, Digital Hierarchy Formats Specifications. The asynchronous M13 multiplex format (combination of M12 and M23 formats) is specified for terminal equipment that multiplexes 28 DS1s into a DS3.
 - 6.3.4.4 DS1 to STS Channelization
 - 6.3.4.4.1 The STS-1 signal must be framed utilizing the framing structure define in ANSI T1.105, Synchronous Optical Network (SONET) – Basic Description Including Multiplex Structure, Rates and Formats and T1.105.02, Synchronous Optical Network (SONET) – Payload Mappings.
 - 6.4 **Dark Fiber Transport**
 - 6.4.1 Dark Fiber Transport is an unused optical transmission facility without attached signal regeneration, multiplexing, aggregation or other electronics that connects two points within BellSouth's network. It may be strands of optical fiber existing in aerial or underground structure. BellSouth will not provide line terminating elements, regeneration or other electronics necessary for <<customer_name>> to utilize Dark Fiber Transport.
 - 6.4.2 Dark Fiber Transport rates are differentiated between Local Channel, Interoffice Channel and Local Loop.
 - 6.4.3 Requirements

- 6.4.3.1 BellSouth shall make available Dark Fiber Transport where it exists in BellSouth's network and where, as a result of future building or deployment, it becomes available. Dark fiber Transport will not be deemed available if (1) it is used by BellSouth for maintenance and repair purposes, (2) it is designated for use pursuant to a firm order placed by another customer, (3) it is restricted for use by all carriers, including BellSouth, because of transmission problems or because it is scheduled for removal due to documented changes to roads and infrastructure, or (4) BellSouth has plans to use the fiber within a two-year planning period. BellSouth is not required to place fibers for Dark Fiber Transport if there are none available.
- 6.4.3.2 If the requested Dark Fiber Transport has any lightwave repeater equipment interspliced to it, BellSouth will remove such equipment at <<customer_name>>'s request subject to time and materials charges.
- 6.4.3.3 <<customer_name>> is solely responsible for testing the quality of the Dark Fiber Transport to determine its usability and performance specifications.
- 6.4.3.4 BellSouth shall use its best efforts to provide to <<customer_name>> information regarding the location, availability and performance of Dark Fiber Transport within ten (10) business days after receiving a request from <<customer_name>>. Within such time period, BellSouth shall send written confirmation of availability of the Dark Fiber Transport.
- 6.4.3.5 If the requested Dark fiber Transport is available, BellSouth shall use its commercially reasonable efforts to provision the Dark Fiber Transport to <<customer_name>> within twenty (20) business days after <<customer_name>> submits a valid, error free LSR. Provisioning includes identification of appropriate connection points (e.g., Light Guide Interconnection (LGX) or splice points) to enable <<customer_name>> to connect or splice <<customer_name>> provided transmission media (e.g., optical fiber) or equipment to the Dark Fiber Transport.
- 6.4.3.6 <<customer_name>> may splice at the end points and test Dark Fiber Loop obtained from BellSouth using <<customer_name>> or <<customer_name>> designated personnel. BellSouth shall provide appropriate interfaces to allow splicing and testing of Dark Fiber Transport. For fiber in underground conduit, BellSouth shall provide a minimum of 25 feet of excess cable to allow the uncoiled fiber to reach from the manhole to a splicing van.
- 7. BellSouth Switched Access ("SWA") 8XX Toll Free Dialing Ten Digit Screening Service**
- 7.1 The BellSouth SWA 8XX Toll Free Dialing Ten Digit Screening Service database ("8XX SCP Database") is a Signaling control Point ("SCP") that contains customer record information and the functionality to provide call-handling

instructions for 8XX calls. The 8XX SCP IN software stores data downloaded from the national SMS/8XX database and provides the routing instructions in response to queries from the Switching Service Point (“SSP”) or tandem. The BellSouth SWA 8XX Toll Free Dialing Ten Digit Screening Service (“8XX TFD Service”) utilizes the 8XX SCP Database to provide identification and routing of the 8XX calls, based on the ten digits dialed. At <<customer_name>>’s option, 8XX TFD Service is provided with or without POTS number delivery, dialing number delivery, and other optional complex features as selected by <<customer_name>>.

- 7.2 The 8XX SCP Database is designated to receive and respond to queries using the ANSI Specification of Signaling System Seven (SS7) protocol.

8. Line Information Database (LIDB)

- 8.1 The Line Information Database (LIDB) is a transaction-oriented database accessible through Common Channel Signaling (CCS) networks. For access to LIDB, <<customer_name>> must purchase appropriate signaling links pursuant to Section 9 of this Attachment. LIDB contains records associated with end user Line Numbers and Special Billing Numbers. LIDB accepts queries from other Network Elements and provides appropriate responses. The query originator need not be the owner of LIDB data. LIDB queries include functions such as screening billed numbers that provides the ability to accept Collect or Third Number Billing calls and validation of Telephone Line Number based non-proprietary calling cards. The interface for the LIDB functionality is the interface between BellSouth’s CCS network and other CCS networks. LIDB also interfaces to administrative systems.
- 8.2 Technical Requirements
- 8.2.1 BellSouth will offer to <<customer_name>> any additional capabilities that are developed for LIDB during the life of this Agreement.
- 8.2.2 BellSouth shall process <<customer_name>>’s Customer records in LIDB at least at parity with BellSouth customer records, with respect to other LIDB functions. BellSouth shall indicate to <<customer_name>> what additional functions (if any) are performed by LIDB in the BellSouth network.
- 8.2.3 Within two (2) weeks after a request by <<customer_name>>, BellSouth shall provide <<customer_name>> with a list of the customer data items, which <<customer_name>> would have to provide in order to support each required LIDB function. The list shall indicate which data items are essential to LIDB function, and which are required only to support certain services. For each data item, the list shall show the data formats, the acceptable values of the data item and the meaning of those values.

- 8.2.4 BellSouth shall provide LIDB systems for which operating deficiencies that would result in calls being blocked shall not exceed 30 minutes per year.
- 8.2.5 BellSouth shall provide LIDB systems for which operating deficiencies that would not result in calls being blocked shall not exceed 12 hours per year.
- 8.2.6 BellSouth shall provide LIDB systems for which the LIDB function shall be in overload no more than 12 hours per year.
- 8.2.7 All additions, updates and deletions of <<customer_name>> data to the LIDB shall be solely at the direction of <<customer_name>>. Such direction from <<customer_name>> will not be required where the addition, update or deletion is necessary to perform standard fraud control measures (e.g., calling card auto-deactivation).
- 8.2.8 BellSouth shall provide priority updates to LIDB for <<customer_name>> data upon <<customer_name>>'s request (e.g., to support fraud detection), via password-protected telephone card, facsimile, or electronic mail within one hour of notice from the established BellSouth contact.
- 8.2.9 BellSouth shall provide LIDB systems such that no more than 0.01% of <<customer_name>> customer records will be missing from LIDB, as measured by <<customer_name>> audits. BellSouth will audit <<customer_name>> records in LIDB against DBAS to identify record mismatches and provide this data to a designated <<customer_name>> contact person to resolve the status of the records and BellSouth will update system appropriately. BellSouth will refer record of mis-matches to <<customer_name>> within one business day of audit. Once reconciled records are received back from <<customer_name>>, BellSouth will update LIDB the same business day if less than 500 records are received before 1:00PM Central Time. If more than 500 records are received, BellSouth will contact <<customer_name>> to negotiate a time frame for the updates, not to exceed three business days.
- 8.2.10 BellSouth shall perform backup and recovery of all of <<customer_name>>'s data in LIDB including sending to LIDB all changes made since the date of the most recent backup copy, in at least the same time frame BellSouth performs backup and recovery of BellSouth data in LIDB for itself. Currently, BellSouth performs backups of the LIDB for itself on a weekly basis and when a new software release is scheduled, a backup is performed prior to loading the new release.
- 8.2.11 BellSouth shall provide <<customer_name>> with LIDB reports of data, which are missing or contain errors, as well as any misrouted errors, within a reasonable time period as negotiated between <<customer_name>> and BellSouth.
- 8.2.12 BellSouth shall prevent any access to or use of <<customer_name>> data in LIDB by BellSouth personnel that are outside of established administrative and fraud

control personnel, or by any other Party that is not authorized by <<customer_name>> in writing.

- 8.2.13 BellSouth shall provide <<customer_name>> performance of the LIDB Data Screening function, which allows a LIDB to completely or partially deny specific query originators access to LIDB data owned by specific data owners, for Customer Data that is part of an NPA-NXX or RAO-0/1XX wholly or partially owned by <<customer_name>> at least at parity with BellSouth Customer Data. BellSouth shall obtain from <<customer_name>> the screening information associated with LIDB Data Screening of <<customer_name>> data in accordance with this requirement. BellSouth currently does not have LIDB Data Screening capabilities. When such capability is available, BellSouth shall offer it to <<customer_name>> under the BFR/NBR as set forth in General Terms and Conditions.
- 8.2.14 BellSouth shall accept queries to LIDB associated with <<customer_name>> customer records, and shall return responses in accordance with industry standards.
- 8.2.15 BellSouth shall provide mean processing time at the LIDB within 0.50 seconds under normal conditions as defined in industry standards.
- 8.2.16 BellSouth shall provide processing time at the LIDB within 1 second for 99% of all messages under normal conditions as defined in industry standards.
- 8.3 Interface Requirements
- 8.3.1 BellSouth shall offer LIDB in accordance with the requirements of this subsection.
- 8.3.2 The interface to LIDB shall be in accordance with the technical references contained within.
- 8.3.3 2The CCS interface to LIDB shall be the standard interface described herein.
- 8.3.4 The LIDB Data Base interpretation of the ANSI-TCAP messages shall comply with the technical reference herein. Global Title Translation shall be maintained in the signaling network in order to support signaling network routing to the LIDB.

9. Signaling

- 9.1 BellSouth shall offer access to signalling and access to BellSouth's signalling databases subject to compatibility testing and at the rates set forth in this Attachment. BellSouth may provide mediated access to BellSouth signalling systems and databases. Available signalling elements include signalling links,

signal transfer points and service control points. Signalling functionality will be available with both A-link and B-link connectivity.

9.2 **Signalling Link Transport**

9.2.1 Signaling Link Transport is a set of two or four dedicated 56 kbps transmission paths between <<customer_name>>-designated Signaling Points of Interconnection that provide appropriate physical diversity.

9.2.2 Technical Requirements

9.2.3 Signaling Link Transport shall consist of full duplex mode 56 kbps transmission paths and shall perform in the following 2 ways:

9.2.3.1 As an “A-link” Signaling Link Transport is a connection between a switch or SCP and a home Signaling Transfer Point switch pair; and

9.2.3.2 As a “B-link” Signaling Link Transport is a connection between two Signaling Transfer Point switch pairs in different company networks (e.g., between two Signaling Transfer Point switch pairs for two CLECs).

9.2.4 Signaling Link Transport shall consist of two or more signaling link layers as follows:

9.2.4.1 An A-link layer shall consist of two links.

9.2.4.2 A B-link layer shall consist of four links.

9.2.4.3 A signaling link layer shall satisfy interoffice and intraoffice diversity of facilities and equipment, such that:

9.2.4.4 No single failure of facilities or equipment causes the failure of both links in an A-link layer (i.e., the links should be provided on a minimum of two separate physical paths end-to-end); and

9.2.4.5 No two concurrent failures of facilities or equipment shall cause the failure of all four links in a B-link layer (i.e., the links should be provided on a minimum of three separate physical paths end-to-end).

9.2.5 Interface Requirements

9.2.5.1 There shall be a DS1 (1.544 Mbps) interface at the <<customer_name>> designated SPOIs. Each 56 kbps transmission path shall appear as a DS0 channel within the DS1 interface.

9.3 **Signalling Transfer Points (STPs)**

- 9.3.1 A Signaling Transfer Point is a signaling network function that includes all of the capabilities provided by the signaling transfer point switches (STPs) and their associated signaling links that enables the exchange of SS7 messages among and between switching elements, database elements and signaling transfer point switches.
- 9.3.2 Technical Requirements
- 9.3.2.1 Signaling Transfer Point s shall provide access to BellSouth Local Switching or Tandem Switching and to BellSouth Service Control Points/Databases connected to BellSouth SS7 network. Signaling Transfer Point also provide access to third-party local or tandem switching and Third-party-provided Signaling Transfer Points.
- 9.3.2.2 The connectivity provided by Signaling Transfer Points shall fully support the functions of all other Network Elements connected to the BellSouth SS7 network. This includes the use of the BellSouth SS7 network to convey messages that neither originate nor terminate at a signaling end point directly connected to the BellSouth SS7 network (i.e., transit messages). When the BellSouth SS7 network is used to convey transit messages, there shall be no alteration of the Integrated Services Digital Network User Part or Transaction Capabilities Application Part (TCAP) user data that constitutes the content of the message.
- 9.3.2.3 If a BellSouth tandem switch routes traffic, based on dialed or translated digits, on SS7 trunks between a <<customer_name>> local switch and third party local switch, the BellSouth SS7 network shall convey the TCAP messages that are necessary to provide Call Management features (Automatic Callback, Automatic Recall, and Screening List Editing) between <<customer_name>> local STPs and the STPs that provide connectivity with the third party local switch, even if the third party local switch is not directly connected to BellSouth STPs.
- 9.3.2.4 STPs shall provide all functions of the SCCP necessary for Class 0 (basic connectionless) service, as defined in Telcordia ANSI Interconnection Requirements. This includes Global Title Translation (GTT) and SCCP Management procedures, as specified in ANSI T1.112.4. Where the destination signaling point is a <<customer_name>> or third party local or tandem switching system directly connected to BellSouth SS7 network, BellSouth shall perform final GTT of messages to the destination and SCCP Subsystem Management of the destination. In all other cases, BellSouth shall perform intermediate GTT of messages to a gateway pair of STPs in an SS7 network connected with BellSouth SS7 network, and shall not perform SCCP Subsystem Management of the destination. If BellSouth performs final GTT to a <<customer_name>> database, then <<customer_name>> agrees to provide BellSouth with the Destination Point Code for the <<customer_name>> database.

- 9.3.2.5 STPs shall provide all functions of the OMAP as specified in applicable industry standard technical references, which may include, where available in BellSouth's network, MTP Routing Verification Test (MRVT); and SCCP Routing Verification Test (SRVT).
- 9.3.2.6 Where the destination signaling point is a BellSouth local or tandem switching system or database, or is a <<customer_name>> or third party local or tandem switching system directly connected to the BellSouth SS7 network, STPs shall perform MRVT and SRVT to the destination signaling point. In all other cases, STPs shall perform MRVT and SRVT to a gateway pair of STPs in an SS7 network connected with the BellSouth SS7 network. This requirement may be superseded by the specifications for Internetwork MRVT and SRVT when these become approved ANSI standards and available capabilities of BellSouth STPs.

9.4 **SS7 Advanced Intelligent Network (AIN) Access**

- 9.4.1 When technically feasible and upon request by <<customer_name>>, SS7 AIN Access shall be made available in association with switching. SS7 AIN Access is the provisioning of AIN 0.1 triggers in an equipped BellSouth local switch and interconnection of the BellSouth SS7 network with the <<customer_name>> SS7 network to exchange TCAP queries and responses with a <<customer_name>> SCP.
- 9.4.2 SS7 AIN Access shall provide <<customer_name>> SCP access to an equipped BellSouth local switch via interconnection of BellSouth's SS7 and <<customer_name>> SS7 Networks. BellSouth shall offer SS7 AIN Access through its STPs. If BellSouth requires a mediation device on any part of its network specific to this form of access, BellSouth must route its messages in the same manner. The interconnection arrangement shall result in the BellSouth local switch recognizing the <<customer_name>> SCP as at least at parity with BellSouth's SCP's in terms of interfaces, performance and capabilities.
- 9.4.3 Interface Requirements
- 9.4.3.1 BellSouth shall provide the following STP options to connect <<customer_name>> or <<customer_name>>-designated local switching systems to the BellSouth SS7 network:
- 9.4.3.1.1 An A-link interface from <<customer_name>> local switching systems; and,
- 9.4.3.1.2 A B-link interface from <<customer_name>> local STPs.
- 9.4.3.2 Each type of interface shall be provided by one or more layers of signaling links.
- 9.4.3.3 The Signaling Point of Interconnection for each link shall be located at a cross-connect element in the Central Office (CO) where the BellSouth STP is located. There shall be a DS1 or higher rate transport interface at each of the SPOIs. Each

signaling link shall appear as a DS0 channel within the DS1 or higher rate interface.

9.4.3.4 BellSouth shall provide intraoffice diversity between the Signaling Point of Interconnection and BellSouth STPs, so that no single failure of intraoffice facilities or equipment shall cause the failure of both B-links in a layer connecting to a BellSouth STP.

9.4.3.5 STPs shall provide all functions of the MTP as defined in the applicable industry standard technical references.

9.4.4 Message Screening

9.4.4.1 BellSouth shall set message screening parameters so as to accept valid messages from <<customer_name>> local or tandem switching systems destined to any signaling point within BellSouth's SS7 network where the <<customer_name>> switching system has a valid signaling relationship.

9.4.4.2 BellSouth shall set message screening parameters so as to pass valid messages from <<customer_name>> local or tandem switching systems destined to any signaling point or network accessed through BellSouth's SS7 network where the <<customer_name>> switching system has a valid signaling relationship.

9.4.4.3 BellSouth shall set message screening parameters so as to accept and pass/send valid messages destined to and from <<customer_name>> from any signaling point or network interconnected through BellSouth's SS7 network where the <<customer_name>> SCP has a valid signaling relationship.

9.5 **Service Control Points/Databases**

9.5.1 Call Related Databases provide the storage of, access to, and manipulation of information required to offer a particular service and/or capability. BellSouth shall provide access to the following Databases: Local Number Portability, LIDB, Toll Free Number Database, Automatic Location Identification/Data Management System, and Calling Name Database. BellSouth also provides access to Service Creation Environment and Service Management System (SCE/SMS) application databases and Directory Assistance.

9.5.2 A Service Control Point (SCP) is deployed in a SS7 network that executes service application logic in response to SS7 queries sent to it by a switching system also connected to the SS7 network. Service Management Systems provide operational interfaces to allow for provisioning, administration and maintenance of subscriber data and service application data stored in SCPs.

9.5.3 Technical Requirements for SCPs/Databases

- 9.5.3.1 BellSouth shall provide physical access to SCPs through the SS7 network and protocols with TCAP as the application layer protocol.
- 9.5.3.2 BellSouth shall provide physical interconnection to databases via industry standard interfaces and protocols (e.g. SS7, ISDN and X.25).
- 9.5.3.3 The reliability of interconnection options shall be consistent with requirements for diversity and survivability.

9.6 **Local Number Portability Database**

- 9.6.1 The Permanent Number Portability (PNP) database supplies routing numbers for calls involving numbers that have been ported from one local service provider to another. BellSouth agrees to provide access to the PNP database at rates, terms and conditions as set forth by BellSouth and in accordance with an effective FCC or Commission directive.

9.7 **SS7 Network Interconnection**

- 9.7.1 SS7 Network Interconnection is the interconnection of <<customer_name>> local signaling transfer point switches or <<customer_name>> local or tandem switching systems with BellSouth signaling transfer point switches. This interconnection provides connectivity that enables the exchange of SS7 messages among BellSouth switching systems and databases, <<customer_name>> local or tandem switching systems, and other third-party switching systems directly connected to the BellSouth SS7 network.
- 9.7.2 The connectivity provided by SS7 Network Interconnection shall fully support the functions of BellSouth switching systems and databases and <<customer_name>> or other third-party switching systems with A-link access to the BellSouth SS7 network.
- 9.7.3 If traffic is routed based on dialed or translated digits between a <<customer_name>> local switching system and a BellSouth or other third-party local switching system, either directly or via a BellSouth tandem switching system, then it is a requirement that the BellSouth SS7 network convey via SS7 Network Interconnection the TCAP messages that are necessary to provide Call Management services (Automatic Callback, Automatic Recall, and Screening List Editing) between the <<customer_name>> local signaling transfer point switches and BellSouth or other third-party local switch.
- 9.7.4 SS7 Network Interconnection shall provide:
 - 9.7.4.1 Signaling Data Link functions, as specified in ANSI T1.111.2;
 - 9.7.4.2 Signaling Link functions, as specified in ANSI T1.111.3; and

- 9.7.4.3 Signaling Network Management functions, as specified in ANSI T1.111.4.
- 9.7.5 SS7 Network Interconnection shall provide all functions of the SCCP necessary for Class 0 (basic connectionless) service, as specified in ANSI T1.112. This includes Global Title Translation (GTT) and SCCP Management procedures, as specified in ANSI T1.112.4. Where the destination signaling point is a BellSouth switching system or DB, or is another third-party local or tandem switching system directly connected to the BellSouth SS7 network, SS7 Network Interconnection shall include final GTT of messages to the destination and SCCP Subsystem Management of the destination. Where the destination signaling point is a <<customer_name>> local or tandem switching system, SS7 Network Interconnection shall include intermediate GTT of messages to a gateway pair of <<customer_name>> local STPs, and shall not include SCCP Subsystem Management of the destination.
- 9.7.6 SS7 Network Interconnection shall provide all functions of the Integrated Services Digital Network User Part, as specified in ANSI T1.113.
- 9.7.7 SS7 Network Interconnection shall provide all functions of the TCAP, as specified in ANSI T1.114.
- 9.7.8 If Internetwork MRVT and SRVT become approved ANSI standards and available capabilities of BellSouth STPs, SS7 Network Interconnection may provide these functions of the OMAP.
- 9.7.9 Interface Requirements
- 9.7.9.1 The following SS7 Network Interconnection interface options are available to connect <<customer_name>> or <<customer_name>>-designated local or tandem switching systems or signaling transfer point switches to the BellSouth SS7 network:
- 9.7.9.1.1 A-link interface from <<customer_name>> local or tandem switching systems; and
- 9.7.9.1.2 B-link interface from <<customer_name>> STPs.
- 9.7.9.2 The Signaling Point of Interconnection for each link shall be located at a cross-connect element in the central office where the BellSouth STP is located. There shall be a DS1 or higher rate transport interface at each of the Signaling Points of interconnection. Each signaling link shall appear as a DS0 channel within the DS1 or higher rate interface.
- 9.7.9.3 BellSouth shall provide intraoffice diversity between the Signaling Points of Interconnection and the BellSouth STP, so that no single failure of intraoffice facilities or equipment shall cause the failure of both B-links in a layer connecting to a BellSouth STP.

- 9.7.9.4 The protocol interface requirements for SS7 Network Interconnection include the MTP, ISDNUP, SCCP, and TCAP. These protocol interfaces shall conform to the applicable industry standard technical references.
- 9.7.9.5 BellSouth shall set message screening parameters to accept messages from <<customer_name>> local or tandem switching systems destined to any signaling point in the BellSouth SS7 network with which the <<customer_name>> switching system has a valid signaling relationship.

10. Operator Service and Directory Assistance

- 10.1 Operator Service provides: (1) operator handling for call completion (for example, collect, third number billing, and manual calling-card calls), (2) operator or automated assistance for billing after the end user has dialed the called number (for example, calling card calls); and (3) special services including but not limited to Busy Line Verification and Emergency Line Interrupt (ELI), Emergency Agency Call, and Operator-assisted Directory Assistance.
- 10.2 Upon request for BellSouth Operator Services, BellSouth shall:
- 10.2.1 Process 0+ and 0- dialed local calls.
- 10.2.2 Process 0+ and 0- intraLATA toll calls.
- 10.2.3 Process calls that are billed to <<customer_name>> end user's calling card that can be validated by BellSouth.
- 10.2.4 Process person-to-person calls.
- 10.2.5 Process collect calls.
- 10.2.6 Provide the capability for callers to bill to a third party and shall also process such calls.
- 10.2.7 Process station-to-station calls.
- 10.2.8 Process Busy Line Verify and Emergency Line Interrupt requests.
- 10.2.9 Process emergency call trace originated by Public Safety Answering Points.
- 10.2.10 Process operator-assisted directory assistance calls.
- 10.2.11 Adhere to equal access requirements, providing <<customer_name>> local end users the same IXC access as provided to BellSouth end users.
- 10.2.12 Exercise at least the same level of fraud control in providing Operator Service to <<customer_name>> that BellSouth provides for its own operator service.

- 10.2.13 Perform Billed Number Screening when handling Collect, Person-to-Person, and Billed-to-Third-Party calls.
- 10.2.14 Direct customer account and other similar inquiries to the customer service center designated by <<customer_name>>.
- 10.2.15 Provide call records to <<customer_name>> in accordance with ODUF standards specified in Attachment 7.
- 10.2.16 The interface requirements shall conform to the interface specifications for the platform used to provide Operator Services as long as the interface conforms to industry standards.
- 10.3 **Directory Assistance Service**
- 10.3.1 Directory Assistance Service provides local end user telephone number listings with the option to complete the call at the caller's direction separate and distinct from local switching.
- 10.3.2 Directory Assistance Service shall provide up to two listing requests per call. If available and if requested by <<customer_name>>'s end user, BellSouth shall provide caller-optional directory assistance call completion service at rates contained in this Attachment to one of the provided listings.
- 10.3.3 **Directory Assistance Service Updates**
- 10.3.3.1 BellSouth shall update end user listings changes daily. These changes include:
- 10.3.3.1.1 New end user connections
- 10.3.3.1.2 End user disconnections
- 10.3.3.1.3 End user address changes
- 10.3.3.1.4 These updates shall also be provided for non-listed and non-published numbers for use in emergencies.
- 10.4 **Branding for Operator Call Processing and Directory Assistance**
- 10.4.1 BellSouth's branding feature provides a definable announcement to <<customer_name>> end users using Directory Assistance (DA)/Operator Call Processing (OCP) prior to placing such end users in queue or connecting them to an available operator or automated operator system. This feature allows <<customer_name>> to have its calls custom branded with <<customer_name>>'s name on whose behalf BellSouth is providing Directory Assistance and/or Operator Call Processing. Rates for the branding features are set forth in this Attachment.

- 10.4.2 BellSouth offers three (3) service levels of branding to <<customer_name>> when ordering BellSouth's Directory Assistance and Operator Call Processing.
- 10.4.2.1 Service Level 1 - BellSouth Branding
- 10.4.2.2 Service Level 2 - Unbranding
- 10.4.2.3 Service Level 3 - Custom Branding
- 10.4.3 Where <<customer_name>> resells BellSouth's services or purchases unbundled local switching from BellSouth, and utilizes a directory assistance provider and operator services provider other than BellSouth, BellSouth will route <<customer_name>>'s end user calls to that provider through Selective Carrier Routing.
- 10.4.4 **For Resellers and Use with an Unbundled Port**
- 10.4.4.1 Selective Call Routing using Line Class Codes (SCR-LCC) provides the capability for <<customer_name>> to have its OS/DA calls routed to BellSouth's OS/DA platform for BellSouth provided Custom Branded or Unbranded OS/DA or to its own or an alternate OS/DA platform for Self-Branded OS/DA. SCR-LCC is only available if line class code capacity is available in the requested BellSouth end office switches.
- 10.4.4.2 Custom Branding for Directory Assistance is not available for certain classes of service, such as: Hotel/Motel, WATS, cellular type 1 and certain PBX services.
- 10.4.4.3 Where available, <<customer_name>> -specific and unique line class codes are programmed in each BellSouth end office switch where <<customer_name>> intends to serve end users with customized OS/DA branding. The line class codes specifically identify <<customer_name>> 'send users so OS/DA calls can be routed over the appropriate trunk group to the requested OS/DA platform. Additional line class codes are required in each end office if the end office serves multiple NPAs (i.e., a unique LCC is required per NPA), and/or if the end office switch serves multiple rate areas and <<customer_name>> intends to provide <<customer_name>> -branded OS/DA to its end users in these multiple rate areas.
- 10.4.4.4 BellSouth Branding is the Default Service Level.
- 10.4.4.5 SCR-LCC supporting Custom Branding and Self Branding require <<customer_name>> to order dedicated trunking from each BellSouth end office identified by <<customer_name>>, either to the BellSouth Traffic Operator Position System (TOPS) for Custom Branding or to the <<customer_name>> Operator Service Provider for Self Branding. Separate trunk groups are required for Operator Services and for Directory Assistance. Rates for trunks are set forth in applicable BellSouth tariffs.

- 10.4.4.6 Unbranding - Unbranded Directory Assistance and/or Operator Call Processing calls ride common trunk groups provisioned by BellSouth from those end offices identified by <<customer_name>> to the BellSouth TOPS. These calls are routed to “No Announcement.”
- 10.4.4.7 The Rates for SCR-LCC are as set forth in this attachment. There is a nonrecurring charge for the establishment of each Line Class Code in each BellSouth central office. Furthermore, for Unbranded and Custom Branded OS/DA provided by BellSouth Operator Services with unbundled ports and unbundled port/loop switch combinations, monthly recurring usage charges shall apply for the UNEs necessary to provide the service, such as end office and tandem switching and common transport. A flat rated end office switching charge shall apply to Self-Branded OS/DA when used in conjunction with unbundled ports and unbundled port/loop switch combinations.
- 10.4.4.8 In addition to the branding methods described in this Section, Unbranding and Custom Branding are also available for Directory Assistance, Operator Call Processing or both via Originating Line Number Screening (OLNS) software. When utilizing this method of Unbranding or Custom Branding, <<customer_name>> shall not be required to purchase dedicated trunking.
- 10.4.4.9 For BellSouth to provide Unbranding or Custom Branding via OLNS software for Operator Call Processing or for Directory Assistance, <<customer_name>> must have its Operating Company Number (“OCN(s)”) and telephone numbers reside in BellSouth’s LIDB; however, a BellSouth LIDB Storage Agreement is not required. To implement Unbranding and Custom Branding via OLNS software, <<customer_name>> must submit a manual order form which requires, among other things, <<customer_name>>’s OCN and a forecast for the traffic volume anticipated for each BellSouth TOPS during the peak busy hour. <<customer_name>> shall provide updates to such forecast on a quarterly basis and at any time such forecasted traffic volumes are expected to change significantly. Upon <<customer_name>>’s purchase of Unbranding or Custom Branding using OLNS software for any particular TOPS, all <<customer_name>> end users served by that TOPS will receive the Unbranded “no announcement” or the Custom Branded announcement.
- 10.4.4.10 Rates for Unbranding and Custom Branding via OLNS software for Directory Assistance and for Operator Call Processing are as set forth in this Attachment. Notwithstanding anything to the contrary in this Agreement, to the extent BellSouth is unable to bill <<customer_name>> applicable charges currently, BellSouth shall track such charges and will bill the same retroactively at such time as a billing process is implemented. In addition to the charges for Unbranding and Custom Branding via OLNS software, <<customer_name>> shall continue to pay BellSouth applicable labor and other charges for the use of BellSouth’s Directory Assistance and Operator Call Processing platforms as set forth in this Attachment. Further, where <<customer_name>> is purchasing unbundled local switching

from BellSouth, UNE usage charges for end office switching, tandem switching and transport, as applicable, shall continue to apply.

10.4.5 **For Facilities Based Carriers**

10.4.5.1 All Service Levels require <<customer_name>> to order dedicated trunking from their end office(s) point of interface to the BellSouth TOPS Switches. Rates for trunks are set forth in applicable BellSouth tariffs.

10.4.5.2 Customized Branding includes charges for the recording of the branding announcement and the loading of the audio units in each TOPS Switch and Network Applications Vehicle (NAV) equipment for which <<customer_name>> requires service.

10.4.5.3 Directory Assistance customized branding uses:

10.4.5.3.1 the recording of <<customer_name>>;

10.4.5.3.2 the front-end loading of the Digital Recorded Announcement Machine (DRAM) in each TOPS switch.

10.4.5.4 Operator Call Processing customized branding uses:

10.4.5.4.1 the recording of <<customer_name>>;

10.4.5.4.2 the front-end loading of the DRAM in the TOPS Switch;

10.4.5.4.3 the 0- automation loading for the audio units in the Enhanced Billing and Access Service (EBAS) in the Network Applications Vehicle (NAV).

10.5 **Directory Assistance Database Service (DADS)**

10.5.1 BellSouth shall make its Directory Assistance Database Service (DADS) available at the rates set forth in this Attachment solely for the expressed purpose of providing Directory Assistance type services to <<customer_name>> end users. The term "end user" denotes any entity that obtains Directory Assistance type services for its own use from a DADS customer. Directory Assistance type service is defined as Voice Directory Assistance (DA Operator assisted) and Electronic Directory Assistance (Data System assisted). <<customer_name>> agrees that DADS will not be used for any purpose that violates federal or state laws, statutes, regulatory orders or tariffs. For the purposes of provisioning a Directory Assistance type service, all terms and conditions of GSST A38 apply and are incorporated by reference herein. Except for the permitted uses, <<customer_name>> agrees not to disclose DADS to others and shall provide due care in providing for the security and confidentiality of DADS.

- 10.5.2 BellSouth shall initially provide <<customer_name>> with a Base File of subscriber listings which reflect all listing change activity occurring since <<customer_name>>'s most recent update via magnetic tape. DADS is available and may be ordered on a Business, Residence or combined Business and Residence listings basis for each central office requested. BellSouth will require approximately 30- 45 days after receiving an order from <<customer_name>> to prepare the Base File.
- 10.5.3 BellSouth will provide updates at least weekly reflecting all listing change activity occurring since <<customer_name>>'s previous update. Delivery of updates will commence immediately after <<customer_name>> receives the Base File. Updates will be provided via magnetic tape unless BellSouth and <<customer_name>> mutually develop CONNECT: Direct™ electronic connectivity. <<customer_name>> will pay all costs associated with CONNECT: Direct™ connectivity, which will vary depending upon volume and mileage.
- 10.5.4 <<customer_name>> authorizes the inclusion of <<customer_name>> Directory Assistance listings in the BellSouth Directory Assistance products, including but not limited to DADS. Any other use is not authorized.
- 10.6 **Direct Access to Directory Assistance Service**
- 10.6.1 Direct Access to Directory Assistance Service (DADAS) will provide <<customer_name>>'s directory assistance operators with the ability to search all available BellSouth subscriber listings using the Directory Assistance search format. Subscription to DADAS will allow <<customer_name>> to utilize its own switch, operator workstations and optional audio subsystems.
- 10.6.2 Rates, terms and conditions for provisioning DADAS are as set forth in the FCC tariff No. 1.
- 11. Automatic Location Identification/Data Management System (ALI/DMS)**
- 11.1 The ALI/DMS Database contains end user information (including name, address, telephone information, and sometimes special information from the local service provider or end user) used to determine to which Public Safety Answering Point ("PSAP") to route the call. The ALI/DMS database is used to provide enhanced routing flexibility for E911.
- 11.2 Technical Requirements
- 11.2.1 BellSouth shall provide <<customer_name>> a data link to the ALI/DMS database or permit <<customer_name>> to provide its own data link to the ALI/DMS database. BellSouth shall provide error reports from the ALI/DMS database to <<customer_name>> after <<customer_name>> inputs end user information into the ALI/DMS database. Alternately, <<customer_name>> may

request that BellSouth enter <<customer_name>> 'send user information into the database, and validate end user information.

- 11.2.2 When BellSouth is responsible for administering the ALI/DMS database in its entirety, ported number NXXs entries for the ported numbers should be maintained unless <<customer_name>> requests otherwise and shall be updated if <<customer_name>> requests, provided <<customer_name>> supplies BellSouth with the updates.
- 11.2.3 When Remote Call Forwarding (RCF) is used to provide number portability to the local end user and a remark or other appropriate field information is available in the database, the shadow or "forwarded-to" number and an indication that the number is ported shall be added to the customer record.
- 11.2.4 If BellSouth is responsible for configuring PSAP features (for cases when the PSAP or BellSouth supports an ISDN interface) it shall ensure that CLASS Automatic Recall (Call Return) is not used to call back to the ported number. Although BellSouth currently does not have ISDN interface, BellSouth agrees to comply with this requirement once ISDN interfaces are in place.
- 11.2.5 Interface Requirements
- 11.2.5.1 The interface between the E911 Switch or Tandem and the ALI/DMS database for <<customer_name>> end users shall meet industry standards.

12. Calling Name (CNAM) Database Service

- 12.1 CNAM is the ability to associate a name with the calling party number, allowing the end user (to which a call is being terminated) to view the calling party's name before the call is answered. This service also provides <<customer_name>> the opportunity to load and store its subscriber names in the BellSouth CNAM SCPs.
- 12.2 <<customer_name>> shall submit to BellSouth a notice of its intent to access and utilize BellSouth CNAM Database Services. Said notice shall be in writing, no less than 60 days prior to <<customer_name>>'s access to BellSouth's CNAM Database Services and shall be addressed to <<customer_name>>'s Account Manager.
- 12.3 BellSouth's provision of CNAM Database Services to <<customer_name>> requires interconnection from <<customer_name>> to BellSouth CNAM Service Control Points (SCPs). Such interconnections shall be established pursuant to Attachment 3 of this Agreement, incorporated herein by this reference.
- 12.4 In order to formulate a CNAM query to be sent to the BellSouth CNAM SCP, <<customer_name>> shall provide its own CNAM SSP. <<customer_name>>'s CNAM SSPs must be compliant with TR-NWT-001188, "CLASS Calling Name Delivery Generic Requirements".

- 12.5 If <<customer_name>> elects to access the BellSouth CNAM SCP via a third party CCS7 transport provider, the third party CCS7 provider shall interconnect with the BellSouth CCS7 network according to BellSouth's Common Channel Signaling Interconnection Guidelines and Telcordia's CCS Network Interface Specification document, TR-TSV-000905. In addition, the third party provider shall establish CCS7 interconnection at the BellSouth Local Signal Transfer Points (LSTPs) serving the BellSouth CNAM SCPs that <<customer_name>> desires to query.
- 12.6 If <<customer_name>> queries the BellSouth CNAM SCP via a third party national SS7 transport provider, the third party SS7 provider shall interconnect with the BellSouth CCS7 network according to BellSouth's Common Channel Signaling Interconnection Guidelines and Telcordia's CCS Network Interface Specification document, TR-TSV-000905. In addition, the third party provider shall establish SS7 interconnection at one or more of the BellSouth Gateway Signal Transfer Points (STPs). The payment of all costs associated with the transport of SS7 signals via a third party will be established by mutual agreement of the Parties and this Agreement shall be amended in accordance with modification of the General Terms and Conditions incorporated herein by this reference.
- 12.7 The mechanism to be used by <<customer_name>> for initial CNAM record load and/or updates shall be determined by mutual agreement. The initial load and all updates shall be provided by <<customer_name>> in the BellSouth specified format and shall contain records for every working telephone number that can originate phone calls. It is the responsibility of <<customer_name>> to provide accurate information to BellSouth on a current basis.
- 12.8 Updates to the SMS shall occur no less than once a week, reflect service order activity affecting either name or telephone number, and involve only record additions, deletions or changes.
- 12.9 <<customer_name>> CNAM records provided for storage in the BellSouth CNAM SCP shall be available, on a SCP query basis only, to all Parties querying the BellSouth CNAM SCP. Further, CNAM service shall be provided by each Party consistent with state and/or federal regulation.
- 13. Service Creation Environment and Service Management System (SCE/SMS) Advanced Intelligent Network (AIN) Access**
- 13.1 BellSouth's Service Creation Environment and Service Management System (SCE/SMS) Advanced Intelligent Network (AIN) Access shall provide <<customer_name>> the capability to create service applications in a BellSouth SCE and deploy those applications in a BellSouth SMS to a BellSouth SCP.

- 13.2 BellSouth's SCE/SMS AIN Access shall provide access to SCE hardware, software, testing and technical support (e.g., help desk, system administrator) resources available to <<customer_name>>. Training, documentation, and technical support will address use of SCE and SMS access and administrative functions, but will not include support for the creation of a specific service application.
- 13.3 BellSouth SCP shall partition and protect <<customer_name>> service logic and data from unauthorized access.
- 13.4 When <<customer_name>> selects SCE/SMS AIN Access, BellSouth shall provide training, documentation, and technical support to enable <<customer_name>> to use BellSouth's SCE/SMS AIN Access to create and administer applications.
- 13.4.1 <<customer_name>> access will be provided via remote data connection (e.g., dial-in, ISDN).
- 13.4.2 BellSouth shall allow <<customer_name>> to download data forms and/or tables to BellSouth SCP via BellSouth SMS without intervention from BellSouth.
- 14. Basic 911 and E911**
- 14.1 Basic 911 and E911 provides a caller access to the applicable emergency service bureau by dialing 911.
- 14.2 Basic 911 Service Provisioning. BellSouth will provide to <<customer_name>> a list consisting of each municipality that subscribes to Basic 911 service. The list will also provide, if known, the E911 conversion date for each municipality and, for network routing purposes, a ten-digit directory number representing the appropriate emergency answering position for each municipality subscribing to 911. <<customer_name>> will be required to arrange to accept 911 calls from its end users in municipalities that subscribe to Basic 911 service and translate the 911 call to the appropriate 10-digit directory number as stated on the list provided by BellSouth. <<customer_name>> will be required to route that call to BellSouth at the appropriate tandem or end office. When a municipality converts to E911 service, <<customer_name>> will be required to begin using E911 procedures.
- 14.3 E911 Service Provisioning. <<customer_name>> shall install a minimum of two dedicated trunks originating from the <<customer_name>> serving wire center and terminating to the appropriate E911 tandem. The dedicated trunks shall be, at a minimum, DS-0 level trunks configured either as a 2-wire analog interface or as part of a digital (1.544 Mb/s) interface. Either configuration shall use CAMA-type signaling with multifrequency ("MF") pulsing that will deliver automatic number identification ("ANI") with the voice portion of the call. If the user

interface is digital, MF pulses, as well as other AC signals, shall be encoded per the u-255 Law convention. <<customer_name>> will be required to provide BellSouth daily updates to the E911 database. <<customer_name>> will be required to forward 911 calls to the appropriate E911 tandem, along with ANI, based upon the current E911 end office to tandem homing arrangement as provided by BellSouth. If the E911 tandem trunks are not available, <<customer_name>> will be required to route the call to a designated 7-digit local number residing in the appropriate Public Service Answering Point (“PSAP”). This call will be transported over BellSouth’s interoffice network and will not carry the ANI of the calling party. <<customer_name>> shall be responsible for providing BellSouth with complete and accurate data for submission to the 911/E911 database for the purpose of providing 911/E911 to its end users.

- 14.4 Rates. Charges for 911/E911 service are borne by the municipality purchasing the service. BellSouth will impose no charge on <<customer_name>> beyond applicable charges for BellSouth trunking arrangements.
- 14.5 Basic 911 and E911 functions provided to <<customer_name>> shall be at least at parity with the support and services that BellSouth provides to its end users for such similar functionality.
- 14.6 Detailed Practices and Procedures. The detailed practices and procedures contained in the E911 Local Exchange Carrier Guide For Facility-Based Providers as amended from time to time during the term of this Agreement will determine the appropriate practices and procedures for BellSouth and <<customer_name>> to follow in providing 911/E911 services.

15. Operational Support Systems (OSS)

- 15.1 BellSouth has developed and made available the following electronic interfaces by which <<customer_name>> may submit LSRs electronically.

LENS	Local Exchange Navigation System
EDI	Electronic Data Interchange
TAG	Telecommunications Access Gateway

- 15.2 LSRs submitted by means of one of these electronic interfaces will incur an OSS electronic ordering charge as specified in the table below. An individual LSR will be identified for billing purposes by its Purchase Order Number (PON). LSRs submitted by means other than one of these interactive interfaces (mail, fax, courier, etc.) will incur a manual order charge as specified in the table below:

OPERATIONAL SUPPORT SYSTEMS	AL, GA, LA, MS, NC, SC	FL, KY, TN
OSS LSR charge, per LSR received from the CLEC by one of the OSS interactive interfaces	\$3.50	\$3.50
	SOMECH	SOMECH

Incremental charge per LSR received from the CLEC by means other than one of the OSS interactive interfaces	See applicable rate element	\$19.99 SOMAN
---	-----------------------------	------------------

15.3 Denial/Restoral OSS Charge

15.3.1 In the event <<customer_name>> provides a list of customers to be denied and restored, rather than an LSR, each location on the list will require a separate PON and, therefore will be billed as one LSR per location.

15.4 Cancellation OSS Charge

15.4.1 <<customer_name>> will incur an OSS charge for an accepted LSR that is later canceled by <<customer_name>>.

15.4.2 Supplements or clarifications to a previously billed LSR will not incur another OSS charge.

15.4.3 Network Elements and Other Services Manual Additive

15.4.3.1 The Commissions in some states have ordered per-element manual additive non-recurring charges (NRC) for Network Elements and Other Services ordered by means other than one of the interactive interfaces. These ordered Network Elements and Other Services manual additive NRCs will apply in these states, rather than the charge per LSR. The per-element charges are listed on the Rate Tables in Exhibit B.

EXHIBIT A**LINE INFORMATION DATA BASE (LIDB)****FACILITIES BASED STORAGE AGREEMENT****I. Definitions (from Addendum)**

- A. Billing number - a number that <<customer_name>> creates for the purpose of identifying an account liable for charges. This number may be a line or a special billing number.
- B. Line number - a ten digit number that identifies a telephone line administered by <<customer_name>>.
- C. Special billing number - a ten-digit number that identifies a billing account established by <<customer_name>>.
- D. Calling Card number - a billing number plus PIN number.
- E. PIN number - a four-digit security code assigned by <<customer_name>> that is added to a billing number to compose a fourteen-digit calling card number.
- F. Toll billing exception indicator - associated with a billing number to indicate that it is considered invalid for billing of collect calls or third number calls or both, by <<customer_name>>.
- G. Billed Number Screening - refers to the activity of determining whether a toll billing exception indicator is present for a particular billing number.
- H. Calling Card Validation - refers to the activity of determining whether a particular calling card number exists as stated or otherwise provided by a caller.
- I. Billing number information - information about billing number, Calling Card number and toll billing exception indicator provided to BellSouth by <<customer_name>>.

II. General

- A. This Agreement sets forth the terms and conditions pursuant to which BellSouth agrees to store in its LIDB certain information at the request of <<customer_name>> and pursuant to which BellSouth, its LIDB customers and <<customer_name>> shall have access to such information. In addition, this Agreement sets forth the terms and conditions for <<customer_name>>'s provision of billing number information to BellSouth for inclusion in BellSouth's LIDB. <<customer_name>> understands that BellSouth provides access to information in its LIDB to various telecommunications service providers pursuant to applicable tariffs and agrees that information stored at the request of <<customer_name>>, pursuant to this Agreement, shall be available to those telecommunications service providers. The terms and conditions contained

herein shall hereby be made a part of this Interconnection Agreement upon notice to <<customer_name>>'s account team to activate this LIDB Storage Agreement. The General Terms and Conditions of the Interconnection/Resale Agreement shall govern this LIDB Storage Agreement. The terms and conditions contained in the attached Addendum are hereby made a part of this LIDB Storage Agreement as if fully incorporated herein.

B. BellSouth will provide responses to on-line, call-by-call queries to billing number information for the following purposes:

1. Billed Number Screening

a. BellSouth is authorized to use the billing number information to determine whether <<customer_name>> has identified the billing number as one that should not be billed for collect or third number calls.

2. Calling Card Validation

a. BellSouth is authorized to validate a 14-digit Calling Card number where the first 10 digits are a line number or special billing number assigned by BellSouth and where the last four digits (PIN) are a security code assigned by BellSouth.

3. Fraud Control

a. BellSouth will provide seven days per week, 24-hours per day, fraud monitoring on Calling Cards, bill-to-third and collect calls made to numbers in BellSouth's LIDB, provided that such information is included in the LIDB query. BellSouth will establish fraud alert thresholds and will notify <<customer_name>> of fraud alerts so that <<customer_name>> may take action it deems appropriate.

III. Responsibilities of the Parties

A. BellSouth will administer all data stored in the LIDB, including the data provided by <<customer_name>> pursuant to this Agreement, in the same manner as BellSouth's data for BellSouth's end user customers. BellSouth shall not be responsible to <<customer_name>> for any lost revenue which may result from BellSouth's administration of the LIDB pursuant to its established practices and procedures as they exist and as they may be changed by BellSouth in its sole discretion from time to time.

B. Billing and Collection Customers

BellSouth currently has in effect numerous billing and collection agreements with various interexchange carriers and billing clearinghouses and as such these billing and collection customers ("B&C Customers") query BellSouth's LIDB to determine

whether to accept various billing options from end users. Until such time as BellSouth implements in its LIDB and its supporting systems the means to differentiate <<customer_name>>'s data from BellSouth's data, the following terms and conditions shall apply:

1. <<customer_name>> will accept responsibility for telecommunications services billed by BellSouth for its B&C Customers for <<customer_name>>'s End User accounts which are resident in LIDB pursuant to this Agreement. <<customer_name>> authorizes BellSouth to place such charges on <<customer_name>>'s bill from BellSouth and shall pay all such charges including, but not limited to, collect and third number calls.
2. Charges for such services shall appear on a separate BellSouth bill page identified with the name of the B&C Customers for which BellSouth is billing the charge.
3. <<customer_name>> shall have the responsibility to render a billing statement to its End Users for these charges, but <<customer_name>> shall pay BellSouth for the charges billed regardless of whether <<customer_name>> collects from <<customer_name>>'s End Users.
4. BellSouth shall have no obligation to become involved in any disputes between <<customer_name>> and B&C Customers. BellSouth will not issue adjustments for charges billed on behalf of any B&C Customer to <<customer_name>>. It shall be the responsibility of <<customer_name>> and the B&C Customers to negotiate and arrange for any appropriate adjustments.

C. SPNP Arrangements

1. BellSouth will include billing number information associated with exchange lines or SPNP arrangements in its LIDB. <<customer_name>> will request any toll billing exceptions via the Local Service Request (LSR) form used to order exchange lines, or the SPNP service request form used to order SPNP arrangements.
2. Under normal operating conditions, BellSouth shall include the billing number information in its LIDB upon completion of the service order establishing either the local exchange service or the SPNP arrangement, provided that BellSouth shall not be held responsible for any delay or failure in performance to the extent such delay or failure is caused by circumstances or conditions beyond BellSouth's reasonable control. BellSouth will store in its LIDB an unlimited volume of the working telephone numbers associated with either the local exchange lines or the SPNP arrangements. For local exchange lines or for SPNP arrangements, BellSouth will issue line-based calling cards only in the name of <<customer_name>>. BellSouth will not issue line-based calling cards in the name of <<customer_name>>'S individual End Users. In the event that

<<customer_name>> wants to include calling card numbers assigned by <<customer_name>> in the BellSouth LIDB, a separate agreement is required.

V. Fees for Service and Taxes

- A. <<customer_name>> will not be charged a fee for storage services provided by BellSouth to <<customer_name>>, as described in Section I of this LIDB Facilities Based Storage Agreement.
- B. Sales, use and all other taxes (excluding taxes on BellSouth's income) determined by BellSouth or any taxing authority to be due to any federal, state or local taxing jurisdiction with respect to the provision of the service set forth herein will be paid by <<customer_name>> in accordance with the tax provisions set forth in the General Terms and Conditions of this Agreement.

BELLSOUTH / METROMEDIA FIBER NETWORK SERVICES RATES
Unbundled Network Elements
ALABAMA

CATEGORY	NOTES	UNBUNDLED NETWORK ELEMENT	Interim	Zone	BCS	USOC	RATES					OSS RATES						
							Rec	Nonrecurring		Disconnect	Add'l	SOMEc	SOMAN	SOMAN	SOMAN	SOMAN	SOMAN	
								First	Add'l									First
Geographically Deaveraged UNE Zones and applicable rates have been established for certain services, as shown in this Agreement. Where Geographically Deaveraged UNE Zones and applicable rates are established, Statewide rates are obsolete. Further, BellSouth is in the process of enhancing its billing systems in order to accommodate this Geographically Deaveraged UNE Zone Rate Structure. Until these enhancements are accomplished, estimated to be mid 2001, the UNE Zone 1 rate will be billed for all services residing in Zones 1, 2, 3 or 4, i.e., Rates for services residing in UNE Zones 2, 3 and UNE Zone 4, where applicable, will not be billed. Once billing enhancements are complete, all applicable UNE Zone rates reflected in this Agreement will be billed. Reference Internet Website http://www.interconnection.bellsouth.com/become_clec/docs/interconnection/deavuzns.pdf to view Geographically Deaveraged UNE Zone Designations by Central Office.																		
UNBUNDLED EXCHANGE ACCESS LOOP																		
2-WIRE ANALOG VOICE GRADE LOOP																		
		2-Wire Analog Voice Grade Loop - Service Level 1- Zone 1		1	UEANL	UEAL2	\$15.24	\$59.03	\$43.14	\$15.21	\$3.22	\$3.50	\$27.37	\$12.97	\$17.77	\$17.77		
		2-Wire Analog Voice Grade Loop - Service Level 1- Zone 2		2	UEANL	UEAL2	\$24.75	\$59.03	\$43.14	\$15.21	\$3.22	\$3.50	\$27.37	\$12.97	\$17.77	\$17.77		
		2-Wire Analog Voice Grade Loop - Service Level 1- Zone 3		3	UEANL	UEAL2	\$44.85	\$59.03	\$43.14	\$15.21	\$3.22	\$3.50	\$23.97	\$12.97	\$17.77	\$17.77		
		Engineering Information Document (EI)			UEANL			\$28.75	\$28.75									
		Manual Order Coordination for UVL-SL1s (per loop)*			UEANL	UEAMC		\$51.29	\$51.29									
		Order Coordination for Specified Conversion Time for UVL-SL1 (per LSR) *			UEANL	OCOSL		\$45.99	\$45.99									
		2-Wire Analog Voice Grade Loop - Service Level 2 w/Loop or Ground Start Signaling - Zone 1		1	UEA	UEAL2	\$17.95	\$145.46	\$108.40	\$40.31	\$26.01	\$3.50	\$27.37	\$12.97	\$17.77			
		2-Wire Analog Voice Grade Loop - Service Level 2 w/Loop or Ground Start Signaling - Zone 2		2	UEA	UEAL2	\$29.16	\$145.46	\$108.40	\$40.31	\$26.01	\$3.50	\$27.37	\$12.97	\$17.77			
		2-Wire Analog Voice Grade Loop - Service Level 2 w/Loop or Ground Start Signaling - Zone 3		3	UEA	UEAL2	\$52.84	\$145.46	\$108.40	\$40.31	\$26.01	\$3.50	\$27.37	\$12.97	\$17.77			
		Order Coordination for Specified Conversion Time (per LSR)			UEA	OCOSL		\$45.99										
		2-Wire Analog Voice Grade Loop - Service Level 2 w/Reverse Battery Signaling - Zone 1		1	UEA	UEAR2	\$17.95	\$145.46	\$108.40	\$40.31	\$26.01	\$3.50	\$27.37	\$12.97	\$17.77			
		2-Wire Analog Voice Grade Loop - Service Level 2 w/Reverse Battery Signaling - Zone 2		2	UEA	UEAR2	\$29.16	\$145.46	\$108.40	\$40.31	\$26.01	\$3.50	\$27.37	\$12.97	\$17.77			
		2-Wire Analog Voice Grade Loop - Service Level 2 w/Reverse Battery Signaling - Zone 3		3	UEA	UEAR2	\$52.84	\$145.46	\$108.40	\$40.31	\$26.01	\$3.50	\$27.37	\$12.97	\$17.77			
		Order Coordination for Specified Conversion Time (per LSR)			UEA	OCOSL		\$45.99										
4-WIRE ANALOG VOICE GRADE LOOP																		
		4-Wire Analog Voice Grade Loop - Zone 1		1	UEA	UEAL4	\$24.01	\$293.70	\$241.76	\$108.96	\$57.01	\$3.50	\$27.37	\$12.97	\$17.77			
		4-Wire Analog Voice Grade Loop - Zone 2		2	UEA	UEAL4	\$39.00	\$293.70	\$241.76	\$108.96	\$57.01	\$3.50	\$27.37	\$12.97	\$17.77			
		4-Wire Analog Voice Grade Loop - Zone 3		3	UEA	UEAL4	\$70.67	\$293.70	\$241.76	\$108.96	\$57.01	\$3.50	\$27.37	\$12.97	\$17.77			
		Order Coordination for Specified Conversion Time (per LSR)			UEA	OCOSL		\$45.99										
2-WIRE ISDN DIGITAL GRADE LOOP																		
		2-Wire ISDN Digital Grade Loop - Zone 1		1	UDN	U1L2X	\$23.23	\$331.85	\$255.87	\$108.95	\$57.01	\$3.50	\$27.37	\$12.97	\$17.77			
		2-Wire ISDN Digital Grade Loop - Zone 2		2	UDN	U1L2X	\$37.74	\$331.85	\$255.87	\$108.95	\$57.01	\$3.50	\$27.37	\$12.97	\$17.77			
		2-Wire ISDN Digital Grade Loop - Zone 3		3	UDN	U1L2X	\$68.38	\$331.85	\$255.87	\$108.95	\$57.01	\$3.50	\$27.37	\$12.97	\$17.77			
		Order Coordination For Specified Conversion Time (per LSR)			UDN	OCOSL		\$45.99										
2-WIRE Universal Digital Channel (UDC) COMPATIBLE LOOP																		
		2-Wire Universal Digital Channel (UDC) Compatible Loop - Zone 1		1	UDC	UDC2X	\$16.84	\$104.17	\$78.1	\$108.95	\$57.01	\$3.50	\$18.94	\$8.42	\$17.77			
		2-Wire Universal Digital Channel (UDC) Compatible Loop - Zone 2		2	UDC	UDC2X	\$19.45	\$104.17	\$78.1	\$108.95	\$57.01	\$3.50	\$18.94	\$8.42	\$17.77			
		2-Wire Universal Digital Channel (UDC) Compatible Loop - Zone 3		3	UDC	UDC2X	\$30.92	\$104.17	\$78.1	\$108.95	\$57.01	\$3.50	\$18.94	\$8.42	\$17.77			
2-WIRE ASYMMETRICAL DIGITAL SUBSCRIBER LINE (ADSL) COMPATIBLE LOOP																		
		2 Wire Unbundled ADSL Loop including manual service inquiry & facility reservation - Zone 1		1	UAL	UAL2X	\$12.09	\$514.21	\$464.58	\$106.65	\$56.98	\$3.50	\$27.37	\$12.97	\$17.77			
		2 Wire Unbundled ADSL Loop including manual service inquiry & facility reservation - Zone 2		2	UAL	UAL2X	\$19.64	\$514.21	\$464.58	\$106.65	\$56.98	\$3.50	\$27.37	\$12.97	\$17.77			
		2 Wire Unbundled ADSL Loop including manual service inquiry & facility reservation - Zone 3		3	UAL	UAL2X	\$35.59	\$514.21	\$464.58	\$106.65	\$56.98	\$3.50	\$27.37	\$12.97	\$17.77			
		Order Coordination for Specified Conversion Time (per LSR)			UAL	OCOSL		\$45.99										
		2 Wire Unbundled ADSL Loop without manual service inquiry & facility reservaton - Zone 1		1	UAL	UAL2W	\$12.09	\$204.88	\$129.08	\$100.52	\$15.82	\$3.50	\$19.99					

BELLSOUTH / METROMEDIA FIBER NETWORK SERVICES RATES
Unbundled Network Elements
ALABAMA

CATEGORY	NOTES	UNBUNDLED NETWORK ELEMENT	Interim	Zone	BCS	USOC	RATES					OSS RATES									
							Rec	First	Add'l	First	Add'l	SOME C	SOMAN	SOMAN	SOMAN	SOMAN	SOMAN	SOMAN			
																			Nonrecuring	Nonrecuring	Disconnect
		2 Wire Unbundled ADSL Loop without manual service inquiry & facility reservation - Zone 2		2	UAL	UAL2W	\$19.64	\$204.88	\$129.08	\$100.52	\$15.82	\$3.50	\$19.99								
		2 Wire Unbundled ADSL Loop without manual service inquiry & facility reservation - Zone 3		3	UAL	UAL2W	\$35.59	\$204.88	\$129.08	\$100.52	\$15.82	\$3.50	\$19.99								
		Order Coordination for Specified Conversion Time (per LSR)			UAL	OCOSL		\$45.99													
		2-WIRE HIGH BIT RATE DIGITAL SUBSCRIBER LINE (HDSL) COMPATIBLE LOOP																			
		2-WIRE HIGH BIT RATE DIGITAL SUBSCRIBER LINE (HDSL) COMPATIBLE LOOP																			
		2 Wire Unbundled HDSL Loop including manual service inquiry & facility reservation - Zone 1		1	UHL	UHL2X	\$9.41	\$514.21	\$464.58	\$106.65	\$56.98	\$3.50		\$27.37	\$12.97	\$17.77					
		2 Wire Unbundled HDSL Loop including manual service inquiry & facility reservation - Zone 2		2	UHL	UHL2X	\$15.29	\$514.21	\$464.58	\$106.65	\$56.98	\$3.50		\$27.37	\$12.97	\$17.77					
		2 Wire Unbundled HDSL Loop including manual service inquiry & facility reservation - Zone 3		3	UHL	UHL2X	\$27.70	\$514.21	\$464.58	\$106.65	\$56.98	\$3.50		\$27.37	\$12.97	\$17.77					
		Order Coordination for Specified Conversion Time			UHL	OCOSL		\$45.99													
		2 Wire Unbundled HDSL Loop without manual service inquiry and facility reservation - Zone 1		1	UHL	UHL2W	\$9.41	\$222.2	\$146.4	\$100.52	\$15.82	\$3.50	\$19.99								
		2 Wire Unbundled HDSL Loop without manual service inquiry and facility reservation - Zone 2		2	UHL	UHL2W	\$15.29	\$222.2	\$146.4	\$100.52	\$15.82	\$3.50	\$19.99								
		2 Wire Unbundled HDSL Loop without manual service inquiry and facility reservation - Zone 3		3	UHL	UHL2W	\$27.70	\$222.2	\$146.4	\$100.52	\$15.82	\$3.50	\$19.99								
		Order Coordination for Specified Conversion Time			UHL	OCOSL		\$45.99													
		4-WIRE HIGH BIT RATE DIGITAL SUBSCRIBER LINE (HDSL) COMPATIBLE LOOP																			
		4 Wire Unbundled HDSL Loop including manual service inquiry and facility reservation - Zone 1		1	UHL	UHL4X	\$11.52	\$541.13	\$491.50	\$106.65	\$56.98	\$3.50		\$27.37	\$12.97	\$17.77					
		4-Wire Unbundled HDSL Loop including manual service inquiry and facility reservation - Zone 2		2	UHL	UHL4X	\$18.71	\$541.13	\$491.50	\$106.65	\$56.98	\$3.50		\$27.37	\$12.97	\$17.77					
		4-Wire Unbundled HDSL Loop including manual service inquiry and facility reservation - Zone 3		3	UHL	UHL4X	\$33.90	\$541.13	\$491.50	\$106.65	\$56.98	\$3.50		\$27.37	\$12.97	\$17.77					
		Order Coordination for Specified Conversion Time			UHL	OCOSL		\$45.99													
		4-Wire Unbundled HDSL Loop without manual service inquiry and facility reservation - Zone 1		1	UHL	UHL4W	\$11.52	\$279.39	\$203.59	\$109.99	\$20.7	\$3.50	\$19.99								
		4-Wire Unbundled HDSL Loop without manual service inquiry and facility reservation - Zone 2		2	UHL	UHL4W	\$18.71	\$279.39	\$203.59	\$109.99	\$20.7	\$3.50	\$19.99								
		4-Wire Unbundled HDSL Loop without manual service inquiry and facility reservation - Zone 3		3	UHL	UHL4W	\$33.90	\$279.39	\$203.59	\$109.99	\$20.7	\$3.50	\$19.99								
		Order Coordination for Specified Conversion Time			UHL	OCOSL		\$45.99													
		4-WIRE DS1 DIGITAL LOOP																			
		4-Wire DS1 Digital Loop - Zone 1		1	USL	USLXX	\$51.74	\$610.13	\$380.26	\$134.77	\$55.97	\$3.50		\$27.37	\$12.97	\$17.77					
		4-Wire DS1 Digital Loop - Zone 2		2	USL	USLXX	\$84.05	\$610.13	\$380.26	\$134.77	\$55.97	\$3.50		\$27.37	\$12.97	\$17.77					
		4-Wire DS1 Digital Loop - Zone 3		3	USL	USLXX	\$152.29	\$610.13	\$380.26	\$134.77	\$55.97	\$3.50		\$27.37	\$12.97	\$17.77					
		Order Coordination for Specified Conversion Time			USL	OCOSL		\$49.18													
		4-WIRE 19.2, 56 OR 64 KBPS DIGITAL GRADE LOOP																			
		4 Wire Unbundled Digital 19.2 Kbps		1	UDL	UDL19	\$27.33	\$498.05	\$343.7	\$129.62	\$64.25	\$3.5		\$27.37	\$12.97	\$17.77					
		4 Wire Unbundled Digital 19.2 Kbps		2	UDL	UDL19	\$44.4	\$498.05	\$343.7	\$129.62	\$64.25	\$3.5		\$27.37	\$12.97	\$17.77					
		4 Wire Unbundled Digital 19.2 Kbps		3	UDL	UDL19	\$80.45	\$498.05	\$343.7	\$129.62	\$64.25	\$3.5		\$27.37	\$12.97	\$17.77					
		4 Wire Unbundled Digital Loop 56 Kbps - Zone 1		1	UDL	UDL56	\$27.33	\$498.05	\$343.70	\$129.62	\$64.25	\$3.50		\$27.37	\$12.97	\$17.77					
		4 Wire Unbundled Digital Loop 56 Kbps - Zone 2		2	UDL	UDL56	\$44.40	\$498.05	\$343.70	\$129.62	\$64.25	\$3.50		\$27.37	\$12.97	\$17.77					
		4 Wire Unbundled Digital Loop 56 Kbps - Zone 3		3	UDL	UDL56	\$80.45	\$498.05	\$343.70	\$129.62	\$64.25	\$3.50		\$27.37	\$12.97	\$17.77					
		Order Coordination for Specified Conversion Time			UDL	OCOSL		\$45.99													
		4 Wire Unbundled Digital Loop 64 Kbps - Zone 1		1	UDL	UDL64	\$27.33	\$498.05	\$343.70	\$129.62	\$64.25	\$3.50		\$27.37	\$12.97	\$17.77					
		4 Wire Unbundled Digital Loop 64 Kbps - Zone 2		2	UDL	UDL64	\$44.40	\$498.05	\$343.70	\$129.62	\$64.25	\$3.50		\$27.37	\$12.97	\$17.77					
		4 Wire Unbundled Digital Loop 64 Kbps - Zone 3		3	UDL	UDL64	\$80.45	\$498.05	\$343.70	\$129.62	\$64.25	\$3.50		\$27.37	\$12.97	\$17.77					
		Order Coordination for Specified Conversion Time			UDL	OCOSL		\$45.99													
		2-WIRE UNBUNDLED COPPER LOOP																			
		2-Wire Unbundled Copper Loop/Short including manual service inquiry & facility reservation - Zone 1		1	UCL	UCLPB	\$11.90	\$283.37	\$163.68	\$120.15	\$22.37	\$3.5	\$19.99								
		2-Wire Unbundled Copper Loop/Short including manual service inquiry & facility reservation - Zone 2		2	UCL	UCLPB	\$13.74	\$283.37	\$163.68	\$120.15	\$22.37	\$3.5	\$19.99								

BELLSOUTH / METROMEDIA FIBER NETWORK SERVICES RATES
Unbundled Network Elements
ALABAMA

CATEGORY	NOTES	UNBUNDLED NETWORK ELEMENT	Interim	Zone	BCS	USOC	RATES					OSS RATES									
							Rec	First	Add'l	First	Add'l	SOMEC	SOMAN	SOMAN	SOMAN	SOMAN	SOMAN				
																		Nonrecurrent		Nonrecurrent	
																		Disconnect	First	Disconnect	First
		2-Wire Unbundled Copper Loop/Short including manual service inquiry & facility reservation - Zone 3		3	UCL	UCLPB	\$21.83	\$283.37	\$163.68	\$120.15	\$22.37	\$3.5	\$19.99								
		Order Coordination for Unbundled Copper Loops (per loop)			UCL	UCLMC		\$51.29	\$51.29												
		2-Wire Unbundled Copper Loop/Short without manual service inquiry and facility reservation - Zone 1	I	1	UCL	UCLPW	\$11.9	\$104.17	\$78.1			\$3.5		\$18.94	\$8.42						
		2-Wire Unbundled Copper Loop/Short without manual service inquiry and facility reservation - Zone 2	I	2	UCL	UCLPW	\$13.74	\$104.17	\$78.1			\$3.5		\$18.94	\$8.42						
		2-Wire Unbundled Copper Loop/Short without manual service inquiry and facility reservation - Zone 3	I	3	UCL	UCLPW	\$21.83	\$104.17	\$78.1			\$3.5		\$18.94	\$8.42						
		Order Coordination for Unbundled Copper Loops (per loop)			UCL	UCLMC		\$51.29	\$51.29												
		2-Wire Unbundled Copper Loop/Long - includes manual svc. inquiry and facility reservation - Zone 1		1	UCL	UCL2L	\$35.43	\$270.28	\$150.59	\$120.15	\$22.37	\$3.5	\$19.99								
		2-Wire Unbundled Copper Loop/Long - includes manual svc. inquiry and facility reservation - Zone 2		2	UCL	UCL2L	\$40.91	\$270.28	\$150.59	\$120.15	\$22.37	\$3.5	\$19.99								
		2-Wire Unbundled Copper Loop/Long - includes manual svc. inquiry and facility reservation - Zone 3		3	UCL	UCL2L	\$65.02	\$270.28	\$150.59	\$120.15	\$22.37	\$3.5	\$19.99								
		Order Coordination for Unbundled Copper Loops (per loop)			UCL	UCLMC		\$51.29	\$51.29												
		2-Wire Unbundled Copper Loop/Long - without manual service inquiry and facility reservation - Zone 1	I	1	UCL	UCL2W	\$35.43	\$104.17	\$78.1			\$3.5		\$18.94	\$8.42						
		2-Wire Unbundled Copper Loop/Long - without manual service inquiry and facility reservation - Zone 2	I	2	UCL	UCL2W	\$40.91	\$104.17	\$78.1			\$3.5		\$18.94	\$8.42						
		2-Wire Unbundled Copper Loop/Long - without manual service inquiry and facility reservation - Zone 3	I	3	UCL	UCL2W	\$65.02	\$104.17	\$78.1			\$3.5		\$18.94	\$8.42						
		Order Coordination for Unbundled Copper Loops (per loop)			UCL	UCLMC		\$51.29	\$51.29												
		2-Wire Unbundled Copper Loop - Non-Designed Zone 1	I	1	UEQ	UEQ2X	\$11.01	\$44.69	\$22.40	\$25.65	\$7.06	\$3.50		\$27.37	\$12.97						
		2-Wire Unbundled Copper Loop - Non-Designed - Zone 2	I	2	UEQ	UEQ2X	\$12.67	\$44.69	\$22.40	\$25.65	\$7.06	\$3.50		\$27.37	\$12.97						
		2-Wire Unbundled Copper Loop - Non-Designed - Zone 3	I	3	UEQ	UEQ2X	\$20.22	\$44.69	\$22.40	\$25.65	\$7.06	\$3.50		\$27.37	\$12.97						
		Order Coordination 2 Wire Unbundled Copper Loop - Non-Designed (per loop)			UEQ	USBMC		\$51.29	\$51.29												
		Engineering Information Document			UEQ			\$28.75	\$28.75												
		Loop Testing - Basic 1st Half Hour			UEQ	URET1		\$78.92	\$78.92												
		Loop Testing - Basic Additional Half Hour			UEQ	URETA		\$23.33	\$23.33												
		4-WIRE COPPER LOOP																			
		4-Wire Copper Loop/Short - including manual service inquiry and facility reservation - Zone 1		1	UCL	UCL4S	\$16.65	\$331.78	\$212.09	\$130.69	\$27.6	\$3.5	\$19.99								
		4-Wire Copper Loop/Short - including manual service inquiry and facility reservation - Zone 2		2	UCL	UCL4S	\$19.22	\$331.78	\$212.09	\$130.69	\$27.6	\$3.5	\$19.99								
		4-Wire Copper Loop/Short - including manual service inquiry and facility reservation - Zone 3		3	UCL	UCL4S	\$30.55	\$331.78	\$212.09	\$130.69	\$27.6	\$3.5	\$19.99								
		Order Coordination for Unbundled Copper Loops (per loop)			UCL	UCLMC		\$36.46	\$36.46												
		4-Wire Copper Loop/Short - without manual service inquiry and facility reservation - Zone 1	I	1	UCL	UCL4W	\$16.65	\$104.17	\$78.1			\$3.5		\$18.94	\$8.42						
		4-Wire Copper Loop/Short - without manual service inquiry and facility reservation - Zone 2	I	2	UCL	UCL4W	\$19.22	\$104.17	\$78.1			\$3.5		\$18.94	\$8.42						
		4-Wire Copper Loop/Short - without manual service inquiry and facility reservation - Zone 3	I	3	UCL	UCL4W	\$30.55	\$104.17	\$78.1			\$3.5		\$18.94	\$8.42						
		Order Coordination for Unbundled Copper Loops (per loop)			UCL	UCLMC		\$36.46	\$36.46												
		4-Wire Unbundled Copper Loop/Long - includes manual svc. inquiry and facility reservation - Zone 1		1	UCL	UCL4L	\$47.56	\$318.7	\$199.000	\$130.69	\$27.6	\$3.5	\$19.99								
		4-Wire Unbundled Copper Loop/Long - includes manual svc. inquiry and facility reservation - Zone 2		2	UCL	UCL4L	\$54.92	\$318.7	\$199.000	\$130.69	\$27.6	\$3.5	\$19.99								
		4-Wire Unbundled Copper Loop/Long - includes manual svc. inquiry and facility reservation - Zone 3		3	UCL	UCL4L	\$87.3	\$318.7	\$199.000	\$130.69	\$27.6	\$3.5	\$19.99								
		Order Coordination for Unbundled Copper Loops (per loop)			UCL	UCLMC		\$36.46	\$36.46												
		4-Wire Unbundled Copper Loop/Long - without manual svc. inquiry and facility reservation - Zone 1	I	1	UCL	UCL4O	\$47.56	\$104.17	\$78.1			\$3.5		\$18.94	\$8.42						
		4-Wire Unbundled Copper Loop/Long - without manual svc. inquiry and facility reservation - Zone 2	I	2	UCL	UCL4O	\$54.92	\$104.17	\$78.1			\$3.5		\$18.94	\$8.42						
		4-Wire Unbundled Copper Loop/Long - without manual svc. inquiry and facility reservation - Zone 3	I	3	UCL	UCL4O	\$87.3	\$104.17	\$78.1			\$3.5		\$18.94	\$8.42						
		Order Coordination for Unbundled Copper Loops (per loop)			UCL	UCLMC		\$36.46	\$36.46												

BELLSOUTH / METROMEDIA FIBER NETWORK SERVICES RATES
Unbundled Network Elements
ALABAMA

CATEGORY	NOTES	UNBUNDLED NETWORK ELEMENT	Interim	Zone	BCS	USOC	RATES					OSS RATES							
							Rec	First	Add'l	First	Add'l	Svc Order Submitted Elec per LSR	Svc Order Submitted Manually per LSR	Incremental Charge - Manual Svc Order vs. Electronic-1st	Incremental Charge - Manual Svc Order vs. Electronic-Add'l	Incremental Charge - Manual Svc Order vs. Electronic-Disc 1st	Incremental Charge - Manual Svc Order vs. Electronic-Disc Add'l		
																		Nonrecuring	Nonrecuring
LOOP MODIFICATION		Unbundled Loop Modification, Removal of Load Coils - 2 Wire pair less than or equal to 18k ft	I		UAL, UHL, UCL, UEQ	ULM2L		\$67.39	\$67.39										
		Unbundled Loop Modification, Removal of Load Coils - 4 wire greater than 18k ft	I		UCL	ULM2G		\$337.5	\$337.5										
		Unbundled Loop Modification Removal of Load Coils - 4 Wire less than or equal to 18K ft	I		UHL, UCL	ULM4L		\$67.39	\$67.39										
		Unbundled Loop Modification Removal of Load Coils - 4 Wire pair greater than 18k ft	I		UCL	ULM4G		\$337.5	\$337.5										
		Unbundled Loop Modification Removal of Bridged Tap Removal, per unbundled loop	I		UAL, UHL, UCL, UEQ, UEF	ULMBT		\$78.1	\$78.1										
SUB-LOOPS																			
		Sub-Loop Distribution																	
		Sub-Loop - Per Cross Box Location - CLEC Feeder Facility Set-Up	I		UEANL	USBSA		\$421.08	\$421.08		\$3.50		\$18.94	\$8.42					
		Sub-Loop - Per Cross Box Location - Per 25 Pair Panel Set-Up	I		UEANL	USBSB		\$67.10	\$67.10		\$3.50		\$18.94	\$8.42					
		Sub-Loop - Per Building Equipment Room - CLEC Feeder Facility Set-Up	I		UEANL	USBSC		\$394.74	\$394.74		\$3.50		\$18.94	\$8.42					
		Sub-Loop - Per Building Equipment Room - Per 25 Pair Panel Set-Up	I		UEANL	USBSD		\$154.57	\$154.57		\$3.50		\$18.94	\$8.42					
		Sub-Loop Distribution Per 2-Wire Analog Voice Grade Loop - Statewide		sw	UEANL	USB2	\$9.12	\$207.01	\$171.32		\$3.50		\$18.94	\$8.42					
		Order Coordination for Unbundled Sub-Loops, per sub-loop pair			UEANL	USBMC		\$45.99	\$45.99										
		Sub-Loop Distribution Per 4-Wire Analog Voice Grade Loop - Statewide		sw	UEANL	USB4	\$8.32	\$219.35	\$72.99	\$123.72	\$28.77	\$3.50		\$18.94	\$8.42				
		Order Coordination for Unbundled Sub-Loops, per sub-loop pair			UEANL	USBMC		\$45.99	\$45.99										
		Sub-Loop 2-Wire Intra-building Network Cable (INC)	I		UEANL	USBR2	\$1.61	\$137.03	\$41.59	\$115.85	\$19.17	\$3.50		\$18.94	\$8.42				
		Order Coordination for Unbundled Sub-Loops, per sub-loop pair			UEANL	USBMC		\$45.99	\$45.99										
		Sub-Loop 4-Wire Intra-building Network Cable (INC)	I		UEANL	USBR4	\$2.96	\$176.46	\$55.11	\$122.17	\$19.57	\$3.50		\$18.94	\$8.42				
		Order Coordination for Unbundled Sub-Loops, per sub-loop pair			UEANL	USBMC		\$45.99	\$45.99										
		2 Wire Copper Unbundled Sub-Loop Distribution - Statewide		sw	UEF	UCS2X	\$5.54	\$175.16	\$55.50	\$108.86	\$24.53	\$3.50		\$18.94					
		Order Coordination for Unbundled Sub-Loops, per sub-loop pair			UEF	USBMC		\$45.99	\$45.99										
		4 Wire Copper Unbundled Sub-Loop Distribution - Statewide		sw	UEF	UCS4X	\$6.89	\$219.35	\$72.99	\$123.72	\$28.77	\$3.50		\$18.94					
		Order Coordination for Unbundled Sub-Loops, per sub-loop pair			UEF	USBMC		\$45.99	\$45.99										
		Sub-Loop Feeder																	
		USL-Feeder, DS0 Set-up per Cross Box location - CLEC Distribution Facility set-up			UEA, UDN,UCL,UDL,UDC	USBFW		\$421.08											
		USL Feeder - DS0 Set-up per Cross Box location - per 25 pair set-up			UEA, UDN,UCL,UDL,UDC	USBFX		\$67.1	\$67.1										
		USL Feeder DS1 Set-up at DSX location, per DS1 termination			USL	USBFZ		\$519.95	\$11.32										
		Unbundled Sub-Loop Feeder Loop, 2 Wire Ground-Start, Voice Grade-Statewide		sw	UEA	USBFA	\$8.58	\$206.44	\$170.05	\$119.95	\$27.04	\$3.50		\$18.94	\$8.42				
		Order Coordination for Specified Conversion Time, per LSR			UEA	OCOSL		\$45.99											
		Unbundled Sub-Loop Feeder Loop, 2 Wire Loop-Start, Voice Grade - Statewide		sw	UEA	USBFB	\$8.58	\$206.44	\$170.05	\$119.95	\$27.04	\$3.50		\$18.94	\$8.42				
		Order Coordination for Specified Time Conversion, per LSR			UEA	OCOSL		\$45.99											
		Unbundled Sub-Loop Feeder Loop, 2 Wire Reverse Battery, Voice Grade Loop - Statewide		sw	UEA	USBFC	\$8.58	\$206.44	\$170.05	\$119.95	\$27.04	\$3.50	\$19.99						
		Order Coordination For Specified Conversion Time, per LSR			UEA	OCOSL		\$45.99											
		Unbundled Sub-Loop Feeder Loop, 4 Wire Ground-Start, Voice Grade-Statewide		sw	UEA	USBFD	\$19.91	\$243.41	\$81.32	\$134.77	\$33.93	\$3.50	\$19.99						
		Order Coordination For Specified Conversion Time, Per LSR			UEA	OCOSL		\$45.99											
		Unbundled Sub-Loop Feeder Loop, 4 Wire Loop-Start, Voice Grade - Statewide		sw	UEA	USBFE	\$19.91	\$243.41	\$81.32	\$134.77	\$33.93	\$3.50	\$19.99						
		Order Coordination For Specified Conversion Time, Per LSR			UEA	OCOSL		\$45.99											
		Unbundled Sub-Loop Feeder Loop, 2-Wire ISDN BRI - Statewide		sw	UDN	USBFH	\$17.73	\$208.5	\$62.31	\$119.68	\$29.58	\$3.50	\$19.99						
		Order Coordination For Specified Conversion Time, Per LSR			UDN	OCOSL		\$45.99											
		Unbundled Sub-Loop Feeder, 2 Wire UDC (IDSL compatible)		sw	UDC	USBFS	\$17.73	\$208.5	\$62.31	\$119.68	\$29.58	\$3.5	\$19.99						
		Unbundled Sub-Loop Feeder Loop, 4-Wire DS1 - Statewide		sw	USL	USBFG	\$79.3	\$203.69	\$128.76	\$124.09	\$34.8	\$3.50	\$19.99						
		Order Coordination For Specified Conversion Time, Per LSR			USL	OCOSL		\$45.99											
		Unbundled Sub-Loop Feeder Loop, 2-Wire Copper Loop - Statewide		sw	UCL	USBFH	\$7.22	\$195.38	\$63.15	\$119.68	\$29.58	\$3.50	\$19.99						
		Order Coordination For Specified Conversion Time, per LSR			UCL	OCOSL		\$45.99											
		Sub-Loop Feeder - Per 4-Wire Copper Loop - Statewide		sw	UCL	USBFJ	\$13.72	\$243.41	\$81.32	\$134.77	\$33.93	\$3.50	\$19.99						

BELLSOUTH / METROMEDIA FIBER NETWORK SERVICES RATES
Unbundled Network Elements
ALABAMA

CATEGORY	NOTES	UNBUNDLED NETWORK ELEMENT	Interim	Zone	BCS	USOC	RATES					OSS RATES						
							Rec	First	Add'l	Nonrecurring		Svc Order Submitted Elec per LSR	Svc Order Submitted Manually per LSR	Incremental Charge - Manual Svc Order vs. Electronic-1st	Incremental Charge - Manual Svc Order vs. Electronic-Add'l	Incremental Charge - Manual Svc Order vs. Electronic-Disc 1st	Incremental Charge - Manual Svc Order vs. Electronic-Disc Add'l	
										First	Disconnect							First
							SOMECD	SOMAN	SOMAN	SOMAN	SOMAN	SOMAN	SOMAN					
		Order Coordination For Specified Conversion Time, per LSR			UCL	OCOSL		\$45.99										
		Sub-Loop Feeder - Per 4-Wire 19.2 Kbps Digital Grade Loop	sw		UDL	UBSFN	\$24.5	\$243.41	\$81.32	\$134.77	\$33.93	\$3.5	\$19.99					
		Sub-Loop Feeder - Per 4-Wire 56 Kbps Digital Grade Loop - Statewide	sw		UDL	USBFO	\$24.5	\$243.41	\$81.32	\$134.77	\$33.93	\$3.50	\$19.99					
		Order Coordination For Specified Time Conversion, per LSR			UDL	OCOSL		\$45.99										
		Sub-Loop Feeder - Per 4-Wire 64 Kbps Digital Grade Loop - Statewide	sw		UDL	USBFP	\$24.5	\$243.41	\$81.32	\$134.77	\$33.93	\$3.50	\$19.99					
		Order Coordination For Specified Conversion Time, per LSR			UDL	OCOSL		\$45.99										
		Unbundled Sub-Loop Modification																
		Unbundled Sub-Loop Modification - 2-W Copper Dist Load Coil/Equip Removal per 2-W PR			UEF	ULM2X		\$355.71	\$12.26			\$3.50						
		Unbundled Sub-loop Modification - 4-W Copper Dist Load Coil/Equip Removal per 4-W PR			UEF	ULM4X		\$355.71	\$12.26			\$3.50						
		Unbundled Sub-loop Modification - 2-w/4-w Copper Dist Bridged Tap Removal, per PR unloaded			UEF	ULM4T		\$560.55	\$14.30			\$3.50						
		Unbundled Network Terminating Wire (UNTW)																
		Unbundled Network Terminating Wire (UNTW) per Pair			UENTW	UENPP	\$1.37	\$2.48	\$2.48	\$1.74	\$1.74	\$3.50		\$18.94	\$8.42			
		Network Interface Device (NID)																
		Network Interface Device (NID) - 1-2 lines			UENTW	UND12		\$86.46	\$56.75									
		Network Interface Device (NID) - 1-6 lines			UENTW	UND16		\$127.93	\$98.21									
		Network Interface Device Cross Connect - 2 W			UENTW	UNDC2		\$11.73	\$11.73			\$3.50		\$18.94	\$8.42			
		Network Interface Device Cross Connect - 4W			UENTW	UNDC4		\$11.73	\$11.73			\$3.50		\$18.94	\$8.42			
		UNBUNDLED LOOP CONCENTRATION																
		Unbundled Loop Concentration - System A (TR008)			ULC	UCT8A	\$441.42	\$650.81	\$650.81									
		Unbundled Loop Concentration - System B (TR008)			ULC	UCT8B	\$52.97	\$271.17	\$271.17									
		Unbundled Loop Concentration - System A (TR303)			ULC	UCT3A	\$478.93	\$650.81	\$650.81									
		Unbundled Loop Concentration - System B (TR303)			ULC	UCT3B	\$89.26	\$271.17	\$271.17									
		Unbundled Loop Concentration - DS1 Loop Interface Card			ULC	UCTCO	\$5.04	\$126.57	\$92.14	\$33.57	\$9.4							
		Unbundled Loop Concentration - ISDN Loop Interface (Brite Card)			UDN	ULCC1	\$8.0	\$21.07	\$20.96	\$10.78	\$10.71							
		Unbundled Loop Concentration - UDC Loop Interface (Brite Card)			UDC	ULCCU	\$8.0	\$21.07	\$20.96	\$10.78	\$10.71							
		Unbundled Loop Concentration - 2 Wire Voice-Loop Start or Ground Start Loop Interface (POTS Card)			UEA	ULCC2	\$2.0	\$21.07	\$20.96	\$10.78	\$10.71							
		Unbundled Loop Concentration - 2 Wire Voice - Reverse Battery Loop Interface (SPOTS Card)			UEA	ULCCR	\$11.89	\$21.07	\$20.96	\$10.78	\$10.71							
		Unbundled Loop Concentration - 4 Wire Voice Loop Interface			UEA	ULCC4	\$7.09	\$21.07	\$20.96	\$10.78	\$10.71							
		Unbundled Loop Concentration - TEST CIRCUIT Card			ULC	UCTTC	\$34.67	\$21.07	\$20.96	\$10.78	\$10.71							
		Unbundled Loop Concentration - Digital 19.2 Kbps Data Loop Interface			UDL	ULCC7	\$10.51	\$21.07	\$20.96	\$10.78	\$10.71							
		Unbundled Loop Concentration - Digital 56 Kbps Data Loop Interface			UDL	ULCC5	\$10.51	\$21.07	\$20.96	\$10.78	\$10.71							
		Unbundled Loop Concentration - Digital 64 Kbps Data Loop Interface			UDL	ULCC6	\$10.51	\$21.07	\$20.96	\$10.78	\$10.71							
		UNBUNDLED SUB-LOOP CONCENTRATION (OUTSIDE CO)																
		UNE OTHER, PROVISIONING ONLY - NO RATE																
		NID - Dispatch and Service Order for NID installation			UENTW	UNDBX												
		UNTW Circuit Id Establishment, Provisioning Only - No Rate			UENTW	UENCE												
		Unbundled Contract Name, Provisioning Only - No Rate			UEANL,UEF,UEQ,UE NTW	UNECN												
		Unbundled Contact Name, Provisioning Only - no rate			UAL,UCL,UDC,UDL,U DN,UEA,UHL,ULC	UNECN	\$0.0	\$0.0										
		Unbundled Sub-Loop Feeder-2 Wire Cross Box Jumper - no rate			UEA,UDN,UCL,UDC	USBFQ	\$0.0	\$0.0										
		Unbundled Sub-Loop Feeder-4 Wire Cross Box Jumper - no rate			UEA,USL,UCL,UDL	USBFR	\$0.0	\$0.0										
		Unbundled DS1 Loop - Superframe Format Option - no rate			USL	CCOSF	\$0.0	\$0.0										
		Unbundled DS1 Loop - Expanded Superframe Format option - no rate			USL	CCOEF	\$0.0	\$0.0										
		HIGH CAPACITY UNBUNDLED LOCAL LOOP																

BELLSOUTH / METROMEDIA FIBER NETWORK SERVICES RATES
Unbundled Network Elements
ALABAMA

CATEGORY	NOTES	UNBUNDLED NETWORK ELEMENT	Interim	Zone	BCS	USOC	RATES					OSS RATES							
							Rec	Nonrecurring		Disconnect	Add'l	SOME C	SOMAN	SOMAN	SOMAN	SOMAN	SOMAN		
								First	Add'l									First	Add'l
	NOTE: 4 month minimum billing period																		
		High Capacity Unbundled Local Loop - DS3 - Per Mile per month			UE3	1L5ND	\$10.16												
		High Capacity Unbundled Local Loop - DS3 - Facility Termination per month			UE3	UE3PX	\$374.52	\$903.37	\$527.87	\$238.97	\$167.16	\$3.5		\$31.31	\$31.31	\$3.93	\$3.93		
		High Capacity Unbundled Local Loop - STS-1 - Per Mile per month			UDLSX	1L5ND	\$10.16												
		High Capacity Unbundled Local Loop - STS-1 - Facility Termination per month			UDLSX	UDLS1	\$387.67	\$903.03	\$527.87	\$238.97	\$167.16	\$3.5		\$31.31	\$31.31	\$3.93	\$3.93		
LOOP MAKE-UP																			
		Loop Makeup - Preordering Without Reservation, per working or spare facility queried (Manual). **		I	UMK	UMKLN		\$131.22	\$131.22										
		Loop Makeup - Preordering With Reservation, per spare facility queried (Manual). **		I	UMK	UMKLP		\$136.93	\$136.93										
		Loop Makeup--With or Without Reservation, per working or spare facility queried (Mechanized) **		I				\$0.9809855	#####										
LINE SHARING																			
		Line Sharing Splitter, per System 96 Line Capacity		I	ULS	ULSDA	\$152.7	\$221.09	\$0.0	\$254.79	\$0.0	\$0.0	\$0.0						
		Line Sharing Splitter, per System 24 Line Capacity		I	ULS	ULSDB	\$38.18	\$221.09	\$0.0	\$254.79	\$0.0	\$0.0	\$0.0						
		Line Sharing - per Line Activation		I	ULS	ULSDC	\$0.61	\$39.09	\$20.94	\$22.15	\$9.46	\$3.50	\$27.37	\$12.97	\$17.77	\$17.77			
		Line Sharing - per Subsequent Activity per Line Rearrangement		I	ULS	ULSDS		\$34.90	\$16.18			\$3.50	\$27.37	\$12.97					
		Line Sharing-CLEC/DLEC Owned Splitter in CO-per occurrence of each group of 24 lines (48 pr)		I	ULS	ULSDG		\$57.70		\$11.39									
UNBUNDLED TRANSPORT																			
		COMMON TRANSPORT (Shared)																	
		Common Transport - Per Mile, Per MOU					\$0.00001												
		Common Transport - Facilities Termination Per MOU					\$0.00045												
		NOTE: INTEROFFICE CHANNEL - DEDICATED TRANSPORT - minimum billing period: below DS3 = one month, DS3 and above four months																	
		INTEROFFICE CHANNEL - DEDICATED TRANSPORT - VOICE GRADE																	
		Interoffice Channel - Dedicated Transport - 2-Wire Voice Grade - Per Mile per month			U1TVX	1L5XX	\$0.0101												
		Interoffice Channel - Dedicated Transport- 2- Wire Voice Grade - Facility Termination per month			U1TVX	U1TV2	\$24.15	\$81.07	\$54.82	\$33.47	\$13.78	\$3.5	\$31.31	\$31.31	\$3.93	\$3.93			
		Interoffice Channel - Dedicated Transport- 2-Wire Voice Grade Rev Bat. - Per Mile per month			U1TVX	1L5XX	\$0.0101												
		Interoffice Channel - Dedicated Transport- 2- Wire VG Rev Bat. - Facility Termination per month			U1TVX	U1TR2	\$24.15	\$81.07	\$54.82	\$33.47	\$13.78	\$3.50	\$31.31	\$31.31	\$3.93	\$3.93			
		Interoffice Channel - Dedicated Transport - 4-Wire Voice Grade - Per Mile per month			U1TVX	1L5XX	\$0.0101												
		Interoffice Channel - Dedicated Transport - 4- Wire Voice Grade - Facility Termination per month			U1TVX	U1TV4	\$21.41	\$81.07	\$54.82	\$33.47	\$13.79	\$3.5	\$31.31	\$31.31	\$3.93	\$3.93			
		Interoffice Channel - Dedicated Transport - 56 kbps - per mile per month			U1TDX	1L5XX	\$0.0101												
		Interoffice Channel - Dedicated Transport - 56 kbps - Facility Termination per month			U1TDX	U1TD5	\$17.28	\$81.07	\$54.82	\$33.47	\$13.79	\$3.5	\$31.31	\$31.31	\$3.93	\$3.93			
		Interoffice Channel - Dedicated Transport - 64 kbps - per mile per month			U1TDX	1L5XX	\$0.0101												
		Interoffice Channel - Dedicated Transport - 64 kbps - Facility Termination per month			U1TDX	U1TD6	\$17.28	\$81.07	\$54.82	\$33.47	\$13.79	\$3.50	\$31.31	\$31.31	\$3.93	\$3.93			
		INTEROFFICE CHANNEL - DEDICATED TRANSPORT - DS1																	
		Interoffice Channel - Dedicated Channel - DS1 - Per Mile per month			U1TD1	1L5XX	\$0.2067												
		Interoffice Channel - Dedicated Transport - DS1 - Facility Termination per month			U1TD1	U1TF1	\$68.75	\$178.53	\$163.61	\$32.7	\$28.88	\$3.5	\$31.31	\$31.31	\$3.93	\$3.93			
		INTEROFFICE CHANNEL - DEDICATED TRANSPORT- DS3																	

BELLSOUTH / METROMEDIA FIBER NETWORK SERVICES RATES
Unbundled Network Elements
ALABAMA

CATEGORY	NOTES	UNBUNDLED NETWORK ELEMENT	Interim	Zone	BCS	USOC	RATES					OSS RATES								
							Rec	First	Add'l	First	Add'l	Svc Order Submitted Elec per LSR	Svc Order Submitted Manually per LSR	Incremental Charge - Manual Svc Order vs. Electronic-1st	Incremental Charge - Manual Svc Order vs. Electronic-Add'l	Incremental Charge - Manual Svc Order vs. Electronic-Disc 1st	Incremental Charge - Manual Svc Order vs. Electronic-Disc Add'l			
																		Disconnect		
		Interoffice Channel - Dedicated Transport - DS3 - Per Mile per month			U1TD3	1L5XX	\$4.67													
		Interoffice Channel - Dedicated Transport - DS3 - Facility Termination per month			U1TD3	U1TF3	\$804.02	\$557.49	\$325.51	\$120.39	\$116.91	\$3.5		\$31.31	\$31.31	\$3.93	\$3.93			
		INTEROFFICE CHANNEL - DEDICATED TRANSPORT- STS-1																		
		Interoffice Channel - Dedicated Transport - STS-1 - Per Mile per month			U1TS1	1L5XX	\$6.89													
		Interoffice Channel - Dedicated Transport - STS-1 - Facility Termination per month			U1TS1	U1TFS	\$801.57	\$557.49	\$325.51	\$120.39	\$116.91	\$3.5		\$31.31	\$31.31	\$3.93	\$3.93			
		LOCAL CHANNEL - DEDICATED TRANSPORT																		
		NOTE: LOCAL CHANNEL DEDICATED TRANSPORT - minimum billing period - below DS3=one month, DS3 and above=four months																		
		Local Channel - Dedicated - 2-Wire Voice Grade Per Month			ULCVX	ULDV2	\$15.96	\$386.19	\$66.33	\$73.28	\$6.39	\$12.43		\$31.31	\$31.31	\$3.93	\$3.93			
		Local Channel - Dedicated - 2-Wire Voice Grade Rev Bat per month			ULCVX	ULDR2	\$15.96	\$386.19	\$66.33	\$73.28	\$6.39	\$12.43		\$31.31	\$31.31	\$3.93	\$3.93			
		Local Channel - Dedicated - 4-Wire Voice Grade per month			UNCVX	ULDV4	\$17.06	\$387.21	\$67.20	\$74.22	\$7.33	\$12.43		\$31.31	\$31.31	\$3.93	\$3.93			
		Local Channel - Dedicated - DS1 per month - Zone 1		1	ULDD1	ULDF1	\$41.52	\$354.94	\$307.43	\$44.38	\$30.52	\$3.5		\$31.31	\$31.31	\$3.93	\$3.93			
		Local Channel - Dedicated - DS1 per month - Zone 2		2	ULDD1	ULDF1	\$61.05	\$354.94	\$41.52	\$307.43	\$44.38	\$3.50		\$31.31	\$31.31	\$3.93	\$3.93			
		Local Channel - Dedicated - DS1 per month - Zone 3		3	ULDD1	ULDF1	\$47.29	\$354.94	\$307.43	\$44.38	\$30.52	\$3.50		\$31.31	\$31.31	\$3.93	\$3.93			
		Local Channel - Dedicated - DS3 - Per Mile per month			ULDD3	1L5NC	\$7.91													
		Local Channel - Dedicated - DS3 - Facility Termination per month			ULDD3	ULDF3	\$476.04	\$903.37	\$527.87	\$238.87	\$167.16	\$3.5		\$31.31	\$31.31	\$3.93	\$3.93			
		Local Channel - Dedicated - STS-1 - Per Mile per month			ULDS1	1L5NC	\$7.91													
		Local Channel - Dedicated - STS-1 - Facility Termination per month			ULDS1	ULDFS	\$466.84	\$903.37	\$476.04	\$527.87	\$238.87	\$3.50		\$31.31	\$31.31	\$3.93	\$3.93			
		MULTIPLEXERS																		
		Channelization - DS1 to DS0 Channel System			UXTD1	MQ1	\$122.5	\$182.08	\$125.14	\$21.07	\$19.58	\$3.5		\$31.31	\$31.31	\$3.93	\$3.93			
		OCU-DP COCI (data) - DS1 to DS0 Channel System - per month (2.4-64kbs)			UDL	1D1DD	\$1.36	\$13.15	\$9.43											
		2-wire ISDN COCI (BRITE) - DS1 to DS0 Channel System - per month			UDN	UC1CA	\$2.92	\$13.15	\$9.43											
		Voice Grade COCI - DS1 to DS0 Channel System - per month			UEA	1D1VG	\$0.64	\$13.15	\$9.43											
		DS3 to DS1 Channel System per month			UXTD3	MQ3	\$201.37	\$356.28	\$187.94	\$66.51	\$63.65	\$3.5		\$31.31	\$31.31	\$3.93	\$3.93			
		STS1 to DS1 Channel System per month			UXTS1	MQ3	\$201.37													
		DS3 Interface Unit (DS1 COCI) used with Loop per month			USL	UC1D1	\$15.39	\$13.15	\$9.43											
		DARK FIBER																		
		Dark Fiber, Four Fiber Strands, Per Route Mile or Fraction Thereof per month - Local Channel			UDF	1L5DC	\$68.84													
		NRC Dark Fiber - Local Channel			UDF	UDFC4		\$1,278.17	\$275.73	\$634.11	\$395.32	\$3.5		\$31.31	\$31.31	\$3.93	\$3.93			
		Dark Fiber, Four Fiber Strands, Per Route Mile or Fraction Thereof per month - Interoffice Channel			UDF	1L5DF	\$25.53													
		NRC Dark Fiber - Interoffice Channel			UDF	UDF14		\$1,278.17	\$275.73	\$634.11	\$395.32	\$3.50		\$31.31	\$31.31	\$3.93	\$3.93			
		Dark Fiber, Four Fiber Strands, Per Route Mile or Fraction Thereof per month - Local Loop			UDF	1L5DL	\$68.84													
		NRC Dark Fiber - Local Loop			UDF	UDFL4		\$1,278.17	\$275.73	\$634.11	\$395.32	\$3.50		\$31.31	\$31.31	\$3.93	\$3.93			
		TRANSPORT OTHER																		
		Optional Features & Functions:																		
		Clear Channel Capability (B8ZS/ESF) Option - Subsequent - per DS1 Channel			UNC1X	CCOEF		\$184.85	\$23.81	\$1.99	\$0.77	\$3.50		\$29.23	\$3.93					
		Clear Channel Capability (B8ZS/SF) Option - Subsequent - per DS1 Channel			UNC1X	CCOSF		\$184.85	\$23.81	\$1.99	\$0.77	\$3.50		\$29.23	\$3.93					
		8XX ACCESS TEN DIGIT SCREENING																		
		8XX Access Ten Digit Screening, Per Call			OHD		\$0.0005													
		8XX Access Ten Digit Screening, Reservation Charge Per 8XX Number Reserved			OHD	N8R1X		\$7.13	\$0.97			\$3.50		\$27.37	\$27.37					
		8XX Access Ten Digit Screening, Per 8XX No. Established W/O POTS Translations			OHD			\$15.88	\$1.97	\$10.04	\$0.97	\$3.50		\$27.37	\$27.37	\$17.75	\$17.75			
		8XX Access Ten Digit Screening, Per 8XX No. Established With POTS Translations			OHD	N8FTX		\$15.88	\$1.97	\$10.04	\$0.97	\$3.50		\$27.37	\$27.37	\$17.75	\$17.75			

BELLSOUTH / METROMEDIA FIBER NETWORK SERVICES RATES
Unbundled Network Elements
ALABAMA

CATEGORY	NOTES	UNBUNDLED NETWORK ELEMENT	Interim	Zone	BCS	USOC	RATES					OSS RATES							
							Rec	Nonrecurring		First	Add'l	Svc Order Submitted Elec per LSR	Svc Order Submitted Manually per LSR	Incremental Charge - Manual Svc Order vs. Electronic-1st	Incremental Charge - Manual Svc Order vs. Electronic-Add'l	Incremental Charge - Manual Svc Order vs. Electronic-Disc 1st	Incremental Charge - Manual Svc Order vs. Electronic-Disc Add'l		
								First	Add'l									Disconnect	First
		8XX Access Ten Digit Screening, Customized Area of Service Per 8XX Number			OHD	N8FCX		\$5.69	\$2.85										
		8XX Access Ten Digit Screening, Multiple InterLATA CXR Routing Per CXR Requested Per 8XX No.			OHD	N8FMX		\$6.66	\$3.81										
		8XX Access Ten Digit Screening, Change Charge Per Request			OHD	N8FAX		\$8.10	\$9.97			\$3.50		\$27.37	\$27.37				
		8XX Access Ten Digit Screening, Call Handling and Destination Features			OHD	N8FDX		\$5.69				\$3.50							
LINE INFORMATION DATA BASE ACCESS (LIDB)																			
		LIDB Common Transport Per Query				OQT		\$0.00004											
		LIDB Validation Per Query				OQU		\$0.0142											
		LIDB Originating Point Code Establishment or Change							\$64.36			\$3.50							
SIGNALING (CCS7)																			
		CCS7 Signaling Termination, Per STP Port						\$148.72				\$3.50							
		CCS7 Signaling Usage, Per TCAP Message						\$0.0001											
		CCS7 Signaling Connection, Per link (A link)						\$18.79	\$171.98	\$171.98	\$135.70	\$135.70	\$3.50	\$25.93	\$25.93	\$16.31	\$16.31		
		CCS7 Signaling Connection, Per link (B link) (also known as D link)						\$18.79	\$171.98	\$171.98	\$135.70	\$135.70	\$3.50	\$25.93	\$25.93	\$16.31	\$16.31		
		CCS7 Signaling Usage, Per ISUP Message						\$0.00004											
		CCS7 Signaling Usage Surrogate, per link per LATA						\$376.12				\$3.50							
		CCS7 Signaling Point Code, Establishment or Change, per STP affected						\$62.00				\$3.50							
CALLING NAME (CNAM) SERVICE																			
		CNAM for DB Owners, Per Query						\$0.016											
		CNAM for Non DB Owners, Per Query						\$0.01											
		CNAM (Non-Databs Owner), NRC, applies when using the Character Based User Interface (CHUI)			OQV	CDDCH		\$595.00				\$3.50							
OPERATOR SERVICES AND DIRECTORY ASSISTANCE																			
OPERATOR CALL PROCESSING																			
		Oper. Call Processing - Oper. Provided, Per Min. - Using BST LIDB						\$1.2											
		Oper. Call Processing - Oper. Provided, Per Min. - Using Foreign LIDB						\$1.24											
		Oper. Call Processing - Fully Automated, per Call - Using BST LIDB						\$0.20											
		Oper. Call Processing - Fully Automated, per Call - Using Foreign LIDB						\$0.20											
INWARD OPERATOR SERVICES																			
		Inward Operator Services - Verification, Per Minute						\$1.15											
		Inward Operator Services - Verification and Emergency Interrupt - Per Minute						\$1.15											
BRANDING - OPERATOR CALL PROCESSING																			
		Recording of Custom Branded OA Announcement				CBAOS		\$7,000.00	\$7,000.00	\$9.61	\$9.61								
		Loading of Custom Branded OA Announcement per shelf/NAV				CBAOL		\$500.00	\$500.00			\$3.50							
DIRECTORY ASSISTANCE SERVICES																			
DIRECTORY ASSISTANCE ACCESS SERVICE																			
		Directory Assistance Access Service Calls, Charge Per Call						\$0.275											
DIRECTORY ASSISTANCE CALL COMPLETION ACCESS SERVICE (DACC)																			
		Directory Assistance Call Completion Access Service (DACC), Per Call Attempt						\$0.10											
UNBRANDING																			
DIRECTORY TRANSPORT																			
		Directory Transport - Local Channel DS1						\$35.52	\$503.57	\$442.84	\$46.28	\$32.18	\$3.50	\$61.99	\$29.27				
		Directory Transport - DS1 Level Interoffice Per Mile						\$0.6923					\$3.5						
		Directory Transport - DS1 Level Interoffice Per Facility Termination						\$79.69	\$198.15	\$148.18	\$25.44	\$20.42	\$3.50	\$27.37	\$27.37	\$12.97	\$12.97		
		Switched Common Transport Per DA Access Service Per Call						\$0.0003					\$3.5						

BELLSOUTH / METROMEDIA FIBER NETWORK SERVICES RATES
Unbundled Network Elements
ALABAMA

CATEGORY	NOTES	UNBUNDLED NETWORK ELEMENT	Interim	Zone	BCS	USOC	RATES					OSS RATES										
							Rec	First	Add'l	Nonrecurring		SOMECD	SOMAN	SOMAN	SOMAN	SOMAN	SOMAN					
										First	Disconnect											
		Switched Common Transport Per DA Access Service Per Call Per Mile					\$0.00003															
		Access Tandem Switching Per DA Access Service Per Call					\$0.0023															
		Directory Transport - DA Interconnection Per DA Service Call					\$0.00269															
		Directory Transport - Installation NRC, Per Trunk or Signaling Connection										\$260.69	\$5.95	\$173.46	\$5.95	\$3.50						
		DIRECTORY ASSISTANCE DATA BASE SERVICE (DADS)																				
		Directory Assistance Data Base Service Charge Per Listing					\$0.04															
		Directory Assistance Data Base Service, per month																				
		BRANDING - DIRECTORY ASSISTANCE																				
		Custom Branding Announcement, per Recording to be used with the provision of DA			AMT	CBADA	\$3,000.00	\$3,000.00														
		Loading of Custom Branded Announcement per DRAM Card/Switch			AMT	CBADC	\$690.00	\$690.00														
		SELECTIVE ROUTING																				
		Selective Routing Per Unique Line Class Code Per Request Per Switch				USRCR	\$230.60	\$230.60				\$3.50		\$40.71	\$9.58							
		VIRTUAL COLLOCATION																				
		Virtual Collocation - 2-wire Cross Connects (loop)			ueanl,uea,udn,udc,ual,uhl,ucl,ueq	UEAC2	\$0.28	\$30.76	\$29.40	\$12.75	\$11.38	\$3.50										
		Virtual Collocation - 2-wire Cross Connects (port)				VE1R2	\$0.28	\$30.76	\$29.40	\$12.75	\$11.38	\$3.50										
		Virtual Collocation - 4-wire Cross Connects (loop)			uea,uhl,ucl,ucl	UEAC4	\$0.56	\$66.71	\$50.43	\$12.82	\$11.39	\$3.50										
		Virtual Collocation - 4-wire Cross Connects (port)				VE1R4	\$0.56	\$66.71	\$50.43	\$12.82	\$11.39	\$3.50										
		Virtual Collocation - 2-Fiber Cross Connects				CNC2F	\$12.10	\$55.46	\$39.18	\$16.83	\$13.27	\$3.50										
		Virtual Collocation - 4-Fiber Cross Connects				CNC4F	\$21.75	\$66.71	\$50.43	\$21.86	\$18.31	\$3.50										
		Virtual Collocation - DS1 Cross Connects			USL,ULC	CNC1X	\$7.5	\$155.000	\$14.00													
		AIN SELECTIVE CARRIER ROUTING																				
		Regional Service Establishment			SRC	SRCEC	\$202,197.82	#####	#####													
		End Office Establishment			SRC	SRCEO	\$339.75	\$339.75	\$3.39													
		Query NRC, per query			SRC		\$0.0031412															
		AIN - BELLSOUTH AIN SMS ACCESS SERVICE																				
		AIN SMS Access Service - Service Establishment, Per State, Initial Setup				CAMSE	\$197.49		\$114.22			\$3.50	\$19.99									
		AIN SMS Access Service - Port Connection - Dial/Shared Access				CAMDP	\$64.05		\$27.04			\$3.50										
		AIN SMS Access Service - Port Connection - ISDN Access				CAM1P	\$64.05		\$27.04			\$3.50										
		AIN SMS Access Service - User Identification Codes - Per User ID Code				CAMAU	\$141.84		\$70.05			\$3.50										
		AIN SMS Access Service - Security Card, Per User ID Code, Initial or Replacement				CAMRC	\$142.13		\$35.26			\$3.50										
		AIN SMS Access Service - Storage, Per Unit (100 Kilobytes)					\$0.0026															
		AIN SMS Access Service - Session, Per Minute					\$0.0892															
		AIN SMS Access Service - Company Performed Session, Per Minute					\$2.08															
		AIN - BELLSOUTH AIN TOOLKIT SERVICE																				
		AIN Toolkit Service - Service Establishment Charge, Per State, Initial Setup				BAPSC	\$192.69		\$114.22			\$3.50	\$19.99									
		AIN Toolkit Service - Training Session, Per Customer				BAPVX	\$8,363					\$3.50										
		AIN Toolkit Service - Trigger Access Charge, Per Trigger, Per DN, Term. Attempt				BAPTT	\$49.64		\$27.04			\$3.50										
		AIN Toolkit Service - Trigger Access Charge, Per Trigger, Per DN, Off-Hook Delay				BAPTD	\$49.64		\$27.04			\$3.50										
		AIN Toolkit Service - Trigger Access Charge, Per Trigger, Per DN, Off-Hook Immediate				BAPTM	\$49.64		\$27.04			\$3.50										
		AIN Toolkit Service - Trigger Access Charge, Per Trigger, Per DN, 10-Digit PODP				BAPTO	\$117.98		\$37.90			\$3.50										
		AIN Toolkit Service - Trigger Access Charge, Per Trigger, Per DN, CDP				BAPTC	\$117.98		\$37.90			\$3.50										
		AIN Toolkit Service - Trigger Access Charge, Per Trigger, Per DN, Feature Code				BAPTF	\$117.98		\$37.90			\$3.50										

BELLSOUTH / METROMEDIA FIBER NETWORK SERVICES RATES
Unbundled Network Elements
ALABAMA

CATEGORY	NOTES	UNBUNDLED NETWORK ELEMENT	Interim	Zone	BCS	USOC	RATES					OSS RATES									
							Rec	First	Add'l	First	Add'l	Svc Order Submitted Elec per LSR	Svc Order Submitted Manually per LSR	Incremental Charge - Manual Svc Order vs. Electronic-1st	Incremental Charge - Manual Svc Order vs. Electronic-Add'l	Incremental Charge - Manual Svc Order vs. Electronic-Disc 1st	Incremental Charge - Manual Svc Order vs. Electronic-Disc Add'l				
																		Nonrecurring		Nonrecurring	
																		Disconnect	First	Disconnect	First
SOME	SOMAN	SOMAN	SOMAN	SOMAN	SOMAN																
		AIN Toolkit Service - Query Charge, Per Query					\$0.024														
		AIN Toolkit Service - Type 1 Node Charge, Per AIN Toolkit Subscription, Per Node, Per Query					\$0.006														
		AIN Toolkit Service - SCP Storage Charge, Per SMS Access Account, Per 100 Kilobytes					\$1.63														
		AIN Toolkit Service - Monthly report - Per AIN Toolkit Service Subscription				BAPMS	\$16.00	\$44.56		\$31.84		\$3.50									
		AIN Toolkit Service - Special Study - Per AIN Toolkit Service Subscription				BAPLS	\$0.10	\$47.74		\$15.90	\$15.90	\$3.50									
		AIN Toolkit Service - Call Event Report - Per AIN Toolkit Service Subscription				BAPDS	\$15.90	\$44.56		\$31.84		\$3.50									
		AIN Toolkit Service - Call Event Special Study - Per AIN Toolkit Service Subscription				BAPES	\$0.003	\$47.74				\$3.50									
ODUF/EDOUF/ADUF/CMDS																					
ACCESS DAILY USAGE FILE (ADUF)																					
		ADUF: Message Processing, per message					\$0.004														
		ADUF: Data Transmission (CONNECT:DIRECT), per message					\$0.001														
ENHANCED OPTIONAL DAILY USAGE FILE (EODUF)																					
		EODUF: Message Processing, per message					\$0.004														
OPTIONAL DAILY USAGE FILE (ODUF)																					
		ODUF: Recording, per message					\$0.0002														
		ODUF: Message Processing, per message					\$0.0033														
		ODUF: Message Processing, per Magnetic Tape provisioned					\$55.19														
		ODUF: Data Transmission (CONNECT:DIRECT), per message					\$0.00004														
ENHANCED EXTENDED LINK (EELs)																					
NOTE: New EELs available in State of Georgia, density zone 1 of following SMAs: Orlando, FL; Miami, FL; Ft. Lauderdale, FL; Nashville, TN; New Orleans, LA;																					
NOTE: Charlotte-Gastonia-Rockhill, NC; Greensboro-Winston Salem-High Point, NC. Use all rates below except Switch As Is Charge.																					
NOTE: In all states, EEL network elements shown below also apply to currently combined facilities which are converted to UNE rates. A Switch As Is Charge applies to currently combined facilities converted to UNEs.(Non-recurring rates do not apply.)																					
NOTE: In Georgia, the EEL network elements apply to ordinarily combined network elements per the GA PSC order.(No Switch As Is Charge.)																					
2-WIRE VOICE GRADE EXTENDED LOOP WITH DEDICATED DS1 INTEROFFICE TRANSPORT (EEL)																					
		First 2-Wire VG Loop(SL2)/DS1 Interofficed Transport Combination - Zone 1		1	UNCVX	UEAL2	\$20.42														
		First 2-Wire VG Grade Loop(SL2)/DS1 Interofficed Transport Combination - Zone 2		2	UNCVX	UEAL2	\$27.41														
		First 2-Wire VG Grade Loop(SL2)/DS1 Interofficed Transport Combination - Zone 3		3	UNCVX	UEAL2	\$35.89														
		Interoffice Transport - Dedicated - DS1 combination - Per Mile per month			UNC1X	1L5XX	\$0.2067														
		Interoffice Transport - Dedicated - DS1 combination - Facility Termination per month			UNC1X	U1TF1	\$68.75														
		DS1 Channelization System Per Month			UNC1X	MO1	\$122.5														
		Voice Grade COCI - DS1 To Ds0 Interface - Per Month			UNCVX	1D1VG	\$0.64														
		Each Additional 2-Wire VG Loop(SL 2) in the same DS1 Interoffice Transport Combination - Zone 1		1	UNCVX	UEAL2	\$20.42														
		Each Additional 2-Wire VG Loop(SL2) in the same DS1 Interoffice Transport Combination - Zone 2		2	UNCVX	UEAL2	\$27.41														

BELLSOUTH / METROMEDIA FIBER NETWORK SERVICES RATES
Unbundled Network Elements
ALABAMA

CATEGORY	NOTES	UNBUNDLED NETWORK ELEMENT	Interim	Zone	BCS	USOC	RATES				OSS RATES										
							Rec	First	Add'l	First	Add'l	SOMEC	SOMAN	SOMAN	SOMAN	SOMAN	SOMAN				
																		Nonrecurrent		Nonrecurrent	
																		Disconnect			
						Svc Order Submitted Elec per LSR	Svc Order Submitted Manually per LSR	Incremental Charge - Manual Svc Order vs. Electronic-1st	Incremental Charge - Manual Svc Order vs. Electronic-Add'l	Incremental Charge - Manual Svc Order vs. Electronic-Disc 1st	Incremental Charge - Manual Svc Order vs. Electronic-Disc Add'l										
		Each Additional 2-Wire VG Loop(SL2) in the same DS1 Interoffice Transport Combination - Zone 3		3	UNCVX	UEAL2	\$35.89														
		Voice Grade COCI - DS1 to DS0 Channel System combination - per month			UNCVX	1D1VG	\$0.64														
		Nonrecurrent Currently Combined Network Elements Switch -As-Is Charge			UNC1X	UNCCC		\$11.18	\$11.18	\$13.96	\$13.96	\$3.5		\$31.31	\$31.31	\$3.93	\$3.93				
		4-WIRE VOICE GRADE EXTENDED LOOP WITH DEDICATED DS1 INTEROFFICE TRANSPORT (EEL)																			
		First 4-Wire Analog Voice Grade Loop/DS1 Interoffice Transport Combination - Zone 1		1	UNCVX	UEAL4	\$30.85							\$31.31	\$31.31	\$3.93	\$3.93				
		First 4-Wire Analog Voice Grade Loop/DS1 Interoffice Transport Combination - Zone 2		2	UNCVX	UEAL4	\$41.84														
		First 4-Wire Analog Voice Grade Loop/DS1 Interoffice Transport Combination - Zone 3		3	UNCVX	UEAL4	\$52.71														
		Interoffice Transport - Dedicated - DS1 combination - Per Mile Per Month			UNC1X	1L5XX	\$0.2067														
		Interoffice Transport - Dedicated - DS1 - Facility Termination Per Month			UNC1X	U1TF1	\$68.75														
		Channelization - Channel System DS1 to DS0 combination Per Month			UNC1X	MQ1	\$122.5														
		Voice Grade COCI - DS1 to DS0 Channel System combination - per month			UNCVX	1D1VG	\$0.64														
		Additional 4-Wire Analog Voice Grade Loop in same DS1 Interoffice Transport Combination - Zone 1		1	UNCVX	UEAL4	\$30.85														
		Additional 4-Wire Analog Voice Grade Loop in same DS1 Interoffice Transport Combination - Zone 2		2	UNCVX	UEAL4	\$41.84														
		Additional 4-Wire Analog Voice Grade Loop in same DS1 Interoffice Transport Combination - Zone 3		3	UNCVX	UEAL4	\$52.71														
		Voice Grade COCI - DS1 to DS0 Channel System combination - per month			UNCVX	1D1VG	\$0.64														
		Nonrecurrent Currently Combined Network Elements Switch -As-Is Charge			UNC1X	UNCCC		\$11.18	\$11.18	\$13.96	\$13.96	\$3.50		\$31.31	\$31.31	\$3.93	\$3.93				
		4-WIRE 56 KBPS EXTENDED DIGITAL LOOP WITH DEDICATED DS1 INTEROFFICE TRANSPORT (EEL)																			
		First 4-Wire 56Kbps Digital Grade Loop/DS1 Interoffice Transport Combination - Zone 1		1	UNCDX	UDL56	\$32.13														
		First 4-Wire 56Kbps Digital Grade Loop/DS1 Interoffice Transport Combination - Zone 2		2	UNCDX	UDL56	\$40.27														
		First 4-Wire 56Kbps Digital Grade Loop/DS1 Interoffice Transport Combination - Zone 3		3	UNCDX	UDL56	\$44.26														
		Interoffice Transport - Dedicated - DS1 combination - Per Mile Per Month			UNC1X	1L5XX	\$0.2067														
		Interoffice Transport - Dedicated - DS1 - combination Facility Termination Per Month			UNC1X	U1TF1	\$68.75														
		Channelization - Channel System DS1 to DS0 combination Per Month			UNC1X	MQ1	\$122.5														
		OCU-DP COCI (data) - DS1 to DS0 Channel System - per month (2.4-64kbs)			UNCDX	1D1DD	\$1.36														
		Additional 4-Wire 56Kbps Digital Grade Loop in same DS1 Interoffice Transport Combination - Zone 1		1	UNCDX	UDL56	\$32.13														
		Additional 4-Wire 56Kbps Digital Grade Loop in same DS1 Interoffice Transport Combination - Zone 2		2	UNCDX	UDL56	\$40.27														
		Additional 4-Wire 56Kbps Digital Grade Loop in same DS1 Interoffice Transport Combination - Zone 3		3	UNCDX	UDL56	\$44.26														
		OCU-DP COCI (data) - DS1 to DS0 Channel System - combination per month (2.4-64kbs)			UNCDX	1D1DD	\$1.36														
		Nonrecurrent Currently Combined Network Elements Switch -As-Is Charge			UNC1X	UNCCC		\$11.18	\$11.18	\$13.96	\$13.96	\$3.50		\$31.31	\$31.31	\$3.93	\$3.93				
		4-WIRE 64 KBPS EXTENDED DIGITAL LOOP WITH DEDICATED DS1 INTEROFFICE TRANSPORT (EEL)																			
		First 4-Wire 64Kbps Digital Grade Loop/DS1 Interoffice Transport Combination - Zone 1		1	UNCDX	UDL64	\$32.13														
		First 4-Wire 64Kbps Digital Grade Loop/DS1 Interoffice Transport Combination - Zone 2		2	UNCDX	UDL64	\$40.27														

BELLSOUTH / METROMEDIA FIBER NETWORK SERVICES RATES
Unbundled Network Elements
ALABAMA

CATEGORY	NOTES	UNBUNDLED NETWORK ELEMENT	Interim	Zone	BCS	USOC	RATES				OSS RATES										
							Rec	First	Add'l	First	Add'l	Svc Order Submitted Elec per LSR	Svc Order Submitted Manually per LSR	Incremental Charge - Manual Svc Order vs. Electronic-1st	Incremental Charge - Manual Svc Order vs. Electronic-Add'l	Incremental Charge - Manual Svc Order vs. Electronic-Disc 1st	Incremental Charge - Manual Svc Order vs. Electronic-Disc Add'l				
																		Nonrecurrent		Nonrecurrent	
																		Disconnect		Disconnect	
SOMECC	SOMAN	SOMAN	SOMAN	SOMAN	SOMAN																
		First 4-Wire 64Kbps Digital Grade Loop/DS1 Interoffice Transport Combination - Zone 3		3	UNC1X	UDL64	\$44.26														
		Interoffice Transport - Dedicated - DS1 combination - Per Mile Per Month			UNC1X	1L5XX	\$0.2067														
		Interoffice Transport - Dedicated - DS1 combination - Facility Termination Per Month			UNC1X	U1TF1	\$68.75														
		Channelization - Channel System DS1 to DS0 combination Per Month			UNC1X	MQ1	\$122.5														
		OCU-DP COCI (data) - DS1 to DS0 Channel System combination - per month (2.4-64kbs)			UNC1X	1D1DD	\$1.36														
		Additional 4-Wire 64Kbps Digital Grade Loop same DS1 Interoffice Transport Combination - Zone 1		1	UNC1X	UDL64	\$32.13														
		Additional 4-Wire 64Kbps Digital Grade Loop same DS1 Interoffice Transport Combination - Zone 2		2	UNC1X	UDL64	\$40.27														
		Additional 4-Wire 64Kbps Digital Grade Loop same DS1 Interoffice Transport Combination - Zone 3		3	UNC1X	UDL64	\$44.26														
		OCU-DP COCI (data) - DS1 to DS0 Channel System combination - per month (2.4-64kbs)			UNC1X	1D1DD	\$1.36														
		Nonrecurrent Currently Combined Network Elements Switch -As-Is Charge			UNC1X	UNCCC		\$11.18	\$11.18	\$13.96	\$13.96	\$3.50		\$31.31	\$31.31	0	\$3.93				
		4-WIRE DS1 DIGITAL EXTENDED LOOP WITH DEDICATED DS1 INTEROFFICE TRANSPORT (EEL)																			
		4-Wire DS1 Digital Loop in Combination with DS1 Interoffice Transport - Zone 1		1	UNC1X	USLXX	\$101.92														
		4-Wire DS1 Digital Loop in Combination with DS1 Interoffice Transport - Zone 2		2	UNC1X	USLXX	\$177.63														
		4-Wire DS1 Digital Loop in Combination with DS1 Interoffice Transport - Zone 3		3	UNC1X	USLXX	\$329.04														
		Interoffice Transport - Dedicated - DS1 combination - Per Mile Per Month			UNC1X	1L5XX	\$0.2067														
		Interoffice Transport - Dedicated - DS1 combination - Facility Termination Per Month			UNC1X	U1TF1	\$68.75														
		Nonrecurrent Currently Combined Network Elements Switch -As-Is Charge			UNC1X	UNCCC		\$11.18	\$11.18	\$13.96	\$13.96	\$3.50		\$31.31	\$31.31	\$3.93	\$3.93				
		4-WIRE DS1 DIGITAL EXTENDED LOOP WITH DEDICATED DS3 INTEROFFICE TRANSPORT (EEL)																			
		First DS1 Loop in DS3 Interoffice Transport Combination - Zone 1		1	UNC1X	USLXX	\$101.92														
		First DS1 Loop in DS3 Interoffice Transport Combination - Zone 2		2	UNC1X	USLXX	\$177.63														
		First DS1 Loop in DS3 Interoffice Transport Combination - Zone 3		3	UNC1X	USLXX	\$329.04														
		Interoffice Transport - Dedicated - DS3 combination - Per Mile Per Month			UNC3X	1L5XX	\$4.67														
		Interoffice Transport - Dedicated - DS3 - Facility Termination per month			UNC3X	U1TF3	\$808.02														
		DS3 to DS1 Channel System combination per month			UNC3X	MQ3	\$201.37														
		DS3 Interface Unit (DS1 COCI) combination per month			UNC1X	UC1D1	\$15.39														
		Additional DS1 Loop in DS3 Interoffice Transport Combination - Zone 1		1	UNC1X	USLXX	\$101.92														
		Additional DS1 Loop in DS3 Interoffice Transport Combination - Zone 2		2	UNC1X	USLXX	\$177.63														
		Additional DS1 Loop in DS3 Interoffice Transport Combination - Zone 3		3	UNC1X	USLXX	\$329.04														
		DS3 Interface Unit (DS1 COCI) combination per month			UNC1X	UC1D1	\$15.39														
		Nonrecurrent Currently Combined Network Elements Switch -As-Is Charge			UNC3X	UNCCC		\$11.18	\$11.18	\$13.96	\$13.96	\$3.50		\$31.31	\$0.00	\$3.93	\$3.93				
		2-WIRE VOICE GRADE EXTENDED LOOP/ 2 WIRE VOICE GRADE INTEROFFICE TRANSPORT (EEL)																			
		2-Wire VG Loop used with 2-wire VG Interoffice Transport Combination - Zone 1		1	UNCVX	UEAL2	\$20.42														
		2-Wire VG Loop used with 2-wire VG Interoffice Transport Combination - Zone 2		2	UNCVX	UEAL2	\$27.41														
		2-Wire VG Loop used with 2-wire VG Interoffice Transport Combination - Zone 3		3	UNCVX	UEAL2	\$35.89														
		Interoffice Transport - Dedicated - 2-wire VG combination - Per Mile Per Month			UNCVX	1L5XX	\$0.0101														

BELLSOUTH / METROMEDIA FIBER NETWORK SERVICES RATES
Unbundled Network Elements
ALABAMA

CATEGORY	NOTES	UNBUNDLED NETWORK ELEMENT	Interim	Zone	BCS	USOC	RATES					OSS RATES									
							Rec	First	Add'l	First	Add'l	Svc Order Submitted Elec per LSR	Svc Order Submitted Manually per LSR	Incremental Charge - Manual Svc Order vs. Electronic-1st	Incremental Charge - Manual Svc Order vs. Electronic-Add'l	Incremental Charge - Manual Svc Order vs. Electronic-Disc 1st	Incremental Charge - Manual Svc Order vs. Electronic-Disc Add'l				
																		Nonrecurring		Nonrecurring	
																		Disconnect	First	Disconnect	First
SOMECC	SOMAN	SOMAN	SOMAN	SOMAN	SOMAN																
		Interoffice Transport - Dedicated - 2- Wire Voice Grade combination - Facility Termination per month			UNCVX	U1TV2	\$24.15														
		Nonrecurring Currently Combined Network Elements Switch -As-Is Charge			UNCVX	UNCCC		\$11.18	\$11.18	\$13.96	\$13.96	\$3.50		\$31.31	\$31.31	\$3.93	\$3.93				
		4-WIRE VOICE GRADE EXTENDED LOOP/ 4 WIRE VOICE GRADE INTEROFFICE TRANSPORT (EEL)																			
		4-WireVG Loop used with 4-wire VG Interoffice Transport Combination - Zone 1		1	UNCVX	UEAL4	\$30.85														
		4-WireVG Loop used with 4-wire VG Interoffice Transport Combination - Zone 2		2	UNCVX	UEAL4	\$41.84														
		4-WireVG Loop used with 4-wire VG Interoffice Transport Combination - Zone 3		3	UNCVX	UEAL4	\$52.71														
		Interoffice Transport - Dedicated - 4-wire VG combination - Per Mile Per Month			UNCVX	1L5XX	\$0.0101														
		Interoffice Transport - Dedicated - 4- Wire Voice Grade combination - Facility Termination per month			UNCVX	U1TV4	\$21.41														
		Nonrecurring Currently Combined Network Elements Switch -As-Is Charge			UNCVX	UNCCC		\$11.18	\$11.18	\$13.96	\$13.96	\$3.50		\$31.31	\$31.31	\$3.93	\$3.93				
		DS3 DIGITAL EXTENDED LOOP WITH DEDICATED DS3 INTEROFFICE TRANSPORT (EEL)																			
		High Capacity Unbundled Local Loop - DS3 combination - Per Mile per month			UNC3X	1L5ND	\$10.16														
		High Capacity Unbundled Local Loop - DS3 combination - Facility Termination per month			UNC3X	UE3PX	\$374.52														
		Interoffice Transport - Dedicated - DS3 - Per Mile per month			UNC3X	1L5XX	\$4.67														
		Interoffice Transport - Dedicated - DS3 combination - Facility Termination per month			UNC3X	U1TF3	\$804.02														
		Nonrecurring Currently Combined Network Elements Switch -As-Is Charge			UNC3X	UNCCC		\$11.18	\$11.18	\$13.96	\$13.96	\$3.50		\$31.31	\$31.31	\$3.93	\$3.93				
		STS1 DIGITAL EXTENDED LOOP WITH DEDICATED STS1 INTEROFFICE TRANSPORT (EEL)																			
		High Capacity Unbundled Local Loop - STS1 combination - Per Mile per month			UNCSX	1L5ND	\$10.16														
		High Capacity Unbundled Local Loop - STS1 combination - Facility Termination per month			UNCSX	UDLS1	\$387.67														
		Interoffice Transport - Dedicated - STS1 combination - Per Mile per month			UNCSX	1L5XX	\$4.67														
		Interoffice Transport - Dedicated - STS1 combination - Facility Termination per month			UNCSX	U1TFS	\$801.57														
		Nonrecurring Currently Combined Network Elements Switch -As-Is Charge			UNCSX	UNCCC		\$11.18	\$11.18	\$13.96	\$13.96	\$3.50		\$31.31	\$31.31	\$3.93	\$3.93				
		2-WIRE ISDN EXTENDED LOOP WITH DS1 INTEROFFICE TRANSPORT (EEL)																			
		First 2-Wire ISDN Loop/DS1 Interoffice Combination Transport - Zone 1		1	UNCNX	U1L2X	\$30.94														
		First 2-Wire ISDN Loop/DS1 Interoffice Combination Transport - Zone 2		2	UNCNX	U1L2X	\$38.78														
		First 2-Wire ISDN Loop/DS1 Interoffice Combination Transport - Zone 3		3	UNCNX	U1L2X	\$48.97														
		Interoffice Transport - Dedicated - DS1 combination - Per Mile			UNC1X	1L5XX	\$0.2067														
		Interoffice Transport - Dedicated - DS1 combination - Facility Termination per month			UNC1X	U1TF1	\$68.75														
		Channelization - Channel System DS1 to DS0 combination - per month			UNC1X	MQ1	\$122.5														
		2-wire ISDN COCI (BRITE) - DS1 to DS0 Channel System combination - per month			UNCNX	UC1CA	\$2.92														
		Additional 2-wire ISDN Loop in same DS1Interoffice Transport Combination - Zone 1		1	UNCNX	U1L2X	\$30.94														
		Additional 2-wire ISDN Loop in same DS1Interoffice Transport Combination - Zone 2		2	UNCNX	U1L2X	\$38.78														
		Additional 2-wire ISDN Loop in same DS1Interoffice Transport Combination - Zone 3		3	UNCNX	U1L2X	\$48.97														
		2-wire ISDN COCI (BRITE) - DS1 to DS0 Channel System combination - per month			UNCNX	UC1CA	\$2.92														

BELLSOUTH / METROMEDIA FIBER NETWORK SERVICES RATES
Unbundled Network Elements
ALABAMA

CATEGORY	NOTES	UNBUNDLED NETWORK ELEMENT	Interim	Zone	BCS	USOC	RATES					OSS RATES					
							Rec	Nonrecurring		Nonrecurring		Svc Order Submitted Elec per LSR	Svc Order Submitted Manually per LSR	Incremental Charge - Manual Svc Order vs. Electronic-1st	Incremental Charge - Manual Svc Order vs. Electronic-Add'l	Incremental Charge - Manual Svc Order vs. Electronic-Disc 1st	Incremental Charge - Manual Svc Order vs. Electronic-Disc Add'l
								First	Add'l	First	Add'l						
								Disconnect		Disconnect							
SOMECC	SOMAN	SOMAN	SOMAN	SOMAN	SOMAN												
		Nonrecurring Currently Combined Network Elements Switch -As-Is Charge			UNC1X	UNCCC		\$11.18	\$11.18	\$13.96	\$13.96			\$3.50	\$31.31	\$3.93	\$3.93
		4-WIRE DS1 DIGITAL EXTENDED LOOP WITH DEDICATED STS-1 INTEROFFICE TRANSPORT (EEL)															
		First DS1 Loop in STS1 Interoffice Transport Combination - Zone 1		1	UNC1X	USLXX	\$101.92										
		First DS1 Loop in STS1 Interoffice Transport Combination - Zone 2		2	UNC1X	USLXX	\$177.83										
		First DS1 Loop in STS1 Interoffice Transport Combination - Zone 3		3	UNC1X	USLXX	\$329.04										
		Interoffice Transport - Dedicated - STS1 combination - Per Mile Per Month			UNCSX	1L5XX	\$4.67										
		Interoffice Transport - Dedicated - STS1 combination - Facility Termination			UNCSX	U1TFS	\$801.57										
		STS1 to DS1 Channel System combination per month			UNCSX	MQ3	\$201.37										
		DS3 Interface Unit (DS1 COCI) combination per month			UNC1X	UC1D1	\$15.39										
		Additional DS1Loop in STS1 Interoffice Transport Combination - Zone 1		1	UNC1X	USLXX	\$101.92										
		Additional DS1Loop in STS1 Interoffice Transport Combination - Zone 2		2	UNC1X	USLXX	\$177.83										
		Additional DS1Loop in STS1 Interoffice Transport Combination - Zone 3		3	UNC1X	USLXX	\$329.04										
		DS3 Interface Unit (DS1 COCI) combination per month			UNC1X	UC1D1	\$15.39										
		Nonrecurring Currently Combined Network Elements Switch -As-Is Charge			UNCSX	UNCCC		\$11.18	\$11.18	\$13.96	\$13.96	\$3.50		\$31.31	\$31.31	\$3.93	\$3.93
		4-WIRE 56 KBPS DIGITAL EXTENDED LOOP WITH 56 KBPS INTEROFFICE TRANSPORT (EEL)															
		4-wire 56 kbps Loop/4-wire 56 kbps Interoffice Transport Combination - Zone 1		1	UNCDX	UDL56	\$32.13										
		4-wire 56 kbps Loop/4-wire 56 kbps Interoffice Transport Combination - Zone 2		2	UNCDX	UDL56	\$40.37										
		4-wire 56 kbps Loop/4-wire 56 kbps Interoffice Transport Combination - Zone 3		3	UNCDX	UDL56	\$44.26										
		Interoffice Transport - Dedicated - 4-wire 56 kbps combination - Per Mile			UNCDX	1L5XX	\$0.0101										
		Interoffice Transport - Dedicated - 4-wire 56 kbps combination - Facility Termination			UNCDX	U1TD5	\$17.28										
		Nonrecurring Currently Combined Network Elements Switch -As-Is Charge			UNCDX	UNCCC		\$11.18	\$11.18	\$13.96	\$13.96	\$3.50		\$31.31	\$31.31	\$3.93	\$3.93
		4-WIRE 64 KBPS DIGITAL EXTENDED LOOP WITH 64 KBPS INTEROFFICE TRANSPORT (EEL)															
		4-wire 64 kbps Loop/4-wire 64 kbps Interoffice Transport Combination - Zone 1		1	UNCDX	UDL64	\$32.16										
		4-wire 64 kbps Loop/4-wire 64 kbps Interoffice Transport Combination - Zone 2		2	UNCDX	UDL64	\$40.27										
		4-wire 64 kbps Loop/4-wire 64 kbps Interoffice Transport Combination - Zone 3		3	UNCDX	UDL64	\$44.26										
		Interoffice Transport - Dedicated - 4-wire 64 kbps combination - Per Mile			UNCDX	1L5XX	\$0.0101										
		Interoffice Transport - Dedicated - 4-wire 64 kbps combination - Facility Termination			UNCDX	U1TD6	\$17.28										
		Nonrecurring Currently Combined Network Elements Switch -As-Is Charge			UNCDX	UNCCC		\$11.18	\$11.18	\$13.96	\$13.96	\$3.50		\$31.31	\$31.31	\$3.93	\$3.93
		ADDITIONAL NETWORK ELEMENTS															
		When used as a part of a currently combined facility, the non-recurring charges do not apply, but a Switch As Is charge does apply.															
		When used as ordinarily combined network elements in Georgia, the non-recurring charges apply and the Switch As Is Charge does not.															
		Node (SynchroNet)															
		Node per month			UNCDX	UNCNT	\$15.77										
		Nonrecurring Currently Combined Network Elements "Switch As Is" Charge (One applies to each combination)															

BELLSOUTH / METROMEDIA FIBER NETWORK SERVICES RATES
Unbundled Network Elements
ALABAMA

CATEGORY	NOTES	UNBUNDLED NETWORK ELEMENT	Interim	Zone	BCS	USOC	RATES					OSS RATES						
							Rec	Nonrecurring		First	Add'l	Svc Order Submitted Elec per LSR	Svc Order Submitted Manually per LSR	Incremental Charge - Manual Svc Order vs. Electronic-1st	Incremental Charge - Manual Svc Order vs. Electronic-Add'l	Incremental Charge - Manual Svc Order vs. Electronic-Disc 1st	Incremental Charge - Manual Svc Order vs. Electronic-Disc Add'l	
								First	Add'l									Disconnect
SOME	SOMAN	SOMAN	SOMAN	SOMAN	SOMAN													
		2/4-Wire VG Interoffice Channel used in a COMBINATION - "Switch As Is" Conversion Charge			UNCVX	UNCCC		\$11.18	\$11.18	\$13.96	\$13.96	\$3.50		\$31.31	\$31.31	\$3.93	\$3.93	
		56/64 kbps Interoffice Channel used in a COMBINATION - "Switch As Is" Conversion Charge			UNCDX	UNCCC		\$11.18	\$11.18	\$13.96	\$13.96	\$3.50		\$31.31	\$31.31	\$3.93	\$3.93	
		DS1 Interoffice Channel used in a COMBINATION - "Switch As Is" Conversion Charge			UNC1X	UNCCC		\$11.18	\$11.18	\$13.96	\$13.96	\$3.50		\$31.31	\$31.31	\$3.93	\$3.93	
		DS3 Interoffice Channel used in a COMBINATION - "Switch As Is" Conversion Charge			UNC3X	UNCCC		\$11.18	\$11.18	\$13.96	\$13.96	\$3.50		\$31.31	\$31.31	\$3.93	\$3.93	
		STS1 Interoffice or Local Loop used in a COMBINATION - "Switch As Is" Conversion Charge			UNCSX	UNCCC		\$11.18	\$11.18	\$13.96	\$13.96	\$3.50		\$31.31	\$31.31	\$3.93	\$3.93	
NOTE: Local Channel - Dedicated Transport - minimum billing period - Below DS3=one month, DS3 and above=four months																		
		Local Channel - Dedicated - 2-Wire Voice Grade per month			UNCXV	ULDV2		\$15.96										
		Local Channel - Dedicated - 4-Wire Voice Grade per month			UNCXV	ULDV4		\$17.06										
		Local Channel - Dedicated - DS1 per month Zone 1		1	UNC1X	ULDF1		\$41.52										
		Local Channel - Dedicated -DS1 Per Month Zone 2		2	UNC1X	ULDF1		\$61.05										
		Local Channel - Dedicated - DS1- Per Month Zone 3		3	UNC1X	ULDF1		\$47.29										
		Local Channel - Dedicated - DS3 - Per Mile per month			UNC3X	1L5NC		\$7.91										
		Local Channel - Dedicated - DS3 - Facility Termination per month			UNC3X	ULDF3		\$476.04										
		Local Channel - Dedicated - STS-1- Per Mile per month			UNCSX	1L5NC		\$7.91										
		Local Channel - Dedicated - STS-1 - Facility Termination per month			UNCSX	ULDFS		\$466.84										

BELLSOUTH / METROMEDIA FIBER NETWORK SERVICES RATES
Unbundled Network Elements
FLORIDA

CATEGORY	NOTES	UNBUNDLED NETWORK ELEMENT	Interim	Zone	BCS	USOC	RATES				OSS RATES											
							Rec	First	Add'l	First	Add'l	SOMEK	SOMAN	SOMAN	SOMAN	SOMAN	SOMAN	SOMAN				
																			Nonrecurring		Nonrecurring	
																			Disconnect		Disconnect	
Svc Order Submitted Elec per LSR	Svc Order Submitted Manually per LSR	Incremental Charge - Manual Svc Order vs. Electronic-1st	Incremental Charge - Manual Svc Order vs. Electronic-Add'l	Incremental Charge - Manual Svc Order vs. Electronic-Disc 1st	Incremental Charge - Manual Svc Order vs. Electronic-Disc Add'l																	
Geographically Deaveraged UNE Zones and applicable rates have been established for certain services, as shown in this Agreement. Where Geographically Deaveraged UNE Zones and applicable rates are established, Statewide rates are obsolete. Further, BellSouth is in the process of enhancing its billing systems in order to accommodate this Geographically Deaveraged UNE Zone Rate Structure. Until these enhancements are accomplished, estimated to be mid 2001, the UNE Zone 1 rate will be billed for all services residing in Zones 1, 2, 3 or 4, i.e., Rates for services residing in UNE Zones 2, 3 and UNE Zone 4, where applicable, will not be billed. Once billing enhancements are complete, all applicable UNE Zone rates reflected in this Agreement will be billed. Reference Internet Website http://www.interconnection.bellsouth.com/become_clec/docs/interconnection/deavuzns.pdf to view Geographically Deaveraged UNE Zone Designations by Central Office.																						
UNBUNDLED EXCHANGE ACCESS LOOP																						
2-WIRE ANALOG VOICE GRADE LOOP																						
		2-Wire Analog Voice Grade Loop - Service Level 1- Zone 1		1	UEANL	UEAL2	\$13.75	\$83.20	\$35.12	\$55.97	\$10.35	\$3.50	\$19.99									
		2-Wire Analog Voice Grade Loop - Service Level 1- Zone 2		2	UEANL	UEAL2	\$20.13	\$83.20	\$35.12	\$55.97	\$10.35	\$3.50	\$19.99									
		2-Wire Analog Voice Grade Loop - Service Level 1- Zone 3		3	UEANL	UEAL2	\$44.40	\$83.20	\$35.12	\$55.97	\$10.35	\$3.50	\$19.99									
		Engineering Information Document (EI)			UEANL		\$28.77	\$28.77														
		Manual Order Coordination for UVL-SL1s (per loop)*			UEANL	UEAMC	\$16.31	\$16.31														
		Order Coordination for Specified Conversion Time for UVL-SL1 (per LSR) *			UEANL	OCOSL	\$23.24	\$23.24														
		2-Wire Analog Voice Grade Loop - Service Level 2 w/Loop or Ground Start Signaling - Zone 1		1	UEA	UEAL2	\$18.48	\$218.96	\$136.44	\$113.41	\$20.58	\$3.50	\$19.99									
		2-Wire Analog Voice Grade Loop - Service Level 2 w/Loop or Ground Start Signaling - Zone 2		2	UEA	UEAL2	\$22.43	\$218.96	\$136.44	\$113.41	\$20.58	\$3.50	\$19.99									
		2-Wire Analog Voice Grade Loop - Service Level 2 w/Loop or Ground Start Signaling - Zone 3		3	UEA	UEAL2	\$27.87	\$218.96	\$136.44	\$113.41	\$20.58	\$3.50	\$19.99									
		Order Coordination for Specified Conversion Time (per LSR)			UEA	OCOSL	\$23.24	\$23.24														
		2-Wire Analog Voice Grade Loop - Service Level 2 w/Reverse Battery Signaling - Zone 1		1	UEA	UEAR2	\$18.48	\$218.96	\$136.44	\$113.41	\$20.58	\$3.50	\$19.99									
		2-Wire Analog Voice Grade Loop - Service Level 2 w/Reverse Battery Signaling - Zone 2		2	UEA	UEAR2	\$22.43	\$218.96	\$136.44	\$113.41	\$20.58	\$3.50	\$19.99									
		2-Wire Analog Voice Grade Loop - Service Level 2 w/Reverse Battery Signaling - Zone 3		3	UEA	UEAR2	\$27.87	\$218.96	\$136.44	\$113.41	\$20.58	\$3.50	\$19.99									
		Order Coordination for Specified Conversion Time (per LSR)			UEA	OCOSL	\$23.24	\$23.24														
4-WIRE ANALOG VOICE GRADE LOOP																						
		4-Wire Analog Voice Grade Loop - Zone 1		1	UEA	UEAL4	\$24.26	\$141.00	\$43.00	\$122.15	\$27.42	\$3.50	\$19.99									
		4-Wire Analog Voice Grade Loop - Zone 2		2	UEA	UEAL4	\$35.51	\$141.00	\$43.00	\$122.15	\$27.42	\$3.50	\$19.99									
		4-Wire Analog Voice Grade Loop - Zone 3		3	UEA	UEAL4	\$78.35	\$141.00	\$43.00	\$122.15	\$27.42	\$3.50	\$19.99									
		Order Coordination for Specified Conversion Time (per LSR)			UEA	OCOSL	\$23.24	\$23.24														
2-WIRE ISDN DIGITAL GRADE LOOP																						
		2-Wire ISDN Digital Grade Loop - Zone 1		1	UDN	U1L2X	\$32.34	\$306.00	\$283.00			\$3.50	\$19.99									
		2-Wire ISDN Digital Grade Loop - Zone 2		2	UDN	U1L2X	\$47.35	\$306.00	\$283.00			\$3.50	\$19.99									
		2-Wire ISDN Digital Grade Loop - Zone 3		3	UDN	U1L2X	\$104.47	\$306.00	\$283.00			\$3.50	\$19.99									
		Order Coordination For Specified Conversion Time (per LSR)			UDN	OCOSL	\$23.24	\$23.24														
2-WIRE Universal Digital Channel (UDC) COMPATIBLE LOOP																						
		2-Wire Universal Digital Channel (UDC) Compatible Loop - Zone 1		1	UDC	UDC2X	\$28.33	\$238.33	\$155.81	\$111.10	\$18.28	\$3.50	\$19.99									
		2-Wire Universal Digital Channel (UDC) Compatible Loop - Zone 2		2	UDC	UDC2X	\$34.45	\$238.33	\$155.81	\$111.10	\$18.28	\$3.50	\$19.99									
		2-Wire Universal Digital Channel (UDC) Compatible Loop - Zone 3		3	UDC	UDC2X	\$35.62	\$238.33	\$155.81	\$111.10	\$18.28	\$3.50	\$19.99									
2-WIRE ASYMMETRICAL DIGITAL SUBSCRIBER LINE (ADSL) COMPATIBLE LOOP																						
		2-Wire Unbundled ADSL Loop including manual service inquiry & facility reservation - Zone 1		1	UAL	UAL2X	\$12.78	\$113.85	\$99.61	\$154.23	\$35.23	\$3.50	\$19.99									
		2 Wire Unbundled ADSL Loop including manual service inquiry & facility reservation - Zone 2		2	UAL	UAL2X	\$18.72	\$113.85	\$99.61	\$154.23	\$35.23	\$3.50	\$19.99									
		2 Wire Unbundled ADSL Loop including manual service inquiry & facility reservation - Zone 3		3	UAL	UAL2X	\$41.29	\$113.85	\$99.61	\$154.23	\$35.23	\$3.50	\$19.99									
		Order Coordination for Specified Conversion Time (per LSR)			UAL	OCOSL	\$23.24	\$23.24														

BELLSOUTH / METROMEDIA FIBER NETWORK SERVICES RATES
Unbundled Network Elements
FLORIDA

CATEGORY	NOTES	UNBUNDLED NETWORK ELEMENT	Interim	Zone	BCS	USOC	RATES					OSS RATES															
							Rec	First	Add'l	First	Add'l	SOMEK	SOMAN	SOMAN	SOMAN	SOMAN	SOMAN										
																		Nonrecurring		Nonrecurring		Svc Order Submitted Elec per LSR	Svc Order Submitted Manually per LSR	Incremental Charge - Manual Svc Order vs. Electronic-1st	Incremental Charge - Manual Svc Order vs. Electronic-Add'l	Incremental Charge - Manual Svc Order vs. Electronic-Disc 1st	Incremental Charge - Manual Svc Order vs. Electronic-Disc Add'l
																		Disconnect									
		2 Wire Unbundled ADSL Loop without manual service inquiry & facility reservation - Zone 1		1	UAL	UAL2W	\$12.78	\$258.86	\$175.48	\$108.29	\$15.46	\$3.50	\$19.99														
		2 Wire Unbundled ADSL Loop without manual service inquiry & facility reservation - Zone 2		2	UAL	UAL2W	\$18.72	\$258.86	\$175.48	\$108.29	\$15.46	\$3.50	\$19.99														
		2 Wire Unbundled ADSL Loop without manual service inquiry & facility reservation - Zone 3		3	UAL	UAL2W	\$41.29	\$258.86	\$175.48	\$108.29	\$15.46	\$3.50	\$19.99														
		Order Coordination for Specified Conversion Time (per LSR)				OCOSL		\$23.24																			
		2-WIRE HIGH BIT RATE DIGITAL SUBSCRIBER LINE (HDSL) COMPATIBLE LOOP																									
		2-WIRE HIGH BIT RATE DIGITAL SUBSCRIBER LINE (HDSL) COMPATIBLE LOOP																									
		2 Wire Unbundled HDSL Loop including manual service inquiry & facility reservation - Zone 1		1	UHL	UHL2X	\$9.80	\$113.85	\$99.61	\$154.23	\$35.23	\$3.50	\$19.99														
		2 Wire Unbundled HDSL Loop including manual service inquiry & facility reservation - Zone 2		2	UHL	UHL2X	\$14.35	\$113.85	\$99.61	\$154.23	\$35.23	\$3.50	\$19.99														
		2 Wire Unbundled HDSL Loop including manual service inquiry & facility reservation - Zone 3		3	UHL	UHL2X	\$31.65	\$113.85	\$99.61	\$154.23	\$35.23	\$3.50	\$19.99														
		Order Coordination for Specified Conversion Time				OCOSL		\$23.24																			
		2 Wire Unbundled HDSL Loop without manual service inquiry and facility reservation - Zone 1		1	UHL	UHL2W	\$9.80	\$276.19	\$192.81	\$108.29	\$15.46	\$3.50	\$19.99														
		2 Wire Unbundled HDSL Loop without manual service inquiry and facility reservation - Zone 2		2	UHL	UHL2W	\$14.35	\$276.19	\$192.81	\$108.29	\$15.46	\$3.50	\$19.99														
		2 Wire Unbundled HDSL Loop without manual service inquiry and facility reservation - Zone 3		3	UHL	UHL2W	\$31.65	\$276.19	\$192.81	\$108.29	\$15.46	\$3.50	\$19.99														
		Order Coordination for Specified Conversion Time				OCOSL		\$23.24																			
		4-WIRE HIGH BIT RATE DIGITAL SUBSCRIBER LINE (HDSL) COMPATIBLE LOOP																									
		4 Wire Unbundled HDSL Loop including manual service inquiry and facility reservation - Zone 1		1	UHL	UHL4X	\$14.75	\$116.91	\$101.71	\$161.19	\$26.10	\$3.50	\$19.99														
		4-Wire Unbundled HDSL Loop including manual service inquiry and facility reservation - Zone 2		2	UHL	UHL4X	\$21.59	\$116.91	\$101.71	\$161.19	\$26.10	\$3.50	\$19.99														
		4-Wire Unbundled HDSL Loop including manual service inquiry and facility reservation - Zone 3		3	UHL	UHL4X	\$47.64	\$116.91	\$101.71	\$161.19	\$26.10	\$3.50	\$19.99														
		Order Coordination for Specified Conversion Time				OCOSL		23.24																			
		4-Wire Unbundled HDSL Loop without manual service inquiry and facility reservation - Zone 1		1	UHL	UHL4W	\$14.75	\$333.40	\$250.01	\$114.30	\$19.58	\$3.50	\$19.99														
		4-Wire Unbundled HDSL Loop without manual service inquiry and facility reservation - Zone 2		2	UHL	UHL4W	\$21.59	\$333.40	\$250.01	\$114.30	\$19.58	\$3.50	\$19.99														
		4-Wire Unbundled HDSL Loop without manual service inquiry and facility reservation - Zone 3		3	UHL	UHL4W	\$47.64	\$333.40	\$250.01	\$114.30	\$19.58	\$3.50	\$19.99														
		Order Coordination for Specified Conversion Time				OCOSL		\$23.24																			
		4-WIRE DS1 DIGITAL LOOP																									
		4-Wire DS1 Digital Loop - Zone 1		1	USL	USLXX	\$64.69	\$540.00	\$465.00			\$3.50	\$19.99														
		4-Wire DS1 Digital Loop - Zone 2		2	USL	USLXX	\$94.71	\$540.00	\$465.00			\$3.50	\$19.99														
		4-Wire DS1 Digital Loop - Zone 3		3	USL	USLXX	\$208.93	\$540.00	\$465.00			\$3.50	\$19.99														
		Order Coordination for Specified Conversion Time				OCOSL		\$36.18																			
		4-WIRE 19.2, 56 OR 64 KBPS DIGITAL GRADE LOOP																									
		4 Wire Unbundled Digital 19.2 Kbps		1	UDL	UDL19	\$39.08	\$260.18	\$177.66	\$122.15	\$27.42	\$3.50	\$19.99														
		4 Wire Unbundled Digital 19.2 Kbps		2	UDL	UDL19	\$57.21	\$260.18	\$177.66	\$122.15	\$27.42	\$3.5	\$19.99														
		4 Wire Unbundled Digital 19.2 Kbps		3	UDL	UDL19	\$126.22	\$260.18	\$177.66	\$122.15	\$27.42	\$3.5	\$19.99														
		4 Wire Unbundled Digital Loop 56 Kbps - Zone 1		1	UDL	UDL56	\$39.08	\$260.18	\$177.66	\$122.15	\$27.42	\$3.50	\$19.99														
		4 Wire Unbundled Digital Loop 56 Kbps - Zone 2		2	UDL	UDL56	\$57.21	\$260.18	\$177.66	\$122.15	\$27.42	\$3.50	\$19.99														
		4 Wire Unbundled Digital Loop 56 Kbps - Zone 3		3	UDL	UDL56	\$126.22	\$260.18	\$177.66	\$122.15	\$27.42	\$3.50	\$19.99														
		Order Coordination for Specified Conversion Time				OCOSL		\$23.24																			
		4 Wire Unbundled Digital Loop 64 Kbps - Zone 1		1	UDL	UDL64	\$39.08	\$260.18	\$177.66	\$122.15	\$27.42	\$3.50	\$19.99														
		4 Wire Unbundled Digital Loop 64 Kbps - Zone 2		2	UDL	UDL64	\$57.21	\$260.18	\$177.66	\$122.15	\$27.42	\$3.5	\$19.99														
		4 Wire Unbundled Digital Loop 64 Kbps - Zone 3		3	UDL	UDL64	\$126.22	\$260.18	\$177.66	\$122.15	\$27.42	\$3.5	\$19.99														
		Order Coordination for Specified Conversion Time				OCOSL		\$23.24																			
		2-WIRE Unbundled COPPER LOOP																									

BELLSOUTH / METROMEDIA FIBER NETWORK SERVICES RATES
Unbundled Network Elements
FLORIDA

CATEGORY	NOTES	UNBUNDLED NETWORK ELEMENT	Interim	Zone	BCS	USOC	RATES					OSS RATES																
							Rec	First	Add'l	First	Add'l	SOMEK	SOMAN	SOMAN	SOMAN	SOMAN	SOMAN	SOMAN										
																			Nonrecurring		Nonrecurring		Svc Order Submitted Elec per LSR	Svc Order Submitted Manually per LSR	Incremental Charge - Manual Svc Order vs. Electronic-1st	Incremental Charge - Manual Svc Order vs. Electronic-Add'l	Incremental Charge - Manual Svc Order vs. Electronic-Disc 1st	Incremental Charge - Manual Svc Order vs. Electronic-Disc Add'l
																				Disconnect								
		2-Wire Unbundled Copper Loop/Short including manual service inquiry & facility reservation - Zone 1		1	UCL	UCLPB	\$18.60	\$ 389.84	\$ 251.26	154.23	35.23	\$3.50	\$19.99															
		2-Wire Unbundled Copper Loop/Short including manual service inquiry & facility reservation - Zone 2		2	UCL	UCLPB	\$27.23	\$ 389.84	\$ 251.26	154.23	35.23	\$3.50	\$19.99															
		2 Wire Unbundled Copper Loop/Short including manual service inquiry & facility reservation - Zone 3		3	UCL	UCLPB	\$60.07	\$ 389.84	\$ 251.26	154.23	35.23	\$3.50	\$19.99															
		Order Coordination for Unbundled Copper Loops (per loop)			UCL	UCLMC		\$16.31	\$16.31																			
		2-Wire Unbundled Copper Loop/Short without manual service inquiry and facility reservation - Zone 1		1	UCL	UCLPW	\$18.60	\$257.00	\$173.62	\$108.29	\$15.46	\$3.50	\$19.99															
		2-Wire Unbundled Copper Loop/Short without manual service inquiry and facility reservation - Zone 2		2	UCL	UCLPW	\$27.23	\$257.00	\$173.62	\$108.29	\$15.46	\$3.50	\$19.99															
		2-Wire Unbundled Copper Loop/Short without manual service inquiry and facility reservation - Zone 3		3	UCL	UCLPW	\$60.07	\$257.00	\$173.62	\$108.29	\$15.46	\$3.50	\$19.99															
		Order Coordination for Unbundled Copper Loops (per loop)			UCL	UCLMC		\$16.31	\$16.31																			
		2-Wire Unbundled Copper Loop/Long - includes manual svc. inquiry and facility reservation - Zone 1		1	UCL	UCL2L	\$48.79	\$ 331.86	\$ 193.27	154.23	35.23	\$3.50	\$19.99															
		2-Wire Unbundled Copper Loop/Long - includes manual svc. inquiry and facility reservation - Zone 2		2	UCL	UCL2L	\$58.13	\$ 331.86	\$ 193.27	154.23	35.23	\$3.50	\$19.99															
		2-Wire Unbundled Copper Loop/Long - includes manual svc. inquiry and facility reservation - Zone 3		3	UCL	UCL2L	\$71.17	\$ 331.86	\$ 193.27	154.23	35.23	\$3.50	\$19.99															
		Order Coordination for Unbundled Copper Loops (per loop)			UCL	UCLMC		\$16.31	\$16.31																			
		2-Wire Unbundled Copper Loop/Long - without manual service inquiry and facility reservation - Zone 1		1	UCL	UCL2W	\$48.79	\$ 199.01	\$ 115.63	108.29	15.46	\$3.50	\$19.99															
		2-Wire Unbundled Copper Loop/Long - without manual service inquiry and facility reservation - Zone 2		2	UCL	UCL2W	\$58.13	\$ 199.01	\$ 115.63	108.29	15.46	\$3.50	\$19.99															
		2-Wire Unbundled Copper Loop/Long - without manual service inquiry and facility reservation - Zone 3		3	UCL	UCL2W	\$71.17	\$ 199.01	\$ 115.63	108.29	15.46	\$3.50	\$19.99															
		Order Coordination for Unbundled Copper Loops (per loop)			UCL	UCLMC		\$16.31	\$16.31																			
		2-Wire Unbundled Copper Loop - Non-Designed Zone 1		1	UEQ	UEQ2X	\$11.01	\$44.69	\$22.40	\$25.65	\$7.06	\$3.5	\$19.99															
		2 Wire Unbundled Copper Loop - Non-Designed - Zone 2		2	UEQ	UEQ2X	\$12.67	\$44.69	\$22.40	\$25.65	\$7.06	\$3.5	\$19.99															
		2 Wire Unbundled Copper Loop - Non-Designed - Zone 3		3	UEQ	UEQ2X	\$20.22	\$44.69	\$22.40	\$25.65	\$7.06	\$3.5	\$19.99															
		Order Coordination 2 Wire Unbundled Copper Loop - Non-Designed (per loop)			UEQ	USBMC		\$16.31	\$16.31																			
		Engineering Information Document			UEQ			\$28.77	\$28.77																			
		Loop Testing - Basic 1st Half Hour			UEQ	URET1		\$78.92	\$78.92																			
		Loop Testing - Basic Additional Half Hour			UEQ	URETA		\$23.33	\$23.33																			
		4-WIRE COPPER LOOP																										
		4-Wire Copper Loop/Short - including manual service inquiry and facility reservation - Zone 1		1	UCL	UCL4S	\$25.56	\$ 438.27	\$ 299.68	161.19	39.76	\$3.50	\$19.99															
		4-Wire Copper Loop/Short - including manual service inquiry and facility reservation - Zone 2		2	UCL	UCL4S	\$30.53	\$ 438.27	\$ 299.68	161.19	39.76	\$3.50	\$19.99															
		4-Wire Copper Loop/Short - including manual service inquiry and facility reservation - Zone 3		3	UCL	UCL4S	\$32.24	\$ 438.27	\$ 299.68	161.19	39.76	\$3.50	\$19.99															
		Order Coordination for Unbundled Copper Loops (per loop)			UCL	UCLMC		\$16.31	\$16.31																			
		4-Wire Copper Loop/Short - without manual service inquiry and facility reservation - Zone 1		1	UCL	UCL4W	\$25.56	\$305.43	\$222.05	\$114.30	\$19.58	\$3.50	\$19.99															
		4-Wire Copper Loop/Short - without manual service inquiry and facility reservation - Zone 2		2	UCL	UCL4W	\$30.53	\$305.43	\$222.05	\$114.30	\$19.58	\$3.50	\$19.99															
		4-Wire Copper Loop/Short - without manual service inquiry and facility reservation - Zone 3		3	UCL	UCL4W	\$32.24	\$305.43	\$222.05	\$114.30	\$19.58	\$3.50	\$19.99															
		Order Coordination for Unbundled Copper Loops (per loop)			UCL	UCLMC		\$16.31	\$16.31																			
		4-Wire Unbundled Copper Loop/Long - includes manual svc. inquiry and facility reservation - Zone 1		1	UCL	UCL4L	\$82.70	\$380.29	\$241.70	\$161.19	\$39.76	\$3.50	\$19.99															
		4-Wire Unbundled Copper Loop/Long - includes manual svc. inquiry and facility reservation - Zone 2		2	UCL	UCL4L	\$119.02	\$380.29	\$241.70	\$161.19	\$39.76	\$3.50	\$19.99															
		4-Wire Unbundled Copper Loop/Long - includes manual svc. inquiry and facility reservation - Zone 3		3	UCL	UCL4L	\$147.54	\$380.29	\$241.70	\$161.19	\$39.76	\$3.50	\$19.99															
		Order Coordination for Unbundled Copper Loops (per loop)			UCL	UCLMC		\$16.31	\$16.31																			
		4-Wire Unbundled Copper Loop/Long - without manual svc. inquiry and facility reservation - Zone 1		1	UCL	UCL4O	\$82.70	\$247.44	\$164.06	\$114.30	\$19.58	\$3.50	\$19.99															

BELLSOUTH / METROMEDIA FIBER NETWORK SERVICES RATES
Unbundled Network Elements
FLORIDA

CATEGORY	NOTES	UNBUNDLED NETWORK ELEMENT	Interim	Zone	BCS	USOC	RATES					OSS RATES									
							Rec	First	Add'l	First	Add'l	Svc Order Submitted Elec per LSR	Svc Order Submitted Manually per LSR	Incremental Charge - Manual Svc Order vs. Electronic-1st	Incremental Charge - Manual Svc Order vs. Electronic-Add'l	Incremental Charge - Manual Svc Order vs. Electronic-Disc 1st	Incremental Charge - Manual Svc Order vs. Electronic-Disc Add'l				
																		Nonrecurring		Nonrecurring	
																		Disconnect		Disconnect	
SOMEK	SOMAN	SOMAN	SOMAN	SOMAN	SOMAN																
		4-Wire Unbundled Copper Loop/Long - without manual svc. inquiry and facility reservation - Zone 2		2	UCL	UCL4O	\$119.02	\$247.44	\$164.06	\$114.30	\$19.58	\$3.50	\$19.99								
		4-Wire Unbundled Copper Loop/Long - without manual svc. inquiry and facility reservation - Zone 3		3	UCL	UCL4O	\$147.54	\$247.44	\$164.06	\$114.30	\$19.58	\$3.50	\$19.99								
		Order Coordination for Unbundled Copper Loops (per loop)			UCL	UCLMC		\$16.31	\$16.31												
LOOP MODIFICATION																					
		Unbundled Loop Modification, Removal of Load Coils - 2 Wire pair less than or equal to 18k ft			UAL, UHL, UCL, UEQ	ULM2L		\$65.40	\$65.40												
		Unbundled Loop Modification, Removal of Load Coils - 2 wire greater than 18k ft			UCL	ULM2G		\$710.71	\$23.77												
		Unbundled Loop Modification Removal of Load Coils - 4 Wire less than or equal to 18K ft			UHL, UCL	ULM4L		\$65.40	\$65.40												
		Unbundled Loop Modification Removal of Load Coils - 4 Wire pair greater than 18k ft			UCL	ULM4G		\$710.71	\$23.77												
		Unbundled Loop Modification Removal of Bridged Tap Removal, per unbundled loop			UAL, UHL, UCL, UEQ, UEF	ULMBT		\$65.44	\$65.44												
SUB-LOOPS																					
Sub-Loop Distribution																					
		Sub-Loop - Per Cross Box Location - CLEC Feeder Facility Set-Up	I		UEANL	USBSA		\$711.78	\$711.78			\$3.50	\$19.99								
		Sub-Loop - Per Cross Box Location - Per 25 Pair Panel Set-Up	I		UEANL	USBSB		\$45.28	\$45.28			\$3.50	\$19.99								
		Sub-Loop - Per Building Equipment Room - CLEC Feeder Facility Set-Up	I		UEANL	USBSC		\$333.44	\$333.44			\$3.50	\$19.99								
		Sub-Loop - Per Building Equipment Room - Per 25 Pair Panel Set-Up	I		UEANL	USBSD		\$109.85	\$109.85			\$3.50	\$19.99								
		Sub-Loop Distribution Per 2-Wire Analog Voice Grade Loop - Zone 1	I	1	UEANL	USBN2	\$9.36	\$139.20	\$61.94	\$98.49	\$13.08	\$3.50	\$19.99								
		Sub-Loop Distribution Per 2-Wire Analog Voice Grade Loop - Zone 2	I	2	UEANL	USBN2	\$12.49	\$139.20	\$61.94	\$98.49	\$13.08	\$3.50	\$19.99								
		Sub-Loop Distribution Per 2-Wire Analog Voice Grade Loop - Zone 3	I	3	UEANL	USBN2	\$16.13	\$139.20	\$61.94	\$98.49	\$13.06	\$3.50	\$19.99								
		Order Coordination for Unbundled Sub-Loops, per sub-loop pair			UEANL	USBMC		\$23.24	\$23.24												
		Sub-Loop Distribution Per 4-Wire Analog Voice Grade Loop - Zone 1	I	1	UEANL	USBN4	\$10.12	\$165.68	\$88.42	\$104.31	\$17.15	\$3.50	\$19.99								
		Sub-Loop Distribution Per 4-Wire Analog Voice Grade Loop - Zone 2	I	2	UEANL	USBN4	\$18.29	\$165.68	\$88.42	\$104.31	\$17.15	\$3.50	\$19.99								
		Sub-Loop Distribution Per 4-Wire Analog Voice Grade Loop - Zone 3	I	3	UEANL	USBN4	\$26.09	\$165.68	\$88.42	\$104.31	\$17.15	\$3.50	\$19.99								
		Order Coordination for Unbundled Sub-Loops, per sub-loop pair			UEANL	USBMC		\$23.24	\$23.24												
		Sub-Loop 2-Wire IntraBuilding Network Cable (INC)	I		UEANL	USBR2	\$3.87	\$113.62	\$36.36	\$98.49	\$13.08	\$3.50	\$19.99								
		Order Coordination for Unbundled Sub-Loops, per sub-loop pair			UEANL	USBMC		\$23.24	\$23.24												
		Sub-Loop 4-Wire IntraBuilding Network Cable (INC)	I		UEANL	USBR4	\$7.32	\$126.10	\$48.84	\$104.31	\$17.15	\$3.50	\$19.99								
		Order Coordination for Unbundled Sub-Loops, per sub-loop pair			UEANL	USBMC		\$23.24	\$23.24												
		2 Wire Copper Unbundled Sub-Loop Distribution - Zone 1	I	1	UEF	UCS2X	\$7.91	\$139.20	\$61.94	\$98.49	\$13.08	\$3.50	\$19.99								
		2 Wire Copper Unbundled Sub-Loop Distribution - Zone 2	I	2	UEF	UCS2X	\$10.37	\$139.20	\$61.94	\$98.49	\$13.08	\$3.50	\$19.99								
		2 Wire Copper Unbundled Sub-Loop Distribution - Zone 3	I	3	UEF	UCS2X	\$12.76	\$139.20	\$61.94	\$98.49	\$13.08	\$3.50	\$19.99								
		Order Coordination for Unbundled Sub-Loops, per sub-loop pair			UEF	USBMC		\$23.24	\$23.24												
		4 Wire Copper Unbundled Sub-Loop Distribution - Zone 1	I	1	UEF	UCS4X	\$7.11	\$165.68	\$88.42	\$104.31	\$17.15	\$3.50	\$19.99								
		4 Wire Copper Unbundled Sub-Loop Distribution - Zone 2	I	2	UEF	UCS4X	\$11.26	\$165.68	\$88.42	\$104.31	\$17.15	\$3.50	\$19.99								
		4 Wire Copper Unbundled Sub-Loop Distribution - Zone 3	I	3	UEF	UCS4X	\$16.92	\$165.68	\$88.42	\$104.31	\$17.15	\$3.50	\$19.99								
		Order Coordination for Unbundled Sub-Loops, per sub-loop pair			UEF	USBMC		\$23.24	\$23.24												
Sub-Loop Feeder																					
		USL-Feeder, DS0 Set-up per Cross Box location - CLEC Distribution Facility set-up			UEA, UDN,UCL,UDL,UDC	USBFW		711.78													
		USL Feeder - DS0 Set-up per Cross Box location - per 25 pair set-up			UEA, UDN,UCL,UDL,UDC	USBFX		\$45.28	\$45.28												
		USL Feeder DS1 Set-up at DSX location, per DS1 termination			USL	USBFZ		\$522.41	\$11.32												
		Unbundled Sub-Loop Feeder Loop, 2 Wire Ground Start, Voice Grade - Zone 1		1	UEA	USBFA	\$10.75	\$193.62	\$113.00	\$116.59	\$26.70	\$3.50	\$19.99								
		Unbundled Sub-Loop Feeder Loop, 2 Wire Ground-Start, Voice Grade - Zone 2		2	UEA	USBFA	\$11.57	\$193.62	\$113.00	\$116.59	\$26.70	\$3.50	\$19.99								
		Unbundled Sub-Loop Feeder Loop, Per 2 Wire Ground-Start, Voice Grade - Zone 3		3	UEA	USBFA	\$13.51	\$193.62	\$113.00	\$116.59	\$26.70	\$3.50	\$19.99								
		Order Coordination for Specified Conversion Time, per LSR			UEA	OCOSL		\$23.24													
		Unbundle Sub-Loop Feeder Loop, 2 Wire Loop-Start, Voice Grade - Zone 1		1	UEA	USBFB	\$10.75	\$193.62	\$113.00	\$116.59	\$26.70	\$3.50	\$19.99								

BELLSOUTH / METROMEDIA FIBER NETWORK SERVICES RATES
Unbundled Network Elements
FLORIDA

CATEGORY	NOTES	UNBUNDLED NETWORK ELEMENT	Interim	Zone	BCS	USOC	RATES					OSS RATES						
							Rec	First	Add'l	First	Add'l	Svc Order Submitted Elec per LSR	Svc Order Submitted Manually per LSR	Incremental Charge - Manual Svc Order vs. Electronic-1st	Incremental Charge - Manual Svc Order vs. Electronic-Add'l	Incremental Charge - Manual Svc Order vs. Electronic-Disc 1st	Incremental Charge - Manual Svc Order vs. Electronic-Disc Add'l	
																		Nonrecurring
SOMECS	SOMAN	SOMAN	SOMAN	SOMAN	SOMAN													
		Unbundled Sub-Loop Feeder Loop, 2 Wire Loop-Start, Voice Grade - Zone 2		2	UEA	USBFB	\$11.57	\$193.62	\$113.00	\$116.59	\$26.70	\$3.50	\$19.99					
		Unbundled Sub-Loop Feeder Loop, 2 Wire Start Loop, Voice Grade - Zone 3		3	UEA	USBFB	\$13.51	\$193.62	\$113.00	\$116.59	\$26.70	\$3.50	\$19.99					
		Order Coordination for Specified Time Conversion, per LSR			UEA	OCOSL		\$23.24										
		Unbundled Sub-Loop Feeder Loop, 2 Wire Reverse Battery, Voice Grade - Zone 1		1	UEA	USBFC	\$10.75	\$193.62	\$113.00	\$116.59	\$26.70	\$3.50	\$19.99					
		Unbundled Sub-Loop Feeder Loop, 2 Wire Reverse Battery, Voice Grade - Zone 2		2	UEA	USBFC	\$11.57	\$193.62	\$113.00	\$116.59	\$26.70	\$3.50	\$19.99					
		Unbundled Sub-Loop Feeder Loop, 2 Wire Analog Reverse Battery, Voice Grade - Zone 3		3	UEA	USBFC	\$13.51	\$193.62	\$113.00	\$116.59	\$26.70	\$3.50	\$19.99					
		Order Coordination For Specified Conversion Time, per LSR			UEA	OCOSL		\$23.24										
		Unbundled Sub-Loop Feeder Loop, 4 Wire Ground-Start, Voice Grade - Zone 1		1	UEA	USBFD	\$23.35	\$222.74	\$140.22	\$127.64	\$32.91	\$3.50	\$19.99					
		Unbundled Sub-Loop Feeder Loop, 4 Wire Ground-Start, Voice Grade - Zone 2		2	UEA	USBFD	\$27.94	\$222.74	\$140.22	\$127.64	\$32.91	\$3.50	\$19.99					
		Unbundled Sub-Loop Feeder Loop, 4 Wire Ground Start, Voice Grade - Zone 3		3	UEA	USBFD	\$40.51	\$222.74	\$140.22	\$127.64	\$32.91	\$3.50	\$19.99					
		Order Coordination For Specified Conversion Time, Per LSR			UEA	OCOSL		\$23.24										
		Unbundled Sub-Loop Feeder Loop, 4 Wire Loop-Start, Voice Grade - Zone 1		1	UEA	USBFE	\$23.35	\$222.74	\$140.22	\$127.64	\$32.91	\$3.50	\$19.99					
		Unbundled Sub-Loop Feeder Loop, 4 Wire Loop-Start, Voice Grade - Zone 2		2	UEA	USBFE	\$27.94	\$222.74	\$140.22	\$127.64	\$32.91	\$3.50	\$19.99					
		Unbundled Sub-Loop Feeder Loop, 4 Wire Loop-Start, Voice Grade - Zone 3		3	UEA	USBFE	\$40.51	\$222.74	\$140.22	\$127.64	\$32.91	\$3.50	\$19.99					
		Order Coordination For Specified Conversion Time, Per LSR			UEA	OCOSL		\$23.24										
		Unbundled Sub-Loop Feeder Loop, 2 Wire ISDN BRI - Zone 1		1	UDN	USBFF	\$22.39	\$219.94	\$137.43	\$118.79	\$25.97	\$3.50	\$19.99					
		Unbundled Sub-Loop Feeder Loop, 2-Wire ISDN BRI - Zone 2		2	UDN	USBFF	\$25.85	\$219.94	\$137.43	\$118.79	\$25.97	\$3.50	\$19.99					
		Unbundled Sub-Loop Feeder Loop, 2-Wire ISDN BRI - Zone 3		3	UDN	USBFF	\$26.12	\$219.94	\$137.43	\$118.79	\$25.97	\$3.50	\$19.99					
		Order Coordination For Specified Conversion Time, Per LSR			UDN	OCOSL		\$23.24										
		Unbundled Sub-Loop Feeder, 2 Wire UDC (IDSL compatible)		1	UDC	USBFS	\$22.39	\$219.94	\$137.43	\$118.79	\$25.97	\$3.5	\$19.99					
		Unbundled Sub-Loop Feeder, 2 Wire UDC (IDSL compatible)		2	UDC	USBFS	\$25.85	\$219.94	\$137.43	\$118.79	\$25.97	\$3.5	\$19.99					
		Unbundled Sub-Loop Feeder, 2 Wire UDC (IDSL compatible)		3	UDC	USBFS	\$26.12	\$219.94	\$137.43	\$118.79	\$25.97	\$3.5	\$19.99					
		Unbundled Sub-Loop Feeder Loop, 4-Wire DS1 - Zone 1		1	USL	USBFG	\$56.00	\$211.55	\$129.04	\$127.78	\$33.06	\$3.50	\$19.99					
		Unbundled Sub-Loop Feeder, 4-Wire DS1 - Zone 2		2	USL	USBFG	\$80.13	\$211.55	\$129.04	\$127.78	\$33.06	\$3.50	\$19.99					
		Unbundled Sub-Loop Feeder Loop, 4-Wire DS1 - Zone 3		3	USL	USBFG	\$156.12	\$211.55	\$129.04	\$127.78	\$33.06	\$3.50	\$19.99					
		Order Coordination For Specified Conversion Time, Per LSR			USL	OCOSL		\$23.24										
		Unbundled Sub-Loop Feeder, 2-Wire Copper Loop - Zone 1		1	UCL	USBFH	\$11.01	\$175.18	\$92.66	\$113.67	\$20.84	\$3.50	\$19.99					
		Unbundled Sub-Loop Feeder Loop, 2-Wire Copper Loop - Zone 2		2	UCL	USBFH	\$9.78	\$175.18	\$92.66	\$113.67	\$20.84	\$3.50	\$19.99					
		Unbundled Sub-Loop Feeder Loop, 2-Wire Copper Loop - Zone 3		3	UCL	USBFH	\$7.83	\$175.18	\$92.66	\$113.67	\$20.84	\$3.50	\$19.99					
		Order Coordination For Specified Conversion Time, per LSR			UCL	OCOSL		\$23.24										
		Sub-Loop Feeder - Per 4-Wire Copper Loop - Zone 1		1	UCL	USBFJ	\$20.59	\$209.61	\$127.09	\$119.80	\$25.07	\$3.50	\$19.99					
		Sub-Loop Feeder - Per 4-Wire Copper Loop - Zone 2		2	UCL	USBFJ	\$21.48	\$209.61	\$127.09	\$119.80	\$25.07	\$3.50	\$19.99					
		Sub-Loop Feeder - Per 4-Wire Copper Loop - Zone 3		3	UCL	USBFJ	\$17.70	\$209.61	\$127.09	\$119.80	\$25.07	\$3.50	\$19.99					
		Order Coordination For Specified Conversion Time, per LSR			UCL	OCOSL		\$23.24										
		Sub-Loop Feeder - Per 4-Wire 19.2 Kbps Digital Grade Loop		1	UDL	USBFN	\$24.89	\$211.32	\$128.81	\$127.64	\$32.91	\$3.5	\$19.99					
		Sub-Loop Feeder - Per 4-Wire 19.2 Kbps Digital Grade Loop		2	UDL	USBFN	\$28.83	\$211.32	\$128.81	\$127.64	\$32.91	\$3.5	\$19.99					
		Sub-Loop Feeder - Per 4-Wire 19.2 Kbps Digital Grade Loop		3	UDL	USBFN	\$29.16	\$211.32	\$128.81	\$127.64	\$32.91	\$3.5	\$19.99					
		Sub-Loop Feeder - Per 4-Wire 56 Kbps Digital Grade Loop - Zone 1		1	UDL	USBFO	\$24.89	\$211.32	\$128.81	\$127.64	\$32.91	\$3.50	\$19.99					
		Sub-Loop Feeder - Per 4-Wire 56 Kbps Digital Grade Loop - Zone 2		2	UDL	USBFO	\$28.83	\$211.32	\$128.81	\$127.64	\$32.91	\$3.50	\$19.99					
		Sub-Loop Feeder - Per 4-Wire 56 Kbps Digital Grade Loop - Zone 3		3	UDL	USBFO	\$29.16	\$211.32	\$128.81	\$127.64	\$32.91	\$3.50	\$19.99					
		Order Coordination For Specified Time Conversion, per LSR			UDL	OCOSL		\$23.24										
		Sub-Loop Feeder - Per 4-Wire 64 Kbps Digital Grade Loop - Zone 1		1	UDL	USBFP	\$24.89	\$211.32	\$128.81	\$127.64	\$32.91	\$3.50	\$19.99					
		Sub-Loop Feeder - Per 4-Wire 64 Kbps Digital Grade Loop - Zone 2		2	UDL	USBFP	\$28.83	\$211.32	\$128.81	\$127.64	\$32.91	\$3.50	\$19.99					
		Sub-Loop Feeder - Per 4-Wire 64 Kbps Digital Grade Loop - Zone 3		3	UDL	USBFP	\$29.16	\$211.32	\$128.81	\$127.64	\$32.91	\$3.50	\$19.99					
		Order Coordination For Specified Conversion Time, per LSR			UDL	OCOSL		\$23.24										
		Unbundled Sub-Loop Modification																
		Unbundled Sub-Loop Modification - 2-W Copper Dist Load Coil/Equip Removal per 2-W PR			UEF	ULM2X		\$357.81	\$8.15			\$3.50	\$19.99					
		Unbundled Sub-loop Modification - 4-W Copper Dist Load Coil/Equip Removal per 4-W PR			UEF	ULM4X		\$357.81	\$8.15			\$3.50	\$19.99					

BELLSOUTH / METROMEDIA FIBER NETWORK SERVICES RATES
Unbundled Network Elements
FLORIDA

CATEGORY	NOTES	UNBUNDLED NETWORK ELEMENT	Interim	Zone	BCS	USOC	RATES				OSS RATES											
							Rec	First	Add'l	First	Add'l	SOME C	SOMAN	SOMAN	SOMAN	SOMAN	SOMAN	SOMAN				
																			Nonrecurring		Nonrecurring	
																			Disconnect		Disconnect	
Svc Order Submitted Elec per LSR	Svc Order Submitted Manually per LSR	Incremental Charge - Manual Svc Order vs. Electronic-1st	Incremental Charge - Manual Svc Order vs. Electronic-Add'l	Incremental Charge - Manual Svc Order vs. Electronic-Disc 1st	Incremental Charge - Manual Svc Order vs. Electronic-Disc Add'l																	
		Unbundled Sub-loop Modification - 2-w/4-w Copper Dist Bridged Tap Removal, per PR unloaded			UEF	ULM4T		\$562.71	\$10.19				\$3.50	\$19.99								
		Unbundled Network Terminating Wire (UNTW)																				
		Unbundled Network Terminating Wire (UNTW) per Pair			UENTW	UENPP	\$0.46	\$63.35	\$63.35				\$3.50	\$19.99			\$3.84	\$3.84				
		Network Interface Device (NID)																				
		Network Interface Device (NID) - 1-2 lines			UENTW	UND12		\$94.50	\$57.22													
		Network Interface Device (NID) - 1-6 lines			UENTW	UND16		\$136.75	\$99.47								\$3.84	\$3.84				
		Network Interface Device Cross Connect - 2 W			UENTW	UNDC2		\$6.15	\$6.50				\$3.50	\$19.99			\$3.84	\$3.84				
		Network Interface Device Cross Connect - 4W			UENTW	UNDC4		\$6.15	\$6.15				\$3.50	\$19.99			\$3.84	\$3.84				
		UNBUNDLED LOOP CONCENTRATION																				
		Unbundled Loop Concentration - System A (TR008)			ULC	UCT8A	\$470.73	\$651.05	\$651.05													
		Unbundled Loop Concentration - System B (TR008)			ULC	UCT8B	\$55.96	271.27	271.27													
		Unbundled Loop Concentration - System A (TR303)			ULC	UCT3A	\$510.37	\$651.05	\$651.05													
		Unbundled Loop Concentration - System B (TR303)			ULC	UCT3B	\$94.30	\$271.27	271.27													
		Unbundled Loop Concentration - DS1 Loop Interface Card			ULC	UCTCO	\$5.28	\$126.61	\$92.17	\$31.11	\$8.71											
		Unbundled Loop Concentration - ISDN Loop Interface (Brite Card)			UDN	ULCC1	\$8.38	\$21.07	\$20.96	\$9.99	\$9.93							\$3.84				
		Unbundled Loop Concentration - UDC Loop Interface (Brite Card)			UDC	ULCCU	\$8.38	\$21.07	\$20.96	\$9.99	\$9.93											
		Unbundled Loop Concentration - 2 Wire Voice-Loop Start or Ground Start Loop Interface (POTS Card)			UEA	ULCC2	\$2.10	\$21.07	\$20.96	\$9.99	\$9.93											
		Unbundled Loop Concentration - 2 Wire Voice - Reverse Battery Loop Interface (SPOTS Card)			UEA	ULCCR	\$12.46	\$21.07	\$20.96	\$9.99	\$9.93											
		Unbundled Loop Concentration - 4 Wire Voice Loop Interface			UEA	ULCC4	\$7.43	\$21.07	\$20.96	\$9.99	\$9.93											
		Unbundled Loop Concentration - TEST CIRCUIT Card			ULC	UCTTC	\$36.31	\$21.07	\$20.96	\$9.99	\$9.93							\$3.84				
		Unbundled Loop Concentration - Digital 19.2 Kbps Data Loop Interface			UDL	ULCC7	\$11.01	\$21.07	\$20.96	\$9.99	\$9.93											
		Unbundled Loop Concentration - Digital 56 Kbps Data Loop Interface			UDL	ULCC5	\$11.01	\$21.07	\$20.96	\$9.99	\$9.93											
		Unbundled Loop Concentration - Digital 64 Kbps Data Loop Interface			UDL	ULCC6	\$11.01	\$21.07	\$20.96	\$9.99	\$9.93							\$3.84				
		UNBUNDLED SUB-LOOP CONCENTRATION (OUTSIDE CO)																				
		UNE OTHER, PROVISIONING ONLY - NO RATE																				
		NID - Dispatch and Service Order for NID installation			UENTW	UNDBX																
		UNTW Circuit Id Establishment, Provisioning Only - No Rate			UENTW	UENCE																
		Unbundled Contract Name, Provisioning Only - No Rate			UEANL,UEF,UEQ,UENTW	UNECN																
		Unbundled Contact Name, Provisioning Only - no rate			UAL,UCL,UDC,UDL,UDN,UEA,UHL,ULC	UNECN	\$0.0	\$0.0														
		Unbundled Sub-Loop Feeder-2 Wire Cross Box Jumper - no rate			UEA,UDN,UCL,UDC	USBFQ	\$0.0	\$0.0														
		Unbundled Sub-Loop Feeder-4 Wire Cross Box Jumper - no rate			UEA,USL,UCL,UDL	USBFR	\$0.0	\$0.0														
		Unbundled DS1 Loop - Superframe Format Option - no rate			USL	CCOSF	\$0.0	\$0.0														
		Unbundled DS1 Loop - Expanded Superframe Format option - no rate			USL	CCOEF	\$0.0	\$0.0														
		HIGH CAPACITY UNBUNDLED LOCAL LOOP																				
		NOTE: 4 month minimum billing period																				
		High Capacity Unbundled Local Loop - DS3 - Per Mile per month			UE3	1L5ND	\$11.77															
		High Capacity Unbundled Local Loop - DS3 - Facility Termination per month			UE3	UE3PX	\$404.58	\$903.37	\$528.05	\$221.46	\$154.90	\$3.5	\$25.4									
		High Capacity Unbundled Local Loop - STS-1 - Per Mile per month			UDLSX	1L5ND	\$11.77															
		High Capacity Unbundled Local Loop - STS-1 - Facility Termination per month			UDLSX	UDLS1	\$446.09	\$903.37	\$528.05	\$221.46	\$154.9	\$3.5	\$25.4									
		LOOP MAKE-UP																				
		Loop Makeup - Preordering Without Reservation, per working or spare facility queried (Manual). **			UMK	UMKLW		\$48.07	\$48.07													

BELLSOUTH / METROMEDIA FIBER NETWORK SERVICES RATES
Unbundled Network Elements
FLORIDA

CATEGORY	NOTES	UNBUNDLED NETWORK ELEMENT	Interim	Zone	BCS	USOC	RATES				OSS RATES											
							Rec	First	Add'l	First	Add'l	SOMEK	SOMAN	SOMAN	SOMAN	SOMAN	SOMAN	SOMAN				
																			Nonrecurring		Nonrecurring	
																			Disconnect		Disconnect	
Svc Order Submitted Elec per LSR	Svc Order Submitted Manually per LSR	Incremental Charge - Manual Svc Order vs. Electronic-1st	Incremental Charge - Manual Svc Order vs. Electronic-Add'l	Incremental Charge - Manual Svc Order vs. Electronic-Disc 1st	Incremental Charge - Manual Svc Order vs. Electronic-Disc Add'l																	
		Loop Makeup - Preordering With Reservation, per spare facility queried (Manual). **			UMK	UMKLP		\$50.97	\$50.97													
		Loop Makeup--With or Without Reservation, per working or spare facility queried (Mechanized) **						\$0.6888	\$0.6888													
LINE SHARING																						
		Line Sharing Splitter, per System 96 Line Capacity	I		ULS	ULSDA	\$100.00	\$150.00	\$0.0	\$150.00	\$0.0	\$0.0	\$0.0									
		Line Sharing Splitter, per System 24 Line Capacity	I		ULS	ULSDB	\$25.00	\$150.00	\$0.0	\$150.00	\$0.0	\$0.0	\$0.0									
		Line Sharing - per Line Activation	I		ULS	ULSDC	\$0.61	\$40.00	\$22.00		\$3.50	\$19.99										
		Line Sharing - per Subsequent Activity per Line Rearrangement	I		ULS	ULSDS		\$30.00	\$15.00		\$3.50	\$19.99										
UNBUNDLED TRANSPORT																						
		COMMON TRANSPORT (Shared)																				
		Common Transport - Per Mile, Per MOU					\$0.0000039															
		Common Transport - Facilities Termination Per MOU					\$0.0004579															
		NOTE: INTEROFFICE CHANNEL - DEDICATED TRANSPORT - minimum billing period: below DS3 = one month, DS3 and above four months																				
		INTEROFFICE CHANNEL - DEDICATED TRANSPORT - VOICE GRADE																				
		Interoffice Channel - Dedicated Transport - 2-Wire Voice Grade - Per Mile per month			U1TVX	1L5XX	\$0.0098															
		Interoffice Channel - Dedicated Transport- 2- Wire Voice Grade - Facility Termination per month			U1TVX	U1TV2	\$26.52	\$81.09	\$54.83	\$31.01	\$12.78	\$3.5	\$24.5									
		Interoffice Channel - Dedicated Transport- 2-Wire Voice Grade Rev Bat. - Per Mile per month			U1TVX	1L5XX	\$0.0098															
		Interoffice Channel - Dedicated Transport- 2- Wire VG Rev Bat. - Facility Termination per month			U1TVX	U1TR2	\$26.52	\$81.09	\$54.83	\$31.01	\$12.78	\$3.50	\$3.50	\$0.00	\$0.00	\$0.00	\$0.00	\$0.00	\$0.00	\$0.00		
		Interoffice Channel - Dedicated Transport - 4-Wire Voice Grade - Per Mile per month			U1TVX	1L5XX	\$0.0098															
		Interoffice Channel - Dedicated Transport - 4- Wire Voice Grade - Facility Termination per month			U1TVX	U1TV4	\$23.64	\$81.09	\$54.63	\$31.01	\$12.78	\$3.5	\$25.4									
		Interoffice Channel - Dedicated Transport - 56 kbps - per mile per month			U1TDX	1L5XX	\$0.0098															
		Interoffice Channel - Dedicated Transport - 56 kbps - Facility Termination per month			U1TDX	U1TD5	\$19.31	\$81.11	\$54.83	\$31.01	\$12.78	\$3.5	\$25.4									
		Interoffice Channel - Dedicated Transport - 64 kbps - per mile per month			U1TDX	1L5XX	\$0.0098															
		Interoffice Channel - Dedicated Transport - 64 kbps - Facility Termination per month			U1TDX	U1TD6	\$19.31	\$81.11	\$54.83	\$31.01	\$12.78	\$3.50	\$25.4	\$0.00	\$0.00	\$0.00	\$0.00	\$0.00	\$0.00			
		INTEROFFICE CHANNEL - DEDICATED TRANSPORT - DS1																				
		Interoffice Channel - Dedicated Channel - DS1 - Per Mile per month			U1TD1	1L5XX	\$0.2000															
		Interoffice Channel - Dedicated Transport - DS1 - Facility Termination per month			U1TD1	U1TF1	\$92.62	\$178.59	\$163.66	\$30.30	\$26.76	\$3.5	\$25.4									
		INTEROFFICE CHANNEL - DEDICATED TRANSPORT- DS3																				
		Interoffice Channel - Dedicated Transport - DS3 - Per Mile per month			U1TD3	1L5XX	\$4.17															
		Interoffice Channel - Dedicated Transport - DS3 - Facility Termination per month			U1TD3	U1TF3	\$1,121.93	\$557.69	\$325.61	\$111.56	\$108.34	\$3.5	\$25.4									
		INTEROFFICE CHANNEL - DEDICATED TRANSPORT- STS-1																				
		Interoffice Channel - Dedicated Transport - STS-1 - Per Mile per month			U1TS1	1L5XX	\$4.17															
		Interoffice Channel - Dedicated Transport - STS-1 - Facility Termination per month			U1TS1	U1TFS	\$1,105.98	\$557.69	\$325.61	\$111.56	\$108.34	\$3.5	\$25.4									

BELLSOUTH / METROMEDIA FIBER NETWORK SERVICES RATES
Unbundled Network Elements
FLORIDA

CATEGORY	NOTES	UNBUNDLED NETWORK ELEMENT	Interim	Zone	BCS	USOC	RATES				OSS RATES							
							Rec	Nonrecurring		Disconnect	Svc Order Submitted Elec per LSR	Svc Order Submitted Manually per LSR	Incremental Charge - Manual Svc Order vs. Electronic-1st	Incremental Charge - Manual Svc Order vs. Electronic-Add'l	Incremental Charge - Manual Svc Order vs. Electronic-Disc 1st	Incremental Charge - Manual Svc Order vs. Electronic-Disc Add'l		
								First	Add'l								First	Add'l
								SOME	SOMAN								SOMAN	SOMAN
LOCAL CHANNEL - DEDICATED TRANSPORT																		
NOTE: LOCAL CHANNEL DEDICATED TRANSPORT - minimum billing period - below DS3=one month, DS3 and above=four months																		
		Local Channel - Dedicated - 2-Wire Voice Grade per month - Zone 1		1	ULCVX	ULDV2	\$29.33	\$386.34	\$66.36	\$67.91	\$5.92	\$3.5	\$25.4					
		Local Channel - Dedicated - 2-Wire Voice Grade per month - Zone 2		2	ULCVX	ULDV2	\$29.33	\$386.34	\$29.33	\$66.36	\$67.91	\$3.5	\$25.4					
		Local Channel - Dedicated - 2-Wire Voice Grade Rev. Bat. Per month - Zone 1		1	ULCVX	ULDR2	\$29.33	\$386.34	\$66.36	\$67.91	\$5.92	\$3.50	\$25.4	\$0.00	\$0.00	\$0.00	\$0.00	
		Local Channel - Dedicated - 2-Wire Voice Grade Rev. Bat. Per Month - Zone 2		2	ULCVX	ULDR2	\$35.02	\$386.34	\$29.33	\$66.36	\$67.91	\$3.50		\$0.00	\$0.00	\$0.00	\$0.00	
		Local Channel - Dedicated - 4-Wire Voice Grade per month - Zone 1		1	UNCVX	ULDV4	\$30.5											
		Local Channel - Dedicated - 4-Wire Voice Grade per month - Zone 2		2	UNCVX	ULDV4	\$36.18											
		Local Channel - Dedicated - DS1 per month - Zone 1		1	ULDD1	ULDF1	\$43.53	\$355.08	\$307.54	\$41.13	\$28.28	\$3.5	\$25.4					
		Local Channel - Dedicated - DS1 per month - Zone 2		2	ULDD1	ULDF1	\$58.19	\$355.08	\$43.53	\$307.54	\$41.13	\$3.50	\$25.4	\$0.00	\$0.00	\$0.00	\$0.00	
		Local Channel - Dedicated - DS1 per month - Zone 3		3	ULDD1	ULDF1	\$108.24	\$355.08	\$307.54	\$41.13	\$28.28	\$3.50	\$25.4	\$0.00	\$0.00	\$0.00	\$0.00	
		Local Channel - Dedicated - DS3 - Per Mile per month			ULDD3	1L5NC	\$9.16											
		Local Channel - Dedicated - DS3 - Facility Termination per month			ULDD3	ULDF3	\$556.27	\$903.37	\$528.05	\$221.46	\$154.9	\$3.5	\$25.4					
		Local Channel - Dedicated - STS-1 - Per Mile per month			ULDS1	1L5NC	\$9.16											
		Local Channel - Dedicated - STS-1 - Facility Termination per month			ULDS1	ULDFS	\$565.48	\$903.37	\$556.27	\$528.05	\$221.46	\$3.50	\$25.4	\$0.00	\$0.00	\$0.00	\$0.00	
MULTIPLEXERS																		
		Channelization - DS1 to DS0 Channel System			UXTD1	MQ1	\$153.60	\$182.14	\$125.18	\$19.52	\$18.14	\$3.5	\$25.4					
		OCU-DP COCI (data) - DS1 to DS0 Channel System - per month (2.4-64kbs)			UDL	1D1DD	\$2.20	\$13.16	\$9.43									
		2-wire ISDN COCI (BRITE) - DS1 to DS0 Channel System - per month			UDN	UC1CA	\$3.83	\$13.16	\$9.43									
		Voice Grade COCI - DS1 to DS0 Channel System - per month			UEA	1D1VG	\$1.45	\$13.16	\$9.43									
		DS3 to DS1 Channel System per month			UXTD3	MQ3	\$220.97	\$356.40	\$188.00	\$61.64	\$58.98	\$3.5	\$25.4					
		STS1 to DS1 Channel System per month			UXTS1	MQ3	\$220.97	\$356.40	\$188.00	\$61.64	\$58.98	\$3.50	\$25.4					
		DS3 Interface Unit (DS1 COCI) used with Loop per month			USL	UC1D1	\$14.40	\$13.16	\$9.43									
DARK FIBER																		
		Dark Fiber, Four Fiber Strands, Per Route Mile or Fraction Thereof per month - Local Channel			UDF	1L5DC	\$58.35											
		NRC Dark Fiber - Local Channel			UDF	UDFC4		\$1,278.62	\$275.82	\$587.64	\$366.34	\$3.5	\$25.4					
		Dark Fiber, Four Fiber Strands, Per Route Mile or Fraction Thereof per month - Interoffice Channel			UDF	1L5DF	\$28.82											
		NRC Dark Fiber - Interoffice Channel			UDF	UDF14		\$1,278.62	\$275.82	\$587.64	\$366.34	\$3.50	\$25.4	\$0.00	\$0.00	\$0.00	\$0.00	
		Dark Fiber, Four Fiber Strands, Per Route Mile or Fraction Thereof per month - Local Loop			UDF	1L5DL	\$58.35											
		NRC Dark Fiber - Local Loop			UDF	UDFL4		\$1,278.62	\$275.82	\$587.64	\$366.34	\$3.50	\$25.4	\$0.00	\$0.00	\$0.00	\$0.00	
TRANSPORT OTHER																		
Optional Features & Functions:																		
		Clear Channel Capability (B8ZS/ESF) Option - Subsequent - per DS1 Channel			UNC1X	CCOEF		\$184.92	\$23.82	\$2.07	\$0.80	\$3.50	\$21.73			\$3.87	\$3.87	
		Clear Channel Capability (B8ZS/SF) Option - Subsequent - per DS1 Channel			UNC1X	CCOSF		\$184.92	\$23.82	\$2.07	\$0.80	\$3.50	\$21.73			\$3.87	\$3.87	
8XX ACCESS TEN DIGIT SCREENING																		
		8XX Access Ten Digit Screening, Per Call			OHD		\$0.00065											
		8XX Access Ten Digit Screening, Reservation Charge Per 8XX Number Reserved			OHD	N8R1X												
		8XX Access Ten Digit Screening, Per 8XX No. Established W/O POTS Translations			OHD													
		8XX Access Ten Digit Screening, Per 8XX No. Established With POTS Translations			OHD	N8FTX												
		8XX Access Ten Digit Screening, Customized Area of Service Per 8XX Number			OHD	N8FCX												
		8XX Access Ten Digit Screening, Multiple InterLATA CXR Routing Per CXR Requested Per 8XX No.			OHD	N8FMX												
		8XX Access Ten Digit Screening, Change Charge Per Request			OHD	N8FAX												

BELLSOUTH / METROMEDIA FIBER NETWORK SERVICES RATES
Unbundled Network Elements
FLORIDA

CATEGORY	NOTES	UNBUNDLED NETWORK ELEMENT	Interim	Zone	BCS	USOC	RATES				OSS RATES										
							Rec	First	Add'l	First	Add'l	Svc Order Submitted Elec per LSR	Svc Order Submitted Manually per LSR	Incremental Charge - Manual Svc Order vs. Electronic-1st	Incremental Charge - Manual Svc Order vs. Electronic-Add'l	Incremental Charge - Manual Svc Order vs. Electronic-Disc 1st	Incremental Charge - Manual Svc Order vs. Electronic-Disc Add'l				
																		Nonrecurring		Nonrecurring	
																		Disconnect		Disconnect	
SOME	SOMAN	SOMAN	SOMAN	SOMAN	SOMAN																
		8XX Access Ten Digit Screening, Call Handling and Destination Features			OHD	N8FDX															
LINE INFORMATION DATA BASE ACCESS (LIDB)																					
SIGNALING (CCS7)																					
		CCS7 Signaling Termination, Per STP Port					\$113.00					\$3.50									
		CCS7 Signaling Usage, Per TCAP Message					\$0.00004														
		CCS7 Signaling Connection, Per link (A link)					\$5.00	\$400.00	\$400.00			\$3.50									
		CCS7 Signaling Connection, Per link (B link) (also known as D link)					\$5.00	\$400.00	\$400.00			\$3.50									
		CCS7 Signaling Usage, Per ISUP Message					\$0.00001														
		CCS7 Signaling Usage Surrogate, per link per LATA					\$64.00					\$3.50									
		CCS7 Signaling Point Code, Establishment or Change, per STP affected						\$62.00	\$62.00			\$3.50									
CALLING NAME (CNAM) SERVICE																					
		CNAM for DB Owners, Per Query					\$0.016														
		CNAM for Non DB Owners, Per Query					\$0.01														
		CNAM (Non-Databs Owner), NRC, applies when using the Character Based User Interface (CHUI)			OQV	CDDCH		\$595.00				\$3.50	\$19.99								
OPERATOR SERVICES AND DIRECTORY ASSISTANCE																					
OPERATOR CALL PROCESSING																					
		Oper. Call Processing - Oper. Provided, Per Min. - Using BST LIDB					\$1.2														
		Oper. Call Processing - Oper. Provided, Per Min. - Using Foreign LIDB					\$1.24														
		Oper. Call Processing - Fully Automated, per Call - Using BST LIDB					\$0.20														
		Oper. Call Processing - Fully Automated, per Call - Using Foreign LIDB					\$0.20														
INWARD OPERATOR SERVICES																					
		Inward Operator Services - Verification, Per Call					\$1.00														
		Inward Operator Services - Verification and Emergency Interrupt - Per Call					\$1.95														
BRANDING - OPERATOR CALL PROCESSING																					
		Recording of Custom Branded OA Announcement				CBAOS	\$7,000.00	\$7,000.00	\$9.61	\$9.61											
		Loading of Custom Branded OA Announcement per shelf/NAV				CBAOL	\$500.00	\$500.00			\$3.50	\$19.99									
DIRECTORY ASSISTANCE SERVICES																					
DIRECTORY ASSISTANCE ACCESS SERVICE																					
		Directory Assistance Access Service Calls, Charge Per Call					\$0.275														
DIRECTORY ASSISTANCE CALL COMPLETION ACCESS SERVICE (DACC)																					
		Directory Assistance Call Completion Access Service (DACC), Per Call Attempt					\$0.10														
UNBRANDING																					
DIRECTORY TRANSPORT																					
		Directory Transport - Local Channel DS1					\$43.64	\$242.45	\$226.44			\$3.50									
		Directory Transport - DS1 Level Interoffice Per Mile					\$0.6013					\$3.5									
		Directory Transport - DS1 Level Interoffice Per Facility Termination					\$99.79	\$45.91	\$44.18			\$3.50									
		Switched Common Transport Per DA Access Service Per Call					\$0.0003					\$3.5									
		Switched Common Transport Per DA Access Service Per Call Per Mile					\$0.00001					\$3.5									
		Access Tandem Switching Per DA Access Service Per Call					\$0.00055					\$3.5									
		Directory Transport - Installation NRC, Per Trunk or Signaling Connection						\$206.06	\$4.71			\$3.50									

BELLSOUTH / METROMEDIA FIBER NETWORK SERVICES RATES
Unbundled Network Elements
FLORIDA

CATEGORY	NOTES	UNBUNDLED NETWORK ELEMENT	Interim	Zone	BCS	USOC	RATES				OSS RATES										
							Rec	First	Add'l	First	Add'l	Svc Order Submitted Elec per LSR	Svc Order Submitted Manually per LSR	Incremental Charge - Manual Svc Order vs. Electronic-1st	Incremental Charge - Manual Svc Order vs. Electronic-Add'l	Incremental Charge - Manual Svc Order vs. Electronic-Disc 1st	Incremental Charge - Manual Svc Order vs. Electronic-Disc Add'l				
																		Nonrecurring		Nonrecurring	
																		Disconnect		Disconnect	
SOME	SOMAN	SOMAN	SOMAN	SOMAN	SOMAN																
		DIRECTORY ASSISTANCE DATA BASE SERVICE (DADS)																			
		Directory Assistance Data Base Service Charge Per Listing						\$0.04													
		Directory Assistance Data Base Service, per month				DBSOF		\$150.00													
		BRANDING - DIRECTORY ASSISTANCE																			
		Custom Branding Announcement, per Recording to be used with the provision of DA			AMT	CBADA			\$3,000.00	\$3,000.00											
		Loading of Custom Branded Announcement per DRAM Card/Switch			AMT	CBADC			\$690.00	\$690.00											
		SELECTIVE ROUTING																			
		Selective Routing Per Unique Line Class Code Per Request Per Switch				USRCR			\$229.65	\$229.65		\$3.50		\$21.56	\$21.56	\$3.84	\$3.84				
		VIRTUAL COLLOCATION																			
		Virtual Collocation - 2-wire Cross Connects (loop)			ueanl,uea,udn,udc,uaf,uhl,ucl,ueq	UEAC2		\$0.0297	\$33.86	\$31.95		\$3.50									
		Virtual Collocation - 2-wire Cross Connects (port)				VE1R2		\$0.0502	\$11.57	\$11.57		\$3.50									
		Virtual Collocation - 4-wire Cross Connects (loop)			uea,uhl,ucl,ucl	UEAC4		\$0.0594	\$33.99	\$32.00		\$3.50									
		Virtual Collocation - 4-wire Cross Connects (port)				VE1R4		\$0.0502	\$11.57	\$11.57		\$3.50									
		Virtual Collocatin - DS1 Cross Connects			USL,ULC	CNC1X		\$1.37	\$53.30	\$40.2											
		AIN SELECTIVE CARRIER ROUTING																			
		Regional Service Establishment			SRC	SRCEC		\$391,788.00	#####												
		End Office Establishment			SRC	SRCEO		\$320.63	\$320.63												
		Line/Port NRC, per end user			SRC	SRCLP		\$2.06	\$2.06												
		Query NRC, per query			SRC			\$0.000448													
		AIN - BELLSOUTH AIN SMS ACCESS SERVICE																			
		AIN, per message				CAM		\$0.00004													
		AIN - BELLSOUTH AIN TOOLKIT SERVICE																			
		ODUF/EODUF/ADUF/CMDS																			
		ACCESS DAILY USAGE FILE (ADUF)																			
		ADUF: Message Processing, per message						\$0.004													
		ADUF: Data Transmission (CONNECT:DIRECT), per message						\$0.001													
		ENHANCED OPTIONAL DAILY USAGE FILE (EODUF)																			
		EODUF: Message Processing, per message						\$0.004													
		OPTIONAL DAILY USAGE FILE (ODUF)																			
		ODUF: Recording, per message						\$0.008													
		ODUF: Message Processing, per message						\$0.004													
		ODUF: Message Processing, per Magnetic Tape provisioned						\$54.95													
		ODUF: Data Transmission (CONNECT:DIRECT), per message						\$0.001													
		ENHANCED EXTENDED LINK (EELs)																			
		NOTE: New EELs available in State of Georgia, density zone 1 of following SMAs: Orlando, FL; Miami, FL; Ft. Lauderdale, FL; Nashville, TN; New Orleans, LA;																			
		NOTE: Charlotte-Gastonia-Rockhill, NC; Greensboro-Winston Salem-High Point, NC. Use all rates below except Switch As Is Charge.																			
		NOTE: In all states, EEL network elements shown below also apply to currently combined facilities which are converted to UNE rates. A Switch As Is Charge applies to currently combined facilities converted to UNEs.(Non-recurring rates do not apply.)																			

BELLSOUTH / METROMEDIA FIBER NETWORK SERVICES RATES
Unbundled Network Elements
FLORIDA

CATEGORY	NOTES	UNBUNDLED NETWORK ELEMENT	Interim	Zone	BCS	USOC	RATES				OSS RATES								
							Rec	Nonrecurring	Add'l	First	Add'l	SOMEK	SOMAN	SOMAN	SOMAN	SOMAN	SOMAN		
																		Nonrecurring	Disconnect
NOTE: In Georgia, the EEL network elements apply to ordinarily combined network elements per the GA PSC order.(No Switch As Is Charge.)																			
2-WIRE VOICE GRADE EXTENDED LOOP WITH DEDICATED DS1 INTEROFFICE TRANSPORT (EEL)																			
		First 2-Wire VG Loop(SL2)/DS1 Interficed Transport Combination - Zone 1		1	UNCVX	UEAL2	\$18.48	\$194.11	\$92.91	\$75.07	\$11.18	\$3.5	\$25.4						
		First 2-Wire VG Grade Loop(SL2)/DS1 Interficed Transport Combination - Zone 2		2	UNCVX	UEAL2	\$22.43	\$194.11	\$92.91	\$75.07	\$11.18	\$3.50	\$25.4						
		First 2-Wire VG Grade Loop(SL2)/DS1 Interficed Transport Combination - Zone 3		3	UNCVX	UEAL2	\$27.87	\$194.11	\$92.91	\$75.07	\$11.18	\$3.50	\$25.4						
		Interoffice Transport - Dedicated - DS1 combination - Per Mile per month			UNC1X	1L5XX	\$0.2												
		Interoffice Transport - Dedicated - DS1 combination - Facility Termination per month			UNC1X	U1TF1	\$92.62	\$295.9	\$214.01	\$72.12	\$31.8	\$3.5	\$25.4						
		DS1 Channelization System Per Month			UNC1X	MQ1	\$153.6	\$123.46	\$26.7	\$3.13	\$2.82								
		Voice Grade COCI - DS1 To Ds0 Interface - Per Month			UNCVX	1D1VG	\$1.46	\$12.16	\$8.77										
		Each Additional 2-Wire VG Loop(SL 2) in the same DS1 Interoffice Transport Combination - Zone 1		1	UNCVX	UEAL2	\$18.48	\$194.11	\$92.91	\$75.07	\$11.18	\$3.50	\$25.4						
		Each Additional 2-Wire VG Loop(SL2) in the same DS1 Interoffice Transport Combination - Zone 2		2	UNCVX	UEAL2	\$22.43	\$194.11	\$92.91	\$75.07	\$11.18	\$3.50	\$25.4						
		Each Additional 2-Wire VG Loop(SL2) in the same DS1 Interoffice Transport Combination - Zone 3		3	UNCVX	UEAL2	\$27.87	\$194.11	\$92.91	\$75.07	\$11.18	\$3.50	\$25.40						
		Voice Grade COCI - DS1 to DS0 Channel System combination - per month			UNCVX	1D1VG	\$1.46	\$12.16	\$8.77										
		Nonrecurring Currently Combined Network Elements Switch -As-Is Charge			UNC1X	UNCCC		\$12.97	\$11.27	\$12.61	\$12.61	\$3.5	\$25.4						
4-WIRE VOICE GRADE EXTENDED LOOP WITH DEDICATED DS1 INTEROFFICE TRANSPORT (EEL)																			
		First 4-Wire Analog Voice Grade Loop/DS1 Interoffice Transport Combination - Zone 1		1	UNCVX	UEAL4	\$30.2	\$194.11	\$92.91	\$75.07	\$11.18	\$3.5	\$25.4						
		First 4-Wire Analog Voice Grade Loop/DS1 Interoffice Transport Combination - Zone 2		2	UNCVX	UEAL4	\$43.01	\$194.11	\$92.91	\$75.07	\$11.18	\$3.5	\$25.4						
		First 4-Wire Analog Voice Grade Loop/DS1 Interoffice Transport Combination - Zone 3		3	UNCVX	UEAL4	\$64.2	\$194.11	\$92.91	\$75.07	\$11.18	\$3.50	\$25.4						
		Interoffice Transport - Dedicated - DS1 combination - Per Mile Per Month			UNC1X	1L5XX	\$0.2												
		Interoffice Transport - Dedicated - DS1 - Facility Termination Per Month			UNC1X	U1TF1	\$92.62	\$295.9	\$214.01	\$72.12	\$31.8	\$3.50	\$25.4						
		Channelization - Channel System DS1 to DS0 combination Per Month			UNC1X	MQ1	\$153.6	\$123.46	\$26.7	\$3.13	\$2.82								
		Voice Grade COCI - DS1 to DS0 Channel System combination - per month			UNCVX	1D1VG	\$1.45	\$12.16	\$8.77										
		Additional 4-Wire Analog Voice Grade Loop in same DS1 Interoffice Transport Combination - Zone 1		1	UNCVX	UEAL4	\$30.2	\$194.11	\$92.91	\$75.07	\$11.18	\$3.50	\$25.4						
		Additional 4-Wire Analog Voice Grade Loop in same DS1 Interoffice Transport Combination - Zone 2		2	UNCVX	UEAL4	\$43.01	\$194.11	\$92.91	\$75.07	\$11.18	\$3.50	\$25.4						
		Additional 4-Wire Analog Voice Grade Loop in same DS1 Interoffice Transport Combination - Zone 3		3	UNCVX	UEAL4	\$64.2	\$194.11	\$92.91	\$75.07	\$11.18	\$3.50	\$25.4						
		Voice Grade COCI - DS1 to DS0 Channel System combination - per month			UNCVX	1D1VG	\$1.45	\$12.16	\$8.77										
		Nonrecurring Currently Combined Network Elements Switch -As-Is Charge			UNC1X	UNCCC		\$12.97	\$11.27	\$12.61	\$12.61	\$3.50	\$25.4						
4-WIRE 56 KBPS EXTENDED DIGITAL LOOP WITH DEDICATED DS1 INTEROFFICE TRANSPORT (EEL)																			
		First 4-Wire 56Kbps Digital Grade Loop/DS1 Interoffice Transport Combination - Zone 1		1	UNCDX	UDL56	\$33.90	\$194.11	\$92.91	\$75.07	\$11.18	\$3.5	\$25.4						
		First 4-wire 56Kbps Digital Grade Loop/DS1 Interoffice Transport Combination - Zone 2		2	UNCDX	UDL56	\$44.72	\$194.11	\$92.91	\$75.07	\$11.18	\$3.50	\$25.4						
		First 4-Wire 56Kbps Digital Grade Loop/DS1 Interoffice Transport Combination - Zone 3		3	UNCDX	UDL56	\$50.85	\$194.11	\$92.91	\$75.07	\$11.18	\$3.50	\$25.4						

BELLSOUTH / METROMEDIA FIBER NETWORK SERVICES RATES
Unbundled Network Elements
FLORIDA

CATEGORY	NOTES	UNBUNDLED NETWORK ELEMENT	Interim	Zone	BCS	USOC	RATES				OSS RATES										
							Rec	First	Add'l	First	Add'l	SOMEK	SOMAN	SOMAN	SOMAN	SOMAN	SOMAN				
																		Nonrecurring		Nonrecurring	
																		Disconnect		Disconnect	
Svc Order Submitted Elec per LSR	Svc Order Submitted Manually per LSR	Incremental Charge - Manual Svc Order vs. Electronic-1st	Incremental Charge - Manual Svc Order vs. Electronic-Add'l	Incremental Charge - Manual Svc Order vs. Electronic-Disc 1st	Incremental Charge - Manual Svc Order vs. Electronic-Disc Add'l																
		Interoffice Transport - Dedicated - DS1 combination - Per Mile Per Month			UNC1X	1L5XX	\$0.2														
		Interoffice Transport - Dedicated - DS1 - combination Facility Termination Per Month			UNC1X	U1TF1	\$92.62	\$295.9	\$214.01	\$72.12	\$31.8	\$3.5	\$25.4								
		Channelization - Channel System DS1 to DS0 combination Per Month			UNC1X	MQ1	\$153.6	\$123.46	\$26.7	\$3.13	\$2.82										
		OCU-DP COCI (data) - DS1 to DS0 Channel System - per month (2.4-64kbs)			UNC1X	MQ1	\$153.6	\$123.46	\$26.7	\$3.13	\$2.82										
		Additional 4-Wire 56Kbps Digital Grade Loopin same DS1 Interoffice Transport Combination - Zone 1		1	UNC1X	UDL56	\$33.9	\$194.11	\$92.91	\$75.07	\$11.18	\$3.5	\$25.4								
		Additional 4-Wire 56Kbps Digital Grade Loopin same DS1 Interoffice Transport Combination - Zone 2		2	UNC1X	UDL56	\$44.72	\$194.11	\$92.91	\$75.07	\$11.18	\$3.5	\$24.4								
		Additional 4-Wire 56Kbps Digital Grade Loopin same DS1 Interoffice Transport Combination - Zone 3		3	UNC1X	UDL56	\$50.85	\$194.11	\$92.91	\$75.07	\$11.18	\$3.5	\$25.4								
		OCU-DP COCI (data) - DS1 to DS0 Channel System - combination per month (2.4-64kbs)			UNC1X	1D1DD	\$2.2	\$12.16	\$8.77												
		Nonrecurring Currently Combined Network Elements Switch -As-Is Charge			UNC1X	UNCCC		\$12.97	\$11.27	\$12.61	\$12.61	\$3.50	\$25.4								
		4-WIRE 64 KBPS EXTENDED DIGITAL LOOP WITH DEDICATED DS1 INTEROFFICE TRANSPORT (EEL)																			
		First 4-Wire 64Kbps Digital Grade Loop/DS1 Interoffice Transport Combination - Zone 1		1	UNC1X	UDL64	\$33.90	\$194.11	\$92.91	\$75.07	\$11.18	\$3.50	\$25.4								
		First 4-Wire 64Kbps Digital Grade Loop/DS1 Interoffice Transport Combination - Zone 2		2	UNC1X	UDL64	\$44.72	\$194.11	\$92.91	\$75.07	\$11.18	\$3.50	\$25.4								
		First 4-Wire 64Kbps Digital Grade Loop/DS1 Interoffice Transport Combination - Zone 3		3	UNC1X	UDL64	\$50.85	\$194.11	\$92.91	\$75.07	\$11.18	\$3.50	\$25.4								
		Interoffice Transport - Dedicated - DS1 combination - Per Mile Per Month			UNC1X	1L5XX	\$0.2														
		Interoffice Transport - Dedicated - DS1 combination - Facility Termination Per Month			UNC1X	U1TF1	\$92.62	\$295.90	\$214.01	\$72.12	\$31.80	\$3.50	\$25.4								
		Channelization - Channel System DS1 to DS0 combination Per Month			UNC1X	MQ1	\$153.6	\$123.46	\$26.70	\$3.13	\$2.82										
		OCU-DP COCI (data) - DS1 to DS0 Channel System combination - per month (2.4-64kbs)			UNC1X	1D1DD	\$2.20	\$12.16	\$8.77												
		Additional 4-Wire 64Kbps Digital Grade Loopin same DS1 Interoffice Transport Combination - Zone 1		1	UNC1X	UDL64	\$33.90	\$194.11	\$92.91	\$75.07	\$11.18	\$3.50	\$25.4								
		Additional 4-Wire 64Kbps Digital Grade Loopin same DS1 Interoffice Transport Combination - Zone 2		2	UNC1X	UDL64	\$44.72	\$194.11	\$92.91	\$75.07	\$11.18	\$3.50	\$25.4								
		Additional 4-Wire 64Kbps Digital Grade Loopin same DS1 Interoffice Transport Combination - Zone 3		3	UNC1X	UDL64	\$50.85	\$194.11	\$92.91	\$75.07	\$11.18	\$3.50	\$25.4								
		OCU-DP COCI (data) - DS1 to DS0 Channel System combination - per month (2.4-64kbs)			UNC1X	1D1DD	\$2.20	\$12.16	\$8.77												
		Nonrecurring Currently Combined Network Elements Switch -As-Is Charge			UNC1X	UNCCC		\$12.97	\$11.27	\$12.61	\$12.61	\$3.50	\$25.4								
		4-WIRE DS1 DIGITAL EXTENDED LOOP WITH DEDICATED DS1 INTEROFFICE TRANSPORT (EEL)																			
		4-Wire DS1 Digital Loop in Combination with DS1 Interoffice Transport - Zone 1		1	UNC1X	USLXX	\$92.48	\$348.66	\$207.86	\$82.21	\$25.61	\$3.50	\$25.4								
		4-Wire DS1 Digital Loop in Combination with DS1 Interoffice Transport - Zone 2		2	UNC1X	USLXX	\$119.62	\$348.66	\$207.86	\$82.21	\$25.61	\$3.50	\$25.4								
		4-Wire DS1 Digital Loop in Combination with DS1 Interoffice Transport - Zone 3		3	UNC1X	USLXX	\$194.70	\$348.66	\$207.86	\$82.21	\$25.61	\$3.50	\$25.4								
		Interoffice Transport - Dedicated - DS1 combination - Per Mile Per Month			UNC1X	1L5XX	\$0.2														
		Interoffice Transport - Dedicated - DS1 combination - Facility Termination Per Month			UNC1X	U1TF1	\$92.62	\$295.90	\$214.01	\$72.12	\$31.80	\$3.50	\$25.4								
		Nonrecurring Currently Combined Network Elements Switch -As-Is Charge			UNC1X	UNCCC		\$12.97	\$11.27	\$12.61	\$12.61	\$3.50	\$25.4								
		4-WIRE DS1 DIGITAL EXTENDED LOOP WITH DEDICATED DS3 INTEROFFICE TRANSPORT (EEL)																			
		First DS1 Loop in DS3 Interoffice Transport Combination - Zone 1		1	UNC1X	USLXX	\$92.48	\$348.66	\$207.86	\$82.21	\$25.61	\$3.50	\$25.4								
		First DS1 Loop in DS3 Interoffice Transport Combination - Zone 2		2	UNC1X	USLXX	\$119.62	\$348.66	\$207.86	\$82.21	\$25.61	\$3.50	\$25.4								

BELLSOUTH / METROMEDIA FIBER NETWORK SERVICES RATES
Unbundled Network Elements
FLORIDA

CATEGORY	NOTES	UNBUNDLED NETWORK ELEMENT	Interim	Zone	BCS	USOC	RATES					OSS RATES									
							Rec	First	Add'l	First	Add'l	Svc Order Submitted Elec per LSR	Svc Order Submitted Manually per LSR	Incremental Charge - Manual Svc Order vs. Electronic-1st	Incremental Charge - Manual Svc Order vs. Electronic-Add'l	Incremental Charge - Manual Svc Order vs. Electronic-Disc 1st	Incremental Charge - Manual Svc Order vs. Electronic-Disc Add'l				
																		Nonrecurring		Nonrecurring	
																		Disconnect		Disconnect	
SOMEK	SOMAN	SOMAN	SOMAN	SOMAN	SOMAN																
		First DS1Loop in DS3 Interoffice Transport Combination - Zone 3		3	UNC1X	USLXX	\$194.70	\$348.66	\$207.86	\$82.21	\$25.61	\$3.50	\$25.4								
		Interoffice Transport - Dedicated - DS3 combination - Per Mile Per Month			UNC3X	1L5XX	\$4.17														
		Interoffice Transport - Dedicated - DS3 - Facility Termination per month			UNC3X	U1TF3	\$1,121.93	\$507.49	\$221.03	\$54.07	\$28.12	\$3.50	\$25.4								
		DS3 to DS1 Channel System combination per month			UNC3X	MQ3	\$220.97	\$324.32	\$127.61	\$29.87	\$15.31										
		DS3 Interface Unit (DS1 COC) combination per month			UNC1X	UC1D1	\$14.40	\$12.16	\$8.77												
		Additional DS1Loop in DS3 Interoffice Transport Combination - Zone 1		1	UNC1X	USLXX	\$92.48	\$348.66	\$207.86	\$82.21	\$25.61	\$3.50	\$25.4								
		Additional DS1Loop in DS3 Interoffice Transport Combination - Zone 2		2	UNC1X	USLXX	\$119.62	\$348.66	\$207.86	\$82.21	\$25.61	\$3.50	\$25.4								
		Additional DS1Loop in DS3 Interoffice Transport Combination - Zone 3		3	UNC1X	USLXX	\$194.70	\$348.66	\$207.86	\$82.21	\$25.61	\$3.50	\$25.4								
		DS3 Interface Unit (DS1 COC) combination per month			UNC1X	UC1D1	\$14.40	\$12.16	\$8.77												
		Nonrecurring Currently Combined Network Elements Switch -As-Is Charge			UNC3X	UNCCC		\$12.97	\$11.27	\$12.61	\$12.61	\$3.50	\$25.4								
		2-WIRE VOICE GRADE EXTENDED LOOP/ 2 WIRE VOICE GRADE INTEROFFICE TRANSPORT (EEL)																			
		2-WireVG Loop used with 2-wire VG Interoffice Transport Combination - Zone 1		1	UNCVX	UEAL2	\$18.48	\$194.11	\$92.91	\$75.07	\$11.18										
		2-WireVG Loop used with 2-wire VG Interoffice Transport Combination - Zone 2		2	UNCVX	UEAL2	\$22.43	\$194.11	\$92.91	\$75.07	\$11.18										
		2-WireVG Loop used with 2-wire VG Interoffice Transport Combination - Zone 3		3	UNCVX	UEAL2	\$27.87	\$194.11	\$92.91	\$75.07	\$11.18										
		Interoffice Transport - Dedicated - 2-wire VG combination - Per Mile Per Month			UNCVX	1L5XX	\$0.0098														
		Interoffice Transport - Dedicated - 2-Wire Voice Grade combination - Facility Termination per month			UNCVX	U1TV2	\$26.52	\$149.56	\$86.00	\$71.35	\$31.91	\$3.5	\$25.40								
		Nonrecurring Currently Combined Network Elements Switch -As-Is Charge			UNCVX	UNCCC		\$12.97	\$11.27	\$12.61	\$12.61	\$3.50	\$25.4								
		4-WIRE VOICE GRADE EXTENDED LOOP/ 4 WIRE VOICE GRADE INTEROFFICE TRANSPORT (EEL)																			
		4-WireVG Loop used with 4-wire VG Interoffice Transport Combination - Zone 1		1	UNCVX	UEAL4	\$30.2	\$194.11	\$92.91	\$75.07	\$11.18										
		4-WireVG Loop used with 4-wire VG Interoffice Transport Combination - Zone 2		2	UNCVX	UEAL4	\$43.01	\$194.11	\$92.91	\$75.07	\$11.18	\$0.0	\$0.0								
		4-WireVG Loop used with 4-wire VG Interoffice Transport Combination - Zone 3		3	UNCVX	UEAL4	\$64.2	\$194.11	\$92.91	\$75.07	\$11.18	\$0.0	\$0.0								
		Interoffice Transport - Dedicated - 4-wire VG combination - Per Mile Per Month			UNCVX	1L5XX	\$0.0098														
		Interoffice Transport - Dedicated - 4-Wire Voice Grade combination - Facility Termination per month			UNCVX	U1TV4	\$23.84	\$149.56	\$86.00	\$71.36	\$31.91	\$3.5	\$25.40								
		Nonrecurring Currently Combined Network Elements Switch -As-Is Charge			UNCVX	UNCCC		\$12.97	\$11.27	\$12.61	\$12.61	\$3.50	\$25.4								
		DS3 DIGITAL EXTENDED LOOP WITH DEDICATED DS3 INTEROFFICE TRANSPORT (EEL)																			
		High Capacity Unbundled Local Loop - DS3 combination - Per Mile per month			UNC3X	1L5ND	\$11.77														
		High Capacity Unbundled Local Loop - DS3 combination - Facility Termination per month			UNC3X	UE3PX	\$404.58	\$767.81	\$545.54												
		Interoffice Transport - Dedicated - DS3 - Per Mile per month			UNC3X	1L5XX	\$4.17														
		Interoffice Transport - Dedicated - DS3 combination - Facility Termination per month			UNC3X	U1TF3	\$1,121.93	\$507.49	\$221.03	\$54.07	\$28.12	\$3.5	\$25.40								
		Nonrecurring Currently Combined Network Elements Switch -As-Is Charge			UNC3X	UNCCC		\$12.97	\$11.27	\$12.61	\$12.61	\$3.50	\$25.4								
		STS1 DIGITAL EXTENDED LOOP WITH DEDICATED STS1 INTEROFFICE TRANSPORT (EEL)																			
		High Capacity Unbundled Local Loop - STS1 combination - Per Mile per month			UNCSX	1L5ND	\$11.00														
		High Capacity Unbundled Local Loop - STS1 combination - Facility Termination per month			UNCSX	UDLS1	\$446.09	\$761.81	\$545.54												

BELLSOUTH / METROMEDIA FIBER NETWORK SERVICES RATES
Unbundled Network Elements
FLORIDA

CATEGORY	NOTES	UNBUNDLED NETWORK ELEMENT	Interim	Zone	BCS	USOC	RATES				OSS RATES										
							Rec	First	Add'l	First	Add'l	SOMEK	SOMAN	SOMAN	SOMAN	SOMAN	SOMAN				
																		Nonrecurring		Nonrecurring	
																		Disconnect		Disconnect	
Svc Order Submitted Elec per LSR	Svc Order Submitted Manually per LSR	Incremental Charge - Manual Svc Order vs. Electronic-1st	Incremental Charge - Manual Svc Order vs. Electronic-Add'l	Incremental Charge - Manual Svc Order vs. Electronic-Disc 1st	Incremental Charge - Manual Svc Order vs. Electronic-Disc Add'l																
		Interoffice Transport - Dedicated - STS1 combination - Per Mile per month			UNCSX	1L5XX	\$4.17														
		Interoffice Transport - Dedicated - STS1 combination - Facility Termination per month			UNCSX	U1TFS	\$1,105.98	\$611.26	\$249.61	\$66.32	\$36.47	\$3.5	\$25.40								
		Nonrecurring Currently Combined Network Elements Switch -As-Is Charge			UNCSX	UNC1X		\$12.97	\$11.27	\$12.61	\$12.61	\$3.50	\$25.4								
		2-WIRE ISDN EXTENDED LOOP WITH DS1 INTEROFFICE TRANSPORT (EEL)																			
		First 2-Wire ISDN Loop/DS1 Interoffice Combination Transport - Zone 1		1	UNCNX	U1L2X	\$28.33	\$194.11	\$92.91	\$75.07	\$11.18	\$3.5	\$25.40								
		First 2-Wire ISDN Loop/DS1 Interoffice Combination Transport - Zone 2		2	UNCNX	U1L2X	\$34.45	\$194.11	\$92.91	\$75.07	\$11.18	\$3.50	\$25.40								
		First 2-Wire ISDN Loop/DS1 Interoffice Combination Transport - Zone 3		3	UNCNX	U1L2X	\$135.62	\$194.11	\$92.91	\$75.07	\$11.18	\$3.50	\$25.40								
		Interoffice Transport - Dedicated - DS1 combination - Per Mile			UNC1X	1L5XX	\$0.2														
		Interoffice Transport - Dedicated - DS1 combination - Facility Termination per month			UNC1X	U1TF1	\$92.62	\$295.9	\$214.01	\$72.12	\$31.8	\$3.5	\$25.40								
		Channelization - Channel System DS1 to DS0 combination - per month			UNC1X	MQ1	\$153.6	\$123.46	\$26.7	\$3.13	\$2.82										
		2-wire ISDN COCI (BRITE) - DS1 to DS0 Channel System combination - per month			UNCNX	UC1CA	\$3.83	\$12.16	\$8.77												
		Additional 2-wire ISDN Loop in same DS1Interoffice Transport Combination - Zone 1		1	UNCNX	U1L2X	\$28.33	\$194.11	\$92.91	\$75.07	\$11.18	\$3.50	\$25.40								
		Additional 2-wire ISDN Loop in same DS1Interoffice Transport Combination - Zone 2		2	UNCNX	U1L2X	\$34.45	\$194.11	\$92.91	\$75.07	\$11.18	\$3.50	\$25.40								
		Additional 2-wire ISDN Loop in same DS1Interoffice Transport Combination - Zone 3		3	UNCNX	U1L2X	\$135.62	\$194.11	\$92.91	\$75.07	\$11.18	\$3.50	\$25.40								
		2-wire ISDN COCI (BRITE) - DS1 to DS0 Channel System combination - per month			UNCNX	UC1CA	\$3.83	\$12.16	\$8.77												
		Nonrecurring Currently Combined Network Elements Switch -As-Is Charge			UNC1X	UNC1X		\$12.97	\$11.27	\$12.61	\$12.61	\$3.50	\$25.4								
		4-WIRE DS1 DIGITAL EXTENDED LOOP WITH DEDICATED STS-1 INTEROFFICE TRANSPORT (EEL)																			
		First DS1 Loop in STS1 Interoffice Transport Combination - Zone 1		1	UNC1X	USLXX	\$92.48	\$348.66	\$207.86	\$82.21	\$25.61	\$3.5	\$25.40								
		First DS1 Loop in STS1 Interoffice Transport Combination - Zone 2		2	UNC1X	USLXX	\$119.68	\$348.66	\$207.86	\$82.21	\$25.61	\$3.50	\$25.40								
		First DS1 Loop in STS1 Interoffice Transport Combination - Zone 3		3	UNC1X	USLXX	\$194.000	\$348.66	\$207.86	\$82.21	\$25.61	\$3.50	\$25.40								
		Interoffice Transport - Dedicated - STS1 combination - Per Mile Per Month			UNCSX	1L5XX	\$4.17														
		Interoffice Transport - Dedicated - STS1 combination - Facility Termination			UNCSX	U1TFS	\$1,105.08	\$611.28	\$249.61	\$66.32	\$36.47	\$3.5	\$25.40								
		STS1 to DS1 Channel System combination per month			UNCSX	MQ3	\$220.97	\$220.53	\$99.03	\$17.62	\$6.93										
		DS3 Interface Unit (DS1 COCI) combination per month			UNC1X	UC1D1	\$14.40	\$12.16	\$8.77												
		Additional DS1Loop in STS1 Interoffice Transport Combination - Zone 1		1	UNC1X	USLXX	\$92.48	\$348.66	\$207.86	\$82.21	\$25.61	\$3.50	\$25.40								
		Additional DS1Loop in STS1 Interoffice Transport Combination - Zone 2		2	UNC1X	USLXX	\$119.68	\$348.66	\$207.86	\$82.21	\$25.61	\$3.50	\$25.40								
		Additional DS1Loop in STS1 Interoffice Transport Combination - Zone 3		3	UNC1X	USLXX	\$194.000	\$348.66	\$207.86	\$82.21	\$25.61	\$3.50	\$25.40								
		DS3 Interface Unit (DS1 COCI) combination per month			UNC1X	UC1D1	\$14.40	\$12.16	\$8.77												
		Nonrecurring Currently Combined Network Elements Switch -As-Is Charge			UNCSX	UNC1X		\$12.97	\$11.27	\$12.61	\$12.61	\$3.50	\$25.4								
		4-WIRE 56 KBPS DIGITAL EXTENDED LOOP WITH 56 KBPS INTEROFFICE TRANSPORT (EEL)																			
		4-wire 56 kbps Loop/4-wire 56 kbps Interoffice Transport Combination - Zone 1		1	UNC1X	UDL56	\$39.08	\$194.11	\$92.91	\$75.07	\$11.18										
		4-wire 56 kbps Loop/4-wire 56 kbps Interoffice Transport Combination - Zone 2		2	UNC1X	UDL56	\$44.72	\$194.11	\$92.91	\$75.07	\$11.18										
		4-wire 56 kbps Loop/4-wire 56 kbps Interoffice Transport Combination - Zone 3		3	UNC1X	UDL56	\$50.85	\$194.11	\$92.91	\$75.07	\$11.18										
		Interoffice Transport - Dedicated - 4-wire 56 kbps combination - Per Mile			UNC1X	1L5XX	\$0.0098														

BELLSOUTH / METROMEDIA FIBER NETWORK SERVICES RATES
Unbundled Network Elements
FLORIDA

CATEGORY	NOTES	UNBUNDLED NETWORK ELEMENT	Interim	Zone	BCS	USOC	RATES					OSS RATES									
							Rec	First	Add'l	First	Add'l	Svc Order Submitted Elec per LSR	Svc Order Submitted Manually per LSR	Incremental Charge - Manual Svc Order vs. Electronic-1st	Incremental Charge - Manual Svc Order vs. Electronic-Add'l	Incremental Charge - Manual Svc Order vs. Electronic-Disc 1st	Incremental Charge - Manual Svc Order vs. Electronic-Disc Add'l				
																		Nonrecurring		Nonrecurring	
																		Disconnect		Disconnect	
SOME	SOMAN	SOMAN	SOMAN	SOMAN	SOMAN																
		Interoffice Transport - Dedicated - 4-wire 56 kbps combination - Facility Termination			UNCDX	U1TD5	\$19.31	\$149.56	\$86.00	\$71.36	\$31.91	\$3.50	\$25.40								
		Nonrecurring Currently Combined Network Elements Switch -As-Is Charge			UNCDX	UNCCC		\$12.97	\$11.27	\$12.61	\$12.61	\$3.50	\$25.4								
4-WIRE 64 KBPS DIGITAL EXTENDED LOOP WITH 64 KBPS INTEROFFICE TRANSPORT (EEL)																					
		4-wire 64 kbps Loop/4-wire 64 kbps Interoffice Transport Combination - Zone 1		1	UNCDX	UDL64	\$39.08	\$194.11	\$92.91	\$75.07	\$11.18										
		4-wire 64 kbps Loop/4-wire 64 kbps Interoffice Transport Combination - Zone 2		2	UNCDX	UDL64	\$44.72	\$194.11	\$92.91	\$75.07	\$11.18										
		4-wire 64 kbps Loop/4-wire 64 kbps Interoffice Transport Combination - Zone 3		3	UNCDX	UDL64	\$50.85	\$194.11	\$92.91	\$75.07	\$11.18										
		Interoffice Transport - Dedicated - 4-wire 64 kbps combination - Per Mile			UNCDX	1L5XX	\$0.0098														
		Interoffice Transport - Dedicated - 4-wire 64 kbps combination - Facility Termination			UNCDX	U1TD6	\$19.31	\$149.56	\$86.00	\$71.35	\$31.91	\$3.50	\$25.40								
		Nonrecurring Currently Combined Network Elements Switch -As-Is Charge			UNCDX	UNCCC		\$12.97	\$11.27	\$12.61	\$12.61	\$3.50	\$25.4								
ADDITIONAL NETWORK ELEMENTS																					
		When used as a part of a currently combined facility, the non-recurring charges do not apply, but a Switch As Is charge does apply.																			
		When used as ordinarily combined network elements in Georgia, the non-recurring charges apply and the Switch As Is Charge does not.																			
		Node (SynchroNet)																			
		Node per month			UNCDX	UNCNT	\$16.35														
		Nonrecurring Currently Combined Network Elements "Switch As Is" Charge (One applies to each combination)																			
		2/4-Wire VG Interoffice Channel used in a COMBINATION - "Switch As Is" Conversion Charge			UNCVX	UNCCC		\$12.97	\$11.27	\$12.61	\$12.61	\$3.50	\$25.4								
		56/64 kbps Interoffice Channel used in a COMBINATION - "Switch As Is" Conversion Charge			UNCDX	UNCCC		\$12.97	\$11.27	\$12.61	\$12.61	\$3.50	\$25.4								
		DS1 Interoffice Channel used in a COMBINATION - "Switch As Is" Conversion Charge			UNC1X	UNCCC		\$12.97	\$11.27	\$12.61	\$12.61	\$3.50	\$25.4								
		DS3 Interoffice Channel used in a COMBINATION - "Switch As Is" Conversion Charge			UNC3X	UNCCC		\$12.97	\$11.27	\$12.61	\$12.61	\$3.50	\$25.4								
		STS1 Interoffice or Local Loop used in a COMBINATION - "Switch As Is" Conversion Charge			UNCSX	UNCCC		\$12.97	\$11.27	\$12.61	\$12.61	\$3.50	\$25.4								
		NOTE: Local Channel - Dedicated Transport - minimum billing period - Below DS3=one month, DS3 and above=four months																			
		Local Channel - Dedicated - 2-Wire Voice Grade Zone 1		1	UNCVX	ULDV2	\$29.33														
		Local Channel - Dedicated - 2-Wire Voice Grade Zone 2		2	UNCVX	ULDV2	\$35.02														
		Local Channel - Dedicated - 4-Wire Voice Grade Zone 1		1	UNCVX	ULDV4	\$30.5														
		Local Channel - Dedicated - 4-Wire Voice Grade Zone 2		2	UNCVX	ULDV4	\$36.18														
		Local Channel - Dedicated - DS1 per month Zone 1		1	UNC1X	ULDF1	\$43.53														
		Local Channel - Dedicated - DS1 Per Month Zone 2		2	UNC1X	ULDF1	\$58.19														
		Local Channel - Dedicated - DS1- Per Month Zone 3		3	UNC1X	ULDF1	\$108.24														
		Local Channel - Dedicated - DS3 - Per Mile per month			UNC3X	1L5NC	\$9.16														
		Local Channel - Dedicated - DS3 - Facility Termination per month			UNC3X	ULDF3	\$556.27														
		Local Channel - Dedicated - STS-1 - Per Mile per month			UNCSX	1L5NC	\$9.16														
		Local Channel - Dedicated - STS-1 - Facility Termination per month			UNCSX	ULDFS	\$565.48														

BELLSOUTH / METROMEDIA FIBER NETWORK SERVICES RATES
Unbundled Network Elements
GEORGIA

CATEGORY	NOTES	UNBUNDLED NETWORK ELEMENT	Interim	Zone	BCS	USOC	RATES					OSS RATES							
							Rec	First	Add'l	First	Add'l	Svc Order Submitted Elec per LSR	Svc Order Submitted Manually per LSR	Incremental Charge - Manual Svc Order vs. Electronic-1st	Incremental Charge - Manual Svc Order vs. Electronic-Add'l	Incremental Charge - Manual Svc Order vs. Electronic-Disc 1st	Incremental Charge - Manual Svc Order vs. Electronic-Disc Add'l		
																		Nonrecurring	
																		Disconnect	
SOMEK	SOMAN	SOMAN	SOMAN	SOMAN	SOMAN														
Geographically Deaveraged UNE Zones and applicable rates have been established for certain services, as shown in this Agreement. Where Geographically Deaveraged UNE Zones and applicable rates are established, Statewide rates are obsolete. Further, BellSouth is in the process of enhancing its billing systems in order to accommodate this Geographically Deaveraged UNE Zone Rate Structure. Until these enhancements are accomplished, estimated to be mid 2001, the UNE Zone 1 rate will be billed for all services residing in Zones 1, 2, 3 or 4, i.e., Rates for services residing in UNE Zones 2, 3 and UNE Zone 4, where applicable, will not be billed. Once billing enhancements are complete, all applicable UNE Zone rates reflected in this Agreement will be billed. Reference Internet Website http://www.interconnection.bellsouth.com/become_clec/docs/interconnection/deavuzns.pdf to view Geographically Deaveraged UNE Zone Designations by Central Office.																			
UNBUNDLED EXCHANGE ACCESS LOOP																			
2-WIRE ANALOG VOICE GRADE LOOP																			
		2-Wire Analog Voice Grade Loop - Service Level 1- Zone 1		1	UEANL	UEAL2	\$14.21	\$42.54	\$31.33			\$3.50	\$18.94	\$8.42					
		2-Wire Analog Voice Grade Loop - Service Level 1- Zone 2		2	UEANL	UEAL2	\$16.41	\$42.54	\$31.33			\$3.50	\$18.94	\$8.42					
		2-Wire Analog Voice Grade Loop - Service Level 1- Zone 3		3	UEANL	UEAL2	\$26.08	\$42.54	\$31.33			\$3.50	\$18.94	\$8.42					
		Engineering Information Document (EI)			UEANL			\$28.72	\$28.72										
		Manual Order Coordination for UVL-SL1s (per loop)*			UEANL	UEAMC		\$36.46	\$36.46										
		Order Coordination for Specified Conversion Time for UVL-SL1 (per LSR) *			UEANL	OCOSL		\$34.22	\$34.22										
		2-Wire Analog Voice Grade Loop - Service Level 2 w/Loop or Ground Start Signaling - Zone 1		1	UEA	UEAL2	\$16.84	\$104.17	\$78.10			\$3.50	\$18.94	\$8.42					
		2-Wire Analog Voice Grade Loop - Service Level 2 w/Loop or Ground Start Signaling - Zone 2		2	UEA	UEAL2	\$19.45	\$104.17	\$78.10			\$3.50	\$18.94	\$8.42					
		2-Wire Analog Voice Grade Loop - Service Level 2 w/Loop or Ground Start Signaling - Zone 3		3	UEA	UEAL2	\$30.92	\$104.17	\$78.10			\$3.50	\$18.94	\$8.42					
		Order Coordination for Specified Conversion Time (per LSR)			UEA	OCOSL		\$34.22											
		2-Wire Analog Voice Grade Loop - Service Level 2 w/Reverse Battery Signaling - Zone 1		1	UEA	UEAR2	\$16.84	\$104.17	\$78.10			\$3.50	\$18.94	\$8.42					
		2-Wire Analog Voice Grade Loop - Service Level 2 w/Reverse Battery Signaling - Zone 2		2	UEA	UEAR2	\$19.45	\$104.17	\$78.10			\$3.50	\$18.94	\$8.42					
		2-Wire Analog Voice Grade Loop - Service Level 2 w/Reverse Battery Signaling - Zone 3		3	UEA	UEAR2	\$30.92	\$104.17	\$78.10			\$3.50	\$18.94	\$8.42					
		Order Coordination for Specified Conversion Time (per LSR)			UEA	OCOSL		\$34.22											
4-WIRE ANALOG VOICE GRADE LOOP																			
		4-Wire Analog Voice Grade Loop - Zone 1		1	UEA	UEAL4	\$22.26	\$206.95	\$170.57			\$3.50	\$18.94	\$8.42					
		4-Wire Analog Voice Grade Loop - Zone 2		2	UEA	UEAL4	\$25.70	\$206.95	\$170.57			\$3.50	\$18.94	\$8.42					
		4-Wire Analog Voice Grade Loop - Zone 3		3	UEA	UEAL4	\$40.86	\$206.95	\$170.57			\$3.50	\$18.94	\$8.42					
		Order Coordination for Specified Conversion Time (per LSR)			UEA	OCOSL		\$34.22											
2-WIRE ISDN DIGITAL GRADE LOOP																			
		2-Wire ISDN Digital Grade Loop - Zone 1		1	UDN	U1L2X	\$21.89	\$233.38	\$180.35			\$3.50	\$18.94	\$8.42					
		2-Wire ISDN Digital Grade Loop - Zone 2		2	UDN	U1L2X	\$25.27	\$233.38	\$180.35			\$3.50	\$18.94	\$8.42					
		2-Wire ISDN Digital Grade Loop - Zone 3		3	UDN	U1L2X	\$40.17	\$233.38	\$180.35			\$3.50	\$18.94	\$8.42					
		Order Coordination For Specified Conversion Time (per LSR)			UDN	OCOSL		\$34.22											
2-WIRE Universal Digital Channel (UDC) COMPATIBLE LOOP																			
		2-Wire Universal Digital Channel (UDC) Compatible Loop - Zone 1		1	UDC	UDC2X	\$16.84	\$104.17	\$78.1			\$3.50	\$18.94	\$8.42					
		2-Wire Universal Digital Channel (UDC) Compatible Loop - Zone 2		2	UDC	UDC2X	\$19.45	\$104.17	\$78.1			\$3.50	\$18.94	\$8.42					
		2-Wire Universal Digital Channel (UDC) Compatible Loop - Zone 3		3	UDC	UDC2X	\$30.92	\$104.17	\$78.1			\$3.50	\$18.94	\$8.42					
2-WIRE ASYMMETRICAL DIGITAL SUBSCRIBER LINE (ADSL) COMPATIBLE LOOP																			
		2 Wire Unbundled ADSL Loop including manual service inquiry & facility reservation - Zone 1		1	UAL	UAL2X	\$11.23	\$281.87	\$163.58	\$115.19	\$21.44	\$3.50	\$19.99						
		2 Wire Unbundled ADSL Loop including manual service inquiry & facility reservation - Zone 2		2	UAL	UAL2X	\$12.97	\$281.87	\$163.58	\$115.19	\$21.44	\$3.50	\$19.99						
		2 Wire Unbundled ADSL Loop including manual service inquiry & facility reservation - Zone 3		3	UAL	UAL2X	\$20.62	\$281.87	\$163.58	\$115.19	\$21.44	\$3.50	\$19.99						
		Order Coordination for Specified Conversion Time (per LSR)			UAL	OCOSL		\$34.22											

BELLSOUTH / METROMEDIA FIBER NETWORK SERVICES RATES
Unbundled Network Elements
GEORGIA

CATEGORY	NOTES	UNBUNDLED NETWORK ELEMENT	Interim	Zone	BCS	USOC	RATES					OSS RATES															
							Rec	First	Add'l	First	Add'l	SOMEK	SOMAN	SOMAN	SOMAN	SOMAN	SOMAN										
																		Nonrecurring		Nonrecurring		Svc Order Submitted Elec per LSR	Svc Order Submitted Manually per LSR	Incremental Charge - Manual Svc Order vs. Electronic-1st	Incremental Charge - Manual Svc Order vs. Electronic-Add'l	Incremental Charge - Manual Svc Order vs. Electronic-Disc 1st	Incremental Charge - Manual Svc Order vs. Electronic-Disc Add'l
																		Disconnect									
		2 Wire Unbundled ADSL Loop without manual service inquiry & facility reservation - Zone 1	I	1	UAL	UAL2W	\$11.23	\$104.17	\$78.10	\$97.18	\$15.99	\$3.50		\$18.94	\$8.42												
		2 Wire Unbundled ADSL Loop without manual service inquiry & facility reservation - Zone 2	I	2	UAL	UAL2W	\$12.97	\$104.17	\$78.10	\$97.18	\$15.99	\$3.50		\$18.94	\$8.42												
		2 Wire Unbundled ADSL Loop without manual service inquiry & facility reservation - Zone 3	I	3	UAL	UAL2W	\$20.62	\$104.17	\$78.10	\$97.18	\$15.99	\$3.50		\$18.94	\$8.42												
		Order Coordination for Specified Conversion Time (per LSR)			UAL	OCOSL		\$34.22																			
		2-WIRE HIGH BIT RATE DIGITAL SUBSCRIBER LINE (HDSL) COMPATIBLE LOOP																									
		2-WIRE HIGH BIT RATE DIGITAL SUBSCRIBER LINE (HDSL) COMPATIBLE LOOP																									
		2 Wire Unbundled HDSL Loop including manual service inquiry & facility reservation - Zone 1		1	UHL	UHL2X	\$7.88	\$298.99	\$180.70	\$115.19	\$21.44	\$3.50	\$19.99														
		2 Wire Unbundled HDSL Loop including manual service inquiry & facility reservation - Zone 2		2	UHL	UHL2X	\$9.09	\$298.99	\$180.70	\$115.19	\$21.44	\$3.50	\$19.99														
		2 Wire Unbundled HDSL Loop including manual service inquiry & facility reservation - Zone 3		3	UHL	UHL2X	\$14.46	\$298.99	\$180.70	\$115.19	\$21.44	\$3.50	\$19.99														
		Order Coordination for Specified Conversion Time			UHL	OCOSL		\$34.22																			
		2 Wire Unbundled HDSL Loop without manual service inquiry and facility reservation - Zone 1	I	1	UHL	UHL2W	\$7.88	\$104.17	\$78.10			\$3.50		\$18.94	\$8.42												
		2 Wire Unbundled HDSL Loop without manual service inquiry and facility reservation - Zone 2	I	2	UHL	UHL2W	\$9.09	\$104.17	\$78.10			\$3.50		\$18.94	\$8.42												
		2 Wire Unbundled HDSL Loop without manual service inquiry and facility reservation - Zone 3	I	3	UHL	UHL2W	\$14.48	\$104.17	\$78.10			\$3.50		\$18.94	\$8.42												
		Order Coordination for Specified Conversion Time			UHL	OCOSL		\$34.22																			
		4-WIRE HIGH BIT RATE DIGITAL SUBSCRIBER LINE (HDSL) COMPATIBLE LOOP																									
		4 Wire Unbundled HDSL Loop including manual service inquiry and facility reservation - Zone 1	I	1	UHL	UHL4X	\$10.39	\$355.50	\$237.21	\$121.27	\$25.61	\$3.50	\$19.99														
		4-Wire Unbundled HDSL Loop including manual service inquiry and facility reservation - Zone 2		2	UHL	UHL4X	\$12.00	\$355.50	\$237.21	\$121.27	\$25.61	\$3.50															
		4-Wire Unbundled HDSL Loop including manual service inquiry and facility reservation - Zone 3	I	3	UHL	UHL4X	\$19.07	\$355.50	\$237.21	\$121.27	\$25.61	\$3.50	\$19.99														
		Order Coordination for Specified Conversion Time			UHL	OCOSL		\$34.22																			
		4-Wire Unbundled HDSL Loop without manual service inquiry and facility reservation - Zone 1	I	1	UHL	UHL4W	\$10.39	\$104.17	\$78.10			\$3.50		\$18.94	\$8.42												
		4-Wire Unbundled HDSL Loop without manual service inquiry and facility reservation - Zone 2	I	2	UHL	UHL4W	\$12.00	\$104.17	\$78.10			\$3.50		\$18.94	\$8.42												
		4-Wire Unbundled HDSL Loop without manual service inquiry and facility reservation - Zone 3	I	3	UHL	UHL4W	\$19.07	\$104.17	\$78.10			\$3.50		\$18.94	\$8.42												
		Order Coordination for Specified Conversion Time			UHL	OCOSL		\$34.22																			
		4-WIRE DS1 DIGITAL LOOP																									
		4-Wire DS1 Digital Loop - Zone 1		1	USL	USLXX	\$55.53	\$429.98	\$268.18			\$3.50		\$18.94	\$8.42												
		4-Wire DS1 Digital Loop - Zone 2		2	USL	USLXX	\$64.13	\$429.98	\$268.18			\$3.50		\$18.94	\$8.42												
		4-Wire DS1 Digital Loop - Zone 3		3	USL	USLXX	\$101.93	\$429.98	\$268.18			\$3.50		\$18.94	\$8.42												
		Order Coordination for Specified Conversion Time			USL	OCOSL		\$34.52																			
		4-WIRE 19.2, 56 OR 64 KBPS DIGITAL GRADE LOOP																									
		4 Wire Unbundled Digital 19.2 Kbps		1	UDL	UDL19	\$25.75	\$348.55	\$241.20			\$3.50		\$18.94	\$8.42												
		4 Wire Unbundled Digital 19.2 Kbps		2	UDL	UDL19	\$29.74	\$348.55	\$241.20			\$3.50		\$18.94	\$8.42												
		4 Wire Unbundled Digital 19.2 Kbps		3	UDL	UDL19	\$47.27	\$348.55	\$241.20			\$3.50		\$18.94	\$8.42												
		4 Wire Unbundled Digital Loop 56 Kbps - Zone 1		1	UDL	UDL56	\$25.75	\$348.55	\$241.20			\$3.50		\$18.94	\$8.42												
		4 Wire Unbundled Digital Loop 56 Kbps - Zone 2		2	UDL	UDL56	\$29.74	\$348.55	\$241.20			\$3.50		\$18.94	\$8.42												
		4 Wire Unbundled Digital Loop 56 Kbps - Zone 3		3	UDL	UDL56	\$47.27	\$348.55	\$241.20			\$3.50		\$18.94	\$8.42												
		Order Coordination for Specified Conversion Time			UDL	OCOSL		\$34.22																			
		4 Wire Unbundled Digital Loop 64 Kbps - Zone 1		1	UDL	UDL64	\$25.75	\$348.55	\$241.20			\$3.50		\$18.94	\$8.42												
		4 Wire Unbundled Digital Loop 64 Kbps - Zone 2		2	UDL	UDL64	\$29.74	\$348.55	\$241.20			\$3.50		\$18.94	\$8.42												
		4 Wire Unbundled Digital Loop 64 Kbps - Zone 3		3	UDL	UDL64	\$47.27	\$348.55	\$241.20			\$3.50		\$18.94	\$8.42												
		Order Coordination for Specified Conversion Time			UDL	OCOSL		\$34.22																			
		2-WIRE Unbundled COPPER LOOP																									

BELLSOUTH / METROMEDIA FIBER NETWORK SERVICES RATES
Unbundled Network Elements
GEORGIA

CATEGORY	NOTES	UNBUNDLED NETWORK ELEMENT	Interim	Zone	BCS	USOC	RATES					OSS RATES							
							Rec	First	Add'l	First	Add'l	Svc Order Submitted Elec per LSR	Svc Order Submitted Manually per LSR	Incremental Charge - Manual Svc Order vs. Electronic-1st	Incremental Charge - Manual Svc Order vs. Electronic-Add'l	Incremental Charge - Manual Svc Order vs. Electronic-Disc 1st	Incremental Charge - Manual Svc Order vs. Electronic-Disc Add'l		
																		Nonrecurring	Nonrecurring
																		Disconnect	
SOMECS	SOMAN	SOMAN	SOMAN	SOMAN	SOMAN														
		2-Wire Unbundled Copper Loop/Short including manual service inquiry & facility reservation - Zone 1		1	UCL	UCLPB	\$11.90	\$280.03	\$161.74	\$115.19	\$21.44	\$3.50	\$19.99						
		2-Wire Unbundled Copper Loop/Short including manual service inquiry & facility reservation - Zone 2		2	UCL	UCLPB	\$13.74	\$280.03	\$161.74	\$115.19	\$21.44	\$3.50	\$19.99						
		2 Wire Unbundled Copper Loop/Short including manual service inquiry & facility reservation - Zone 3		3	UCL	UCLPB	\$21.83	\$280.03	\$161.74	\$115.19	\$21.44	\$3.50	\$19.99						
		Order Coordination for Unbundled Copper Loops (per loop)			UCL	UCLMC		\$36.46	\$36.46										
		2-Wire Unbundled Copper Loop/Short without manual service inquiry and facility reservation - Zone 1	I	1	UCL	UCLPW	\$11.90	\$104.17	\$78.1			\$3.50		\$18.94	\$8.42				
		2-Wire Unbundled Copper Loop/Short without manual service inquiry and facility reservation - Zone 2	I	2	UCL	UCLPW	\$13.74	\$104.17	\$78.1			\$3.50		\$18.94	\$8.42				
		2-Wire Unbundled Copper Loop/Short without manual service inquiry and facility reservation - Zone 3	I	3	UCL	UCLPW	\$21.83	\$104.17	\$78.1			\$3.50		\$18.94	\$8.42				
		Order Coordination for Unbundled Copper Loops (per loop)			UCL	UCLMC		\$36.46	\$36.46										
		2-Wire Unbundled Copper Loop/Long - includes manual svcs. inquiry and facility reservation - Zone 1		1	UCL	UCL2L	\$35.43	\$267.12	\$148.83	\$115.19	\$21.44	\$3.50	\$19.99						
		2-Wire Unbundled Copper Loop/Long - includes manual svc. inquiry and facility reservation - Zone 2		2	UCL	UCL2L	\$40.91	\$267.12	\$148.83	\$115.19	\$21.44	\$3.50	\$19.99						
		2-Wire Unbundled Copper Loop/Long - includes manual svc. inquiry and facility reservation - Zone 3		3	UCL	UCL2L	\$65.02	\$267.12	\$148.83	\$115.19	\$21.44	\$3.50	\$19.99						
		Order Coordination for Unbundled Copper Loops (per loop)			UCL	UCLMC		\$36.46	\$36.46										
		2-Wire Unbundled Copper Loop/Long - without manual service inquiry and facility reservation - Zone 1	I	1	UCL	UCL2W	\$35.43	\$104.17	\$78.10			\$3.50		\$18.94	\$8.42				
		2-Wire Unbundled Copper Loop/Long - without manual service inquiry and facility reservation - Zone 2	I	2	UCL	UCL2W	\$40.91	\$104.17	\$78.10			\$3.50		\$18.94	\$8.42				
		2-Wire Unbundled Copper Loop/Long - without manual service inquiry and facility reservation - Zone 3	I	3	UCL	UCL2W	\$65.02	\$104.17	\$78.10			\$3.50		\$18.94	\$8.42				
		Order Coordination for Unbundled Copper Loops (per loop)			UCL	UCLMC		\$36.46	\$36.46										
		2-Wire Unbundled Copper Loop - Non-Designed Zone 1	I	1	UEQ	UEQ2X	\$11.01	\$44.69	\$22.40	\$25.65	\$7.06	\$3.5		\$18.94	\$8.42				
		2 Wire Unbundled Copper Loop - Non-Designed - Zone 2	I	2	UEQ	UEQ2X	\$12.67	\$44.69	\$22.40	\$25.65	\$7.06	\$3.5		\$18.94	\$8.42				
		2 Wire Unbundled Copper Loop - Non-Designed - Zone 3	I	3	UEQ	UEQ2X	\$20.22	\$44.69	\$22.40	\$25.65	\$7.06	\$3.5		\$18.94	\$8.42				
		Order Coordination 2 Wire Unbundled Copper Loop - Non-Designed (per loop)			UEQ	USBMC		\$36.46	\$36.46										
		Engineering Information Document			UEQ			\$28.72	\$28.72										
		Loop Testing - Basic 1st Half Hour			UEQ	URET1		\$78.92	\$78.92										
		Loop Testing - Basic Additional Half Hour			UEQ	URETA		\$23.33	\$23.33										
		4-WIRE COPPER LOOP																	
		4-Wire Copper Loop/Short - including manual service inquiry and facility reservation - Zone 1		1	UCL	UCL4S	\$16.65	\$327.87	\$209.58	\$121.27	\$25.61	\$3.50	\$19.99						
		4-Wire Copper Loop/Short - including manual service inquiry and facility reservation - Zone 2		2	UCL	UCL4S	\$19.22	\$327.87	\$209.58	\$121.27	\$25.61	\$3.50	\$19.99						
		4-Wire Copper Loop/Short - including manual service inquiry and facility reservation - Zone 3		3	UCL	UCL4S	\$30.55	\$327.87	\$209.58	\$121.27	\$25.61	\$3.50	\$19.99						
		Order Coordination for Unbundled Copper Loops (per loop)			UCL	UCLMC		\$36.46	\$36.46										
		4-Wire Copper Loop/Short - without manual service inquiry and facility reservation - Zone 1	I	1	UCL	UCL4W	\$16.65	\$104.17	\$78.10			\$3.50		\$18.94	\$8.42				
		4-Wire Copper Loop/Short - without manual service inquiry and facility reservation - Zone 2	I	2	UCL	UCL4W	\$19.22	\$104.17	\$78.10			\$3.50		\$18.94	\$8.42				
		4-Wire Copper Loop/Short - without manual service inquiry and facility reservation - Zone 3	I	3	UCL	UCL4W	\$30.55	\$104.17	\$78.10			\$3.50		\$18.94	\$8.42				
		Order Coordination for Unbundled Copper Loops (per loop)			UCL	UCLMC		\$36.46	\$36.46										
		4-Wire Unbundled Copper Loop/Long - includes manual svc. inquiry and facility reservation - Zone 1		1	UCL	UCL4L	\$47.56	\$314.96	\$196.67	\$121.27	\$25.61	\$3.50	\$19.99						
		4-Wire Unbundled Copper Loop/Long - includes manual svc. inquiry and facility reservation - Zone 2		2	UCL	UCL4L	\$54.92	\$314.96	\$196.67	\$121.27	\$25.61	\$3.50	\$19.99						
		4-Wire Unbundled Copper Loop/Long - includes manual svc. inquiry and facility reservation - Zone 3		3	UCL	UCL4L	\$87.30	\$314.96	\$196.67	\$121.27	\$25.61	\$3.50	\$19.99						
		Order Coordination for Unbundled Copper Loops (per loop)			UCL	UCLMC		\$36.46	\$36.46										
		4-Wire Unbundled Copper Loop/Long - without manual svc. inquiry and facility reservation - Zone 1	I	1	UCL	UCL4O	\$47.56	\$104.17	\$78.10			\$3.50		\$18.94	\$8.42				

BELLSOUTH / METROMEDIA FIBER NETWORK SERVICES RATES
Unbundled Network Elements
GEORGIA

CATEGORY	NOTES	UNBUNDLED NETWORK ELEMENT	Interim	Zone	BCS	USOC	RATES					OSS RATES									
							Rec	First	Add'l	First	Add'l	Svc Order Submitted Elec per LSR	Svc Order Submitted Manually per LSR	Incremental Charge - Manual Svc Order vs. Electronic-1st	Incremental Charge - Manual Svc Order vs. Electronic-Add'l	Incremental Charge - Manual Svc Order vs. Electronic-Disc 1st	Incremental Charge - Manual Svc Order vs. Electronic-Disc Add'l				
																		Nonrecurring		Nonrecurring	
																		Disconnect		Disconnect	
Rec	First	Add'l	First	Add'l	SOMECS	SOMAN	SOMAN	SOMAN	SOMAN	SOMAN											
		4-Wire Unbundled Copper Loop/Long - without manual svc. inquiry and facility reservation - Zone 2	I	2	UCL	UCL4O	\$54.92	\$104.17	\$78.10			\$3.50		\$18.94	\$8.42						
		4-Wire Unbundled Copper Loop/Long - without manual svc. inquiry and facility reservation - Zone 3	I	3	UCL	UCL4O	\$87.30	\$104.17	\$78.10			\$3.50		\$18.94	\$8.42						
		Order Coordination for Unbundled Copper Loops (per loop)			UCL	UCLMC		\$36.46	\$36.46												
LOOP MODIFICATION																					
		Unbundled Loop Modification, Removal of Load Coils - 2 Wire pair less than or equal to 18k ft			UAL, UHL, UCL, UEQ	ULM2L	\$ 67.39	\$ 67.39													
		Unbundled Loop Modification, Removal of Load Coils - 2 wire greater than 18k ft			UCL	ULM2G	\$ 337.50	\$337.5													
		Unbundled Loop Modification Removal of Load Coils - 4 Wire less than or equal to 18K ft			UHL, UCL	ULM4L	\$ 67.39	\$ 67.39													
		Unbundled Loop Modification Removal of Load Coils - 4 Wire pair greater than 18k ft			UCL	ULM4G	\$ 337.50	\$ 337.50													
		Unbundled Loop Modification Removal of Bridged Tap Removal, per unbundled loop			UAL, UHL, UCL, UEQ, UEF	ULMBT	\$ 78.10	\$ 78.10													
SUB-LOOPS																					
Sub-Loop Distribution																					
		Sub-Loop - Per Cross Box Location - CLEC Feeder Facility Set-Up	I		UEANL	USBSA	\$421.08	\$421.08				\$3.50		\$18.94	\$8.42						
		Sub-Loop - Per Cross Box Location - Per 25 Pair Panel Set-Up	I		UEANL	USBSB	\$67.10	\$67.10				\$3.50		\$18.94	\$8.42						
		Sub-Loop - Per Building Equipment Room - CLEC Feeder Facility Set-Up	I		UEANL	USBSC	\$394.74	\$394.74				\$3.50		\$18.94	\$8.42						
		Sub-Loop - Per Building Equipment Room - Per 25 Pair Panel Set-Up	I		UEANL	USBSD	\$154.57	\$154.57				\$3.50		\$18.94	\$8.42						
		Sub-Loop Distribution Per 2-Wire Analog Voice Grade Loop - Statewide		sw	UEANL	USBN2	\$9.12	\$207.01	\$171.32			\$3.50		\$18.94	\$8.42						
		Order Coordination for Unbundled Sub-Loops, per sub-loop pair			UEANL	USBMC		\$34.22	\$34.22												
		Sub-Loop Distribution Per 4-Wire Analog Voice Grade Loop - Statewide		sw	UEANL	USBN4	\$8.32	\$219.35	\$72.99	\$123.72	\$28.77	\$3.50		\$18.94	\$8.42						
		Order Coordination for Unbundled Sub-Loops, per sub-loop pair			UEANL	USBMC		\$34.22	\$34.22												
		Sub-Loop 2-Wire IntraBuilding Network Cable (INC)	I		UEANL	USBR2	\$1.61	\$137.03	\$41.59	\$115.85	\$19.17	\$3.50	\$18.94								
		Order Coordination for Unbundled Sub-Loops, per sub-loop pair			UEANL	USBMC		\$34.22	\$34.22												
		Sub-Loop 4-Wire IntraBuilding Network Cable (INC)	I		UEANL	USBR4	\$2.96	\$176.46	\$55.11	\$122.17	\$19.57	\$3.50	\$18.94	\$8.42							
		Order Coordination for Unbundled Sub-Loops, per sub-loop pair			UEANL	USBMC		\$34.22	\$34.22												
		2 Wire Copper Unbundled Sub-Loop Distribution - Zone 1	I	1	UEF	UCS2X	\$5.54	\$175.46	\$55.50	\$108.96	\$24.53	\$3.50	\$18.94	\$8.42							
		2 Wire Copper Unbundled Sub-Loop Distribution - Zone 2	I	2	UEF	UCS2X	\$5.54	\$175.46	\$55.50	\$108.96	\$24.53	\$3.50	\$18.94	\$8.42							
		2 Wire Copper Unbundled Sub-Loop Distribution - Zone 3	I	3	UEF	UCS2X	\$5.54	\$175.46	\$55.50	\$108.96	\$24.53	\$3.50	\$18.94	\$8.42							
		Order Coordination for Unbundled Sub-Loops, per sub-loop pair			UEF	USBMC		\$34.22	\$34.22												
		4 Wire Copper Unbundled Sub-Loop Distribution - Zone 1	I	1	UEF	UCS4X	\$6.89	\$249.35	\$72.99	\$123.72	\$28.77	\$3.50	\$18.94	\$8.42							
		4 Wire Copper Unbundled Sub-Loop Distribution - Zone 2	I	2	UEF	UCS4X	\$6.89	\$249.35	\$72.99	\$123.72	\$28.77	\$3.50	\$18.94	\$8.42							
		4 Wire Copper Unbundled Sub-Loop Distribution - Zone 3	I	3	UEF	UCS4X	\$6.89	\$249.35	\$72.99	\$123.72	\$28.77	\$3.50	\$18.94	\$8.42							
		Order Coordination for Unbundled Sub-Loops, per sub-loop pair			UEF	USBMC		\$34.22	\$34.22												
Sub-Loop Feeder																					

BELLSOUTH / METROMEDIA FIBER NETWORK SERVICES RATES
Unbundled Network Elements
GEORGIA

CATEGORY	NOTES	UNBUNDLED NETWORK ELEMENT	Interim	Zone	BCS	USOC	RATES					OSS RATES															
							Rec	First	Add'l	First	Add'l	SOMEK	SOMAN	SOMAN	SOMAN	SOMAN	SOMAN										
																		Nonrecurring	Nonrecurring	Nonrecurring	Nonrecurring	Nonrecurring	Nonrecurring	Nonrecurring	Nonrecurring	Nonrecurring	Nonrecurring
																		Disconnect	Disconnect	Disconnect	Disconnect	Disconnect	Disconnect	Disconnect	Disconnect	Disconnect	Disconnect
Svc Order Submitted Elec per LSR	Svc Order Submitted Manually per LSR	Incremental Charge - Manual Svc Order vs. Electronic-1st	Incremental Charge - Manual Svc Order vs. Electronic-Add'l	Incremental Charge - Manual Svc Order vs. Electronic-Disc 1st	Incremental Charge - Manual Svc Order vs. Electronic-Disc Add'l																						
		USL-Feeder, DS0 Set-up per Cross Box location - CLEC Distribution Facility set-up			UEA, UD, UCL, UDL, UDC	USBFW		\$421.08																			
		USL Feeder - DS0 Set-up per Cross Box location - per 25 pair set-up			UEA, UD, UCL, UDL, UDC	USBFX		\$67.1	\$67.1																		
		USL Feeder DS1 Set-up at DSX location, per DS1 termination			USL	USBFZ		\$521.57	\$11.3																		
		Unbundled Sub-Loop Feeder Loop, 2 Wire Ground-Start, Voice Grade-Statewide		sw	UEA	USBFA	\$8.58	\$206.44	\$170.05		\$3.50		\$18.94	\$8.42													
		Order Coordination for Specified Conversion Time, per LSR			UEA	OCOSL		\$34.22																			
		Unbundled Sub-Loop Feeder Loop, 2 Wire Loop-Start, Voice Grade - Statewide		sw	UEA	USBFB	\$8.58	\$206.44	\$170.05		\$3.50		\$18.94	\$8.42													
		Order Coordination for Specified Time Conversion, per LSR			UEA	OCOSL		\$34.22																			
		Unbundled Sub-Loop Feeder Loop, 2 Wire Reverse Battery, Voice Grade Loop - Statewide		sw	UEA	USBFC	\$8.58	\$206.44	\$170.05		\$3.50		\$18.94	\$8.42													
		Order Coordination For Specified Conversion Time, per LSR			UEA	OCOSL		\$34.22																			
		Unbundled Sub-Loop Feeder Loop, 4 Wire Ground-Start, Voice Grade - Statewide		sw	UEA	USBFD	\$19.91	\$243.41	\$81.32	\$134.77	\$33.93	\$3.50	\$19.99														
		Order Coordination For Specified Conversion Time, Per LSR			UEA	OCOSL		\$34.22																			
		Unbundled Sub-Loop Feeder Loop, 4 Wire Loop-Start, Voice Grade - Statewide		sw	UEA	USBFE	\$19.91	\$243.41	\$81.32	\$134.77	\$33.93	\$3.50	\$19.99	\$18.94	\$8.42												
		Order Coordination For Specified Conversion Time, Per LSR			UEA	OCOSL		\$34.22																			
		Unbundled Sub-Loop Feeder Loop, 2-Wire ISDN BRI - Statewide		sw	UDN	USBFF	\$17.73	\$208.50	\$62.31	\$119.68	\$29.58	\$3.50	\$18.94	\$8.42													
		Order Coordination For Specified Conversion Time, Per LSR			UDN	OCOSL		\$34.22																			
		Unbundled Sub-Loop Feeder, 2 Wire UDC (IDSL compatible)		sw	UDC	USBFS	\$17.73	\$208.5	\$62.31	\$119.68	\$29.58	\$3.5	\$19.99														
		Unbundled Sub-Loop Feeder Loop, 4-Wire DS1 - Statewide		sw	USL	USBFG	\$79.3	\$203.69	\$128.76	\$124.09	\$34.8	\$3.5	\$19.99														
		Order Coordination For Specified Conversion Time, Per LSR			USL	OCOSL		\$34.22																			
		Unbundled Sub-Loop Feeder Loop, 2-Wire Copper Loop - Statewide		sw	UCL	USBFH	\$7.22	\$195.38	\$63.15	\$119.68	\$29.58	\$3.50	\$19.99														
		Order Coordination For Specified Conversion Time, per LSR			UCL	OCOSL		\$34.22																			
		Sub-Loop Feeder - Per 4-Wire Copper Loop - Statewide		sw	UCL	USBFJ	\$13.72	\$243.41	\$81.32	\$134.77	\$33.93	\$3.50	\$19.99														
		Order Coordination For Specified Conversion Time, per LSR			UCL	OCOSL		\$34.22																			
		Sub-Loop Feeder - Per 4-Wire 19.2 Kbps Digital Grade Loop		sw	UDL	UBSFN	\$24.5	\$243.41	\$81.32	\$134.77	\$33.93	\$3.5	\$19.99														
		Sub-Loop Feeder - Per 4-Wire 56 Kbps Digital Grade Loop - Statewide		sw	UDL	USBFO	\$24.50	\$243.41	\$81.32	\$134.77	\$33.93	\$3.50	\$19.99														
		Order Coordination For Specified Time Conversion, per LSR			UDL	OCOSL		\$34.22																			
		Sub-Loop Feeder - Per 4-Wire 64 Kbps Digital Grade Loop - Statewide		sw	UDL	USBFP	\$24.50	\$243.41	\$81.32	\$134.77	\$33.93	\$3.50	\$13.99														
		Order Coordination For Specified Conversion Time, per LSR			UDL	OCOSL		\$34.22																			
		Unbundled Network Terminating Wire (UNTW)																									
		Unbundled Network Terminating Wire (UNTW) per Pair			UENTW	UENPP	\$1.37	\$2.48	\$2.48	\$1.74	\$1.74	\$3.50	\$18.94	\$8.42													
		Network Interface Device (NID)																									
		Network Interface Device (NID) - 1-2 lines		I	UENTW	UND12		\$86.37	\$56.69																		
		Network Interface Device (NID) - 1-6 lines		I	UENTW	UND16		\$127.93	\$98.21																		
		Network Interface Device Cross Connect - 2 W		I	UENTW	UNDC2		\$6.15	\$6.15																		
		Network Interface Device Cross Connect - 4W			UENTW	UNDC4		\$6.15	\$6.15																		
		UNBUNDLED LOOP CONCENTRATION																									
		Unbundled Loop Concentration - System A (TR008)			ULC	UCT8A	\$441.42	\$650.81	\$650.81																		
		Unbundled Loop Concentration - System B (TR008)			ULC	UCT8B	\$52.97	\$271.17	\$271.17																		
		Unbundled Loop Concentration - System A (TR303)			ULC	UCT3A	\$478.93	\$650.81	\$650.81																		
		Unbundled Loop Concentration - System B (TR303)			ULC	UCT3B	\$89.26	\$271.17	\$271.17																		
		Unbundled Loop Concentration - DS1 Loop Interface Card			ULC	UCTCO	\$5.04	\$126.57	\$92.14	\$33.57	\$9.4																
		Unbundled Loop Concentration - ISDN Loop Interface (Brite Card)			UDN	ULCC1	\$8.0	\$21.07	\$20.96	\$10.78	\$10.71																
		Unbundled Loop Concentration - UDC Loop Interface (Brite Card)			UDC	ULCCU	\$8.0	\$21.07	\$20.96	\$10.78	\$10.71																
		Unbundled Loop Concentration - 2 Wire Voice-Loop Start or Ground Start Loop Interface (POTS Card)			UEA	ULCC2	\$2.0	\$21.07	\$20.96	\$10.78	\$10.71																
		Unbundled Loop Concentration - 2 Wire Voice - Reverse Battery Loop Interface (SPOTS Card)			UEA	ULCCR	\$11.89	\$21.07	\$20.96	\$10.78	\$10.71																

BELLSOUTH / METROMEDIA FIBER NETWORK SERVICES RATES
Unbundled Network Elements
GEORGIA

CATEGORY	NOTES	UNBUNDLED NETWORK ELEMENT	Interim	Zone	BCS	USOC	RATES					OSS RATES									
							Rec	First	Add'l	First	Add'l	Svc Order Submitted Elec per LSR	Svc Order Submitted Manually per LSR	Incremental Charge - Manual Svc Order vs. Electronic-1st	Incremental Charge - Manual Svc Order vs. Electronic-Add'l	Incremental Charge - Manual Svc Order vs. Electronic-Disc 1st	Incremental Charge - Manual Svc Order vs. Electronic-Disc Add'l				
																		Nonrecurring		Nonrecurring	
																		Disconnect		Disconnect	
SOME	SOMAN	SOMAN	SOMAN	SOMAN	SOMAN																
		Unbundled Loop Concentration - 4 Wire Voice Loop Interface			UEA	ULCC4	\$7.09	\$21.07	\$20.96	\$10.78	\$10.71										
		Unbundled Loop Concentration - TEST CIRCUIT Card			ULC	UCTTC	\$34.67	\$21.07	\$20.96	\$10.78	\$10.71										
		Unbundled Loop Concentration - Digital 19.2 Kbps Data Loop Interface			UDL	ULCC3	\$10.51	\$21.07	\$20.96	\$10.78	\$10.71										
		Unbundled Loop Concentration - Digital 56 Kbps Data Loop Interface			UDL	ULCC5	\$10.51	\$21.07	\$20.96	\$10.78	\$10.71										
		Unbundled Loop Concentration - Digital 64 Kbps Data Loop Interface			UDL	ULCC6	\$10.51	\$21.07	\$20.96	\$10.78	\$10.71										
UNBUNDLED SUB-LOOP CONCENTRATION (OUTSIDE CO)																					
UNE OTHER, PROVISIONING ONLY - NO RATE																					
		NID - Dispatch and Service Order for NID installation			UENTW	UNDBX															
		UNTW Circuit Id Establishment, Provisioning Only - No Rate			UENTW	UENCE															
		Unbundled Contract Name, Provisioning Only - No Rate			UEANL,UEF,UEQ,UEN TW	UNECN															
		Unbundled Contact Name, Provisioning Only - no rate			UAL,UCL,UDC,UDL,U DN,UEA,UHL,UCL	UNECN	\$0.0	\$0.0													
		Unbundled Sub-Loop Feeder-2 Wire Cross Box Jumper - no rate			UEA,UDN,UCL,UDC	USBFQ	\$0.0	\$0.0													
		Unbundled Sub-Loop Feeder-4 Wire Cross Box Jumper - no rate			UEA,USL,UCL,UDL	USBFR	\$0.0	\$0.0													
		Unbundled DS1 Loop - Superframe Format Option - no rate			USL	CCOSF	\$0.0	\$0.0													
		Unbundled DS1 Loop - Expanded Superframe Format option - no rate			USL	CCOEF	\$0.0	\$0.0													
HIGH CAPACITY UNBUNDLED LOCAL LOOP																					
		NOTE: 4 month minimum billing period																			
		High Capacity Unbundled Local Loop - DS3 - Per Mile per month			UE3	1L5ND	\$8.90														
		High Capacity Unbundled Local Loop - DS3 - Facility Termination per month			UE3	UE3PX	\$390.34	\$639.50	\$426.40	\$122.31	\$119.14	\$3.5	\$37.55	\$37.55	\$18.03	\$18.03					
		High Capacity Unbundled Local Loop - STS-1 - Per Mile per month			UDLSX	1L5ND	\$8.90														
		High Capacity Unbundled Local Loop - STS-1 - Facility Termination per month			UDLSX	UDLS1	\$421.59	\$639.5	\$426.4	\$122.31	\$119.14	\$3.5	\$37.55	\$37.55	\$18.03	\$18.03					
LOOP MAKE-UP																					
		Loop Makeup - Preordering Without Reservation, per working or spare facility queried (Manual). **			UMK	UMKLW		\$35.00	\$35.00												
		Loop Makeup - Preordering With Reservation, per spare facility queried (Manual). **			UMK	UMKLP		\$45.00	\$45.00												
		Loop Makeup--With or Without Reservation, per working or spare facility queried (Mechanized) **						\$0.0750	\$0.0750												
LINE SHARING																					
		Line Sharing Splitter, per System 96 Line Capacity	I		ULS	ULSDA	\$152.70	\$221.09	\$0.0	\$254.79	\$0.0	\$0.0	\$0.0								
		Line Sharing Splitter, per System 24 Line Capacity	I		ULS	ULSDB	\$38.18	\$221.09	\$0.0	\$254.79	\$0.0	\$0.0	\$0.0								
		Line Sharing - per Line Activation	I		ULS	ULSDC	\$0.61	\$39.09	\$20.94	\$22.15	\$9.46	\$3.50	\$18.94	\$8.42							
		Line Sharing - per Subsequent Activity per Line Rearrangement	I		ULS	ULSDS	\$34.90	\$16.18				\$3.50	\$18.94	\$8.42							
UNBUNDLED TRANSPORT																					
		COMMON TRANSPORT (Shared)																			
		Common Transport - Per Mile, Per MOU					\$0.000008														

BELLSOUTH / METROMEDIA FIBER NETWORK SERVICES RATES
Unbundled Network Elements
GEORGIA

CATEGORY	NOTES	UNBUNDLED NETWORK ELEMENT	Interim	Zone	BCS	USOC	RATES					OSS RATES									
							Rec	First	Add'l	First	Add'l	Svc Order Submitted Elec per LSR	Svc Order Submitted Manually per LSR	Incremental Charge - Manual Svc Order vs. Electronic-1st	Incremental Charge - Manual Svc Order vs. Electronic-Add'l	Incremental Charge - Manual Svc Order vs. Electronic-Disc 1st	Incremental Charge - Manual Svc Order vs. Electronic-Disc Add'l				
																		Nonrecurring		Nonrecurring	
																		Disconnect		Disconnect	
SOME	SOMAN	SOMAN	SOMAN	SOMAN	SOMAN																
		Common Transport - Facilities Termination Per MOU					\$0.0004152														
		NOTE: INTEROFFICE CHANNEL - DEDICATED TRANSPORT - minimum billing period: below DS3 = one month, DS3 and above four months																			
		INTEROFFICE CHANNEL - DEDICATED TRANSPORT - VOICE GRADE																			
		Interoffice Channel - Dedicated Transport - 2-Wire Voice Grade - Per Mile per month			U1TVX	1L5XX	\$0.0222														
		Interoffice Channel - Dedicated Transport- 2- Wire Voice Grade - Facility Termination per month			U1TVX	U1TV2	\$17.07	\$79.61	\$36.08		\$3.50		\$18.94	\$18.94							
		Interoffice Channel - Dedicated Transport- 2-Wire Voice Grade Rev Bat. - Per Mile per month			U1TVX	1L5XX	\$0.0222														
		Interoffice Channel - Dedicated Transport- 2- Wire VG - Rev Bat. - Facility Termination per month			U1TVX	U1TR2	\$17.07	\$79.61	\$36.08		\$3.50		\$18.94	\$18.94							
		Interoffice Channel - Dedicated Transport - 56 kbps - per mile per month			U1TDX	1L5XX	\$0.0222														
		Interoffice Channel - Dedicated Transport - 56 kbps - Facility Termination per month			U1TDX	U1TD5	\$16.45	\$79.61	\$36.08		\$3.50		\$18.94	\$18.94							
		Interoffice Channel - Dedicated Transport - 64 kbps - per mile per month			U1TDX	1L5XX	\$0.0222														
		Interoffice Channel - Dedicated Transport - 64 kbps - Facility Termination per month			U1TDX	U1TD6	\$16.45	\$79.61	\$36.08		\$3.50		\$18.94	\$18.94							
		INTEROFFICE CHANNEL - DEDICATED TRANSPORT - DS1																			
		Interoffice Channel - Dedicated Channel - DS1 - Per Mile per month			U1TD1	1L5XX	\$0.4523														
		Interoffice Channel - Dedicated Transport - DS1 - Facility Termination per month			U1TD1	U1TF1	\$78.47	\$147.07	\$111.75		\$3.50		\$18.94	\$18.94							
		INTEROFFICE CHANNEL - DEDICATED TRANSPORT- DS3																			
		Interoffice Channel - Dedicated Transport - DS3 - Per Mile per month			U1TD3	1L5XX	\$2.72														
		Interoffice Channel - Dedicated Transport - DS3 - Facility Termination per month			U1TD3	U1TF3	\$788.00	\$511.10	\$330.77	\$122.31	\$119.14	\$3.50	\$37.55	\$37.55	\$18.03	\$18.03					
		INTEROFFICE CHANNEL - DEDICATED TRANSPORT- STS-1																			
		Interoffice Channel - Dedicated Transport - STS-1 - Per Mile per month			U1TS1	1L5XX	\$2.72														
		Interoffice Channel - Dedicated Transport - STS-1 - Facility Termination per month			U1TS1	U1TFS	\$783.63	\$511.10	\$449.91	\$122.31	\$119.14	\$3.50	\$61.19	\$61.19	\$3.17	\$3.17					
		LOCAL CHANNEL - DEDICATED TRANSPORT																			
		NOTE: LOCAL CHANNEL DEDICATED TRANSPORT - minimum billing period - below DS3=one month, DS3 and above=four months																			
		Local Channel - Dedicated - 2-Wire Voice Grade Per Month			ULCVX	ULDV2	\$13.91	\$382.95	\$62.4		\$3.5	\$18.94	\$8.42								
		Local Channel - Dedicated - 2-Wire Voice Grade Rev Bat per month			ULCVX	ULDR2	\$13.91	\$382.95	\$62.4		\$3.5	\$18.94	\$8.42								
		Local Channel - Dedicated - 4-Wire Voice Grade per month			UNCVX	ULDV4	\$14.99	\$368.44	\$64.05		\$3.50	\$18.94	\$8.42								
		Local Channel - Dedicated - DS1 per month			ULDD1	ULDF1	\$38.36	\$356.15	\$312.89	\$122.31	\$119.14	\$3.5	\$44.22		\$18.03						
		Local Channel - Dedicated - DS3 - Per Mile per month			ULDD3	1L5NC	\$6.92														
		Local Channel - Dedicated - DS3 - Facility Termination per month			ULDD3	ULDF3	\$515.91	\$639.5	\$426.31	\$122.31	\$119.14	\$3.50	\$37.55	\$37.55	\$18.03	\$18.03					
		Local Channel - Dedicated - STS-1- Per Mile per month			ULDS1	1L5NC	\$6.92														
		Local Channel - Dedicated - STS-1 - Facility Termination per month			ULDS1	ULDFS	\$517.56	\$639.5	\$515.91	\$426.31	\$122.31	\$3.50	\$37.55	\$37.55	\$18.03	\$18.03					
		MULTIPLEXERS																			
		Channelization - DS1 to DS0 Channel System			UXTD1	MQ1	\$126.22	\$198.22	\$123.59	\$31.03	\$19.75	\$3.50	\$14.75	\$6.55	\$10.7						
		OCU-DP COCI (data) - DS1 to DS0 Channel System - per month (2.4-64kbs)			UDL	1D1DD	\$1.86	\$12.02	\$8.66												
		2-wire ISDN COCI (BRITE) - DS1 to DS0 Channel System - per month			UDN	UC1CA	\$3.71	\$12.02	\$8.66												
		Voice Grade COCI - DS1 to DS0 Channel System - per month			UEA	1D1VG	\$1.17	\$12.02	\$8.66												

BELLSOUTH / METROMEDIA FIBER NETWORK SERVICES RATES
Unbundled Network Elements
GEORGIA

CATEGORY	NOTES	UNBUNDLED NETWORK ELEMENT	Interim	Zone	BCS	USOC	RATES					OSS RATES					
							Rec	First	Add'l	First	Add'l	Svc Order Submitted Elec per LSR	Svc Order Submitted Manually per LSR	Incremental Charge - Manual Svc Order vs. Electronic-1st	Incremental Charge - Manual Svc Order vs. Electronic-Add'l	Incremental Charge - Manual Svc Order vs. Electronic-Disc 1st	Incremental Charge - Manual Svc Order vs. Electronic-Disc Add'l
		DS3 to DS1 Channel System per month			UXTD3	MQ3	\$182.04	\$265.91	\$188.78	\$72.50	\$59.96	\$3.50		\$14.75	\$6.55	\$10.60	
		STS1 to DS1 Channel System per month			UXTS1	MQ3	\$182.04	\$265.91	\$188.78	\$72.50	\$59.96	\$3.50		\$14.75	\$6.55	\$10.60	\$0.00
		DS3 Interface Unit (DS1 COCI) used with Loop per month			USL	UC1D1	\$11.02	\$12.02	\$8.66								
DARK FIBER																	
		Dark Fiber, Four Fiber Strands, Per Route Mile or Fraction Thereof per month - Local Channel			UDF	1L5DC	\$44.22										
		NRC Dark Fiber - Local Channel			UDF	UDFC4	\$1,355.29	\$273.69			\$3.50			\$18.94			
		Dark Fiber, Four Fiber Strands, Per Route Mile or Fraction Thereof per month - Interoffice Channel			UDF	1L5DF	\$44.22										
		NRC Dark Fiber - Interoffice Channel			UDF	UDF14	\$1,355.29	\$273.69	\$0.00	\$0.00	\$3.50		\$0.00	\$18.94	\$0.00	\$0.00	\$0.00
		Dark Fiber, Four Fiber Strands, Per Route Mile or Fraction Thereof per month - Local Loop			UDF	1L5DL	\$44.22										
		NRC Dark Fiber - Local Loop			UDF	UDFL4	\$1,355.29	\$273.69	\$0.00	\$0.00	\$3.50		\$0.00	\$18.94	\$0.00	\$0.00	\$0.00
TRANSPORT OTHER																	
Optional Features & Functions:																	
		Clear Channel Capability (B8ZS/ESF) Option - Subsequent - per DS1 Channel			UNC1X	CCOEF	\$184.62	\$23.78	\$2.03	\$0.79			\$29.33	\$3.93			
		Clear Channel Capability (B8ZS/SF) Option - Subsequent - per DS1 Channel			UNC1X	CCOSF	\$184.62	\$23.78	\$2.03	\$0.79			\$29.33	\$3.93			
8XX ACCESS TEN DIGIT SCREENING																	
		8XX Access Ten Digit Screening, Per Call			OHD		\$0.004868				\$3.50						
		8XX Access Ten Digit Screening, Reservation Charge Per 8XX Number Reserved			OHD	N8R1X	\$6.57	\$7.76			\$3.50		\$18.94	\$18.94			
		8XX Access Ten Digit Screening, Per 8XX No. Established W/O POTS Translations			OHD		\$12.81	\$1.45			\$3.50		\$18.94	\$18.94			
		8XX Access Ten Digit Screening, Per 8XX No. Established With POTS Translations			OHD	N8FTX	\$12.81	\$1.45			\$3.50		\$18.94	\$18.94			
		8XX Access Ten Digit Screening, Customized Area of Service Per 8XX Number			OHD	N8FCX	\$4.46	\$2.23			\$3.50						
		8XX Access Ten Digit Screening, Multiple InterLATA CXR Routing Per CXR Requested Per 8XX No.			OHD	N8FMX	\$5.22	\$2.99			\$3.50						
		8XX Access Ten Digit Screening, Change Charge Per Request			OHD	N8FAX	\$7.33	\$7.76			\$3.50		\$18.94	\$18.94			
		8XX Access Ten Digit Screening, Call Handling and Destination Features			OHD	N8FDX	\$4.72	4.46			\$3.50						
LINE INFORMATION DATA BASE ACCESS (LIDB)																	
		LIDB Common Transport Per Query				OQT	\$0.000338				\$3.50		\$18.94	\$18.94			
		LIDB Validation Per Query				OQU	\$0.0105974				\$3.50		\$18.94	\$18.94			
		LIDB Originating Point Code Establishment or Change					\$50.30				\$3.50		\$18.94	\$18.94			
SIGNALING (CCS7)																	
		CCS7 Signaling Termination, Per STP Port					\$133.99										
		CCS7 Signaling Usage, Per TCAP Message					\$0.0000870										
		CCS7 Signaling Connection, Per link (A link)					\$17.05	\$131.96	\$131.96		\$3.50		\$18.94	\$18.94			
		CCS7 Signaling Connection, Per link (B link) (also known as D link)					\$17.05	\$131.96	\$131.96		\$3.50		\$18.94	\$18.94			
		CCS7 Signaling Usage, Per ISUP Message					\$0.0000354										
		CCS7 Signaling Usage Surrogate, per link per LATA					\$340.67										
		CCS7 Signaling Point Code, Establishment or Change, per STP affected					\$62.00	\$62.00			\$3.50		\$18.94	\$18.94			
CALLING NAME (CNAM) SERVICE																	
		CNAM for DB Owners, Per Query					\$0.016										

BELLSOUTH / METROMEDIA FIBER NETWORK SERVICES RATES
Unbundled Network Elements
GEORGIA

CATEGORY	NOTES	UNBUNDLED NETWORK ELEMENT	Interim	Zone	BCS	USOC	RATES					OSS RATES						
							Rec	First	Add'l	First	Add'l	Svc Order Submitted Elec per LSR	Svc Order Submitted Manually per LSR	Incremental Charge - Manual Svc Order vs. Electronic-1st	Incremental Charge - Manual Svc Order vs. Electronic-Add'l	Incremental Charge - Manual Svc Order vs. Electronic-Disc 1st	Incremental Charge - Manual Svc Order vs. Electronic-Disc Add'l	
																		Disconnect
		CNAM for Non DB Owners, Per Query					\$0.01											
		CNAM (Non-Databs Owner), NRC, applies when using the Character Based User Interface (CHUI)			QOV	CDDCH		\$595.00				\$3.50						
		OPERATOR SERVICES AND DIRECTORY ASSISTANCE																
		OPERATOR CALL PROCESSING																
		Oper. Call Processing - Oper. Provided, Per Min. - Using BST LIDB					\$1.2				\$3.50							
		Oper. Call Processing - Oper. Provided, Per Min. - Using Foreign LIDB					\$1.24				\$3.50							
		Oper. Call Processing - Fully Automated, per Call - Using BST LIDB					\$0.20				\$3.50							
		Oper. Call Processing - Fully Automated, per Call - Using Foreign LIDB					\$0.20				\$3.50							
		INWARD OPERATOR SERVICES																
		Inward Operator Svcs - Verification, Per Minute					\$1.15				\$3.50							
		Inward Operator Services - Verification and Emergency Interrupt - Per Minute					\$1.15				\$3.50							
		BRANDING - OPERATOR CALL PROCESSING																
		Recording of Custom Branded OA Announcement				CBAOS	\$7,000.00	\$7,000.00	\$9.61	\$9.61								
		Loading of Custom Branded OA Announcement per shelf/NAV				CBAOL	\$500.00	\$500.00			\$3.50							
		DIRECTORY ASSISTANCE SERVICES																
		DIRECTORY ASSISTANCE ACCESS SERVICE																
		Directory Assistance Access Service Calls, Charge Per Call					\$0.275											
		DIRECTORY ASSISTANCE CALL COMPLETION ACCESS SERVICE (DACC)																
		Directory Assistance Call Completion Access Service (DACC), Per Call Attempt					\$0.10											
		UNBRANDING																
		DIRECTORY TRANSPORT																
		Directory Transport - Local Channel DS1					\$38.36	\$356.15	\$312.89		\$3.50		\$44.22					
		Directory Transport - DS1 Level Interoffice Per Mile					\$0.4523				\$3.50							
		Directory Transport - DS1 Level Interoffice Per Facility Termination					\$78.47	\$147.07	\$111.75		\$3.50		\$18.94					
		Switched Common Transport Per DA Access Service Per Call					\$0.0002906				\$3.50							
		Switched Common Transport Per DA Access Service Per Call Per Mile					\$0.0000186				\$3.50							
		Access Tandem Switching Per DA Access Service Per Call					\$0.0019152				\$3.50							
		Directory Transport - DA Interconnection Per DA Service Call					\$0.00269				\$3.50							
		Directory Transport - Installation NRC, Per Trunk or Signaling Connection						\$204.23	\$4.42		\$3.50		\$44.22					
		DIRECTORY ASSISTANCE DATA BASE SERVICE (DADS)																
		Directory Assistance Data Base Service Charge Per Listing					\$0.04											
		Directory Assistance Data Base Service, per month					\$150.00											
		BRANDING - DIRECTORY ASSISTANCE																
		Custom Branding Announcement, per Recording to be used with the provision of DA			AMT	CBADA	\$3,000.00	\$3,000.00										
		Loading of Custom Branded Announcement per DRAM Card/Switch			AMT	CBADC	\$690.00	\$690.00										
		SELECTIVE ROUTING																
		Selective Routing Per Unique Line Class Code Per Request Per Switch				USRCR	\$180.62	\$180.62			\$3.50		\$33.67	\$7.88				
		VIRTUAL COLLOCATION																
		Virtual Collocation - 2-wire Cross Connects (loop)			ueanl,uea,udn,udc,uah,uhl,ucl,ueg	UEAC2	\$0.03	\$24.56	\$23.56	\$9.20	\$8.30	\$3.50						
		Virtual Collocation - 2-wire Cross Connects (port)				VE1R2	\$0.03	\$24.56	\$23.56	\$9.20	\$8.30	\$3.50						

BELLSOUTH / METROMEDIA FIBER NETWORK SERVICES RATES
Unbundled Network Elements
GEORGIA

CATEGORY	NOTES	UNBUNDLED NETWORK ELEMENT	Interim	Zone	BCS	USOC	RATES					OSS RATES					
							Rec	First	Add'l	First	Add'l	Svc Order Submitted Elec per LSR	Svc Order Submitted Manually per LSR	Incremental Charge - Manual Svc Order vs. Electronic-1st	Incremental Charge - Manual Svc Order vs. Electronic-Add'l	Incremental Charge - Manual Svc Order vs. Electronic-Disc 1st	Incremental Charge - Manual Svc Order vs. Electronic-Disc Add'l
		Virtual Collocation - 4-wire Cross Connects (loop)			uea,uhl,ucl,ufl	UEAC4	\$0.06	\$24.75	\$23.70	\$9.03	\$8.10	\$3.50					
		Virtual Collocation - 4-wire Cross Connects (port)				VE1R4	\$0.06	\$24.75	\$23.70	\$9.03	\$8.10	\$3.50					
		Virtual Collocation - 2-Fiber Cross Connects				CNC2F	\$2.88	\$41.72	\$30.36	\$10.43	\$8.36	\$3.50	\$2.20	\$2.20			
		Virtual Collocation - 4-Fiber Cross Connects				CNC4F	\$5.76	\$51.03	\$39.67	\$13.71	\$11.65	\$3.50	\$2.20	\$2.20			
		Virtual Collocatin - DS1 Cross Connects			USL,ULC	CNC1X	\$7.5	\$155.000	\$14.00								
AIN SELECTIVE CARRIER ROUTING																	
		Regional Service Establishment			SRC	SRCEC	#####	#####									
		End Office Establishment			SRC	SRCEO	\$320.53	\$320.53									
		Line/Port NRC, per end user			SRC	SRCLP	\$2.06	\$2.06									
		Query NRC, per query			SRC		\$0.000448										
AIN - BELLSOUTH AIN SMS ACCESS SERVICE																	
		AIN SMS Access Service - Service Establishment, Per State, Initial Setup				CAMSE		\$90.25				\$3.50	\$19.99				
		AIN SMS Access Service - Port Connection - Dial/Shared Access				CAMDP		\$29.66				\$3.50					
		AIN SMS Access Service - Port Connection - ISDN Access				CAM1P		\$29.66				\$3.50					
		AIN SMS Access Service - User Identification Codes - Per User ID Code				CAMAU		\$84.43				\$3.50					
		AIN SMS Access Service - Security Card, Per User ID Code, Initial or Replacement				CAMRC		\$35.44				\$3.50					
		AIN SMS Access Service - Storage, Per Unit (100 Kilobytes)					\$0.0023					\$3.50					
		AIN SMS Access Service - Session, Per Minute					\$0.0795604										
		AIN SMS Access Service - Company Performed Session, Per Minute					\$2.08										
AIN - BELLSOUTH AIN TOOLKIT SERVICE																	
		AIN Toolkit Service - Service Establishment Charge, Per State, Initial Setup				BAPSC		\$86.74				\$3.50	\$19.99				
		AIN Toolkit Service - Training Session, Per Customer				BAPVX		\$8.348				\$3.50					
		AIN Toolkit Service - Trigger Access Charge, Per Trigger, Per DN, Term. Attempt				BAPTT		\$19.13				\$3.50					
		AIN Toolkit Service - Trigger Access Charge, Per Trigger, Per DN, Off-Hook Delay				BAPTD		\$114.80				\$3.50					
		AIN Toolkit Service - Trigger Access Charge, Per Trigger, Per DN, Off-Hook Immediate				BAPTM		\$19.13				\$3.50					
		AIN Toolkit Service - Trigger Access Charge, Per Trigger, Per DN, 10-Digit PODP				BAPTO		\$70.06				\$3.50					
		AIN Toolkit Service - Trigger Access Charge, Per Trigger, Per DN, CDP				BAPTC		\$70.06				\$3.50					
		AIN Toolkit Service - Trigger Access Charge, Per Trigger, Per DN, Feature Code				BAPTF		\$70.06				\$3.50					
		AIN Toolkit Service - Query Charge, Per Query					\$0.0209223					\$3.50					
		AIN Toolkit Service - Type 1 Node Charge, Per AIN Toolkit Subscription, Per Node, Per Query					\$0.0053137					\$3.50					
		AIN Toolkit Service - SCP Storage Charge, Per SMS Access Account, Per 100 Kilobytes					\$1.46					\$3.50					
		AIN Toolkit Service - Monthly report - Per AIN Toolkit Service Subscription				BAPMS	\$15.96	\$22.64				\$3.50					
		AIN Toolkit Service - Special Study - Per AIN Toolkit Service Subscription				BAPLS	\$0.0861109	\$22.64				\$3.50					
		AIN Toolkit Service - Call Event Report - Per AIN Toolkit Service Subscription				BAPDS	\$15.87	\$22.64				\$3.50					
		AIN Toolkit Service - Call Event Special Study - Per AIN Toolkit Service Subscription				BAPES	\$0.0028704	\$22.64				\$3.50					
ODUF/EDOUF/ADUF/CMDS																	
		ACCESS DAILY USAGE FILE (ADUF)															
		ADUF: Message Processing, per message						\$0.0136327									
		ADUF: Data Transmission (CONNECT:DIRECT), per message						\$0.0000434									

BELLSOUTH / METROMEDIA FIBER NETWORK SERVICES RATES
Unbundled Network Elements
GEORGIA

CATEGORY	NOTES	UNBUNDLED NETWORK ELEMENT	Interim	Zone	BCS	USOC	RATES				OSS RATES						
							Rec	First	Add'l	First	Add'l	Svc Order Submitted Elec per LSR	Svc Order Submitted Manually per LSR	Incremental Charge - Manual Svc Order vs. Electronic-1st	Incremental Charge - Manual Svc Order vs. Electronic-Add'l	Incremental Charge - Manual Svc Order vs. Electronic-Disc 1st	Incremental Charge - Manual Svc Order vs. Electronic-Disc Add'l
SOME	SOMAN	SOMAN	SOMAN	SOMAN	SOMAN												
ENHANCED OPTIONAL DAILY USAGE FILE (EODUF)																	
		EODUF: Message Processing, per message					\$0.0034555										
OPTIONAL DAILY USAGE FILE (ODUF)																	
		ODUF: Recording, per message					\$0.0001275										
		ODUF: Message Processing, per message					\$0.0082548										
		ODUF: Message Processing, per Magnetic Tape provisioned					\$28.85			\$3.50							
		ODUF: Data Transmission (CONNECT:DIRECT), per message					\$0.0000434										
ENHANCED EXTENDED LINK (EELs)																	
NOTE: New EELs available in State of Georgia, density zone 1 of following SMAs: Orlando, FL; Miami, FL; Ft. Lauderdale, FL; Nashville, TN; New Orleans, LA;																	
NOTE: Charlotte-Gastonia-Rockhill, NC; Greensboro-Winston Salem-High Point, NC. Use all rates below except Switch As Is Charge.																	
NOTE: In all states, EEL network elements shown below also apply to currently combined facilities which are converted to UNE rates. A Switch As Is Charge applies to currently combined facilities converted to UNEs.(Non-recurring rates do not apply.)																	
NOTE: In Georgia, the EEL network elements apply to ordinarily combined network elements per the GA PSC order.(No Switch As Is Charge.)																	
2-WIRE VOICE GRADE EXTENDED LOOP WITH DEDICATED DS1 INTEROFFICE TRANSPORT (EEL)																	
		First 2-Wire VG Loop(SL2)/DS1 Interofficed Transport Combination - Zone 1		1	UNCVX	UEAL2	\$16.84	\$104.17	\$78.1		\$3.50	\$33.63	\$27.49	\$19.88	\$11.85		
		First 2-Wire VG Grade Loop(SL2)/DS1 Interofficed Transport Combination - Zone 2		2	UNCVX	UEAL2	\$19.45	\$104.17	\$78.10		\$3.50	\$33.63	\$27.49	\$19.88	\$11.85		
		First 2-Wire VG Grade Loop(SL2)/DS1 Interofficed Transport Combination - Zone 3		3	UNCVX	UEAL2	\$30.92	\$104.17	\$78.10		\$3.50	\$33.63	\$27.49	\$19.88	\$11.85		
		Interoffice Transport - Dedicated - DS1 combination - Per Mile per month			UNC1X	1L5XX	\$0.4523										
		Interoffice Transport - Dedicated - DS1 combination - Facility Termination per month			UNC1X	U1TF1	\$78.47	\$208.04	\$95.99		\$3.5	\$33.63	\$27.49	\$19.88	\$11.85		
		DS1 Channelization System Per Month			UNC1X	MQ1	\$126.22	\$104.05	\$100.75								
		Voice Grade COCI - DS1 To DS0 Interface - Per Month			UNCVX	1D1VG	\$1.17	\$12.02	\$8.66								
		Each Additional 2-Wire VG Loop(SL 2) in the same DS1 Interoffice Transport Combination - Zone 1		1	UNCVX	UEAL2	\$16.84	\$104.17	\$78.10		\$3.50	\$33.63	\$27.49	\$19.88	\$11.85		
		Each Additional 2-Wire VG Loop(SL2) in the same DS1 Interoffice Transport Combination - Zone 2		2	UNCVX	UEAL2	\$19.45	\$104.17	\$78.10		\$3.50	\$33.63	\$27.49	\$19.88	\$11.85		
		Each Additional 2-Wire VG Loop(SL2) in the same DS1 Interoffice Transport Combination - Zone 3		3	UNCVX	UEAL2	\$30.92	\$104.17	\$78.10		\$3.50	\$33.63	\$27.49	\$19.88	\$11.85		
		Voice Grade COCI - DS1 to DS0 Channel System combination - per month			UNCVX	1D1VG	\$1.17	\$12.02	\$8.66								
		Nonrecurring Currently Combined Network Elements Switch -As-Is Charge			UNC1X	UNCCC		\$12.97	\$11.27	\$12.61	\$12.61	\$3.5	\$33.63	\$27.49	\$19.88	\$11.85	
4-WIRE VOICE GRADE EXTENDED LOOP WITH DEDICATED DS1 INTEROFFICE TRANSPORT (EEL)																	
		First 4-Wire Analog Voice Grade Loop/DS1 Interoffice Transport Combination - Zone 1		1	UNCVX	UEAL4	\$22.88	\$255.62	\$229.77		\$3.5	\$33.63	\$27.49	\$19.88	\$11.85		
		First 4-Wire Analog Voice Grade Loop/DS1 Interoffice Transport Combination - Zone 2		2	UNCVX	UEAL4	\$25.7	\$255.62	\$229.77		\$3.50	\$33.63	\$27.49	\$19.88	\$11.85		
		First 4-Wire Analog Voice Grade Loop/DS1 Interoffice Transport Combination - Zone 3		3	UNCVX	UEAL4	\$40.86	\$255.62	\$229.77		\$3.50	\$33.63	\$27.49	\$19.88	\$11.85		
		Interoffice Transport - Dedicated - DS1 combination - Per Mile Per Month			UNC1X	1L5XX	\$0.4523										
		Interoffice Transport - Dedicated - DS1 - Facility Termination Per Month			UNC1X	U1TF1	\$78.47	\$206.04	\$95.99		\$3.5	\$33.63	\$27.49	\$19.88	\$11.85		

BELLSOUTH / METROMEDIA FIBER NETWORK SERVICES RATES
Unbundled Network Elements
GEORGIA

CATEGORY	NOTES	UNBUNDLED NETWORK ELEMENT	Interim	Zone	BCS	USOC	RATES					OSS RATES							
							Rec	First	Add'l	First	Add'l	Svc Order Submitted Elec per LSR	Svc Order Submitted Manually per LSR	Incremental Charge - Manual Svc Order vs. Electronic-1st	Incremental Charge - Manual Svc Order vs. Electronic-Add'l	Incremental Charge - Manual Svc Order vs. Electronic-Disc 1st	Incremental Charge - Manual Svc Order vs. Electronic-Disc Add'l		
																		Nonrecurring	Nonrecurring
																		Disconnect	
SOMEK	SOMAN	SOMAN	SOMAN	SOMAN	SOMAN														
		Channelization - Channel System DS1 to DS0 combination Per Month			UNC1X	MQ1	\$126.22	\$104.05	\$100.75										
		Voice Grade COCI - DS1 to DS0 Channel System combination - per month			UNCVX	1D1VG	\$2.20	\$12.02	\$8.66										
		Additional 4-Wire Analog Voice Grade Loop in same DS1 Interoffice Transport Combination - Zone 1		1	UNCVX	UEAL4	\$22.88	\$255.62	\$229.77		\$3.50	\$33.63	\$27.49	\$19.88	\$11.85				
		Additional 4-Wire Analog Voice Grade Loop in same DS1 Interoffice Transport Combination - Zone 2		2	UNCVX	UEAL4	\$25.7	\$255.62	\$229.77		\$3.50	\$33.63	\$27.49	\$19.88	\$11.85				
		Additional 4-Wire Analog Voice Grade Loop in same DS1 Interoffice Transport Combination - Zone 3		3	UNCVX	UEAL4	\$40.86	\$255.62	\$229.77		\$3.50	\$33.63	\$27.49	\$19.88	\$11.85				
		Voice Grade COCI - DS1 to DS0 Channel System combination - per month			UNCVX	1D1VG	\$2.20	\$12.02	\$8.66										
		Nonrecurring Currently Combined Network Elements Switch -As-Is Charge			UNC1X	UNCCC		\$12.97	\$11.27	\$12.61	\$12.61	\$3.5	\$33.63	\$27.49	\$19.88	\$11.85			
		4-WIRE 56 KBPS EXTENDED DIGITAL LOOP WITH DEDICATED DS1 INTEROFFICE TRANSPORT (EEL)																	
		First 4-Wire 56Kbps Digital Grade Loop/DS1 Interoffice Transport Combination - Zone 1		1	UNCDX	UDL56	\$25.75	\$395.14	\$206.98		\$3.50	\$33.63	\$27.49	\$19.88	\$11.85				
		First 4-wire 56Kbps Digital Grade Loop/DS1 Interoffice Transport Combination - Zone 2		2	UNCDX	UDL56	\$29.74	\$395.14	\$206.98		\$3.50	\$33.63	\$27.49	\$19.88	\$11.85				
		First 4-Wire 56Kbps Digital Grade Loop/DS1 Interoffice Transport Combination - Zone 3		3	UNCDX	UDL56	\$47.27	\$395.14	\$206.98		\$3.50	\$33.63	\$27.49	\$19.88	\$11.85				
		Interoffice Transport - Dedicated - DS1 combination - Per Mile Per Month			UNC1X	1L5XX	\$0.4523												
		Interoffice Transport - Dedicated - DS1 - combination Facility Termination Per Month			UNC1X	U1TF1	\$78.47	\$208.04	\$95.99		\$3.50	\$33.63	\$27.49	\$19.88	\$11.85				
		Channelization - Channel System DS1 to DS0 combination Per Month			UNC1X	MQ1	\$126.22	\$104.05	\$100.75										
		OCU-DP COCI (data) - DS1 to DS0 Channel System - per month (2.4-64kbs)			UNCDX	1D1DD	\$1.86	\$12.02	\$8.66										
		Additional 4-Wire 56Kbps Digital Grade Loopin same DS1 Interoffice Transport Combination - Zone 1		1	UNCDX	UDL56	\$25.75	\$395.14	\$206.98		\$3.5	\$33.63	\$27.49	\$19.88	\$11.85				
		Additional 4-Wire 56Kbps Digital Grade Loopin same DS1 Interoffice Transport Combination - Zone 2		2	UNCDX	UDL56	\$29.74	\$395.14	\$206.98		\$3.50	\$33.63	\$27.49	\$19.88	\$11.85				
		Additional 4-Wire 56Kbps Digital Grade Loopin same DS1 Interoffice Transport Combination - Zone 3		3	UNCDX	UDL56	\$47.27	\$395.14	\$206.98		\$3.50	\$33.63	\$27.49	\$19.88	\$11.85				
		OCU-DP COCI (data) - DS1 to DS0 Channel System - combination per month (2.4-64kbs)			UNCDX	1D1DD	\$1.86	\$12.02	\$8.66										
		Nonrecurring Currently Combined Network Elements Switch -As-Is Charge			UNC1X	UNCCC		\$12.97	\$11.27	\$12.61	\$12.61	\$3.5	\$33.63	\$27.49	\$19.88	\$11.85			
		4-WIRE 64 KBPS EXTENDED DIGITAL LOOP WITH DEDICATED DS1 INTEROFFICE TRANSPORT (EEL)																	
		First 4-Wire 64Kbps Digital Grade Loop/DS1 Interoffice Transport Combination - Zone 1		1	UNCDX	UDL64	\$25.75	\$395.14	\$206.98		\$3.50	\$33.63	\$27.49	\$19.88	\$11.85				
		First 4-Wire 64Kbps Digital Grade Loop/DS1 Interoffice Transport Combination - Zone 2		2	UNCDX	UDL64	\$29.74	\$395.14	\$206.98		\$3.50	\$33.63	\$27.49	\$19.88	\$11.85				
		First 4-Wire 64Kbps Digital Grade Loop/DS1 Interoffice Transport Combination - Zone 3		3	UNCDX	UDL64	\$47.27	\$395.14	\$206.98		\$3.50	\$33.63	\$27.49	\$19.88	\$11.85				
		Interoffice Transport - Dedicated - DS1 combination - Per Mile Per Month			UNC1X	1L5XX	\$0.4523												
		Interoffice Transport - Dedicated - DS1 combination - Facility Termination Per Month			UNC1X	U1TF1	\$78.47	\$208.04	\$95.99		\$3.50	\$33.63	\$27.49	\$19.88	\$11.85				
		Channelization - Channel System DS1 to DS0 combination Per Month			UNC1X	MQ1	\$126.22	\$104.05	\$100.75										
		OCU-DP COCI (data) - DS1 to DS0 Channel System combination - per month (2.4-64kbs)			UNCDX	1D1DD	\$1.86	\$12.02	\$8.66										
		Additional 4-Wire 64Kbps Digital Grade Loopin same DS1 Interoffice Transport Combination - Zone 1		1	UNCDX	UDL64	\$25.75	\$395.14	\$206.98		\$3.50	\$33.63	\$27.49	\$19.88	\$11.85				

BELLSOUTH / METROMEDIA FIBER NETWORK SERVICES RATES
Unbundled Network Elements
GEORGIA

CATEGORY	NOTES	UNBUNDLED NETWORK ELEMENT	Interim	Zone	BCS	USOC	RATES					OSS RATES							
							Rec	First	Add'l	First	Add'l	Svc Order Submitted Elec per LSR	Svc Order Submitted Manually per LSR	Incremental Charge - Manual Svc Order vs. Electronic-1st	Incremental Charge - Manual Svc Order vs. Electronic-Add'l	Incremental Charge - Manual Svc Order vs. Electronic-Disc 1st	Incremental Charge - Manual Svc Order vs. Electronic-Disc Add'l		
																		Nonrecurring	Nonrecurring
																		Disconnect	
SOME	SOMAN	SOMAN	SOMAN	SOMAN	SOMAN														
		Additional 4-Wire 64Kbps Digital Grade Loopin same DS1 Interoffice Transport Combination - Zone 2		2	UNCDX	UDL64	\$29.74	\$395.14	\$206.98			\$3.50		\$33.63	\$27.49	\$19.88	\$11.85		
		Additional 4-Wire 64Kbps Digital Grade Loopin same DS1 Interoffice Transport Combination - Zone 3		3	UNCDX	UDL64	\$47.27	\$395.14	\$206.98			\$3.50		\$33.63	\$27.49	\$19.88	\$11.85		
		OCU-DP COCI (data) - DS1 to DS0 Channel System combination - per month (2.4-64kbs)			UNCDX	1D1DD	\$1.86	\$12.02	\$8.66										
		Nonrecurring Currently Combined Network Elements Switch -As-Is Charge			UNC1X	UNCCC		\$12.97	\$11.27	\$12.61	\$12.61	\$3.5		\$33.63	\$27.49	\$19.88	\$11.85		
		4-WIRE DS1 DIGITAL EXTENDED LOOP WITH DEDICATED DS1 INTEROFFICE TRANSPORT (EEL)																	
		4-Wire DS1 Digital Loop in Combination with DS1 Interoffice Transport - Zone 1		1	UNC1X	USLXX	\$55.53	\$627.44	\$231.49			\$3.50		\$33.63	\$27.49	\$19.88	\$11.85		
		4-Wire DS1 Digital Loop in Combination with DS1 Interoffice Transport - Zone 2		2	UNC1X	USLXX	\$64.13	\$627.44	\$231.49			\$3.50		\$33.63	\$27.49	\$19.88	\$11.85		
		4-Wire DS1 Digital Loop in Combination with DS1 Interoffice Transport - Zone 3		3	UNC1X	USLXX	\$101.93	\$627.44	\$231.49			\$3.50		\$33.63	\$27.49	\$19.88	\$11.85		
		Interoffice Transport - Dedicated - DS1 combination - Per Mile Per Month			UNC1X	1L5XX	\$0.4523												
		Interoffice Transport - Dedicated - DS1 combination - Facility Termination Per Month			UNC1X	U1TF1	\$78.47	\$208.04	\$95.99			\$3.5		\$33.63	\$27.49	\$19.88	\$11.85		
		Nonrecurring Currently Combined Network Elements Switch -As-Is Charge			UNC1X	UNCCC		\$12.97	\$11.27	\$12.61	\$12.61	\$3.5		\$33.63	\$27.49	\$19.88	\$11.85		
		4-WIRE DS1 DIGITAL EXTENDED LOOP WITH DEDICATED DS3 INTEROFFICE TRANSPORT (EEL)																	
		First DS1Loop in DS3 Interoffice Transport Combination - Zone 1		1	UNC1X	USLXX	\$55.53	\$761.81	\$545.54			\$3.50		\$33.63	\$27.49	\$19.85	\$11.85		
		First DS1Loop in DS3 Interoffice Transport Combination - Zone 2		2	UNC1X	USLXX	\$64.13	\$429.98	\$268.18			\$3.50		\$33.63	\$27.49	\$19.88	\$11.85		
		First DS1Loop in DS3 Interoffice Transport Combination - Zone 3		3	UNC1X	USLXX	\$101.93	\$429.98	\$268.18			\$3.50		\$33.63	\$27.49	\$19.88	\$11.85		
		Interoffice Transport - Dedicated - DS3 combination - Per Mile Per Month			UNC3X	1L5XX	\$2.72												
		Interoffice Transport - Dedicated - DS3 - Facility Termination per month			UNC3X	U1TF3	\$783.63	\$486.58	\$247.1			\$3.50		\$33.63	\$27.49	\$19.88	\$11.85		
		DS3 to DS1 Channel System combination per month			UNC3X	MQ3	\$182.04	\$188.78	\$72.5	\$59.96	\$12.02								
		DS3 Interface Unit (DS1 COCI) combination per month			UNC1X	UC1D1	\$11.02	\$12.02	\$8.66										
		Additional DS1Loop in DS3 Interoffice Transport Combination - Zone 1		1	UNC1X	USLXX	\$55.53	\$761.81	\$545.54			\$3.50		\$33.63	\$27.49	\$19.85	\$11.85		
		Additional DS1Loop in DS3 Interoffice Transport Combination - Zone 2		2	UNC1X	USLXX	\$64.13	\$429.98	\$268.18			\$3.50		\$33.63	\$27.49	\$19.88	\$11.85		
		Additional DS1Loop in DS3 Interoffice Transport Combination - Zone 3		3	UNC1X	USLXX	\$101.93	\$429.98	\$268.18			\$3.50		\$33.63	\$27.49	\$19.88	\$11.85		
		DS3 Interface Unit (DS1 COCI) combination per month			UNC1X	UC1D1	\$11.02	\$12.02	\$8.66										
		Nonrecurring Currently Combined Network Elements Switch -As-Is Charge			UNC3X	UNCCC		\$12.97	\$11.27	\$12.61	\$12.61	\$3.5		\$33.63	\$27.49	\$19.88	\$11.85		
		2-WIRE VOICE GRADE EXTENDED LOOP/ 2 WIRE VOICE GRADE INTEROFFICE TRANSPORT (EEL)																	
		2-WireVG Loop used with 2-wire VG Interoffice Transport Combination - Zone 1		1	UNCVX	UEAL2	\$16.84	\$104.17	\$78.1										
		2-WireVG Loop used with 2-wire VG Interoffice Transport Combination - Zone 2		2	UNCVX	UEAL2	\$19.45	\$104.17	\$78.10										
		2-WireVG Loop used with 2-wire VG Interoffice Transport Combination - Zone 3		3	UNCVX	UEAL2	\$30.92	\$104.17	\$78.10										
		Interoffice Transport - Dedicated - 2-wire VG combination - Per Mile Per Month			UNCVX	1L5XX	\$0.0222												
		Interoffice Transport - Dedicated - 2- Wire Voice Grade combination - Facility Termination per month			UNCVX	U1TV2	\$16.45	\$79.61	\$36.08			\$3.50		\$55.4	\$27.36				
		Nonrecurring Currently Combined Network Elements Switch -As-Is Charge			UNCVX	UNCCC		\$12.97	\$11.27	\$12.61	\$12.61	\$3.5		\$33.63	\$27.49	\$19.88	\$11.85		
		4-WIRE VOICE GRADE EXTENDED LOOP/ 4 WIRE VOICE GRADE INTEROFFICE TRANSPORT (EEL)																	
		4-WireVG Loop used with 4-wire VG Interoffice Transport Combination - Zone 1		1	UNCVX	UEAL4	\$22.28	\$206.95	\$170.57										
		4-WireVG Loop used with 4-wire VG Interoffice Transport Combination - Zone 2		2	UNCVX	UEAL4	\$25.7	\$206.95	\$170.57										

BELLSOUTH / METROMEDIA FIBER NETWORK SERVICES RATES
Unbundled Network Elements
GEORGIA

CATEGORY	NOTES	UNBUNDLED NETWORK ELEMENT	Interim	Zone	BCS	USOC	RATES					OSS RATES									
							Rec	First	Add'l	First	Add'l	Svc Order Submitted Elec per LSR	Svc Order Submitted Manually per LSR	Incremental Charge - Manual Svc Order vs. Electronic-1st	Incremental Charge - Manual Svc Order vs. Electronic-Add'l	Incremental Charge - Manual Svc Order vs. Electronic-Disc 1st	Incremental Charge - Manual Svc Order vs. Electronic-Disc Add'l				
																		Nonrecurring		Nonrecurring	
																		Disconnect		Disconnect	
SOMEK	SOMAN	SOMAN	SOMAN	SOMAN	SOMAN																
		4-WireVG Loop used with 4-wire VG Interoffice Transport Combination - Zone 3		3	UNCVX	UEAL4	\$40.86	\$206.95	\$170.57												
		Interoffice Transport - Dedicated - 4-wire VG combination - Per Mile Per Month			UNCVX	1L5XX	\$0.0222														
		Interoffice Transport - Dedicated - 4- Wire Voice Grade combination - Facility Termination per month			UNCVX	U1TV4	\$16.45	\$79.61	\$36.08			\$3.50		\$18.94	\$18.94						
		Nonrecurring Currently Combined Network Elements Switch -As-Is Charge			UNCVX	UNCCC		\$12.97	\$11.27	\$12.61	\$12.61	\$3.5		\$33.63	\$27.49	\$19.88	\$11.85				
		DS3 DIGITAL EXTENDED LOOP WITH DEDICATED DS3 INTEROFFICE TRANSPORT (EEL)																			
		High Capacity Unbundled Local Loop - DS3 combination - Per Mile per month			UNC3X	1L5ND	\$8.90														
		High Capacity Unbundled Local Loop - DS3 combination - Facility Termination per month			UNC3X	UE3PX	\$390.34	\$142.64	\$64.87												
		Interoffice Transport - Dedicated - DS3 - Per Mile per month			UNC3X	1L5XX	\$2.72														
		Interoffice Transport - Dedicated - DS3 combination - Facility Termination per month			UNC3X	U1TF3	\$783.63	\$486.58	\$247.10			\$3.50		\$37.55	\$37.55	\$18.03	\$18.03				
		Nonrecurring Currently Combined Network Elements Switch -As-Is Charge			UNC3X	UNCCC		\$12.97	\$11.27	\$12.61	\$12.61	\$3.5		\$33.63	\$27.49	\$19.88	\$11.85				
		STS1 DIGITAL EXTENDED LOOP WITH DEDICATED STS1 INTEROFFICE TRANSPORT (EEL)																			
		High Capacity Unbundled Local Loop - STS1 combination - Per Mile per month			UNCSX	1L5ND	\$8.90														
		High Capacity Unbundled Local Loop - STS1 combination - Facility Termination per month			UNCSX	UDLS1	\$421.59	\$639.50	\$426.40	\$122.31	\$119.14										
		Interoffice Transport - Dedicated - STS1 combination - Per Mile per month			UNCSX	1L5XX	\$6.46														
		Interoffice Transport - Dedicated - STS1 combination - Facility Termination per month			UNCSX	U1TFS	\$717.60	\$486.58	\$247.1			\$3.50		\$33.67	\$27.49	\$19.88	\$11.85				
		Nonrecurring Currently Combined Network Elements Switch -As-Is Charge			UNCSX	UNCCC		\$12.97	\$11.27	\$12.61	\$12.61	\$3.5		\$33.63	\$27.49	\$19.88	\$11.85				
		2-WIRE ISDN EXTENDED LOOP WITH DS1 INTEROFFICE TRANSPORT (EEL)																			
		First 2-Wire ISDN Loop/DS1 Interoffice Combination Transport - Zone 1		1	UNCNX	U1L2X	\$21.89	\$233.38	\$180.38			\$3.50		\$18.94	\$8.42						
		First 2-Wire ISDN Loop/DS1 Interoffice Combination Transport - Zone 2		2	UNCNX	U1L2X	\$25.27	\$233.38	\$180.38			\$3.50		\$18.94	\$8.42						
		First 2-Wire ISDN Loop/DS1 Interoffice Combination Transport - Zone 3		3	UNCNX	U1L2X	\$40.17	\$233.38	\$180.38			\$3.50		\$18.94	\$8.42						
		Interoffice Transport - Dedicated - DS1 combination - Per Mile			UNC1X	1L5XX	\$0.4523														
		Interoffice Transport - Dedicated - DS1 combination - Facility Termination per month			UNC1X	U1TF1	\$78.47	\$208.04	\$95.99			\$3.50		\$33.63	\$27.49	\$19.88	\$11.85				
		Channelization - Channel System DS1 to DS0 combination - per month			UNC1X	MQ1	\$126.22	\$104.05	\$100.75												
		2-wire ISDN COCI (BRITE) - DS1 to DS0 Channel System combination - per month			UNCNX	UC1CA	\$3.71	\$12.02	\$8.66												
		Additional 2-wire ISDN Loop in same DS1Interoffice Transport Combination - Zone 1		1	UNCNX	U1L2X	\$21.89	\$233.38	\$180.38			\$3.50		\$18.94	\$8.42						
		Additional 2-wire ISDN Loop in same DS1Interoffice Transport Combination - Zone 2		2	UNCNX	U1L2X	\$25.27	\$233.38	\$180.38			\$3.50		\$18.94	\$8.42						
		Additional 2-wire ISDN Loop in same DS1Interoffice Transport Combination - Zone 3		3	UNCNX	U1L2X	\$40.17	\$233.38	\$180.38			\$3.50		\$18.94	\$8.42						
		2-wire ISDN COCI (BRITE) - DS1 to DS0 Channel System combination - per month			UNCNX	UC1CA	\$3.71	\$12.02	\$8.66												
		Nonrecurring Currently Combined Network Elements Switch -As-Is Charge			UNC1X	UNCCC		\$12.97	\$11.27	\$12.61	\$12.61	\$3.5		\$33.63	\$27.49	\$19.88	\$11.85				
		4-WIRE DS1 DIGITAL EXTENDED LOOP WITH DEDICATED STS-1 INTEROFFICE TRANSPORT (EEL)																			
		First DS1 Loop in STS1 Interoffice Transport Combination - Zone 1		1	UNC1X	USLXX	\$55.53	\$309.4	\$201.66			\$3.50		\$33.63	\$27.49	\$19.88	\$11.88				
		First DS1 Loop in STS1 Interoffice Transport Combination - Zone 2		2	UNC1X	USLXX	\$64.13	\$309.40	\$201.66	\$0.00	\$0.00	\$3.50		\$33.63	\$27.49	\$19.88	\$11.88				
		First DS1 Loop in STS1 Interoffice Transport Combination - Zone 3		3	UNC1X	USLXX	\$101.93	\$309.40	\$201.66	\$0.00	\$0.00	\$3.50		\$33.63	\$27.49	\$19.88	\$11.88				

BELLSOUTH / METROMEDIA FIBER NETWORK SERVICES RATES
Unbundled Network Elements
GEORGIA

CATEGORY	NOTES	UNBUNDLED NETWORK ELEMENT	Interim	Zone	BCS	USOC	RATES					OSS RATES					
							Rec	First	Add'l	First	Add'l	Svc Order Submitted Elec per LSR	Svc Order Submitted Manually per LSR	Incremental Charge - Manual Svc Order vs. Electronic-1st	Incremental Charge - Manual Svc Order vs. Electronic-Add'l	Incremental Charge - Manual Svc Order vs. Electronic-Disc 1st	Incremental Charge - Manual Svc Order vs. Electronic-Disc Add'l
		Interoffice Transport - Dedicated - STS1 combination - Per Mile Per Month			UNCSX	1L5XX	\$6.46										
		Interoffice Transport - Dedicated - STS1 combination - Facility Termination			UNCSX	U1TFS	\$717.6	\$486.58	\$247.1		\$3.50		\$33.63	\$27.49	\$19.88	\$11.85	
		STS1 to DS1 Channel System combination per month			UNCSX	MQ3	\$202.91	\$171.01	\$91.55								
		DS3 Interface Unit (DS1 COC) combination per month			UNC1X	UC1D1	\$11.02	\$12.02	\$8.66								
		Additional DS1Loop in STS1 Interoffice Transport Combination - Zone 1		1	UNC1X	USLXX	\$55.53	\$309.40	\$201.66	\$0.00	\$0.00	\$3.50	\$33.63	\$27.49	\$19.88	\$11.88	
		Additional DS1Loop in STS1 Interoffice Transport Combination - Zone 2		2	UNC1X	USLXX	\$64.13	\$309.40	\$201.66	\$0.00	\$0.00	\$3.50	\$33.63	\$27.49	\$19.88	\$11.88	
		Additional DS1Loop in STS1 Interoffice Transport Combination - Zone 3		3	UNC1X	USLXX	\$101.93	\$309.40	\$201.66	\$0.00	\$0.00	\$3.50	\$33.63	\$27.49	\$19.88	\$11.88	
		DS3 Interface Unit (DS1 COC) combination per month			UNC1X	UC1D1	\$11.02	\$12.02	\$8.66								
		Nonrecurring Currently Combined Network Elements Switch -As-Is Charge			UNCSX	UNCCC		\$12.97	\$11.27	\$12.61	\$12.61	\$3.5	\$33.63	\$27.49	\$19.88	\$11.85	
		4-WIRE 56 KBPS DIGITAL EXTENDED LOOP WITH 56 KBPS INTEROFFICE TRANSPORT (EEL)															
		4-wire 56 kbps Loop/4-wire 56 kbps Interoffice Transport Combination - Zone 1		1	UNCDX	UDL56	\$25.75	\$395.14	\$206.98								
		4-wire 56 kbps Loop/4-wire 56 kbps Interoffice Transport Combination - Zone 2		2	UNCDX	UDL56	\$29.74	\$395.14	\$207.0								
		4-wire 56 kbps Loop/4-wire 56 kbps Interoffice Transport Combination - Zone 3		3	UNCDX	UDL56	\$47.27	\$395.14	\$207.0								
		Interoffice Transport - Dedicated - 4-wire 56 kbps combination - Per Mile			UNCDX	1L5XX	\$0.0222										
		Interoffice Transport - Dedicated - 4-wire 56 kbps combination - Facility Termination			UNCDX	U1TD5	\$16.45	\$147.07	\$111.75		\$3.50		\$37.88	\$27.36			
		Nonrecurring Currently Combined Network Elements Switch -As-Is Charge			UNCDX	UNCCC		\$12.97	\$11.27	\$12.61	\$12.61	\$3.5	\$33.63	\$27.49	\$19.88	\$11.85	
		4-WIRE 64 KBPS DIGITAL EXTENDED LOOP WITH 64 KBPS INTEROFFICE TRANSPORT (EEL)															
		4-wire 64 kbps Loop/4-wire 64 kbps Interoffice Transport Combination - Zone 1		1	UNCDX	UDL64	\$25.75	\$395.14	\$206.98								
		4-wire 64 kbps Loop/4-wire 64 kbps Interoffice Transport Combination - Zone 2		2	UNCDX	UDL64	\$29.74	\$395.14	\$206.98								
		4-wire 64 kbps Loop/4-wire 64 kbps Interoffice Transport Combination - Zone 3		3	UNCDX	UDL64	\$47.27	\$395.14	\$206.98								
		Interoffice Transport - Dedicated - 4-wire 64 kbps combination - Per Mile			UNCDX	1L5XX	\$0.0222										
		Interoffice Transport - Dedicated - 4-wire 64 kbps combination - Facility Termination			UNCDX	U1TD6	\$16.45	\$147.07	\$111.75		\$3.50		\$37.55	\$37.55	\$18.03	\$18.03	
		Nonrecurring Currently Combined Network Elements Switch -As-Is Charge			UNCDX	UNCCC		\$12.97	\$11.27	\$11.27	\$12.61	\$3.5	\$33.63	\$27.49	\$19.88	\$11.85	
		ADDITIONAL NETWORK ELEMENTS															
		When used as a part of a currently combined facility, the non-recurring charges do not apply, but a Switch As Is charge does apply.															
		When used as ordinarily combined network elements in Georgia, the non-recurring charges apply and the Switch As Is Charge does not.															
		Node (SynchroNet)															
		Node per month			UNCDX	UNCNT	\$13.98										
		Nonrecurring Currently Combined Network Elements "Switch As Is" Charge (One applies to each combination)															
		2/4-Wire VG Interoffice Channel used in a COMBINATION - "Switch As Is" Conversion Charge			UNCVX	UNCCC		\$12.97	\$11.27	\$12.61	\$12.61	\$3.5	\$33.63	\$27.49	\$19.88	\$11.85	
		56/64 kbps Interoffice Channel used in a COMBINATION - "Switch As Is" Conversion Charge			UNCDX	UNCCC		\$12.97	\$11.27	\$12.61	\$12.61	\$3.5	\$33.63	\$27.49	\$19.88	\$11.85	

BELLSOUTH / METROMEDIA FIBER NETWORK SERVICES RATES
Unbundled Network Elements
GEORGIA

CATEGORY	NOTES	UNBUNDLED NETWORK ELEMENT	Interim	Zone	BCS	USOC	RATES				OSS RATES						
							Rec	First	Add'l	First	Add'l	Svc Order Submitted Elec per LSR	Svc Order Submitted Manually per LSR	Incremental Charge - Manual Svc Order vs. Electronic-1st	Incremental Charge - Manual Svc Order vs. Electronic-Add'l	Incremental Charge - Manual Svc Order vs. Electronic-Disc 1st	Incremental Charge - Manual Svc Order vs. Electronic-Disc Add'l
		DS1 Interoffice Channel used in a COMBINATION - "Switch As Is" Conversion Charge			UNC1X	UNCCC		\$12.97	\$11.27	\$12.61	\$12.61	\$3.5		\$33.63	\$27.49	\$19.88	\$11.85
		DS3 Interoffice Channel used in a COMBINATION - "Switch As Is" Conversion Charge			UNC3X	UNCCC		\$12.97	\$11.27	\$12.61	\$12.61	\$3.5		\$33.63	\$27.49	\$19.88	\$11.85
		STS1 Interoffice or Local Loop used in a COMBINATION - "Switch As Is" Conversion Charge			UNCSX	UNCCC		\$12.97	\$11.27	\$12.61	\$12.61	\$3.5		\$33.63	\$27.49	\$19.88	\$11.85
		NOTE: Local Channel - Dedicated Transport - minimum billing period - Below DS3=one month, DS3 and above=four months															
		Local Channel - Dedicated - 2-Wire Voice Grade per month			UNCXV	ULDV2		\$13.91	\$382.95	\$62.4		\$3.5		\$18.94	\$8.42		
		Local Channel - Dedicated - 4-Wire Voice Grade per month			UNCXV	ULDV4		\$14.99	\$368.44	\$64.05	\$0.00	\$0.00	\$3.5	\$18.94	\$8.42		
		Local Channel - Dedicated - DS1 Per Month			UNC1X	ULDF1		\$38.36	\$182.76	\$94.71							
		Local Channel - Dedicated - DS3 - Per Mile per month			UNC3X	1L5NC		\$6.92									
		Local Channel - Dedicated - DS3 - Facility Termination per month			UNC3X	ULDF3		\$515.91	\$639.5	\$426.31	\$122.31	\$119.14	\$3.50	\$37.55	\$37.55	\$18.03	\$18.03
		Local Channel - Dedicated - STS-1 - Per Mile per month			UNCSX	1L5NC		\$6.92									
		Local Channel - Dedicated - STS-1 - Facility Termination per month			UNCSX	ULDFS		\$517.56	\$639.5	\$515.91	\$426.31	\$122.31	\$3.50	\$37.55	\$37.55	\$18.03	\$18.03

BELLSOUTH / METROMEDIA FIBER NETWORK SERVICES RATES
Unbundled Network Elements
KENTUCKY

CATEGORY	NOTES	UNBUNDLED NETWORK ELEMENT	Interim	Zone	BCS	USOC	RATES					OSS RATES						
							Rec	First	Add'l	Nonrecuring	Disconnect First	Add'l	Svc Order Submitted Elec per LSR	Svc Order Submitted Manually per LSR	Incremental Charge - Manual Svc Order vs. Electronic-1st	Incremental Charge - Manual Svc Order vs. Electronic-Add'l	Incremental Charge - Manual Svc Order vs. Electronic-Disc 1st	Incremental Charge - Manual Svc Order vs. Electronic-Disc Add'l
Geographically Deaveraged UNE Zones and applicable rates have been established for certain services, as shown in this Agreement. Where Geographically Deaveraged UNE Zones and applicable rates are established, Statewide rates are obsolete. Further, BellSouth is in the process of enhancing its billing systems in order to accommodate this Geographically Deaveraged UNE Zone Rate Structure. Until these enhancements are accomplished, estimated to be mid 2001, the UNE Zone 1 rate will be billed for all services residing in Zones 1, 2, 3 or 4, i.e., Rates for services residing in UNE Zones 2, 3 and UNE Zone 4, where applicable, will not be billed. Once billing enhancements are complete, all applicable UNE Zone rates reflected in this Agreement will be billed. Reference Internet Website http://www.interconnection.bellsouth.com/become_clec/docs/interconnection/deavuzns.pdf to view Geographically Deaveraged UNE Zone Designations by Central Office.																		
UNBUNDLED EXCHANGE ACCESS LOOP																		
2-WIRE ANALOG VOICE GRADE LOOP																		
		2-Wire Analog Voice Grade Loop - Service Level 1- Zone 1		1	UEANL	UEAL2	\$13.54	\$70.44	\$44.05	\$46.93	\$10.40	\$3.50	\$19.99		\$3.94	\$3.94		
		2-Wire Analog Voice Grade Loop - Service Level 1- Zone 2		2	UEANL	UEAL2	\$19.73	\$70.44	\$44.05	\$46.93	\$10.40	\$3.50	\$19.99		\$3.94	\$3.94		
		2-Wire Analog Voice Grade Loop - Service Level 1- Zone 3		3	UEANL	UEAL2	\$28.27	\$70.44	\$44.05	\$46.93	\$10.40	\$3.50	\$19.99		\$3.94	\$3.94		
		Engineering Information Document (EI)			UEANL			\$28.76	\$28.76									
		Manual Order Coordination for UVL-SL1s (per loop)*			UEANL	UEAMC		\$16.31	\$16.31									
		Order Coordination for Specified Conversion Time for UVL-SL1 (per LSR) *			UEANL	OCOSL		\$36.18	\$36.18									
		2-Wire Analog Voice Grade Loop - Service Level 2 w/Loop or Ground Start Signaling - Zone 1		1	UEA	UEAL2	\$17.27	\$236.75	\$177.10			\$3.50	\$19.99					
		2-Wire Analog Voice Grade Loop - Service Level 2 w/Loop or Ground Start Signaling - Zone 2		2	UEA	UEAL2	\$32.32	\$236.75	\$177.10			\$3.50	\$19.99					
		2-Wire Analog Voice Grade Loop - Service Level 2 w/Loop or Ground Start Signaling - Zone 3		3	UEA	UEAL2	\$55.78	\$236.75	\$177.10			\$3.50	\$19.99					
		Order Coordination for Specified Conversion Time (per LSR)			UEA	OCOSL		\$36.18										
		2-Wire Analog Voice Grade Loop - Service Level 2 w/Reverse Battery Signaling - Zone 1		1	UEA	UEAR2	\$17.27	\$236.75	\$177.10			\$3.50	\$19.99					
		2-Wire Analog Voice Grade Loop - Service Level 2 w/Reverse Battery Signaling - Zone 2		2	UEA	UEAR2	\$32.32	\$236.75	\$177.10			\$3.50	\$19.99					
		2-Wire Analog Voice Grade Loop - Service Level 2 w/Reverse Battery Signaling - Zone 3		3	UEA	UEAR2	\$55.78	\$236.75	\$177.10			\$3.50	\$19.99					
		Order Coordination for Specified Conversion Time (per LSR)			UEA	OCOSL		\$36.18										
4-WIRE ANALOG VOICE GRADE LOOP																		
		4-Wire Analog Voice Grade Loop - Zone 1		1	UEA	UEAL4	\$20.92	\$457.14	\$348.83			\$3.50	\$19.99					
		4-Wire Analog Voice Grade Loop - Zone 2		2	UEA	UEAL4	\$39.14	\$457.14	\$348.83			\$3.50	\$19.99					
		4-Wire Analog Voice Grade Loop - Zone 3		3	UEA	UEAL4	\$67.57	\$457.14	\$348.83			\$3.50	\$19.99					
		Order Coordination for Specified Conversion Time (per LSR)			UEA	OCOSL		\$36.18										
2-WIRE ISDN DIGITAL GRADE LOOP																		
		2-Wire ISDN Digital Grade Loop - Zone 1		1	UDN	U1L2X	\$23.86	\$541.28	\$431.61			\$3.50	\$19.99					
		2-Wire ISDN Digital Grade Loop - Zone 2		2	UDN	U1L2X	\$44.28	\$541.28	\$431.61			\$3.50	\$19.99					
		2-Wire ISDN Digital Grade Loop - Zone 3		3	UDN	U1L2X	\$76.42	\$541.28	\$431.61			\$3.50	\$19.99					
		Order Coordination For Specified Conversion Time (per LSR)			UDN	OCOSL		\$36.18										
2-WIRE Universal Digital Channel (UDC) COMPATIBLE LOOP																		
		2-Wire Universal Digital Channel (UDC) Compatible Loop - Zone 1		1	UDC	UDC2X	\$25.73	\$233.47	\$158.51	\$105.49	\$20.48	\$3.50	\$19.99					
		2-Wire Universal Digital Channel (UDC) Compatible Loop - Zone 2		2	UDC	UDC2X	\$34.83	\$233.47	\$158.51	\$105.49	\$20.48	\$3.50	\$19.99					
		2-Wire Universal Digital Channel (UDC) Compatible Loop - Zone 3		3	UDC	UDC2X	\$45.56	\$233.47	\$158.51	\$105.49	\$20.48	\$3.50	\$19.99					
2-WIRE ASYMMETRICAL DIGITAL SUBSCRIBER LINE (ADSL) COMPATIBLE LOOP																		
		2 Wire Unbundled ADSL Loop including manual service inquiry & facility reservation - Zone 1		1	UAL	UAL2X	\$8.79	\$713.50	\$609.44			\$3.50	\$19.99					
		2 Wire Unbundled ADSL Loop including manual service inquiry & facility reservation - Zone 2		2	UAL	UAL2X	\$16.46	\$713.50	\$609.44			\$3.50	\$19.99					
		2 Wire Unbundled ADSL Loop including manual service inquiry & facility reservation - Zone 3		3	UAL	UAL2X	\$28.40	\$713.50	\$609.44			\$3.50	\$19.99					
		Order Coordination for Specified Conversion Time (per LSR)			UAL	OCOSL		\$36.18										
		2 Wire Unbundled ADSL Loop without manual service inquiry & facility reservation - Zone 1		1	UAL	UAL2W	\$8.79	\$205.25	\$129.42	\$100.89	\$15.88	\$3.50	\$19.99					

BELLSOUTH / METROMEDIA FIBER NETWORK SERVICES RATES
Unbundled Network Elements
KENTUCKY

CATEGORY	NOTES	UNBUNDLED NETWORK ELEMENT	Interim	Zone	BCS	USOC	RATES					OSS RATES									
							Rec	First	Add'l	First	Add'l	Svc Order Submitted Elec per LSR	Svc Order Submitted Manually per LSR	Incremental Charge - Manual Svc Order vs. Electronic-1st	Incremental Charge - Manual Svc Order vs. Electronic-Add'l	Incremental Charge - Manual Svc Order vs. Electronic-Disc 1st	Incremental Charge - Manual Svc Order vs. Electronic-Disc Add'l				
																		Nonrecurring		Nonrecurring	
																		Disconnect			
SOMEK	SOMAN	SOMAN	SOMAN	SOMAN	SOMAN																
		2 Wire Unbundled ADSL Loop without manual service inquiry & facility reservation - Zone 2		2	UAL	UAL2W	\$16.46	\$205.25	\$129.42	\$100.89	\$15.88	\$3.50	\$19.99								
		2 Wire Unbundled ADSL Loop without manual service inquiry & facility reservation - Zone 3		3	UAL	UAL2W	\$28.40	\$205.25	\$129.42	\$100.89	\$15.88	\$3.50	\$19.99								
		Order Coordination for Specified Conversion Time (per LSR)			UAL	OCOSL		\$36.18													
		2-WIRE HIGH BIT RATE DIGITAL SUBSCRIBER LINE (HDSL) COMPATIBLE LOOP																			
		2-WIRE HIGH BIT RATE DIGITAL SUBSCRIBER LINE (HDSL) COMPATIBLE LOOP																			
		2 Wire Unbundled HDSL Loop including manual service inquiry & facility reservation - Zone 1		1	UHL	UHL2X	\$6.29	\$713.50	\$609.44			\$3.50	\$19.99								
		2 Wire Unbundled HDSL Loop including manual service inquiry & facility reservation - Zone 2		2	UHL	UHL2X	\$11.78	\$713.50	\$609.44			\$3.50	\$19.99								
		2 Wire Unbundled HDSL Loop including manual service inquiry & facility reservation - Zone 3		3	UHL	UHL2X	\$20.33	\$713.50	\$609.44			\$3.50	\$19.99								
		Order Coordination for Specified Conversion Time			UHL	OCOSL		\$36.18													
		2 Wire Unbundled HDSL Loop without manual service inquiry and facility reservation - Zone 1		1	UHL	UHL2W	\$6.29	\$222.58	\$146.75	\$100.89	\$15.88	\$3.50	\$19.99								
		2 Wire Unbundled HDSL Loop without manual service inquiry and facility reservation - Zone 2		2	UHL	UHL2W	\$11.78	\$222.58	\$146.75	\$100.89	\$15.88	\$3.50	\$19.99								
		2 Wire Unbundled HDSL Loop without manual service inquiry and facility reservation - Zone 3		3	UHL	UHL2W	\$20.33	\$222.58	\$146.75	\$100.89	\$15.88	\$3.50	\$19.99								
		Order Coordination for Specified Conversion Time			UHL	OCOSL		\$36.18													
		4-WIRE HIGH BIT RATE DIGITAL SUBSCRIBER LINE (HDSL) COMPATIBLE LOOP																			
		4 Wire Unbundled HDSL Loop including manual service inquiry and facility reservation - Zone 1		1	UHL	UHL4X	\$7.68	\$748.93	\$646.17			\$3.50	\$19.99								
		4-Wire Unbundled HDSL Loop including manual service inquiry and facility reservation - Zone 2		2	UHL	UHL4X	\$14.38	\$748.93	\$646.17			\$3.50	\$19.99			\$3.94					
		4-Wire Unbundled HDSL Loop including manual service inquiry and facility reservation - Zone 3		3	UHL	UHL4X	\$24.82	\$748.93	\$646.17			\$3.50	\$19.99								
		Order Coordination for Specified Conversion Time			UHL	OCOSL		\$36.18													
		4-Wire Unbundled HDSL Loop without manual service inquiry and facility reservation - Zone 1		1	UHL	UHL4W	\$7.68	\$279.79	\$203.96	\$109.64	\$20.64	\$3.50	\$19.99								
		4-Wire Unbundled HDSL Loop without manual service inquiry and facility reservation - Zone 2		2	UHL	UHL4W	\$14.38	\$279.79	\$203.96	\$109.64	\$20.64	\$3.50	\$19.99								
		4-Wire Unbundled HDSL Loop without manual service inquiry and facility reservation - Zone 3		3	UHL	UHL4W	\$24.82	\$279.79	\$203.96	\$109.64	\$20.64	\$3.50	\$19.99								
		Order Coordination for Specified Conversion Time			UHL	OCOSL		\$36.18													
		4-WIRE DS1 DIGITAL LOOP																			
		4-Wire DS1 Digital Loop - Zone 1		1	USL	USLXX	\$50.26	\$849.80	\$523.27			\$3.50	\$19.99								
		4-Wire DS1 Digital Loop - Zone 2		2	USL	USLXX	\$94.06	\$849.80	\$523.27			\$3.50	\$19.99								
		4-Wire DS1 Digital Loop - Zone 3		3	USL	USLXX	\$162.34	\$849.80	\$523.27			\$3.50	\$19.99								
		Order Coordination for Specified Conversion Time			USL	OCOSL		\$36.18													
		4-WIRE 19.2, 56 OR 64 KBPS DIGITAL GRADE LOOP																			
		4 Wire Unbundled Digital 19.2 Kbps		1	UDL	UDL19	\$35.92	\$250.99	\$176.03	\$116.85	\$27.85	\$3.5	\$19.99								
		4 Wire Unbundled Digital 19.2 Kbps		2	UDL	UDL19	\$40.32	\$250.99	\$176.03	\$116.85	\$27.85	\$3.5	\$19.99								
		4 Wire Unbundled Digital 19.2 Kbps		3	UDL	UDL19	\$37.9	\$250.99	\$176.03	\$116.85	\$27.85	\$3.5	\$19.99								
		4 Wire Unbundled Digital Loop 56 Kbps - Zone 1		1	UDL	UDL56	\$35.92	\$250.99	\$176.03	\$116.85	\$27.85	\$3.50	\$19.99								
		4 Wire Unbundled Digital Loop 56 Kbps - Zone 2		2	UDL	UDL56	\$40.32	\$250.99	\$176.03	\$116.85	\$27.85	\$3.50	\$19.99								
		4 Wire Unbundled Digital Loop 56 Kbps - Zone 3		3	UDL	UDL56	\$37.90	\$250.99	\$176.03	\$116.85	\$27.85	\$3.50	\$19.99								
		Order Coordination for Specified Conversion Time			UDL	OCOSL		\$36.18													
		4 Wire Unbundled Digital Loop 64 Kbps - Zone 1		1	UDL	UDL64	\$35.92	\$250.99	\$176.03	\$116.85	\$27.85	\$3.50	\$19.99								
		4 Wire Unbundled Digital Loop 64 Kbps - Zone 2		2	UDL	UDL64	\$40.32	\$250.99	\$176.03	\$116.85	\$27.85	\$3.50	\$19.99								
		4 Wire Unbundled Digital Loop 64 Kbps - Zone 3		3	UDL	UDL64	\$37.90	\$250.99	\$176.03	\$116.85	\$27.85	\$3.50	\$19.99								
		Order Coordination for Specified Conversion Time			UDL	OCOSL		\$36.18													
		2-WIRE Unbundled COPPER LOOP																			
		2-Wire Unbundled Copper Loop/Short including manual service inquiry & facility reservation - Zone 1		1	UCL	UCLPB	\$14.94	\$283.77	\$164.04	\$120.6	\$22.45	\$3.50	\$19.99								
		2-Wire Unbundled Copper Loop/Short including manual service inquiry & facility reservation - Zone 2		2	UCL	UCLPB	\$15.15	\$283.77	\$164.04	\$120.6	\$22.45	\$3.50	\$19.99								

BELLSOUTH / METROMEDIA FIBER NETWORK SERVICES RATES
Unbundled Network Elements
KENTUCKY

CATEGORY	NOTES	UNBUNDLED NETWORK ELEMENT	Interim	Zone	BCS	USOC	RATES					OSS RATES															
							Rec	First	Add'l	First	Add'l	SOMEK	SOMAN	SOMAN	SOMAN	SOMAN	SOMAN	Svc Order Submitted Elec per LSR	Svc Order Submitted Manually per LSR	Incremental Charge - Manual Svc Order vs. Electronic-1st	Incremental Charge - Manual Svc Order vs. Electronic-Add'l	Incremental Charge - Manual Svc Order vs. Electronic-Disc 1st	Incremental Charge - Manual Svc Order vs. Electronic-Disc Add'l				
																								Nonrecurring		Nonrecurring	
																								Disconnect	Add'l	Disconnect	Add'l
		2-Wire Unbundled Copper Loop/Short including manual service inquiry & facility reservation - Zone 3		3	UCL	UCLPB	\$15.73	\$283.77	\$164.04	\$120.6	\$22.45	\$3.50	\$19.99														
		Order Coordination for Unbundled Copper Loops (per loop)			UCL	UCLMC		\$16.31	\$16.31																		
		2-Wire Unbundled Copper Loop/Short without manual service inquiry and facility reservation - Zone 1		1	UCL	UCLPW	\$14.94	\$203.39	\$127.56	\$100.89	\$15.88	\$3.50	\$19.99														
		2-Wire Unbundled Copper Loop/Short without manual service inquiry and facility reservation - Zone 2		2	UCL	UCLPW	\$15.15	\$203.39	\$127.56	\$100.89	\$15.88	\$3.50	\$19.99														
		2-Wire Unbundled Copper Loop/Short without manual service inquiry and facility reservation - Zone 3		3	UCL	UCLPW	\$15.73	\$203.39	\$127.56	\$100.89	\$15.88	\$3.50	\$19.99														
		Order Coordination for Unbundled Copper Loops (per loop)			UCL	UCLMC		\$16.31	\$16.31																		
		2-Wire Unbundled Copper Loop/Long - includes manual svc. inquiry and facility reservation - Zone 1		1	UCL	UCL2L	\$36.19	\$270.38	\$150.65	\$120.6	\$22.45	\$3.50	\$19.99														
		2-Wire Unbundled Copper Loop/Long - includes manual svc. inquiry and facility reservation - Zone 2		2	UCL	UCL2L	\$49.31	\$270.38	\$150.65	\$120.6	\$22.45	\$3.50	\$19.99														
		2-Wire Unbundled Copper Loop/Long - includes manual svc. inquiry and facility reservation - Zone 3		3	UCL	UCL2L	\$80.78	\$270.38	\$150.65	\$120.6	\$22.45	\$3.50	\$19.99														
		Order Coordination for Unbundled Copper Loops (per loop)			UCL	UCLMC		\$16.31	\$16.31																		
		2-Wire Unbundled Copper Loop/Long - without manual service inquiry and facility reservation - Zone 1		1	UCL	UCL2W	\$36.19	\$190.000	\$114.17	\$100.89	\$15.88	\$3.50	\$19.99														
		2-Wire Unbundled Copper Loop/Long - without manual service inquiry and facility reservation - Zone 2		2	UCL	UCL2W	\$49.31	\$190.000	\$114.17	\$100.89	\$15.88	\$3.50	\$19.99														
		2-Wire Unbundled Copper Loop/Long - without manual service inquiry and facility reservation - Zone 3		3	UCL	UCL2W	\$80.78	\$190.000	\$114.17	\$100.89	15.88	\$3.50	\$19.99														
		Order Coordination for Unbundled Copper Loops (per loop)			UCL	UCLMC		\$16.31	\$16.31																		
		2-Wire Unbundled Copper Loop - Non-Designed Zone 1	I	1	UEQ	UEQ2X	\$11.01	\$44.69	\$22.40	\$25.65	\$7.06	\$3.50	\$19.99														
		2-Wire Unbundled Copper Loop - Non-Designed - Zone 2	I	2	UEQ	UEQ2X	\$12.67	\$44.69	\$22.40	\$25.65	\$7.06	\$3.50	\$19.99														
		2-Wire Unbundled Copper Loop - Non-Designed - Zone 3	I	3	UEQ	UEQ2X	\$20.22	\$44.69	\$22.40	\$25.65	\$7.06	\$3.50	\$19.99														
		Order Coordination 2 Wire Unbundled Copper Loop - Non-Designed (per loop)			UEQ	USBMC		\$16.31	\$16.31																		
		Engineering Information Document			UEQ			\$28.76	\$28.76																		
		Loop Testing - Basic 1st Half Hour			UEQ	URET1		\$78.92	\$78.92																		
		Loop Testing - Basic Additional Half Hour			UEQ	URETA		\$23.33	\$23.33																		
		4-WIRE COPPER LOOP																									
		4-Wire Copper Loop/Short - including manual service inquiry and facility reservation - Zone 1		1	UCL	UCL4S	\$25.26	\$332.2	\$212.46	\$130.27	\$27.51	\$3.50	\$19.99														
		4-Wire Copper Loop/Short - including manual service inquiry and facility reservation - Zone 2		2	UCL	UCL4S	\$23.00	\$332.2	\$212.46	\$130.27	\$27.51	\$3.50	\$19.99														
		4-Wire Copper Loop/Short - including manual service inquiry and facility reservation - Zone 3		3	UCL	UCL4S	\$19.08	\$332.2	\$212.46	\$130.27	\$27.51	\$3.50	\$19.99														
		Order Coordination for Unbundled Copper Loops (per loop)			UCL	UCLMC		\$16.31	\$16.31																		
		4-Wire Copper Loop/Short - without manual service inquiry and facility reservation - Zone 1		1	UCL	UCL4W	\$25.26	\$251.82	\$175.99	\$109.64	\$20.64	\$3.50	\$19.99														
		4-Wire Copper Loop/Short - without manual service inquiry and facility reservation - Zone 2		2	UCL	UCL4W	\$23.00	\$251.82	\$175.99	\$109.64	\$20.64	\$3.50	\$19.99														
		4-Wire Copper Loop/Short - without manual service inquiry and facility reservation - Zone 3		3	UCL	UCL4W	\$19.08	\$251.82	\$175.99	\$109.64	\$20.64	\$3.50	\$19.99														
		Order Coordination for Unbundled Copper Loops (per loop)			UCL	UCLMC		\$16.31	\$16.31																		
		4-Wire Unbundled Copper Loop/Long - includes manual svc. inquiry and facility reservation - Zone 1		1	UCL	UCL4L	\$61.02	\$318.81	\$199.07	\$130.27	\$27.51	\$3.50	\$19.99														
		4-Wire Unbundled Copper Loop/Long - includes manual svc. inquiry and facility reservation - Zone 2		2	UCL	UCL4L	\$55.74	\$318.81	\$199.07	\$130.27	\$27.51	\$3.50	\$19.99														
		4-Wire Unbundled Copper Loop/Long - includes manual svc. inquiry and facility reservation - Zone 3		3	UCL	UCL4L	\$88.97	\$318.81	\$199.07	\$130.27	\$27.51	\$3.50	\$19.99														
		Order Coordination for Unbundled Copper Loops (per loop)			UCL	UCLMC		\$16.31	\$16.31																		
		4-Wire Unbundled Copper Loop/Long - without manual svc. inquiry and facility reservation - Zone 1		1	UCL	UCL4O	\$61.02	\$238.42	\$162.6	\$109.64	\$20.64	\$3.50	\$19.99														
		4-Wire Unbundled Copper Loop/Long - without manual svc. inquiry and facility reservation - Zone 2		2	UCL	UCL4O	\$55.74	\$238.42	\$162.6	\$109.64	\$20.64	\$3.50	\$19.99														
		4-Wire Unbundled Copper Loop/Long - without manual svc. inquiry and facility reservation - Zone 3		3	UCL	UCL4O	\$88.97	\$238.42	\$162.6	\$109.64	\$20.64	\$3.50	\$19.99														
		Order Coordination for Unbundled Copper Loops (per loop)			UCL	UCLMC		\$16.31	\$16.31																		

BELLSOUTH / METROMEDIA FIBER NETWORK SERVICES RATES
Unbundled Network Elements
KENTUCKY

CATEGORY	NOTES	UNBUNDLED NETWORK ELEMENT	Interim	Zone	BCS	USOC	RATES				OSS RATES									
							Rec	First	Add'l	Disconnect	Svc Order Submitted Elec per LSR	Svc Order Submitted Manually per LSR	Incremental Charge - Manual Svc Order vs. Electronic-1st	Incremental Charge - Manual Svc Order vs. Electronic-Add'l	Incremental Charge - Manual Svc Order vs. Electronic-Disc 1st	Incremental Charge - Manual Svc Order vs. Electronic-Disc Add'l				
																	First	Add'l	First	Add'l
LOOP MODIFICATION																				
		Unbundled Loop Modification, Removal of Load Coils - 2 Wire pair less than or equal to 18k ft			UAL, UHL, UCL, UEQ	ULM2L		\$65.2	\$65.2											
		Unbundled Loop Modification, Removal of Load Coils - 2 wire greater than 18k ft			UCL	ULM2G		\$341.64	\$341.64											
		Unbundled Loop Modification Removal of Load Coils - 4 Wire less than or equal to 18K ft			UHL, UCL	ULM4L		\$65.2	\$65.2											
		Unbundled Loop Modification Removal of Load Coils - 4 Wire pair greater than 18k ft			UCL	ULM4G		\$341.64	\$341.64											
		Unbundled Loop Modification Removal of Bridged Tap Removal, per unbundled loop			UAL, UHL, UCL, UEQ, UEF	ULMBT		\$65.24	\$65.24											
SUB-LOOPS																				
		Sub-Loop Distribution																		
		Sub-Loop - Per Cross Box Location - CLEC Feeder Facility Set-Up		1		UEANL	USBSA	\$600.03	\$600.03			\$3.50	\$19.99					\$3.94	\$3.94	
		Sub-Loop - Per Cross Box Location - Per 25 Pair Panel Set-Up		1		UEANL	USBSB	\$45.28	\$45.28			\$3.50	\$19.99					\$3.94	\$3.94	
		Sub-Loop - Per Building Equipment Room - CLEC Feeder Facility Set-Up		1		UEANL	USBSC	\$379.89	\$379.89			\$3.50	\$19.99					\$3.94	\$3.94	
		Sub-Loop - Per Building Equipment Room - Per 25 Pair Panel Set-Up		1		UEANL	USBSD	\$111.55	\$111.55			\$3.50	\$19.99					\$3.94	\$3.94	
		Sub-Loop Distribution Per 2-Wire Analog Voice Grade Loop - Zone 1		1	1	UEANL	USBN2	\$9.03	\$131.64	\$61.93	\$90.83	\$13.44	\$3.50	\$19.99				\$3.94	\$3.94	
		Sub-Loop Distribution Per 2-Wire Analog Voice Grade Loop - Zone 2		1	2	UEANL	USBN2	\$12.25	\$131.64	\$61.93	\$90.83	\$13.44	\$3.50	\$19.99				\$3.94	\$3.94	
		Sub-Loop Distribution Per 2-Wire Analog Voice Grade Loop - Zone 3		1	3	UEANL	USBN2	\$16.71	\$131.64	\$61.93	\$90.83	\$13.44	\$3.50	\$19.99				\$3.94	\$3.94	
		Order Coordination for Unbundled Sub-Loops, per sub-loop pair				UEANL	USBMC	\$36.18	\$36.18											
		Sub-Loop Distribution Per 4-Wire Analog Voice Grade Loop - Zone 1		1	1	UEANL	USBN4	\$10.18	\$158.12	\$88.41	\$99.10	\$18.08	\$3.50	\$19.99				\$3.94	\$3.94	
		Sub-Loop Distribution Per 4-Wire Analog Voice Grade Loop - Zone 2		1	2	UEANL	USBN4	\$9.44	\$158.12	\$88.41	\$99.10	\$18.08	\$3.50	\$19.99				\$3.94	\$3.94	
		Sub-Loop Distribution Per 4-Wire Analog Voice Grade Loop - Zone 3		1	3	UEANL	USBN4	\$13.38	\$158.12	\$88.41	\$99.10	\$18.08	\$3.50	\$19.99				\$3.94	\$3.94	
		Order Coordination for Unbundled Sub-Loops, per sub-loop pair				UEANL	USBMC	\$36.18	\$36.18											
		Sub-Loop 2-Wire Intra-building Network Cable (INC)		1		UEANL	USBR2	\$3.23	\$106.06	\$36.35	\$90.83	\$13.44	\$3.50	\$19.99				\$3.94	\$3.94	
		Order Coordination for Unbundled Sub-Loops, per sub-loop pair				UEANL	USBMC	\$36.18	\$36.18											
		Sub-Loop 4-Wire Intra-building Network Cable (INC)		1		UEANL	USBR4	\$6.29	\$118.54	\$48.84	\$99.10	\$18.08	\$3.50	\$19.99				\$3.94	\$3.94	
		Order Coordination for Unbundled Sub-Loops, per sub-loop pair				UEANL	USBMC	\$36.18	\$36.18											
		2 Wire Copper Unbundled Sub-Loop Distribution - Zone 1		1	1	UEF	UCS2X	\$8.01	\$131.64	\$61.93	\$90.83	\$13.44	\$3.50	\$19.99				\$3.94	\$3.94	
		2 Wire Copper Unbundled Sub-Loop Distribution - Zone 2		1	2	UEF	UCS2X	\$9.18	\$131.64	\$61.93	\$90.83	\$13.44	\$3.50	\$19.99				\$3.94	\$3.94	
		2 Wire Copper Unbundled Sub-Loop Distribution - Zone 3		1	3	UEF	UCS2X	\$11.02	\$131.64	\$61.93	\$90.83	\$13.44	\$3.50	\$19.99				\$3.94	\$3.94	
		Order Coordination for Unbundled Sub-Loops, per sub-loop pair				UEF	USBMC	\$36.18	\$36.18											
		4 Wire Copper Unbundled Sub-Loop Distribution - Zone 1		1	1	UEF	UCS4X	\$10.65	\$158.12	\$88.41	\$99.10	\$18.08	\$3.50	\$19.99				\$3.94	\$3.94	
		4 Wire Copper Unbundled Sub-Loop Distribution - Zone 2		1	2	UEF	UCS4X	\$9.71	\$158.12	\$88.41	\$99.10	\$18.08	\$3.50	\$19.99				\$3.94	\$3.94	
		4 Wire Copper Unbundled Sub-Loop Distribution - Zone 3		1	3	UEF	UCS4X	\$8.45	\$158.12	\$88.41	\$99.10	\$18.08	\$3.50	\$19.99				\$3.94	\$3.94	
		Order Coordination for Unbundled Sub-Loops, per sub-loop pair				UEF	USBMC	\$36.18	\$36.18											
		Sub-Loop Feeder																		
		USL-Feeder, DS0 Set-up per Cross Box location - CLEC Distribution Facility set-up				UEA, UDN,UCL,UDL,UDC	USBFW	\$600.03												
		USL Feeder - DS0 Set-up per Cross Box location - per 25 pair set-up				UEA, UDN,UCL,UDL,UDC	USBFX	\$45.28	\$45.28											
		USL Feeder DS1 Set-up at DSX location, per DS1 termination				USL	USBFZ	\$527.98	\$11.32											
		Unbundled Sub-Loop Feeder Loop, 2 Wire Ground Start, Voice Grade - Zone 1		1		UEA	USBFA	\$10.36	\$184.97	\$111.91	\$108.76	\$26.76	\$3.50	\$19.99						
		Unbundled Sub-Loop Feeder Loop, 2 Wire Ground-Start, Voice Grade - Zone 2		2		UEA	USBFA	\$13.62	\$184.97	\$111.91	\$108.76	\$26.76	\$3.50	\$19.99						
		Unbundled Sub-Loop Feeder Loop, Per 2 Wire Ground-Start, Voice Grade - Zone 3		3		UEA	USBFA	\$19.69	\$184.97	\$111.91	\$108.76	\$26.76	\$3.50	\$19.99						
		Order Coordination for Specified Conversion Time, per LSR				UEA	OCOSL	\$36.18												
		Unbundle Sub-Loop Feeder Loop, 2 Wire Loop-Start, Voice Grade - Zone 1		1		UEA	USBFB	\$10.36	\$184.97	\$111.91	\$108.76	\$26.76	\$3.50	\$19.99						
		Unbundled Sub-Loop Feeder Loop, 2 Wire Loop-Start, Voice Grade - Zone 2		2		UEA	USBFB	\$13.62	\$184.97	\$111.91	\$108.76	\$26.76	\$3.50	\$19.99						
		Unbundled Sub-Loop Feeder Loop, 2 Wire Start Loop, Voice Grade - Zone 3		3		UEA	USBFB	\$19.69	\$184.97	\$111.91	\$108.76	\$26.76	\$3.50	\$19.99						
		Order Coordination for Specified Time Conversion, per LSR				UEA	OCOSL	\$36.18												
		Unbundled Sub-Loop Feeder Loop, 2 Wire Reverse Battery, Voice Grade - Zone 1		1		UEA	USBFC	\$10.36	\$184.97	\$111.91	\$108.76	\$26.76	\$3.50	\$19.99						

BELLSOUTH / METROMEDIA FIBER NETWORK SERVICES RATES
Unbundled Network Elements
KENTUCKY

CATEGORY	NOTES	UNBUNDLED NETWORK ELEMENT	Interim	Zone	BCS	USOC	RATES					OSS RATES															
							Rec	First	Add'l	First	Add'l	SOMEK	SOMAN	SOMAN	SOMAN	SOMAN	SOMAN	Svc Order Submitted Elec per LSR	Svc Order Submitted Manually per LSR	Incremental Charge - Manual Svc Order vs. Electronic-1st	Incremental Charge - Manual Svc Order vs. Electronic-Add'l	Incremental Charge - Manual Svc Order vs. Electronic-Disc 1st	Incremental Charge - Manual Svc Order vs. Electronic-Disc Add'l				
																								Nonrecurring		Nonrecurring	
																								Disconnect			
		Unbundled Sub-Loop Feeder Loop, 2 Wire Reverse Battery, Voice Grade - Zone 2		2	UEA	USBFC	\$13.62	\$184.97	\$111.91	\$108.76	\$26.76	\$3.50	\$19.99														
		Unbundled Sub-Loop Feeder Loop, 2 Wire Analog Reverse Battery, Voice Grade - Zone 3		3	UEA	USBFC	\$19.69	\$184.97	\$111.91	\$108.76	\$26.76	\$3.50	\$19.99														
		Order Coordination For Specified Conversion Time, per LSR			UEA	OCOSL		\$36.18																			
		Unbundled Sub-Loop Feeder Loop, 4 Wire Ground-Start, Voice Grade - Zone 1		1	UEA	USBFD	\$30.69	\$213.56	\$138.6	\$122.64	\$33.64	\$3.50	\$19.99														
		Unbundled Sub-Loop Feeder Loop, 4 Wire Ground-Start, Voice Grade - Zone 2		2	UEA	USBFD	\$36.12	\$213.56	\$138.6	\$122.64	\$33.64	\$3.50	\$19.99														
		Unbundled Sub-Loop Feeder Loop, 4 Wire Ground Start, Voice Grade - Zone 3		3	UEA	USBFD	\$22.90	\$213.56	\$138.6	\$122.64	\$33.64	\$3.50	\$19.99														
		Order Coordination For Specified Conversion Time, Per LSR			UEA	OCOSL		\$36.18																			
		Unbundled Sub-Loop Feeder Loop, 4 Wire Loop-Start, Voice Grade - Zone 1		1	UEA	USBFE	\$30.69	\$213.56	\$138.6	\$122.64	\$33.64	\$3.50	\$19.99														
		Unbundled Sub-Loop Feeder Loop, 4 Wire Loop-Start, Voice Grade - Zone 2		2	UEA	USBFE	\$36.12	\$213.56	\$138.6	\$122.64	\$33.64	\$3.50	\$19.99														
		Unbundled Sub-Loop Feeder Loop, 4 Wire Loop-Start, Voice Grade - Zone 3		3	UEA	USBFE	\$22.90	\$213.56	\$138.6	\$122.64	\$33.64	\$3.50	\$19.99														
		Order Coordination For Specified Conversion Time, Per LSR			UEA	OCOSL		\$36.18																			
		Unbundled Sub-Loop Feeder Loop, 2 Wire ISDN BRI - Zone 1		1	UDN	USBFF	\$17.75	\$211.3	\$136.34	\$111.02	\$26.01	\$3.50	\$19.99														
		Unbundled Sub-Loop Feeder Loop, 2-Wire ISDN BRI - Zone 2		2	UDN	USBFF	\$23.67	\$211.3	\$136.34	\$111.02	\$26.01	\$3.50	\$19.99														
		Unbundled Sub-Loop Feeder Loop, 2-Wire ISDN BRI - Zone 3		3	UDN	USBFF	\$29.90	\$211.3	\$136.34	\$111.02	\$26.01	\$3.50	\$19.99														
		Order Coordination For Specified Conversion Time, Per LSR			UDN	OCOSL		\$36.18																			
		Unbundled Sub-Loop Feeder, 2 Wire UDC (IDSL compatible)		1	UDC	USBFS	\$17.75	\$211.3	\$136.34	\$111.02	\$26.01	\$3.5	\$19.99														
		Unbundled Sub-Loop Feeder, 2 Wire UDC (IDSL compatible)		2	UDC	USBFS	\$23.67	\$211.3	\$136.34	\$111.02	\$26.01	\$3.5	\$19.99														
		Unbundled Sub-Loop Feeder, 2 Wire UDC (IDSL compatible)		3	UDC	USBFS	\$29.9	\$211.3	\$136.34	\$111.02	\$26.01	\$3.5	\$19.99														
		Unbundled Sub-Loop Feeder Loop, 4-Wire DS1 - Zone 1		1	USL	USBFG	\$75.1	\$202.14	\$127.18	\$122.64	\$33.64	\$3.50	\$19.99														
		Unbundled Sub-Loop Feeder, 4-Wire DS1 - Zone 2		2	USL	USBFG	\$104.53	\$202.14	\$127.18	\$122.64	\$33.64	\$3.50	\$19.99														
		Unbundled Sub-Loop Feeder Loop, 4-Wire DS1 - Zone 3		3	USL	USBFG	\$152.36	\$202.14	\$127.18	\$122.64	\$33.64	\$3.50	\$19.99														
		Order Coordination For Specified Conversion Time, Per LSR			USL	OCOSL		\$36.18																			
		Unbundled Sub-Loop Feeder, 2-Wire Copper Loop - Zone 1		1	UCL	USBFH	\$8.29	\$167.62	\$92.66	\$106.42	\$21.41	\$3.50	\$19.99														
		Unbundled Sub-Loop Feeder Loop, 2-Wire Copper Loop - Zone 2		2	UCL	USBFH	\$7.30	\$167.62	\$92.66	\$106.42	\$21.41	\$3.50	\$19.99														
		Unbundled Sub-Loop Feeder Loop, 2-Wire Copper Loop - Zone 3		3	UCL	USBFH	\$6.03	\$167.62	\$92.66	\$106.42	\$21.41	\$3.50	\$19.99														
		Order Coordination For Specified Conversion Time, per LSR			UCL	OCOSL		\$36.18																			
		Sub-Loop Feeder - Per 4-Wire Copper Loop - Zone 1		1	UCL	USBFJ	\$16.55	\$202.05	\$127.09	\$115.43	\$26.43	\$3.50	\$19.99														
		Sub-Loop Feeder - Per 4-Wire Copper Loop - Zone 2		2	UCL	USBFJ	\$15.35	\$202.05	\$127.09	\$115.43	\$26.43	\$3.50	\$19.99														
		Sub-Loop Feeder - Per 4-Wire Copper Loop - Zone 3		3	UCL	USBFJ	\$12.52	\$202.05	\$127.09	\$115.43	\$26.43	\$3.50	\$19.99														
		Order Coordination For Specified Conversion Time, per LSR			UCL	OCOSL		\$36.18																			
		Sub-Loop Feeder - Per 4-Wire 19.2 Kbps Digital Grade Loop		1	UDL	USBFN	\$27.38	\$202.14	\$127.18	\$122.64	\$33.64	\$3.5	\$19.99														
		Sub-Loop Feeder - Per 4-Wire 19.2 Kbps Digital Grade Loop		2	UDL	USBFN	\$33.41	\$202.14	\$127.18	\$122.64	\$33.64	\$3.5	\$19.99														
		Sub-Loop Feeder - Per 4-Wire 19.2 Kbps Digital Grade Loop		3	UDL	USBFN	\$24.47	\$202.14	\$127.18	\$122.64	\$33.64	\$3.5	\$19.99														
		Sub-Loop Feeder - Per 4-Wire 56 Kbps Digital Grade Loop - Zone 1		1	UDL	USBFO	\$27.38	\$202.14	\$127.18	\$122.64	\$33.64	\$3.50	\$19.99														
		Sub-Loop Feeder - Per 4-Wire 56 Kbps Digital Grade Loop - Zone 2		2	UDL	USBFO	\$33.41	\$202.14	\$127.18	\$122.64	\$33.64	\$3.50	\$19.99														
		Sub-Loop Feeder - Per 4-Wire 56 Kbps Digital Grade Loop - Zone 3		3	UDL	USBFO	\$24.47	\$202.14	\$127.18	\$122.64	\$33.64	\$3.50	\$19.99														
		Order Coordination For Specified Time Conversion, per LSR			UDL	OCOSL		\$36.18																			
		Sub-Loop Feeder - Per 4-Wire 64 Kbps Digital Grade Loop - Zone 1		1	UDL	USBFP	\$27.38	\$202.14	\$127.18	\$122.64	\$33.64	\$3.50	\$19.99														
		Sub-Loop Feeder - Per 4-Wire 64 Kbps Digital Grade Loop - Zone 2		2	UDL	USBFP	\$33.41	\$202.14	\$127.18	\$122.64	\$33.64	\$3.50	\$19.99														
		Sub-Loop Feeder - Per 4-Wire 64 Kbps Digital Grade Loop - Zone 3		3	UDL	USBFP	\$24.47	\$202.14	\$127.18	\$122.64	\$33.64	\$3.50	\$19.99														
		Order Coordination For Specified Conversion Time, per LSR			UDL	OCOSL		\$36.18																			
		Unbundled Sub-Loop Modification																									
		Unbundled Sub-Loop Modification - 2-W Copper Dist Load Coil/Equip Removal per 2-W PR			UEF	ULM2X		\$355.83	\$12.27			\$3.50	\$19.99														
		Unbundled Sub-loop Modification - 4-W Copper Dist Load Coil/Equip Removal per 4-W PR			UEF	ULM4X		\$355.83	\$12.27			\$3.50	\$19.99														
		Unbundled Sub-loop Modification - 2-w/4-w Copper Dist Bridged Tap Removal, per PR unloaded			UEF	ULM4T		\$560.74	\$14.30			\$3.50	\$19.99					\$3.94	\$3.94								
		Unbundled Network Terminating Wire (UNTW)																									
		Unbundled Network Terminating Wire (UNTW) per Pair			UENTW	UENPP	\$0.64	\$62.83	\$62.83			\$3.50	\$19.99					\$3.94	\$3.94								
		Network Interface Device (NID)																									
		Network Interface Device (NID) - 1-2 lines			UENTW	UND12		\$89.66	\$57.24									\$3.94	\$3.94								
		Network Interface Device (NID) - 1-6 lines			UENTW	UND16		\$129.24	\$99.52									\$3.94	\$3.94								

BELLSOUTH / METROMEDIA FIBER NETWORK SERVICES RATES
Unbundled Network Elements
KENTUCKY

CATEGORY	NOTES	UNBUNDLED NETWORK ELEMENT	Interim	Zone	BCS	USOC	RATES				OSS RATES						
							Rec	First	Add'l	Disconnect	Svc Order Submitted Elec per LSR	Svc Order Submitted Manually per LSR	Incremental Charge - Manual Svc Order vs. Electronic-1st	Incremental Charge - Manual Svc Order vs. Electronic-Add'l	Incremental Charge - Manual Svc Order vs. Electronic-Disc 1st	Incremental Charge - Manual Svc Order vs. Electronic-Disc Add'l	
																	First
		Network Interface Device Cross Connect - 2 W			UENTW	UNDC2	\$11.78	\$11.78				\$3.50	\$19.99			\$3.94	\$3.94
		Network Interface Device Cross Connect - 4W			UENTW	UNDC4	\$11.78	\$11.78				\$3.50	\$19.99			\$3.94	\$3.94
UNBUNDLED LOOP CONCENTRATION																	
		Unbundled Loop Concentration - System A (TR008)			ULC	UCT8A	\$522.17	\$651.04	\$651.04								
		Unbundled Loop Concentration - System B (TR008)			ULC	UCT8B	\$63.59	\$271.27	\$271.27								
		Unbundled Loop Concentration - System A (TR303)			ULC	UCT3A	\$567.21	\$651.04	\$651.04								
		Unbundled Loop Concentration - System B (TR303)			ULC	UCT3B	\$107.16	\$271.27	\$271.27								
		Unbundled Loop Concentration - DS1 Loop Interface Card			ULC	UCTCO	\$6.04	\$126.61	\$92.17	\$33.46	\$9.37						
		Unbundled Loop Concentration - ISDN Loop Interface (Brite Card)			UDN	ULCC1	\$9.59	\$21.08	\$20.96	\$10.75	\$10.68						
		Unbundled Loop Concentration - UDC Loop Interface (Brite Card)			UDC	ULCCU	\$9.59	\$21.08	\$20.96	\$10.75	\$10.68						
		Unbundled Loop Concentration - 2 Wire Voice-Loop Start or Ground Start Loop Interface (POTS Card)			UEA	ULCC2	\$2.40	\$21.08	\$20.96	\$10.75	\$10.68						
		Unbundled Loop Concentration - 2 Wire Voice - Reverse Battery Loop Interface (SPOTS Card)			UEA	ULCCR	\$14.26	\$21.08	\$20.96	\$10.75	\$10.68						
		Unbundled Loop Concentration - 4 Wire Voice Loop Interface			UEA	ULCC4	\$8.51	\$21.08	\$20.96	\$10.75	\$10.68						
		Unbundled Loop Concentration - TEST CIRCUIT Card			ULC	UCTTC	\$41.58	\$21.08	\$20.96	\$10.75	\$10.68						
		Unbundled Loop Concentration - Digital 19.2 Kbps Data Loop Interface			UDL	ULCC7	\$12.6	\$21.08	\$20.96	\$10.75	\$10.68						
		Unbundled Loop Concentration - Digital 56 Kbps Data Loop Interface			UDL	ULCC5	\$12.60	\$21.08	\$20.96	\$10.75	\$10.68					\$3.94	\$3.94
		Unbundled Loop Concentration - Digital 64 Kbps Data Loop Interface			UDL	ULCC6	\$12.60	\$21.08	\$20.96	\$10.75	\$10.68					\$3.94	\$3.94
UNBUNDLED SUB-LOOP CONCENTRATION (OUTSIDE CO)																	
UNE OTHER, PROVISIONING ONLY - NO RATE																	
		NID - Dispatch and Service Order for NID installation			UENTW	UNDBX											
		UNTW Circuit Id Establishment, Provisioning Only - No Rate			UENTW	UENCE											
		Unbundled Contract Name, Provisioning Only - No Rate			UEANL,UEF,UEQ,UE NTW	UNECN											
		Unbundled Contact Name, Provisioning Only - no rate			UAL,UCL,UDC,UDL,U DN,UEA,UHL,ULC	UNECN	\$0.0	\$0.0									
		Unbundled Sub-Loop Feeder-2 Wire Cross Box Jumper - no rate			UEA,UDN,UCL,UDC	USBFQ	\$0.0	\$0.0									
		Unbundled Sub-Loop Feeder-4 Wire Cross Box Jumper - no rate			UEA,USL,UCL,UDL	USBFR	\$0.0	\$0.0									
		Unbundled DS1 Loop - Superframe Format Option - no rate			USL	CCOSF	\$0.0	\$0.0									
		Unbundled DS1 Loop - Expanded Superframe Format option - no rate			USL	CCOEF	\$0.0	\$0.0									
HIGH CAPACITY UNBUNDLED LOCAL LOOP																	
		NOTE: 4 month minimum billing period															
		High Capacity Unbundled Local Loop - DS3 - Per Mile per month			UE3	1L5ND	\$11.53										
		High Capacity Unbundled Local Loop - DS3 - Facility Termination per month			UE3	UE3PX	\$379.72	\$903.37	\$528.05	\$238.97	\$166.62	\$3.5	\$31.32	\$31.32	\$3.94	\$3.94	
		High Capacity Unbundled Local Loop - STS-1 - Per Mile per month			UDLSX	1L5ND	\$11.53										
		High Capacity Unbundled Local Loop - STS-1 - Facility Termination per month			UDLSX	UDLS1	\$394.76	\$903.34	\$528.05	\$238.2	\$166.62	\$3.5	\$31.32	\$31.32	\$3.94	\$3.94	
LOOP MAKE-UP																	
		Loop Makeup - Preordering Without Reservation, per working or spare facility queried (Manual). **			UMK	UMKLW	\$47.98	\$47.98									
		Loop Makeup - Preordering With Reservation, per spare facility queried (Manual). **			UMK	UMKLP	\$50.88	\$50.88									
		Loop Makeup--With or Without Reservation, per working or spare facility queried (Mechanized) **					\$0.6746	\$0.6746									
LINE SHARING																	
		Line Sharing Splitter, per System 96 Line Capacity	I		ULS	ULSDA	\$203.33	\$377.71	\$0.0	\$357.29	\$0.0	\$0.0	\$0.0				
		Line Sharing Splitter, per System 24 Line Capacity	I		ULS	ULSDB	\$50.83	\$377.71	\$0.0	\$357.29	\$0.0	\$0.0	\$0.0				
		Line Sharing - per Line Activation	I		ULS	ULSDC	\$0.61	\$37.02	\$21.20	\$20.10	\$9.87	\$3.50	\$19.99				
		Line Sharing - per Subsequent Activity per Line Rearrangement	I		ULS	ULSDS		\$32.78	\$16.38			\$3.50	\$19.99				

BELLSOUTH / METROMEDIA FIBER NETWORK SERVICES RATES
Unbundled Network Elements
KENTUCKY

CATEGORY	NOTES	UNBUNDLED NETWORK ELEMENT	Interim	Zone	BCS	USOC	RATES					OSS RATES							
							Rec	First	Add'l	Nonrecurring		Svc Order Submitted Elec per LSR	Svc Order Submitted Manually per LSR	Incremental Charge - Manual Svc Order vs. Electronic-1st	Incremental Charge - Manual Svc Order vs. Electronic-Add'l	Incremental Charge - Manual Svc Order vs. Electronic-Disc 1st	Incremental Charge - Manual Svc Order vs. Electronic-Disc Add'l		
										First	Disconnect							First	Add'l
							SOMEK	SOMAN	SOMAN	SOMAN	SOMAN	SOMAN	SOMAN						
		Line Sharing-CLEC/DLEC Owned Splitter in CO-per occurrence of each group of 24 lines (48 pr)	I		ULS	ULSDG		\$57.72			\$11.43								
UNBUNDLED TRANSPORT																			
		COMMON TRANSPORT (Shared)																	
		Common Transport - Per Mile, Per MOU						\$0.0000049											
		Common Transport - Facilities Termination Per MOU						\$0.000426											
NOTE: INTEROFFICE CHANNEL - DEDICATED TRANSPORT - minimum billing period: below DS3 = one month, DS3 and above four months																			
INTEROFFICE CHANNEL - DEDICATED TRANSPORT - VOICE GRADE																			
		Interoffice Channel - Dedicated Transport - 2-Wire Voice Grade - Per Mile per month			U1TVX	1L5XX		\$0.0118											
		Interoffice Channel - Dedicated Transport- 2- Wire Voice Grade - Facility Termination per month			U1TVX	U1TV2		\$29.51	\$81.07	\$54.84	\$33.36	\$13.75	\$3.5	\$31.32	\$31.332	\$3.94	\$3.94		
		Interoffice Channel - Dedicated Transport- 2-Wire Voice Grade Rev Bat. - Per Mile per month			U1TVX	1L5XX		\$0.0118											
		Interoffice Channel - Dedicated Transport- 2- Wire VG Rev Bat. - Facility Termination per month			U1TVX	U1TR2		\$29.51	\$81.07	\$54.84	\$33.36	\$13.75	\$3.50	\$31.32	\$31.33	\$3.94	\$3.94		
		Interoffice Channel - Dedicated Transport - 4-Wire Voice Grade - Per Mile per month			U1TVX	1L5XX		\$0.0118											
		Interoffice Channel - Dedicated Transport - 4- Wire Voice Grade - Facility Termination per month			U1TVX	U1TV4		\$29.51	\$81.1	\$54.84	\$33.36	\$13.75	\$3.5	\$31.32	\$31.32	\$3.94	\$3.94		
		Interoffice Channel - Dedicated Transport - 56 kbps - per mile per month			U1TDX	1L5XX		\$0.0118											
		Interoffice Channel - Dedicated Transport - 56 kbps - Facility Termination per month			U1TDX	U1TD5		\$29.51	\$81.1	\$54.82	\$33.36	\$13.75	\$3.5	\$31.32	\$31.32	\$3.94	\$3.94		
		Interoffice Channel - Dedicated Transport - 64 kbps - per mile per month			U1TDX	1L5XX		\$0.0118											
		Interoffice Channel - Dedicated Transport - 64 kbps - Facility Termination per month			U1TDX	U1TD6		\$29.51	\$81.10	\$54.82	\$33.36	\$13.75	\$3.50	\$31.32	\$31.32	\$3.94	\$3.94		
INTEROFFICE CHANNEL - DEDICATED TRANSPORT - DS1																			
		Interoffice Channel - Dedicated Channel - DS1 - Per Mile per month			U1TD1	1L5XX		\$0.2407											
		Interoffice Channel - Dedicated Transport - DS1 - Facility Termination per month			U1TD1	U1TF1		\$97.38	\$178.53	\$163.67	\$32.59	\$28.79	\$3.5	\$31.32	\$31.32	\$3.94	\$3.94		
INTEROFFICE CHANNEL - DEDICATED TRANSPORT- DS3																			
		Interoffice Channel - Dedicated Transport - DS3 - Per Mile per month			U1TD3	1L5XX		\$5.1											
		Interoffice Channel - Dedicated Transport - DS3 - Facility Termination per month			U1TD3	U1TF3		\$1,191.53	\$557.49	\$325.51	\$120.39	\$116.54	\$3.5	\$31.32	\$31.32	\$3.94	\$3.94		
INTEROFFICE CHANNEL - DEDICATED TRANSPORT- STS-1																			
		Interoffice Channel - Dedicated Transport - STS-1 - Per Mile per month			U1TS1	1L5XX		\$5.1											
		Interoffice Channel - Dedicated Transport - STS-1 - Facility Termination per month			U1TS1	U1TFS		\$1,165.53	\$557.69	\$325.62	\$120.	\$116.54	\$3.5	\$31.32	\$31.32	\$3.94	\$3.94		
LOCAL CHANNEL - DEDICATED TRANSPORT																			
NOTE: LOCAL CHANNEL DEDICATED TRANSPORT - minimum billing period - below DS3=one month, DS3 and above=four months																			
		Local Channel - Dedicated - 2-Wire Voice Grade Per Month			ULCVX	ULDV2		\$18.18	\$386.33	\$66.35	\$73.28	\$6.37	\$12.43	\$31.32	\$31.32	\$3.94	\$3.94		
		Local Channel - Dedicated - 2-Wire Voice Grade Rev Bat per month			ULCVX	ULDR2		\$18.18	\$386.33	\$66.35	\$73.28	\$6.37	\$12.43	\$31.32	\$31.32	\$3.94	\$3.94		
		Local Channel - Dedicated - 4-Wire Voice Grade per month			UNCVX	ULDV4		\$20.12	\$387.22	\$67.22	\$73.98	\$7.31	\$12.45	\$31.32	\$31.32	\$3.94	\$3.94		
		Local Channel - Dedicated - DS1 per month - Zone 1		1	ULDD1	ULDF1		\$44.63	\$355.06	\$307.53	\$44.24	\$30.42	\$3.5	\$31.32	\$31.32	\$3.94	\$3.94		
		Local Channel - Dedicated - DS1 per month - Zone 2		2	ULDD1	ULDF1		\$40.74	\$355.06	\$44.63	\$307.53	\$44.24	\$3.50	\$31.32	\$31.32	\$3.94	\$3.94		
		Local Channel - Dedicated - DS1 per month - Zone 3		3	ULDD1	ULDF1		\$42.95	\$355.06	\$307.53	\$44.24	\$30.42	\$3.50	\$31.32	\$31.32	\$3.94	\$3.94		
		Local Channel - Dedicated - DS3 - Per Mile per month			ULDD3	1L5NC		\$8.98											
		Local Channel - Dedicated - DS3 - Facility Termination per month			ULDD3	ULDF3		\$583.57	\$903.34	\$528.05	\$238.2	\$166.62	\$3.5	\$31.32	\$31.32	\$3.94	\$3.94		
		Local Channel - Dedicated - STS-1- Per Mile per month			ULDS1	1L5NC		\$8.98											

BELLSOUTH / METROMEDIA FIBER NETWORK SERVICES RATES
Unbundled Network Elements
KENTUCKY

CATEGORY	NOTES	UNBUNDLED NETWORK ELEMENT	Interim	Zone	BCS	USOC	RATES					OSS RATES										
							Rec	First	Add'l	Disconnect	Add'l	SOMEK	SOMAN	SOMAN	SOMAN	SOMAN	SOMAN	SOMAN				
																			Nonrecurring		Nonrecurring	
																			First	Add'l	First	Add'l
		Local Channel - Dedicated - STS-1 - Facility Termination per month			ULDS1	ULDFS	\$550.34	\$903.34	\$583.57	\$528.05	\$238.20	\$3.50			\$31.32	\$31.32	\$3.94	\$3.94				
MULTIPLEXERS		Channelization - DS1 to DS0 Channel System			UXTD1	MQ1	\$139.65	\$182.08	\$125.19	\$21.	\$19.52	\$3.5			\$31.32	\$31.32	\$3.94	\$3.94				
		OCU-DP COCI (data) - DS1 to DS0 Channel System - per month (2.4-64kbs)			UDL	1D1DD	\$1.63	\$13.16	\$9.43													
		2-wire ISDN COCI (BRITE) - DS1 to DS0 Channel System - per month			UDN	UC1CA	\$23.5	\$13.16	\$9.43													
		Voice Grade COCI - DS1 to DS0 Channel System - per month			UEA	1D1VG	\$0.7676	\$13.16	\$9.43													
		DS3 to DS1 Channel System per month			UXTD3	MQ3	\$194.82	\$356.4	\$188.000	\$66.3	\$63.44	\$3.5			\$31.31	\$31.31	\$3.94	\$3.94				
		STS1 to DS1 Channel System per month			UXTS1	MQ3	\$194.82											\$3.94				
		DS3 Interface Unit (DS1 COCI) used with Loop per month			USL	UC1D1	\$14.53	\$13.16	\$9.43													
DARK FIBER		Dark Fiber, Four Fiber Strands, Per Route Mile or Fraction Thereof per month - Local Channel			UDF	1L5DC	\$48.00															
		NRC Dark Fiber - Local Channel			UDF	UDFC4	\$1,278.61	\$275.83	\$632.07	\$394.05	\$3.5				\$31.32	\$31.32	\$3.94	\$3.94				
		Dark Fiber, Four Fiber Strands, Per Route Mile or Fraction Thereof per month - Interoffice Channel			UDF	1L5DF	\$31.51															
		NRC Dark Fiber - Interoffice Channel			UDF	UDF14	\$1,278.61	\$275.83	\$632.07	\$394.05	\$3.50				\$31.32	\$31.32	\$3.94	\$3.94				
		Dark Fiber, Four Fiber Strands, Per Route Mile or Fraction Thereof per month - Local Loop			UDF	1L5DL	\$48.00															
		NRC Dark Fiber - Local Loop			UDF	UDFL4	\$1,278.61	\$275.83	\$632.07	\$394.05	\$3.50				\$31.32	\$31.32	\$3.94	\$3.94				
TRANSPORT OTHER																						
		Optional Features & Functions:																				
		Clear Channel Capability (B8ZS/ESF) Option - Subsequent - per DS1 Channel			UNC1X	CCOEF	\$184.91	\$23.82	\$1.99	\$0.78	\$3.50				\$29.24	\$3.94						
		Clear Channel Capability (B8ZS/SF) Option - Subsequent - per DS1 Channel			UNC1X	CCOSF	\$184.91	\$23.82	\$1.99	\$0.78	\$3.50				\$29.24	\$3.94						
8XX ACCESS TEN DIGIT SCREENING		8XX Access Ten Digit Screening, Per Call			OHD																	
		8XX Access Ten Digit Screening, Reservation Charge Per 8XX Number Reserved			OHD	N8R1X	\$10.05	\$1.19			\$3.50											
		8XX Access Ten Digit Screening, Per 8XX No. Established W/O POTS Translations			OHD		\$30.59	\$3.22			\$3.50											
		8XX Access Ten Digit Screening, Per 8XX No. Established With POTS Translations			OHD	N8FTX	\$30.59	\$3.22			\$3.50											
		8XX Access Ten Digit Screening, Customized Area of Service Per 8XX Number			OHD	N8FCX	\$6.97	\$3.49			\$3.50											
		8XX Access Ten Digit Screening, Multiple InterLATA CXR Routing Per CXR Requested Per 8XX No.			OHD	N8FMX	\$8.16	\$4.67			\$3.50											
		8XX Access Ten Digit Screening, Change Charge Per Request			OHD	N8FAX	\$11.24	\$1.19			\$3.50											
		8XX Access Ten Digit Screening, Call Handling and Destination Features			OHD	N8FDX	\$6.97				\$3.50											
LINE INFORMATION DATA BASE ACCESS (LIDB)		LIDB Common Transport Per Query				OQT	\$0.00006															
		LIDB Validation Per Query				OQU	\$0.00938															
		LIDB Originating Point Code Establishment or Change					\$107.60				\$3.50											
SIGNALING (CCS7)		CCS7 Signaling Termination, Per STP Port					\$174.08															
		CCS7 Signaling Usage, Per TCAP Message					\$0.000102042															
		CCS7 Signaling Connection, Per link (A link)					\$16.31	\$354.95	\$354.95		\$3.50											
		CCS7 Signaling Usage, Per ISUP Message					\$0.000037893															
		CCS7 Signaling Usage Surrogate, per link per LATA					\$329.98															
		CCS7 Signaling Point Code, Establishment or Change, per STP affected					\$62.00	\$62.00			\$3.50											
CALLING NAME (CNAM) SERVICE		CNAM for DB Owners, Per Query					\$0.016															

BELLSOUTH / METROMEDIA FIBER NETWORK SERVICES RATES
 Unbundled Network Elements
 KENTUCKY

CATEGORY	NOTES	UNBUNDLED NETWORK ELEMENT	Interim	Zone	BCS	USOC	RATES					OSS RATES						
							Rec	First	Add'l	Disconnect	Add'l	Svc Order Submitted Elec per LSR	Svc Order Submitted Manually per LSR	Incremental Charge - Manual Svc Order vs. Electronic-1st	Incremental Charge - Manual Svc Order vs. Electronic-Add'l	Incremental Charge - Manual Svc Order vs. Electronic-Disc 1st	Incremental Charge - Manual Svc Order vs. Electronic-Disc Add'l	
																		Nonrecurring
SOMECD	SOMAN	SOMAN	SOMAN	SOMAN	SOMAN	SOMAN												
		CNAM for Non DB Owners, Per Query					\$0.01											
		CNAM (Non-Databs Owner), NRC, applies when using the Character Based User Interface (CHUI)			OQV	CDDCH	\$595.00					\$3.50						
OPERATOR SERVICES AND DIRECTORY ASSISTANCE																		
OPERATOR CALL PROCESSING																		
		Oper. Call Processing - Oper. Provided, Per Min. - Using BST LIDB					\$1.2											
		Oper. Call Processing - Oper. Provided, Per Min. - Using Foreign LIDB					\$1.24											
		Oper. Call Processing - Fully Automated, per Call - Using BST LIDB					\$0.20											
		Oper. Call Processing - Fully Automated, per Call - Using Foreign LIDB					\$0.20											
INWARD OPERATOR SERVICES																		
		Inward Operator Services - Verification, Per Call					\$1.00											
		Inward Operator Services - Verification and Emergency Interrupt - Per Call					\$1.95											
BRANDING - OPERATOR CALL PROCESSING																		
		Recording of Custom Branded OA Announcement				CBAOS	\$7,000.00	\$7,000.00	\$9.61	\$9.61								
		Loading of Custom Branded OA Announcement per shelf/NAV				CBAOL	\$500.00	\$500.00				\$3.50						
DIRECTORY ASSISTANCE SERVICES																		
DIRECTORY ASSISTANCE ACCESS SERVICE																		
		Directory Assistance Access Service Calls, Charge Per Call					\$0.275											
DIRECTORY ASSISTANCE CALL COMPLETION ACCESS SERVICE (DACC)																		
		Directory Assistance Call Completion Access Service (DACC), Per Call Attempt					\$0.10											
UNBRANDING																		
DIRECTORY TRANSPORT																		
		Directory Transport - Local Channel DS1					\$36.32	\$637.46	\$546.94			\$3.50						
		Directory Transport - DS1 Level Interoffice Per Mile					\$0.45					\$3.5						
		Directory Transport - DS1 Level Interoffice Per Facility Termination					\$55.05	\$298.18	\$231.18			\$3.50						
		Switched Common Transport Per DA Access Service Per Call					\$0.000175					\$3.5						
		Switched Common Transport Per DA Access Service Per Call Per Mile					\$0.000004					\$3.5						
		Access Tandem Switching Per DA Access Service Per Call					\$0.000783					\$3.5						
		Directory Transport - Installation NRC, Per Trunk or Signaling Connection					\$501.98	\$13.32				\$3.50						
DIRECTORY ASSISTANCE DATA BASE SERVICE (DADS)																		
		Directory Assistance Data Base Service Charge Per Listing					\$0.04											
		Directory Assistance Data Base Service, per month				DBSOF	\$150.00											
BRANDING - DIRECTORY ASSISTANCE																		
		Custom Branding Announcement, per Recording to be used with the provision of DA			AMT	CBADA	\$3,000.00	\$3,000.00										
		Loading of Custom Branded Announcement per DRAM Card/Switch			AMT	CBADC	\$690.00	\$690.00										
SELECTIVE ROUTING																		
		Selective Routing Per Unique Line Class Code Per Request Per Switch				USRCR	\$229.65	\$229.65				\$3.50	\$19.99	\$19.99				
VIRTUAL COLLOCATION																		
		Virtual Collocation - 2-wire Cross Connects (loop)			ueanl,uea,udn,udc,ual,uhl,ucl,ueq	UEAC2	\$0.31	\$54.21	\$51.07			\$3.50						
		Virtual Collocation - 2-wire Cross Connects (port)				VE1R2	\$0.31	\$54.21	\$51.07			\$3.50						
		Virtual Collocation - 4-wire Cross Connects (loop)			uea,uhl,ucl,udl	UEAC4	\$0.62	\$54.23	\$50.96			\$3.50						
		Virtual Collocation - 4-wire Cross Connects (port)				VE1R4	\$0.62	\$54.23	\$50.96			\$3.50						
		Virtual Collocation - 2-Fiber Cross Connects				CNC2F	\$15.64	\$41.56	\$29.82			\$3.50						
		Virtual Collocation - 4-Fiber Cross Connects				CNC4F	\$28.11	\$50.53	\$38.78			\$3.50						

BELLSOUTH / METROMEDIA FIBER NETWORK SERVICES RATES
Unbundled Network Elements
KENTUCKY

CATEGORY	NOTES	UNBUNDLED NETWORK ELEMENT	Interim	Zone	BCS	USOC	RATES					OSS RATES						
							Rec	First	Add'l	First	Add'l	Svc Order Submitted Elec per LSR	Svc Order Submitted Manually per LSR	Incremental Charge - Manual Svc Order vs. Electronic-1st	Incremental Charge - Manual Svc Order vs. Electronic-Add'l	Incremental Charge - Manual Svc Order vs. Electronic-Disc 1st	Incremental Charge - Manual Svc Order vs. Electronic-Disc Add'l	
																		Disconnect
		Virtual Collocatin - DS1 Cross Connects			USL,ULC	CNC1X	\$1.50	\$44.07	\$31.86	\$12.76	\$11.53							
AIN SELECTIVE CARRIER ROUTING																		
		Regional Service Establishment			SRC	SRCEC		#####	#####									
		End Office Establishment			SRC	SRCEO		\$320.53	\$320.53									
		Line/Port NRC, per end user			SRC	SRCLP		\$2.06	\$2.06									
		Query NRC, per query			SRC			\$0.000448										
AIN - BELLSOUTH AIN SMS ACCESS SERVICE																		
AIN - BELLSOUTH AIN TOOLKIT SERVICE																		
ODUF/EDOUF/ADUF/CMDS																		
ACCESS DAILY USAGE FILE (ADUF)																		
		ADUF: Message Processing, per message					\$0.004											
		ADUF: Data Transmission (CONNECT:DIRECT), per message					\$0.001											
ENHANCED OPTIONAL DAILY USAGE FILE (EODUF)																		
		EODUF: Message Processing, per message					\$0.004											
OPTIONAL DAILY USAGE FILE (ODUF)																		
		ODUF: Recording, per message					\$0.0008611											
		ODUF: Message Processing, per message					\$0.0032357											
		ODUF: Message Processing, per Magnetic Tape provisioned					\$55.68											
		ODUF: Data Transmission (CONNECT:DIRECT), per message					\$0.0000365											
ENHANCED EXTENDED LINK (EELs)																		
NOTE: New EELs available in State of Georgia, density zone 1 of following SMAs: Orlando, FL; Miami, FL; Ft. Lauderdale, FL; Nashville, TN; New Orleans, LA;																		
NOTE: Charlotte-Gastonia-Rockhill, NC; Greensboro-Winston Salem-High Point, NC. Use all rates below except Switch As Is Charge.																		
NOTE: In all states, EEL network elements shown below also apply to currently combined facilities which are converted to UNE rates. A Switch As Is Charge applies to currently combined facilities converted to UNEs.(Non-recurring rates do not apply.)																		
NOTE: In Georgia, the EEL network elements apply to ordinarily combined network elements per the GA PSC order.(No Switch As Is Charge.)																		
2-WIRE VOICE GRADE EXTENDED LOOP WITH DEDICATED DS1 INTEROFFICE TRANSPORT (EEL)																		
		First 2-Wire VG Loop(SL2)/DS1 Interofficed Transport Combination - Zone 1		1	UNCVX	UEAL2	\$17.78											
		First 2-Wire VG Grade Loop(SL2)/DS1 Interofficed Transport Combination - Zone 2		2	UNCVX	UEAL2	\$23.96											
		First 2-Wire VG Grade Loop(SL2)/DS1 Interofficed Transport Combination - Zone 3		3	UNCVX	UEAL2	\$34.96											
		Interoffice Transport - Dedicated - DS1 combination - Per Mile per month			UNC1X	1L5XX	\$0.2407											
		Interoffice Transport - Dedicated - DS1 combination - Facility Termination per month			UNC1X	U1TF1	\$97.38											
		DS1 Channelization System Per Month			UNC1X	MQ1	\$139.65											
		Voice Grade COCI - DS1 To Ds0 Interface - Per Month			UNCVX	1D1VG	\$0.7676											
		Each Additional 2-Wire VG Loop(SL 2) in the same DS1 Interoffice Transport Combination - Zone 1		1	UNCVX	UEAL2	\$17.78											
		Each Additional 2-Wire VG Loop(SL2) in the same DS1 Interoffice Transport Combination - Zone 2		2	UNCVX	UEAL2	\$23.96											
		Each Additional 2-Wire VG Loop(SL2) in the same DS1 Interoffice Transport Combination - Zone 3		3	UNCVX	UEAL2	\$34.96											

BELLSOUTH / METROMEDIA FIBER NETWORK SERVICES RATES
Unbundled Network Elements
KENTUCKY

CATEGORY	NOTES	UNBUNDLED NETWORK ELEMENT	Interim	Zone	BCS	USOC	RATES				OSS RATES									
							Rec	First	Add'l	Disconnect	Svc Order Submitted Elec per LSR	Svc Order Submitted Manually per LSR	Incremental Charge - Manual Svc Order vs. Electronic-1st	Incremental Charge - Manual Svc Order vs. Electronic-Add'l	Incremental Charge - Manual Svc Order vs. Electronic-Disc 1st	Incremental Charge - Manual Svc Order vs. Electronic-Disc Add'l				
																	First	Add'l	First	Add'l
		Voice Grade COCI - DS1 to DS0 Channel System combination - per month			UNCVX	1D1VG	\$0.7676													
		Nonrecurring Currently Combined Network Elements Switch -As-Is Charge			UNC1X	UNCCC		\$11.19	\$11.19	\$13.91	\$13.91	\$3.5		\$33.63	\$27.49	\$19.88	\$11.85			
		4-WIRE VOICE GRADE EXTENDED LOOP WITH DEDICATED DS1 INTEROFFICE TRANSPORT (EEL)																		
		First 4-Wire Analog Voice Grade Loop/DS1 Interoffice Transport Combination - Zone 1		1	UNCVX	UEAL4	\$38.65							\$33.63	\$27.49	\$19.88	\$11.85			
		First 4-Wire Analog Voice Grade Loop/DS1 Interoffice Transport Combination - Zone 2		2	UNCVX	UEAL4	\$43.53													
		First 4-Wire Analog Voice Grade Loop/DS1 Interoffice Transport Combination - Zone 3		3	UNCVX	UEAL4	\$34.22													
		Interoffice Transport - Dedicated - DS1 combination - Per Mile Per Month			UNC1X	1L5XX	\$0.2407													
		Interoffice Transport - Dedicated - DS1 - Facility Termination Per Month			UNC1X	U1TF1	\$97.38													
		Channelization - Channel System DS1 to DS0 combination Per Month			UNC1X	MQ1	\$139.65													
		Voice Grade COCI - DS1 to DS0 Channel System combination - per month			UNCVX	1D1VG	\$0.7676													
		Additional 4-Wire Analog Voice Grade Loop in same DS1 Interoffice Transport Combination - Zone 1		1	UNCVX	UEAL4	\$38.65													
		Additional 4-Wire Analog Voice Grade Loop in same DS1 Interoffice Transport Combination - Zone 2		2	UNCVX	UEAL4	\$43.53													
		Additional 4-Wire Analog Voice Grade Loop in same DS1 Interoffice Transport Combination - Zone 3		3	UNCVX	UEAL4	\$34.22													
		Nonrecurring Currently Combined Network Elements Switch -As-Is Charge			UNC1X	UNCCC		\$11.19	\$11.19	\$13.91	\$13.91	\$3.50		\$33.63	\$27.49	\$19.88	\$11.85			
		4-WIRE 56 KBPS EXTENDED DIGITAL LOOP WITH DEDICATED DS1 INTEROFFICE TRANSPORT (EEL)																		
		First 4-Wire 56Kbps Digital Grade Loop/DS1 Interoffice Transport Combination - Zone 1		1	UNCDX	UDL56	\$35.92													
		First 4-wire 56Kbps Digital Grade Loop/DS1 Interoffice Transport Combination - Zone 2		2	UNCDX	UDL56	\$40.32													
		First 4-Wire 56Kbps Digital Grade Loop/DS1 Interoffice Transport Combination - Zone 3		3	UNCDX	UDL56	\$37.4													
		Interoffice Transport - Dedicated - DS1 combination - Per Mile Per Month			UNC1X	1L5XX	\$0.2407													
		Interoffice Transport - Dedicated - DS1 - combination Facility Termination Per Month			UNC1X	U1TF1	\$97.38													
		Channelization - Channel System DS1 to DS0 combination Per Month			UNC1X	MQ1	\$139.65													
		OCU-DP COCI (data) - DS1 to DS0 Channel System - per month (2.4-64kbs)			UNCDX	1D1DD	\$1.63													
		Additional 4-Wire 56Kbps Digital Grade Loopin same DS1 Interoffice Transport Combination - Zone 1		1	UNCDX	UDL56	\$35.92													
		Additional 4-Wire 56Kbps Digital Grade Loopin same DS1 Interoffice Transport Combination - Zone 2		2	UNCDX	UDL56	\$40.32													
		Additional 4-Wire 56Kbps Digital Grade Loopin same DS1 Interoffice Transport Combination - Zone 3		3	UNCDX	UDL56	\$37.4													
		OCU-DP COCI (data) - DS1 to DS0 Channel System - combination per month (2.4-64kbs)			UNCDX	1D1DD	\$1.63													
		Nonrecurring Currently Combined Network Elements Switch -As-Is Charge			UNC1X	UNCCC		\$11.19	\$11.19	\$13.91	\$13.91	\$3.50		\$33.63	\$27.49	\$19.88	\$11.85			
		4-WIRE 64 KBPS EXTENDED DIGITAL LOOP WITH DEDICATED DS1 INTEROFFICE TRANSPORT (EEL)																		
		First 4-Wire 64Kbps Digital Grade Loop/DS1 Interoffice Transport Combination - Zone 1		1	UNCDX	UDL64	\$35.92													
		First 4-Wire 64Kbps Digital Grade Loop/DS1 Interoffice Transport Combination - Zone 2		2	UNCDX	UDL64	\$40.32													
		First 4-Wire 64Kbps Digital Grade Loop/DS1 Interoffice Transport Combination - Zone 3		3	UNCDX	UDL64	\$37.4													
		Interoffice Transport - Dedicated - DS1 combination - Per Mile Per Month			UNC1X	1L5XX	\$0.2407													
		Interoffice Transport - Dedicated - DS1 combination - Facility Termination Per Month			UNC1X	U1TF1	\$97.38													

BELLSOUTH / METROMEDIA FIBER NETWORK SERVICES RATES
Unbundled Network Elements
KENTUCKY

CATEGORY	NOTES	UNBUNDLED NETWORK ELEMENT	Interim	Zone	BCS	USOC	RATES				OSS RATES									
							Rec	First	Add'l	First	Add'l	SOMEK	SOMAN	SOMAN	SOMAN	SOMAN	SOMAN			
																		Nonrecurring	Nonrecurring	Disconnect
		Channelization - Channel System DS1 to DS0 combination Per Month OCU-DP COCI (data) - DS1 to DS0 Channel System combination - per month (2.4-64kbs)			UNC1X	MQ1	\$139.65													
		Additional 4-Wire 64Kbps Digital Grade Loopin same DS1 Interoffice Transport Combination - Zone 1		1	UNC1X	UDL64	\$35.92													
		Additional 4-Wire 64Kbps Digital Grade Loopin same DS1 Interoffice Transport Combination - Zone 2		2	UNC1X	UDL64	\$40.32													
		Additional 4-Wire 64Kbps Digital Grade Loopin same DS1 Interoffice Transport Combination - Zone 3		3	UNC1X	UDL64	\$37.4													
		OCU-DP COCI (data) - DS1 to DS0 Channel System combination - per month (2.4-64kbs)			UNC1X	UDL64	\$1.63													
		Nonrecurring Currently Combined Network Elements Switch -As-Is Charge			UNC1X	UNCCC		\$11.19	\$11.19	\$13.91	\$13.91	\$3.50		\$33.63	\$27.49					\$11.85
		4-WIRE DS1 DIGITAL EXTENDED LOOP WITH DEDICATED DS1 INTEROFFICE TRANSPORT (EEL)																		
		4-Wire DS1 Digital Loop in Combination with DS1 Interoffice Transport - Zone 1		1	UNC1X	USLXX	\$106.04													
		4-Wire DS1 Digital Loop in Combination with DS1 Interoffice Transport - Zone 2		2	UNC1X	USLXX	\$135.15													
		4-Wire DS1 Digital Loop in Combination with DS1 Interoffice Transport - Zone 3		3	UNC1X	USLXX	\$186.26													
		Interoffice Transport - Dedicated - DS1 combination - Per Mile Per Month			UNC1X	1L5XX	\$0.2407													
		Interoffice Transport - Dedicated - DS1 combination - Facility Termination Per Month			UNC1X	U1TF1	\$97.38													
		Nonrecurring Currently Combined Network Elements Switch -As-Is Charge			UNC1X	UNCCC		\$11.19	\$11.19	\$13.91	\$13.91	\$3.50		\$33.63						
		4-WIRE DS1 DIGITAL EXTENDED LOOP WITH DEDICATED DS3 INTEROFFICE TRANSPORT (EEL)																		
		First DS1Loop in DS3 Interoffice Transport Combination - Zone 1		1	UNC1X	USLXX	\$106.04													
		First DS1Loop in DS3 Interoffice Transport Combination - Zone 2		2	UNC1X	USLXX	\$135.15													
		First DS1Loop in DS3 Interoffice Transport Combination - Zone 3		3	UNC1X	USLXX	\$186.28													
		Interoffice Transport - Dedicated - DS3 combination - Per Mile Per Month			UNC3X	1L5XX	\$4.67													
		Interoffice Transport - Dedicated - DS3 - Facility Termination per month			UNC3X	U1TF3	\$1,191.53													
		DS3 to DS1 Channel System combination per month			UNC3X	MQ3	\$194.82													
		DS3 Interface Unit (DS1 COCI) combination per month			UNC1X	UC1D1	\$14.53													
		Additional DS1Loop in DS3 Interoffice Transport Combination - Zone 1		1	UNC1X	USLXX	\$106.04													
		Additional DS1Loop in DS3 Interoffice Transport Combination - Zone 2		2	UNC1X	USLXX	\$135.15													
		Additional DS1Loop in DS3 Interoffice Transport Combination - Zone 3		3	UNC1X	USLXX	\$186.28													
		DS3 Interface Unit (DS1 COCI) combination per month			UNC1X	UC1D1	\$14.53													
		Nonrecurring Currently Combined Network Elements Switch -As-Is Charge			UNC3X	UNCCC		\$11.19	\$11.19	\$13.91	\$13.91	\$3.50		\$33.63	\$27.49	\$19.88				\$11.85
		2-WIRE VOICE GRADE EXTENDED LOOP/ 2 WIRE VOICE GRADE INTEROFFICE TRANSPORT (EEL)																		
		2-WireVG Loop used with 2-wire VG Interoffice Transport Combination - Zone 1		1	UNCVX	UEAL2	\$17.78													
		2-WireVG Loop used with 2-wire VG Interoffice Transport Combination - Zone 2		2	UNCVX	UEAL2	\$23.96													
		2-WireVG Loop used with 2-wire VG Interoffice Transport Combination - Zone 3		3	UNCVX	UEAL2	\$34.96													
		Interoffice Transport - Dedicated - 2-wire VG combination - Per Mile Per Month			UNCVX	1L5XX	\$0.0118													
		Interoffice Transport - Dedicated - 2- Wire Voice Grade combination - Facility Termination per month			UNCVX	U1TV2	\$29.51													
		Nonrecurring Currently Combined Network Elements Switch -As-Is Charge			UNCVX	UNCCC		\$11.19	\$11.19	\$13.91	\$13.91	\$3.50		\$33.63	\$27.49					
		4-WIRE VOICE GRADE EXTENDED LOOP/ 4 WIRE VOICE GRADE INTEROFFICE TRANSPORT (EEL)																		

BELLSOUTH / METROMEDIA FIBER NETWORK SERVICES RATES
Unbundled Network Elements
KENTUCKY

CATEGORY	NOTES	UNBUNDLED NETWORK ELEMENT	Interim	Zone	BCS	USOC	RATES				OSS RATES						
							Rec	First	Add'l	Disconnect	Svc Order Submitted Elec per LSR	Svc Order Submitted Manually per LSR	Incremental Charge - Manual Svc Order vs. Electronic-1st	Incremental Charge - Manual Svc Order vs. Electronic-Add'l	Incremental Charge - Manual Svc Order vs. Electronic-Disc 1st	Incremental Charge - Manual Svc Order vs. Electronic-Disc Add'l	
																	First
SOME	SOMAN	SOMAN	SOMAN	SOMAN	SOMAN												
		4-WireVG Loop used with 4-wire VG Interoffice Transport Combination - Zone 1		1	UNCVX	UEAL4	\$38.65										
		4-WireVG Loop used with 4-wire VG Interoffice Transport Combination - Zone 2		2	UNCVX	UEAL4	\$43.57										
		4-WireVG Loop used with 4-wire VG Interoffice Transport Combination - Zone 3		3	UNCVX	UEAL4	\$34.22										
		Interoffice Transport - Dedicated - 4-wire VG combination - Per Mile Per Month			UNCVX	1L5XX	\$0.0118										
		Interoffice Transport - Dedicated - 4-Wire Voice Grade combination - Facility Termination per month			UNCVX	U1TV4	\$26.22										
		Nonrecurring Currently Combined Network Elements Switch -As-Is Charge			UNCVX	UNCCC		\$11.19	\$11.19	\$13.91	\$13.91	\$3.50		\$33.63	\$27.49		
DS3 DIGITAL EXTENDED LOOP WITH DEDICATED DS3 INTEROFFICE TRANSPORT (EEL)																	
		High Capacity Unbundled Local Loop - DS3 combination - Per Mile per month			UNC3X	1L5ND	\$11.53										
		High Capacity Unbundled Local Loop - DS3 combination - Facility Termination per month			UNC3X	UE3PX	\$379.72										
		Interoffice Transport - Dedicated - DS3 - Per Mile per month			UNC3X	1L5XX	\$5.1										
		Interoffice Transport - Dedicated - DS3 combination - Facility Termination per month			UNC3X	U1TF3	\$1,194.53										
		Nonrecurring Currently Combined Network Elements Switch -As-Is Charge			UNC3X	UNCCC		\$11.19	\$11.19	\$13.91	\$13.91	\$3.50		\$33.63	\$27.49		
STS1 DIGITAL EXTENDED LOOP WITH DEDICATED STS1 INTEROFFICE TRANSPORT (EEL)																	
		High Capacity Unbundled Local Loop - STS1 combination - Per Mile per month			UNCSX	1L5ND	\$11.53										
		High Capacity Unbundled Local Loop - STS1 combination - Facility Termination per month			UNCSX	UDLS1	\$379.72										
		Interoffice Transport - Dedicated - STS1 combination - Per Mile per month			UNCSX	1L5XX	\$5.1										
		Interoffice Transport - Dedicated - STS1 combination - Facility Termination per month			UNCSX	U1TFS	\$1,191.53										
		Nonrecurring Currently Combined Network Elements Switch -As-Is Charge			UNCSX	UNCCC		\$11.19	\$11.19	\$13.91	\$13.91	\$3.50		\$33.63	\$27.49		
2-WIRE ISDN EXTENDED LOOP WITH DS1 INTEROFFICE TRANSPORT (EEL)																	
		First 2-Wire ISDN Loop/DS1 Interoffice Combination Transport - Zone 1		1	UNCNX	U1L2X	\$25.73										
		First 2-Wire ISDN Loop/DS1 Interoffice Combination Transport - Zone 2		2	UNCNX	U1L2X	\$34.83										
		First 2-Wire ISDN Loop/DS1 Interoffice Combination Transport - Zone 3		3	UNCNX	U1L2X	\$45.46										
		Interoffice Transport - Dedicated - DS1 combination - Per Mile			UNC1X	1L5XX	\$0.2407										
		Interoffice Transport - Dedicated - DS1 combination - Facility Termination per month			UNC1X	U1TF1	\$97.38										
		Channelization - Channel System DS1 to DS0 combination - per month			UNC1X	MQ1	\$139.65										
		2-wire ISDN COCI (BRITE) - DS1 to DS0 Channel System combination - per month			UNCNX	UC1CA	\$3.5										
		Additional 2-wire ISDN Loop in same DS1 Interoffice Transport Combination - Zone 1		1	UNCNX	U1L2X	\$25.73										
		Additional 2-wire ISDN Loop in same DS1 Interoffice Transport Combination - Zone 2		2	UNCNX	U1L2X	\$34.83										
		Additional 2-wire ISDN Loop in same DS1 Interoffice Transport Combination - Zone 3		3	UNCNX	U1L2X	\$45.46										
		2-wire ISDN COCI (BRITE) - DS1 to DS0 Channel System combination - per month			UNCNX	UC1CA	\$3.5										
		Nonrecurring Currently Combined Network Elements Switch -As-Is Charge			UNC1X	UNCCC		\$11.19	\$11.19	\$13.91	\$13.91	\$3.50		\$33.63	\$27.49		
4-WIRE DS1 DIGITAL EXTENDED LOOP WITH DEDICATED STS-1 INTEROFFICE TRANSPORT (EEL)																	
		First DS1 Loop in STS1 Interoffice Transport Combination - Zone 1		1	UNC1X	USLXX	\$106.04										
		First DS1 Loop in STS1 Interoffice Transport Combination - Zone 2		2	UNC1X	USLXX	\$135.15										

BELLSOUTH / METROMEDIA FIBER NETWORK SERVICES RATES
Unbundled Network Elements
KENTUCKY

CATEGORY	NOTES	UNBUNDLED NETWORK ELEMENT	Interim	Zone	BCS	USOC	RATES				OSS RATES									
							Rec	Nonrecurring		Disconnect	Svc Order Submitted Elec per LSR	Svc Order Submitted Manually per LSR	Incremental Charge - Manual Svc Order vs. Electronic-1st	Incremental Charge - Manual Svc Order vs. Electronic-Add'l	Incremental Charge - Manual Svc Order vs. Electronic-Disc 1st	Incremental Charge - Manual Svc Order vs. Electronic-Disc Add'l				
								First	Add'l								First	Add'l		
								SOMEK	SOMAN								SOMAN	SOMAN	SOMAN	SOMAN
		First DS1 Loop in STS1 Interoffice Transport Combination - Zone 3		3	UNC1X	USLXX	\$186.25													
		Interoffice Transport - Dedicated - STS1 combination - Per Mile Per Month			UNCSX	1L5XX	\$5.1													
		Interoffice Transport - Dedicated - STS1 combination - Facility Termination			UNCSX	U1TFS	\$1,165.53													
		STS1 to DS1 Channel System combination per month			UNCSX	MQ3	\$194.82													
		DS3 Interface Unit (DS1 COC) combination per month			UNC1X	UC1D1	\$14.53													
		Additional DS1Loop in STS1 Interoffice Transport Combination - Zone 1		1	UNC1X	USLXX	\$106.04													
		Additional DS1Loop in STS1 Interoffice Transport Combination - Zone 2		2	UNC1X	USLXX	\$135.15													
		Additional DS1Loop in STS1 Interoffice Transport Combination - Zone 3		3	UNC1X	USLXX	\$186.25													
		DS3 Interface Unit (DS1 COC) combination per month			UNC1X	UC1D1	\$14.53													
		Nonrecurring Currently Combined Network Elements Switch -As-Is Charge			UNCSX	UNCCC		\$11.19	\$11.19	\$13.91	\$13.91	\$3.50		\$33.63	\$27.49					
		4-WIRE 56 KBPS DIGITAL EXTENDED LOOP WITH 56 KBPS INTEROFFICE TRANSPORT (EEL)																		
		4-wire 56 kbps Loop/4-wire 56 kbps Interoffice Transport Combination - Zone 1		1	UNCDX	UDL56	\$35.92													
		4-wire 56 kbps Loop/4-wire 56 kbps Interoffice Transport Combination - Zone 2		2	UNCDX	UDL56	\$40.32													
		4-wire 56 kbps Loop/4-wire 56 kbps Interoffice Transport Combination - Zone 3		3	UNCDX	UDL56	\$37.99													
		Interoffice Transport - Dedicated - 4-wire 56 kbps combination - Per Mile			UNCDX	1L5XX	\$0.0118													
		Interoffice Transport - Dedicated - 4-wire 56 kbps combination - Facility Termination			UNCDX	U1TD5	\$21.26													
		Nonrecurring Currently Combined Network Elements Switch -As-Is Charge			UNCDX	UNCCC		\$11.19	\$11.19	\$13.91	\$13.91	\$3.50		\$33.63	\$27.49					
		4-WIRE 64 KBPS DIGITAL EXTENDED LOOP WITH 64 KBPS INTEROFFICE TRANSPORT (EEL)																		
		4-wire 64 kbps Loop/4-wire 64 kbps Interoffice Transport Combination - Zone 1		1	UNCDX	UDL64	\$35.92													
		4-wire 64 kbps Loop/4-wire 64 kbps Interoffice Transport Combination - Zone 2		2	UNCDX	UDL64	\$40.32													
		4-wire 64 kbps Loop/4-wire 64 kbps Interoffice Transport Combination - Zone 3		3	UNCDX	UDL64	\$37.9													
		Interoffice Transport - Dedicated - 4-wire 64 kbps combination - Per Mile			UNCDX	1L5XX	\$0.0118													
		Interoffice Transport - Dedicated - 4-wire 64 kbps combination - Facility Termination			UNCDX	U1TD6	\$21.26													
		Nonrecurring Currently Combined Network Elements Switch -As-Is Charge			UNCDX	UNCCC		\$11.19	\$11.19	\$13.91	\$13.91	\$3.50		\$33.63	\$27.49					
		ADDITIONAL NETWORK ELEMENTS																		
		When used as a part of a currently combined facility, the non-recurrng charges do not apply, but a Switch As Is charge does apply.																		
		When used as ordinarly combined network elements in Georgia, the non-recurring charges apply and the Switch As Is Charge does not.																		
		Nonrecurring Currently Combined Network Elements "Switch As Is" Charge (One applies to each combination)																		
		2/4-Wire VG Interoffice Channel used in a COMBINATION - "Switch As Is" Conversion Charge			UNCVX	UNCCC		\$11.19	\$11.19	\$13.91	\$13.91	\$3.50		\$33.63	\$27.49	\$19.88	\$11.85			
		56/64 kbps Interoffice Channel used in a COMBINATION - "Switch As Is" Conversion Charge			UNCDX	UNCCC		\$11.19	\$11.19	\$13.91	\$13.91	\$3.50		\$33.63	\$27.49	\$19.88	\$11.85			
		DS1 Interoffice Channel used in a COMBINATION - "Switch As Is" Conversion Charge			UNC1X	UNCCC		\$11.19	\$11.19	\$13.91	\$13.91	\$3.50		\$33.63	\$27.49	\$19.88	\$11.85			
		DS3 Interoffice Channel used in a COMBINATION - "Switch As Is" Conversion Charge			UNC3X	UNCCC		\$11.19	\$11.19	\$13.91	\$13.91	\$3.50		\$33.63	\$27.49	\$19.88	\$11.85			

BELLSOUTH / METROMEDIA FIBER NETWORK SERVICES RATES
Unbundled Network Elements
KENTUCKY

CATEGORY	NOTES	UNBUNDLED NETWORK ELEMENT		Interim	Zone	BCS	USOC	RATES				OSS RATES						
								Rec	Nonrecurring		First	Add'l	Svc Order Submitted Elec per LSR	Svc Order Submitted Manually per LSR	Incremental Charge - Manual Svc Order vs. Electronic-1st	Incremental Charge - Manual Svc Order vs. Electronic-Add'l	Incremental Charge - Manual Svc Order vs. Electronic-Disc 1st	Incremental Charge - Manual Svc Order vs. Electronic-Disc Add'l
									First	Disconnect								
									First	Add'l								
SOME	SOMAN	SOMAN	SOMAN	SOMAN	SOMAN													
	STS1 Interoffice or Local Loop used in a COMBINATION - "Switch As Is" Conversion Charge					UNCSX	UNCCC		First	Add'l	First	Add'l	\$3.50		\$33.63	\$27.49	\$19.88	\$11.85
	NOTE: Local Channel - Dedicated Transport - minimum billing period - Below DS3=one month, DS3 and above=four months																	
	Local Channel - Dedicated - 2-Wire Voice Grade per month					UNCXV	ULDV2	\$18.18										
	Local Channel - Dedicated - 4-Wire Voice Grade per month					UNCXV	ULDV4	\$20.12										
	Local Channel - Dedicated - DS1 per month Zone 1			1		UNC1X	ULDF1	\$44.63										
	Local Channel - Dedicated -DS1 Per Month Zone 2			2		UNC1X	ULDF1	\$40.74										
	Local Channel - Dedicated - DS1- Per Month Zone 3			3		UNC1X	ULDF1	\$42.95										
	Local Channel - Dedicated - DS3 - Per Mile per month					UNC3X	1L5NC	\$8.98										
	Local Channel - Dedicated - DS3 - Facility Termination per month					UNC3X	ULDF3	\$583.57										
	Local Channel - Dedicated - STS-1- Per Mile per month					UNCSX	1L5NC	\$8.98										
	Local Channel - Dedicated - STS-1 - Facility Termination per month					UNCSX	ULDFS	\$550.34										

BELLSOUTH / METROMEDIA FIBER NETWORK SERVICES RATES
Unbundled Network Elements
LOUISIANA

CATEGORY	NOTES	UNBUNDLED NETWORK ELEMENT	Interim	Zone	BCS	USOC	RATES				OSS RATES						
							Rec	First	Add'l	Nonrecurring	Svc Order Submitted Elec per LSR	Svc Order Submitted Manually per LSR	Incremental Charge - Manual Svc Order vs. Electronic-1st	Incremental Charge - Manual Svc Order vs. Electronic-Add'l	Incremental Charge - Manual Svc Order vs. Electronic-Disc 1st	Incremental Charge - Manual Svc Order vs. Electronic-Disc Add'l	
																	First
											SOME C	SOMA N	SOMA N	SOMA N	SOMA N	SOMA N	
Geographically Deaveraged UNE Zones and applicable rates have been established for certain services, as shown in this Agreement. Where Geographically Deaveraged UNE Zones and applicable rates are established, Statewide rates are obsolete. Further, BellSouth is in the process of enhancing its billing systems in order to accommodate this Geographically Deaveraged UNE Zone Rate Structure. Until these enhancements are accomplished, estimated to be mid 2001, the UNE Zone 1 rate will be billed for all services residing in Zones 1, 2, 3 or 4, i.e., Rates for services residing in UNE Zones 2, 3 and UNE Zone 4, where applicable, will not be billed. Once billing enhancements are complete, all applicable UNE Zone rates reflected in this Agreement will be billed. Reference Internet Website http://www.interconnection.bellsouth.com/become_clec/docs/interconnection/deavuzns.pdf to view Geographically Deaveraged UNE Zone Designations by Central Office.																	
UNBUNDLED EXCHANGE ACCESS LOOP																	
2-WIRE ANALOG VOICE GRADE LOOP																	
		2-Wire Analog Voice Grade Loop - Service Level 1- Zone 1		1	UEANL	UEAL2	\$14.96	\$40.69	\$29.96	\$11.48	\$3.36	\$3.50		\$18.14	\$8.06	\$11.41	\$11.41
		2-Wire Analog Voice Grade Loop - Service Level 1- Zone 2		2	UEANL	UEAL2	\$25.69	\$40.69	\$29.96	\$11.48	\$3.36	\$3.50		\$18.14	\$8.06	\$11.41	\$11.41
		2-Wire Analog Voice Grade Loop - Service Level 1- Zone 3		3	UEANL	UEAL2	\$52.47	\$40.69	\$29.96	\$11.48	\$3.36	\$3.50		\$18.14	\$8.06	\$11.41	\$11.41
		Engineering Information Document (EI)			UEANL			\$28.72	\$28.72								
		Manual Order Coordination for UVL-SL1s (per loop)*			UEANL	UEAMC		\$34.90	\$34.90								
		Order Coordination for Specified Conversion Time for UVL-SL1 (per LSR) *			UEANL	OCOSL		\$32.77	\$32.77								
		2-Wire Analog Voice Grade Loop - Service Level 2 w/Loop or Ground Start Signaling - Zone 1		1	UEA	UEAL2	\$17.65	\$99.69	\$74.73	\$28.73	\$18.87	\$3.50		\$18.14	\$8.06	\$11.41	
		2-Wire Analog Voice Grade Loop - Service Level 2 w/Loop or Ground Start Signaling - Zone 2		2	UEA	UEAL2	\$30.32	\$99.69	\$74.73	\$28.73	\$18.87	\$3.50		\$18.14	\$8.06	\$11.41	
		2-Wire Analog Voice Grade Loop - Service Level 2 w/Loop or Ground Start Signaling - Zone 3		3	UEA	UEAL2	\$61.93	\$99.69	\$74.73	\$28.73	\$18.87	\$3.50		\$18.14	\$8.06	\$11.41	
		Order Coordination for Specified Conversion Time (per LSR)			UEA	OCOSL		\$32.77									
		2-Wire Analog Voice Grade Loop - Service Level 2 w/Reverse Battery Signaling - Zone 1		1	UEA	UEAR2	\$17.65	\$99.69	\$74.73	\$28.73	\$18.87	\$3.50		\$18.14	\$8.06	\$11.41	
		2-Wire Analog Voice Grade Loop - Service Level 2 w/Reverse Battery Signaling - Zone 2		2	UEA	UEAR2	\$30.32	\$99.69	\$74.73	\$28.73	\$18.87	\$3.50		\$18.14	\$8.06	\$11.41	
		2-Wire Analog Voice Grade Loop - Service Level 2 w/Reverse Battery Signaling - Zone 3		3	UEA	UEAR2	\$61.93	\$99.69	\$74.73	\$28.73	\$18.87	\$3.50		\$18.14	\$8.06	\$11.41	
		Order Coordination for Specified Conversion Time (per LSR)			UEA	OCOSL		\$32.77									
4-WIRE ANALOG VOICE GRADE LOOP																	
		4-Wire Analog Voice Grade Loop - Zone 1		1	UEA	UEAL4	\$24.36	\$198.10	\$163.26	\$74.27	\$39.44	\$3.50		\$18.14	\$8.06	\$11.41	
		4-Wire Analog Voice Grade Loop - Zone 2		2	UEA	UEAL4	\$41.85	\$198.10	\$163.26	\$74.27	\$39.44	\$3.50		\$18.14	\$8.06	\$11.41	
		4-Wire Analog Voice Grade Loop - Zone 3		3	UEA	UEAL4	\$85.47	\$198.10	\$163.26	\$74.27	\$39.44	\$3.50		\$18.14	\$8.06	\$11.41	
		Order Coordination for Specified Conversion Time (per LSR)			UEA	OCOSL		\$32.77									
2-WIRE ISDN DIGITAL GRADE LOOP																	
		2-Wire ISDN Digital Grade Loop - Zone 1		1	UDN	U1L2X	\$21.15	\$223.27	\$172.63	\$74.27	\$39.44	\$3.50		\$18.14	\$8.06	\$11.41	
		2-Wire ISDN Digital Grade Loop - Zone 2		2	UDN	U1L2X	\$36.32	\$223.27	\$172.63	\$74.27	\$39.44	\$3.50		\$18.14	\$8.06	\$11.41	
		2-Wire ISDN Digital Grade Loop - Zone 3		3	UDN	U1L2X	\$74.19	\$223.27	\$172.63	\$74.27	\$39.44	\$3.50		\$18.14	\$8.06	\$11.41	
		Order Coordination For Specified Conversion Time (per LSR)			UDN	OCOSL		\$32.77									
2-WIRE Universal Digital Channel (UDC) COMPATIBLE LOOP																	
		2-Wire Universal Digital Channel (UDC) Compatible Loop - Zone 1		1	UDC	UDC2X	\$28.55	\$233.18	\$158.33	\$105.01	\$20.41	\$3.50		\$18.14	\$8.06	\$11.41	
		2-Wire Universal Digital Channel (UDC) Compatible Loop - Zone 2		2	UDC	UDC2X	\$37.12	\$233.18	\$158.33	\$105.01	\$20.41	\$3.50		\$18.14	\$8.06	\$11.41	
		2-Wire Universal Digital Channel (UDC) Compatible Loop - Zone 3		3	UDC	UDC2X	\$51.88	\$233.18	\$158.33	\$105.01	\$20.41	\$3.50		\$18.14	\$8.06	\$11.41	
2-WIRE ASYMMETRICAL DIGITAL SUBSCRIBER LINE (ADSL) COMPATIBLE LOOP																	
		2-Wire Asymmetrical Digital Subscriber Line (ADSL) Compatible Loop															
		2 Wire Unbundled ADSL Loop including manual service inquiry & facility reservation - Zone 1		1	UAL	UAL2X	\$11.90	\$343.13	\$310.03	\$72.54	\$39.42	\$3.50		\$18.14	\$8.06	\$11.41	
		2 Wire Unbundled ADSL Loop including manual service inquiry & facility reservation - Zone 2		2	UAL	UAL2X	\$20.43	\$343.13	\$310.03	\$72.54	\$39.42	\$3.50		\$18.14	\$8.06	\$11.41	
		2 Wire Unbundled ADSL Loop including manual service inquiry & facility reservation - Zone 3		3	UAL	UAL2X	\$41.73	\$343.13	\$310.03	\$72.54	\$39.42	\$3.50		\$18.14	\$8.06	\$11.41	
		Order Coordination for Specified Conversion Time (per LSR)			UAL	OCOSL		\$32.77									

BELLSOUTH / METROMEDIA FIBER NETWORK SERVICES RATES
Unbundled Network Elements
LOUISIANA

CATEGORY	NOTES	UNBUNDLED NETWORK ELEMENT	Interim	Zone	BCS	USOC	RATES					OSS RATES					
							Rec	First	Add'l	First	Add'l	SOMEC	SOMAN	SOMAN	SOMAN	SOMAN	SOMAN
		2 Wire Unbundled ADSL Loop without manual service inquiry & facility reservation - Zone 1		1	UAL	UAL2W	\$11.90	\$204.74	\$129.02	\$100.41	\$15.81	\$3.50	\$19.99				
		2 Wire Unbundled ADSL Loop without manual service inquiry & facility reservation - Zone 2		2	UAL	UAL2W	\$20.43	\$204.74	\$129.02	\$100.41	\$15.81	\$3.50	\$19.99				
		2 Wire Unbundled ADSL Loop without manual service inquiry & facility reservation - Zone 3		3	UAL	UAL2W	\$41.73	\$204.74	\$129.02	\$100.41	\$15.81	\$3.50	\$19.99				
		Order Coordination for Specified Conversion Time (per LSR)			UAL	OCOSL		\$32.77									
		2-WIRE HIGH BIT RATE DIGITAL SUBSCRIBER LINE (HDSL) COMPATIBLE LOOP															
		2-WIRE HIGH BIT RATE DIGITAL SUBSCRIBER LINE (HDSL) COMPATIBLE LOOP															
		2 Wire Unbundled HDSL Loop including manual service inquiry & facility reservation - Zone 1		1	UHL	UHL2X	\$8.97	\$343.13	\$310.03	\$72.54	\$39.42	\$3.50	\$18.14	\$8.06	\$11.41		
		2 Wire Unbundled HDSL Loop including manual service inquiry & facility reservation - Zone 2		2	UHL	UHL2X	\$15.41	\$343.13	\$310.03	\$72.54	\$39.42	\$3.50	\$18.14	\$8.06	\$11.41		
		2 Wire Unbundled HDSL Loop including manual service inquiry & facility reservation - Zone 3		3	UHL	UHL2X	\$31.48	\$343.13	\$310.03	\$72.54	\$39.42	\$3.50	\$18.14	\$8.06	\$11.41		
		Order Coordination for Specified Conversion Time			UHL	OCOSL		\$32.77									
		2 Wire Unbundled HDSL Loop without manual service inquiry and facility reservation - Zone 1		1	UHL	UHL2W	\$8.97	\$222.04	\$146.33	\$100.41	\$15.81	\$3.50	\$19.99				
		2 Wire Unbundled HDSL Loop without manual service inquiry and facility reservation - Zone 2		2	UHL	UHL2W	\$15.41	\$222.04	\$146.33	\$100.41	\$15.81	\$3.50	\$19.99				
		2 Wire Unbundled HDSL Loop without manual service inquiry and facility reservation - Zone 3		3	UHL	UHL2W	\$31.48	\$222.04	\$146.33	\$100.41	\$15.81	\$3.50	\$19.99				
		Order Coordination for Specified Conversion Time			UHL	OCOSL		\$32.77									
		4-WIRE HIGH BIT RATE DIGITAL SUBSCRIBER LINE (HDSL) COMPATIBLE LOOP															
		4 Wire Unbundled HDSL Loop including manual service inquiry and facility reservation - Zone 1		1	UHL	UHL4X	\$12.97	\$361.45	\$328.35	\$72.54	\$39.42	\$3.50	\$18.14	\$8.06	\$11.41		
		4-Wire Unbundled HDSL Loop including manual service inquiry and facility reservation - Zone 2		2	UHL	UHL4X	\$21.76	\$361.45	\$328.35	\$72.54	\$39.42	\$3.50	\$18.14	\$8.06	\$11.41		
		4-Wire Unbundled HDSL Loop including manual service inquiry and facility reservation - Zone 3		3	UHL	UHL4X	\$44.44	\$361.45	\$328.35	\$72.54	\$39.42	\$3.50	\$18.14	\$8.06	\$11.41		
		Order Coordination for Specified Conversion Time			UHL	OCOSL		\$32.77									
		4-Wire Unbundled HDSL Loop without manual service inquiry and facility reservation - Zone 1		1	UHL	UHL4W	\$12.97	\$279.17	\$203.45	\$111.45	\$20.98	\$3.50	\$19.99				
		4-Wire Unbundled HDSL Loop without manual service inquiry and facility reservation - Zone 2		2	UHL	UHL4W	\$21.76	\$279.17	\$203.45	\$111.45	\$20.98	\$3.50	\$19.99				
		4-Wire Unbundled HDSL Loop without manual service inquiry and facility reservation - Zone 3		3	UHL	UHL4W	\$44.44	\$279.17	\$203.45	\$111.45	\$20.98	\$3.50	\$19.99				
		Order Coordination for Specified Conversion Time			UHL	OCOSL		\$32.77									
		4-WIRE DS1 DIGITAL LOOP															
		4-Wire DS1 Digital Loop - Zone 1		1	USL	USLXX	\$56.32	\$410.38	\$255.48	\$92.35	\$38.44	\$3.50	\$18.14	\$8.06	\$11.41		
		4-Wire DS1 Digital Loop - Zone 2		2	USL	USLXX	\$96.73	\$410.38	\$255.48	\$92.35	\$38.44	\$3.50	\$18.14	\$8.06	\$11.41		
		4-Wire DS1 Digital Loop - Zone 3		3	USL	USLXX	\$197.57	\$410.38	\$255.48	\$92.35	\$38.44	\$3.50	\$18.14	\$8.06	\$11.41		
		Order Coordination for Specified Conversion Time			USL	OCOSL		\$33.05									
		4-WIRE 19.2, 56 OR 64 KBPS DIGITAL GRADE LOOP															
		4 Wire Unbundled Digital 19.2 Kbps		1	UDL	UDL19	\$27.5	\$333.28	\$230.5	\$87.99	\$44.24	\$3.5	\$18.14	\$8.06	\$11.41		
		4 Wire Unbundled Digital 19.2 Kbps		2	UDL	UDL19	\$47.24	\$333.28	\$230.5	\$87.99	\$44.24	\$3.50	\$18.14	\$8.04	\$11.41		
		4 Wire Unbundled Digital 19.2 Kbps		3	UDL	UDL19	\$96.48	\$333.28	\$230.5	\$87.99	\$44.24	\$3.5	\$18.14	\$8.06	\$11.41		
		4 Wire Unbundled Digital Loop 56 Kbps - Zone 1		1	UDL	UDL56	\$27.50	\$333.28	\$230.50	\$87.99	\$44.24	\$3.50	\$18.14	\$8.06	\$11.41		
		4 Wire Unbundled Digital Loop 56 Kbps - Zone 2		2	UDL	UDL56	\$47.24	\$333.28	\$230.50	\$87.99	\$44.24	\$3.50	\$18.14	\$8.06	\$11.41		
		4 Wire Unbundled Digital Loop 56 Kbps - Zone 3		3	UDL	UDL56	\$96.48	\$333.28	\$230.50	\$87.99	\$44.24	\$3.50	\$18.14	\$8.06	\$11.41		
		Order Coordination for Specified Conversion Time			UDL	OCOSL		\$32.77									
		4 Wire Unbundled Digital Loop 64 Kbps - Zone 1		1	UDL	UDL64	\$27.50	\$333.28	\$230.50	\$87.99	\$44.24	\$3.50	\$18.14	\$8.06	\$11.41		
		4 Wire Unbundled Digital Loop 64 Kbps - Zone 2		2	UDL	UDL64	\$47.24	\$333.28	\$230.50	\$87.99	\$44.24	\$3.50	\$18.14	\$8.06	\$11.41		
		4 Wire Unbundled Digital Loop 64 Kbps - Zone 3		3	UDL	UDL64	\$96.48	\$333.28	\$230.50	\$87.99	\$44.24	\$3.50	\$18.14	\$8.06	\$11.41		
		Order Coordination for Specified Conversion Time			UDL	OCOSL		\$32.77									
		2-WIRE Unbundled COPPER LOOP															

BELLSOUTH / METROMEDIA FIBER NETWORK SERVICES RATES
Unbundled Network Elements
LOUISIANA

CATEGORY	NOTES	UNBUNDLED NETWORK ELEMENT	Interim	Zone	BCS	USOC	RATES				OSS RATES										
							Rec	First	Add'l	First	Add'l	SOMEC	SOMAN	SOMAN	SOMAN	SOMAN	SOMAN				
																		Nonrecurring		Nonrecurring	
																		Disconnect		Disconnect	
Svc Order Submitted Elec per LSR	Svc Order Submitted Manually per LSR	Incremental Charge - Manual Svc Order vs. Electronic-1st	Incremental Charge - Manual Svc Order vs. Electronic-Add'l	Incremental Charge - Manual Svc Order vs. Electronic-Disc 1st	Incremental Charge - Manual Svc Order vs. Electronic-Disc Add'l																
		2-Wire Unbundled Copper Loop/Short including manual service inquiry & facility reservation - Zone 1		1	UCL	UCLPB	\$15.97	\$283.15	\$163.59	\$120.02	\$22.34	\$3.50	\$19.99								
		2-Wire Unbundled Copper Loop/Short including manual service inquiry & facility reservation - Zone 2		2	UCL	UCLPB	\$17.99	\$283.15	\$163.59	\$120.02	\$22.34	\$3.50	\$19.99								
		2 Wire Unbundled Copper Loop/Short including manual service inquiry & facility reservation - Zone 3		3	UCL	UCLPB	\$18.18	\$283.15	\$163.59	\$120.02	\$22.34	\$3.50	\$19.99								
		Order Coordination for Unbundled Copper Loops (per loop)			UCL	UCLMC		\$34.9	\$34.9												
		2-Wire Unbundled Copper Loop/Short without manual service inquiry and facility reservation - Zone 1		1	UCL	UCLPW	\$15.97	\$202.88	\$127.16	\$100.41	\$15.81	\$3.50	\$19.99								
		2-Wire Unbundled Copper Loop/Short without manual service inquiry and facility reservation - Zone 2		2	UCL	UCLPW	\$17.47	\$202.88	\$127.16	\$100.41	\$15.81	\$3.50	\$19.99								
		2-Wire Unbundled Copper Loop/Short without manual service inquiry and facility reservation - Zone 3		3	UCL	UCLPW	\$18.18	\$202.88	\$127.16	\$100.41	\$15.81	\$3.50	\$19.99								
		Order Coordination for Unbundled Copper Loops (per loop)			UCL	UCLMC		\$34.9	\$34.9												
		2-Wire Unbundled Copper Loop/Long - includes manual svcs. inquiry and facility reservation - Zone 1		1	UCL	UCL2L	\$42.85	\$269.99	\$150.43	\$120.02	\$22.34	\$3.50	\$19.99								
		2-Wire Unbundled Copper Loop/Long - includes manual svcs. inquiry and facility reservation - Zone 2		2	UCL	UCL2L	\$57.79	\$269.99	\$150.43	\$120.02	\$22.34	\$3.50	\$19.99								
		2-Wire Unbundled Copper Loop/Long - includes manual svcs. inquiry and facility reservation - Zone 3		3	UCL	UCL2L	\$100.8	\$269.99	\$150.43	\$120.02	\$22.34	\$3.50	\$19.99								
		Order Coordination for Unbundled Copper Loops (per loop)			UCL	UCLMC		\$34.9	\$34.9												
		2-Wire Unbundled Copper Loop/Long - without manual service inquiry and facility reservation - Zone 1		1	UCL	UCL2W	\$42.85	\$189.73	\$114.01	\$100.41	\$15.81	\$3.50	\$19.99								
		2-Wire Unbundled Copper Loop/Long - without manual service inquiry and facility reservation - Zone 2		2	UCL	UCL2W	\$57.79	\$189.73	\$114.01	\$100.41	\$15.81	\$3.50	\$19.99								
		2-Wire Unbundled Copper Loop/Long - without manual service inquiry and facility reservation - Zone 3		3	UCL	UCL2W	\$100.8	\$189.73	\$114.01	\$100.41	\$15.81	\$3.50	\$19.99								
		Order Coordination for Unbundled Copper Loops (per loop)			UCL	UCLMC		\$34.90	\$34.9												
		2-Wire Unbundled Copper Loop - Non-Designed Zone 1	I	1	UEQ	UEQ2X	\$11.01	\$44.69	\$22.40	\$25.65	\$7.06	\$3.5		\$18.14	\$8.06	\$11.41	\$11.41				
		2 Wire Unbundled Copper Loop - Non-Designed - Zone 2	I	2	UEQ	UEQ2X	\$12.67	\$44.69	\$22.40	\$25.65	\$7.06	\$3.5		\$18.14	\$8.06	\$11.41	\$11.41				
		2 Wire Unbundled Copper Loop - Non-Designed - Zone 3	I	3	UEQ	UEQ2X	\$20.22	\$44.69	\$22.40	\$25.65	\$7.06	\$3.5		\$18.14	\$8.06	\$11.41	\$11.41				
		Order Coordination 2 Wire Unbundled Copper Loop - Non-Designed (per loop)			UEQ	USBMC		\$34.90	\$34.90												
		Engineering Information Document			UEQ			\$28.72	\$28.72												
		Loop Testing - Basic 1st Half Hour			UEQ	URET1		\$78.92	\$78.92												
		Loop Testing - Basic Additional Half Hour			UEQ	URETA		\$23.33	\$23.33												
		4-WIRE COPPER LOOP																			
		4-Wire Copper Loop/Short - including manual service inquiry and facility reservation - Zone 1		1	UCL	UCL4S	\$28.68	\$331.51	\$211.94	\$132.43	\$27.97	\$3.50	\$19.99								
		4-Wire Copper Loop/Short - including manual service inquiry and facility reservation - Zone 2		2	UCL	UCL4S	\$26.01	\$331.51	\$211.94	\$132.43	\$27.97	\$3.50	\$19.99								
		4-Wire Copper Loop/Short - including manual service inquiry and facility reservation - Zone 3		3	UCL	UCL4S	\$27.9	\$331.51	\$211.94	\$132.43	\$27.97	\$3.50	\$19.99								
		Order Coordination for Unbundled Copper Loops (per loop)			UCL	UCLMC		\$34.9	\$34.9												
		4-Wire Copper Loop/Short - without manual service inquiry and facility reservation - Zone 1		1	UCL	UCL4W	\$28.68	\$251.24	\$175.52	\$111.45	\$20.98	\$3.50	\$19.99								
		4-Wire Copper Loop/Short - without manual service inquiry and facility reservation - Zone 2		2	UCL	UCL4W	\$26.01	\$251.24	\$175.52	\$111.45	\$20.98	\$3.50	\$19.99								
		4-Wire Copper Loop/Short - without manual service inquiry and facility reservation - Zone 3		3	UCL	UCL4W	\$27.9	\$251.24	\$175.52	\$111.45	\$20.98	\$3.50	\$19.99								
		Order Coordination for Unbundled Copper Loops (per loop)			UCL	UCLMC		\$34.9	\$34.9												
		4-Wire Unbundled Copper Loop/Long - includes manual svcs. inquiry and facility reservation - Zone 1		1	UCL	UCL4L	\$76.23	\$318.35	\$198.79	\$132.43	\$27.97	\$3.50	\$19.99								
		4-Wire Unbundled Copper Loop/Long - includes manual svcs. inquiry and facility reservation - Zone 2		2	UCL	UCL4L	\$112.23	\$318.35	\$198.79	\$132.43	\$27.97	\$3.50	\$19.99								
		4-Wire Unbundled Copper Loop/Long - includes manual svcs. inquiry and facility reservation - Zone 3		3	UCL	UCL4L	\$138.01	\$318.35	\$198.79	\$132.43	\$27.97	\$3.50	\$19.99								
		Order Coordination for Unbundled Copper Loops (per loop)			UCL	UCLMC		\$34.9	\$34.9												
		4-Wire Unbundled Copper Loop/Long - without manual svcs. inquiry and facility reservation - Zone 1		1	UCL	UCL4O	\$76.23	\$238.09	\$162.37	\$111.45	\$20.98	\$3.50	\$19.99								

BELLSOUTH / METROMEDIA FIBER NETWORK SERVICES RATES
Unbundled Network Elements
LOUISIANA

CATEGORY	NOTES	UNBUNDLED NETWORK ELEMENT	Interim	Zone	BCS	USOC	RATES					OSS RATES									
							Rec	First	Add'l	First	Add'l	SOMEC	SOMAN	SOMAN	SOMAN	SOMAN	SOMAN				
																		Nonrecurring		Nonrecurring	
																		Disconnect		Disconnect	
Svc Order Submitted Elec per LSR	Svc Order Submitted Manually per LSR	Incremental Charge - Manual Svc Order vs. Electronic-1st	Incremental Charge - Manual Svc Order vs. Electronic-Add'l	Incremental Charge - Manual Svc Order vs. Electronic-Disc 1st	Incremental Charge - Manual Svc Order vs. Electronic-Disc Add'l																
		4-Wire Unbundled Copper Loop/Long - without manual svc. inquiry and facility reservation - Zone 2		2	UCL	UCL4O	\$112.23	\$238.09	\$162.37	\$111.45	\$20.98	\$3.50	\$19.99								
		4-Wire Unbundled Copper Loop/Long - without manual svc. inquiry and facility reservation - Zone 3		3	UCL	UCL4O	\$138.01	\$238.09	\$162.37	\$111.45	\$20.98	\$3.50	\$19.99								
		Order Coordination for Unbundled Copper Loops (per loop)			UCL	UCLMC		\$34.9	\$34.9												
LOOP MODIFICATION																					
		Unbundled Loop Modification, Removal of Load Coils - 2 Wire pair less than or equal to 18k ft			UAL, UHL, UCL, UEQ	ULM2L		\$65.11	\$65.11												
		Unbundled Loop Modification, Removal of Load Coils - 2 wire greater than 18k ft			UCL	ULM2G		\$341.16	\$341.16												
		Unbundled Loop Modification Removal of Load Coils - 4 Wire less than or equal to 18k ft			UHL, UCL	ULM4L		\$65.11	\$65.11												
		Unbundled Loop Modification Removal of Load Coils - 4 Wire pair greater than 18k ft			UCL	ULM4G		\$341.16	\$341.16												
		Unbundled Loop Modification Removal of Bridged Tap Removal, per unbundled loop			UAL, UHL, UCL, UEQ, UEF	ULMBT		\$65.15	\$65.15												
SUB-LOOPS																					
Sub-Loop Distribution																					
		Sub-Loop - Per Cross Box Location - CLEC Feeder Facility Set-Up	I		UEANL	USBSA		\$612.58	\$612.58			\$3.50		\$18.14	\$8.06	\$11.41	\$11.41				
		Sub-Loop - Per Cross Box Location - Per 25 Pair Panel Set-Up	I		UEANL	USBSB		\$45.22	\$45.22			\$3.50		\$18.14	\$8.06	\$11.41	\$11.41				
		Sub-Loop - Per Building Equipment Room - CLEC Feeder Facility Set-Up	I		UEANL	USBSC		\$379.35	\$379.35			\$3.50		\$18.14	\$8.06	\$11.41	\$11.41				
		Sub-Loop - Per Building Equipment Room - Per 25 Pair Panel Set-Up	I		UEANL	USBSD		\$110.17	\$110.17			\$3.50		\$18.14	\$8.06	\$11.41	\$11.41				
		Sub-Loop Distribution Per 2-Wire Analog Voice Grade Loop - Zone 1	I	1	UEANL	USBN2	\$10.23	\$131.45	\$61.84	\$90.39	\$13.37	\$3.50		\$18.14	\$8.06	\$11.41	\$11.41				
		Sub-Loop Distribution Per 2-Wire Analog Voice Grade Loop - Zone 2	I	2	UEANL	USBN2	\$13.92	\$131.45	\$61.84	\$90.39	\$13.37	\$3.50		\$18.14	\$8.06	\$11.41	\$11.41				
		Sub-Loop Distribution Per 2-Wire Analog Voice Grade Loop - Zone 3	I	3	UEANL	USBN2	\$20.22	\$131.45	\$61.84	\$90.39	\$13.37	\$3.50		\$18.14	\$8.06	\$11.41	\$11.41				
		Order Coordination for Unbundled Sub-Loops, per sub-loop pair			UEANL	USBMC		\$32.77	\$32.77												
		Sub-Loop Distribution Per 4-Wire Analog Voice Grade Loop - Zone 1	I	1	UEANL	USBN4	\$15.14	\$157.89	\$88.29	\$100.74	\$18.38	\$3.50		\$18.14	\$8.06	\$11.41	\$11.41				
		Sub-Loop Distribution Per 4-Wire Analog Voice Grade Loop - Zone 2	I	2	UEANL	USBN4	\$19.64	\$157.89	\$88.29	\$100.74	\$18.38	\$3.50		\$18.14	\$8.06	\$11.41	\$11.41				
		Sub-Loop Distribution Per 4-Wire Analog Voice Grade Loop - Zone 3	I	3	UEANL	USBN4	\$24.00	\$157.89	\$88.29	\$100.74	\$18.38	\$3.50		\$18.14	\$8.06	\$11.41	\$11.41				
		Order Coordination for Unbundled Sub-Loops, per sub-loop pair			UEANL	USBMC		\$32.77	\$32.77												
		Sub-Loop 2-Wire IntraBuilding Network Cable (INC)	I		UEANL	USBR2	\$3.18	\$105.91	\$36.30	\$90.39	\$13.37	\$3.50		\$18.14	\$8.06	\$11.41	\$11.41				
		Order Coordination for Unbundled Sub-Loops, per sub-loop pair			UEANL	USBMC		\$32.77	\$32.77												
		Sub-Loop 4-Wire IntraBuilding Network Cable (INC)	I		UEANL	USBR4	\$7.20	\$118.39	\$48.77	\$100.74	\$18.38	\$3.50		\$18.14	\$8.06	\$11.41	\$11.41				
		Order Coordination for Unbundled Sub-Loops, per sub-loop pair			UEANL	USBMC		\$32.77	\$32.77												
		2 Wire Copper Unbundled Sub-Loop Distribution - Zone 1	I	1	UEF	UCS2X	\$8.41	\$131.45	\$61.84	\$90.39	\$13.37	\$3.50		\$18.14	\$8.06	\$11.41	\$11.41				
		2 Wire Copper Unbundled Sub-Loop Distribution - Zone 2	I	2	UEF	UCS2X	\$11.00	\$131.45	\$61.84	\$90.39	\$13.37	\$3.50		\$18.14	\$8.06	\$11.41	\$11.41				
		2 Wire Copper Unbundled Sub-Loop Distribution - Zone 3	I	3	UEF	UCS2X	\$13.50	\$131.45	\$61.84	\$90.39	\$13.37	\$3.50		\$18.14	\$8.06	\$11.41	\$11.41				
		Order Coordination for Unbundled Sub-Loops, per sub-loop pair			UEF	USBMC		\$32.77	\$32.77												
		4 Wire Copper Unbundled Sub-Loop Distribution - Zone 1	I	1	UEF	UCS4X	\$10.13	\$157.89	\$88.29	\$100.74	\$18.38	\$3.50		\$18.14	\$8.06	\$11.41	\$11.41				
		4 Wire Copper Unbundled Sub-Loop Distribution - Zone 2	I	2	UEF	UCS4X	\$13.06	\$157.89	\$88.29	\$100.74	\$18.38	\$3.50		\$18.14	\$8.06	\$11.41	\$11.41				
		4 Wire Copper Unbundled Sub-Loop Distribution - Zone 3	I	3	UEF	UCS4X	\$17.02	\$157.89	\$88.29	\$100.74	\$18.38	\$3.50		\$18.14	\$8.06	\$11.41	\$11.41				
		Order Coordination for Unbundled Sub-Loops, per sub-loop pair			UEF	USBMC		\$32.77	\$32.77												
Sub-Loop Feeder																					
		USL-Feeder, DS0 Set-up per Cross Box location - CLEC Distribution Facility set-up			UEA, UDN,UCL,UDL,UDC	USBFW		\$612.58													
		USL Feeder - DS0 Set-up per Cross Box location - per 25 pair set-up			UEA, UDN,UCL,UDL,UDC	USBFX		\$45.22	\$45.22												
		USL Feeder DS1 Set-up at DSX location, per DS1 termination			USL	USBFZ		\$568.98	\$11.3												
		Unbundled Sub-Loop Feeder Loop, 2 Wire Ground Start, Voice Grade - Zone 1		1	UEA	USBFA	\$10.98	\$184.76	\$111.8	\$108.27	\$26.66	\$3.50	\$19.99								
		Unbundled Sub-Loop Feeder Loop, 2 Wire Ground-Start, Voice Grade - Zone 2		2	UEA	USBFA	\$13.31	\$184.76	\$111.8	\$108.27	\$26.66	\$3.50	\$19.99								
		Unbundled Sub-Loop Feeder Loop, Per 2 Wire Ground-Start, Voice Grade - Zone 3		3	UEA	USBFA	\$21.51	\$184.76	\$111.8	\$108.27	\$26.66	\$3.50	\$19.99								
		Order Coordination for Specified Conversion Time, per LSR			UEA	OCOSL		\$32.77													
		Unbundle Sub-Loop Feeder Loop, 2 Wire Loop-Start, Voice Grade - Zone 1		1	UEA	USBFB	\$10.98	\$184.76	\$111.80	\$108.27	\$26.66	\$3.50	\$19.99								

BELLSOUTH / METROMEDIA FIBER NETWORK SERVICES RATES
Unbundled Network Elements
LOUISIANA

CATEGORY	NOTES	UNBUNDLED NETWORK ELEMENT	Interim	Zone	BCS	USOC	RATES					OSS RATES						
							Rec	First	Add'l	First	Add'l	SOMEC	SOMAN	SOMAN	SOMAN	SOMAN	SOMAN	SOMAN
		Unbundled Sub-Loop Feeder Loop, 2 Wire Loop-Start, Voice Grade - Zone 2		2	UEA	USBFB	\$13.31	\$184.76	\$111.80	\$108.27	\$26.66	\$3.50	\$19.99					
		Unbundled Sub-Loop Feeder Loop, 2 Wire Start Loop, Voice Grade - Zone 3		3	UEA	USBFB	\$21.51	\$184.76	\$111.80	\$108.27	\$26.66	\$3.50	\$19.99					
		Order Coordination for Specified Time Conversion, per LSR			UEA	OCOSL		\$32.77										
		Unbundled Sub-Loop Feeder Loop, 2 Wire Reverse Battery, Voice Grade - Zone 1		1	UEA	USBFC	\$10.98	\$184.76	\$111.8	\$108.27	\$26.66	\$3.50	\$19.99					
		Unbundled Sub-Loop Feeder Loop, 2 Wire Reverse Battery, Voice Grade - Zone 2		2	UEA	USBFC	\$13.31	\$184.76	\$111.8	\$108.27	\$26.66	\$3.50	\$19.99					
		Unbundled Sub-Loop Feeder Loop, 2 Wire Analog Reverse Battery, Voice Grade - Zone 3		3	UEA	USBFC	\$21.51	\$184.76	\$111.80	\$108.27	\$26.66	\$3.50	\$19.99					
		Order Coordination For Specified Conversion Time, per LSR			UEA	OCOSL		\$32.77										
		Unbundled Sub-Loop Feeder Loop, 4 Wire Ground-Start, Voice Grade - Zone 1		1	UEA	USBFD	\$25.83	\$213.33	\$138.47	\$124.72	\$34.25	\$3.50	\$19.99					
		Unbundled Sub-Loop Feeder Loop, 4 Wire Ground-Start, Voice Grade - Zone 2		2	UEA	USBFD	\$26.93	\$213.33	\$138.47	\$124.72	\$34.25	\$3.50	\$19.99					
		Unbundled Sub-Loop Feeder Loop, 4 Wire Ground Start, Voice Grade - Zone 3		3	UEA	USBFD	\$25.51	\$213.33	\$138.47	\$124.72	\$34.25	\$3.50	\$19.99					
		Order Coordination For Specified Conversion Time, Per LSR			UEA	OCOSL		\$32.77										
		Unbundled Sub-Loop Feeder Loop, 4 Wire Loop-Start, Voice Grade - Zone 1		1	UEA	USBFE	\$25.83	\$213.33	\$138.47	\$124.72	\$34.25	\$3.50	\$19.99					
		Unbundled Sub-Loop Feeder Loop, 4 Wire Loop-Start, Voice Grade - Zone 2		2	UEA	USBFE	\$36.93	\$213.33	\$138.47	\$124.72	\$34.25	\$3.50	\$19.99					
		Unbundled Sub-Loop Feeder Loop, 4 Wire Loop-Start, Voice Grade - Zone 3		3	UEA	USBFE	\$25.51	\$213.33	\$138.47	\$124.72	\$34.25	\$3.50	\$19.99					
		Order Coordination For Specified Conversion Time, Per LSR			UEA	OCOSL		\$32.77										
		Unbundled Sub-Loop Feeder Loop, 2 Wire ISDN BRI - Zone 1		1	UDN	USBFF	\$19.39	\$211.05	\$136.19	\$110.52	\$25.91	\$3.50	\$19.99					
		Unbundled Sub-Loop Feeder Loop, 2-Wire ISDN BRI - Zone 2		2	UDN	USBFF	\$24.12	\$211.05	\$136.19	\$110.52	\$25.91	\$3.50	\$19.99					
		Unbundled Sub-Loop Feeder Loop, 2-Wire ISDN BRI - Zone 3		3	UDN	USBFF	\$32.5	\$211.05	\$136.19	\$110.52	\$25.91	\$3.50	\$19.99					
		Order Coordination For Specified Conversion Time, Per LSR			UDN	OCOSL		\$32.77										
		Unbundled Sub-Loop Feeder, 2 Wire UDC (IDSL compatible)		1	UDC	USBFS	\$19.39	\$211.05	\$136.19	\$110.52	\$25.91	\$3.5	\$19.99					
		Unbundled Sub-Loop Feeder, 2 Wire UDC (IDSL compatible)		2	UDC	USBFS	\$24.12	\$211.05	\$136.19	\$110.52	\$25.91	\$3.5	\$19.99					
		Unbundled Sub-Loop Feeder, 2 Wire UDC (IDSL compatible)		3	UDC	USBFS	\$32.5	\$211.05	\$136.19	\$110.52	\$25.91	\$3.5	\$19.99					
		Unbundled Sub-Loop Feeder Loop, 4-Wire DS1 - Zone 1		1	USL	USBFG	\$64.62	\$201.93	\$127.07	\$124.72	\$34.25	\$3.50	\$19.99					
		Unbundled Sub-Loop Feeder, 4-Wire DS1 - Zone 2		2	USL	USBFG	\$92.63	\$201.93	\$127.07	\$124.72	\$34.25	\$3.50	\$19.99					
		Unbundled Sub-Loop Feeder Loop, 4-Wire DS1 - Zone 3		3	USL	USBFG	\$309.79	\$201.93	\$127.07	\$124.72	\$34.25	\$3.50	\$19.99					
		Order Coordination For Specified Conversion Time, Per LSR			USL	OCOSL		\$32.77										
		Unbundled Sub-Loop Feeder, 2-Wire Copper Loop - Zone 1		1	UCL	USBFH	\$8.74	\$167.38	\$92.53	\$105.91	\$21.31	\$3.50	\$19.99					
		Unbundled Sub-Loop Feeder Loop, 2-Wire Copper Loop - Zone 2		2	UCL	USBFH	\$7.61	\$167.38	\$92.53	\$105.91	\$21.31	\$3.50	\$19.99					
		Unbundled Sub-Loop Feeder Loop, 2-Wire Copper Loop - Zone 3		3	UCL	USBFH	\$5.83	\$167.38	\$92.53	\$105.91	\$21.31	\$3.50	\$19.99					
		Order Coordination For Specified Conversion Time, per LSR			UCL	OCOSL		\$32.77										
		Sub-Loop Feeder - Per 4-Wire Copper Loop - Zone 1		1	UCL	USBFJ	\$20.46	\$201.76	\$126.91	\$117.34	\$26.87	\$3.50	\$19.99					
		Sub-Loop Feeder - Per 4-Wire Copper Loop - Zone 2		2	UCL	USBFJ	\$14.80	\$201.76	\$126.91	\$117.34	\$26.87	\$3.50	\$19.99					
		Sub-Loop Feeder - Per 4-Wire Copper Loop - Zone 3		3	UCL	USBFJ	\$12.89	\$201.76	\$126.91	\$117.34	\$26.87	\$3.50	\$19.99					
		Order Coordination For Specified Conversion Time, per LSR			UCL	OCOSL		\$32.77										
		Sub-Loop Feeder - Per 4-Wire 19.2 Kbps Digital Grade Loop		1	UDL	USBFN	\$27.11	\$201.93	\$127.07	\$124.72	\$34.25	\$3.5	\$19.99					
		Sub-Loop Feeder - Per 4-Wire 19.2 Kbps Digital Grade Loop		2	UDL	USBFN	\$24.84	\$201.93	\$127.07	\$124.72	\$34.25	\$3.5	\$19.99					
		Sub-Loop Feeder - Per 4-Wire 19.2 Kbps Digital Grade Loop		3	UDL	USBFN	\$24.95	\$201.93	\$127.07	\$124.72	\$34.25	\$3.5	\$19.99					
		Sub-Loop Feeder - Per 4-Wire 56 Kbps Digital Grade Loop - Zone 1		1	UDL	USBFO	\$27.11	\$201.93	\$127.07	\$124.72	\$34.25	\$3.50	\$19.99					
		Sub-Loop Feeder - Per 4-Wire 56 Kbps Digital Grade Loop - Zone 2		2	UDL	USBFO	\$24.84	\$201.93	\$127.07	\$124.72	\$34.25	\$3.50	\$19.99					
		Sub-Loop Feeder - Per 4-Wire 56 Kbps Digital Grade Loop - Zone 3		3	UDL	USBFO	\$24.95	\$201.93	\$127.07	\$124.72	\$34.25	\$3.50	\$19.99					
		Order Coordination For Specified Time Conversion, per LSR			UDL	OCOSL		\$32.77										
		Sub-Loop Feeder - Per 4-Wire 64 Kbps Digital Grade Loop - Zone 1		1	UDL	USBFP	\$27.11	\$201.93	\$127.07	\$124.72	\$34.25	\$3.50	\$19.99					
		Sub-Loop Feeder - Per 4-Wire 64 Kbps Digital Grade Loop - Zone 2		2	UDL	USBFP	\$24.84	\$201.93	\$127.07	\$124.72	\$34.25	\$3.50	\$19.99					
		Sub-Loop Feeder - Per 4-Wire 64 Kbps Digital Grade Loop - Zone 3		3	UDL	USBFP	\$24.95	\$201.93	\$127.07	\$124.72	\$34.25	\$3.50	\$19.99					
		Order Coordination For Specified Conversion Time, per LSR			UDL	OCOSL		\$32.77										
		Unbundled Sub-Loop Modification																
		Unbundled Sub-Loop Modification - 2-W Copper Dist Load Coil/Equip Removal per 2-W PR			UEF	ULM2X		\$355.32	\$12.25			\$3.50		\$18.14	\$8.06	\$11.41	\$11.41	
		Unbundled Sub-loop Modification - 4-W Copper Dist Load Coil/Equip Removal per 4-W PR			UEF	ULM4X		\$355.32	\$12.25			\$3.50		\$18.14	\$8.06	\$11.41	\$11.41	

BELLSOUTH / METROMEDIA FIBER NETWORK SERVICES RATES
Unbundled Network Elements
LOUISIANA

CATEGORY	NOTES	UNBUNDLED NETWORK ELEMENT	Interim	Zone	BCS	USOC	RATES				OSS RATES					
							Rec	First	Add'l	Nonrecurring	SOME C	SOMAN	SOMAN	SOMAN	SOMAN	SOMAN
Rec	First	Add'l	Nonrecurring	Disconnect	SOME C	SOMAN	SOMAN	SOMAN	SOMAN	SOMAN	SOMAN	SOMAN				
		Unbundled Sub-loop Modification - 2-w/4-w Copper Dist Bridged Tap Removal, per PR unloaded			UEF	ULM4T	\$559.94	\$14.28			\$3.50	\$18.14		\$8.06	\$11.41	\$11.41
		Unbundled Network Terminating Wire (UNTW)														
		Unbundled Network Terminating Wire (UNTW) per Pair			UENTW	UENPP	\$0.35	\$62.26	\$62.26		\$3.50		\$18.14	\$8.06	\$11.41	\$1.41
		Network Interface Device (NID)														
		Network Interface Device (NID) - 1-2 lines			UENTW	UND12	\$86.37	\$56.69								
		Network Interface Device (NID) - 1-6 lines			UENTW	UND16	\$127.79	\$98.11								
		Network Interface Device Cross Connect - 2 W			UENTW	UNDC2	\$11.72	\$11.72		\$3.50		\$18.14	\$8.06	\$11.41	\$11.41	
		Network Interface Device Cross Connect - 4W			UENTW	UNDC4	\$11.72	\$11.72		\$3.50		\$18.14	\$8.06	\$11.41	\$11.41	
		UNBUNDLED LOOP CONCENTRATION														
		Unbundled Loop Concentration - System A (TR008)			ULC	UCT8A	\$432.54	\$650.11	\$650.11							
		Unbundled Loop Concentration - System B (TR008)			ULC	UCT8B	\$61.71	\$270.88	\$270.88							
		Unbundled Loop Concentration - System A (TR303)			ULC	UCT3A	\$476.24	\$650.11	\$650.11							
		Unbundled Loop Concentration - System B (TR303)			ULC	UCT3B	\$103.99	\$270.88	\$270.88							
		Unbundled Loop Concentration - DS1 Loop Interface Card			ULC	UCTCO	\$5.91	\$126.43	\$92.04	\$34.02	\$9.52					
		Unbundled Loop Concentration - ISDN Loop Interface (Brite Card)			UDN	ULCC1	\$9.39	\$21.05	\$20.93	\$10.92	\$10.86					
		Unbundled Loop Concentration - UDC Loop Interface (Brite Card)			UDC	ULCCU	\$9.39	\$21.05	\$20.93	\$10.92	\$10.86					
		Unbundled Loop Concentration - 2 Wire Voice-Loop Start or Ground Start Loop Interface (POTS Card)			UEA	ULCC2	\$2.35	\$21.05	\$20.93	\$10.92	\$10.86					
		Unbundled Loop Concentration - 2 Wire Voice - Reverse Battery Loop Interface (SPOTS Card)			UEA	ULCCR	\$13.95	\$21.05	\$20.93	\$10.92	\$10.86					
		Unbundled Loop Concentration - 4 Wire Voice Loop Interface			UEA	ULCC4	\$8.32	\$21.05	\$20.93	\$10.92	\$10.86					
		Unbundled Loop Concentration - TEST CIRCUIT Card			ULC	UCTTC	\$40.67	\$21.05	\$20.93	\$10.92	\$10.86					
		Unbundled Loop Concentration - Digital 19.2 Kbps Data Loop Interface			UDL	ULCC7	\$12.33	\$21.05	\$20.93	\$10.92	\$10.86					
		Unbundled Loop Concentration - Digital 56 Kbps Data Loop Interface			UDL	ULCC5	\$12.33	\$21.05	\$20.93	\$10.92	\$10.86					
		Unbundled Loop Concentration - Digital 64 Kbps Data Loop Interface			UDL	ULCC6	\$12.33	\$21.05	\$20.93	\$10.92	\$10.86					
		UNBUNDLED SUB-LOOP CONCENTRATION (OUTSIDE CO)														
		UNE OTHER, PROVISIONING ONLY - NO RATE														
		NID - Dispatch and Service Order for NID installation			UENTW	UNDBX										
		UNTW Circuit Id Establishment, Provisioning Only - No Rate			UENTW	UENCE										
		Unbundled Contract Name, Provisioning Only - No Rate			UEANL,UEF,UEQ,UEN TW	UNECN										
		Unbundled Contact Name, Provisioning Only - no rate			UAL,UCL,UDC,UDL,U DN,UEA,UHL,ULC	UNECN	\$0.0	\$0.0								
		Unbundled Sub-Loop Feeder-2 Wire Cross Box Jumper - no rate			UEA,UDN,UCL,UDC	USBFQ	\$0.0	\$0.0								
		Unbundled Sub-Loop Feeder-4 Wire Cross Box Jumper - no rate			UEA,USL,UCL,UDL	USBFR	\$0.0	\$0.0								
		Unbundled DS1 Loop - Superframe Format Option - no rate			USL	CCOSF	\$0.0	\$0.0								
		Unbundled DS1 Loop - Expanded Superframe Format option - no rate			USL	CCOEF	\$0.0	\$0.0								
		HIGH CAPACITY UNBUNDLED LOCAL LOOP														
		NOTE: 4 month minimum billing period														
		High Capacity Unbundled Local Loop - DS3 - Per Mile per month			UE3	1L5ND	\$12.75									
		High Capacity Unbundled Local Loop - DS3 - Facility Termination per month			UE3	UE3PX	\$419.1	\$902.06	\$527.6	\$242.15	\$169.38	\$3.5	\$31.27	\$31.27	\$3.92	\$3.92
		High Capacity Unbundled Local Loop - STS-1 - Per Mile per month			UDLSX	1L5ND	\$12.75									
		High Capacity Unbundled Local Loop - STS-1 - Facility Termination per month			UDLSX	UDLS1	\$433.21	\$902.06	\$527.06	\$242.15	\$169.38	\$3.5	\$31.27	\$31.27	\$3.92	\$3.92
		LOOP MAKE-UP														
		Loop Makeup - Preordering Without Reservation, per working or spare facility queried (Manual). **			UMK	UMKLW		\$47.91	\$47.91							

BELLSOUTH / METROMEDIA FIBER NETWORK SERVICES RATES
Unbundled Network Elements
LOUISIANA

CATEGORY	NOTES	UNBUNDLED NETWORK ELEMENT	Interim	Zone	BCS	USOC	RATES				OSS RATES						
							Rec	Nonrecurring		First	Add'l	SOME C	SOMAN	SOMAN	SOMAN	SOMAN	SOMAN
								First	Add'l								
								Nonrecurring	Disconnect								
Svc Order Submitted Elec per LSR	Svc Order Submitted Manually per LSR	Incremental Charge - Manual Svc Order vs. Electronic-1st	Incremental Charge - Manual Svc Order vs. Electronic-Add'l	Incremental Charge - Manual Svc Order vs. Electronic-Disc 1st	Incremental Charge - Manual Svc Order vs. Electronic-Disc Add'l												
		Loop Makeup - Preordering With Reservation, per spare facility queried (Manual). **			UMK	UMKLP		\$50.80	\$50.80								
		Loop Makeup--With or Without Reservation, per working or spare facility queried (Mechanized) **						\$0.6852	\$0.6852								
LINE SHARING																	
		Line Sharing Splitter, per System 96 Line Capacity	I		ULS	ULSDA	\$215.88	\$377.17	\$0.0	\$355.58	\$0.0	\$0.0					
		Line Sharing Splitter, per System 24 Line Capacity	I		ULS	ULSDB	\$53.97	\$377.17	\$0.0	\$355.58	\$0.0	\$0.0					
		Line Sharing - per Line Activation	I		ULS	ULSDC	\$0.61	\$36.97	\$21.17	\$20.00	\$9.82	\$3.50	\$18.14	\$8.06	\$11.41	\$11.41	
		Line Sharing - per Subsequent Activity per Line Rearrangement	I		ULS	ULSDS		\$32.74	\$16.35		\$3.50		\$18.14	\$8.06			
		Line Sharing-CLEC/DLEC Owned Splitter in CO-per occurrence of each group of 24 lines (48 pr)	I		ULS	ULSDG		\$57.64		\$11.37							
UNBUNDLED TRANSPORT																	
COMMON TRANSPORT (Shared)																	
		Common Transport - Per Mile, Per MOU						\$0.0000083									
		Common Transport - Facilities Termination Per MOU						\$0.00047									
NOTE: INTEROFFICE CHANNEL - DEDICATED TRANSPORT - minimum billing period: below DS3 = one month, DS3 and above four months																	
INTEROFFICE CHANNEL - DEDICATED TRANSPORT - VOICE GRADE																	
		Interoffice Channel - Dedicated Transport - 2-Wire Voice Grade - Per Mile per month			U1TVX	1L5XX	\$0.0165										
		Interoffice Channel - Dedicated Transport- 2- Wire Voice Grade - Facility Termination per month			U1TVX	U1TV2	\$26.12	\$80.98	\$54.76	\$33.91	\$13.97	\$3.5	\$31.27	\$31.27	\$3.92	\$3.92	
		Interoffice Channel - Dedicated Transport- 2-Wire Voice Grade Rev Bat. - Per Mile per month			U1TVX	1L5XX	\$0.0165										
		Interoffice Channel - Dedicated Transport- 2- Wire VG Rev Bat. - Facility Termination per month			U1TVX	U1TR2	\$26.12	\$80.98	\$54.76	\$33.91	\$13.97	\$3.50	\$31.27	\$31.27	\$3.92	\$3.92	
		Interoffice Channel - Dedicated Transport - 4-Wire Voice Grade - Per Mile per month			U1TVX	1L5XX	\$0.0165										
		Interoffice Channel - Dedicated Transport - 4- Wire Voice Grade - Facility Termination per month			U1TVX	U1TV4	\$22.89	\$80.98	\$54.76	\$33.91	\$13.97	\$3.5	\$31.27	\$31.27	\$3.92	\$3.92	
		Interoffice Channel - Dedicated Transport - 56 kbps - per mile per month			U1TDX	1L5XX	\$0.0165										
		Interoffice Channel - Dedicated Transport - 56 kbps - Facility Termination per month			U1TDX	U1TD5	\$26.12	\$80.98	\$54.76	\$33.91	\$13.97	\$3.5	\$31.27	\$31.27	\$3.92	\$3.92	
		Interoffice Channel - Dedicated Transport - 64 kbps - per mile per month			U1TDX	1L5XX	\$0.0165										
		Interoffice Channel - Dedicated Transport - 64 kbps - Facility Termination per month			U1TDX	U1TD6	\$26.12	\$80.98	\$54.76	\$33.91	\$13.97	\$3.50	\$31.27	\$31.27	\$3.92	\$3.92	
INTEROFFICE CHANNEL - DEDICATED TRANSPORT - DS1																	
		Interoffice Channel - Dedicated Channel - DS1 - Per Mile per month			U1TD1	1L5XX	\$0.3367										
		Interoffice Channel - Dedicated Transport - DS1 - Facility Termination per month			U1TD1	U1TF1	\$81.45	\$178.34	\$163.44	\$33.13	\$29.27	\$3.5	\$31.27	\$31.27	\$3.92	\$39.92	
INTEROFFICE CHANNEL - DEDICATED TRANSPORT- DS3																	
		Interoffice Channel - Dedicated Transport - DS3 - Per Mile per month			U1TD3	1L5XX	\$7.46										
		Interoffice Channel - Dedicated Transport - DS3 - Facility Termination per month			U1TD3	U1TF3	\$982.87	\$556.98	\$325.16	\$121.99	\$118.47	\$3.5	\$31.27	\$31.27	\$3.92	\$3.92	
INTEROFFICE CHANNEL - DEDICATED TRANSPORT- STS-1																	
		Interoffice Channel - Dedicated Transport - STS-1 - Per Mile per month			U1TS1	1L5XX	\$7.67										
		Interoffice Channel - Dedicated Transport - STS-1 - Facility Termination per month			U1TS1	U1TFS	\$959.46	\$556.89	\$325.16	\$121.99	\$118.47	\$3.5	\$31.27	\$31.27	\$3.92	\$3.92	

BELLSOUTH / METROMEDIA FIBER NETWORK SERVICES RATES
Unbundled Network Elements
LOUISIANA

CATEGORY	NOTES	UNBUNDLED NETWORK ELEMENT	Interim	Zone	BCS	USOC	RATES				OSS RATES								
							Rec	First	Add'l	Nonrecurring	SOMEC	SOMAN	SOMAN	SOMAN	SOMAN	SOMAN			
																	Nonrecurring	Disconnect	Svc Order Submitted Elec per LSR
LOCAL CHANNEL - DEDICATED TRANSPORT																			
NOTE: LOCAL CHANNEL DEDICATED TRANSPORT - minimum billing period - below DS3=one month, DS3 and above=four months																			
		Local Channel - Dedicated - 2-Wire Voice Grade Per Month			ULCVX	ULDV2	\$21.42	\$385.78	\$66.26	\$74.25	\$6.48	\$3.5		\$31.27	\$31.27	\$3.92	\$3.92		
		Local Channel - Dedicated - 2-Wire Voice Grade Rev Bat per month			ULCVX	ULDR2	\$21.42	\$385.78	\$66.26	\$74.25	\$6.48	\$3.5		\$31.27	\$31.27	\$3.92	\$3.92		
		Local Channel - Dedicated - 4-Wire Voice Grade per month			UNCVX	ULDV4	\$22.7	\$385.78	\$66.26	\$74.25	\$6.48	\$12.53		\$31.26	\$31.26	\$3.92	\$3.92		
		Local Channel - Dedicated - DS1 per month - Zone 1		1	ULDD1	ULDF1	\$45.1	\$354.56	\$307.1	\$44.97	\$30.93	\$3.5		\$31.27	\$31.27	\$3.92	\$3.92		
		Local Channel - Dedicated - DS1 per month - Zone 2		2	ULDD1	ULDF1	\$85.62	\$354.56	\$45.1	\$307.1	\$44.97	\$3.50		\$31.27	\$31.27	\$3.92	\$3.92		
		Local Channel - Dedicated - DS1 per month - Zone 3		3	ULDD1	ULDF1	\$144.95	\$354.56	\$307.1	\$44.97	\$30.93	\$3.50		\$31.27	\$31.27	\$3.92	\$3.92		
		Local Channel - Dedicated - DS3 - Per Mile per month			ULDD3	1L5NC	\$9.92												
		Local Channel - Dedicated - DS3 - Facility Termination per month			ULDD3	ULDF3	\$534.82	\$902.06	\$527.3	\$242.16	\$169.38	\$3.5		\$31.27	\$31.27	\$3.92	\$3.92		
		Local Channel - Dedicated - STS-1 - Per Mile per month			ULDS1	1L5NC	\$9.92												
		Local Channel - Dedicated - STS-1 - Facility Termination per month			ULDS1	ULDFS	\$529.62	\$902.06	\$534.82	\$527.3	\$242.16	\$3.50		\$31.27	\$31.27	\$3.92	\$3.92		
MULTIPLEXERS																			
		Channelization - DS1 to DS0 Channel System			UXTD1	MQ1	\$121.5	\$181.88	\$125.01	\$21.35	\$19.84	\$3.5		\$31.27	\$31.27	\$3.92	\$3.92		
		OCU-DP COCI (data) - DS1 to DS0 Channel System - per month (2.4-64kbs)			UDL	1D1DD	\$1.6	\$13.14	\$9.42										
		2-wire ISDN COCI (BRITE) - DS1 to DS0 Channel System - per month			UDN	UC1CA	\$3.43	\$13.14	\$9.42										
		Voice Grade COCI - DS1 to DS0 Channel System - per month			UEA	1D1VG	\$0.7509	\$13.14	\$9.42										
		DS3 to DS1 Channel System per month			UXTD3	MQ3	\$233.25	\$355.89	\$187.73	\$67.4	\$64.49	\$3.5		\$31.27	\$31.27	\$3.92	\$3.92		
		STS1 to DS1 Channel System per month			UXTS1	MQ3	\$233.25	\$355.89	\$187.73	\$67.4	\$64.49	\$3.50		\$31.27	\$31.27	\$3.92	\$3.92		
		DS3 Interface Unit (DS1 COCI) used with Loop per month			USL	UC1D1	\$13.64	\$13.14	\$9.42										
DARK FIBER																			
		Dark Fiber, Four Fiber Strands, Per Route Mile or Fraction Thereof per month - Local Channel			UDF	1L5DC	\$62.92												
		NRC Dark Fiber - Local Channel			UDF	UDFC4	\$1,276.79	\$275.43	\$642.55	\$400.58	\$3.5			\$31.27	\$31.27	\$3.92	\$3.92		
		Dark Fiber, Four Fiber Strands, Per Route Mile or Fraction Thereof per month - Interoffice Channel			UDF	1L5DF	\$31.78												
		NRC Dark Fiber - Interoffice Channel			UDF	UDF14	\$1,276.79	\$275.43	\$642.55	\$400.58	\$3.50			\$31.27	\$31.27	\$3.92	\$3.92		
		Dark Fiber, Four Fiber Strands, Per Route Mile or Fraction Thereof per month - Local Loop			UDF	1L5DL	\$62.92												
		NRC Dark Fiber - Local Loop			UDF	UDFL4	\$1,276.79	\$275.43	\$642.55	\$400.58	\$3.50			\$31.27	\$31.27	\$3.92	\$3.92		
TRANSPORT OTHER																			
Optional Features & Functions:																			
		Clear Channel Capability (B8ZS/ESF) Option - Subsequent - per DS1 Channel			UNC1X	CCOEF	\$184.65	\$23.70	\$1.97	\$0.77	\$3.50			\$29.20	\$3.92				
		Clear Channel Capability (B8ZS/SF) Option - Subsequent - per DS1 Channel			UNC1X	CCOSF	\$184.65	\$23.70	\$1.97	\$0.77	\$3.50			\$29.20	\$3.92				
8XX ACCESS TEN DIGIT SCREENING																			
		8XX Access Ten Digit Screening, Per Call			OHD		\$,0005305												
		8XX Access Ten Digit Screening, Reservation Charge Per 8XX Number Reserved			OHD	N8R1X	\$6.29	\$0.73	\$18.14		\$3.50			\$29.20	\$3.92				
		8XX Access Ten Digit Screening, Per 8XX No. Established W/O POTS Translations			OHD		\$12.27	\$1.39	\$8.30	\$0.73	\$3.50			\$18.14		\$11.40	\$11.40		
		8XX Access Ten Digit Screening, Per 8XX No. Established With POTS Translations			OHD	N8FTX	\$12.27	\$1.39	\$8.30	\$0.73	\$3.50			\$18.14		\$11.40	\$11.40		
		8XX Access Ten Digit Screening, Customized Area of Service Per 8XX Number			OHD	N8FCX	\$4.27	\$2.14			\$3.50			\$18.14		\$11.40	\$11.40		
		8XX Access Ten Digit Screening, Multiple InterLATA CXR Routing Per CXR Requested Per 8XX No.			OHD	N8FMX	\$5.00	\$2.86			\$3.50			\$18.14		\$11.40	\$11.40		
		8XX Access Ten Digit Screening, Change Charge Per Request			OHD	N8FAX	\$7.01	\$0.73			\$3.50			\$18.14		\$11.40	\$11.40		
		8XX Access Ten Digit Screening, Call Handling and Destination Features			OHD	N8FDX	\$4.27				\$3.50			\$18.14		\$11.40	\$11.40		

BELLSOUTH / METROMEDIA FIBER NETWORK SERVICES RATES
 Unbundled Network Elements
 LOUISIANA

CATEGORY	NOTES	UNBUNDLED NETWORK ELEMENT	Interim	Zone	BCS	USOC	RATES				OSS RATES						
							Rec	First	Add'l	First	Add'l	SOME C	SOMAN	SOMAN	SOMAN	SOMAN	SOMAN
LINE INFORMATION DATA BASE ACCESS (LIDB)																	
		LIDB Common Transport Per Query				OQT	\$0.000418										
		LIDB Validation Per Query				OQU	\$0.0103774										
		LIDB Originating Point Code Establishment or Change							\$48.17			\$3.50		\$18.14			
SIGNALING (CCS7)																	
		CCS7 Signaling Termination, Per STP Port					\$161.99					\$3.50		\$18.14	\$18.14	\$11.40	\$11.40
		CCS7 Signaling Usage, Per TCAP Message					\$0.0001052										
		CCS7 Signaling Connection, Per link (A link)					\$19.48	\$126.34	\$126.34	\$101.10	\$101.10	\$3.50		\$18.14	\$18.14	\$11.40	\$11.40
		CCS7 Signaling Connection, Per link (B link) (also known as D link)					\$19.48	\$126.34	\$126.34	\$101.10	\$101.10	\$3.50		\$18.14	\$18.14	\$11.40	\$11.40
		CCS7 Signaling Usage, Per ISUP Message					\$0.000430										
		CCS7 Signaling Usage Surrogate, per link per LATA					\$406.71					\$3.50		\$18.14	\$18.14	\$11.40	\$11.40
		CCS7 Signaling Point Code, Establishment or Change, per STP affected						\$62.00	\$62.00			\$3.50		\$18.14	\$18.14	\$11.40	\$11.40
CALLING NAME (CNAM) SERVICE																	
		CNAM for DB Owners, Per Query					\$0.016										
		CNAM for Non DB Owners, Per Query					\$0.01										
		CNAM (Non-Databs Owner), NRC, applies when using the Character Based User Interface (CHUI)				OQV			\$595.00			\$3.50					
OPERATOR SERVICES AND DIRECTORY ASSISTANCE																	
OPERATOR CALL PROCESSING																	
		Oper. Call Processing - Oper. Provided, Per Min. - Using BST LIDB					\$1.2										
		Oper. Call Processing - Oper. Provided, Per Min. - Using Foreign LIDB					\$1.24										
		Oper. Call Processing - Fully Automated, per Call - Using BST LIDB					\$0.20										
		Oper. Call Processing - Fully Automated, per Call - Using Foreign LIDB					\$0.20										
INWARD OPERATOR SERVICES																	
		Inward Operator Services - Verification, Per Minute					\$1.15										
		Inward Operator Services - Verification and Emergency Interrupt - Per Minute					\$1.15										
BRANDING - OPERATOR CALL PROCESSING																	
		Recording of Custom Branded OA Announcement				CBAOS	\$7,000.00	\$7,000.00	\$9.61	\$9.61							
		Loading of Custom Branded OA Announcement per shelf/NAV				CBAOL	\$500.00	\$500.00			\$3.50						
DIRECTORY ASSISTANCE SERVICES																	
DIRECTORY ASSISTANCE ACCESS SERVICE																	
		Directory Assistance Access Service Calls, Charge Per Call					\$0.275										
DIRECTORY ASSISTANCE CALL COMPLETION ACCESS SERVICE (DACC)																	
		Directory Assistance Call Completion Access Service (DACC), Per Call Attempt					\$0.10										
UNBRANDING																	
DIRECTORY TRANSPORT																	
		Directory Transport - Local Channel DS1					\$43.83	\$339.69	\$298.29	\$33.02	\$23.32	\$3.50		\$42.34		\$19.48	
		Directory Transport - DS1 Level Interoffice Per Mile					\$0.78					\$3.5					
		Directory Transport - DS1 Level Interoffice Per Facility Termination					\$93.40	\$140.49	\$106.69	\$20.00	\$16.34	\$3.50		\$18.14	\$18.14	\$8.06	\$8.06
		Switched Common Transport Per DA Access Service Per Call					\$0.0003274					\$3.5					
		Switched Common Transport Per DA Access Service Per Call Per Mile					\$0.0000175					\$3.5					
		Access Tandem Switching Per DA Access Service Per Call					\$0.0025257					\$3.5					
		Directory Transport - Installation NRC, Per Trunk or Signaling Connection						\$195.54	\$4.23			\$3.50		\$130.05	\$4.23		

BELLSOUTH / METROMEDIA FIBER NETWORK SERVICES RATES
Unbundled Network Elements
LOUISIANA

CATEGORY	NOTES	UNBUNDLED NETWORK ELEMENT	Interim	Zone	BCS	USOC	RATES				OSS RATES						
							Rec	First	Add'l	First	Add'l	SOME C	SOMAN	SOMAN	SOMAN	SOMAN	SOMAN
		DIRECTORY ASSISTANCE DATA BASE SERVICE (DADS)															
		Directory Assistance Data Base Service Charge Per Listing						\$0.04									
		Directory Assistance Data Base Service, per month				DBSOF		\$150.00									
		BRANDING - DIRECTORY ASSISTANCE															
		Custom Branding Announcement, per Recording to be used with the provision of DA			AMT	CBADA		\$3,000.00	\$3,000.00								
		Loading of Custom Branded Announcement per DRAM Card/Switch			AMT	CBADC		\$690.00	\$690.00								
		SELECTIVE ROUTING															
		Selective Routing Per Unique Line Class Code Per Request Per Switch				USRCR		\$229.65	\$229.65		\$3.50		\$31.92	\$7.32			
		VIRTUAL COLLOCATION															
		Virtual Collocation - 2-wire Cross Connects (loop)			ueanl,uea,udn,udc,uaf,uhl,ucl,ueq	UEAC2	\$0.26	\$23.04	\$22.11	\$9.48	\$8.54	\$3.50					
		Virtual Collocation - 2-wire Cross Connects (port)				VE1R2	\$0.26	\$23.04	\$22.11	\$9.48	\$8.54	\$3.50					
		Virtual Collocation - 4-wire Cross Connects (loop)			uea,uhl,ucl,ucl	UEAC4	\$0.52	\$23.23	\$22.24	\$9.53	\$8.55	\$3.50					
		Virtual Collocation - 4-wire Cross Connects (port)				VE1R4	\$0.52	\$23.23	\$22.24	\$9.53	\$8.55	\$3.50					
		Virtual Collocation - 2-Fiber Cross Connects				CNC2F	\$19.13	\$41.07	\$29.63	\$12.84	\$10.29	\$3.50					
		Virtual Collocation - 4-Fiber Cross Connects				CNC4F	\$34.38	\$49.81	\$38.37	\$16.75	\$14.20	\$3.50					
		Virtual Collocatin - DS1 Cross Connects			USL,ULC	CNC1X	\$7.5	\$43.61	\$30.6	\$9.56	\$8.63						
		AIN SELECTIVE CARRIER ROUTING															
		Regional Service Establishment			SRC	SRCEC		#####	#####								
		End Office Establishment			SRC	SRCEO		\$320.53	\$320.53								
		Line/Port NRC, per end user			SRC	SRCLP		\$2.06	\$2.06								
		Query NRC, per query			SRC			\$0.000448									
		AIN - BELLSOUTH AIN SMS ACCESS SERVICE															
		AIN SMS Access Service - Service Establishment, Per State, Initial Setup				CAMSE		\$153.31		\$78.06	\$3.50	\$19.99					
		AIN SMS Access Service - Port Connection - Dial/Shared Access				CAMPD		\$50.07		\$18.61	\$3.50						
		AIN SMS Access Service - Port Connection - ISDN Access				CAM1P		\$50.07		\$18.61	\$3.50						
		AIN SMS Access Service - User Identification Codes - Per User ID Code				CAMAU		\$104.95		\$48.95	\$3.50						
		AIN SMS Access Service - Security Card, Per User ID Code, Initial or Replacement				CAMRC		\$125.33		\$24.40	\$3.50						
		AIN SMS Access Service - Storage, Per Unit (100 Kilobytes)					\$0.0029										
		AIN SMS Access Service - Session, Per Minute					\$0.10										
		AIN SMS Access Service - Company Performed Session, Per Minute					\$1.97										
		AIN - BELLSOUTH AIN TOOLKIT SERVICE															
		AIN Toolkit Service - Service Establishment Charge, Per State, Initial Setup				BAPSC		\$153.25		\$78.05	\$3.50	\$19.99					
		AIN Toolkit Service - Training Session, Per Customer				BAPVX		\$8,315			\$3.50						
		AIN Toolkit Service - Trigger Access Charge, Per Trigger, Per DN, Term. Attempt				BAPTT		\$41.08		\$18.60	\$3.50						
		AIN Toolkit Service - Trigger Access Charge, Per Trigger, Per DN, Off-Hook Delay				BAPTD		\$41.08		\$18.60	\$3.50						
		AIN Toolkit Service - Trigger Access Charge, Per Trigger, Per DN, Off-Hook Immediate				BAPTM		\$41.08		\$18.60	\$3.50						
		AIN Toolkit Service - Trigger Access Charge, Per Trigger, Per DN, 10-Digit PODP				BAPTO		\$92.99		\$26.73	\$3.50						
		AIN Toolkit Service - Trigger Access Charge, Per Trigger, Per DN, CDP				BAPTC		\$92.99		\$26.73	\$3.50						
		AIN Toolkit Service - Trigger Access Charge, Per Trigger, Per DN, Feature Code				BAPTF		\$92.99		\$26.73	\$3.50						
		AIN Toolkit Service - Query Charge, Per Query					\$0.03										
		AIN Toolkit Service - Type 1 Node Charge, Per AIN Toolkit Subscription, Per Node, Per Query					\$0.0065										

BELLSOUTH / METROMEDIA FIBER NETWORK SERVICES RATES
Unbundled Network Elements
LOUISIANA

CATEGORY	NOTES	UNBUNDLED NETWORK ELEMENT	Interim	Zone	BCS	USOC	RATES				OSS RATES						
							Rec	First	Add'l	First	Add'l	Svc Order Submitted Elec per LSR	Svc Order Submitted Manually per LSR	Incremental Charge - Manual Svc Order vs. Electronic-1st	Incremental Charge - Manual Svc Order vs. Electronic-Add'l	Incremental Charge - Manual Svc Order vs. Electronic-Disc 1st	Incremental Charge - Manual Svc Order vs. Electronic-Disc Add'l
		AIN Toolkit Service - SCP Storage Charge, Per SMS Access Account, Per 100 Kilobytes					\$1.79										
		AIN Toolkit Service - Monthly report - Per AIN Toolkit Service Subscription			BAPMS		\$15.89	\$34.61		\$21.97		\$3.50					
		AIN Toolkit Service - Special Study - Per AIN Toolkit Service Subscription			BAPLS		\$0.08	\$37.77				\$3.50					
		AIN Toolkit Service - Call Event Report - Per AIN Toolkit Service Subscription			BAPDS		\$15.81	\$34.61		\$21.97		\$3.50					
		AIN Toolkit Service - Call Event Special Study - Per AIN Toolkit Service Subscription			BAPES		\$0.0026	\$37.77				\$3.50					
ODUF/EDOUF/ADUF/CMDS																	
ACCESS DAILY USAGE FILE (ADUF)																	
		ADUF: Message Processing, per message					\$0.004										
		ADUF: Data Transmission (CONNECT:DIRECT), per message					\$0.0000305										
ENHANCED OPTIONAL DAILY USAGE FILE (EODUF)																	
		EODUF: Message Processing, per message					\$0.004										
OPTIONAL DAILY USAGE FILE (ODUF)																	
		ODUF: Recording, per message					\$0.00019										
		ODUF: Message Processing, per message					\$0.0024										
		ODUF: Message Processing, per Magnetic Tape provisioned					\$47.30										
		ODUF: Data Transmission (CONNECT:DIRECT), per message					\$0.00003										
ENHANCED EXTENDED LINK (EELs)																	
NOTE: New EELs available in State of Georgia, density zone 1 of following SMAs: Orlando, FL; Miami, FL; Ft. Lauderdale, FL; Nashville, TN; New Orleans, LA;																	
NOTE: Charlotte-Gastonia-Rockhill, NC; Greensboro-Winston Salem-High Point, NC. Use all rates below except Switch As Is Charge.																	
NOTE: In all states, EEL network elements shown below also apply to currently combined facilities which are converted to UNE rates. A Switch As Is Charge applies to currently combined facilities converted to UNEs.(Non-recurring rates do not apply.)																	
NOTE: In Georgia, the EEL network elements apply to ordinarily combined network elements per the GA PSC order.(No Switch As Is Charge.)																	
2-WIRE VOICE GRADE EXTENDED LOOP WITH DEDICATED DS1 INTEROFFICE TRANSPORT (EEL)																	
		First 2-Wire VG Loop(SL2)/DS1 Interofficed Transport Combination - Zone 1		1	UNCVX	UEAL2	\$19.5	\$193.82	\$92.77	\$82.08	\$12.22	\$3.5	\$31.27	\$31.27	\$3.92	\$3.92	
		First 2-Wire VG Grade Loop(SL2)/DS1 Interofficed Transport Combination - Zone 2		2	UNCVX	UEAL2	\$25.86	\$193.82	\$92.77	\$82.08	\$12.22	\$3.50	\$31.27	\$31.27	\$3.92	\$3.92	
		First 2-Wire VG Grade Loop(SL2)/DS1 Interofficed Transport Combination - Zone 3		3	UNCVX	UEAL2	\$40.39	\$193.82	\$92.77	\$82.08	\$12.22	\$3.50	\$31.27	\$31.27	\$3.92	\$3.92	
		Interoffice Transport - Dedicated - DS1 combination - Per Mile per month			UNC1X	1L5XX	\$0.3367										
		Interoffice Transport - Dedicated - DS1 combination - Facility Termination per month			UNC1X	U1TF1	\$81.45	\$295.39	\$213.86	\$78.86	\$34.76	\$3.5	\$31.27	\$31.27	\$3.91	\$3.91	
		DS1 Channelization System Per Month			UNC1X	MQ1	\$121.5	\$123.37	\$26.67	\$3.42	\$3.08						
		Voice Grade COCI - DS1 To Ds0 Interface - Per Month			UNCVX	1D1VG	\$0.7509	\$12.15	\$8.76								
		Each Additional 2-Wire VG Loop(SL 2) in the same DS1 Interoffice Transport Combination - Zone 1		1	UNCVX	UEAL2	\$19.5	\$193.82	\$92.77	\$82.08	\$12.22	\$3.50	\$31.27	\$31.27	\$3.92	\$3.92	
		Each Additional 2-Wire VG Loop(SL2) in the same DS1 Interoffice Transport Combination - Zone 2		2	UNCVX	UEAL2	\$25.86	\$193.82	\$92.77	\$82.08	\$12.22	\$3.50	\$31.27	\$31.27	\$3.92	\$3.92	

BELLSOUTH / METROMEDIA FIBER NETWORK SERVICES RATES
Unbundled Network Elements
LOUISIANA

CATEGORY	NOTES	UNBUNDLED NETWORK ELEMENT	Interim	Zone	BCS	USOC	RATES				OSS RATES										
							Rec	First	Add'l	First	Add'l	SOMEC	SOMAN	SOMAN	SOMAN	SOMAN	SOMAN				
																		Nonrecurring		Nonrecurring	
																		Disconnect		Disconnect	
Svc Order Submitted Elec per LSR	Svc Order Submitted Manually per LSR	Incremental Charge - Manual Svc Order vs. Electronic-1st	Incremental Charge - Manual Svc Order vs. Electronic-Add'l	Incremental Charge - Manual Svc Order vs. Electronic-Disc 1st	Incremental Charge - Manual Svc Order vs. Electronic-Disc Add'l																
		Each Additional 2-Wire VG Loop(SL2) in the same DS1 Interoffice Transport Combination - Zone 3		3	UNCVX	UEAL2	\$40.39	\$193.82	\$92.77	\$82.08	\$12.22	\$3.50		\$31.27	\$31.27	\$3.92	\$3.92				
		Voice Grade COCI - DS1 to DS0 Channel System combination - per month			UNCVX	1D1VG	\$0.7509	\$12.15	\$8.76												
		Nonrecurring Currently Combined Network Elements Switch -As-Is Charge			UNC1X	UNCCC	\$11.17	\$11.7	\$14.14	\$14.14	\$3.5		\$31.27	\$31.27	\$3.92	\$3.92					
		4-WIRE VOICE GRADE EXTENDED LOOP WITH DEDICATED DS1 INTEROFFICE TRANSPORT (EEL)																			
		First 4-Wire Analog Voice Grade Loop/DS1 Interoffice Transport Combination - Zone 1		1	UNCVX	UEAL4	\$37.8	\$193.82	\$92.77	\$82.08	\$12.22	\$3.5		\$31.27	\$31.27	\$3.92	\$3.92				
		First 4-Wire Analog Voice Grade Loop/DS1 Interoffice Transport Combination - Zone 2		2	UNCVX	UEAL4	\$43.3	\$193.82	\$92.77	\$82.08	\$12.22	\$3.50		\$31.27	\$31.27	\$3.92	\$3.92				
		First 4-Wire Analog Voice Grade Loop/DS1 Interoffice Transport Combination - Zone 3		3	UNCVX	UEAL4	\$47.44	\$193.82	\$92.77	\$82.08	\$12.22	\$3.50		\$31.27	\$31.27	\$3.92	\$3.92				
		Interoffice Transport - Dedicated - DS1 combination - Per Mile Per Month			UNC1X	1L5XX	\$0.3367														
		Interoffice Transport - Dedicated - DS1 - Facility Termination Per Month			UNC1X	U1TF1	\$93.40	\$295.39	\$213.71	\$78.86	\$34.78	\$3.50		\$242.20	\$153.37	\$45.91	\$8.06				
		Channelization - Channel System DS1 to DS0 combination Per Month			UNC1X	MQ1	\$121.5	\$123.37	\$26.67	\$3.42	\$3.08										
		Voice Grade COCI - DS1 to DS0 Channel System combination - per month			UNCVX	1D1VG	\$1.62	\$12.29	\$8.80												
		Additional 4-Wire Analog Voice Grade Loop in same DS1 Interoffice Transport Combination - Zone 1		1	UNCVX	UEAL4	\$37.8	\$193.82	\$92.77	\$82.08	\$12.22	\$3.50		\$31.27	\$31.27	\$3.92	\$3.92				
		Additional 4-Wire Analog Voice Grade Loop in same DS1 Interoffice Transport Combination - Zone 2		2	UNCVX	UEAL4	\$43.3	\$193.82	\$92.77	\$82.08	\$12.22	\$3.50		\$31.27	\$31.27	\$3.92	\$3.92				
		Additional 4-Wire Analog Voice Grade Loop in same DS1 Interoffice Transport Combination - Zone 3		3	UNCVX	UEAL4	\$47.44	\$193.82	\$92.77	\$82.08	\$12.22	\$3.50		\$31.27	\$31.27	\$3.92	\$3.92				
		Voice Grade COCI - DS1 to DS0 Channel System combination - per month			UNCVX	1D1VG	\$1.62	\$12.29	\$8.80												
		Nonrecurring Currently Combined Network Elements Switch -As-Is Charge			UNC1X	UNCCC	\$11.17	\$11.7	\$14.14	\$14.14	\$3.50		\$31.27	\$31.27	\$3.92	\$3.92					
		4-WIRE 56 KBPS EXTENDED DIGITAL LOOP WITH DEDICATED DS1 INTEROFFICE TRANSPORT (EEL)																			
		First 4-Wire 56Kbps Digital Grade Loop/DS1 Interoffice Transport Combination - Zone 1		1	UNCDX	UDL56	\$37.62	\$193.82	\$92.77	\$92.08	\$12.22	\$3.5		\$31.27	\$31.27	\$3.92	\$3.92				
		First 4-wire 56Kbps Digital Grade Loop/DS1 Interoffice Transport Combination - Zone 2		2	UNCDX	UDL56	\$40.79														
		First 4-Wire 56Kbps Digital Grade Loop/DS1 Interoffice Transport Combination - Zone 3		3	UNCDX	UDL56	\$43.2	\$193.82	\$92.77	\$92.08	\$12.22	\$3.50		\$31.27	\$31.27	\$3.92	\$3.92				
		Interoffice Transport - Dedicated - DS1 combination - Per Mile Per Month			UNC1X	1L5XX	\$0.3367														
		Interoffice Transport - Dedicated - DS1 - combination Facility Termination Per Month			UNC1X	U1TF1	\$81.45	\$295.39	\$213.71	\$78.86	\$34.78	\$3.5		\$31.27	\$31.27	\$3.92	\$3.92				
		Channelization - Channel System DS1 to DS0 combination Per Month			UNC1X	MQ1	\$121.5	\$123.37	\$26.67	\$3.42	\$3.08										
		OCU-DP COCI (data) - DS1 to DS0 Channel System - per month (2.4-64kbs)			UNCDX	1D1DD	\$1.6	\$12.15	\$8.76												
		Additional 4-Wire 56Kbps Digital Grade Loop in same DS1 Interoffice Transport Combination - Zone 1		1	UNCDX	UDL56	\$37.62	\$193.82	\$92.77	\$82.08	\$12.22	\$3.5		\$31.27	\$31.27	\$3.92	\$3.92				
		Additional 4-Wire 56Kbps Digital Grade Loop in same DS1 Interoffice Transport Combination - Zone 2		2	UNCDX	UDL56	\$40.79	\$193.82	\$92.77	\$82.08	\$12.22	\$3.5		\$31.27	\$31.27	\$3.92	\$3.92				
		Additional 4-Wire 56Kbps Digital Grade Loop in same DS1 Interoffice Transport Combination - Zone 3		3	UNCDX	UDL56	\$43.2	\$193.82	\$92.77	\$82.08	\$12.22	\$3.5		\$31.27	\$31.27	\$3.92	\$3.92				
		OCU-DP COCI (data) - DS1 to DS0 Channel System - combination per month (2.4-64kbs)			UNCDX	1D1DD	\$1.6	\$12.15	\$8.76												
		Nonrecurring Currently Combined Network Elements Switch -As-Is Charge			UNC1X	UNCCC	\$11.17	\$11.7	\$14.14	\$14.14	\$3.50		\$31.27	\$31.27	\$3.92	\$3.92					
		4-WIRE 64 KBPS EXTENDED DIGITAL LOOP WITH DEDICATED DS1 INTEROFFICE TRANSPORT (EEL)																			
		First 4-Wire 64Kbps Digital Grade Loop/DS1 Interoffice Transport Combination - Zone 1		1	UNCDX	UDL64	\$37.62	\$193.82	\$92.77	\$0.00	\$0.00	\$3.50		\$31.27	\$31.27	\$3.92	\$3.92				

BELLSOUTH / METROMEDIA FIBER NETWORK SERVICES RATES
Unbundled Network Elements
LOUISIANA

CATEGORY	NOTES	UNBUNDLED NETWORK ELEMENT	Interim	Zone	BCS	USOC	RATES				OSS RATES						
							Rec	First	Add'l	First	Add'l	SOMEC	SOMAN	SOMAN	SOMAN	SOMAN	SOMAN
		First 4-Wire 64Kbps Digital Grade Loop/DS1 Interoffice Transport Combination - Zone 2		2	UNCDX	UDL64	\$40.79	\$0.00	\$0.00			\$0.00		\$0.00	\$0.00	\$0.00	\$0.00
		First 4-Wire 64Kbps Digital Grade Loop/DS1 Interoffice Transport Combination - Zone 3		3	UNCDX	UDL64	\$43.2	\$193.82	\$92.77	\$92.08	\$12.22	\$3.50		\$31.27	\$0.00	\$3.92	\$3.92
		Interoffice Transport - Dedicated - DS1 combination - Per Mile Per Month			UNC1X	1L5XX	\$0.3367										
		Interoffice Transport - Dedicated - DS1 combination - Facility Termination Per Month			UNC1X	U1TF1	\$81.45	\$295.39	\$213.71	\$78.86	\$34.78	\$3.50		\$31.27	\$31.27	\$3.92	\$3.92
		Channelization - Channel System DS1 to DS0 combination Per Month			UNC1X	MQ1	\$121.5	\$123.37	\$26.67	\$3.42	\$3.08						
		OCU-DP COCI (data) - DS1 to DS0 Channel System combination - per month (2.4-64kbs)			UNCDX	1D1DD	\$1.6	\$12.15	\$8.76								
		Additional 4-Wire 64Kbps Digital Grade Loopin same DS1 Interoffice Transport Combination - Zone 1		1	UNCDX	UDL64	\$37.62	\$193.82	\$92.77	\$0.00	\$0.00	\$3.50		\$31.27	\$31.27	\$3.92	\$3.92
		Additional 4-Wire 64Kbps Digital Grade Loopin same DS1 Interoffice Transport Combination - Zone 2		2	UNCDX	UDL64	\$40.79	\$0.00	\$0.00	\$0.00	\$0.00	\$0.00		\$0.00	\$0.00	\$0.00	\$0.00
		Additional 4-Wire 64Kbps Digital Grade Loopin same DS1 Interoffice Transport Combination - Zone 3		3	UNCDX	UDL64	\$43.2	\$193.82	\$92.77	\$92.08	\$12.22	\$3.50		\$31.27	\$0.00	\$3.92	\$3.92
		OCU-DP COCI (data) - DS1 to DS0 Channel System combination - per month (2.4-64kbs)			UNCDX	1D1DD	\$1.6	\$12.15	\$8.76								
		Nonrecurring Currently Combined Network Elements Switch -As-Is Charge			UNC1X	UNCCC		\$11.17	\$11.7	\$14.14	\$14.14	\$3.50		\$31.27	\$31.27	\$3.92	\$3.92
		4-WIRE DS1 DIGITAL EXTENDED LOOP WITH DEDICATED DS1 INTEROFFICE TRANSPORT (EEL)															
		4-Wire DS1 Digital Loop in Combination with DS1 Interoffice Transport - Zone 1		1	UNC1X	USLXX	\$100.42	\$348.15	\$207.55	\$89.88	\$28.00	\$12.43		\$31.27	\$31.27	\$3.92	\$3.92
		4-Wire DS1 Digital Loop in Combination with DS1 Interoffice Transport - Zone 2		2	UNC1X	USLXX	\$128.71	\$348.15	\$207.55	\$89.8800	\$28.00	\$12.43		\$31.27	\$31.27	\$3.92	\$3.92
		4-Wire DS1 Digital Loop in Combination with DS1 Interoffice Transport - Zone 3		3	UNC1X	USLXX	\$343.19	\$348.15	\$207.55	\$89.88	\$28.00	\$12.43		\$31.27	\$31.27	\$3.92	\$3.92
		Interoffice Transport - Dedicated - DS1 combination - Per Mile Per Month			UNC1X	1L5XX	\$0.3367										
		Interoffice Transport - Dedicated - DS1 combination - Facility Termination Per Month			UNC1X	U1TF1	\$81.45	\$295.39	\$213.86	\$78.86	\$34.76	\$3.50		\$31.27	\$31.27	\$3.91	\$3.91
		Nonrecurring Currently Combined Network Elements Switch -As-Is Charge			UNC1X	UNCCC		\$11.17	\$11.7	\$14.14	\$13.91	\$3.50		\$31.27	\$31.27	\$3.92	\$3.92
		4-WIRE DS1 DIGITAL EXTENDED LOOP WITH DEDICATED DS3 INTEROFFICE TRANSPORT (EEL)															
		First DS1Loop in DS3 Interoffice Transport Combination - Zone 1		1	UNC1X	USLXX	\$100.42	\$348.15	\$92.77	\$89.88	\$12.22	\$12.53		\$31.27	\$31.27	\$3.92	\$3.92
		First DS1Loop in DS3 Interoffice Transport Combination - Zone 2		2	UNC1X	USLXX	\$128.71	\$348.15	\$92.77	\$89.88	\$12.22	\$12.53		\$31.27	\$31.27	\$3.92	\$3.92
		First DS1Loop in DS3 Interoffice Transport Combination - Zone 3		3	UNC1X	USLXX	\$343.19	\$348.15	\$92.77	\$89.88	\$12.22	\$12.53		\$31.27	\$31.27	\$3.92	\$3.92
		Interoffice Transport - Dedicated - DS3 combination - Per Mile Per Month			UNC3X	1L5XX	\$4.17										
		Interoffice Transport - Dedicated - DS3 - Facility Termination per month			UNC3X	U1TF3	\$982.87	\$507.48	\$221.03	\$54.07	\$28.12	\$12.53		\$31.27	\$31.27	\$3.92	\$3.92
		DS3 to DS1 Channel System combination per month			UNC3X	MQ3	\$233.25	\$323.12	\$127.13	\$37.72	\$19.37						
		DS3 Interface Unit (DS1 COCI) combination per month			UNC1X	UC1D1	\$13.64	\$12.16	\$8.77								
		Additional DS1Loop in DS3 Interoffice Transport Combination - Zone 1		1	UNC1X	USLXX	\$100.42	\$348.15	\$92.77	\$89.88	\$12.22	\$12.53		\$31.27	\$31.27	\$3.92	\$3.92
		Additional DS1Loop in DS3 Interoffice Transport Combination - Zone 2		2	UNC1X	USLXX	\$128.71	\$348.15	\$92.77	\$89.88	\$12.22	\$12.53		\$31.27	\$31.27	\$3.92	\$3.92
		Additional DS1Loop in DS3 Interoffice Transport Combination - Zone 3		3	UNC1X	USLXX	\$343.19	\$348.15	\$92.77	\$89.88	\$12.22	\$12.53		\$31.27	\$31.27	\$3.92	\$3.92
		DS3 Interface Unit (DS1 COCI) combination per month			UNC1X	UC1D1	\$13.64	\$12.16	\$8.77								
		Nonrecurring Currently Combined Network Elements Switch -As-Is Charge			UNC3X	UNCCC		\$11.17	\$11.7	\$14.14	\$14.14	\$3.50		\$31.27	\$31.27	\$3.92	\$3.92
		2-WIRE VOICE GRADE EXTENDED LOOP/ 2 WIRE VOICE GRADE INTEROFFICE TRANSPORT (EEL)															
		2-WireVG Loop used with 2-wire VG Interoffice Transport Combination - Zone 1		1	UNCVX	UEAL2	\$19.5	\$193.82	\$92.77	\$82.08	\$12.22						
		2-WireVG Loop used with 2-wire VG Interoffice Transport Combination - Zone 2		2	UNCVX	UEAL2	\$25.86	\$193.82	\$92.77	\$82.08	\$12.22						

BELLSOUTH / METROMEDIA FIBER NETWORK SERVICES RATES
Unbundled Network Elements
LOUISIANA

CATEGORY	NOTES	UNBUNDLED NETWORK ELEMENT	Interim	Zone	BCS	USOC	RATES					OSS RATES																
							Rec	First	Add'l	First	Add'l	SOME C	SOMAN	SOMAN	SOMAN	SOMAN	SOMAN	SOMAN										
																			Nonrecurring		Nonrecurring		Svc Order Submitted Elec per LSR	Svc Order Submitted Manually per LSR	Incremental Charge - Manual Svc Order vs. Electronic-1st	Incremental Charge - Manual Svc Order vs. Electronic-Add'l	Incremental Charge - Manual Svc Order vs. Electronic-Disc 1st	Incremental Charge - Manual Svc Order vs. Electronic-Disc Add'l
																			Disconnect		Disconnect							
		2-WireVG Loop used with 2-wire VG Interoffice Transport Combination - Zone 3		3	UNCVX	UEAL2	\$40.38	\$193.82	\$92.77	\$82.08	\$12.22																	
		Interoffice Transport - Dedicated - 2-wire VG combination - Per Mile Per Month			UNCVX	1L5XX	\$0.0165																					
		Interoffice Transport - Dedicated - 2- Wire Voice Grade combination - Facility Termination per month			UNCVX	U1TV2	\$26.12	\$149.36	\$85.88	\$78.02	\$34.89	\$3.5		\$31.27	\$31.27	\$3.92	\$3.92											
		Nonrecurring Currently Combined Network Elements Switch -As-Is Charge			UNCVX	UNCCC		\$11.17	\$11.7	\$14.14	\$14.14	\$3.50		\$31.27	\$31.27	\$3.92	\$3.92											
		4-WIRE VOICE GRADE EXTENDED LOOP/ 4 WIRE VOICE GRADE INTEROFFICE TRANSPORT (EEL)																										
		4-WireVG Loop used with 4-wire VG Interoffice Transport Combination - Zone 1		1	UNCVX	UEAL4	\$37.8	\$193.82	\$92.77	\$82.08	\$12.22																	
		4-WireVG Loop used with 4-wire VG Interoffice Transport Combination - Zone 2		2	UNCVX	UEAL4	\$43.3	\$193.82	\$92.77	\$82.08	\$12.22																	
		4-WireVG Loop used with 4-wire VG Interoffice Transport Combination - Zone 3		3	UNCVX	UEAL4	\$47.44	\$193.82	\$92.77	\$82.08	\$12.22																	
		Interoffice Transport - Dedicated - 4-wire VG combination - Per Mile Per Month			UNCVX	1L5XX	\$0.02																					
		Interoffice Transport - Dedicated - 4- Wire Voice Grade combination - Facility Termination per month			UNCVX	U1TV4	\$22.89	\$149.36	\$85.88	\$78.02	\$34.89	\$3.5		\$31.27	\$31.27	\$3.92	\$3.92											
		Nonrecurring Currently Combined Network Elements Switch -As-Is Charge			UNCVX	UNCCC		\$11.17	\$11.7	\$14.14	\$14.14	\$3.50		\$31.27	\$31.27	\$3.92	\$3.92											
		DS3 DIGITAL EXTENDED LOOP WITH DEDICATED DS3 INTEROFFICE TRANSPORT (EEL)																										
		High Capacity Unbundled Local Loop - DS3 combination - Per Mile per month			UNC3X	1L5ND	\$12.75																					
		High Capacity Unbundled Local Loop - DS3 combination - Facility Termination per month			UNC3X	UE3PX	\$419.1	\$387.7	\$258.22																			
		Interoffice Transport - Dedicated - DS3 - Per Mile per month			UNC3X	1L5XX	\$7.67																					
		Interoffice Transport - Dedicated - DS3 combination - Facility Termination per month			UNC3X	U1TF3	\$982.87	\$610.38	\$249.26	\$72.2	\$39.88	\$3.5		\$31.27	\$31.27	\$3.92	\$3.92											
		Nonrecurring Currently Combined Network Elements Switch -As-Is Charge			UNC3X	UNCCC		\$11.17	\$11.7	\$14.14	\$14.14	\$3.50		\$31.27	\$31.27	\$3.92	\$3.92											
		STS1 DIGITAL EXTENDED LOOP WITH DEDICATED STS1 INTEROFFICE TRANSPORT (EEL)																										
		High Capacity Unbundled Local Loop - STS1 combination - Per Mile per month			UNCSX	1L5ND	\$12.75																					
		High Capacity Unbundled Local Loop - STS1 combination - Facility Termination per month			UNCSX	UDLS1	\$433.21	\$387.7	\$258.22	\$120.18	\$50.91																	
		Interoffice Transport - Dedicated - STS1 combination - Per Mile per month			UNCSX	1L5XX	\$7.67																					
		Interoffice Transport - Dedicated - STS1 combination - Facility Termination per month			UNCSX	U1TFS	\$959.46	\$610.38	\$249.26	\$72.52	\$39.88	\$3.5		\$31.27	\$31.27	\$3.92	\$3.92											
		Nonrecurring Currently Combined Network Elements Switch -As-Is Charge			UNCSX	UNCCC		\$11.17	\$11.7	\$14.14	\$14.14	\$3.50		\$31.27	\$31.27	\$3.92	\$3.92											
		2-WIRE ISDN EXTENDED LOOP WITH DS1 INTEROFFICE TRANSPORT (EEL)																										
		First 2-Wire ISDN Loop/DS1 Interoffice Combination Transport - Zone 1		1	UNCNX	U1L2X	\$28.55	\$193.82	\$92.77	\$82.08	\$12.22	\$3.5		\$31.26	\$31.26	\$3.91	\$3.91											
		First 2-Wire ISDN Loop/DS1 Interoffice Combination Transport - Zone 2		2	UNCNX	U1L2X	\$37.12	\$193.82	\$92.77	\$82.08	\$12.22	\$3.50		\$31.26	\$31.26	\$3.91	\$3.91											
		First 2-Wire ISDN Loop/DS1 Interoffice Combination Transport - Zone 3		3	UNCNX	U1L2X	\$51.88	\$193.82	\$92.77	\$82.08	\$12.22	\$3.50		\$31.26	\$31.26	\$3.91	\$3.91											
		Interoffice Transport - Dedicated - DS1 combination - Per Mile			UNC1X	1L5XX	\$0.3367																					
		Interoffice Transport - Dedicated - DS1 combination - Facility Termination per month			UNC1X	U1TF1	\$81.45	\$295.39	\$26.67	\$3.42		\$3.5		\$31.27	\$31.27	\$3.92	\$3.92											
		Channelization - Channel System DS1 to DS0 combination - per month			UNC1X	MQ1	\$121.5	\$123.37	\$26.67	\$26.67	\$3.42																	
		2-wire ISDN COCI (BRITE) - DS1 to DS0 Channel System combination - per month			UNCNX	UC1CA	\$3.43	\$12.15	\$8.76																			
		Additional 2-wire ISDN Loop in same DS1Interoffice Transport Combination - Zone 1		1	UNCNX	U1L2X	\$28.55	\$193.82	\$92.77	\$82.08	\$12.22	\$3.50		\$31.26	\$31.26	\$3.91	\$3.91											

BELLSOUTH / METROMEDIA FIBER NETWORK SERVICES RATES
Unbundled Network Elements
LOUISIANA

CATEGORY	NOTES	UNBUNDLED NETWORK ELEMENT	Interim	Zone	BCS	USOC	RATES				OSS RATES						
							Rec	First	Add'l	First	Add'l	SOMEC	SOMAN	SOMAN	SOMAN	SOMAN	SOMAN
		Additional 2-wire IDSN Loop in same DS1Interoffice Transport Combination - Zone 2		2	UNCNX	U1L2X	\$37.12	\$193.82	\$92.77	\$82.08	\$12.22	\$3.50		\$31.26	\$31.26	\$3.91	\$3.91
		Additional 2-wire IDSN Loop in same DS1Interoffice Transport Combination - Zone 3		3	UNCNX	U1L2X	\$51.88	\$193.82	\$92.77	\$82.08	\$12.22	\$3.50		\$31.26	\$31.26	\$3.91	\$3.91
		2-wire ISDN COCI (BRITE) - DS1 to DS0 Channel System combination-per month			UNCNX	UC1CA	\$3.43	\$12.15	\$8.76								
		Nonrecurring Currently Combined Network Elements Switch -As-Is Charge			UNC1X	UNCCC		\$11.17	\$11.7	\$14.14	\$14.14	\$3.50		\$31.27	\$31.27	\$3.92	\$3.92
		4-WIRE DS1 DIGITAL EXTENDED LOOP WITH DEDICATED STS-1 INTEROFFICE TRANSPORT (EEL)															
		First DS1 Loop in STS1 Interoffice Transport Combination - Zone 1		1	UNC1X	USLXX	\$100.42	\$348.15	\$207.79	\$91.79	\$47.49	\$3.5		\$31.27	\$31.27	\$3.92	\$3.92
		First DS1 Loop in STS1 Interoffice Transport Combination - Zone 2		2	UNC1X	USLXX	\$128.71	\$348.15	\$207.79	\$91.79	\$47.49	\$3.50		\$31.27	\$31.27	\$3.92	\$3.92
		First DS1 Loop in STS1 Interoffice Transport Combination - Zone 3		3	UNC1X	USLXX	\$343.19	\$348.15	\$207.79	\$91.79	\$47.49	\$3.50		\$31.27	\$31.27	\$3.92	\$3.92
		Interoffice Transport - Dedicated - STS1 combination - Per Mile Per Month			UNCSX	1L5XX	\$4.17										
		Interoffice Transport - Dedicated - STS1 combination - Facility Termination			UNCSX	U1TFS	\$959.46	\$610.38	\$249.52	\$72.52	\$39.88	\$3.5		\$31.27	\$31.27	\$3.92	\$3.92
		STS1 to DS1 Channel System combination per month			UNCSX	MQ3	\$233.25	\$220.23	\$98.9	\$19.27	\$7.61						
		DS3 Interface Unit (DS1 COCI) combination per month			UNC1X	UC1D1	\$13.64	\$12.16	\$8.77								
		Additional DS1Loop in STS1 Interoffice Transport Combination - Zone 1		1	UNC1X	USLXX	\$100.42	\$348.15	\$207.79	\$91.79	\$47.49	\$3.50		\$31.27	\$31.27	\$3.92	\$3.92
		Additional DS1Loop in STS1 Interoffice Transport Combination - Zone 2		2	UNC1X	USLXX	\$128.71	\$348.15	\$207.79	\$91.79	\$47.49	\$3.50		\$31.27	\$31.27	\$3.92	\$3.92
		Additional DS1Loop in STS1 Interoffice Transport Combination - Zone 3		3	UNC1X	USLXX	\$343.19	\$348.15	\$207.79	\$91.79	\$47.49	\$3.50		\$31.27	\$31.27	\$3.92	\$3.92
		DS3 Interface Unit (DS1 COCI) combination per month			UNC1X	UC1D1	\$13.64	\$12.16	\$8.77								
		Nonrecurring Currently Combined Network Elements Switch -As-Is Charge			UNCSX	UNCCC		\$11.17	\$11.7	\$14.14	\$14.14	\$3.50		\$31.27	\$31.27	\$3.92	\$3.92
		4-WIRE 56 KBPS DIGITAL EXTENDED LOOP WITH 56 KBPS INTEROFFICE TRANSPORT (EEL)															
		4-wire 56 kbps Loop/4-wire 56 kbps Interoffice Transport Combination - Zone 1		1	UNCDX	UDL56	\$37.62	\$193.82	\$92.77	\$82.08	\$12.22						
		4-wire 56 kbps Loop/4-wire 56 kbps Interoffice Transport Combination - Zone 2		2	UNCDX	UDL56	\$40.79	\$193.82	\$92.77	\$82.08	\$12.22						
		4-wire 56 kbps Loop/4-wire 56 kbps Interoffice Transport Combination - Zone 3		3	UNCDX	UDL56	\$43.2	\$193.82	\$92.77	\$82.08	\$12.22						
		Interoffice Transport - Dedicated - 4-wire 56 kbps combination - Per Mile			UNCDX	1L5XX	\$0.0165										
		Interoffice Transport - Dedicated - 4-wire 56 kbps combination - Facility Termination			UNCDX	U1TD5	\$18.04	\$149.36	\$86.00	\$78.02	\$34.89	\$12.53		\$31.27	\$31.27	\$3.92	\$3.92
		Nonrecurring Currently Combined Network Elements Switch -As-Is Charge			UNCDX	UNCCC		\$11.17	\$11.7	\$14.14	\$14.14	\$3.50		\$31.27	\$31.27	\$3.92	\$3.92
		4-WIRE 64 KBPS DIGITAL EXTENDED LOOP WITH 64 KBPS INTEROFFICE TRANSPORT (EEL)															
		4-wire 64 kbps Loop/4-wire 64 kbps Interoffice Transport Combination - Zone 1		1	UNCDX	UDL64	\$37.62	\$193.82	\$92.77	\$82.08	\$12.22						
		4-wire 64 kbps Loop/4-wire 64 kbps Interoffice Transport Combination - Zone 2		2	UNCDX	UDL64	\$40.79	\$193.82	\$92.77	\$82.08	\$12.22						
		4-wire 64 kbps Loop/4-wire 64 kbps Interoffice Transport Combination - Zone 3		3	UNCDX	UDL64	\$43.2	\$193.82	\$92.77	\$82.08	\$12.22						
		Interoffice Transport - Dedicated - 4-wire 64 kbps combination - Per Mile			UNCDX	1L5XX	\$0.0165										
		Interoffice Transport - Dedicated - 4-wire 64 kbps combination - Facility Termination			UNCDX	U1TD6	\$18.04	\$149.36	\$86.00	\$78.02	\$34.89	\$12.53		\$31.27	\$31.27	\$3.92	\$3.92
		Nonrecurring Currently Combined Network Elements Switch -As-Is Charge			UNCDX	UNCCC		\$0.00	\$11.7	\$14.14	\$14.14	\$3.50		\$31.27	\$31.27	\$3.92	\$3.92
		ADDITIONAL NETWORK ELEMENTS															
		When used as a part of a currently combined facility, the non-recurring charges do not apply, but a Switch As Is charge does apply.															
		When used as ordinarily combined network elements in Georgia, the non-recurring charges apply and the Switch As Is Charge does not.															

BELLSOUTH / METROMEDIA FIBER NETWORK SERVICES RATES
 Unbundled Network Elements
 LOUISIANA

CATEGORY	NOTES	UNBUNDLED NETWORK ELEMENT	Interim	Zone	BCS	USOC	RATES				OSS RATES							
							Rec	Nonrecurring		Disconnect	Svc Order Submitted Elec per LSR	Svc Order Submitted Manually per LSR	Incremental Charge - Manual Svc Order vs. Electronic-1st	Incremental Charge - Manual Svc Order vs. Electronic-Add'l	Incremental Charge - Manual Svc Order vs. Electronic-Disc 1st	Incremental Charge - Manual Svc Order vs. Electronic-Disc Add'l		
								First	Add'l								First	Add'l
								SOMEC	SOMAN								SOMAN	SOMAN
	Access to DCS - Customer Reconfiguration (FlexServ)																	
	Node (SynchroNet)				UNCDX	UNCNT	\$15.43											
	Node per month																	
	Nonrecurring Currently Combined Network Elements "Switch As Is" Charge (One applies to each combination)																	
	2/4-Wire VG Interoffice Channel used in a COMBINATION - "Switch As Is" Conversion Charge				UNCVX	UNCCC	\$11.17	\$11.7	\$14.14	\$14.14	\$3.50		\$31.27	\$31.27	\$3.92	\$3.92		
	56/64 kbps Interoffice Channel used in a COMBINATION - "Switch As Is" Conversion Charge				UNCDX	UNCCC	\$11.17	\$11.7	\$14.14	\$14.14	\$3.50		\$31.27	\$31.27	\$3.92	\$3.92		
	DS1 Interoffice Channel used in a COMBINATION - "Switch As Is" Conversion Charge				UNC1X	UNCCC	\$11.17	\$11.7	\$14.14	\$14.14	\$3.50		\$31.27	\$31.27	\$3.92	\$3.92		
	DS3 Interoffice Channel used in a COMBINATION - "Switch As Is" Conversion Charge				UNC3X	UNCCC	\$11.17	\$11.7	\$14.14	\$14.14	\$3.50		\$31.27	\$31.27	\$3.92	\$3.92		
	STS1 Interoffice or Local Loop used in a COMBINATION - "Switch As Is" Conversion Charge				UNCSX	UNCCC	\$11.17	\$11.7	\$14.14	\$14.14	\$3.50		\$31.27	\$31.27	\$3.92	\$3.92		
	NOTE: Local Channel - Dedicated Transport - minimum billing period - Below DS3=one month, DS3 and above=four months																	
	Local Channel - Dedicated - 2-Wire Voice Grade Zone 1			1	UNCVX	ULDV2	\$21.44											
	Local Channel - Dedicated - 4-Wire Voice Grade Zone 1			1	UNCVX	ULDV4	\$22.7											
	Local Channel - Dedicated - DS1 per month Zone 1			1	UNC1X	ULDF1	\$45.1											
	Local Channel - Dedicated -DS1 Per Month Zone 2			2	UNC1X	ULDF1	\$85.62											
	Local Channel - Dedicated - DS1- Per Month Zone 3			3	UNC1X	ULDF1	\$144.95											
	Local Channel - Dedicated - DS3 - Per Mile per month				UNC3X	1L5NC	\$9.92											
	Local Channel - Dedicated - DS3 - Facility Termination per month				UNC3X	ULDF3	\$534.82											
	Local Channel - Dedicated - STS-1- Per Mile per month				UNCSX	1L5NC	\$9.92											
	Local Channel - Dedicated - STS-1 - Facility Termination per month				UNCSX	ULDFS	\$529.62											

BELLSOUTH / METROMEDIA FIBER NETWORK SERVICES RATES
Unbundled Network Elements
MISSISSIPPI

CATEGORY	NOTES	UNBUNDLED NETWORK ELEMENT	Interim	Zone	BCS	USOC	RATES					OSS RATES					
							Rec	Nonrecurring		Disconnect	Svc Order Submitted Elec per LSR	Svc Order Submitted Manually per LSR	Incremental Charge - Manual Svc Order vs. Electronic-1st	Incremental Charge - Manual Svc Order vs. Electronic-Add'l	Incremental Charge - Manual Svc Order vs. Electronic-Disc 1st	Incremental Charge - Manual Svc Order vs. Electronic-Disc Add'l	
								First	Add'l								First
Geographically Deaveraged UNE Zones and applicable rates have been established for certain services, as shown in this Agreement. Where Geographically Deaveraged UNE Zones and applicable rates are established, Statewide rates are obsolete. Further, BellSouth is in the process of enhancing its billing systems in order to accommodate this Geographically Deaveraged UNE Zone Rate Structure. Until these enhancements are accomplished, estimated to be mid 2001, the UNE Zone 1 rate will be billed for all services residing in Zones 1, 2, 3 or 4, i.e., Rates for services residing in UNE Zones 2, 3 and UNE Zone 4, where applicable, will not be billed. Once billing enhancements are complete, all applicable UNE Zone rates reflected in this Agreement will be billed. Reference Internet Website http://www.interconnection.bellsouth.com/become_clec/docs/interconnection/deavuzns.pdf to view Geographically Deaveraged UNE Zone Designations by Central Office.																	
UNBUNDLED EXCHANGE ACCESS LOOP																	
2-WIRE ANALOG VOICE GRADE LOOP																	
		2-Wire Analog Voice Grade Loop - Service Level 1- Zone 1		1	UEANL	UEAL2	\$15.58	\$59.25	\$43.67	\$16.35	\$4.06	\$3.50		\$25.52	\$11.34	\$16.06	\$16.06
		2-Wire Analog Voice Grade Loop - Service Level 1- Zone 2		2	UEANL	UEAL2	\$20.65	\$59.25	\$43.67	\$16.35	\$4.06	\$3.50		\$25.52	\$11.34	\$16.06	\$16.06
		2-Wire Analog Voice Grade Loop - Service Level 1- Zone 3		3	UEANL	UEAL2	\$29.51	\$59.25	\$43.67	\$16.35	\$4.60	\$3.50		\$25.52	\$11.34	\$16.06	\$16.06
		2-Wire Analog Voice Grade Loop - Service Level 1- Zone 4		4	UEANL	UEAL2	\$38.94	\$59.25	\$43.67	\$16.35	\$4.06	\$3.50		\$25.52	\$11.34	\$16.06	\$16.06
		Engineering Information Document (EI)			UEANL		\$28.72	\$28.72									
		Manual Order Coordination for UVL-SL1s (per loop)*			UEANL	UEAMC	\$50.29	\$50.29									
		Order Coordination for Specified Conversion Time for UVL-SL1 (per LSR) *			UEANL	OCOSL	\$45.27	\$45.27									
		2-Wire Analog Voice Grade Loop - Service Level 2 w/Loop or Ground Start Signaling - Zone 1		1	UEA	UEAL2	\$18.35	\$144.01	\$107.70	\$40.98	\$26.95	\$3.50		\$25.52	\$11.34	\$16.06	
		2-Wire Analog Voice Grade Loop - Service Level 2 w/Loop or Ground Start Signaling - Zone 2		2	UEA	UEAL2	\$24.33	\$144.01	\$107.70	\$40.98	\$26.95	\$3.50		\$25.52	\$11.34	\$16.06	
		2-Wire Analog Voice Grade Loop - Service Level 2 w/Loop or Ground Start Signaling - Zone 3		3	UEA	UEAL2	\$34.77	\$144.01	\$107.70	\$40.98	\$26.95	\$3.50		\$25.52	\$11.34	\$16.06	
		2-Wire Analog Voice Grade Loop - Service Level 2 w/Loop or Ground Start Signaling - Zone 4		4	UEA	UEAL2	\$45.88	\$144.01	\$107.70	\$40.98	\$26.95	\$3.50		\$25.52	\$11.34	\$16.06	
		Order Coordination for Specified Conversion Time (per LSR)			UEA	OCOSL	\$45.27	\$45.27									
		2-Wire Analog Voice Grade Loop - Service Level 2 w/Reverse Battery Signaling - Zone 1		1	UEA	UEAR2	\$18.35	\$144.01	\$107.70	\$40.98	\$26.95	\$3.50		\$25.52	\$11.34	\$16.06	
		2-Wire Analog Voice Grade Loop - Service Level 2 w/Reverse Battery Signaling - Zone 2		2	UEA	UEAR2	\$24.33	\$144.01	\$107.70	\$40.98	\$26.95	\$3.50		\$25.52	\$11.34	\$16.06	
		2-Wire Analog Voice Grade Loop - Service Level 2 w/Reverse Battery Signaling - Zone 3		3	UEA	UEAR2	\$34.77	\$144.01	\$107.70	\$40.98	\$26.95	\$3.50		\$25.52	\$11.34	\$16.06	
		2-Wire Analog Voice Grade Loop - Service Level 2 w/Reverse Battery Signaling - Zone 4		4	UEA	UEAR2	\$45.88	\$144.01	\$107.70	\$40.98	\$26.95	\$3.50		\$25.52	\$11.34	\$16.06	
		Order Coordination for Specified Conversion Time (per LSR)			UEA	OCOSL	\$45.27	\$45.27									
4-WIRE ANALOG VOICE GRADE LOOP																	
		4-Wire Analog Voice Grade Loop - Zone 1		1	UEA	UEAL4	\$22.38	\$289.06	\$238.19	\$108.14	\$57.28	\$3.50		\$25.52	\$11.34	\$16.06	
		4-Wire Analog Voice Grade Loop - Zone 2		2	UEA	UEAL4	\$29.67	\$289.06	\$238.19	\$108.14	\$57.28	\$3.50		\$25.52	\$11.34	\$16.06	
		4-Wire Analog Voice Grade Loop - Zone 3		3	UEA	UEAL4	\$42.40	\$289.06	\$238.19	\$108.14	\$57.28	\$3.50		\$25.52	\$11.34	\$16.06	
		4-Wire Analog Voice Grade Loop - Zone 4		4	UEA	UEAL4	\$55.96	\$289.06	\$238.19	\$108.14	\$57.28	\$3.50		\$25.52	\$11.34	\$16.06	
		Order Coordination for Specified Conversion Time (per LSR)			UEA	OCOSL	\$45.27	\$45.27									
2-WIRE ISDN DIGITAL GRADE LOOP																	
		2-Wire ISDN Digital Grade Loop - Zone 1		1	UDN	U1L2X	\$21.86	\$326.38	\$252.00	\$108.14	\$57.27	\$3.50		\$25.52	\$11.34	\$16.06	
		2-Wire ISDN Digital Grade Loop - Zone 2		2	UDN	U1L2X	\$28.97	\$326.38	\$252.00	\$108.14	\$57.27	\$3.50		\$25.52	\$11.34	\$16.06	
		2-Wire ISDN Digital Grade Loop - Zone 3		3	UDN	U1L2X	\$41.40	\$326.38	\$252.00	\$108.14	\$57.27	\$3.50		\$25.52	\$11.34	\$16.06	
		2-Wire ISDN Digital Grade Loop - Zone 4		4	UDN	U1L2X	\$54.64	\$326.38	\$252.00	\$108.14	\$57.27	\$3.50		\$25.52	\$11.34	\$16.06	
		Order Coordination For Specified Conversion Time (per LSR)			UDN	OCOSL	\$45.27	\$45.27									
2-WIRE Universal Digital Channel (UDC) COMPATIBLE LOOP																	
		2-Wire Universal Digital Channel (UDC) Compatible Loop - Zone 1		1	UDC	UDC2X	\$32.48	\$233.54	\$158.71	\$104.88	\$20.59	\$3.50		\$25.52	\$11.34	\$16.06	
		2-Wire Universal Digital Channel (UDC) Compatible Loop - Zone 2		2	UDC	UDC2X	\$42.06	\$233.54	\$158.71	\$104.88	\$20.59	\$3.50		\$25.52	\$11.34	\$16.06	
		2-Wire Universal Digital Channel (UDC) Compatible Loop - Zone 3		3	UDC	UDC2X	\$55.26	\$233.54	\$158.71	\$104.88	\$20.59	\$3.50		\$25.52	\$11.34	\$16.06	
		2-Wire Universal Digital Channel (UDC) Compatible Loop - Zone 4		4	UDC	UDC2X	\$71.05	\$233.54	\$158.71	\$104.88	\$20.59	\$3.50		\$25.52	\$11.34	\$16.06	
2-WIRE ASYMMETRICAL DIGITAL SUBSCRIBER LINE (ADSL) COMPATIBLE LOOP																	

BELLSOUTH / METROMEDIA FIBER NETWORK SERVICES RATES
Unbundled Network Elements
MISSISSIPPI

CATEGORY	NOTES	UNBUNDLED NETWORK ELEMENT	Interim	Zone	BCS	USOC	RATES					OSS RATES									
							Rec	First	Add'l	First	Add'l	Svc Order Submitted Elec per LSR	Svc Order Submitted Manually per LSR	Incremental Charge - Manual Svc Order vs. Electronic-1st	Incremental Charge - Manual Svc Order vs. Electronic-Add'l	Incremental Charge - Manual Svc Order vs. Electronic-Disc 1st	Incremental Charge - Manual Svc Order vs. Electronic-Disc Add'l				
																		Nonrecurring		Nonrecurring	
																		Disconnect		Disconnect	
SOMEc	SOMAN	SOMAN	SOMAN	SOMAN	SOMAN																
		2-WIRE ASYMMETRICAL DIGITAL SUBSCRIBER LINE (ADSL) COMPATIBLE LOOP																			
		2 Wire Unbundled ADSL Loop including manual service inquiry & facility reservation - Zone 1		1	UAL	UAL2X	\$10.87	\$504.82	\$456.24	\$105.86	\$57.25	\$3.50		\$25.52	\$11.34	\$16.06					
		2 Wire Unbundled ADSL Loop including manual service inquiry & facility reservation - Zone 2		2	UAL	UAL2X	\$14.40	\$504.82	\$456.24	\$105.86	\$57.25	\$3.50		\$25.52	\$11.34	\$16.06					
		2 Wire Unbundled ADSL Loop including manual service inquiry & facility reservation - Zone 3		3	UAL	UAL2X	\$20.58	\$504.82	\$456.24	\$105.86	\$57.25	\$3.50		\$25.52	\$11.34	\$16.06					
		2 Wire Unbundled ADSL Loop including manual service inquiry & facility reservation - Zone 4		4	UAL	UAL2X	\$27.16	\$504.82	\$456.24	\$105.86	\$57.25	\$3.50		\$25.52	\$11.34	\$16.06					
		Order Coordination for Specified Conversion Time (per LSR)			UAL	OCOSL		\$45.27													
		2 Wire Unbundled ADSL Loop without manual service inquiry & facility reservation - Zone 1		1	UAL	UAL2W	\$10.87	\$204.56	\$128.86	\$100.05	\$15.75	\$3.50	\$19.99								
		2 Wire Unbundled ADSL Loop without manual service inquiry & facility reservation - Zone 2		2	UAL	UAL2W	\$14.40	\$204.56	\$128.86	\$100.05	\$15.75	\$3.50	\$19.99								
		2 Wire Unbundled ADSL Loop without manual service inquiry & facility reservation - Zone 3		3	UAL	UAL2W	\$20.58	\$204.56	\$128.86	\$100.05	\$15.75	\$3.50	\$19.99								
		2 Wire Unbundled ADSL Loop without manual service inquiry & facility reservation - Zone 4		4	UAL	UAL2W	\$27.16	\$204.56	\$128.86	\$100.05	\$15.75	\$3.50	\$19.99								
		Order Coordination for Specified Conversion Time (per LSR)			UAL	OCOSL		\$45.27													
		2-WIRE HIGH BIT RATE DIGITAL SUBSCRIBER LINE (HDSL) COMPATIBLE LOOP																			
		2-WIRE HIGH BIT RATE DIGITAL SUBSCRIBER LINE (HDSL) COMPATIBLE LOOP																			
		2 Wire Unbundled HDSL Loop including manual service inquiry & facility reservation - Zone 1		1	UHL	UHL2X	\$8.50	\$504.82	\$456.24	\$105.86	\$57.25	\$3.50		\$25.52	\$11.34	\$16.06					
		2 Wire Unbundled HDSL Loop including manual service inquiry & facility reservation - Zone 2		2	UHL	UHL2X	\$11.26	\$504.82	\$456.24	\$105.86	\$57.25	\$3.50		\$25.52	\$11.34	\$16.06					
		2 Wire Unbundled HDSL Loop including manual service inquiry & facility reservation - Zone 3		3	UHL	UHL2X	\$16.10	\$504.82	\$456.24	\$105.86	\$57.25	\$3.50		\$25.52	\$11.34	\$16.06					
		2 Wire Unbundled HDSL Loop including manual service inquiry & facility reservation - Zone 4		4	UHL	UHL2X	\$21.25	\$504.82	\$456.24	\$105.86	\$57.25	\$3.50		\$25.52	\$11.34	\$16.06					
		Order Coordination for Specified Conversion Time			UHL	OCOSL		\$45.27													
		2 Wire Unbundled HDSL Loop without manual service inquiry and facility reservation - Zone 1		1	UHL	UHL2W	\$8.50	\$204.56	\$128.86	\$100.05	\$15.75	\$3.50	\$19.99								
		2 Wire Unbundled HDSL Loop without manual service inquiry and facility reservation - Zone 2		2	UHL	UHL2W	\$11.26	\$204.56	\$128.86	\$100.05	\$15.75	\$3.50	\$19.99								
		2 Wire Unbundled HDSL Loop without manual service inquiry and facility reservation - Zone 3		3	UHL	UHL2W	\$16.10	\$204.56	\$128.86	\$100.05	\$15.75	\$3.50	\$19.99								
		2 Wire Unbundled HDSL Loop without manual service inquiry and facility reservation - Zone 4		4	UHL	UHL2W	\$21.25	\$204.56	\$128.86	\$100.05	\$15.75	\$3.50	\$19.99								
		Order Coordination for Specified Conversion Time			UHL	OCOSL		\$45.27													
		4-WIRE HIGH BIT RATE DIGITAL SUBSCRIBER LINE (HDSL) COMPATIBLE LOOP																			
		4 Wire Unbundled HDSL Loop including manual service inquiry and facility reservation - Zone 1		1	UHL	UHL4X	\$10.36	\$531.21	\$482.63	\$105.86	\$57.25	\$3.50		\$25.52	\$11.34	\$16.06					
		4-Wire Unbundled HDSL Loop including manual service inquiry and facility reservation - Zone 2		2	UHL	UHL4X	\$13.73	\$531.21	\$482.63	\$105.86	\$57.25	\$3.50		\$25.52	\$11.34	\$16.06					
		4-Wire Unbundled HDSL Loop including manual service inquiry and facility reservation - Zone 3		3	UHL	UHL4X	\$19.62	\$531.21	\$482.63	\$105.86	\$57.25	\$3.50		\$25.52	\$11.34	\$16.06					
		4-Wire Unbundled HDSL Loop including manual service inquiry and facility reservation - Zone 4		4	UHL	UHL4X	\$25.90	\$531.21	\$482.63	\$105.86	\$57.25	\$3.50		\$25.52	\$11.34	\$16.06					
		Order Coordination for Specified Conversion Time			UHL	OCOSL		\$45.27													
		4-Wire Unbundled HDSL Loop without manual service inquiry and facility reservation - Zone 1		1	UHL	UHL4W	\$10.36	\$221.85	\$146.16	\$100.05	\$15.75	\$3.50	\$19.99								
		4-Wire Unbundled HDSL Loop without manual service inquiry and facility reservation - Zone 2		2	UHL	UHL4W	\$13.73	\$221.85	\$146.16	\$100.05	\$15.75	\$3.50	\$19.99								
		4-Wire Unbundled HDSL Loop without manual service inquiry and facility reservation - Zone 3		3	UHL	UHL4W	\$19.62	\$221.85	\$146.16	\$100.05	\$15.75	\$3.50	\$19.99								
		4-Wire Unbundled HDSL Loop without manual service inquiry and facility reservation - Zone 4		4	UHL	UHL4W	\$25.90	\$221.85	\$146.16	\$100.05	\$15.75	\$3.50	\$19.99								
		Order Coordination for Specified Conversion Time			UHL	OCOSL		\$45.27													

BELLSOUTH / METROMEDIA FIBER NETWORK SERVICES RATES
Unbundled Network Elements
MISSISSIPPI

CATEGORY	NOTES	UNBUNDLED NETWORK ELEMENT	Interim	Zone	BCS	USOC	RATES				OSS RATES														
							Rec	First	Add'l	First	Add'l	SOME C	SOMAN	SOMAN	SOMAN	SOMAN	SOMAN	SOMAN							
																			Nonrecurring	Nonrecurring	Disconnect	Svc Order Submitted Elec per LSR	Svc Order Submitted Manually per LSR	Incremental Charge - Manual Svc Order vs. Electronic-1st	Incremental Charge - Manual Svc Order vs. Electronic-Add'l
4-WIRE DS1 DIGITAL LOOP																									
		4-Wire DS1 Digital Loop - Zone 1		1	USL	USLXX	\$50.99	\$599.09	\$373.90	\$133.53	\$56.25	\$3.50			\$25.52	\$11.34	\$16.06								
		4-Wire DS1 Digital Loop - Zone 2		2	USL	USLXX	\$67.58	\$599.09	\$373.90	\$133.53	\$56.25	\$3.50			\$25.52	\$11.34	\$16.06								
		4-Wire DS1 Digital Loop - Zone 3		3	USL	USLXX	\$96.58	\$599.09	\$373.90	\$133.53	\$56.25	\$3.50			\$25.52	\$11.34	\$16.06								
		4-Wire DS1 Digital Loop - Zone 4		4	USL	USLXX	\$127.40	\$599.09	\$373.90	\$133.53	\$56.25	\$3.50			\$25.52	\$11.34	\$16.06								
		Order Coordination for Specified Conversion Time			USL	OCOSL		\$48.17																	
4-WIRE 19.2, 56 OR 64 KBPS DIGITAL GRADE LOOP																									
		4 Wire Unbundled Digital 19.2 Kbps		1	UDL	UDL19	\$25.61	\$489.000	\$337.93	\$128.36	\$64.35	\$3.5	\$25.52	\$11.34	\$16.06										
		4 Wire Unbundled Digital 19.2 Kbps		2	UDL	UDL19	\$33.94	\$489.000	\$337.93	\$128.36	\$64.35	\$3.5			\$25.52	\$11.34	\$16.06								
		4 Wire Unbundled Digital 19.2 Kbps		3	UDL	UDL19	\$48.51	\$489.000	\$337.93	\$128.36	\$64.35	\$3.5			\$25.52	\$11.34	\$16.06								
		4 Wire Unbundled Digital 19.2 Kbps		4	UDL	UDL19	\$64.02	\$489.000	\$337.93	\$128.36	\$64.35	\$3.5			\$25.52	\$11.34	\$16.06								
		4 Wire Unbundled Digital Loop 56 Kbps - Zone 1		1	UDL	UDL56	\$25.61	\$489.00	\$337.93	\$128.36	\$64.35	\$3.50			\$25.52	\$11.34	\$16.06								
		4 Wire Unbundled Digital Loop 56 Kbps - Zone 2		2	UDL	UDL56	\$33.94	\$489.00	\$337.93	\$128.36	\$64.35	\$3.50			\$25.52	\$11.34	\$16.06								
		4 Wire Unbundled Digital Loop 56 Kbps - Zone 3		3	UDL	UDL56	\$48.51	\$489.00	\$337.93	\$128.36	\$64.35	\$3.50			\$25.52	\$11.34	\$16.06								
		4 Wire Unbundled Digital Loop 56 Kbps - Zone 4		4	UDL	UDL56	\$64.02	\$489.00	\$337.93	\$128.36	\$64.35	\$3.50			\$25.52	\$11.34	\$16.06								
		Order Coordination for Specified Conversion Time			UDL	OCOSL		\$45.27																	
		4 Wire Unbundled Digital Loop 64 Kbps - Zone 1		1	UDL	UDL64	\$25.61	\$489.00	\$337.93	\$128.36	\$64.35	\$3.50			\$25.52	\$11.34	\$16.06								
		4 Wire Unbundled Digital Loop 64 Kbps - Zone 2		2	UDL	UDL64	\$33.94	\$489.00	\$337.93	\$128.36	\$64.35	\$3.50			\$25.52	\$11.34	\$16.06								
		4 Wire Unbundled Digital Loop 64 Kbps - Zone 3		3	UDL	UDL64	\$48.51	\$489.00	\$337.93	\$128.36	\$64.35	\$3.50			\$25.52	\$11.34	\$16.06								
		4 Wire Unbundled Digital Loop 64 Kbps - Zone 4		4	UDL	UDL64	\$64.02	\$489.00	\$337.93	\$128.36	\$64.35	\$3.50			\$25.52	\$11.34	\$16.06								
		Order Coordination for Specified Conversion Time			UDL	OCOSL		\$45.27																	
2-WIRE Unbundled COPPER LOOP																									
		2-Wire Unbundled Copper Loop/Short including manual service inquiry & facility reservation - Zone 1		1	UCL	UCLPB	\$16.85	\$282.94	\$163.41	\$119.58	\$22.26	\$3.50	\$19.99												
		2-Wire Unbundled Copper Loop/Short including manual service inquiry & facility reservation - Zone 2		2	UCL	UCLPB	\$22.34	\$282.94	\$163.41	\$119.58	\$22.26	\$3.50	\$19.99												
		2 Wire Unbundled Copper Loop/Short including manual service inquiry & facility reservation - Zone 3		3	UCL	UCLPB	\$31.92	\$282.94	\$163.41	\$119.58	\$22.26	\$3.50	\$19.99												
		2 Wire Unbundled Copper Loop/Short including manual service inquiry & facility reservation - Zone 4		4	UCL	UCLPB	\$42.13	\$282.94	\$163.41	\$119.58	\$22.26	\$3.50	\$19.99												
		Order Coordination for Unbundled Copper Loops (per loop)			UCL	UCLMC		\$50.29	\$50.29																
		2-Wire Unbundled Copper Loop/Short without manual service inquiry and facility reservation - Zone 1		1	UCL	UCLPW	\$16.85	\$202.7	\$127.000	\$100.05	\$15.75	\$3.50	\$19.99												
		2-Wire Unbundled Copper Loop/Short without manual service inquiry and facility reservation - Zone 2		2	UCL	UCLPW	\$22.34	\$202.7	\$127.000	\$100.05	\$15.75	\$3.50	\$19.99												
		2-Wire Unbundled Copper Loop/Short without manual service inquiry and facility reservation - Zone 3		3	UCL	UCLPW	\$31.92	\$202.7	\$127.000	\$100.05	\$15.75	\$3.50	\$19.99												
		2-Wire Unbundled Copper Loop/Short without manual service inquiry and facility reservation - Zone 4		4	UCL	UCLPW	\$42.13	\$202.7	\$127.000	\$100.05	\$15.75	\$3.50	\$19.99												
		Order Coordination for Unbundled Copper Loops (per loop)			UCL	UCLMC		\$50.29	\$50.29																
		2-Wire Unbundled Copper Loop/Long - includes manual svc. inquiry and facility reservation - Zone 1		1	UCL	UCL2L	\$47.74	\$269.92	\$150.39	\$119.58	\$22.26	\$3.50	\$19.99												
		2-Wire Unbundled Copper Loop/Long - includes manual svc. inquiry and facility reservation - Zone 2		2	UCL	UCL2L	\$70.63	\$269.92	\$150.39	\$119.58	\$22.26	\$3.50	\$19.99												
		2-Wire Unbundled Copper Loop/Long - includes manual svc. inquiry and facility reservation - Zone 3		3	UCL	UCL2L	\$104.29	\$269.92	\$150.39	\$119.58	\$22.26	\$3.50	\$19.99												
		2-Wire Unbundled Copper Loop/Long - includes manual svc. inquiry and facility reservation - Zone 4		4	UCL	UCL2L	\$112.55	\$269.92	\$150.39	\$119.58	\$22.26	\$3.50	\$19.99												
		Order Coordination for Unbundled Copper Loops (per loop)			UCL	UCLMC		\$50.29	\$50.29																
		2-Wire Unbundled Copper Loop/Long - without manual service inquiry and facility reservation - Zone 1		1	UCL	UCL2W	\$47.74	\$189.68	\$113.98	\$100.05	\$15.75	\$3.50	\$19.99												
		2-Wire Unbundled Copper Loop/Long - without manual service inquiry and facility reservation - Zone 2		2	UCL	UCL2W	\$70.63	\$189.68	\$113.98	\$100.05	\$15.75	\$3.50	\$19.99												
		2-Wire Unbundled Copper Loop/Long - without manual service inquiry and facility reservation - Zone 3		3	UCL	UCL2W	\$104.29	\$189.68	\$113.98	\$100.05	\$15.75	\$3.50	\$19.99												
		2-Wire Unbundled Copper Loop/Long - without manual service inquiry and facility reservation - Zone 4		4	UCL	UCL2W	\$112.55	\$189.68	\$113.98	\$100.05	\$15.75	\$3.50	\$19.99												
		Order Coordination for Unbundled Copper Loops (per loop)			UCL	UCLMC		\$50.29	\$50.29																

BELLSOUTH / METROMEDIA FIBER NETWORK SERVICES RATES
Unbundled Network Elements
MISSISSIPPI

CATEGORY	NOTES	Interim	Zone	BCS	USOC	RATES					OSS RATES					
						Rec	First	Add'l	First	Add'l	SOMEc	SOMAN	SOMAN	SOMAN	SOMAN	SOMAN
						Nonrecurring	Nonrecurring	Nonrecurring	Nonrecurring	Nonrecurring						
UNBUNDLED NETWORK ELEMENT																
	2-Wire Unbundled Copper Loop - Non-Designed Zone 1	I	1	UEQ	UEQ2X	\$11.01	\$44.69	\$22.40	\$25.65	\$7.06	\$3.50			\$25.52	\$11.34	\$16.06
	2 Wire Unbundled Copper Loop - Non-Designed - Zone 2	I	2	UEQ	UEQ2X	\$12.67	\$44.69	\$22.40	\$25.65	\$7.06	\$3.5			\$25.52	\$11.34	\$16.06
	2 Wire Unbundled Copper Loop - Non-Designed - Zone 3	I	3	UEQ	UEQ2X	\$20.22	\$44.69	\$22.40	\$25.65	\$7.06	\$3.5			\$25.52	\$11.34	\$16.06
	2 Wire Unbundled Copper Loop - Non-Designed - Zone 4	I	4	UEQ	UEQ2X	\$20.22	\$44.69	\$22.40	\$25.65	\$7.06	\$3.50			\$25.52	\$11.34	\$16.06
	Order Coordination 2 Wire Unbundled Copper Loop - Non-Designed (per loop)			UEQ	USBMC		\$50.29	\$50.29								
	Engineering Information Document			UEQ			\$28.72	\$28.72								
	Loop Testing - Basic 1st Half Hour			UEQ	URET1		\$78.92	\$78.92								
	Loop Testing - Basic Additional Half Hour			UEQ	URETA		\$23.33	\$23.33								
4-WIRE COPPER LOOP																
	4-Wire Copper Loop/Short - including manual service inquiry and facility reservation - Zone 1		1	UCL	UCL4S	\$22.24	\$331.29	\$211.76	\$133.82	\$28.26	\$3.50	\$19.99				
	4-Wire Copper Loop/Short - including manual service inquiry and facility reservation - Zone 2		2	UCL	UCL4S	\$25.82	\$331.29	\$211.76	\$133.82	\$28.26	\$3.50	\$19.99				
	4-Wire Copper Loop/Short - including manual service inquiry and facility reservation - Zone 3		3	UCL	UCL4S	\$28.12	\$331.29	\$211.76	\$133.82	\$28.26	\$3.50	\$19.99				
	Order Coordination for Unbundled Copper Loops (per loop)			UCL	UCLMC		\$50.29	\$50.29								
	4-Wire Copper Loop/Short - without manual service inquiry and facility reservation - Zone 1		1	UCL	UCL4W	\$22.24	\$251.04	\$175.34	\$112.63	\$21.21	\$3.50	\$19.99				
	4-Wire Copper Loop/Short - without manual service inquiry and facility reservation - Zone 2		2	UCL	UCL4W	\$25.82	\$251.04	\$175.34	\$112.63	\$21.21	\$3.50	\$19.99				
	4-Wire Copper Loop/Short - without manual service inquiry and facility reservation - Zone 3		3	UCL	UCL4W	\$28.12	\$251.04	\$175.34	\$112.63	\$21.21	\$3.50	\$19.99				
	Order Coordination for Unbundled Copper Loops (per loop)			UCL	UCLMC		\$50.29	\$50.29								
	4-Wire Unbundled Copper Loop/Long - includes manual svc. inquiry and facility reservation - Zone 1		1	UCL	UCL4L	\$82.53	\$318.27	\$198.74	\$133.82	\$28.26	\$3.50	\$19.99				
	4-Wire Unbundled Copper Loop/Long - includes manual svc. inquiry and facility reservation - Zone 2		2	UCL	UCL4L	\$127.11	\$318.27	\$198.74	\$133.82	\$28.26	\$3.50	\$19.99				
	4-Wire Unbundled Copper Loop/Long - includes manual svc. inquiry and facility reservation - Zone 3		3	UCL	UCL4L	\$138.69	\$318.27	\$198.74	\$133.82	\$28.26	\$3.50	\$19.99				
	Order Coordination for Unbundled Copper Loops (per loop)			UCL	UCLMC		\$50.29	\$50.29								
	4-Wire Unbundled Copper Loop/Long - without manual svc. inquiry and facility reservation - Zone 1		1	UCL	UCL4O	\$82.53	\$238.02	\$162.33	\$112.63	\$21.2	\$3.50	\$19.99				
	4-Wire Unbundled Copper Loop/Long - without manual svc. inquiry and facility reservation - Zone 2		2	UCL	UCL4O	\$127.11	\$238.02	\$162.33	\$112.63	\$21.2	\$3.50	\$19.99				
	4-Wire Unbundled Copper Loop/Long - without manual svc. inquiry and facility reservation - Zone 3		3	UCL	UCL4O	\$138.69	\$238.02	\$162.33	\$112.63	\$21.2	\$3.50	\$19.99				
	Order Coordination for Unbundled Copper Loops (per loop)			UCL	UCLMC		\$50.29	\$50.29								
LOOP MODIFICATION																
	Unbundled Loop Modification, Removal of Load Coils - 2 Wire pair less than or equal to 18k ft			UAL, UHL, UCL, UEQ	ULM2L		\$65.09	\$65.09								
	Unbundled Loop Modification, Removal of Load Coils - 2 wire greater than 18k ft			UCL	ULM2G		\$341.07	\$341.07								
	Unbundled Loop Modification Removal of Load Coils - 4 Wire less than or equal to 18K ft			UHL, UCL	ULM4L		\$65.09	\$65.09								
	Unbundled Loop Modification Removal of Load Coils - 4 Wire pair greater than 18k ft			UCL	ULM4G		\$341.07	\$341.07								
	Unbundled Loop Modification Removal of Bridged Tap Removal, per unbundled loop			UAL, UHL, UCL, UEQ, UEF	ULMBT		\$65.13	\$65.13								
SUB-LOOPS																
Sub-Loop Distribution																
	Sub-Loop - Per Cross Box Location - CLEC Feeder Facility Set-Up	I		UEANL	USBSA		\$540.53	\$540.53			\$3.50			\$25.52	\$11.34	\$16.06
	Sub-Loop - Per Cross Box Location - Per 25 Pair Panel Set-Up	I		UEANL	USBSB		\$45.21	\$45.21			\$3.50			\$25.52	\$11.34	\$16.06
	Sub-Loop - Per Building Equipment Room - CLEC Feeder Facility Set-Up	I		UEANL	USBSC		\$379.25	\$379.25			\$3.50			\$25.52	\$11.34	\$16.06
	Sub-Loop - Per Building Equipment Room - Per 25 Pair Panel Set-Up	I		UEANL	USBSD		\$111.97	\$111.97			\$3.50			\$25.52	\$11.34	\$16.06
	Sub-Loop Distribution Per 2-Wire Analog Voice Grade Loop - Zone 1	I	1	UEANL	USBN2	\$10.75	\$131.42	\$61.83	\$90.07	\$13.33	\$3.50			\$25.52	\$11.34	\$16.06
	Sub-Loop Distribution Per 2-Wire Analog Voice Grade Loop - Zone 2	I	2	UEANL	USBN2	\$14.40	\$131.42	\$61.83	\$90.07	\$13.33	\$3.50			\$25.52	\$11.34	\$16.06

BELLSOUTH / METROMEDIA FIBER NETWORK SERVICES RATES
Unbundled Network Elements
MISSISSIPPI

CATEGORY	NOTES	UNBUNDLED NETWORK ELEMENT	Interim	Zone	BCS	USOC	RATES					OSS RATES						
							Rec	First	Add'l	First	Add'l	SOMEc	SOMAN	SOMAN	SOMAN	SOMAN	SOMAN	SOMAN
		Sub-Loop Distribution Per 2-Wire Analog Voice Grade Loop - Zone 3	I	3	UEANL	USBN2	\$18.53	\$131.42	\$61.83	\$90.07	\$13.33	\$3.50	\$25.52	\$11.34	\$16.06	\$16.06		
		Sub-Loop Distribution Per 2-Wire Analog Voice Grade Loop - Zone 4		4	UEANL	USBN2	\$23.19	\$131.42	\$61.83	\$90.07	\$13.33	\$3.50	\$25.52	\$11.34	\$16.06	\$16.06		
		Order Coordination for Unbundled Sub-Loops, per sub-loop pair			UEANL	USBMC		\$45.27	\$45.27									
		Sub-Loop Distribution Per 4-Wire Analog Voice Grade Loop - Zone 1		1	UEANL	USBN4	\$11.29	\$157.85	\$88.26	\$101.80	\$18.57	\$3.50	\$25.52	\$11.34	\$16.06	\$16.06		
		Sub-Loop Distribution Per 4-Wire Analog Voice Grade Loop - Zone 2		2	UEANL	USBN4	\$19.41	\$157.85	\$88.26	\$101.80	\$18.57	\$3.50	\$25.52	\$11.34	\$16.06	\$16.06		
		Sub-Loop Distribution Per 4-Wire Analog Voice Grade Loop - Zone 3		3	UEANL	USBN4	\$20.90	\$157.85	\$88.26	\$101.80	\$18.57	\$3.50	\$25.52	\$11.34	\$16.06	\$16.06		
		Sub-Loop Distribution Per 4-Wire Analog Voice Grade Loop - Zone 4		4	UEANL	USBN4	\$20.90	\$157.85	\$105.88	\$90.07	\$13.33	\$3.50	\$25.52	\$11.34	\$16.06	\$16.06		
		Order Coordination for Unbundled Sub-Loops, per sub-loop pair			UEANL	USBMC		\$45.27	\$45.27									
		Sub-Loop 2-Wire IntraBuilding Network Cable (INC)	I		UEANL	USBR2	\$2.79	\$105.88	\$36.29	\$90.07	\$13.33	\$3.50	\$25.52	\$11.34	\$16.06	\$16.06		
		Order Coordination for Unbundled Sub-Loops, per sub-loop pair			UEANL	USBMC		\$45.27	\$45.27									
		Sub-Loop 4-Wire IntraBuilding Network Cable (INC)	I		UEANL	USBR4	\$5.39	\$118.34	\$48.76	\$101.80	\$18.57	\$3.5	\$25.52	\$11.34	\$16.06	\$16.06		
		Order Coordination for Unbundled Sub-Loops, per sub-loop pair			UEANL	USBMC		\$45.27	\$45.27									
		2 Wire Copper Unbundled Sub-Loop Distribution - Zone 1	I	1	UEF	UCS2X	\$8.74	\$191.42	\$61.83	\$90.07	\$19.33	\$3.5	\$25.52	\$11.34	\$16.06	\$16.06		
		2 Wire Copper Unbundled Sub-Loop Distribution - Zone 2	I	2	UEF	UCS2X	\$9.31	\$191.42	\$61.83	\$90.07	\$19.33	\$3.50	\$25.52	\$11.34	\$16.06	\$16.06		
		2 Wire Copper Unbundled Sub-Loop Distribution - Zone 3	I	3	UEF	UCS2X	\$10.60	\$191.42	\$61.83	\$90.07	\$19.33	\$3.50	\$25.52	\$11.34	\$16.06	\$16.06		
		2 Wire Copper Unbundled Sub-Loop Distribution - Zone 4	I	4	UEF	UCS2X	\$12.67	\$191.42	\$61.83	\$90.07	\$19.33	\$3.50	\$25.52	\$11.34	\$16.06	\$16.06		
		Order Coordination for Unbundled Sub-Loops, per sub-loop pair			UEF	USBMC		\$45.27	\$45.27									
		4 Wire Copper Unbundled Sub-Loop Distribution - Zone 1	I	1	UEF	UCS4X	\$7.46	\$167.86	\$88.26	\$101.80	\$18.57	\$3.50	\$25.52	\$11.34	\$16.06	\$16.06		
		4 Wire Copper Unbundled Sub-Loop Distribution - Zone 2	I	2	UEF	UCS4X	\$14.68	\$167.86	\$88.26	\$101.80	\$18.57	\$3.50	\$25.52	\$11.34	\$16.06	\$16.06		
		4 Wire Copper Unbundled Sub-Loop Distribution - Zone 3	I	3	UEF	UCS4X	\$18.61	\$167.86	\$88.26	\$101.80	\$18.57	\$3.50	\$25.52	\$11.34	\$16.06	\$16.06		
		4 Wire Copper Unbundled Sub-Loop Distribution - Zone 4	I	4	UEF	UCS4X	\$18.61	\$167.86	\$88.26	\$101.80	\$18.57	\$3.50	\$25.52	\$11.34	\$16.06	\$16.06		
		Order Coordination for Unbundled Sub-Loops, per sub-loop pair			UEF	USBMC		\$45.27	\$45.27									
		Sub-Loop Feeder																
		USL-Feeder, DS0 Set-up per Cross Box location - CLEC Distribution Facility set-up			UEA, UDN,UCL,UDL,UDC	USBFW		\$540.53										
		USL Feeder - DS0 Set-up per Cross Box location - per 25 pair set-up			UEA, UDN,UCL,UDL,UDC	USBFX		\$45.21	\$45.21									
		USL Feeder DS1 Set-up at DSX location, per DS1 termination			USL	USBFZ		\$534.46	\$11.3									
		Unbundled Sub-Loop Feeder Loop, 2 Wire Ground Start, Voice Grade - Zone 1		1	UEA	USBFA	\$12.34	\$185.12	\$112.19	\$108.13	\$26.82	\$3.5	\$19.99					
		Unbundled Sub-Loop Feeder Loop, 2 Wire Ground-Start, Voice Grade - Zone 2		2	UEA	USBFA	\$17.1	\$185.12	\$112.19	\$108.13	\$26.82	\$3.5	\$19.99					
		Unbundled Sub-Loop Feeder Loop, Per 2 Wire Ground-Start, Voice Grade - Zone 3		3	UEA	USBFA	\$25.55	\$185.12	\$112.19	\$108.13	\$26.82	\$3.5	\$19.99					
		Unbundled Sub-Loop Feeder Loop, 2 Wire Ground-Start Loop, Voice Grade - Zone 4		4	UEA	USBFA	\$32.36	\$185.12	\$112.19	\$108.13	\$26.82	\$3.5	\$19.99					
		Order Coordination for Specified Conversion Time, per LSR			UEA	OCOSL		\$45.27										
		Unbundle Sub-Loop Feeder Loop, 2 Wire Loop-Start, Voice Grade - Zone 1		1	UEA	USBFb	\$12.34	\$185.12	\$112.19	\$108.13	\$26.82	\$3.5	\$19.99					
		Unbundled Sub-Loop Feeder Loop, 2 Wire Loop-Start, Voice Grade - Zone 2		2	UEA	USBFb	\$17.1	\$185.12	\$112.19	\$108.13	\$26.82	\$3.5	\$19.99					
		Unbundled Sub-Loop Feeder Loop, 2 Wire Start Loop, Voice Grade - Zone 3		3	UEA	USBFb	\$25.55	\$185.12	\$112.19	\$108.13	\$26.82	\$3.5	\$19.99					
		Unbundled Sub-Loop Feeder Loop, 2 Wire Loop-Start, Voice Grade - Zone 4		4	UEA	USBFb	\$32.36	\$185.12	\$112.19	\$108.13	\$26.82	\$3.5	\$19.99					
		Order Coordination for Specified Time Conversion, per LSR			UEA	OCOSL		\$45.27										
		Unbundled Sub-Loop Feeder Loop, 2 Wire Reverse Battery, Voice Grade - Zone 1		1	UEA	USBFc	\$12.34	\$185.12	\$112.19	\$108.13	\$26.82	\$3.5	\$19.99					
		Unbundled Sub-Loop Feeder Loop, 2 Wire Reverse Battery, Voice Grade - Zone 2		2	UEA	USBFc	\$17.1	\$185.12	\$112.19	\$108.13	\$26.82	\$3.5	\$19.99					
		Unbundled Sub-Loop Feeder Loop, 2 Wire Analog Reverse Battery, Voice Grade - Zone 3		3	UEA	USBFc	\$25.55	\$185.12	\$112.19	\$108.13	\$26.82	\$3.5	\$19.99					
		Unbundled Sub-Loop Feeder Loop, 2 Wire Reverse Battery, Voice Grade - Zone 4		4	UEA	USBFc	\$32.36	\$185.12	\$112.19	\$108.13	\$26.82	\$3.5	\$19.99					
		Order Coordination For Specified Conversion Time, per LSR			UEA	OCOSL		\$45.27										
		Unbundled Sub-Loop Feeder Loop, 4 Wire Ground-Start, Voice Grade - Zone 1		1	UEA	USBFd	\$28.24	\$213.89	\$139.06	\$126.45	\$35.02	\$3.5	\$19.99					
		Unbundled Sub-Loop Feeder Loop, 4 Wire Ground-Start, Voice Grade - Zone 2		2	UEA	USBFd	\$32.51	\$213.89	\$139.06	\$126.45	\$35.02	\$3.5	\$19.99					
		Unbundled Sub-Loop Feeder Loop, 4 Wire Ground Start, Voice Grade - Zone 3		3	UEA	USBFd	\$41.5	\$213.89	\$139.06	\$126.45	\$35.02	\$3.5	\$19.99					

BELLSOUTH / METROMEDIA FIBER NETWORK SERVICES RATES
Unbundled Network Elements
MISSISSIPPI

CATEGORY	NOTES	UNBUNDLED NETWORK ELEMENT	Interim	Zone	BCS	USOC	RATES					OSS RATES					
							Rec	First	Add'l	First	Add'l	Svc Order Submitted Elec per LSR	Svc Order Submitted Manually per LSR	Incremental Charge - Manual Svc Order vs. Electronic-1st	Incremental Charge - Manual Svc Order vs. Electronic-Add'l	Incremental Charge - Manual Svc Order vs. Electronic-Disc 1st	Incremental Charge - Manual Svc Order vs. Electronic-Disc Add'l
SOMEc	SOMAN	SOMAN	SOMAN	SOMAN	SOMAN												
		Order Coordination For Specified Conversion Time, Per LSR			UEA	OCOSL		\$45.27									
		Unbundled Sub-Loop Feeder Loop, 4 Wire Loop-Start, Voice Grade - Zone 1		1	UEA	USBFE	\$28.24	\$213.89	\$139.06	\$126.45	\$35.02	\$3.5	\$19.99				
		Unbundled Sub-Loop Feeder Loop, 4 Wire Loop-Start, Voice Grade - Zone 2		2	UEA	USBFE	\$32.51	\$213.89	\$139.06	\$126.45	\$35.02	\$3.5	\$19.99				
		Unbundled Sub-Loop Feeder Loop, 4 Wire Loop-Start, Voice Grade - Zone 3		3	UEA	USBFE	\$41.5	\$213.89	\$139.06	\$126.45	\$35.02	\$3.5	\$19.99				
		Order Coordination For Specified Conversion Time, Per LSR			UEA	OCOSL		\$45.27									
		Unbundled Sub-Loop Feeder Loop, 2 Wire ISDN BRI - Zone 1		1	UDN	USBFF	\$22.46	\$211.41	\$136.58	\$110.37	\$26.07	\$3.5	\$19.99				
		Unbundled Sub-Loop Feeder Loop, 2-Wire ISDN BRI - Zone 2		2	UDN	USBFF	\$28.25	\$211.41	\$136.58	\$110.37	\$26.07	\$3.5	\$19.99				
		Unbundled Sub-Loop Feeder Loop, 2-Wire ISDN BRI - Zone 3		3	UDN	USBFF	\$37.36	\$211.41	\$136.58	\$110.37	\$26.07	\$3.5	\$19.99				
		Unbundled Sub-Loop Feeder Loop, 2-Wire ISDN BRI - Zone 4		4	UDN	USBFF	\$48.23	\$211.41	\$136.58	\$110.37	\$26.07	\$3.5	\$19.99				
		Order Coordination For Specified Conversion Time, Per LSR			UDN	OCOSL		\$45.27									
		Unbundled Sub-Loop Feeder, 2 Wire UDC (IDSL compatible)		1	UDC	USBFS	\$22.46	\$211.41	\$136.58	\$110.37	\$26.07	\$3.5	\$19.99				
		Unbundled Sub-Loop Feeder, 2 Wire UDC (IDSL compatible)		2	UDC	USBFS	\$28.25	\$211.41	\$136.58	\$110.37	\$26.07	\$3.5	\$19.99				
		Unbundled Sub-Loop Feeder, 2 Wire UDC (IDSL compatible)		3	UDC	USBFS	\$37.36	\$211.41	\$136.58	\$110.37	\$26.07	\$3.5	\$19.99				
		Unbundled Sub-Loop Feeder, 2 Wire UDC (IDSL compatible)		4	UDC	USBFS	\$48.23	\$211.41	\$136.58	\$110.37	\$26.07	\$3.5	\$19.99				
		Unbundled Sub-Loop Feeder Loop, 4-Wire DS1 - Zone 1		1	USL	USBFG	\$76.62	\$202.5	\$127.66	\$126.45	\$35.02	\$3.5	\$19.99				
		Unbundled Sub-Loop Feeder, 4-Wire DS1 - Zone 2		2	USL	USBFG	\$178.54	\$202.5	\$127.66	\$126.45	\$35.02	\$3.5	\$19.99				
		Unbundled Sub-Loop Feeder Loop, 4-Wire DS1 - Zone 3		3	USL	USBFG	\$224.48	\$202.5	\$127.66	\$126.45	\$35.02	\$3.5	\$19.99				
		Unbundled Sub-Loop Feeder Loop, 4-Wire DS1 - Zone 4		4	USL	USBFG	\$538.86	\$202.5	\$127.66	\$126.45	\$35.02	\$3.5	\$19.99				
		Order Coordination For Specified Conversion Time, Per LSR			USL	OCOSL		\$45.27									
		Unbundled Sub-Loop Feeder, 2-Wire Copper Loop - Zone 1		1	UCL	USBFH	\$7.07	\$167.34	\$92.51	\$105.53	\$21.21	\$3.5	\$19.99				
		Unbundled Sub-Loop Feeder Loop, 2-Wire Copper Loop - Zone 2		2	UCL	USBFH	\$6.05	\$167.34	\$92.51	\$105.53	\$21.21	\$3.5	\$19.99				
		Unbundled Sub-Loop Feeder Loop, 2-Wire Copper Loop - Zone 3		3	UCL	USBFH	\$5.3	\$167.34	\$92.51	\$105.53	\$21.21	\$3.5	\$19.99				
		Unbundled Sub-Loop Feeder, 2-Wire Copper Loop - Zone 4		4	UCL	USBFH	\$4.13	\$167.34	\$92.51	\$105.53	\$21.21	\$3.5	\$19.99				
		Order Coordination For Specified Conversion Time, per LSR			UCL	OCOSL		\$45.27									
		Sub-Loop Feeder - Per 4-Wire Copper Loop - Zone 1		1	UCL	USBFJ	\$16.34	\$201.71	\$126.88	\$118.58	\$27.15	\$3.5	\$19.99				
		Sub-Loop Feeder - Per 4-Wire Copper Loop - Zone 2		2	UCL	USBFJ	\$12.77	\$201.71	\$126.88	\$118.58	\$27.15	\$3.5	\$19.99				
		Sub-Loop Feeder - Per 4-Wire Copper Loop - Zone 3		3	UCL	USBFJ	\$11.06	\$201.71	\$126.88	\$118.58	\$27.15	\$3.5	\$19.99				
		Order Coordination For Specified Conversion Time, per LSR			UCL	OCOSL		\$45.27									
		Sub-Loop Feeder - Per 4-Wire 19.2 Kbps Digital Grade Loop		1	UDL	USBFN	\$28.48	\$202.5	\$127.66	\$126.45	\$35.02	\$3.5	\$19.99				
		Sub-Loop Feeder - Per 4-Wire 19.2 Kbps Digital Grade Loop		2	UDL	USBFN	\$24.17	\$202.5	\$127.66	\$126.45	\$35.02	\$3.5	\$19.99				
		Sub-Loop Feeder - Per 4-Wire 19.2 Kbps Digital Grade Loop		3	UDL	USBFN	\$30.57	\$202.5	\$127.66	\$126.45	\$35.02	\$3.5	\$19.99				
		Sub-Loop Feeder - Per 4-Wire 19.2 Kbps Digital Grade Loop		4	UDL	USBFN	\$28.9	\$202.5	\$127.66	\$126.45	\$35.02	\$3.5	\$19.99				
		Sub-Loop Feeder - Per 4-Wire 56 Kbps Digital Grade Loop - Zone 1		1	UDL	USBFO	\$28.48	\$202.5	\$127.66	\$126.45	\$35.02	\$3.5	\$19.99				
		Sub-Loop Feeder - Per 4-Wire 56 Kbps Digital Grade Loop - Zone 2		2	UDL	USBFO	\$24.17	\$202.5	\$127.66	\$126.45	\$35.02	\$3.5	\$19.99				
		Sub-Loop Feeder - Per 4-Wire 56 Kbps Digital Grade Loop - Zone 3		3	UDL	USBFO	\$30.57	\$202.5	\$127.66	\$126.45	\$35.02	\$3.5	\$19.99				
		Sub-Loop Feeder - Per 4-Wire 56 Kbps Digital Grade Loop - Zone 4		4	UDL	USBFO	\$28.9	\$202.5	\$127.66	\$126.45	\$35.02	\$3.5	\$19.99				
		Order Coordination For Specified Time Conversion, per LSR			UDL	OCOSL		\$45.27									
		Sub-Loop Feeder - Per 4-Wire 64 Kbps Digital Grade Loop - Zone 1		1	UDL	USBFP	\$28.48	\$202.5	\$127.66	\$126.45	\$35.02	\$3.5	\$19.99				
		Sub-Loop Feeder - Per 4-Wire 64 Kbps Digital Grade Loop - Zone 2		2	UDL	USBFP	\$24.17	\$202.5	\$127.66	\$126.45	\$35.02	\$3.5	\$19.99				
		Sub-Loop Feeder - Per 4-Wire 64 Kbps Digital Grade Loop - Zone 3		3	UDL	USBFP	\$30.57	\$202.5	\$127.66	\$126.45	\$35.02	\$3.5	\$19.99				
		Sub-Loop Feeder - Per 4-Wire 64 Kbps Digital Grade Loop - Zone 4		4	UDL	USBFP	\$28.9	\$202.5	\$127.66	\$126.45	\$35.02	\$3.5	\$19.99				
		Order Coordination For Specified Conversion Time, per LSR			UDL	OCOSL		\$45.27									
		Unbundled Sub-Loop Modification															
		Unbundled Sub-Loop Modification - 2-W Copper Dist Load Coil/Equip Removal per 2-W PR			UEF	ULM2X		\$355.23	\$12.25			\$3.5	\$25.52	\$11.34	\$16.06	\$16.06	
		Unbundled Sub-loop Modification - 4-W Copper Dist Load Coil/Equip Removal per 4-W PR			UEF	ULM4X		\$355.23	\$12.25			\$3.50	\$25.52	\$11.34	\$16.06	\$16.06	
		Unbundled Sub-loop Modification - 2-w/4-w Copper Dist Bridged Tap Removal, per PR unloaded			UEF	ULM4T		\$559.80	\$14.28			\$3.50	\$25.52	\$11.34	\$16.06	\$16.06	
		Unbundled Network Terminating Wire (UNTW)															
		Unbundled Network Terminating Wire (UNTW) per Pair			UENTW	UENPP	\$0.37	\$62.97	\$62.97			\$3.50	\$25.52	\$11.34	\$16.06	\$16.06	
		Network Interface Device (NID)															
		Network Interface Device (NID) - 1-2 lines			UENTW	UND12		\$87.05	\$57.38								
		Network Interface Device (NID) - 1-6 lines			UENTW	UND16		\$129.67	\$100.00								
		Network Interface Device Cross Connect - 2 W			UENTW	UNDC2		\$11.79	\$11.79			\$3.5	\$25.52	\$11.34	\$16.06	\$16.06	

BELLSOUTH / METROMEDIA FIBER NETWORK SERVICES RATES
Unbundled Network Elements
MISSISSIPPI

CATEGORY	NOTES	UNBUNDLED NETWORK ELEMENT	Interim	Zone	BCS	USOC	RATES				OSS RATES											
							Rec	First	Add'l	First	Add'l	SOMEC	SOMAN	SOMAN	SOMAN	SOMAN	SOMAN	SOMAN				
																			Nonrecurring		Nonrecurring	
																			Disconnect		Disconnect	
		Network Interface Device Cross Connect - 4W			UENTW	UNDC4		\$11.79	\$11.79			\$3.50			\$25.52	\$11.34	\$16.06	\$16.06				
UNBUNDLED LOOP CONCENTRATION																						
		Unbundled Loop Concentration - System A (TR008)			ULC	UCT8A	\$442.98	\$649.95	\$649.95													
		Unbundled Loop Concentration - System B (TR008)			ULC	UCT8B	\$57.94	\$270.81	\$270.81													
		Unbundled Loop Concentration - System A (TR303)			ULC	UCT3A	\$484.01	\$649.95	\$649.95													
		Unbundled Loop Concentration - System B (TR303)			ULC	UCT3B	\$97.64	\$270.81	\$270.81													
		Unbundled Loop Concentration - DS1 Loop Interface Card			ULC	UCTCO	\$5.5	\$126.4	\$92.02	\$34.38	\$9.62											
		Unbundled Loop Concentration - ISDN Loop Interface (Brite Card)			UDN	ULCC1	\$8.74	\$21.04	\$20.93	\$11.04	\$10.97											
		Unbundled Loop Concentration - UDC Loop Interface (Brite Card)			UDC	ULCCU	\$8.74	\$21.04	\$20.93	\$11.04	\$10.97											
		Unbundled Loop Concentration - 2 Wire Voice-Loop Start or Ground Start Loop Interface (POTS Card)			UEA	ULCC2	\$2.18	\$21.04	\$20.93	\$11.04	\$10.97											
		Unbundled Loop Concentration - 2 Wire Voice - Reverse Battery Loop Interface (SPOTS Card)			UEA	ULCCR	\$12.99	\$21.04	\$20.93	\$11.04	\$10.97											
		Unbundled Loop Concentration - 4 Wire Voice Loop Interface			UEA	ULCC4	\$7.75	\$21.04	\$20.93	\$11.04	\$10.97											
		Unbundled Loop Concentration - TEST CIRCUIT Card			ULC	UCTTC	\$37.85	\$21.04	\$20.93	\$11.04	\$10.97											
		Unbundled Loop Concentration - Digital 19.2 Kbps Data Loop Interface			UDL	ULCC7	\$11.47	\$21.04	\$20.93	\$11.04	\$10.97											
		Unbundled Loop Concentration - Digital 56 Kbps Data Loop Interface			UDL	ULCC5	\$11.47	\$21.04	\$20.93	\$11.04	\$10.97											
		Unbundled Loop Concentration - Digital 64 Kbps Data Loop Interface			UDL	ULCC6	\$11.47	\$21.04	\$20.93	\$11.04	\$10.97											
UNBUNDLED SUB-LOOP CONCENTRATION (OUTSIDE CO)																						
UNE OTHER, PROVISIONING ONLY - NO RATE																						
		NID - Dispatch and Service Order for NID installation			UENTW	UNDBX																
		UNTW Circuit Id Establishment, Provisioning Only - No Rate			UENTW	UENCE																
		Unbundled Contract Name, Provisioning Only - No Rate			UEANL,UEF,UEQ,UENTW	UNECN																
		Unbundled Contact Name, Provisioning Only - no rate			UAL,UCL,UDC,UDLU,UDN,UEA,UHL,ULC	UNECN	\$0.0	\$0.0														
		Unbundled Sub-Loop Feeder-2 Wire Cross Box Jumper - no rate			UEA,UDN,UCL,UDC	USBFQ	\$0.0	\$0.0														
		Unbundled Sub-Loop Feeder-4 Wire Cross Box Jumper - no rate			UEA,USL,UCL,UDL	USBFR	\$0.0	\$0.0														
		Unbundled DS1 Loop - Superframe Format Option - no rate			USL	CCOSF	\$0.0	\$0.0														
		Unbundled DS1 Loop - Expanded Superframe Format option - no rate			USL	CCOEF	\$0.0	\$0.0														
HIGH CAPACITY UNBUNDLED LOCAL LOOP																						
		NOTE: 4 month minimum billing period																				
		High Capacity Unbundled Local Loop - DS3 - Per Mile per month			UE3	1L5ND	\$14.16															
		High Capacity Unbundled Local Loop - DS3 - Facility Termination per month			UE3	UE3PX	\$396.3	\$901.82	\$527.16	\$244.7	\$171.16	\$3.5		\$31.26	\$31.26	\$3.91	\$3.91					
		High Capacity Unbundled Local Loop - STS-1 - Per Mile per month			UDLSX	1L5ND	\$14.16															
		High Capacity Unbundled Local Loop - STS-1 - Facility Termination per month			UDLSX	UDLS1	\$411.34	\$901.82	\$527.16	\$244.7	\$171.16	\$3.5		\$31.26	\$31.26	\$3.91	\$3.91					
LOOP MAKE-UP																						
		Loop Makeup - Preordering Without Reservation, per working or spare facility queried (Manual). **			UMK	UMKLV		\$47.90	\$47.90													
		Loop Makeup - Preordering With Reservation, per spare facility queried (Manual). **			UMK	UMKLP		\$50.79	\$50.79													
		Loop Makeup--With or Without Reservation, per working or spare facility queried (Mechanized) **						\$0.6793	\$0.6793													
LINE SHARING																						
		Line Sharing Splitter, per System 96 Line Capacity		I	ULS	ULSDA	\$206.52	\$377.08	\$0.0	\$354.29	\$0.0	\$0.0	\$0.0	\$0.0								
		Line Sharing Splitter, per System 24 Line Capacity		I	ULS	ULSDB	\$51.63	\$377.08	\$0.0	\$354.29	\$0.0	\$0.0	\$0.0									
		Line Sharing - per Line Activation		I	ULS	ULSDC	\$0.61	\$36.96	\$21.17	\$19.93	\$9.78	\$3.50		\$25.52	\$11.34	\$16.06	\$16.06					
		Line Sharing - per Subsequent Activity per Line Rearrangement		I	ULS	ULSDS		\$32.73	\$16.35			\$3.50		\$25.52	\$11.34							

BELLSOUTH / METROMEDIA FIBER NETWORK SERVICES RATES
Unbundled Network Elements
MISSISSIPPI

CATEGORY	NOTES	UNBUNDLED NETWORK ELEMENT	Interim	Zone	BCS	USOC	RATES				OSS RATES									
							Rec	First	Add'l	First	Add'l	SOMEc	SOMAN	SOMAN	SOMAN	SOMAN	SOMAN	SOMAN		
																			Nonrecurring	Nonrecurring
		Line Sharing-CLEC/DLEC Owned Splitter in CO-per occurrence of each group of 24 lines (48 pr)	I		ULS	ULSDG	\$57.62				\$11.33									
UNBUNDLED TRANSPORT																				
COMMON TRANSPORT (Shared)																				
		Common Transport - Per Mile, Per MOU					\$0.0000091													
		Common Transport - Facilities Termination Per MOU					\$0.0004281													
NOTE: INTEROFFICE CHANNEL - DEDICATED TRANSPORT - minimum billing period: below DS3 = one month, DS3 and above four months																				
INTEROFFICE CHANNEL - DEDICATED TRANSPORT - VOICE GRADE																				
		Interoffice Channel - Dedicated Transport - 2-Wire Voice Grade - Per Mile per month			U1TVX	1L5XX	\$0.0112													
		Interoffice Channel - Dedicated Transport- 2- Wire Voice Grade - Facility Termination per month			U1TVX	U1TV2	\$24.75	\$80.96	\$54.74	\$34.27	\$14.12	\$3.5		\$31.26	\$31.26	\$3.91	\$3.91			
		Interoffice Channel - Dedicated Transport- 2-Wire Voice Grade Rev Bat. - Per Mile per month			U1TVX	1L5XX	\$0.0112													
		Interoffice Channel - Dedicated Transport- 2- Wire VG Rev Bat. - Facility Termination per month			U1TVX	U1TR2	\$24.75	\$80.96	\$54.74	\$34.27	\$14.12	\$3.50		\$31.26	\$31.26	\$3.91	\$3.91			
		Interoffice Channel - Dedicated Transport - 4-Wire Voice Grade - Per Mile per month			U1TVX	1L5XX	\$0.0112													
		Interoffice Channel - Dedicated Transport - 4- Wire Voice Grade - Facility Termination per month			U1TVX	U1TV4	\$21.75	\$80.96	\$54.74	\$34.27	\$14.12	\$3.5		\$31.26	\$31.26	\$3.91	\$3.91			
		Interoffice Channel - Dedicated Transport - 56 kbps - per mile per month			U1TDX	1L5XX	\$0.0112													
		Interoffice Channel - Dedicated Transport - 56 kbps - Facility Termination per month			U1TDX	U1TD5	\$17.24	\$80.96	\$54.58	\$34.27	\$14.12	\$3.5		\$31.26	\$31.26	\$3.91	\$3.91			
		Interoffice Channel - Dedicated Transport - 64 kbps - per mile per month			U1TDX	1L5XX	\$0.0112													
		Interoffice Channel - Dedicated Transport - 64 kbps - Facility Termination per month			U1TDX	U1TD6	\$17.24	\$80.96	\$54.58	\$34.27	\$14.12	\$3.50		\$31.26	\$31.26	\$3.91	\$3.91			
INTEROFFICE CHANNEL - DEDICATED TRANSPORT - DS1																				
		Interoffice Channel - Dedicated Channel - DS1 - Per Mile per month			U1TD1	1L5XX	\$0.2293													
		Interoffice Channel - Dedicated Transport - DS1 - Facility Termination per month			U1TD1	U1TF1	\$63.00	\$178.29	\$163.40	\$33.40	\$29.57	\$3.5		\$31.26	\$31.26	\$3.91	\$3.91			
INTEROFFICE CHANNEL - DEDICATED TRANSPORT- DS3																				
		Interoffice Channel - Dedicated Transport - DS3 - Per Mile per month			U1TD3	1L5XX	\$5.43													
		Interoffice Channel - Dedicated Transport - DS3 - Facility Termination per month			U1TD3	U1TF3	\$705.42	\$556.75	\$325.07	\$123.28	\$119.71	\$3.5		\$31.26	\$31.26	\$3.91	\$3.91			
INTEROFFICE CHANNEL - DEDICATED TRANSPORT- STS-1																				
		Interoffice Channel - Dedicated Transport - STS-1 - Per Mile per month			U1TS1	1L5XX	\$5.43													
		Interoffice Channel - Dedicated Transport - STS-1 - Facility Termination per month			U1TS1	U1TFS	\$707.97	\$556.75	\$325.07	\$123.28	\$119.71	\$3.5		\$31.26	\$31.26	\$3.91	\$3.91			
LOCAL CHANNEL - DEDICATED TRANSPORT																				
NOTE: LOCAL CHANNEL DEDICATED TRANSPORT - minimum billing period - below DS3=one month, DS3 and above=four months																				
		Local Channel - Dedicated - 2-Wire Voice Grade Per Month			ULCVX	ULDV2	\$16.39	\$385.68	\$67.11	\$75.04	\$6.55	\$12.48		\$31.26	\$31.26	\$3.91	\$3.91			
		Local Channel - Dedicated - 2-Wire Voice Grade Rev Bat per month			ULCVX	ULDR2	\$16.39	\$385.68	\$67.11	\$75.04	\$6.55	\$12.48		\$31.26	\$31.26	\$3.91	\$3.91			
		Local Channel - Dedicated - 4-Wire Voice Grade per month			UNCVX	ULDV4	\$17.59	\$385.68	\$67.11	\$76.00	\$7.51	\$12.48		\$31.26	\$31.26	\$3.91	\$3.91			
		Local Channel - Dedicated - DS1 per month - Zone 1		1	ULDD1	ULDF1	\$41.4	\$354.47	\$307.02	\$45.00	\$31.25	\$3.5		\$31.26	\$31.26	\$3.91	\$3.91			
		Local Channel - Dedicated - DS1 per month - Zone 2		2	ULDD1	ULDF1	\$47.27	\$354.47	\$41.40	\$307.02	\$45.00	\$3.50		\$31.26	\$31.26	\$3.91	\$3.91			
		Local Channel - Dedicated - DS1 per month - Zone 3		3	ULDD1	ULDF1	\$553.26	\$354.47	\$307.02	\$45.00	\$30.52	\$3.50		\$31.26	\$31.26	\$3.91	\$3.91			
		Local Channel - Dedicated - DS3 - Per Mile per month			ULDD3	1L5NC	\$11.02													

BELLSOUTH / METROMEDIA FIBER NETWORK SERVICES RATES
Unbundled Network Elements
MISSISSIPPI

CATEGORY	NOTES	UNBUNDLED NETWORK ELEMENT	Interim	Zone	BCS	USOC	RATES					OSS RATES						
							Rec	Nonrecurring		Nonrecurring		Svc Order Submitted Elec per LSR	Svc Order Submitted Manually per LSR	Incremental Charge - Manual Svc Order vs. Electronic-1st	Incremental Charge - Manual Svc Order vs. Electronic-Add'l	Incremental Charge - Manual Svc Order vs. Electronic-Disc 1st	Incremental Charge - Manual Svc Order vs. Electronic-Disc Add'l	
								First	Add'l	First	Add'l							
								Disconnect										
SOMEc	SOMAN	SOMAN	SOMAN	SOMAN	SOMAN													
		Local Channel - Dedicated - DS3 - Facility Termination per month			ULDD3	ULDF3	\$455.69	\$901.82	\$527.16	\$244.7	\$171.16	\$3.5						
		Local Channel - Dedicated - STS-1 - Per Mile per month			ULDS1	1L5NC	\$11.02											
		Local Channel - Dedicated - STS-1 - Facility Termination per month			ULDS1	ULDFS	\$449.26	\$901.82	\$455.69	\$527.16	\$244.7	\$3.50		\$31.26	\$31.26	\$3.91	\$3.91	
MULTIPLEXERS																		
		Channelization - DS1 to DS0 Channel System			UXTD1	MQ1	\$125.29	\$181.84	\$124.98	\$21.57	\$20.05	\$3.5		\$31.26	\$31.26	\$3.91	\$3.91	
		OCU-DP COCI (data) - DS1 to DS0 Channel System - per month (2.4-64kbs)			UDL	1D1DD	\$1.49	\$13.13	\$9.41									
		2-wire ISDN COCI (BRITE) - DS1 to DS0 Channel System - per month			UDN	UC1CA	\$3.19	\$13.13	\$9.41									
		Voice Grade COCI - DS1 to DS0 Channel System - per month			UEA	1D1VG	\$0.6988	\$13.13	\$6.41									
		DS3 to DS1 Channel System per month			UXTD3	MQ3	\$207.87	\$355.8	\$187.69	\$68.11	\$65.17	\$3.5		\$31.26	\$31.26	\$3.91	\$3.91	
		STS1 to DS1 Channel System per month			UXTS1	MQ3	\$207.87											
		DS3 Interface Unit (DS1 COCI) used with Loop per month			USL	UC1D1	\$15.78	\$13.13	\$9.41									
DARK FIBER																		
		Dark Fiber, Four Fiber Strands, Per Route Mile or Fraction Thereof per month - Local Channel			UDF	1L5DC	\$66.94											
		NRC Dark Fiber - Local Channel			UDF	UDFC4		\$1,276.46	\$275.36	\$649.31	\$404.8	\$3.5		\$31.26	\$31.26	\$3.91	\$3.91	
		Dark Fiber, Four Fiber Strands, Per Route Mile or Fraction Thereof per month - Interoffice Channel			UDF	1L5DF	\$32.13											
		NRC Dark Fiber - Interoffice Channel			UDF	UDF14		\$1,276.46	\$275.36	\$649.31	\$404.8	\$3.50		\$31.26	\$31.26	\$3.91	\$3.91	
		Dark Fiber, Four Fiber Strands, Per Route Mile or Fraction Thereof per month - Local Loop			UDF	1L5DL	\$66.94											
		NRC Dark Fiber - Local Loop			UDF	UDFL4		\$1,276.46	\$275.36	\$649.31	\$404.8	\$3.50		\$31.26	\$31.26	\$3.91	\$3.91	
TRANSPORT OTHER																		
Optional Features & Functions:																		
		Clear Channel Capability (B8ZS/ESF) Option - Subsequent - per DS1 Channel			UNC1X	CCOEF		\$184.60	\$23.78	\$1.96	\$0.76	\$12.48		\$29.33	\$3.93			
		Clear Channel Capability (B8ZS/SF) Option - Subsequent - per DS1 Channel			UNC1X	CCOSF		\$184.60	\$23.78	\$1.96	\$0.76	\$12.48		\$29.33	\$3.93			
8XX ACCESS TEN DIGIT SCREENING																		
		8XX Access Ten Digit Screening, Per Call			OHD		\$0.005321											
		8XX Access Ten Digit Screening, Reservation Charge Per 8XX Number Reserved			OHD	N8R1X		\$8.46	\$96			\$3.50		\$25.52				
		8XX Access Ten Digit Screening, Per 8XX No. Established W/O POTS Translations			OHD			\$17.04	\$1.93	\$11.32	\$96	\$3.50		\$25.52		\$16.05	\$16.05	
		8XX Access Ten Digit Screening, Per 8XX No. Established With POTS Translations			OHD	N8FTX		\$17.04	\$1.93	\$11.32	\$96	\$3.50		\$25.52		\$16.05	\$16.05	
		8XX Access Ten Digit Screening, Customized Area of Service Per 8XX Number			OHD	N8FCX		\$5.63	\$2.81			\$3.50						
		8XX Access Ten Digit Screening, Multiple InterLATA CXR Routing Per CXR Requested Per 8XX No.			OHD	N8FMX		\$6.59	\$3.77			\$3.50						
		8XX Access Ten Digit Screening, Change Charge Per Request			OHD	N8FAX		\$9.42	\$96			\$3.50		\$25.52				
		8XX Access Ten Digit Screening, Call Handling and Destination Features			OHD	N8FDX		\$5.63	\$5.63			\$3.50						
LINE INFORMATION DATA BASE ACCESS (LIDB)																		
		LIDB Common Transport Per Query				OQT	\$0.000446											
		LIDB Validation Per Query				OQU	\$0.0142132											
		LIDB Originating Point Code Establishment or Change						\$63.63				\$3.50		\$25.52				
SIGNALING (CCS7)																		
		CCS7 Signaling Termination, Per STP Port					\$161.12											
		CCS7 Signaling Usage, Per TCAP Message					\$0.0001115											
		CCS7 Signaling Connection, Per link (A link)					\$21.58	\$169.72	\$169.72	\$134.08	\$134.08	\$3.50		\$25.52	\$25.52	\$16.05	\$16.05	
		CCS7 Signaling Connection, Per link (B link) (also known as D link)					\$21.58	\$169.72	\$169.72	\$134.08	\$134.08	\$3.50		\$25.52	\$25.52	\$16.05	\$16.05	
		CCS7 Signaling Usage, Per ISUP Message					\$0.0000456											
		CCS7 Signaling Usage Surrogate, per link per LATA					\$406.53											

BELLSOUTH / METROMEDIA FIBER NETWORK SERVICES RATES
 Unbundled Network Elements
 MISSISSIPPI

CATEGORY	NOTES	UNBUNDLED NETWORK ELEMENT	Interim	Zone	BCS	USOC	RATES				OSS RATES						
							Rec	Nonrecurring		First	Add'l	Svc Order Submitted Elec per LSR	Svc Order Submitted Manually per LSR	Incremental Charge - Manual Svc Order vs. Electronic-1st	Incremental Charge - Manual Svc Order vs. Electronic-Add'l	Incremental Charge - Manual Svc Order vs. Electronic-Disc 1st	Incremental Charge - Manual Svc Order vs. Electronic-Disc Add'l
								First	Add'l								
SOME	SOMAN	SOMAN	SOMAN	SOMAN	SOMAN	SOMAN											
		CCS7 Signaling Point Code, Establishment or Change, per STP affected						\$62.00	\$62.00			\$3.50					
CALLING NAME (CNAM) SERVICE																	
		CNAM for DB Owners, Per Query						\$0.016									
		CNAM for Non DB Owners, Per Query						\$0.01									
		CNAM (Non-Databs Owner), NRC, applies when using the Character Based User Interface (CHUI)			OQV	CDDCH		\$595.00				\$3.50					
OPERATOR SERVICES AND DIRECTORY ASSISTANCE																	
OPERATOR CALL PROCESSING																	
		Oper. Call Processing - Oper. Provided, Per Min. - Using BST LIDB						\$1.2									
		Oper. Call Processing - Oper. Provided, Per Min. - Using Foreign LIDB						\$1.24									
		Oper. Call Processing - Fully Automated, per Call - Using BST LIDB						\$0.20									
		Oper. Call Processing - Fully Automated, per Call - Using Foreign LIDB						\$0.20									
INWARD OPERATOR SERVICES																	
		Inward Operator Services - Verification, Per Minute						\$1.15									
		Inward Operator Services - Verification and Emergency Interrupt - Per Minute						\$1.15									
BRANDING - OPERATOR CALL PROCESSING																	
		Recording of Custom Branded OA Announcement				CBAOS		\$7,000.00	\$7,000.00	\$9.61	\$9.61						
		Loading of Custom Branded OA Announcement per shelf/NAV				CBAOL		\$500.00	\$500.00			\$3.50					
DIRECTORY ASSISTANCE SERVICES																	
DIRECTORY ASSISTANCE ACCESS SERVICE																	
		Directory Assistance Access Service Calls, Charge Per Call						\$0.275									
DIRECTORY ASSISTANCE CALL COMPLETION ACCESS SERVICE (DACCS)																	
		Directory Assistance Call Completion Access Service (DACCS), Per Call Attempt						\$0.10									
UNBRANDING																	
DIRECTORY TRANSPORT																	
		Directory Transport - Local Channel DS1						\$38.91	\$494.83	\$435.28	\$46.85	\$33.02	\$3.50	\$59.58	\$27.41		
		Directory Transport - DS1 Level Interoffice Per Mile						\$0.6598					\$3.5				
		Directory Transport - DS1 Level Interoffice Per Facility Termination						\$74.40	\$196.28	\$147.31	\$26.56	\$21.61	\$3.50	\$25.52	\$25.52	\$11.34	
		Switched Common Transport Per DA Access Service Per Call						\$0.0002997					\$3.5				
		Switched Common Transport Per DA Access Service Per Call Per Mile						\$0.0000202					\$3.5				
		Access Tandem Switching Per DA Access Service Per Call						\$0.0023713					\$3.5				
		Directory Transport - Installation NRC, Per Trunk or Signaling Connection						\$257.73	\$5.85			\$3.50	\$171.49	\$5.85			
DIRECTORY ASSISTANCE DATA BASE SERVICE (DADS)																	
		Directory Assistance Data Base Service Charge Per Listing						\$0.04									
		Directory Assistance Data Base Service, per month				DBSOF		\$150.00									
BRANDING - DIRECTORY ASSISTANCE																	
		Custom Branding Announcement, per Recording to be used with the provision of DA			AMT	CBADA		\$3,000.00	\$3,000.00								
		Loading of Custom Branded Announcement per DRAM Card/Switch			AMT	CBADC		\$690.00	\$690.00								
SELECTIVE ROUTING																	
		Selective Routing Per Unique Line Class Code Per Request Per Switch				USRCR		\$227.99	\$227.99			\$3.50	\$43.52	\$9.99			

BELLSOUTH / METROMEDIA FIBER NETWORK SERVICES RATES
Unbundled Network Elements
MISSISSIPPI

CATEGORY	NOTES	UNBUNDLED NETWORK ELEMENT	Interim	Zone	BCS	USOC	RATES					OSS RATES					
							Rec	First	Add'l	First	Add'l	Svc Order Submitted Elec per LSR	Svc Order Submitted Manually per LSR	Incremental Charge - Manual Svc Order vs. Electronic-1st	Incremental Charge - Manual Svc Order vs. Electronic-Add'l	Incremental Charge - Manual Svc Order vs. Electronic-Disc 1st	Incremental Charge - Manual Svc Order vs. Electronic-Disc Add'l
SOMEc	SOMAN	SOMAN	SOMAN	SOMAN	SOMAN												
VIRTUAL COLLOCATION																	
		Virtual Collocation - 2-wire Cross Connects (loop)			ueanl,uea,udn,udc,uaf, uhl,ucl,ueq	UEAC2	\$0.3996	\$30.93	\$29.59	\$12.76	\$11.43	\$3.50					
		Virtual Collocation - 2-wire Cross Connects (port)				VE1R2	\$0.3996	\$30.93	\$29.59	\$12.76	\$11.43	\$3.50					
		Virtual Collocation - 4-wire Cross Connects (loop)			uea,uhl,ucl,udl	UEAC4	\$0.7992	\$31.17	\$29.77	\$12.83	\$11.43	\$3.50					
		Virtual Collocation - 4-wire Cross Connects (port)				VE1R4	\$0.7992	\$31.17	\$29.77	\$12.83	\$11.43	\$3.50					
		Virtual Collocation - 2-Fiber Cross Connects				CNC2F	\$15.64	\$41.56	\$29.82	\$12.96	\$10.34	\$3.50					
		Virtual Collocation - 4-Fiber Cross Connects				CNC4F	\$28.11	\$50.53	\$38.78	\$16.97	\$14.35	\$3.50					
		Virtual Collocatin - DS1 Cross Connects			USL,ULC	CNC1X	\$7.5	\$155.000	\$14.00								
AIN SELECTIVE CARRIER ROUTING																	
		Regional Service Establishment			SRC	SRCEC		#####	#####								
		End Office Establishment			SRC	SRCEO		\$320.53	\$320.53								
		Line/Port NRC, per end user			SRC	SRCLP		\$2.06	\$2.06								
		Query NRC, per query			SRC			\$0.000448									
AIN - BELLSOUTH AIN SMS ACCESS SERVICE																	
		AIN SMS Access Service - Service Establishment, Per State, Initial Setup				CAMSE		\$174.03		\$135.96		\$3.50	\$19.99				
		AIN SMS Access Service - Port Connection - Dial/Shared Access				CAMDP		\$53.47		\$37.70		\$3.50					
		AIN SMS Access Service - Port Connection - ISDN Access				CAM1P		\$53.47		\$37.70		\$3.50					
		AIN SMS Access Service - User Identification Codes - Per User ID Code				CAMAU		\$129.83		\$79.91		\$3.50					
		AIN SMS Access Service - Security Card, Per User ID Code, Initial or Replacement				CAMRC		\$131.54		\$45.77		\$3.50					
		AIN SMS Access Service - Storage, Per Unit (100 Kilobytes)						\$0.0029									
		AIN SMS Access Service - Session, Per Minute						\$0.0975650									
		AIN SMS Access Service - Company Performed Session, Per Minute						\$2.09									
AIN - BELLSOUTH AIN TOOLKIT SERVICE																	
		AIN Toolkit Service - Service Establishment Charge, Per State, Initial Setup				BAPSC		\$169.31		\$135.96		\$3.50	\$19.99				
		AIN Toolkit Service - Training Session, Per Customer				BAPVX		\$8,379				\$3.50					
		AIN Toolkit Service - Trigger Access Charge, Per Trigger, Per DN, Term. Attempt				BAPTT		\$39.30		\$37.70		\$3.50					
		AIN Toolkit Service - Trigger Access Charge, Per Trigger, Per DN, Off-Hook Delay				BAPTD		\$39.30		\$37.70		\$3.50					
		AIN Toolkit Service - Trigger Access Charge, Per Trigger, Per DN, Off-Hook Immediate				BAPTM		\$39.30		\$37.70		\$3.50					
		AIN Toolkit Service - Trigger Access Charge, Per Trigger, Per DN, 10-Digit PODP				BAPTO		\$106.90		\$48.44		\$3.50					
		AIN Toolkit Service - Trigger Access Charge, Per Trigger, Per DN, CDP				BAPTC		\$106.90		\$48.44		\$3.50					
		AIN Toolkit Service - Trigger Access Charge, Per Trigger, Per DN, Feature Code				BAPTF		\$106.90		\$48.44		\$3.50					
		AIN Toolkit Service - Query Charge, Per Query						\$0.0256138									
		AIN Toolkit Service - Type 1 Node Charge, Per AIN Toolkit Subscription, Per Node, Per Query						\$0.0065161									
		AIN Toolkit Service - SCP Storage Charge, Per SMS Access Account, Per 100 Kilobytes						\$1.79									
		AIN Toolkit Service - Monthly report - Per AIN Toolkit Service Subscription				BAPMS	\$16.01	\$44.02		\$31.28		\$3.50					
		AIN Toolkit Service - Special Study - Per AIN Toolkit Service Subscription				BAPLS	\$0.0810536	\$47.21				\$3.50					
		AIN Toolkit Service - Call Event Report - Per AIN Toolkit Service Subscription				BAPDS	\$15.93	\$44.02		\$31.28		\$3.50					
		AIN Toolkit Service - Call Event Special Study - Per AIN Toolkit Service Subscription				BAPES	\$0.0027018	\$47.21				\$3.50					
ODUF/EDOUF/ADUF/CMDS																	

BELLSOUTH / METROMEDIA FIBER NETWORK SERVICES RATES
Unbundled Network Elements
MISSISSIPPI

CATEGORY	NOTES	UNBUNDLED NETWORK ELEMENT	Interim	Zone	BCS	USOC	RATES				OSS RATES						
							Rec	First	Add'l	First	Add'l	Svc Order Submitted Elec per LSR	Svc Order Submitted Manually per LSR	Incremental Charge - Manual Svc Order vs. Electronic-1st	Incremental Charge - Manual Svc Order vs. Electronic-Add'l	Incremental Charge - Manual Svc Order vs. Electronic-Disc 1st	Incremental Charge - Manual Svc Order vs. Electronic-Disc Add'l
SOMEc	SOMAN	SOMAN	SOMAN	SOMAN	SOMAN	SOMAN											
ACCESS DAILY USAGE FILE (ADUF)																	
		ADUF: Message Processing, per message					\$0.004										
		ADUF: Data Transmission (CONNECT:DIRECT), per message					\$0.001										
ENHANCED OPTIONAL DAILY USAGE FILE (EODUF)																	
		EODUF: Message Processing, per message					\$0.004										
OPTIONAL DAILY USAGE FILE (ODUF)																	
		ODUF: Recording, per message					\$0.001179										
		ODUF: Message Processing, per message					\$0.0032089										
		ODUF: Message Processing, per Magnetic Tape provisioned					\$54.62										
		ODUF: Data Transmission (CONNECT:DIRECT), per message					\$0.0000354										
ENHANCED EXTENDED LINK (EELs)																	
NOTE: New EELs available in State of Georgia, density zone 1 of following SMAs: Orlando, FL; Miami, FL; Ft. Lauderdale, FL; Nashville, TN; New Orleans, LA;																	
NOTE: Charlotte-Gastonia-Rockhill, NC; Greensboro-Winston Salem-High Point, NC. Use all rates below except Switch As Is Charge.																	
NOTE: In all states, EEL network elements shown below also apply to currently combined facilities which are converted to UNE rates. A Switch As Is Charge applies to currently combined facilities converted to UNEs. (Non-recurring rates do not apply.)																	
NOTE: In Georgia, the EEL network elements apply to ordinarily combined network elements per the GA PSC order. (No Switch As Is Charge.)																	
2-WIRE VOICE GRADE EXTENDED LOOP WITH DEDICATED DS1 INTEROFFICE TRANSPORT (EEL)																	
		First 2-Wire VG Loop(SL2)/DS1 Interofficed Transport Combination - Zone 1		1	UNCVX	UEAL2	\$21.71										
		First 2-Wire VG Grade Loop(SL2)/DS1 Interofficed Transport Combination - Zone 2		2	UNCVX	UEAL2	\$30.19										
		First 2-Wire VG Grade Loop(SL2)/DS1 Interofficed Transport Combination - Zone 3		3	UNCVX	UEAL2	\$42.73										
		First 2-Wire VG Loop(SL2)/DS1 Interofficed Transport Combination - Zone 4		4	NA	NA	\$44.77										
		Interoffice Transport - Dedicated - DS1 combination - Per Mile per month			UNC1X	1L5XX	\$0.2293										
		Interoffice Transport - Dedicated - DS1 combination - Facility Termination per month			UNC1X	U1TF1	\$63.										
		DS1 Channelization System Per Month			UNC1X	MQ1	\$125.29										
		Voice Grade COCI - DS1 To Ds0 Interface - Per Month			UNCVX	1D1VG	\$0.6988										
		Each Additional 2-Wire VG Loop(SL 2) in the same DS1 Interoffice Transport Combination - Zone 1		1	UNCVX	UEAL2	\$21.71										
		Each Additional 2-Wire VG Loop(SL2) in the same DS1 Interoffice Transport Combination - Zone 2		2	UNCVX	UEAL2	\$30.19										
		Each Additional 2-Wire VG Loop(SL2) in the same DS1 Interoffice Transport Combination - Zone 3		3	UNCVX	UEAL2	\$42.73										
		Each Additional 2-Wire VG Loop(SL2) in the same DS1 Interoffice Transport Combination - Zone 4		4	NA	NA	\$44.77										
		Voice Grade COCI - DS1 to DS0 Channel System combination - per month			UNCVX	1D1VG	\$0.6988										
		Nonrecurring Currently Combined Network Elements Switch -As-Is Charge			UNC1X	UNCCC		\$11.17	\$11.17	\$14.29	\$14.29	\$3.5	\$31.26	\$31.26	\$3.91	\$3.91	
4-WIRE VOICE GRADE EXTENDED LOOP WITH DEDICATED DS1 INTEROFFICE TRANSPORT (EEL)																	
		First 4-Wire Analog Voice Grade Loop/DS1 Interoffice Transport Combination - Zone 1		1	UNCVX	UEAL4	\$37.54										

BELLSOUTH / METROMEDIA FIBER NETWORK SERVICES RATES
Unbundled Network Elements
MISSISSIPPI

CATEGORY	NOTES	UNBUNDLED NETWORK ELEMENT	Interim	Zone	BCS	USOC	RATES				OSS RATES							
							Rec	Nonrecurring		Disconnect	Svc Order Submitted Elec per LSR	Svc Order Submitted Manually per LSR	Incremental Charge - Manual Svc Order vs. Electronic-1st	Incremental Charge - Manual Svc Order vs. Electronic-Add'l	Incremental Charge - Manual Svc Order vs. Electronic-Disc 1st	Incremental Charge - Manual Svc Order vs. Electronic-Disc Add'l		
								First	Add'l								First	Add'l
		First 4-Wire Analog Voice Grade Loop/DS1 Interoffice Transport Combination - Zone 2		2	UNCVX	UEAL4	\$50.2											
		First 4-Wire Analog Voice Grade Loop/DS1 Interoffice Transport Combination - Zone 3		3	UNCVX	UEAL4	\$60.55											
		First 4-Wire Analog Voice Grade Loop/DS1 Interoffice Transport Combination - Zone 4		4	NA	NA	\$63.00											
		Interoffice Transport - Dedicated - DS1 combination - Per Mile Per Month			UNC1X	1L5XX	\$0.2293											
		Interoffice Transport - Dedicated - DS1 - Facility Termination Per Month			UNC1X	U1TF1	\$63.											
		Channelization - Channel System DS1 to DS0 combination Per Month			UNC1X	MQ1	\$125.29											
		Voice Grade COCI - DS1 to DS0 Channel System combination - per month			UNCVX	1D1VG	\$0.6988											
		Additional 4-Wire Analog Voice Grade Loop in same DS1 Interoffice Transport Combination - Zone 1		1	UNCVX	UEAL4	\$37.54											
		Additional 4-Wire Analog Voice Grade Loop in same DS1 Interoffice Transport Combination - Zone 2		2	UNCVX	UEAL4	\$50.2											
		Additional 4-Wire Analog Voice Grade Loop in same DS1 Interoffice Transport Combination - Zone 3		3	UNCVX	UEAL4	\$60.55											
		Nonrecurring Currently Combined Network Elements Switch -As-Is Charge			UNC1X	UNCCC		\$11.17	\$11.17	\$14.29	\$14.29	\$3.50		\$31.26	\$31.26	\$3.91	\$3.91	
		4-WIRE 56 KBPS EXTENDED DIGITAL LOOP WITH DEDICATED DS1 INTEROFFICE TRANSPORT (EEL)																
		First 4-Wire 56Kbps Digital Grade Loop/DS1 Interoffice Transport Combination - Zone 1		1	UNCDX	UDL56	\$37.14											
		First 4-Wire 56Kbps Digital Grade Loop/DS1 Interoffice Transport Combination - Zone 2		2	UNCDX	UDL56	\$38.21											
		First 4-Wire 56Kbps Digital Grade Loop/DS1 Interoffice Transport Combination - Zone 3		3	UNCDX	UDL56	\$46.57											
		First 4-Wire 56Kbps Digital Grade Loop/DS1 Interoffice Transport Combination - Zone 4		4	NA	NA	\$44.77											
		Interoffice Transport - Dedicated - DS1 combination - Per Mile Per Month			UNC1X	1L5XX	\$0.2293											
		Interoffice Transport - Dedicated - DS1 - combination Facility Termination Per Month			UNC1X	U1TF1	\$63.											
		Channelization - Channel System DS1 to DS0 combination Per Month			UNC1X	MQ1	\$125.29											
		OCU-DP COCI (data) - DS1 to DS0 Channel System - per month (2.4-64kbs)			UNCDX	1D1DD	\$1.49											
		Additional 4-Wire 56Kbps Digital Grade Loop in same DS1 Interoffice Transport Combination - Zone 1		1	UNCDX	UDL56	\$37.14											
		Additional 4-Wire 56Kbps Digital Grade Loop in same DS1 Interoffice Transport Combination - Zone 2		2	UNCDX	UDL56	\$38.21											
		Additional 4-Wire 56Kbps Digital Grade Loop in same DS1 Interoffice Transport Combination - Zone 3		3	UNCDX	UDL56	\$46.57					\$3.5						
		Additional 4-Wire 56Kbps Digital Grade Loop in same DS1 Interoffice Transport Combination - Zone 4		4	NA	NA	\$44.77											
		OCU-DP COCI (data) - DS1 to DS0 Channel System - combination per month (2.4-64kbs)			UNCDX	1D1DD	\$1.49											
		Nonrecurring Currently Combined Network Elements Switch -As-Is Charge			UNC1X	UNCCC		\$11.17	\$11.17	\$14.29	\$14.29	\$3.50		\$31.26	\$31.26	\$3.91	\$3.91	
		4-WIRE 64 KBPS EXTENDED DIGITAL LOOP WITH DEDICATED DS1 INTEROFFICE TRANSPORT (EEL)																
		First 4-Wire 64Kbps Digital Grade Loop/DS1 Interoffice Transport Combination - Zone 1		1	UNCDX	UDL64	\$37.14											
		First 4-Wire 64Kbps Digital Grade Loop/DS1 Interoffice Transport Combination - Zone 2		2	UNCDX	UDL64	\$38.21											
		First 4-Wire 64Kbps Digital Grade Loop/DS1 Interoffice Transport Combination - Zone 3		3	UNCDX	UDL64	\$46.57											
		First 4-Wire 64Kbps Digital Grade Loop/DS1 Interoffice Transport Combination - Zone 4		4	NA	NA	\$44.77											

BELLSOUTH / METROMEDIA FIBER NETWORK SERVICES RATES
Unbundled Network Elements
MISSISSIPPI

CATEGORY	NOTES	UNBUNDLED NETWORK ELEMENT	Interim	Zone	BCS	USOC	RATES				OSS RATES						
							Rec	First	Add'l	First	Add'l	Svc Order Submitted Elec per LSR	Svc Order Submitted Manually per LSR	Incremental Charge - Manual Svc Order vs. Electronic-1st	Incremental Charge - Manual Svc Order vs. Electronic-Add'l	Incremental Charge - Manual Svc Order vs. Electronic-Disc 1st	Incremental Charge - Manual Svc Order vs. Electronic-Disc Add'l
SOMEc	SOMAN	SOMAN	SOMAN	SOMAN	SOMAN	SOMAN											
		Interoffice Transport - Dedicated - DS1 combination - Per Mile Per Month			UNC1X	1L5XX	\$0.2293										
		Interoffice Transport - Dedicated - DS1 combination - Facility Termination Per Month			UNC1X	U1TF1	\$63.00										
		Channelization - Channel System DS1 to DS0 combination Per Month			UNC1X	MQ1	\$125.29										
		OCU-DP COCI (data) - DS1 to DS0 Channel System combination - per month (2.4-64kbs)			UNC1X	MQ1	\$1.49										
		Additional 4-Wire 64Kbps Digital Grade Loopin same DS1 Interoffice Transport Combination - Zone 1		1	UNC1X	UDL64	\$37.14										
		Additional 4-Wire 64Kbps Digital Grade Loopin same DS1 Interoffice Transport Combination - Zone 2		2	UNC1X	UDL64	\$38.21										
		Additional 4-Wire 64Kbps Digital Grade Loopin same DS1 Interoffice Transport Combination - Zone 3		3	UNC1X	UDL64	\$46.57										
		Additional 4-Wire 64Kbps Digital Grade Loopin same DS1 Interoffice Transport Combination - Zone 4		4	NA	NA	\$44.77										
		OCU-DP COCI (data) - DS1 to DS0 Channel System combination - per month (2.4-64kbs)			UNC1X	UDL64	\$1.49										
		Nonrecurring Currently Combined Network Elements Switch -As-Is Charge			UNC1X	UNCCC		\$11.17	\$11.18	\$14.29	\$14.29	\$3.50	\$31.26	\$31.26	\$3.91	\$3.91	
4-WIRE DS1 DIGITAL EXTENDED LOOP WITH DEDICATED DS1 INTEROFFICE TRANSPORT (EEL)																	
		4-Wire DS1 Digital Loop in Combination with DS1 Interoffice Transport - Zone 1		1	UNC1X	USLXX	\$107.05										
		4-Wire DS1 Digital Loop in Combination with DS1 Interoffice Transport - Zone 2		2	UNC1X	USLXX	\$212.71										
		4-Wire DS1 Digital Loop in Combination with DS1 Interoffice Transport - Zone 3		3	UNC1X	USLXX	\$251.18										
		4-Wire DS1 Digital Loop in Combination with DS1 Interoffice Transport - Zone 4		4	NA	NA	\$566.41										
		Interoffice Transport - Dedicated - DS1 combination - Per Mile Per Month			UNC1X	1L5XX	\$0.2293										
		Interoffice Transport - Dedicated - DS1 combination - Facility Termination Per Month			UNC1X	U1TF1	\$63.										
		Nonrecurring Currently Combined Network Elements Switch -As-Is Charge			UNC1X	UNCCC		\$11.17	\$11.17	\$14.29	\$14.29	\$3.50	\$31.26	\$31.26	\$3.91	\$3.91	
4-WIRE DS1 DIGITAL EXTENDED LOOP WITH DEDICATED DS3 INTEROFFICE TRANSPORT (EEL)																	
		First DS1Loop in DS3 Interoffice Transport Combination - Zone 1		1	UNC1X	USLXX	\$107.05										
		First DS1Loop in DS3 Interoffice Transport Combination - Zone 2		2	UNC1X	USLXX	\$212.71										
		First DS1Loop in DS3 Interoffice Transport Combination - Zone 3		3	UNC1X	USLXX	\$251.44										
		First DS1Loop in DS3 Interoffice Transport Combination - Zone 4		4	NA	NA	\$566.44										
		Interoffice Transport - Dedicated - DS3 combination - Per Mile Per Month			UNC3X	1L5XX	\$5.43										
		Interoffice Transport - Dedicated - DS3 - Facility Termination per month			UNC3X	U1TF3	\$705.42										
		DS3 to DS1 Channel System combination per month			UNC3X	MQ3	\$207.87										
		DS3 Interface Unit (DS1 COCI) combination per month			UNC1X	UC1D1	\$15.78										
		Additional DS1Loop in DS3 Interoffice Transport Combination - Zone 1		1	UNC1X	USLXX	\$107.05										
		Additional DS1Loop in DS3 Interoffice Transport Combination - Zone 2		2	UNC1X	USLXX	\$212.71										
		Additional DS1Loop in DS3 Interoffice Transport Combination - Zone 3		3	UNC1X	USLXX	\$251.44										
		Additional DS1Loop in DS3 Interoffice Transport Combination - Zone 4		4	UNC1X	USLXX	\$566.44										
		DS3 Interface Unit (DS1 COCI) combination per month			UNC1X	UC1D1	\$15.78										
		Nonrecurring Currently Combined Network Elements Switch -As-Is Charge			UNC3X	UNCCC		\$11.17	\$11.17	\$14.29	\$14.29	\$3.50	\$31.26	\$31.26	\$3.91	\$3.91	
2-WIRE VOICE GRADE EXTENDED LOOP/ 2 WIRE VOICE GRADE INTEROFFICE TRANSPORT (EEL)																	

BELLSOUTH / METROMEDIA FIBER NETWORK SERVICES RATES
Unbundled Network Elements
MISSISSIPPI

CATEGORY	NOTES	UNBUNDLED NETWORK ELEMENT	Interim	Zone	BCS	USOC	RATES				OSS RATES						
							Rec	Nonrecurring		Disconnect	Svc Order Submitted Elec per LSR	Svc Order Submitted Manually per LSR	Incremental Charge - Manual Svc Order vs. Electronic-1st	Incremental Charge - Manual Svc Order vs. Electronic-Add'l	Incremental Charge - Manual Svc Order vs. Electronic-Disc 1st	Incremental Charge - Manual Svc Order vs. Electronic-Disc Add'l	
								First	Add'l								First
		2-WireVG Loop used with 2-wire VG Interoffice Transport Combination - Zone 1		1	UNCVX	UEAL2	\$21.71										
		2-WireVG Loop used with 2-wire VG Interoffice Transport Combination - Zone 2		2	UNCVX	UEAL2	\$30.19										
		2-WireVG Loop used with 2-wire VG Interoffice Transport Combination - Zone 3		3	UNCVX	UEAL2	\$42.73										
		A.1.2 2-WireVG Loop used with 2-wire VG Interoffice Transport Combination - Zone 4		4	NA	NA	\$44.77										
		Interoffice Transport - Dedicated - 2-wire VG combination - Per Mile Per Month			UNCVX	1L5XX	\$0.0112										
		Interoffice Transport - Dedicated - 2- Wire Voice Grade combination - Facility Termination per month			UNCVX	U1TV2	\$24.75										
		Nonrecurring Currently Combined Network Elements Switch -As-Is Charge			UNCVX	UNCCC		\$11.17	\$11.17	\$14.29	\$14.29	\$3.50		\$31.26	\$31.26	\$3.91	\$3.91
		4-WIRE VOICE GRADE EXTENDED LOOP/ 4 WIRE VOICE GRADE INTEROFFICE TRANSPORT (EEL)															
		4-WireVG Loop used with 4-wire VG Interoffice Transport Combination - Zone 1		1	UNCVX	UEAL4	\$37.54										
		4-WireVG Loop used with 4-wire VG Interoffice Transport Combination - Zone 2		2	UNCVX	UEAL4	\$50.2										
		4-WireVG Loop used with 4-wire VG Interoffice Transport Combination - Zone 3		3	UNCVX	UEAL4	\$60.55										
		4-WireVG Loop used with 4-wire VG Interoffice Transport Combination - Zone 4		4	NA	NA	\$63.00										
		Interoffice Transport - Dedicated - 4-wire VG combination - Per Mile Per Month			UNCVX	1L5XX	\$0.0112										
		Interoffice Transport - Dedicated - 4- Wire Voice Grade combination - Facility Termination per month			UNCVX	U1TV4	\$24.75										
		Nonrecurring Currently Combined Network Elements Switch -As-Is Charge			UNCVX	UNCCC		\$11.17	\$11.17	\$14.29	\$14.29	\$3.50		\$31.26	\$31.26	\$3.91	\$3.91
		DS3 DIGITAL EXTENDED LOOP WITH DEDICATED DS3 INTEROFFICE TRANSPORT (EEL)															
		High Capacity Unbundled Local Loop - DS3 combination - Per Mile per month			UNC3X	1L5ND	\$14.16										
		High Capacity Unbundled Local Loop - DS3 combination - Facility Termination per month			UNC3X	UE3PX	\$396.3										
		Interoffice Transport - Dedicated - DS3 - Per Mile per month			UNC3X	1L5XX	\$5.43										
		Interoffice Transport - Dedicated - DS3 combination - Facility Termination per month			UNC3X	U1TF3	\$705.42										
		Nonrecurring Currently Combined Network Elements Switch -As-Is Charge			UNC3X	UNCCC		\$11.17	\$11.17	\$14.29	\$14.29	\$3.50		\$31.26	\$31.26	\$3.91	\$3.91
		STS1 DIGITAL EXTENDED LOOP WITH DEDICATED STS1 INTEROFFICE TRANSPORT (EEL)															
		High Capacity Unbundled Local Loop - STS1 combination - Per Mile per month			UNCSX	1L5ND	\$14.16										
		High Capacity Unbundled Local Loop - STS1 combination - Facility Termination per month			UNCSX	UDLS1	\$411.34										
		Interoffice Transport - Dedicated - STS1 combination - Per Mile per month			UNCSX	1L5XX	\$5.43										
		Interoffice Transport - Dedicated - STS1 combination - Facility Termination per month			UNCSX	U1TFS	\$707.97										
		Nonrecurring Currently Combined Network Elements Switch -As-Is Charge			UNCSX	UNCCC		\$11.17	\$11.17	\$14.29	\$14.29	\$3.50		\$31.26	\$31.26	\$3.91	\$3.91
		2-WIRE ISDN EXTENDED LOOP WITH DS1 INTEROFFICE TRANSPORT (EEL)															
		First 2-Wire ISDN Loop/DS1 Interoffice Combination Transport - Zone 1		1	UNCNX	U1L2X	\$32.48										
		First 2-Wire ISDN Loop/DS1 Interoffice Combination Transport - Zone 2		2	UNCNX	U1L2X	\$42.08										
		First 2-Wire ISDN Loop/DS1 Interoffice Combination Transport - Zone 3		3	UNCNX	U1L2X	\$55.26										

BELLSOUTH / METROMEDIA FIBER NETWORK SERVICES RATES
 Unbundled Network Elements
 MISSISSIPPI

CATEGORY	NOTES	UNBUNDLED NETWORK ELEMENT	Interim	Zone	BCS	USOC	RATES				OSS RATES						
							Rec	Nonrecurring		Disconnect	Svc Order Submitted Elec per LSR	Svc Order Submitted Manually per LSR	Incremental Charge - Manual Svc Order vs. Electronic-1st	Incremental Charge - Manual Svc Order vs. Electronic-Add'l	Incremental Charge - Manual Svc Order vs. Electronic-Disc 1st	Incremental Charge - Manual Svc Order vs. Electronic-Disc Add'l	
								First	Add'l								First
		First 2-Wire ISDN Loop/DS1 Interoffice Combination Transport - Zone 4 Interoffice Transport - Dedicated - DS1 combination - Per Mile Interoffice Transport - Dedicated - DS1 combination - Facility Termination per month		4	NA UNC1X	NA 1L5XX	\$71.05 \$0.2293										
		Channelization - Channel System DS1 to DS0 combination - per month 2-wire ISDN COCI (BRITE) - DS1 to DS0 Channel System combination - per month			UNC1X	MQ1	\$125.29										
		Additional 2-wire ISDN Loop in same DS1 Interoffice Transport Combination - Zone 1		1	UNCNX	U1L2X	\$32.48										
		Additional 2-wire ISDN Loop in same DS1 Interoffice Transport Combination - Zone 2		2	UNCNX	U1L2X	\$42.08										
		Additional 2-wire ISDN Loop in same DS1 Interoffice Transport Combination - Zone 3		3	UNCNX	U1L2X	\$55.26										
		Additional 2-wire ISDN Loop in same DS1 Interoffice Transport Combination - Zone 4		4	NA	NA	\$71.05										
		2-wire ISDN COCI (BRITE) - DS1 to DS0 Channel System combination per month Nonrecurring Currently Combined Network Elements Switch -As-Is Charge			UNCNX UNC1X	UC1CA UNCCC	\$3.19	\$11.17	\$11.17	\$14.29	\$14.29	\$3.50		\$31.26	\$31.26	\$3.91	\$3.91
		4-WIRE DS1 DIGITAL EXTENDED LOOP WITH DEDICATED STS-1 INTEROFFICE TRANSPORT (EEL)															
		First DS1 Loop in STS1 Interoffice Transport Combination - Zone 1		1	UNC1X	USLXX	\$107.05										
		First DS1 Loop in STS1 Interoffice Transport Combination - Zone 2		2	UNC1X	USLXX	\$212.71										
		First DS1 Loop in STS1 Interoffice Transport Combination - Zone 3		3	UNC1X	USLXX	\$251.14										
		First DS1 Loop in STS1 Interoffice Transport Combination - Zone 4		4	NA	NA	\$566.44										
		Interoffice Transport - Dedicated - STS1 combination - Per Mile Per Month Interoffice Transport - Dedicated - STS1 combination - Facility Termination			UNCSX	1L5XX	\$5.43										
		STS1 to DS1 Channel System combination per month DS3 Interface Unit (DS1 COCI) combination per month			UNCSX UNCSX UNC1X	U1TFS MQ3 UC1D1	\$707.97 \$207.87 \$15.78										
		Additional DS1 Loop in STS1 Interoffice Transport Combination - Zone 1		1	UNC1X	USLXX	\$107.05										
		Additional DS1 Loop in STS1 Interoffice Transport Combination - Zone 2		2	UNC1X	USLXX	\$212.71										
		Additional DS1 Loop in STS1 Interoffice Transport Combination - Zone 3		3	UNC1X	USLXX	\$251.14										
		Additional DS1 Loop in STS1 Interoffice Transport Combination - Zone 4		4	NA UNC1X	NA UC1D1	\$566.44 \$15.78										
		Nonrecurring Currently Combined Network Elements Switch -As-Is Charge			UNCSX	UNCCC		\$11.17	\$11.17	\$14.29	\$14.29	\$3.50		\$31.26	\$31.26	\$3.91	\$3.91
		4-WIRE 56 KBPS DIGITAL EXTENDED LOOP WITH 56 KBPS INTEROFFICE TRANSPORT (EEL)															
		4-wire 56 kbps Loop/4-wire 56 kbps Interoffice Transport Combination - Zone 1		1	UNCDX	UDL56	\$37.14										
		4-wire 56 kbps Loop/4-wire 56 kbps Interoffice Transport Combination - Zone 2		2	UNCDX	UDL56	\$38.21										
		4-wire 56 kbps Loop/4-wire 56 kbps Interoffice Transport Combination - Zone 3		3	UNCDX	UDL56	\$46.57										
		4-wire 56 kbps Loop/4-wire 56 kbps Interoffice Transport Combination - Zone 4		4	NA	NA	\$44.77										
		Interoffice Transport - Dedicated - 4-wire 56 kbps combination - Per Mile Interoffice Transport - Dedicated - 4-wire 56 kbps combination - Facility Termination			UNCDX	1L5XX	\$0.0112										
		Nonrecurring Currently Combined Network Elements Switch -As-Is Charge			UNCDX	U1TD5	\$17.24										
					UNCDX	UNCCC		\$11.17	\$11.17	\$14.29	\$14.29	\$3.50		\$31.26	\$31.26	\$3.91	\$3.91
		4-WIRE 64 KBPS DIGITAL EXTENDED LOOP WITH 64 KBPS INTEROFFICE TRANSPORT (EEL)															

BELLSOUTH / METROMEDIA FIBER NETWORK SERVICES RATES
Unbundled Network Elements
MISSISSIPPI

CATEGORY	NOTES	UNBUNDLED NETWORK ELEMENT	Interim	Zone	BCS	USOC	RATES				OSS RATES							
							Rec	Nonrecurring		Disconnect	Svc Order Submitted Elec per LSR	Svc Order Submitted Manually per LSR	Incremental Charge - Manual Svc Order vs. Electronic-1st	Incremental Charge - Manual Svc Order vs. Electronic-Add'l	Incremental Charge - Manual Svc Order vs. Electronic-Disc 1st	Incremental Charge - Manual Svc Order vs. Electronic-Disc Add'l		
								First	Add'l								First	Add'l
								SOMEc	SOMAN								SOMAN	SOMAN
		4-wire 64 kbps Loop/4-wire 64 kbps Interoffice Transport Combination - Zone 1		1	UNCDX	UDL64	\$37.14											
		4-wire 64 kbps Loop/4-wire 64 kbps Interoffice Transport Combination - Zone 2		2	UNCDX	UDL64	\$38.21											
		4-wire 64 kbps Loop/4-wire 64 kbps Interoffice Transport Combination - Zone 3		3	UNCDX	UDL64	\$46.57											
		4-wire 64 kbps Loop/4-wire 64 kbps Interoffice Transport Combination - Zone 4		4	NA	NA	\$44.77											
		Interoffice Transport - Dedicated - 4-wire 64 kbps combination - Per Mile			UNCDX	1L5XX	\$0.0112											
		Interoffice Transport - Dedicated - 4-wire 64 kbps combination - Facility Termination			UNCDX	U1TD6	\$17.24											
		Nonrecurring Currently Combined Network Elements Switch -As-Is Charge			UNCDX	UNCCC		\$11.17	\$11.17	\$14.29	\$14.29	\$3.50		\$31.26	\$31.26	\$3.91	\$3.91	
ADDITIONAL NETWORK ELEMENTS																		
	When used as a part of a currently combined facility, the non-recurring charges do not apply, but a Switch As Is charge does apply.																	
	When used as ordinarily combined network elements in Georgia, the non-recurring charges apply and the Switch As Is Charge does not.																	
	Nonrecurring Currently Combined Network Elements "Switch As Is" Charge (One applies to each combination)																	
		2/4-Wire VG Interoffice Channel used in a COMBINATION - "Switch As Is" Conversion Charge			UNCVX	UNCCC		\$11.17	\$11.17	\$14.29	\$14.29	\$3.50		\$31.26	\$31.26	\$3.91	\$3.91	
		56/64 kbps Interoffice Channel used in a COMBINATION - "Switch As Is" Conversion Charge			UNCDX	UNCCC		\$11.17	\$11.17	\$14.29	\$14.29	\$3.50		\$31.26	\$31.26	\$3.91	\$3.91	
		DS1 Interoffice Channel used in a COMBINATION - "Switch As Is" Conversion Charge			UNC1X	UNCCC		\$11.17	\$11.17	\$14.29	\$14.29	\$3.50		\$31.26	\$31.26	\$3.91	\$3.91	
		DS3 Interoffice Channel used in a COMBINATION - "Switch As Is" Conversion Charge			UNC3X	UNCCC		\$11.17	\$11.17	\$14.29	\$14.29	\$3.50		\$31.26	\$31.26	\$3.91	\$3.91	
		STS1 Interoffice or Local Loop used in a COMBINATION - "Switch As Is" Conversion Charge			UNCSX	UNCCC		\$11.17	\$11.17	\$14.29	\$14.29	\$3.50		\$31.26	\$31.26	\$3.91	\$3.91	
	NOTE: Local Channel - Dedicated Transport - minimum billing period - Below DS3=one month, DS3 and above=four months																	
		Local Channel - Dedicated - 2-Wire Voice Grade per month			UNCXV	ULDV2	\$16.39											
		Local Channel - Dedicated - 4-Wire Voice Grade per month			UNCXV	ULDV4	\$17.59											
		Local Channel - Dedicated - DS1 per month Zone 1		1	UNC1X	ULDF1	\$41.4											
		Local Channel - Dedicated -DS1 Per Month Zone 2		2	UNC1X	ULDF1	\$47.27											
		Local Channel - Dedicated - DS1- Per Month Zone 3		3	UNC1X	ULDF1	\$553.26											
		Local Channel - Dedicated - DS3 - Per Mile per month			UNC3X	1L5NC	\$11.02											
		Local Channel - Dedicated - DS3 - Facility Termination per month			UNC3X	ULDF3	\$455.69											
		Local Channel - Dedicated - STS-1 - Per Mile per month			UNCSX	1L5NC	\$11.02											
		Local Channel - Dedicated - STS-1 - Facility Termination per month			UNCSX	ULDFS	\$449.26											

BELLSOUTH / METROMEDIA FIBER NETWORK SERVICES RATES
Unbundled Network Elements
NORTH CAROLINA

CATEGORY	NOTES	UNBUNDLED NETWORK ELEMENT	Interim	Zone	BCS	USOC	RATES					OSS RATES					
							Rec	First	Add'l	First	Add'l	Svc Order Submitted Elec per LSR	Svc Order Submitted Manually per LSR	Incremental Charge - Manual Svc Order vs. Electronic-1st	Incremental Charge - Manual Svc Order vs. Electronic-Add'l	Incremental Charge - Manual Svc Order vs. Electronic-Disc 1st	Incremental Charge - Manual Svc Order vs. Electronic-Disc Add'l
SOMECE	SOMAN	SOMAN	SOMAN	SOMAN	SOMAN	SOMAN											
Geographically Deaveraged UNE Zones and applicable rates have been established for certain services, as shown in this Agreement. Where Geographically Deaveraged UNE Zones and applicable rates are established, Statewide rates are obsolete. Further, BellSouth is in the process of enhancing its billing systems in order to accommodate this Geographically Deaveraged UNE Zone Rate Structure. Until these enhancements are accomplished, estimated to be mid 2001, the UNE Zone 1 rate will be billed for all services residing in Zones 1, 2, 3 or 4, i.e., Rates for services residing in UNE Zones 2, 3 and UNE Zone 4, where applicable, will not be billed. Once billing enhancements are complete, all applicable UNE Zone rates reflected in this Agreement will be billed. Reference Internet Website http://www.interconnection.bellsouth.com/become_clec/docs/interconnection/deavuzns.pdf to view Geographically Deaveraged UNE Zone Designations by Central Office.																	
UNBUNDLED EXCHANGE ACCESS LOOP																	
2-WIRE ANALOG VOICE GRADE LOOP																	
		2-Wire Analog Voice Grade Loop - Service Level 1- Statewide	sw		UEANL	UEAL2	\$15.88	\$57.99	\$42.37			\$3.50		\$26.94	\$12.76		
		Engineering Information Document (EI)			UEANL			\$28.74	\$28.74								
		Manual Order Coordination for UVL-SL1s (per loop)*			UEANL	UEAMC		\$61.38	\$61.38								
		Order Coordination for Specified Conversion Time for UVL-SL1 (per LSR) *			UEANL	OCOSL		\$45.34	\$45.34								
		2-Wire Analog Voice Grade Loop - Service Level 2 w/Loop or Ground Start Signaling - Statewide	sw		UEA	UEAL2	\$19.50	\$142.97	\$106.56			\$3.50		\$26.94	\$12.76		
		Order Coordination for Specified Conversion Time (per LSR)			UEA	OCOSL		\$45.34									
		2-Wire Analog Voice Grade Loop - Service Level 2 w/Reverse Battery Signaling-Statewide	sw		UEA	UEAR2	\$19.50	\$142.97	\$106.56			\$3.50		\$26.94	\$12.76		
		Order Coordination for Specified Conversion Time (per LSR)			UEA	OCOSL		\$45.34									
4-WIRE ANALOG VOICE GRADE LOOP																	
		4-Wire Analog Voice Grade Loop - Statewide	sw		UEA	UEAL4	\$27.49	\$288.47	\$237.45			\$3.50		\$26.94	\$12.76		
		Order Coordination for Specified Conversion Time (per LSR)			UEA	OCOSL		\$45.34									
2-WIRE ISDN DIGITAL GRADE LOOP																	
		2-Wire ISDN Digital Grade Loop - Statewide	sw		UDN	U1L2X	\$24.98	\$325.91	\$251.31			\$3.50		\$26.94	\$12.76		
		Order Coordination For Specified Conversion Time (per LSR)			UDN	OCOSL		\$45.34									
2-WIRE Universal Digital Channel (UDC) COMPATIBLE LOOP																	
		2-Wire Universal Digital Channel (UDC) Compatible Loop - Statewide	sw		UDC	UDC2X	\$24.98	\$325.91	\$251.31			\$3.50		\$26.94	\$12.76		
2-WIRE ASYMMETRICAL DIGITAL SUBSCRIBER LINE (ADSL) COMPATIBLE LOOP																	
		2-Wire Asymmetrical Digital Subscriber Line (ADSL) Compatible Loop															
		2 Wire Unbundled ADSL Loop including manual service inquiry & facility reservation - Statewide	sw		UAL	UAL2X	\$14.6	\$504.90	\$456.17			\$3.50		\$26.94	\$12.76		
		Order Coordination for Specified Conversion Time (per LSR)			UAL	OCOSL		\$45.34									
		2 Wire Unbundled ADSL Loop without manual service inquiry and facility reservation - Statewide	sw		UAL	UAL2W	\$14.60	\$203.85	\$128.42			\$3.50	\$19.99				
		Order Coordination for Specified Conversion Time (per LSR)			UAL	OCOSL		\$45.34									
2-WIRE HIGH BIT RATE DIGITAL SUBSCRIBER LINE (HDSL) COMPATIBLE LOOP																	
		2-Wire High Bit Rate Digital Subscriber Line (HDSL) Compatible Loop															
		2 Wire Unbundled HDSL Loop including manual service inquiry and facility reservation - Statewide	sw		UHL	UHL2X	\$11.98	\$504.90	\$456.17			\$3.50		\$26.94	\$12.76		
		Order Coordination for Specified Conversion Time			UHL	OCOSL		\$45.34				\$3.50					
		2 Wire Unbundled HDSL Loop without manual service inquiry and facility reservation - Statewide	sw		UHL	UHL2W	\$11.98	\$221.08	\$145.65			\$3.50	\$19.99				
		Order Coordination for Specified Conversion Time			UHL	OCOSL		\$45.34									
4-WIRE HIGH BIT RATE DIGITAL SUBSCRIBER LINE (HDSL) COMPATIBLE LOOP																	
		4 Wire Unbundled HDSL Loop including manual service inquiry and facility reservation - Statewide	sw		UHL	UHL4X	\$13.97	\$531.35	\$482.62			\$3.50		\$26.94	\$12.76		
		Order Coordination for Specified Conversion Time			UHL	OCOSL		\$45.34									
		4-Wire Unbundled HDSL Loop without manual service inquiry and facility reservation - Statewide	sw		UHL	UHL4W	\$13.97	\$277.99	\$202.56			\$3.50	\$19.9				

BELLSOUTH / METROMEDIA FIBER NETWORK SERVICES RATES
Unbundled Network Elements
NORTH CAROLINA

CATEGORY	NOTES	UNBUNDLED NETWORK ELEMENT	Interim	Zone	BCS	USOC	RATES				OSS RATES						
							Rec	First	Add'l	First	Add'l	Svc Order Submitted Elec per LSR	Svc Order Submitted Manually per LSR	Incremental Charge - Manual Svc Order vs. Electronic-1st	Incremental Charge - Manual Svc Order vs. Electronic-Add'l	Incremental Charge - Manual Svc Order vs. Electronic-Disc 1st	Incremental Charge - Manual Svc Order vs. Electronic-Disc Add'l
SOMEc	SOMAN	SOMAN	SOMAN	SOMAN	SOMAN	SOMAN											
		Order Coordination for Specified Conversion Time			UHL	OCOSL		\$45.34									
		4-WIRE DS1 DIGITAL LOOP															
		4-Wire DS1 Digital Loop - Statewide		sw	USL	USLXX	\$62.78	\$714.84	\$421.47			\$3.50		\$42.19	\$12.76		
		Order Coordination for Specified Conversion Time			USL	OCOSL		\$48.31									
		4-WIRE 19.2, 56 OR 64 KBPS DIGITAL GRADE LOOP															
		4 Wire Unbundled Digital 19.2 Kbps		sw	UDL	UDL19	\$32.67	\$489.04	\$337.51			\$3.50	\$19.99				
		4 Wire Unbundled Digital Loop 56 Kbps		sw	UDL	UDL56	\$32.67	\$489.04	\$337.51			\$3.50		\$26.94	\$12.76		
		Order Coordination for Specified Conversion Time			UDL	OCOSL		\$45.34									
		4 Wire Unbundled Digital Loop 64 Kbps - Statewide		sw	UDL	UDL64	\$32.67	\$489.04	\$337.51			\$3.50		\$26.94	\$12.76		
		Order Coordination for Specified Conversion Time			UDL	OCOSL		\$45.34									
		2-WIRE Unbundled COPPER LOOP															
		2-Wire Unbundled Copper Loop/Short including manual service inquiry & facility reservation - Zone 1		1	UCL	UCLPB	\$13.4	\$281.95	\$162.85			\$3.50	\$19.99				
		2-Wire Unbundled Copper Loop/Short including manual service inquiry & facility reservation - Zone 2		2	UCL	UCLPB	\$21.76	\$281.95	\$162.85			\$3.50	\$19.99				
		2 Wire Unbundled Copper Loop/Short including manual service inquiry & facility reservation - Zone 3		3	UCL	UCLPB	\$25.01	\$281.95	\$162.85			\$3.50	\$19.99				
		Order Coordination for Unbundled Copper Loops (per loop)			UCL	UCLMC		\$61.38	\$61.38								
		2-Wire Unbundled Copper Loop/Short without manual service inquiry and facility reservation - Zone 1		1	UCL	UCLPW	\$13.4	\$250.17	\$174.74			\$3.50	\$19.99				
		2-Wire Unbundled Copper Loop/Short without manual service inquiry and facility reservation - Zone 2		2	UCL	UCLPW	\$21.76	\$250.17	\$174.74			\$3.50	\$19.99				
		2-Wire Unbundled Copper Loop/Short without manual service inquiry and facility reservation - Zone 3		3	UCL	UCLPW	\$25.01	\$250.17	\$174.74			\$3.50	\$19.99				
		Order Coordination for Unbundled Copper Loops (per loop)			UCL	UCLMC		\$61.38	\$61.38								
		2-Wire Unbundled Copper Loop/Long - includes manual svc. inquiry and facility reservation - Zone 1		1	UCL	UCL2L	\$37.79	\$268.96	\$149.86			\$3.50	\$19.99				
		2-Wire Unbundled Copper Loop/Long - includes manual svc. inquiry and facility reservation - Zone 2		2	UCL	UCL2L	\$63.16	\$268.96	\$149.86			\$3.50	\$19.99				
		2-Wire Unbundled Copper Loop/Long - includes manual svc. inquiry and facility reservation - Zone 3		3	UCL	UCL2L	\$73.02	\$268.96	\$149.86			\$3.50	\$19.99				
		Order Coordination for Unbundled Copper Loops (per loop)			UCL	UCLMC		\$61.38	\$61.38								
		2-Wire Unbundled Copper Loop/Long - without manual service inquiry and facility reservation - Zone 1		1	UCL	UCL2W	\$37.79	\$189.000	\$113.57			\$3.50	\$19.99				
		2-Wire Unbundled Copper Loop/Long - without manual service inquiry and facility reservation - Zone 2		2	UCL	UCL2W	\$63.16	\$189.000	\$113.57			\$3.50	\$19.99				
		2-Wire Unbundled Copper Loop/Long - without manual service inquiry and facility reservation - Zone 3		3	UCL	UCL2W	\$73.02	\$189.000	\$113.57			\$3.50	\$19.99				
		Order Coordination for Unbundled Copper Loops (per loop)			UCL	UCLMC		\$61.38	\$61.38								
		2-Wire Unbundled Copper Loop Non-Designed - SW		sw	UEQ	UEQ2X	\$15.88	\$57.99	\$42.37			\$3.50		\$26.94			
		Order Coordination 2 Wire Unbundled Copper Loop - Non-Designed (per loop)			UEQ	USBMC		\$61.38	\$61.38								
		Engineering Information Document			UEQ			\$28.74	\$28.74								
		Loop Testing - Basic 1st Half Hour			UEQ	URET1		\$78.92	\$78.92								
		Loop Testing - Basic Additional Half Hour			UEQ	URETA		\$23.33	\$23.33								
		4-WIRE COPPER LOOP															
		4-Wire Copper Loop/Short - including manual service inquiry and facility reservation - Zone 1		1	UCL	UCL4S	\$17.63	\$330.13	\$211.02			\$3.50	\$19.99				
		4-Wire Copper Loop/Short - including manual service inquiry and facility reservation - Zone 2		2	UCL	UCL4S	\$28.89	\$330.13	\$211.02			\$3.50	\$19.99				
		4-Wire Copper Loop/Short - including manual service inquiry and facility reservation - Zone 3		3	UCL	UCL4S	\$33.28	\$330.13	\$211.02			\$3.50	\$19.99				
		Order Coordination for Unbundled Copper Loops (per loop)			UCL	UCLMC		\$61.38	\$61.38								
		4-Wire Copper Loop/Short - without manual service inquiry and facility reservation - Zone 1		1	UCL	UCL4W	\$17.63	\$250.17	\$174.74			\$3.50	\$19.99				

BELLSOUTH / METROMEDIA FIBER NETWORK SERVICES RATES
Unbundled Network Elements
NORTH CAROLINA

CATEGORY	NOTES	UNBUNDLED NETWORK ELEMENT	Interim	Zone	BCS	USOC	RATES					OSS RATES					
							Rec	First	Add'l	First	Add'l	Svc Order Submitted Elec per LSR	Svc Order Submitted Manually per LSR	Incremental Charge - Manual Svc Order vs. Electronic-1st	Incremental Charge - Manual Svc Order vs. Electronic-Add'l	Incremental Charge - Manual Svc Order vs. Electronic-Disc 1st	Incremental Charge - Manual Svc Order vs. Electronic-Disc Add'l
SOMEc	SOMAN	SOMAN	SOMAN	SOMAN	SOMAN	SOMAN											
		4-Wire Copper Loop/Short - without manual service inquiry and facility reservation - Zone 2		2	UCL	UCL4W	\$28.89	\$250.17	\$174.74			\$3.50	\$19.99				
		4-Wire Copper Loop/Short - without manual service inquiry and facility reservation - Zone 3		3	UCL	UCL4W	\$33.28	\$250.17	\$174.74			\$3.50	\$19.99				
		Order Coordination for Unbundled Copper Loops (per loop)			UCL	UCLMC		\$61.38	\$61.38								
		4-Wire Unbundled Copper Loop/Long - includes manual svc. inquiry and facility reservation - Zone 1		1	UCL	UCL4L	\$53.68	\$317.14	\$198.03			\$3.50	\$19.99				
		4-Wire Unbundled Copper Loop/Long - includes manual svc. inquiry and facility reservation - Zone 2		2	UCL	UCL4L	\$90.07	\$317.14	\$198.03			\$3.50	\$19.99				
		4-Wire Unbundled Copper Loop/Long - includes manual svc. inquiry and facility reservation - Zone 3		3	UCL	UCL4L	\$104.23	\$317.14	\$198.03			\$3.50	\$19.99				
		Order Coordination for Unbundled Copper Loops (per loop)			UCL	UCLMC		\$61.38	\$61.38								
		4-Wire Unbundled Copper Loop/Long - without manual svc. inquiry and facility reservation - Zone 1		1	UCL	UCL4O	\$53.68	\$237.18	\$161.75			\$3.50	\$19.99				
		4-Wire Unbundled Copper Loop/Long - without manual svc. inquiry and facility reservation - Zone 2		2	UCL	UCL4O	\$90.07	\$237.18	\$161.75			\$3.50	\$19.99				
		4-Wire Unbundled Copper Loop/Long - without manual svc. inquiry and facility reservation - Zone 3		3	UCL	UCL4O	\$104.23	\$237.18	\$161.75			\$3.50	\$19.99				
		Order Coordination for Unbundled Copper Loops (per loop)			UCL	UCLMC		\$61.38	\$61.38								
LOOP MODIFICATION																	
		Unbundled Loop Modification, Removal of Load Coils - 2 Wire pair less than or equal to 18k ft			UAL, UHL, UCL, UEQ	ULM2L		\$64.85	\$64.85								
		Unbundled Loop Modification, Removal of Load Coils - 2 wire greater than 18k ft			UCL	ULM2G		\$339.84	\$339.84								
		Unbundled Loop Modification Removal of Load Coils - 4 Wire less than or equal to 18K ft			UHL, UCL	ULM4L		\$64.85	\$64.85								
		Unbundled Loop Modification Removal of Load Coils - 4 Wire pair greater than 18k ft			UCL	ULM4G		\$339.84	\$339.84								
		Unbundled Loop Modification Removal of Bridged Tap Removal, per unbundled loop			UAL, UHL, UCL, UEQ, UEF	ULMBT		\$64.9	\$64.9								
SUB-LOOPS																	
		Sub-Loop Distribution															
		Sub-Loop - Per Cross Box Location - CLEC Feeder Facility Set-Up	I		UEANL	USBSA		\$498.09	\$498.09			\$3.50		\$26.94	\$12.76		
		Sub-Loop - Per Cross Box Location - Per 25 Pair Panel Set-Up	I		UEANL	USBSB		\$45.04	\$45.04			\$3.50		\$26.94	\$12.76		
		Sub-Loop - Per Building Equipment Room - CLEC Feeder Facility Set-Up	I		UEANL	USBSC		\$313.01	\$313.01			\$3.50		\$26.94	\$12.76		
		Sub-Loop - Per Building Equipment Room - Per 25 Pair Panel Set-Up	I		UEANL	USBSD		\$108.06	\$108.06			\$3.50		\$26.94	\$12.76		
		Sub-Loop Distribution Per 2-Wire Analog Voice Grade Loop - Zone 1	I	1	UEANL	USBN2	\$7.99	\$126.03	\$54.54	\$71.13	\$10.16	\$3.50		\$26.94	\$12.76	\$15.12	\$15.12
		Sub-Loop Distribution Per 2-Wire Analog Voice Grade Loop - Zone 2	I	2	UEANL	USBN2	\$12.63	\$126.03	\$54.54	\$71.13	\$10.16	\$3.50		\$26.94	\$12.76	\$15.12	\$15.12
		Sub-Loop Distribution Per 2-Wire Analog Voice Grade Loop - Zone 3	I	3	UEANL	USBN2	\$14.43	\$126.03	\$54.54	\$71.13	\$10.16	\$3.50		\$26.94	\$12.76	\$15.12	\$15.12
		Order Coordination for Unbundled Sub-Loops, per sub-loop pair			UEANL	USBMC		\$45.34	\$45.34								
		Sub-Loop Distribution Per 4-Wire Analog Voice Grade Loop - Zone 1	I	1	UEANL	USBN4	\$9.23	\$156.52	\$79.66	\$78.56	\$13.53	\$3.50		\$26.94	\$12.76		
		Sub-Loop Distribution Per 4-Wire Analog Voice Grade Loop - Zone 2	I	2	UEANL	USBN4	\$14.63	\$156.52	\$79.66	\$78.56	\$13.53	\$3.50		\$26.94	\$12.76		
		Sub-Loop Distribution Per 4-Wire Analog Voice Grade Loop - Zone 3	I	3	UEANL	USBN4	\$16.73	\$156.52	\$79.66	\$78.56	\$13.53	\$3.50		\$26.94	\$12.76		
		Order Coordination for Unbundled Sub-Loops, per sub-loop pair			UEANL	USBMC		\$45.34	\$45.34								
		Sub-Loop 2-Wire IntraBuilding Network Cable (INC)	I		UEANL	USBR2	\$3.50	\$114.05	\$37.20	\$76.58	\$10.81	\$3.50		\$26.94	\$12.76		
		Order Coordination for Unbundled Sub-Loops, per sub-loop pair			UEANL	USBMC		\$45.34	\$45.34								
		Sub-Loop 4-Wire IntraBuilding Network Cable (INC)	I		UEANL	USBR4	\$3.75	\$127.67	\$50.82	\$78.71	\$10.69	\$3.50		\$26.94	\$12.76		
		Order Coordination for Unbundled Sub-Loops, per sub-loop pair			UEANL	USBMC		\$45.34	\$45.34								
		2 Wire Copper Unbundled Sub-Loop Distribution - Zone 1	I	1	UEF	UCS2X	\$7.33	\$137.10	\$60.24	\$76.58	\$10.81	\$3.50		\$26.94	\$12.76		
		2 Wire Copper Unbundled Sub-Loop Distribution - Zone 2	I	2	UEF	UCS2X	\$10.95	\$137.10	\$60.24	\$76.58	\$10.81	\$3.50		\$26.94	\$12.76		
		2 Wire Copper Unbundled Sub-Loop Distribution - Zone 3	I	3	UEF	UCS2X	\$12.36	\$137.10	\$60.24	\$76.58	\$10.81	\$3.50		\$26.94	\$12.76		
		Order Coordination for Unbundled Sub-Loops, per sub-loop pair			UEF	USBMC		\$45.34	\$45.34								
		4 Wire Copper Unbundled Sub-Loop Distribution - Zone 1	I	1	UEF	UCS4X	\$7.14	\$162.24	\$85.38	\$78.56	\$13.53	\$3.50		\$26.94	\$12.76		
		4 Wire Copper Unbundled Sub-Loop Distribution - Zone 2	I	2	UEF	UCS4X	\$11.09	\$162.24	\$85.38	\$78.56	\$13.53	\$3.50		\$26.94	\$12.76		
		4 Wire Copper Unbundled Sub-Loop Distribution - Zone 3	I	3	UEF	UCS4X	\$12.63	\$162.24	\$85.38	\$78.56	\$13.53	\$3.50		\$26.94	\$12.76		
		Order Coordination for Unbundled Sub-Loops, per sub-loop pair			UEF	USBMC		\$45.34	\$45.34								
		Sub-Loop Feeder															

BELLSOUTH / METROMEDIA FIBER NETWORK SERVICES RATES
Unbundled Network Elements
NORTH CAROLINA

CATEGORY	NOTES	UNBUNDLED NETWORK ELEMENT	Interim	Zone	BCS	USOC	RATES					OSS RATES					
							Rec	First	Add'l	First	Add'l	Svc Order Submitted Elec per LSR	Svc Order Submitted Manually per LSR	Incremental Charge - Manual Svc Order vs. Electronic-1st	Incremental Charge - Manual Svc Order vs. Electronic-Add'l	Incremental Charge - Manual Svc Order vs. Electronic-Disc 1st	Incremental Charge - Manual Svc Order vs. Electronic-Disc Add'l
SOMEc	SOMAN	SOMAN	SOMAN	SOMAN	SOMAN												
		USL-Feeder, DS0 Set-up per Cross Box location - CLEC Distribution Facility set-up			UEA, UDN,UCL,UDL,UDC	USBFW		498.09									
		USL Feeder - DS0 Set-up per Cross Box location - per 25 pair set-up			UEA, UDN,UCL,UDL,UDC	USBFX		\$45.04	\$45.04								
		USL Feeder DS1 Set-up at DSX location, per DS1 termination			USL	USBFX		\$523.51	\$11.31								
		Unbundled Sub-Loop Feeder Loop, 2 Wire Ground Start, Voice Grade - Zone 1		1	UEA	USBFA	\$11.43	\$122.52	\$46.61	\$149.46	\$59.37	\$3.50	\$19.99				
		Unbundled Sub-Loop Feeder Loop, 2 Wire Ground-Start, Voice Grade - Zone 2		2	UEA	USBFA	\$18.35	\$122.52	\$46.61	\$149.46	\$59.37	\$3.50	\$19.99				
		Unbundled Sub-Loop Feeder Loop, Per 2 Wire Ground-Start, Voice Grade - Zone 3		3	UEA	USBFA	\$21.04	\$122.52	\$46.61	\$149.46	\$59.37	\$3.50	\$19.99				
		Order Coordination for Specified Conversion Time, per LSR			UEA	OCOSL		\$45.34									
		Unbundle Sub-Loop Feeder Loop, 2 Wire Loop-Start, Voice Grade - Zone 1		1	UEA	USBFB	\$11.43	\$122.52	\$46.61	\$149.46	\$59.37	\$3.50	\$19.99				
		Unbundled Sub-Loop Feeder Loop, 2 Wire Loop-Start, Voice Grade - Zone 2		2	UEA	USBFB	\$18.35	\$122.52	\$46.61	\$149.46	\$59.37	\$3.50	\$19.99				
		Unbundled Sub-Loop Feeder Loop, 2 Wire Start Loop, Voice Grade - Zone 3		3	UEA	USBFB	\$21.04	\$122.52	\$46.61	\$149.46	\$59.37	\$3.50	\$19.99				
		Order Coordination for Specified Time Conversion, per LSR			UEA	OCOSL		\$45.34									
		Unbundled Sub-Loop Feeder Loop, 2 Wire Reverse Battery, Voice Grade - Zone 1		1	UEA	USBFC	\$11.43	\$122.52	\$46.61	\$149.46	\$59.37	\$3.50	\$19.99				
		Unbundled Sub-Loop Feeder Loop, 2 Wire Reverse Battery, Voice Grade - Zone 2		2	UEA	USBFC	\$18.35	\$122.52	\$46.61	\$149.46	\$59.37	\$3.50	\$19.99				
		Unbundled Sub-Loop Feeder Loop, 2 Wire Analog Reverse Battery, Voice Grade - Zone 3		3	UEA	USBFC	\$21.04	\$122.52	\$46.61	\$149.46	\$59.37	\$3.50	\$19.99				
		Order Coordination For Specified Conversion Time, per LSR			UEA	OCOSL		\$45.34									
		Unbundled Sub-Loop Feeder Loop, 4 Wire Ground-Start, Voice Grade - Zone 1		1	UEA	USBFD	\$21.91	\$226.36	\$144.28			\$3.50	\$19.99				
		Unbundled Sub-Loop Feeder Loop, 4 Wire Ground-Start, Voice Grade - Zone 2		2	UEA	USBFD	\$35.92	\$226.36	\$144.28			\$3.50	\$19.99				
		Unbundled Sub-Loop Feeder Loop, 4 Wire Ground Start, Voice Grade - Zone 3		3	UEA	USBFD	\$41.37	\$226.36	\$144.28			\$3.50	\$19.99				
		Order Coordination For Specified Conversion Time, Per LSR			UEA	OCOSL		\$45.34									
		Unbundled Sub-Loop Feeder Loop, 4 Wire Loop-Start, Voice Grade - Zone 1		1	UEA	USBFE	\$21.91	\$226.36	\$144.28			\$3.50	\$19.99				
		Unbundled Sub-Loop Feeder Loop, 4 Wire Loop-Start, Voice Grade - Zone 2		2	UEA	USBFE	\$35.92	\$226.36	\$144.28			\$3.50	\$19.99				
		Unbundled Sub-Loop Feeder Loop, 4 Wire Loop-Start, Voice Grade - Zone 3		3	UEA	USBFE	\$41.37	\$226.36	\$144.28			\$3.50	\$19.99				
		Order Coordination For Specified Conversion Time, Per LSR			UEA	OCOSL		\$45.34									
		Unbundled Sub-Loop Feeder Loop, 2 Wire ISDN BRI - Zone 1		1	UDN	USBFF	\$19.63	\$202.01	\$105.88			\$3.50	\$19.99				
		Unbundled Sub-Loop Feeder Loop, 2-Wire ISDN BRI - Zone 2		2	UDN	USBFF	\$31.61	\$202.01	\$105.88			\$3.50	\$19.99				
		Unbundled Sub-Loop Feeder Loop, 2-Wire ISDN BRI - Zone 3		3	UDN	USBFF	\$36.27	\$202.01	\$105.88			\$3.50	\$19.99				
		Order Coordination For Specified Conversion Time, Per LSR			UDN	OCOSL		\$45.34									
		Unbundled Sub-Loop Feeder, 2 Wire UDC (IDSL compatible)		1	UDC	USBFS	\$19.63	\$202.01	\$105.88			\$3.5	\$19.99				
		Unbundled Sub-Loop Feeder, 2 Wire UDC (IDSL compatible)		2	UDC	USBFS	\$31.61	\$202.01	\$105.88			\$3.5	\$19.99				
		Unbundled Sub-Loop Feeder, 2 Wire UDC (IDSL compatible)		3	UDC	USBFS	\$36.27	\$202.01	\$105.88			\$3.5	\$19.99				
		Unbundled Sub-Loop Feeder Loop, 4-Wire DS1 - Zone 1		1	USL	USBFG	\$39.69	\$393.01	\$153.37			\$3.50		\$42.19	\$12.76		
		Unbundled Sub-Loop Feeder, 4-Wire DS1 - Zone 2		2	USL	USBFG	\$67.36	\$393.01	\$153.37			\$3.50		\$42.19	\$12.76		
		Unbundled Sub-Loop Feeder Loop, 4-Wire DS1 - Zone 3		3	USL	USBFG	\$78.12	\$393.01	\$153.37			\$3.50		\$42.19	\$12.76		
		Order Coordination For Specified Conversion Time, Per LSR			USL	OCOSL		\$45.34									
		Unbundled Sub-Loop Feeder, 2-Wire Copper Loop - Zone 1		1	UCL	USBFH	\$10.66	\$172.89	\$90.81			\$3.50	\$19.99				
		Unbundled Sub-Loop Feeder Loop, 2-Wire Copper Loop - Zone 2		2	UCL	USBFH	\$16.44	\$172.89	\$90.81			\$3.50	\$19.99				
		Unbundled Sub-Loop Feeder Loop, 2-Wire Copper Loop - Zone 3		3	UCL	USBFH	\$18.69	\$172.89	\$90.81			\$3.50	\$19.99				
		Order Coordination For Specified Conversion Time, per LSR			UCL	OCOSL		\$45.34									
		Sub-Loop Feeder - Per 4-Wire Copper Loop - Zone 1		1	UCL	USBFJ	\$14.68	\$207.14	\$134.77			\$3.50	\$19.99				
		Sub-Loop Feeder - Per 4-Wire Copper Loop - Zone 2		2	UCL	USBFJ	\$23.74	\$207.14	\$134.77			\$3.50	\$19.99				
		Sub-Loop Feeder - Per 4-Wire Copper Loop - Zone 3		3	UCL	USBFJ	\$27.26	\$207.14	\$134.77			\$3.50	\$19.99				
		Order Coordination For Specified Conversion Time, per LSR			UCL	OCOSL		\$45.34									
		Sub-Loop Feeder - Per 4-Wire 19.2 Kbps Digital Grade Loop		1	UDL	USBFN	\$26.71	\$215.000	\$132.92			\$3.5	\$19.99				
		Sub-Loop Feeder - Per 4-Wire 19.2 Kbps Digital Grade Loop		2	UDL	USBFN	\$44.07	\$215.000	\$132.92			\$3.5	\$19.99				
		Sub-Loop Feeder - Per 4-Wire 19.2 Kbps Digital Grade Loop		3	UDL	USBFN	\$50.83	\$215.000	\$132.92			\$3.5	\$19.99				

BELLSOUTH / METROMEDIA FIBER NETWORK SERVICES RATES
Unbundled Network Elements
NORTH CAROLINA

CATEGORY	NOTES	UNBUNDLED NETWORK ELEMENT	Interim	Zone	BCS	USOC	RATES					OSS RATES									
							Rec	First	Add'l	First	Add'l	Svc Order Submitted Elec per LSR	Svc Order Submitted Manually per LSR	Incremental Charge - Manual Svc Order vs. Electronic-1st	Incremental Charge - Manual Svc Order vs. Electronic-Add'l	Incremental Charge - Manual Svc Order vs. Electronic-Disc 1st	Incremental Charge - Manual Svc Order vs. Electronic-Disc Add'l				
																		Nonrecurring		Nonrecurring	
																		Disconnect		Disconnect	
SOMEc	SOMAN	SOMAN	SOMAN	SOMAN	SOMAN																
		Sub-Loop Feeder - Per 4-Wire 56 Kbps Digital Grade Loop - Zone 1		1	UDL	USBFO	\$26.71	\$215.00	\$132.92			\$3.50	\$19.99								
		Sub-Loop Feeder - Per 4-Wire 56 Kbps Digital Grade Loop - Zone 2		2	UDL	USBFO	\$44.07	\$215.00	\$132.92			\$3.50	\$19.99								
		Sub-Loop Feeder - Per 4-Wire 56 Kbps Digital Grade Loop - Zone 3		3	UDL	USBFO	\$50.83	\$215.00	\$132.92			\$3.50	\$19.99								
		Order Coordination For Specified Time Conversion, per LSR			UDL	OCOSL		\$45.34													
		Sub-Loop Feeder - Per 4-Wire 64 Kbps Digital Grade Loop - Zone 1		1	UDL	USBFP	\$26.71	\$215.00	\$132.92			\$3.50	\$19.99								
		Sub-Loop Feeder - Per 4-Wire 64 Kbps Digital Grade Loop - Zone 2		2	UDL	USBFP	\$44.07	\$215.00	\$132.92			\$3.50	\$19.99								
		Sub-Loop Feeder - Per 4-Wire 64 Kbps Digital Grade Loop - Zone 3		3	UDL	USBFP	\$50.83	\$215.00	\$132.92			\$3.50	\$19.99								
		Order Coordination For Specified Conversion Time, per LSR			UDL	OCOSL		\$45.34													
		Unbundled Sub-Loop Modification																			
		Unbundled Sub-Loop Modification - 2-W Copper Dist Load Coil/Equip Removal per 2-W PR			UEF	ULM2X		\$353.95	\$12.20			\$3.50									
		Unbundled Sub-loop Modification - 4-W Copper Dist Load Coil/Equip Removal per 4-W PR			UEF	ULM4X		\$353.95	\$12.20			\$3.50									
		Unbundled Sub-loop Modification - 2-w/4-w Copper Dist Bridged Tap Removal, per PR unloaded			UEF	ULM4T		\$557.78	\$14.23			\$3.50									
		Unbundled Network Terminating Wire (UNTW)																			
		Unbundled Network Terminating Wire (UNTW) per Pair			UENTW	UENPP	\$0.44	\$64.98	\$64.98			\$3.50		\$26.94	\$12.76						
		Network Interface Device (NID)																			
		Network Interface Device (NID) - 1-2 lines		I	UENTW	UND12		\$86.37	\$56.69												
		Network Interface Device (NID) - 1-6 lines		I	UENTW	UND16		\$127.93	\$98.21												
		Network Interface Device Cross Connect - 2 W		I	UENTW	UNDC2		\$11.68	\$11.68			\$3.50		\$26.94	\$12.76						
		Network Interface Device Cross Connect - 4W		I	UENTW	UNDC4		\$11.68	\$11.68			\$3.50		\$26.94	\$12.76						
		UNBUNDLED LOOP CONCENTRATION																			
		Unbundled Loop Concentration - System A (TR008)			ULC	UCT8A	\$398.41	\$652.26	\$652.26												
		Unbundled Loop Concentration - System B (TR008)			ULC	UCT8B	\$58.36	\$271.78	\$271.78												
		Unbundled Loop Concentration - System A (TR303)			ULC	UCT3A	\$439.73	\$652.25	\$652.26												
		Unbundled Loop Concentration - System B (TR303)			ULC	UCT3B	\$98.34	\$271.78	\$271.78												
		Unbundled Loop Concentration - DS1 Loop Interface Card			ULC	UCTCO	\$5.52	\$126.85	\$92.35	\$33.65	\$9.42										
		Unbundled Loop Concentration - ISDN Loop Interface (Brite Card)			UDN	ULCC1	\$8.77	\$21.11	\$21.00	\$10.81	\$10.74										
		Unbundled Loop Concentration - UDC Loop Interface (Brite Card)			UDC	ULCCU	\$8.77	\$21.11	\$21.00	\$10.81	\$10.74										
		Unbundled Loop Concentration - 2 Wire Voice-Loop Start or Ground Start Loop Interface (POTS Card)			UEA	ULCC2	\$2.19	\$21.11	\$21.00	\$10.81	\$10.74										
		Unbundled Loop Concentration - 2 Wire Voice - Reverse Battery Loop Interface (SPOTS Card)			UEA	ULCCR	\$13.03	\$21.11	\$21.00	\$10.81	\$10.74										
		Unbundled Loop Concentration - 4 Wire Voice Loop Interface			UEA	ULCC4	\$7.77	\$21.11	\$21.00	\$10.81	\$10.74										
		Unbundled Loop Concentration - TEST CIRCUIT Card			ULC	UCTTC	\$37.98	\$21.11	\$21.00	\$10.81	\$10.74										
		Unbundled Loop Concentration - Digital 19.2 Kbps Data Loop Interface			UDL	ULCC7	\$11.51	\$21.11	\$21.00	\$10.81	\$10.74										
		Unbundled Loop Concentration - Digital 56 Kbps Data Loop Interface			UDL	ULCC5	\$11.51	\$21.11	\$21.00	\$10.81	\$10.74										
		Unbundled Loop Concentration - Digital 64 Kbps Data Loop Interface			UDL	ULCC6	\$11.51	\$21.11	\$21.00	\$10.81	\$10.74										
		UNBUNDLED SUB-LOOP CONCENTRATION (OUTSIDE CO)																			
		UNE OTHER, PROVISIONING ONLY - NO RATE																			
		NID - Dispatch and Service Order for NID installation			UENTW	UNDBX															
		UNTW Circuit Id Establishment, Provisioning Only - No Rate			UENTW	UENCE															
		Unbundled Contract Name, Provisioning Only - No Rate			UEANL,UEF,UEQ,UEN,TW	UNECN															
		Unbundled Contact Name, Provisioning Only - no rate			UAL,UCL,UDC,UDL,UDN,UEA,UHL,ULC	UNECN	\$0.0	\$0.0													
		Unbundled Sub-Loop Feeder-2 Wire Cross Box Jumper - no rate			UEA,UDN,UCL,UDC	USBFQ	\$0.0	\$0.0													
		Unbundled Sub-Loop Feeder-4 Wire Cross Box Jumper - no rate			UEA,USL,UCL,UDL	USBFR	\$0.0	\$0.0													
		Unbundled DS1 Loop - Superframe Format Option - no rate			USL	CCOSF	\$0.0	\$0.0													

BELLSOUTH / METROMEDIA FIBER NETWORK SERVICES RATES
Unbundled Network Elements
NORTH CAROLINA

CATEGORY	NOTES	UNBUNDLED NETWORK ELEMENT	Interim	Zone	BCS	USOC	RATES					OSS RATES					
							Rec	First	Add'l	First	Add'l	Svc Order Submitted Elec per LSR	Svc Order Submitted Manually per LSR	Incremental Charge - Manual Svc Order vs. Electronic-1st	Incremental Charge - Manual Svc Order vs. Electronic-Add'l	Incremental Charge - Manual Svc Order vs. Electronic-Disc 1st	Incremental Charge - Manual Svc Order vs. Electronic-Disc Add'l
							Nonrecurring	Nonrecurring	Disconnect	Nonrecurring	Disconnect						
		Unbundled DS1 Loop - Expanded Superframe Format option - no rate			USL	CCOEF	\$0.0	\$0.0									
HIGH CAPACITY UNBUNDLED LOCAL LOOP																	
	NOTE: 4 month minimum billing period																
		High Capacity Unbundled Local Loop - DS3 - Per Mile per month			UE3	1L5ND	\$11.12										
		High Capacity Unbundled Local Loop - DS3 - Facility Termination per month			UE3	UE3PX	\$404.98	#####	\$646.12		\$3.5		\$53.48	\$53.48			
		High Capacity Unbundled Local Loop - STS-1 - Per Mile per month			UDLSX	1L5ND	\$11.12										
		High Capacity Unbundled Local Loop - STS-1 - Facility Termination per month			UDLSX	UDLS1	\$417.7	#####	\$649.12		\$3.5		\$53.48	\$53.48			
LOOP MAKE-UP																	
		Loop Makeup - Preordering Without Reservation, per working or spare facility queried (Manual). **			UMK	UMKLW		\$58.56	\$58.56								
		Loop Makeup - Preordering With Reservation, per spare facility queried (Manual). **			UMK	UMKLP		\$56.34	\$56.34								
		Loop Makeup--With or Without Reservation, per working or spare facility queried (Mechanized) **						\$1.04	\$1.04								
LINE SHARING																	
		Line Sharing Splitter, per System 96 Line Capacity	I		ULS	ULSDA	\$152.73	\$424.61	\$0.0		\$0.0	\$0.0					
		Line Sharing Splitter, per System 24 Line Capacity	I		ULS	ULSDB	\$38.18	\$424.61	\$0.0		\$0.00	\$0.0					
		Line Sharing - per Line Activation	I		ULS	ULSDC	\$0.61	\$56.92	\$28.59		\$3.50		\$26.94	\$12.76			
		Line Sharing - per Subsequent Activity per Line Rearrangement	I		ULS	ULSDS		\$35.14	\$16.29		\$3.50		\$26.94	\$12.76			
UNBUNDLED TRANSPORT																	
COMMON TRANSPORT (Shared)																	
		Common Transport - Per Mile, Per MOU					\$0.00001										
		Common Transport - Facilities Termination Per MOU					\$0.00034										
	NOTE: INTEROFFICE CHANNEL - DEDICATED TRANSPORT - minimum billing period: below DS3 = one month, DS3 and above four months																
INTEROFFICE CHANNEL - DEDICATED TRANSPORT - VOICE GRADE																	
		Interoffice Channel - Dedicated Transport - 2-Wire Voice Grade - Per Mile per month			U1TVX	1L5XX	\$0.0282										
		Interoffice Channel - Dedicated Transport- 2- Wire Voice Grade - Facility Termination per month			U1TVX	U1TV2	\$18.00	\$137.48	\$52.58		\$3.50		\$38.07	\$38.07			
		Interoffice Channel - Dedicated Transport- 2-Wire Voice Grade Rev Bat. - Per Mile per month			U1TVX	1L5XX	\$0.0282										
		Interoffice Channel - Dedicated Transport- 2- Wire VG Rev Bat. - Facility Termination per month			U1TVX	U1TR2	\$18.00	\$18.00	\$52.58		\$3.50		\$38.07	\$38.07	\$0.00	\$0.00	
		Interoffice Channel - Dedicated Transport - 4-Wire Voice Grade - Per Mile per month			U1TVX	1L5XX	\$0.0125										
		Interoffice Channel - Dedicated Transport - 4- Wire Voice Grade - Facility Termination per month			U1TVX	U1TV4	\$22.16	\$106.11	\$65.95		\$3.5		\$22.32	\$22.32			
		Interoffice Channel - Dedicated Transport - 56 kbps - per mile per month			U1TDX	1L5XX	\$0.0282										
		Interoffice Channel - Dedicated Transport - 56 kbps - Facility Termination per month			U1TDX	U1TD5	\$17.40	\$137.48	\$52.58		\$3.50		\$38.07	\$38.07			
		Interoffice Channel - Dedicated Transport - 64 kbps - per mile per month			U1TDX	1L5XX	\$0.0282										
		Interoffice Channel - Dedicated Transport - 64 kbps - Facility Termination per month			U1TDX	U1TD6	\$17.40	\$137.48	\$52.58		\$3.50		\$38.07	\$38.07	\$0.00	\$0.00	
INTEROFFICE CHANNEL - DEDICATED TRANSPORT - DS1																	
		Interoffice Channel - Dedicated Channel - DS1 - Per Mile per month			U1TD1	1L5XX	\$0.5753										
		Interoffice Channel - Dedicated Transport - DS1 - Facility Termination per month			U1TD1	U1TF1	\$71.29	\$217.17	\$163.75		\$3.50		\$38.07	\$38.07			

BELLSOUTH / METROMEDIA FIBER NETWORK SERVICES RATES
Unbundled Network Elements
NORTH CAROLINA

CATEGORY	NOTES	UNBUNDLED NETWORK ELEMENT	Interim	Zone	BCS	USOC	RATES					OSS RATES					
							Rec	First	Add'l	First	Add'l	Svc Order Submitted Elec per LSR	Svc Order Submitted Manually per LSR	Incremental Charge - Manual Svc Order vs. Electronic-1st	Incremental Charge - Manual Svc Order vs. Electronic-Add'l	Incremental Charge - Manual Svc Order vs. Electronic-Disc 1st	Incremental Charge - Manual Svc Order vs. Electronic-Disc Add'l
SOMECE	SOMAN	SOMAN	SOMAN	SOMAN	SOMAN	SOMAN											
INTEROFFICE CHANNEL - DEDICATED TRANSPORT- DS3																	
		Interoffice Channel - Dedicated Transport - DS3 - Per Mile per month			U1TD3	1L5XX	\$12.98										
		Interoffice Channel - Dedicated Transport - DS3 - Facility Termination per month			U1TD3	U1TF3	\$720.38	\$794.94	\$579.55			\$3.50		\$91.26	\$91.26		
INTEROFFICE CHANNEL - DEDICATED TRANSPORT- STS-1																	
		Interoffice Channel - Dedicated Transport - STS-1 - Per Mile per month			U1TS1	1L5XX	\$6.14										
		Interoffice Channel - Dedicated Transport - STS-1 - Facility Termination per month			U1TS1	U1TFS	\$790.37	\$642.23	\$408.89			\$3.50		\$53.48	\$53.48		
LOCAL CHANNEL - DEDICATED TRANSPORT																	
NOTE: LOCAL CHANNEL DEDICATED TRANSPORT - minimum billing period - below DS3=one month, DS3 and above=four months																	
		Local Channel - Dedicated - 2-Wire Voice Grade Per Month			ULCVX	ULDV2	\$14.82	\$553.8	\$89.69			\$3.5		\$42.17	\$12.76		
		Local Channel - Dedicated - 2-Wire Voice Grade Rev Bat per month			ULCVX	ULDR2	\$14.82	\$553.8	\$89.69	\$0.00	\$0.00	\$3.5		\$42.17	\$12.76	\$0.00	\$0.00
		Local Channel - Dedicated - 4-Wire Voice Grade per month			UNCVX	ULDV4	\$15.87	\$562.23	\$92.67			\$3.50		\$42.17	\$12.76		
		Local Channel - Dedicated - DS1 per month			ULDD1	ULDF1	\$35.68	\$534.48	\$462.69			\$3.5		\$86.15	\$1.77		
		Local Channel - Dedicated - DS3 - Per Mile per month			ULDD3	1L5NC	\$8.66										
		Local Channel - Dedicated - DS3 - Facility Termination per month			ULDD3	ULDF3	\$496.76	\$562.25	\$527.86			\$3.50		\$56.25	\$56.25		
		Local Channel - Dedicated - STS-1 - Per Mile per month			ULDS1	1L5NC	\$8.66										
		Local Channel - Dedicated - STS-1 - Facility Termination per month			ULDS1	ULDFS	\$484.06	\$562.25	\$496.76	\$527.86	\$0.00	\$3.50		\$56.25	\$56.25	\$0.00	\$0.00
MULTIPLEXERS																	
		Channelization - DS1 to DS0 Channel System			UXTD1	MQ1	\$146.69	\$197.78	\$140.06			\$3.50		\$24.85	\$8.16		
		OCU-DP COCI (data) - DS1 to DS0 Channel System - per month (2.4-64kbs)			UDL	1D1DD	\$2.0	\$15.76	\$13.09								
		2-wire ISDN COCI (BRITE) - DS1 to DS0 Channel System - per month			UDN	UC1CA	\$3.59	\$15.76	\$13.09								
		Voice Grade COCI - DS1 to DS0 Channel System - per month			UEA	1D1VG	\$1.27	\$15.76	\$9.38								
		DS3 to DS1 Channel System per month			UXTD3	MQ3	\$233.1	\$403.97	\$234.4			\$3.50		\$24.78	\$7.42		
		STS1 to DS1 Channel System per month			UXTS1	MQ3	\$233.1	\$403.97	\$234.4			\$3.50		\$24.78	\$7.42		
		DS3 Interface Unit (DS1 COCI) used with Loop per month			USL	UC1D1	\$16.07	\$13.09	\$9.38								
DARK FIBER																	
		Dark Fiber, Four Fiber Strands, Per Route Mile or Fraction Thereof per month - Local Channel			UDF	1L5DC	\$53.86										
		NRC Dark Fiber - Local Channel			UDF	UDFC4	#####	\$562.96				\$3.50					
		Dark Fiber, Four Fiber Strands, Per Route Mile or Fraction Thereof per month - Interoffice Channel			UDF	1L5DF	\$27.71										
		NRC Dark Fiber - Interoffice Channel			UDF	UDF14	#####	\$562.96	\$0.00	\$0.00	\$3.50		\$0.00	\$0.00	\$0.00	\$0.00	
		Dark Fiber, Four Fiber Strands, Per Route Mile or Fraction Thereof per month - Local Loop			UDF	1L5DL	\$53.86										
		NRC Dark Fiber - Local Loop			UDF	UDFL4	#####	\$562.96	\$0.00	\$0.00	\$3.50		\$0.00	\$0.00	\$0.00	\$0.00	
TRANSPORT OTHER																	
Optional Features & Functions:																	
		Clear Channel Capability (B8ZS/ESF) Option - Subsequent - per DS1 Channel			UNC1X	CCOEF		\$184.76	\$23.60	\$1.99	\$0.78	\$3.50		\$29.33	\$3.93		
		Clear Channel Capability (B8ZS/SF) Option - Subsequent - per DS1 Channel			UNC1X	CCOSF		\$184.76	\$23.60	\$1.99	\$0.78	\$3.50		\$29.33	\$3.93		
8XX ACCESS TEN DIGIT SCREENING																	
		8XX Access Ten Digit Screening, Per Call			OHD		\$0.0005										
		8XX Access Ten Digit Screening, Reservation Charge Per 8XX Number Reserved			OHD	N8R1X		\$7.05	\$96			\$3.50		\$41.35			
		8XX Access Ten Digit Screening, Per 8XX No. Established W/O POTS Translations			OHD			\$23.82	\$2.73			\$3.50		\$41.35			

BELLSOUTH / METROMEDIA FIBER NETWORK SERVICES RATES
Unbundled Network Elements
NORTH CAROLINA

CATEGORY	NOTES	UNBUNDLED NETWORK ELEMENT	Interim	Zone	BCS	USOC	RATES				OSS RATES						
							Rec	First	Add'l	First	Add'l	Svc Order Submitted Elec per LSR	Svc Order Submitted Manually per LSR	Incremental Charge - Manual Svc Order vs. Electronic-1st	Incremental Charge - Manual Svc Order vs. Electronic-Add'l	Incremental Charge - Manual Svc Order vs. Electronic-Disc 1st	Incremental Charge - Manual Svc Order vs. Electronic-Disc Add'l
SOMEc	SOMAN	SOMAN	SOMAN	SOMAN	SOMAN	SOMAN											
		8XX Access Ten Digit Screening, Per 8XX No. Established With POTS Translations			OHD	N8FTX		\$23.82	\$2.73			\$3.50		\$41.35			
		8XX Access Ten Digit Screening, Customized Area of Service Per 8XX Number			OHD	N8FCX		\$5.63	\$2.82			\$3.50		\$41.35			
		8XX Access Ten Digit Screening, Multiple InterLATA CXR Routing Per CXR Requested Per 8XX No.			OHD	N8FMX		\$6.59	\$3.77			\$3.50		\$26.94			
		8XX Access Ten Digit Screening, Change Charge Per Request			OHD	N8FAX		\$8.01	\$.96			\$3.50		\$26.94			
		8XX Access Ten Digit Screening, Call Handling and Destination Features			OHD	N8FDX		\$5.63				\$3.50		\$26.94			
		8XX Access Ten Digit Screening, w/ 8XX No. Delivery, per query						\$0.00365									
		8XX Access Ten Digit Screening w/8XX No. Delivery for 8XX Numbers, with Optional Complex Features, per query						\$0.00431									
		8XX Access Ten Digit Screening, w/ POTS No. Delivery, per query						\$0.00383									
		8XX Access Ten Digit Screening w/ POTS No. Delivery, with Optional Complex Features, per query						\$0.00431									
LINE INFORMATION DATA BASE ACCESS (LIDB)																	
		LIDB Common Transport Per Query				OQT		\$0.0003									
		LIDB Validation Per Query				OQU		\$0.0134									
		LIDB Originating Point Code Establishment or Change						\$62.26				\$3.50	\$62.26	\$26.94			
SIGNALING (CCS7)																	
		CCS7 Signaling Termination, Per STP Port						\$132.88				\$3.50					
		CCS7 Signaling Usage, Per TCAP Message						\$0.00009									
		CCS7 Signaling Connection, Per link (A link)						\$155.00	\$510.00	\$510.00		\$3.50					
		CCS7 Signaling Connection, Per link (B link) (also known as D link)						\$155.00	\$510.00	\$510.00		\$3.50					
		CCS7 Signaling Usage, Per ISUP Message						\$0.00004				\$3.50					
		CCS7 Signaling Usage Surrogate, per link per LATA						\$338.98				\$3.50					
		CCS7 Signaling Point Code, Establishment or Change, per STP affected						\$62.00	\$62.00			\$3.50					
CALLING NAME (CNAM) SERVICE																	
		CNAM for DB Owners, Per Query						\$0.016									
		CNAM for Non DB Owners, Per Query						\$0.01									
		CNAM (Non-Databs Owner), NRC, applies when using the Character Based User Interface (CHUI)			OQV	CDDCH		\$595.00				\$3.50					
OPERATOR SERVICES AND DIRECTORY ASSISTANCE																	
OPERATOR CALL PROCESSING																	
		Oper. Call Processing - Oper. Provided, Per Min. - Using BST LIDB						\$1.20									
		Oper. Call Processing - Oper. Provided, Per Min. - Using Foreign LIDB						\$1.24									
		Oper. Call Processing - Fully Automated, per Call - Using BST LIDB						\$0.11									
		Oper. Call Processing - Fully Automated, per Call - Using Foreign LIDB						\$0.12									
INWARD OPERATOR SERVICES																	
		Inward Operator Services - Verification, Per Call						\$0.80									
		Inward Operator Services - Verification, Per Minute						\$1.15									
		Inward Operator Services - Verification and Emergency Interrupt - Per Call						\$0.85									
		Inward Operator Services - Verification and Emergency Interrupt - Per Minute						\$1.15									
BRANDING - OPERATOR CALL PROCESSING																	
		Recording of Custom Branded OA Announcement				CBAOS		\$7,000.00	\$7,000.00	\$9.61	\$9.61						
		Loading of Custom Branded OA Announcement per shelf/NAV				CBAOL		\$500.00	\$500.00			\$3.50					
DIRECTORY ASSISTANCE SERVICES																	
DIRECTORY ASSISTANCE ACCESS SERVICE																	

BELLSOUTH / METROMEDIA FIBER NETWORK SERVICES RATES
Unbundled Network Elements
NORTH CAROLINA

CATEGORY	NOTES	UNBUNDLED NETWORK ELEMENT	Interim	Zone	BCS	USOC	RATES					OSS RATES					
							Rec	Nonrecurring		Disconnect	SOMEc	SOMAN	SOMAN	SOMAN	SOMAN	SOMAN	
								First	Add'l								First
		Directory Assistance Access Service Calls, Charge Per Call					\$0.26										
		DIRECTORY ASSISTANCE CALL COMPLETION ACCESS SERVICE (DACC)															
		Directory Assistance Call Completion Access Service (DACC), Per Call Attempt					\$0.062										
		UNBRANDING															
		DIRECTORY TRANSPORT															
		Directory Transport - Local Channel DS1					\$35.68	\$534.48	\$462.69		\$3.50		\$86.15	\$1.77			
		Directory Transport - DS1 Level Interoffice Per Mile					\$0.5753				\$3.50						
		Directory Transport - DS1 Level Interoffice Per Facility Termination					\$71.29	\$217.17	\$163.75		\$3.50		\$38.07	\$38.07			
		Switched Common Transport Per DA Access Service Per Call					\$0.0002				\$3.5						
		Switched Common Transport Per DA Access Service Per Call Per Mile					\$0.00003				\$3.5						
		Access Tandem Switching Per DA Access Service Per Call					\$0.0021				\$3.5						
		DIRECTORY ASSISTANCE DATA BASE SERVICE (DADS)															
		Directory Assistance Data Base Service Charge Per Listing					\$0.04										
		Directory Assistance Data Base Service, per month				DBSOF	\$150.00										
		BRANDING - DIRECTORY ASSISTANCE															
		Custom Branding Announcement, per Recording to be used with the provision of DA			AMT	CBADA	\$3,000.00		\$3,000.00								
		Loading of Custom Branded Announcement per DRAM Card/Switch			AMT	CBADC	\$690.00		\$690.00								
		SELECTIVE ROUTING															
		Selective Routing Per Unique Line Class Code Per Request Per Switch				USRCR	\$229.65		\$229.65		\$3.50		\$40.18	\$9.45			
		VIRTUAL COLLOCATION															
		Virtual Collocation - 2-wire Cross Connects (loop)			ueanl,uea,udn,udc,uaf,uhl,ucl,ueq	UEAC2	\$0.09	\$41.78	\$39.23	\$4.75	\$4.75	\$3.50					
		Virtual Collocation - 2-wire Cross Connects (port)				VE1R2	\$0.09	\$41.78	\$39.23	\$4.75	\$4.75	\$3.50					
		Virtual Collocation - 4-wire Cross Connects (loop)			uea,uhl,ucl,udl	UEAC4	\$0.18	\$41.91	\$39.25	\$4.73	\$4.73	\$3.50					
		Virtual Collocation - 4-wire Cross Connects (port)				VE1R4	\$0.18	\$41.91	\$39.25	\$4.73	\$4.73	\$3.50					
		Virtual Collocation - 2-Fiber Cross Connects				CNC2F	\$15.99	\$67.34	\$48.55		\$3.50						
		Virtual Collocation - 4-Fiber Cross Connects				CNC4F	\$28.74	\$82.35	\$63.56		\$3.50						
		Virtual Collocatin - DS1 Cross Connects			USL,ULC	CNC1X	\$0.97	\$71.02	\$51.08								
		AIN SELECTIVE CARRIER ROUTING															
		Regional Service Establishment			SRC	SRCEC	#####	#####									
		End Office Establishment			SRC	SRCEO	\$320.53		\$320.53								
		Line/Port NRC, per end user			SRC	SRCLP	\$2.06		\$2.06								
		Query NRC, per query			SRC		\$0.000448										
		AIN - BELLSOUTH AIN SMS ACCESS SERVICE															
		AIN SMS Access Service - Service Establishment, Per State, Initial Setup				CAMSE	\$294.77				\$3.50	\$19.99					
		AIN SMS Access Service - Port Connection - Dial/Shared Access				CAMDP	\$86.94				\$3.50						
		AIN SMS Access Service - Port Connection - ISDN Access				CAM1P	\$86.94				\$3.50						
		AIN SMS Access Service - User Identification Codes - Per User ID Code				CAMAU	\$200.83				\$3.50						
		AIN SMS Access Service - Security Card, Per User ID Code, Initial or Replacement				CAMRC	\$172.05				\$3.50						
		AIN SMS Access Service - Storage, Per Unit (100 Kilobytes)					\$0.0023										
		AIN SMS Access Service - Session, Per Minute					\$0.0791										
		AIN SMS Access Service - Company Performed Session, Per Minute					\$2.08										
		AIN - BELLSOUTH AIN TOOLKIT SERVICE															
		AIN Toolkit Service - Service Establishment Charge, Per State, Initial Setup				BAPSC	\$290.05				\$3.50	\$19.99					
		AIN Toolkit Service - Training Session, Per Customer				BAPVX	\$8,363				\$3.50						

BELLSOUTH / METROMEDIA FIBER NETWORK SERVICES RATES
Unbundled Network Elements
NORTH CAROLINA

CATEGORY	NOTES	UNBUNDLED NETWORK ELEMENT	Interim	Zone	BCS	USOC	RATES				OSS RATES						
							Rec	First	Add'l	First	Add'l	Svc Order Submitted Elec per LSR	Svc Order Submitted Manually per LSR	Incremental Charge - Manual Svc Order vs. Electronic-1st	Incremental Charge - Manual Svc Order vs. Electronic-Add'l	Incremental Charge - Manual Svc Order vs. Electronic-Disc 1st	Incremental Charge - Manual Svc Order vs. Electronic-Disc Add'l
		AIN Toolkit Service - Trigger Access Charge, Per Trigger, Per DN, Term. Attempt				BAPTT		\$72.76				\$3.50					
		AIN Toolkit Service - Trigger Access Charge, Per Trigger, Per DN, Off-Hook Delay				BAPTD		\$72.76				\$3.50					
		AIN Toolkit Service - Trigger Access Charge, Per Trigger, Per DN, Off-Hook Immediate				BAPTM		\$72.76				\$3.50					
		AIN Toolkit Service - Trigger Access Charge, Per Trigger, Per DN, 10-Digit PODP				BAPTO		\$149.95				\$3.50					
		AIN Toolkit Service - Trigger Access Charge, Per Trigger, Per DN, CDP				BAPTC		\$149.95				\$3.50					
		AIN Toolkit Service - Trigger Access Charge, Per Trigger, Per DN, Feature Code				BAPTF		\$149.95				\$3.50					
		AIN Toolkit Service - Query Charge, Per Query						\$0.02									
		AIN Toolkit Service - Type 1 Node Charge, Per AIN Toolkit Subscription, Per Node, Per Query						\$0.005									
		AIN Toolkit Service - SCP Storage Charge, Per SMS Access Account, Per 100 Kilobytes						\$1.45									
		AIN Toolkit Service - Monthly report - Per AIN Toolkit Service Subscription				BAPMS	\$15.98	\$71.80				\$3.50					
		AIN Toolkit Service - Special Study - Per AIN Toolkit Service Subscription				BAPLS	\$0.08	\$47.20				\$3.50					
		AIN Toolkit Service - Call Event Report - Per AIN Toolkit Service Subscription				BAPDS	\$15.90	\$71.80				\$3.50					
		AIN Toolkit Service - Call Event Special Study - Per AIN Toolkit Service Subscription				BAPES	\$0.003	\$47.20				\$3.50					
ODUF/EDOUF/ADUF/CMDS																	
ACCESS DAILY USAGE FILE (ADUF)																	
		ADUF: Message Processing, per message						\$0.004									
		ADUF: Data Transmission (CONNECT:DIRECT), per message						\$0.001									
ENHANCED OPTIONAL DAILY USAGE FILE (EODUF)																	
		EODUF: Message Processing, per message						\$0.004									
OPTIONAL DAILY USAGE FILE (ODUF)																	
		ODUF: Recording, per message						\$0.0003									
		ODUF: Message Processing, per message						\$0.0032									
		ODUF: Message Processing, per Magnetic Tape provisioned						\$54.61									
		ODUF: Data Transmission (CONNECT:DIRECT), per message						\$0.00004									
		Recovery of Incremental OSS Charges, per CLP, per month						\$305.00									
ENHANCED EXTENDED LINK (EELs)																	
NOTE: New EELs available in State of Georgia, density zone 1 of following SMAs: Orlando, FL; Miami, FL; Ft. Lauderdale, FL; Nashville, TN; New Orleans, LA;																	
NOTE: Charlotte-Gastonia-Rockhill, NC; Greensboro-Winston Salem-High Point, NC. Use all rates below except Switch As Is Charge.																	
NOTE: In all states, EEL network elements shown below also apply to currently combined facilities which are converted to UNE rates. A Switch As Is Charge applies to currently combined facilities converted to UNEs.(Non-recurring rates do not apply.)																	
NOTE: In Georgia, the EEL network elements apply to ordinarily combined network elements per the GA PSC order.(No Switch As Is Charge.)																	
2-WIRE VOICE GRADE EXTENDED LOOP WITH DEDICATED DS1 INTEROFFICE TRANSPORT (EEL)																	

BELLSOUTH / METROMEDIA FIBER NETWORK SERVICES RATES
Unbundled Network Elements
NORTH CAROLINA

CATEGORY	NOTES	UNBUNDLED NETWORK ELEMENT	Interim	Zone	BCS	USOC	RATES				OSS RATES							
							Rec	First	Add'l	First	Add'l	SOMEc	SOMAN	SOMAN	SOMAN	SOMAN	Incremental Charge - Manual Svc Order vs. Electronic-Disc 1st	Incremental Charge - Manual Svc Order vs. Electronic-Disc Add'l
		First 2-Wire VG Loop - Service Level 2/DS1 Interofficed Transport Combination - Statewide		sw	UNCVX	UEAL2	\$19.50	\$142.97	\$106.56			\$3.50		\$38.07	\$38.07			
		Interoffice Transport - Dedicated - DS1 combination - Per Mile per month			UNC1X	1L5XX	\$0.5753											
		Interoffice Transport - Dedicated - DS1 combination - Facility Termination per month			UNC1X	U1TF1	\$71.29	\$217.17	\$163.75			\$3.50		\$76.14	\$76.14			
		DS1 Channelization System Per Month			UNC1X	MQ1	\$146.69	\$197.78	\$140.06									
		Voice Grade COCI - DS1 To Ds0 Interface - Per Month			UNCVX	1D1VG	\$1.27	\$13.09	\$9.38									
		Each Additional 2-Wire Vg Loop(SI2) In The Same Ds1 Interoffice Transport Combination Per Month			UNCVX	UEAL2	\$19.5	\$142.97	\$108.56			\$3.5		\$21.75	\$21.75	\$31.26	\$10.96	
		Voice Grade COCI - DS1 to DS0 Channel System combination - per month			UNCVX	1D1VG	\$1.27	\$13.09	\$9.38									
		Nonrecurring Currently Combined Network Elements Switch -As-Is Charge			UNC1X	UNCCC		\$21.75	\$21.75	\$32.28	\$10.96	\$3.5						
		4-WIRE VOICE GRADE EXTENDED LOOP WITH DEDICATED DS1 INTEROFFICE TRANSPORT (EEL)																
		First 4-Wire Analog Voice Grade Loop/DS1 Interoffice Transport Combination - Statewide		sw	UNCVX	UEAL4	\$27.49	\$288.47	\$237.45			\$3.50		\$21.75	\$21.75	\$31.26	\$10.96	
		Interoffice Transport - Dedicated - DS1 combination - Per Mile Per Month			UNC1X	1L5XX	\$0.5753											
		Interoffice Transport - Dedicated - DS1 - Facility Termination Per Month			UNC1X	U1TF1	\$71.29	\$217.17	\$163.75			\$3.50		\$76.14	\$76.14			
		Channelization - Channel System DS1 to DS0 combination Per Month			UNC1X	MQ1	\$146.69	\$197.78	\$140.06									
		Voice Grade COCI - DS1 to DS0 Channel System combination - per month			UNCVX	1D1VG	\$1.27	\$13.09	\$9.38									
		Additional 4-Wire Analog Voice Grade Loop in same DS1 Interoffice Transport Combination - Statewide		sw	UNCVX	UEAL4	\$27.49	\$288.47	\$237.45			\$3.50		\$21.75	\$21.75	\$31.26	\$10.96	
		Additional 4-Wire Analog Voice Grade Loop in same DS1 Interoffice Transport Combination - Zone 4		4	NA	NA	\$27.49											
		Voice Grade COCI - DS1 to DS0 Channel System combination - per month			UNCVX	1D1VG	\$1.27	\$13.09	\$9.38									
		Nonrecurring Currently Combined Network Elements Switch -As-Is Charge			UNC1X	UNCCC		\$21.75	\$21.75	\$32.28	\$10.96	\$3.5						
		4-WIRE 56 KBPS EXTENDED DIGITAL LOOP WITH DEDICATED DS1 INTEROFFICE TRANSPORT (EEL)																
		First 4-Wire 56Kbps Digital Grade Loop/DS1 Interoffice Transport Combination - Statewide		sw	UNCDX	UDL56	\$37.67	\$489.04	\$337.51			\$3.50		\$21.75	\$21.75	\$32.26	\$10.96	
		Interoffice Transport - Dedicated - DS1 combination - Per Mile Per Month			UNC1X	1L5XX	\$0.5753											
		Interoffice Transport - Dedicated - DS1 - combination Facility Termination Per Month			UNC1X	U1TF1	\$71.29	\$217.17	\$163.75			\$3.5		\$76.14	\$76.14			
		Channelization - Channel System DS1 to DS0 combination Per Month			UNC1X	MQ1	\$146.69	\$197.78	\$140.06									
		OCU-DP COCI (data) - DS1 to DS0 Channel System - per month (2.4-64kbs)			UNCDX	1D1DD	\$2.88	\$15.76	\$11.28									
		Additional 4-Wire 56Kbps Digital Grade Loop in same DS1 Interoffice Transport Combination - Statewide		sw	UNCDX	UDL56	\$37.67	\$489.04	\$337.51			\$3.50		\$21.75	\$21.75	\$32.26	\$10.96	
		OCU-DP COCI (data) - DS1 to DS0 Channel System - combination per month (2.4-64kbs)			UNCDX	1D1DD	\$2.88	\$15.76	\$11.28									
		Nonrecurring Currently Combined Network Elements Switch -As-Is Charge			UNC1X	UNCCC		\$21.75	\$21.75	\$32.28	\$10.96	\$3.5						
		4-WIRE 64 KBPS EXTENDED DIGITAL LOOP WITH DEDICATED DS1 INTEROFFICE TRANSPORT (EEL)																
		First 4-Wire 64Kbps Digital Grade Loop/DS1 Interoffice Transport Combination - Statewide		sw	UNCDX	UDL64	\$37.67	\$489.04	\$337.51			\$3.5		\$21.75	\$21.75	\$32.26	\$10.98	
		Interoffice Transport - Dedicated - DS1 combination - Per Mile Per Month			UNC1X	1L5XX	\$0.5753											
		Interoffice Transport - Dedicated - DS1 combination - Facility Termination Per Month			UNC1X	U1TF1	\$71.29	\$217.17	\$163.75			\$3.50		\$76.14	\$76.14	\$0.00	\$0.00	
		Channelization - Channel System DS1 to DS0 combination Per Month			UNC1X	MQ1	\$146.69	\$197.78	\$140.06									

BELLSOUTH / METROMEDIA FIBER NETWORK SERVICES RATES
Unbundled Network Elements
NORTH CAROLINA

CATEGORY	NOTES	UNBUNDLED NETWORK ELEMENT	Interim	Zone	BCS	USOC	RATES					OSS RATES					
							Rec	First	Add'l	First	Add'l	Svc Order Submitted Elec per LSR	Svc Order Submitted Manually per LSR	Incremental Charge - Manual Svc Order vs. Electronic-1st	Incremental Charge - Manual Svc Order vs. Electronic-Add'l	Incremental Charge - Manual Svc Order vs. Electronic-Disc 1st	Incremental Charge - Manual Svc Order vs. Electronic-Disc Add'l
SOMEc	SOMAN	SOMAN	SOMAN	SOMAN	SOMAN												
		OCU-DP COCI (data) - DS1 to DS0 Channel System combination - per month (2.4-64kbs)			UNCDX	1D1DD	\$2.88	\$15.76	\$11.28								
		Additional 4-Wire 64Kbps Digital Grade Loop in same DS1 Interoffice Transport Combination - Statewide		sw	UNCDX	UDL64	\$37.67	\$489.04	\$337.51		\$3.50		\$21.75	\$21.75	\$12.61	\$12.61	
		OCU-DP COCI (data) - DS1 to DS0 Channel System combination - per month (2.4-64kbs)			UNCDX	1D1DD	\$2.88	\$15.76	\$11.28								
		Nonrecurring Currently Combined Network Elements Switch -As-Is Charge			UNC1X	UNCCC		\$21.75	\$21.75	\$32.28	\$10.96	\$3.5					
		4-WIRE DS1 DIGITAL EXTENDED LOOP WITH DEDICATED DS1 INTEROFFICE TRANSPORT (EEL)															
		4-Wire DS1 Digital Loop in Combination with DS1 Interoffice Transport - Statewide		sw	UNC1X	USLXX	\$62.78	\$714.84	\$421.47		\$3.50		\$21.75	\$21.75	\$32.26	\$10.96	
		Interoffice Transport - Dedicated - DS1 combination - Per Mile Per Month			UNC1X	1L5XX	\$0.5753										
		Interoffice Transport - Dedicated - DS1 combination - Facility Termination Per Month			UNC1X	U1TF1	\$71.29	\$217.17	\$163.75		\$3.50		\$76.14	\$76.14	\$0.00	\$0.00	
		Nonrecurring Currently Combined Network Elements Switch -As-Is Charge			UNC1X	UNCCC		\$21.75	\$21.75	\$32.28	\$10.96	\$3.5					
		4-WIRE DS1 DIGITAL EXTENDED LOOP WITH DEDICATED DS3 INTEROFFICE TRANSPORT (EEL)															
		First DS1 Loop in DS3 Interoffice Transport Combination - Statewide		sw	UNC1X	USLXX	\$62.78	\$714.84	\$421.47		\$3.50		\$118.20	\$104.02			
		Interoffice Transport - Dedicated - DS3 combination - Per Mile Per Month			UNC3X	1L5XX	\$12.98										
		Interoffice Transport - Dedicated - DS3 - Facility Termination per month			UNC3X	U1TF3	\$720.38	\$794.94	\$579.55		\$3.50		\$118.20	\$104.02			
		DS3 to DS1 Channel System combination per month			UNC3X	MQ3	\$233.1	\$403.97	\$234.4								
		DS3 Interface Unit (DS1 COCI) combination per month			UNC1X	UC1D1	\$16.07	\$13.09	\$9.38								
		Additional DS1 Loop in DS3 Interoffice Transport Combination - Statewide		sw	UNC1X	USLXX	\$62.78	\$714.84	\$421.47		\$3.50		\$118.20	\$104.02			
		DS3 Interface Unit (DS1 COCI) combination per month			UNC1X	UC1D1	\$16.07	\$13.09	\$9.38								
		Nonrecurring Currently Combined Network Elements Switch -As-Is Charge			UNC3X	UNCCC		\$21.75	\$21.75	\$32.28	\$10.96	\$3.5					
		2-WIRE VOICE GRADE EXTENDED LOOP/ 2 WIRE VOICE GRADE INTEROFFICE TRANSPORT (EEL)															
		2-Wire VG Loop used with 2-wire VG Interoffice Transport Combination - Statewide		sw	UNCVX	UEAL2	\$19.5	\$142.97	\$106.56								
		Interoffice Transport - Dedicated - 2-wire VG combination - Per Mile Per Month			UNCVX	1L5XX	\$0.028										
		Interoffice Transport - Dedicated - 2- Wire Voice Grade combination - Facility Termination per month			UNCVX	U1TV2	\$18.00	\$137.48	\$52.58		\$3.5		\$38.07	\$38.07			
		Nonrecurring Currently Combined Network Elements Switch -As-Is Charge			UNCVX	UNCCC		\$21.75	\$21.75	\$32.28	\$10.96	\$3.5					
		4-WIRE VOICE GRADE EXTENDED LOOP/ 4 WIRE VOICE GRADE INTEROFFICE TRANSPORT (EEL)															
		4-Wire VG Loop used with 4-wire VG Interoffice Transport Combination - Statewide		sw	UNCVX	UEAL4	\$27.49	\$288.47	\$237.45	\$82.08	\$12.22						
		Interoffice Transport - Dedicated - 4-wire VG combination - Per Mile Per Month			UNCVX	1L5XX	\$0.0125										
		Interoffice Transport - Dedicated - 4- Wire Voice Grade combination - Facility Termination per month			UNCVX	U1TV4	\$22.16	\$106.11	\$65.95		\$3.5		\$22.32	\$22.32			
		Nonrecurring Currently Combined Network Elements Switch -As-Is Charge			UNCVX	UNCCC		\$21.75	\$21.75	\$32.28	\$10.96	\$3.5					
		DS3 DIGITAL EXTENDED LOOP WITH DEDICATED DS3 INTEROFFICE TRANSPORT (EEL)															
		High Capacity Unbundled Local Loop - DS3 combination - Per Mile per month			UNC3X	1L5ND	\$11.12										
		High Capacity Unbundled Local Loop - DS3 combination - Facility Termination per month			UNC3X	UE3PX	\$404.98	#####	\$646.12								
		Interoffice Transport - Dedicated - DS3 - Per Mile per month			UNC3X	1L5XX	\$12.98										
		Interoffice Transport - Dedicated - DS3 combination - Facility Termination per month			UNC3X	U1TF3	\$720.38	\$794.94	\$679.55		\$3.50		\$91.26	\$91.26			

BELLSOUTH / METROMEDIA FIBER NETWORK SERVICES RATES
Unbundled Network Elements
NORTH CAROLINA

CATEGORY	NOTES	UNBUNDLED NETWORK ELEMENT	Interim	Zone	BCS	USOC	RATES				OSS RATES							
							Rec	First	Add'l	First	Add'l	SOMEc	SOMAN	SOMAN	SOMAN	SOMAN	Incremental Charge - Manual Svc Order vs. Electronic-Disc 1st	Incremental Charge - Manual Svc Order vs. Electronic-Disc Add'l
		Nonrecurring Currently Combined Network Elements Switch -As-Is Charge			UNC3X	UNCCC		\$21.75	\$21.75	\$32.28	\$10.96	\$3.5						
STS1 DIGITAL EXTENDED LOOP WITH DEDICATED STS1 INTEROFFICE TRANSPORT (EEL)																		
		High Capacity Unbundled Local Loop - STS1 combination - Per Mile per month			UNCSX	1L5ND	\$11.12											
		High Capacity Unbundled Local Loop - STS1 combination - Facility Termination per month			UNCSX	UDLS1	\$404.98	#####	\$646.12									
		Interoffice Transport - Dedicated - STS1 combination - Per Mile per month			UNCSX	1L5XX	\$6.14											
		Interoffice Transport - Dedicated - STS1 combination - Facility Termination per month			UNCSX	U1TFS	\$790.37	\$642.23	\$408.89		\$3.50		\$53.48	\$53.48				
		Nonrecurring Currently Combined Network Elements Switch -As-Is Charge			UNCSX	UNCCC		\$21.75	\$21.75	\$32.28	\$10.96	\$3.5						
2-WIRE ISDN EXTENDED LOOP WITH DS1 INTEROFFICE TRANSPORT (EEL)																		
		First 2-Wire ISDN Loop/DS1 Interoffice Combination Transport - Statewide		sw	UNCNX	U1L2X	\$24.98	\$325.91	\$251.31		\$3.50		\$38.07	\$38.07				
		Interoffice Transport - Dedicated - DS1 combination - Per Mile			UNC1X	1L5XX	\$0.5753											
		Interoffice Transport - Dedicated - DS1 combination - Facility Termination per month			UNC1X	U1TF1	\$71.29	\$217.17	\$163.75		\$3.50		\$38.07	\$38.07				
		Channelization - Channel System DS1 to DS0 combination - per month			UNC1X	MQ1	\$146.69	\$197.78	\$140.06									
		2-wire ISDN COCI (BRITE) - DS1 to DS0 Channel System combination - per month			UNCNX	UC1CA	\$3.76	\$15.76	\$11.28									
		Additional 2-wire ISDN Loop in same DS1 Interoffice Transport Combination - Statewide		sw	UNCNX	U1L2X	\$24.98	\$325.91	\$251.31		\$3.50		\$38.07	\$38.07				
		2-wire ISDN COCI (BRITE) - DS1 to DS0 Channel System combination - per month			UNCNX	UC1CA	\$3.76	\$15.76	\$11.28									
		Nonrecurring Currently Combined Network Elements Switch -As-Is Charge			UNC1X	UNCCC		\$21.75	\$21.75	\$32.28	\$10.96	\$3.5						
4-WIRE DS1 DIGITAL EXTENDED LOOP WITH DEDICATED STS-1 INTEROFFICE TRANSPORT (EEL)																		
		First DS1 Loop in STS1 Interoffice Transport Combination - Statewide		sw	UNCIX	USLXX	\$62.71	\$714.84	\$757.03		\$3.5		\$53.48	\$53.48				
		Interoffice Transport - Dedicated - STS1 combination - Per Mile Per Month			UNCSX	1L5XX	\$6.14											
		Interoffice Transport - Dedicated - STS1 combination - Facility Termination			UNCSX	U1TFS	\$790.37	\$624.23	\$408.89		\$3.50		\$53.48	\$53.48				
		STS1 to DS1 Channel System combination per month			UNCSX	MQ3	\$233.1	\$403.9	\$234.4									
		DS3 Interface Unit (DS1 COC) combination per month			UNC1X	UC1D1	\$16.07	\$13.09	\$9.38									
		Additional DS1 Loop in STS1 Interoffice Transport Combination - Statewide		sw	UNC1X	USLXX	\$62.71	\$714.84	\$757.03		\$3.5		\$53.48	\$53.48				
		DS3 Interface Unit (DS1 COC) combination per month			UNC1X	UC1D1	\$16.07	\$13.09	\$9.38									
		Nonrecurring Currently Combined Network Elements Switch -As-Is Charge			UNCSX	UNCCC		\$21.75	\$21.75	\$32.28	\$10.96	\$3.5						
4-WIRE 56 KBPS DIGITAL EXTENDED LOOP WITH 56 KBPS INTEROFFICE TRANSPORT (EEL)																		
		4-wire 56 kbps Loop/4-wire 56 kbps Interoffice Transport Combination - Statewide		sw	UNCDX	UDL56	\$37.67	\$489.04	\$337.51									
		Interoffice Transport - Dedicated - 4-wire 56 kbps combination - Per Mile			UNCDX	1L5XX	\$0.0282											
		Interoffice Transport - Dedicated - 4-wire 56 kbps combination - Facility Termination			UNCDX	U1TD5	\$17.4	\$137.4504	\$52.58		\$3.50		\$38.07	\$38.07				
		Nonrecurring Currently Combined Network Elements Switch -As-Is Charge			UNCDX	UNCCC		\$21.75	\$21.75	\$32.28	\$10.96	\$3.5						
4-WIRE 64 KBPS DIGITAL EXTENDED LOOP WITH 64 KBPS INTEROFFICE TRANSPORT (EEL)																		
		4-wire 64 kbps Loop/4-wire 64 kbps Interoffice Transport Combination - Statewide		sw	UNCDX	UDL64	\$37.67											
		Interoffice Transport - Dedicated - 4-wire 64 kbps combination - Per Mile			UNCDX	1L5XX	\$0.0282											

BELLSOUTH / METROMEDIA FIBER NETWORK SERVICES RATES
Unbundled Network Elements
NORTH CAROLINA

CATEGORY	NOTES	UNBUNDLED NETWORK ELEMENT	Interim	Zone	BCS	USOC	RATES				OSS RATES						
							Rec	Nonrecurring		Disconnect	Svc Order Submitted - Elec per LSR	Svc Order Submitted Manually per LSR	Incremental Charge - Manual Svc Order vs. Electronic-1st	Incremental Charge - Manual Svc Order vs. Electronic-Add'l	Incremental Charge - Manual Svc Order vs. Electronic-Disc 1st	Incremental Charge - Manual Svc Order vs. Electronic-Disc Add'l	
								First	Add'l								First
		Interoffice Transport - Dedicated - 4-wire 64 kbps combination - Facility Termination			UNCDCX	U1TD6	\$17.40	\$137.48	\$52.58			\$3.50		\$38.07	\$38.07		
		Nonrecurring Currently Combined Network Elements Switch -As-Is Charge			UNCDCX	UNCCC		\$21.75	\$21.75	\$32.28	\$10.96	\$3.5					
ADDITIONAL NETWORK ELEMENTS																	
	When used as a part of a currently combined facility, the non-recurring charges do not apply, but a Switch As Is charge does apply.																
	When used as ordinarily combined network elements in Georgia, the non-recurring charges apply and the Switch As Is Charge does not.																
	Node (SynchroNet)																
		Node per month			UNCDCX	UNCNT	\$16.00										
	Nonrecurring Currently Combined Network Elements "Switch As Is" Charge (One applies to each combination)																
		2/4-Wire VG Interoffice Channel used in a COMBINATION - "Switch As Is" Conversion Charge			UNCVX	UNCCC		\$21.75	\$21.75	\$32.28	\$10.96	\$3.5					
		56/64 kbps Interoffice Channel used in a COMBINATION - "Switch As Is" Conversion Charge			UNCDCX	UNCCC		\$21.75	\$21.75	\$32.28	\$10.96	\$3.5					
		DS1 Interoffice Channel used in a COMBINATION - "Switch As Is" Conversion Charge			UNC1X	UNCCC		\$21.75	\$21.75	\$32.28	\$10.96	\$3.5					
		DS3 Interoffice Channel used in a COMBINATION - "Switch As Is" Conversion Charge			UNC3X	UNCCC		\$21.75	\$21.75	\$32.28	\$10.96	\$3.5					
		STS1 Interoffice or Local Loop used in a COMBINATION - "Switch As Is" Conversion Charge			UNCSX	UNCCC		\$21.75	\$21.75	\$32.28	\$10.96	\$3.5					
	NOTE: Local Channel - Dedicated Transport - minimum billing period - Below DS3=one month, DS3 and above=four months																
		Local Channel - Dedicated - 2-Wire Voice Grade per month			UNCXV	ULDV2	\$14.82										
		Local Channel - Dedicated - 4-Wire Voice Grade per month			UNCXV	ULDV4	\$15.87										
		Local Channel - Dedicated - DS1 Per Month			UNC1X	ULDF1	\$35.68										
		Local Channel - Dedicated - DS3 - Per Mile per month			UNC3X	1L5NC	\$8.66										
		Local Channel - Dedicated - DS3 - Facility Termination per month			UNC3X	ULDF3	\$496.76										
		Local Channel - Dedicated - STS-1 - Per Mile per month			UNCSX	1L5NC	\$8.66										
		Local Channel - Dedicated - STS-1 - Facility Termination per month			UNCSX	ULDFS	\$484.06										

BELLSOUTH / METROMEDIA FIBER NETWORK SERVICES RATES
Unbundled Network Elements
NORTH CAROLINA

CATEGORY	NOTES	UNBUNDLED NETWORK ELEMENT	Interim	Zone	BCS	USOC	RATES					OSS RATES									
							Rec	First	Add'l	First	Add'l	Svc Order Submitted Elec per LSR	Svc Order Submitted Manually per LSR	Incremental Charge - Manual Svc Order vs. Electronic-1st	Incremental Charge - Manual Svc Order vs. Electronic-Add'l	Incremental Charge - Manual Svc Order vs. Electronic-Disc 1st	Incremental Charge - Manual Svc Order vs. Electronic-Disc Add'l				
																		Nonrecurring		Nonrecurring	
																		Disconnect		Disconnect	
SOME	SOMAN	SOMAN	SOMAN	SOMAN	SOMAN	SOMAN															

BELLSOUTH / METROMEDIA FIBER NETWORK SERVICES RATES
Unbundled Network Elements
SOUTH CAROLINA

CATEGORY	NOTES	UNBUNDLED NETWORK ELEMENT	Interim	Zone	BCS	USOC	RATES				OSS RATES						
							Rec	First	Add'l	First	Add'l	Svc Order Submitted Elec per LSR	Svc Order Submitted Manually per LSR	Incremental Charge - Manual Svc Order vs. Electronic-1st	Incremental Charge - Manual Svc Order vs. Electronic-Add'l	Incremental Charge - Manual Svc Order vs. Electronic-Disc 1st	Incremental Charge - Manual Svc Order vs. Electronic-Disc Add'l
SOMEc	SOMAN	SOMAN	SOMAN	SOMAN	SOMAN	SOMAN											
Geographically Deaveraged UNE Zones and applicable rates have been established for certain services, as shown in this Agreement. Where Geographically Deaveraged UNE Zones and applicable rates are established, Statewide rates are obsolete. Further, BellSouth is in the process of enhancing its billing systems in order to accommodate this Geographically Deaveraged UNE Zone Rate Structure. Until these enhancements are accomplished, estimated to be mid 2001, the UNE Zone 1 rate will be billed for all services residing in Zones 1, 2, 3 or 4, i.e., Rates for services residing in UNE Zones 2, 3 and UNE Zone 4, where applicable, will not be billed. Once billing enhancements are complete, all applicable UNE Zone rates reflected in this Agreement will be billed. Reference Internet Website http://www.interconnection.bellsouth.com/become_clec/docs/interconnection/deavuzns.pdf to view Geographically Deaveraged UNE Zone Designations by Central Office.																	
UNBUNDLED EXCHANGE ACCESS LOOP																	
2-WIRE ANALOG VOICE GRADE LOOP																	
		2-Wire Analog Voice Grade Loop - Service Level 1- Zone 1		1	UEANL	UEAL2	\$18.48	\$70.44	\$44.05		\$3.50		\$44.22	\$13.55			
		2-Wire Analog Voice Grade Loop - Service Level 1- Zone 2		2	UEANL	UEAL2	\$27.87	\$70.44	\$44.05		\$3.50		\$44.22	\$13.55			
		2-Wire Analog Voice Grade Loop - Service Level 1- Zone 3		3	UEANL	UEAL2	\$36.91	\$70.44	\$44.05		\$3.50		\$44.22	\$13.55			
		Engineering Information Document (EI)			UEANL			\$28.82	\$28.82								
		Manual Order Coordination for UVL-SL1s (per loop)*			UEANL	UEAMC		\$62.10	\$62.10								
		Order Coordination for Specified Conversion Time for UVL-SL1 (per LSR) *			UEANL	OCOSL		\$45.43	\$45.43								
		2-Wire Analog Voice Grade Loop - Service Level 2 w/Loop or Ground Start Signaling - Zone 1		1	UEA	UEAL2	\$21.57	\$178.12	\$128.80		\$3.50		\$44.42	\$13.55			
		2-Wire Analog Voice Grade Loop - Service Level 2 w/Loop or Ground Start Signaling - Zone 2		2	UEA	UEAL2	\$32.53	\$178.12	\$128.80		\$3.50		\$44.42	\$13.55			
		2-Wire Analog Voice Grade Loop - Service Level 2 w/Loop or Ground Start Signaling - Zone 3		3	UEA	UEAL2	\$43.08	\$178.12	\$128.80		\$3.50		\$44.42	\$13.55			
		Order Coordination for Specified Conversion Time (per LSR)			UEA	OCOSL		\$45.43									
		2-Wire Analog Voice Grade Loop - Service Level 2 w/Reverse Battery Signaling - Zone 1		1	UEA	UEAR2	\$21.57	\$178.12	\$128.80		\$3.50		\$44.42	\$13.55			
		2-Wire Analog Voice Grade Loop - Service Level 2 w/Reverse Battery Signaling - Zone 2		2	UEA	UEAR2	\$32.53	\$178.12	\$128.80		\$3.50		\$44.42	\$13.55			
		2-Wire Analog Voice Grade Loop - Service Level 2 w/Reverse Battery Signaling - Zone 3		3	UEA	UEAR2	\$43.08	\$178.12	\$128.80		\$3.50		\$44.42	\$13.55			
		Order Coordination for Specified Conversion Time (per LSR)			UEA	OCOSL		\$45.43									
4-WIRE ANALOG VOICE GRADE LOOP																	
		4-Wire Analog Voice Grade Loop - Zone 1		1	UEA	UEAL4	\$29.47	\$383.39	\$286.77		\$3.50		\$44.06	\$13.55			
		4-Wire Analog Voice Grade Loop - Zone 2		2	UEA	UEAL4	\$44.44	\$383.39	\$286.77		\$3.50		\$44.06	\$13.55			
		4-Wire Analog Voice Grade Loop - Zone 3		3	UEA	UEAL4	\$58.85	\$383.39	\$286.77		\$3.50		\$44.06	\$13.55			
		Order Coordination for Specified Conversion Time (per LSR)			UEA	OCOSL		\$45.43									
2-WIRE ISDN DIGITAL GRADE LOOP																	
		2-Wire ISDN Digital Grade Loop - Zone 1		1	UDN	U1L2X	\$26.68	\$423.04	\$301.75		\$3.50		\$44.42	\$13.55			
		2-Wire ISDN Digital Grade Loop - Zone 2		2	UDN	U1L2X	\$40.24	\$423.04	\$301.75		\$3.50		\$44.42	\$13.55			
		2-Wire ISDN Digital Grade Loop - Zone 3		3	UDN	U1L2X	\$53.85	\$423.04	\$301.75		\$3.50		\$44.42	\$13.55			
		Order Coordination For Specified Conversion Time (per LSR)			UDN	OCOSL		\$45.43									
2-WIRE Universal Digital Channel (UDC) COMPATIBLE LOOP																	
		2-Wire Universal Digital Channel (UDC) Compatible Loop - Zone 1		1	UDC	UDC2X	\$31.51	\$235.15	\$160.05	\$106.09	\$21.21	\$3.50	\$44.42	\$13.55			
		2-Wire Universal Digital Channel (UDC) Compatible Loop - Zone 2		2	UDC	UDC2X	\$40.95	\$235.15	\$160.05	\$106.09	\$21.21	\$3.50	\$44.42	\$13.55			
		2-Wire Universal Digital Channel (UDC) Compatible Loop - Zone 3		3	UDC	UDC2X	\$47.12	\$235.15	\$160.05	\$106.09	\$21.21	\$3.50	\$44.42	\$13.55			
2-WIRE ASYMMETRICAL DIGITAL SUBSCRIBER LINE (ADSL) COMPATIBLE LOOP																	
		2 Wire Unbundled ADSL Loop including manual service inquiry & facility reservation - Zone 1		1	UAL	UAL2X	\$17.10	\$600.61	\$507.33		\$3.50		\$44.42	\$13.55			
		2 Wire Unbundled ADSL Loop including manual service inquiry & facility reservation - Zone 2		2	UAL	UAL2X	\$25.79	\$600.61	\$507.33		\$3.50		\$44.42	\$13.55			
		2 Wire Unbundled ADSL Loop including manual service inquiry & facility reservation - Zone 3		3	UAL	UAL2X	\$34.15	\$600.61	\$507.33		\$3.50		\$44.42	\$13.55			
		Order Coordination for Specified Conversion Time (per LSR)			UAL	OCOSL		\$45.43									

BELLSOUTH / METROMEDIA FIBER NETWORK SERVICES RATES
Unbundled Network Elements
SOUTH CAROLINA

CATEGORY	NOTES	UNBUNDLED NETWORK ELEMENT	Interim	Zone	BCS	USOC	RATES					OSS RATES					
							Rec	First	Add'l	First	Add'l	Svc Order Submitted Elec per LSR	Svc Order Submitted Manually per LSR	Incremental Charge - Manual Svc Order vs. Electronic-1st	Incremental Charge - Manual Svc Order vs. Electronic-Add'l	Incremental Charge - Manual Svc Order vs. Electronic-Disc 1st	Incremental Charge - Manual Svc Order vs. Electronic-Disc Add'l
SOMEc	SOMAN	SOMAN	SOMAN	SOMAN	SOMAN												
		2 Wire Unbundled ADSL Loop without manual service inquiry & facility reservation - Zone 1		1	UAL	UAL2W	\$17.10	\$205.28	\$129.32	\$100.74	\$15.86	\$3.50	\$19.99				
		2 Wire Unbundled ADSL Loop without manual service inquiry & facility reservation - Zone 2		2	UAL	UAL2W	\$25.79	\$205.25	\$129.32	\$100.74	\$15.86	\$3.50	\$19.99				
		2 Wire Unbundled ADSL Loop without manual service inquiry & facility reservation - Zone 3		3	UAL	UAL2W	\$34.15	\$205.28	\$129.32	\$100.74	\$15.86	\$3.50	\$19.99				
		Order Coordination for Specified Conversion Time (per LSR)			UAL	OCOSL		\$45.43									
		2-WIRE HIGH BIT RATE DIGITAL SUBSCRIBER LINE (HDSL) COMPATIBLE LOOP															
		2-WIRE HIGH BIT RATE DIGITAL SUBSCRIBER LINE (HDSL) COMPATIBLE LOOP															
		2 Wire Unbundled HDSL Loop including manual service inquiry & facility reservation - Zone 1		1	UHL	UHL2X	\$12.21	\$600.61	\$507.33			\$3.50		\$44.06	\$13.55		
		2 Wire Unbundled HDSL Loop including manual service inquiry & facility reservation - Zone 2		2	UHL	UHL2X	\$18.41	\$600.61	\$507.33			\$3.50		\$44.06	\$13.55		
		2 Wire Unbundled HDSL Loop including manual service inquiry & facility reservation - Zone 3		3	UHL	UHL2X	\$24.39	\$600.61	\$507.33			\$3.50		\$44.06	\$13.55		
		Order Coordination for Specified Conversion Time			UHL	OCOSL		\$45.43									
		2 Wire Unbundled HDSL Loop without manual service inquiry and facility reservation - Zone 1		1	UHL	UHL2W	\$12.21	\$222.65	\$146.68	\$100.74	\$15.86	\$3.50	\$19.99				
		2 Wire Unbundled HDSL Loop without manual service inquiry and facility reservation - Zone 2		2	UHL	UHL2W	\$18.41	\$222.65	\$146.68	\$100.74	\$15.86	\$3.50	\$19.99				
		2 Wire Unbundled HDSL Loop without manual service inquiry and facility reservation - Zone 3		3	UHL	UHL2W	\$24.39	\$222.65	\$146.68	\$100.74	\$15.86	\$3.50	\$19.99				
		Order Coordination for Specified Conversion Time			UHL	OCOSL		\$45.43									
		4-WIRE HIGH BIT RATE DIGITAL SUBSCRIBER LINE (HDSL) COMPATIBLE LOOP															
		4 Wire Unbundled HDSL Loop including manual service inquiry and facility reservation - Zone 1		1	UHL	UHL4X	\$16.21	\$625.11	\$532.78			\$3.50		\$44.06	\$13.55		
		4-Wire Unbundled HDSL Loop including manual service inquiry and facility reservation - Zone 2		2	UHL	UHL4X	\$24.45	\$625.11	\$532.78			\$3.50		\$44.06	\$13.55		
		4-Wire Unbundled HDSL Loop including manual service inquiry and facility reservation - Zone 3		3	UHL	UHL4X	\$32.38	\$625.11	\$532.78			\$3.50		\$44.06	\$13.55		
		Order Coordination for Specified Conversion Time			UHL	OCOSL		\$45.43									
		4-Wire Unbundled HDSL Loop without manual service inquiry and facility reservation - Zone 1		1	UHL	UHL4W	\$16.21	\$279.96	\$203.99	\$110.24	\$20.75	\$3.50	\$19.99				
		4-Wire Unbundled HDSL Loop without manual service inquiry and facility reservation - Zone 2		2	UHL	UHL4W	\$24.45	\$279.96	\$203.99	\$110.24	\$20.75	\$3.50	\$19.99				
		4-Wire Unbundled HDSL Loop without manual service inquiry and facility reservation - Zone 3		3	UHL	UHL4W	\$32.38	\$279.96	\$203.99	\$110.24	\$20.75	\$3.50	\$19.99				
		Order Coordination for Specified Conversion Time			UHL	OCOSL		\$45.43									
		4-WIRE DS1 DIGITAL LOOP															
		4-Wire DS1 Digital Loop - Zone 1		1	USL	USLXX	\$59.61	\$715.77	\$421.50			\$3.50		\$43.77	\$13.55		
		4-Wire DS1 Digital Loop - Zone 2		2	USL	USLXX	\$89.90	\$715.77	\$421.50			\$3.50		\$43.77	\$13.55		
		4-Wire DS1 Digital Loop - Zone 3		3	USL	USLXX	\$119.06	\$715.77	\$421.50			\$3.50		\$43.77	\$13.55		
		Order Coordination for Specified Conversion Time			USL	OCOSL		\$48.47									
		4-WIRE 19.2, 56 OR 64 KBPS DIGITAL GRADE LOOP															
		4 Wire Unbundled Digital 19.2 Kbps		1	UDL	UDL19	\$34.26	\$602.73	\$393.5			\$3.5		\$44.06	\$13.55		
		4 Wire Unbundled Digital 19.2 Kbps		2	UDL	UDL19	\$51.67	\$602.73	\$393.5			\$3.5		\$44.06	\$13.55		
		4 Wire Unbundled Digital 19.2 Kbps		3	UDL	UDL19	\$68.43	\$602.73	\$393.5			\$3.5	\$44.06	\$13.55			
		4 Wire Unbundled Digital Loop 56 Kbps - Zone 1		1	UDL	UDL56	\$34.26	\$602.73	\$393.50			\$3.50		\$44.06	\$13.55		
		4 Wire Unbundled Digital Loop 56 Kbps - Zone 2		2	UDL	UDL56	\$51.67	\$602.73	\$393.50			\$3.50		\$44.06	\$13.55		
		4 Wire Unbundled Digital Loop 56 Kbps - Zone 3		3	UDL	UDL56	\$68.43	\$602.73	\$393.50			\$3.50		\$44.06	\$13.55		
		Order Coordination for Specified Conversion Time			UDL	OCOSL		\$45.43									
		4 Wire Unbundled Digital Loop 64 Kbps - Zone 1		1	UDL	UDL64	\$34.26	\$602.73	\$393.50			\$3.50		\$44.06	\$13.55		
		4 Wire Unbundled Digital Loop 64 Kbps - Zone 2		2	UDL	UDL64	\$51.67	\$602.73	\$393.50			\$3.50		\$44.06	\$13.55		
		4 Wire Unbundled Digital Loop 64 Kbps - Zone 3		3	UDL	UDL64	\$68.47	\$602.73	\$393.50			\$3.50		\$44.06	\$13.55		
		Order Coordination for Specified Conversion Time			UDL	OCOSL		\$45.43									
		2-WIRE Unbundled COPPER LOOP															

BELLSOUTH / METROMEDIA FIBER NETWORK SERVICES RATES
Unbundled Network Elements
SOUTH CAROLINA

CATEGORY	NOTES	UNBUNDLED NETWORK ELEMENT	Interim	Zone	BCS	USOC	RATES					OSS RATES										
							Rec	First	Add'l	First	Add'l	SOMEc	SOMAN	SOMAN	SOMAN	SOMAN	SOMAN	SOMAN				
																			Nonrecurring		Nonrecurring	
																			Disconnect		Disconnect	
Svc Order Submitted Elec per LSR	Svc Order Submitted Manually per LSR	Incremental Charge - Manual Svc Order vs. Electronic-1st	Incremental Charge - Manual Svc Order vs. Electronic-Add'l	Incremental Charge - Manual Svc Order vs. Electronic-Disc 1st	Incremental Charge - Manual Svc Order vs. Electronic-Disc Add'l																	
		2-Wire Unbundled Copper Loop/Short including manual service inquiry & facility reservation - Zone 1		1	UCL	UCLPB	\$15.24	\$283.95	\$163.99	\$120.42	\$22.42	\$3.50	\$19.99									
		2-Wire Unbundled Copper Loop/Short including manual service inquiry & facility reservation - Zone 2		2	UCL	UCLPB	\$17.14	\$283.95	\$163.99	\$120.42	\$22.42	\$3.50	\$19.99									
		2 Wire Unbundled Copper Loop/Short including manual service inquiry & facility reservation - Zone 3		3	UCL	UCLPB	\$17.68	\$283.95	\$163.99	\$120.42	\$22.42	\$3.50	\$19.99									
		Order Coordination for Unbundled Copper Loops (per loop)			UCL	UCLMC		\$62.1	\$62.1													
		2-Wire Unbundled Copper Loop/Short without manual service inquiry and facility reservation - Zone 1		1	UCL	UCLPW	\$15.24	\$203.42	\$127.45	\$100.74	\$15.86	\$3.50	\$19.99									
		2-Wire Unbundled Copper Loop/Short without manual service inquiry and facility reservation - Zone 2		2	UCL	UCLPW	\$17.14	\$203.42	\$127.45	\$100.74	\$15.86	\$3.50	\$19.99									
		2-Wire Unbundled Copper Loop/Short without manual service inquiry and facility reservation - Zone 3		3	UCL	UCLPW	\$17.68	\$203.42	\$127.45	\$100.74	\$15.86	\$3.50	\$19.99									
		Order Coordination for Unbundled Copper Loops (per loop)			UCL	UCLMC		\$62.1	\$62.1													
		2-Wire Unbundled Copper Loop/Long - includes manual svc. inquiry and facility reservation - Zone 1		1	UCL	UCL2L	\$47.77	\$270.89	\$150.93	\$120.42	\$22.42	\$3.50	\$19.99									
		2-Wire Unbundled Copper Loop/Long - includes manual svc. inquiry and facility reservation - Zone 2		2	UCL	UCL2L	\$69.16	\$270.89	\$150.93	\$120.42	\$22.42	\$3.50	\$19.99									
		2-Wire Unbundled Copper Loop/Long - includes manual svc. inquiry and facility reservation - Zone 3		3	UCL	UCL2L	\$84.94	\$270.89	\$150.93	\$120.42	\$22.42	\$3.50	\$19.99									
		Order Coordination for Unbundled Copper Loops (per loop)			UCL	UCLMC		\$62.1	\$62.1													
		2-Wire Unbundled Copper Loop/Long - without manual service inquiry and facility reservation - Zone 1		1	UCL	UCL2W	\$47.77	\$190.36	\$114.39	\$100.74	\$15.86	\$3.50	\$19.99									
		2-Wire Unbundled Copper Loop/Long - without manual service inquiry and facility reservation - Zone 2		2	UCL	UCL2W	\$69.16	\$190.36	\$114.39	\$100.74	\$15.86	\$3.50	\$19.99									
		2-Wire Unbundled Copper Loop/Long - without manual service inquiry and facility reservation - Zone 3		3	UCL	UCL2W	\$84.94	\$190.36	\$114.39	\$100.74	\$15.86	\$3.50	\$19.99									
		Order Coordination for Unbundled Copper Loops (per loop)			UCL	UCLMC		\$62.1	\$62.1													
		2-Wire Unbundled Copper Loop - Non-Designed Zone 1	I	1	UEQ	UEQ2X	\$11.01	\$44.69	\$22.40	\$25.65	\$7.06	\$3.50		\$44.22	\$13.55							
		2 Wire Unbundled Copper Loop - Non-Designed - Zone 2	I	2	UEQ	UEQ2X	\$12.67	\$44.69	\$22.40	\$25.65	\$7.06	\$3.50		\$44.22	\$13.55							
		2 Wire Unbundled Copper Loop - Non-Designed - Zone 3	I	3	UEQ	UEQ2X	\$20.22	\$44.69	\$22.40	\$25.65	\$7.06	\$3.50		\$44.22	\$13.55							
		Order Coordination 2 Wire Unbundled Copper Loop - Non-Designed (per loop)			UEQ	USBMC		\$62.10	\$62.10													
		Engineering Information Document			UEQ			\$28.82	\$28.82													
		Loop Testing - Basic 1st Half Hour			UEQ	URET1		\$78.92	\$78.92													
		Loop Testing - Basic Additional Half Hour			UEQ	URETA		\$23.33	\$23.33													
		4-WIRE COPPER LOOP																				
		4-Wire Copper Loop/Short - including manual service inquiry and facility reservation - Zone 1		1	UCL	UCL4S	\$24.55	\$332.47	\$212.51	\$130.98	\$27.68	\$3.50	\$19.99									
		4-Wire Copper Loop/Short - including manual service inquiry and facility reservation - Zone 2		2	UCL	UCL4S	\$26.13	\$332.47	\$212.51	\$130.98	\$27.68	\$3.50	\$19.99									
		4-Wire Copper Loop/Short - including manual service inquiry and facility reservation - Zone 3		3	UCL	UCL4S	\$24.17	\$332.47	\$212.51	\$130.98	\$27.68	\$3.50	\$19.99									
		Order Coordination for Unbundled Copper Loops (per loop)			UCL	UCLMC		\$62.1	\$62.1													
		4-Wire Copper Loop/Short - without manual service inquiry and facility reservation - Zone 1		1	UCL	UCL4W	\$24.55	\$251.94	\$175.94	\$110.24	\$20.75	\$3.50	\$19.99									
		4-Wire Copper Loop/Short - without manual service inquiry and facility reservation - Zone 2		2	UCL	UCL4W	\$26.13	\$251.94	\$175.94	\$110.24	\$20.75	\$3.50	\$19.99									
		4-Wire Copper Loop/Short - without manual service inquiry and facility reservation - Zone 3		3	UCL	UCL4W	\$24.17	\$251.94	\$175.94	\$110.24	\$20.75	\$3.50	\$19.99									
		Order Coordination for Unbundled Copper Loops (per loop)			UCL	UCLMC		\$62.1	\$62.1													
		4-Wire Unbundled Copper Loop/Long - includes manual svc. inquiry and facility reservation - Zone 1		1	UCL	UCL4L	\$96.61	\$319.41	\$199.45	\$130.98	\$27.66	\$3.50	\$19.99									
		4-Wire Unbundled Copper Loop/Long - includes manual svc. inquiry and facility reservation - Zone 2		2	UCL	UCL4L	\$148.48	\$319.41	\$199.45	\$130.98	\$27.66	\$3.50	\$19.99									
		4-Wire Unbundled Copper Loop/Long - includes manual svc. inquiry and facility reservation - Zone 3		3	UCL	UCL4L	\$180.12	\$319.41	\$199.45	\$130.98	\$27.66	\$3.50	\$19.99									
		Order Coordination for Unbundled Copper Loops (per loop)			UCL	UCLMC		\$62.1	\$62.1													
		4-Wire Unbundled Copper Loop/Long - without manual svc. inquiry and facility reservation - Zone 1		1	UCL	UCL4O	\$96.61	\$238.87	\$162.9	\$110.24	\$20.75	\$3.50	\$19.99									

BELLSOUTH / METROMEDIA FIBER NETWORK SERVICES RATES
Unbundled Network Elements
SOUTH CAROLINA

CATEGORY	NOTES	UNBUNDLED NETWORK ELEMENT	Interim	Zone	BCS	USOC	RATES					OSS RATES					
							Rec	First	Add'l	First	Add'l	Svc Order Submitted Elec per LSR	Svc Order Submitted Manually per LSR	Incremental Charge - Manual Svc Order vs. Electronic-1st	Incremental Charge - Manual Svc Order vs. Electronic-Add'l	Incremental Charge - Manual Svc Order vs. Electronic-Disc 1st	Incremental Charge - Manual Svc Order vs. Electronic-Disc Add'l
							Nonrecurring	Nonrecurring	Disconnect	SOMEc	SOMAN	SOMAN	SOMAN	SOMAN	SOMAN		
		4-Wire Unbundled Copper Loop/Long - without manual svc. inquiry and facility reservation - Zone 2		2	UCL	UCL4O	\$148.48	\$238.87	\$162.9	\$110.24	\$20.75	\$3.50	\$19.99				
		4-Wire Unbundled Copper Loop/Long - without manual svc. inquiry and facility reservation - Zone 3		3	UCL	UCL4O	\$180.12	\$238.87	\$162.9	\$110.24	\$20.75	\$3.50	\$19.99				
		Order Coordination for Unbundled Copper Loops (per loop)			UCL	UCLMC		\$62.1	\$62.1								
LOOP MODIFICATION																	
		Unbundled Loop Modification, Removal of Load Coils - 2 Wire pair less than or equal to 18k ft			UAL, UHL, UCL, UEQ	ULM2L		\$65.32	\$65.32								
		Unbundled Loop Modification, Removal of Load Coils - 2 wire greater than 18k ft			UCL	ULM2G		\$342.29	\$342.29								
		Unbundled Loop Modification Removal of Load Coils - 4 Wire less than or equal to 18K ft			UHL, UCL	ULM4L		\$65.32	\$65.32								
		Unbundled Loop Modification Removal of Load Coils - 4 Wire pair greater than 18k ft			UCL	ULM4G		\$342.29	\$342.29								
		Unbundled Loop Modification Removal of Bridged Tap Removal, per unbundled loop			UAL, UHL, UCL, UEQ, UEF	ULMBT		\$65.37	\$65.37								
SUB-LOOPS																	
Sub-Loop Distribution																	
		Sub-Loop - Per Cross Box Location - CLEC Feeder Facility Set-Up	I		UEANL	USBSA		\$507.75	\$507.75			\$3.50	\$44.22				
		Sub-Loop - Per Cross Box Location - Per 25 Pair Panel Set-Up	I		UEANL	USBSB		\$45.37	\$45.37			\$3.50		\$44.22	\$13.55		
		Sub-Loop - Per Building Equipment Room - CLEC Feeder Facility Set-Up	I		UEANL	USBSC		\$380.60	\$380.60			\$3.50		\$44.22	\$13.55		
		Sub-Loop - Per Building Equipment Room - Per 25 Pair Panel Set-Up	I		UEANL	USBSD		\$111.15	\$111.15			\$3.50		\$44.22	\$13.55		
		Sub-Loop Distribution Per 2-Wire Analog Voice Grade Loop - Zone 1	I	1	UEANL	USBN2	\$11.09	\$131.88	\$62.05	\$90.69	\$13.42	\$3.50		\$44.22	\$13.55		
		Sub-Loop Distribution Per 2-Wire Analog Voice Grade Loop - Zone 2	I	2	UEANL	USBN2	\$15.72	\$131.88	\$62.05	\$90.69	\$13.42	\$3.50		\$44.22	\$13.55		
		Sub-Loop Distribution Per 2-Wire Analog Voice Grade Loop - Zone 3	I	3	UEANL	USBN2	\$18.49	\$131.88	\$62.05	\$90.69	\$13.42	\$3.50		\$44.22	\$13.55		
		Order Coordination for Unbundled Sub-Loops, per sub-loop pair			UEANL	USBMC		\$45.43	\$45.43								
		Sub-Loop Distribution Per 4-Wire Analog Voice Grade Loop - Zone 1	I	1	UEANL	USBN4	\$17.64	\$158.41	\$88.58	\$99.64	\$18.17	\$3.50		\$44.22	\$13.55		
		Sub-Loop Distribution Per 4-Wire Analog Voice Grade Loop - Zone 2	I	2	UEANL	USBN4	\$24.25	\$158.41	\$88.58	\$99.64	\$18.17	\$3.50		\$44.22	\$13.55		
		Sub-Loop Distribution Per 4-Wire Analog Voice Grade Loop - Zone 3	I	3	UEANL	USBN4	\$23.63	\$158.41	\$88.58	\$99.64	\$18.17	\$3.50		\$44.22	\$13.55		
		Order Coordination for Unbundled Sub-Loops, per sub-loop pair			UEANL	USBMC		\$45.43	\$45.43								
		Sub-Loop 2-Wire IntraBuilding Network Cable (INC)	I		UEANL	USBR2	\$3.01	\$106.26	\$36.42	\$90.69	\$13.42	\$3.50		\$44.22	\$13.55		
		Order Coordination for Unbundled Sub-Loops, per sub-loop pair			UEANL	USBMC		\$45.43	\$45.43								
		Sub-Loop 4-Wire IntraBuilding Network Cable (INC)	I		UEANL	USBR4	\$6.70	\$118.76	\$48.93	\$99.64	\$18.17	\$3.50		\$44.22	\$13.55		
		Order Coordination for Unbundled Sub-Loops, per sub-loop pair			UEANL	USBMC		\$45.43	\$45.43								
		2 Wire Copper Unbundled Sub-Loop Distribution - Zone 1	I	1	UEF	UCS2X	\$8.59	\$131.88	\$62.05	\$90.69	\$13.42	\$3.50		\$44.22	\$13.55		
		2 Wire Copper Unbundled Sub-Loop Distribution - Zone 2	I	2	UEF	UCS2X	\$12.29	\$131.88	\$62.05	\$90.69	\$13.42	\$3.50		\$44.22	\$13.55		
		2 Wire Copper Unbundled Sub-Loop Distribution - Zone 3	I	3	UEF	UCS2X	\$13.10	\$131.88	\$62.05	\$90.69	\$13.42	\$3.50		\$44.22	\$13.55		
		Order Coordination for Unbundled Sub-Loops, per sub-loop pair			UEF	USBMC		\$45.43	\$45.43								
		4 Wire Copper Unbundled Sub-Loop Distribution - Zone 1	I	1	UEF	UCS4X	\$9.81	\$158.41	\$88.58	\$99.64	\$18.47	\$3.50		\$44.22	\$13.55		
		4 Wire Copper Unbundled Sub-Loop Distribution - Zone 2	I	2	UEF	UCS4X	\$17.71	\$158.41	\$88.58	\$99.64	\$18.47	\$3.50		\$44.22	\$13.55		
		4 Wire Copper Unbundled Sub-Loop Distribution - Zone 3	I	3	UEF	UCS4X	\$15.80	\$158.41	\$88.58	\$99.64	\$18.47	\$3.50		\$44.22	\$13.55		
		Order Coordination for Unbundled Sub-Loops, per sub-loop pair			UEF	USBMC		\$45.43	\$45.43								
Sub-Loop Feeder																	
		USL-Feeder, DS0 Set-up per Cross Box location - CLEC Distribution Facility set-up			UEA, UDN,UCL,UDL,UDC	USBFW		\$507.75									
		USL Feeder - DS0 Set-up per Cross Box location - per 25 pair set-up			UEA, UDN,UCL,UDL,UDC	USBFX		\$45.37	\$45.37								
		USL Feeder DS1 Set-up at DSX location, per DS1 termination			USL	USBFZ		\$523.87	\$11.34								
		Unbundled Sub-Loop Feeder Loop, 2 Wire Ground Start, Voice Grade - Zone 1		1	UEA	USBFA	\$11.16	\$186.56	\$113.37	\$109.36	\$27.48	\$3.5	\$19.99				
		Unbundled Sub-Loop Feeder Loop, 2 Wire Ground-Start, Voice Grade - Zone 2		2	UEA	USBFA	\$14.67	\$186.56	\$113.37	\$109.36	\$27.48	\$3.5	\$19.99				
		Unbundled Sub-Loop Feeder Loop, Per 2 Wire Ground-Start, Voice Grade - Zone 3		3	UEA	USBFA	\$18.43	\$186.56	\$113.37	\$109.36	\$27.48	\$3.5	\$19.99				
		Order Coordination for Specified Conversion Time, per LSR			UEA	OCOSL		\$45.43									
		Unbundle Sub-Loop Feeder Loop, 2 Wire Loop-Start, Voice Grade - Zone 1		1	UEA	USBFB	\$11.16	\$186.56	\$113.37	\$109.36	\$27.48	\$3.5	\$19.99				

BELLSOUTH / METROMEDIA FIBER NETWORK SERVICES RATES
Unbundled Network Elements
SOUTH CAROLINA

CATEGORY	NOTES	UNBUNDLED NETWORK ELEMENT	Interim	Zone	BCS	USOC	RATES					OSS RATES					
							Rec	First	Add'l	First	Add'l	SOMEc	SOMAN	SOMAN	SOMAN	SOMAN	SOMAN
		Unbundled Sub-Loop Feeder Loop, 2 Wire Loop-Start, Voice Grade - Zone 2		2	UEA	USBFB	\$14.67	\$186.56	\$113.37	\$109.36	\$27.48	\$3.5	\$19.99				
		Unbundled Sub-Loop Feeder Loop, 2 Wire Start Loop, Voice Grade - Zone 3		3	UEA	USBFB	\$18.43	\$186.56	\$113.37	\$109.36	\$27.48	\$3.5	\$19.99				
		Order Coordination For Specified Time Conversion, per LSR			UEA	OCOSL		\$45.43									
		Unbundled Sub-Loop Feeder Loop, 2 Wire Reverse Battery, Voice Grade - Zone 1		1	UEA	USBFC	\$11.16	\$186.56	\$113.37	\$109.36	\$27.48	\$3.5	\$19.99				
		Unbundled Sub-Loop Feeder Loop, 2 Wire Reverse Battery, Voice Grade - Zone 2		2	UEA	USBFC	\$14.67	\$186.56	\$113.37	\$109.36	\$27.48	\$3.5	\$19.99				
		Unbundled Sub-Loop Feeder Loop, 2 Wire Analog Reverse Battery, Voice Grade - Zone 3		3	UEA	USBFC	\$18.43	\$186.56	\$113.37	\$109.36	\$27.48	\$3.5	\$19.99				
		Order Coordination For Specified Conversion Time, per LSR			UEA	OCOSL		\$45.43									
		Unbundled Sub-Loop Feeder Loop, 4 Wire Ground-Start, Voice Grade - Zone 1		1	UEA	USBFD	\$27.04	\$215.82	\$140.72	\$124.52	\$35.03	\$3.5	\$19.99				
		Unbundled Sub-Loop Feeder Loop, 4 Wire Ground-Start, Voice Grade - Zone 2		2	UEA	USBFD	\$34.46	\$215.82	\$140.72	\$124.52	\$35.03	\$3.5	\$19.99				
		Unbundled Sub-Loop Feeder Loop, 4 Wire Ground Start, Voice Grade - Zone 3		3	UEA	USBFD	\$32.55	\$215.82	\$140.72	\$124.52	\$35.03	\$3.5	\$19.99				
		Order Coordination For Specified Conversion Time, Per LSR			UEA	OCOSL		\$45.43									
		Unbundled Sub-Loop Feeder Loop, 4 Wire Loop-Start, Voice Grade - Zone 1		1	UEA	USBFE	\$27.04	\$215.82	\$140.72	\$124.52	\$35.03	\$3.5	\$19.99				
		Unbundled Sub-Loop Feeder Loop, 4 Wire Loop-Start, Voice Grade - Zone 2		2	UEA	USBFE	\$34.46	\$215.82	\$140.72	\$124.52	\$35.03	\$3.5	\$19.99				
		Unbundled Sub-Loop Feeder Loop, 4 Wire Loop-Start, Voice Grade - Zone 3		3	UEA	USBFE	\$32.55	\$215.82	\$140.72	\$124.52	\$35.03	\$3.5	\$19.99				
		Order Coordination For Specified Conversion Time, Per LSR			UEA	OCOSL		\$45.43									
		Unbundled Sub-Loop Feeder Loop, 2 Wire ISDN BRI - Zone 1		1	UDN	USBFF	\$21.31	\$212.94	\$137.84	\$111.61	\$26.73	\$3.5	\$19.99				
		Unbundled Sub-Loop Feeder Loop, 2-Wire ISDN BRI - Zone 2		2	UDN	USBFF	\$26.15	\$212.94	\$137.84	\$111.61	\$26.73	\$3.5	\$19.99				
		Unbundled Sub-Loop Feeder Loop, 2-Wire ISDN BRI - Zone 3		3	UDN	USBFF	\$29.36	\$212.94	\$137.84	\$111.61	\$26.73	\$3.5	\$19.99				
		Order Coordination For Specified Conversion Time, Per LSR			UDN	OCOSL		\$45.43									
		Unbundled Sub-Loop Feeder, 2 Wire UDC (IDSL compatible)		1	UDC	USBFS	\$21.31	\$212.94	\$137.84	\$111.61	\$26.73	\$3.5	\$19.99				
		Unbundled Sub-Loop Feeder, 2 Wire UDC (IDSL compatible)		2	UDC	USBFS	\$26.15	\$212.94	\$137.84	\$111.61	\$26.73	\$3.5	\$19.99				
		Unbundled Sub-Loop Feeder, 2 Wire UDC (IDSL compatible)		3	UDC	USBFS	\$29.36	\$212.94	\$137.84	\$111.61	\$26.73	\$3.5	\$19.99				
		Unbundled Sub-Loop Feeder Loop, 4-Wire DS1 - Zone 1		1	USL	USBFG	\$79.79	\$204.38	\$129.38	\$124.52	\$35.03	\$3.5	\$19.99				
		Unbundled Sub-Loop Feeder, 4-Wire DS1 - Zone 2		2	USL	USBFG	\$155.94	\$204.38	\$129.38	\$124.52	\$35.03	\$3.5	\$19.99				
		Unbundled Sub-Loop Feeder Loop, 4-Wire DS1 - Zone 3		3	USL	USBFG	\$290.5	\$204.38	\$129.38	\$124.52	\$35.03	\$3.5	\$19.99				
		Order Coordination For Specified Conversion Time, Per LSR			USL	OCOSL		\$45.43									
		Unbundled Sub-Loop Feeder, 2-Wire Copper Loop - Zone 1		1	UCL	USBFH	\$7.47	\$167.94	\$92.84	\$106.27	\$21.38	\$3.5	\$19.99				
		Unbundled Sub-Loop Feeder Loop, 2-Wire Copper Loop - Zone 2		2	UCL	USBFH	\$6.0	\$167.94	\$92.84	\$106.27	\$21.38	\$3.5	\$19.99				
		Unbundled Sub-Loop Feeder Loop, 2-Wire Copper Loop - Zone 3		3	UCL	USBFH	\$5.74	\$167.94	\$92.84	\$106.27	\$21.38	\$3.5	\$19.99				
		Order Coordination For Specified Conversion Time, per LSR			UCL	OCOSL		\$45.43									
		Sub-Loop Feeder - Per 4-Wire Copper Loop - Zone 1		1	UCL	USBFJ	\$16.51	\$202.43	\$127.33	\$116.06	\$26.57	\$3.5	\$19.99				
		Sub-Loop Feeder - Per 4-Wire Copper Loop - Zone 2		2	UCL	USBFJ	\$10.35	\$202.43	\$127.33	\$116.06	\$26.57	\$3.5	\$19.99				
		Sub-Loop Feeder - Per 4-Wire Copper Loop - Zone 3		3	UCL	USBFJ	\$10.52	\$202.43	\$127.33	\$116.06	\$26.57	\$3.5	\$19.99				
		Order Coordination For Specified Conversion Time, per LSR			UCL	OCOSL		\$45.43									
		Sub-Loop Feeder - Per 4-Wire 19.2 Kbps Digital Grade Loop		1	UDL	USBFN	\$26.27	\$204.38	\$129.28	\$124.52	\$35.03	\$3.5	\$19.99				
		Sub-Loop Feeder - Per 4-Wire 19.2 Kbps Digital Grade Loop		2	UDL	USBFN	\$26.62	\$204.38	\$129.28	\$124.52	\$35.03	\$3.5	\$19.99				
		Sub-Loop Feeder - Per 4-Wire 19.2 Kbps Digital Grade Loop		3	UDL	USBFN	\$25.21	\$204.38	\$129.28	\$124.52	\$35.03	\$3.5	\$19.99				
		Sub-Loop Feeder - Per 4-Wire 56 Kbps Digital Grade Loop - Zone 1		1	UDL	USBFO	\$26.27	\$204.38	\$129.28	\$124.52	\$35.03	\$3.5	\$19.99				
		Sub-Loop Feeder - Per 4-Wire 56 Kbps Digital Grade Loop - Zone 2		2	UDL	USBFO	\$26.62	\$204.38	\$129.28	\$124.52	\$35.03	\$3.5	\$19.99				
		Sub-Loop Feeder - Per 4-Wire 56 Kbps Digital Grade Loop - Zone 3		3	UDL	USBFO	\$25.21	\$204.38	\$129.28	\$124.52	\$35.03	\$3.5	\$19.99				
		Order Coordination For Specified Time Conversion, per LSR			UDL	OCOSL		\$45.43									
		Sub-Loop Feeder - Per 4-Wire 64 Kbps Digital Grade Loop - Zone 1		1	UDL	USBFP	\$26.27	\$204.38	\$129.28	\$124.52	\$35.03	\$3.5	\$19.99				
		Sub-Loop Feeder - Per 4-Wire 64 Kbps Digital Grade Loop - Zone 2		2	UDL	USBFP	\$26.62	\$204.38	\$129.28	\$124.52	\$35.03	\$3.5	\$19.99				
		Sub-Loop Feeder - Per 4-Wire 64 Kbps Digital Grade Loop - Zone 3		3	UDL	USBFP	\$25.21	\$204.38	\$129.28	\$124.52	\$35.03	\$3.5	\$19.99				
		Order Coordination For Specified Conversion Time, per LSR			UDL	OCOSL		\$45.43									
		Unbundled Sub-Loop Modification															
		Unbundled Sub-Loop Modification - 2-W Copper Dist Load Coil/Equip Removal per 2-W PR			UEF	ULM2X		\$356.50	\$12.29			\$3.5		\$44.22	\$13.55		
		Unbundled Sub-loop Modification - 4-W Copper Dist Load Coil/Equip Removal per 4-W PR			UEF	ULM4X		\$356.50	\$12.29			\$3.50		\$44.22	\$13.55		

BELLSOUTH / METROMEDIA FIBER NETWORK SERVICES RATES
Unbundled Network Elements
SOUTH CAROLINA

CATEGORY	NOTES	UNBUNDLED NETWORK ELEMENT	Interim	Zone	BCS	USOC	RATES					OSS RATES					
							Rec	First	Add'l	First	Add'l	Svc Order Submitted Elec per LSR	Svc Order Submitted Manually per LSR	Incremental Charge - Manual Svc Order vs. Electronic-1st	Incremental Charge - Manual Svc Order vs. Electronic-Add'l	Incremental Charge - Manual Svc Order vs. Electronic-Disc 1st	Incremental Charge - Manual Svc Order vs. Electronic-Disc Add'l
SOMECE	SOMAN	SOMAN	SOMAN	SOMAN	SOMAN												
		Unbundled Sub-loop Modification - 2-w/4-w Copper Dist Bridged Tap Removal, per PR unloaded			UEF	ULM4T		\$561.80	\$14.33				\$3.50	\$44.22		\$13.55	
		Unbundled Network Terminating Wire (UNTW)															
		Unbundled Network Terminating Wire (UNTW) per Pair			UENTW	UENPP	\$0.41	\$62.71	\$62.71				\$3.50	\$44.22		\$13.55	
		Network Interface Device (NID)															
		Network Interface Device (NID) - 1-2 lines			UENTW	UND12		\$87.36	\$57.58								
		Network Interface Device (NID) - 1-6 lines			UENTW	UND16		\$128.84	\$99.06								
		Network Interface Device Cross Connect - 2 W			UENTW	UNDC2		\$11.83	\$11.83			\$3.50	\$44.22		\$13.55		
		Network Interface Device Cross Connect - 4W			UENTW	UNDC4		\$11.83	\$11.83			\$3.50	\$44.22		\$13.55		
		UNBUNDLED LOOP CONCENTRATION															
		Unbundled Loop Concentration - System A (TR008)			ULC	UCT8A	\$398.41	\$652.26	\$652.26								
		Unbundled Loop Concentration - System B (TR008)			ULC	UCT8B	\$58.36	\$271.78	\$271.78								
		Unbundled Loop Concentration - System A (TR303)			ULC	UCT3A	\$439.73	\$652.26	\$652.26								
		Unbundled Loop Concentration - System B (TR303)			ULC	UCT3B	\$98.34	\$271.78	\$271.78								
		Unbundled Loop Concentration - DS1 Loop Interface Card			ULC	UCTCO	\$5.52	\$126.85	\$92.35	\$33.65	\$9.42						
		Unbundled Loop Concentration - ISDN Loop Interface (Brite Card)			UDN	ULCC1	\$8.77	\$21.11	\$21.00	\$10.81	\$10.74						
		Unbundled Loop Concentration - UDC Loop Interface (Brite Card)			UDC	ULCCU	\$8.77	\$21.11	\$21.00	\$10.81	\$10.74						
		Unbundled Loop Concentration - 2 Wire Voice-Loop Start or Ground Start Loop Interface (POTS Card)			UEA	ULCC2	\$2.19	\$21.11	\$21.00	\$10.81	\$10.74						
		Unbundled Loop Concentration - 2 Wire Voice - Reverse Battery Loop Interface (SPOTS Card)			UEA	ULCCR	\$13.03	\$21.11	\$21.00	\$10.81	\$10.74						
		Unbundled Loop Concentration - 4 Wire Voice Loop Interface			UEA	ULCC4	\$7.77	\$21.11	\$21.00	\$10.81	\$10.74						
		Unbundled Loop Concentration - TEST CIRCUIT Card			ULC	UCTTC	\$37.98	\$21.11	\$21.00	\$10.81	\$10.74						
		Unbundled Loop Concentration - Digital 19.2 Kbps Data Loop Interface			UDL	ULCC7	\$11.51	\$21.11	\$21.00	\$10.81	\$10.74						
		Unbundled Loop Concentration - Digital 56 Kbps Data Loop Interface			UDL	ULCC5	\$11.51	\$21.11	\$21.00	\$10.81	\$10.74						
		Unbundled Loop Concentration - Digital 64 Kbps Data Loop Interface			UDL	ULCC6	\$11.51	\$21.11	\$21.00	\$10.81	\$10.74						
		UNBUNDLED SUB-LOOP CONCENTRATION (OUTSIDE CO)															
		UNE OTHER, PROVISIONING ONLY - NO RATE															
		NID - Dispatch and Service Order for NID installation			UENTW	UNDBX											
		UNTW Circuit Id Establishment, Provisioning Only - No Rate			UENTW	UENCE											
		Unbundled Contract Name, Provisioning Only - No Rate			UEANL,UEF,UEQ,UENTW	UNECN											
		Unbundled Contact Name, Provisioning Only - no rate			UAL,UCL,UDC,UDL,UDN,UEA,UHL,ULC	UNECN	\$0.0	\$0.0									
		Unbundled Sub-Loop Feeder-2 Wire Cross Box Jumper - no rate			UEA,UDN,UCL,UDC	USBFQ	\$0.0	\$0.0									
		Unbundled Sub-Loop Feeder-4 Wire Cross Box Jumper - no rate			UEA,USL,UCL,UDL	USBFR	\$0.0	\$0.0									
		Unbundled DS1 Loop - Superframe Format Option - no rate			USL	CCOSF	\$0.0	\$0.0									
		Unbundled DS1 Loop - Expanded Superframe Format option - no rate			USL	CCOEF	\$0.0	\$0.0									
		HIGH CAPACITY UNBUNDLED LOCAL LOOP															
		NOTE: 4 month minimum billing period															
		High Capacity Unbundled Local Loop - DS3 - Per Mile per month			UE3	1L5ND	\$15.33										
		High Capacity Unbundled Local Loop - DS3 - Facility Termination per month			UE3	UE3PX	\$382.95	\$905.04	\$529.05	\$239.5	\$167.53	\$3.5	\$31.38	\$31.38	\$3.94	\$3.94	
		High Capacity Unbundled Local Loop - STS-1 - Per Mile per month			UDLSX	1L5ND	\$15.33										
		High Capacity Unbundled Local Loop - STS-1 - Facility Termination per month			UDLSX	UDLS1	\$391.86	\$905.04	\$529.05	\$239.5	\$167.53	\$3.5	\$31.38	\$31.38	\$3.94	\$3.94	
		LOOP MAKE-UP															
		Loop Makeup - Preordering Without Reservation, per working or spare facility queried (Manual). **			UMK	UMKLW		\$48.07	\$48.07								

BELLSOUTH / METROMEDIA FIBER NETWORK SERVICES RATES
Unbundled Network Elements
SOUTH CAROLINA

CATEGORY	NOTES	UNBUNDLED NETWORK ELEMENT	Interim	Zone	BCS	USOC	RATES				OSS RATES								
							Rec	First	Add'l	First	Add'l	SOMEc	SOMAN	SOMAN	SOMAN	SOMAN	SOMAN		
																		Nonrecurring	Nonrecurring
		Loop Makeup - Preordering With Reservation, per spare facility queried (Manual). **			UMK	UMKLP		\$50.97	\$50.97										
		Loop Makeup--With or Without Reservation, per working or spare facility queried (Mechanized) **						\$0.6873	\$0.6873										
LINE SHARING																			
		Line Sharing Splitter, per System 96 Line Capacity	I		ULS	ULSDA	\$216.22	\$378.42	\$0.0	\$356.76	\$0.0	\$0.0	\$0.0						
		Line Sharing Splitter, per System 24 Line Capacity	I		ULS	ULSDB	\$54.05	\$378.42	\$0.0	\$356.76	\$0.0	\$0.0	\$0.0						
		Line Sharing - per Line Activation	I		ULS	ULSDC	\$61	\$37.09	\$21.24	\$20.07	\$9.85	\$3.50		\$44.22	\$13.55				
		Line Sharing - per Subsequent Activity per Line Rearrangement	I		ULS	ULSDS		\$32.84	\$16.41			\$3.50		\$44.22	\$13.56				
		Line Sharing-CLEC/DLEC Owned Splitter in CO-per occurrence of each group of 24 lines (48 pr)	I		ULS	ULSDG		\$57.83		\$11.41									
UNBUNDLED TRANSPORT																			
COMMON TRANSPORT (Shared)																			
		Common Transport - Per Mile, Per MOU						\$0.0000121											
		Common Transport - Facilities Termination Per MOU						\$0.0004672											
NOTE: INTEROFFICE CHANNEL - DEDICATED TRANSPORT - minimum billing period: below DS3 = one month, DS3 and above four months																			
INTEROFFICE CHANNEL - DEDICATED TRANSPORT - VOICE GRADE																			
		Interoffice Channel - Dedicated Transport - 2-Wire Voice Grade - Per Mile per month			U1TVX	1L5XX	\$0.0167												
		Interoffice Channel - Dedicated Transport- 2- Wire Voice Grade - Facility Termination per month			U1TVX	U1TV2	\$24.30	\$81.25	\$54.94	\$33.54	\$13.82	\$3.5		\$31.38	\$31.38	\$9.8	\$9.8		
		Interoffice Channel - Dedicated Transport- 2-Wire Voice Grade Rev Bat. - Per Mile per month			U1TVX	1L5XX	\$0.0167												
		Interoffice Channel - Dedicated Transport- 2- Wire VG Rev Bat. - Facility Termination per month			U1TVX	U1TR2	\$24.30	\$81.25	\$54.94	\$33.54	\$13.82	\$3.5		\$31.38	\$31.38	\$9.8	\$9.8		
		Interoffice Channel - Dedicated Transport - 4-Wire Voice Grade - Per Mile per month			U1TVX	1L5XX	\$0.0167												
		Interoffice Channel - Dedicated Transport - 4- Wire Voice Grade - Facility Termination per month			U1TVX	U1TV4	\$21.29	\$81.25	\$54.94	\$33.54	\$13.82	\$3.5		\$31.38	\$31.38	\$3.94	\$3.94		
		Interoffice Channel - Dedicated Transport - 56 kbps - per mile per month			U1TDX	1L5XX	\$0.0167												
		Interoffice Channel - Dedicated Transport - 56 kbps - Facility Termination per month			U1TDX	U1TD5	\$16.76	\$81.25	\$54.94	\$33.54	\$13.82	\$3.5		\$31.38	\$31.38	\$3.94	\$3.94		
		Interoffice Channel - Dedicated Transport - 64 kbps - per mile per month			U1TDX	1L5XX	\$0.0282												
		Interoffice Channel - Dedicated Transport - 64 kbps - Facility Termination per month			U1TDX	U1TD6	\$16.76	\$81.25	\$54.94	\$33.54	\$13.82	\$3.5		\$31.38	\$31.38	\$3.94	\$3.94		
INTEROFFICE CHANNEL - DEDICATED TRANSPORT - DS1																			
		Interoffice Channel - Dedicated Channel - DS1 - Per Mile per month			U1TD1	1L5XX	\$0.3415												
		Interoffice Channel - Dedicated Transport - DS1 - Facility Termination per month			U1TD1	U1TF1	\$77.14	\$178.93	\$163.98	\$32.77	\$28.95	\$3.5		\$31.38	\$31.38	\$3.94	\$3.94		
INTEROFFICE CHANNEL - DEDICATED TRANSPORT- DS3																			
		Interoffice Channel - Dedicated Transport - DS3 - Per Mile per month			U1TD3	1L5XX	\$8.02												
		Interoffice Channel - Dedicated Transport - DS3 - Facility Termination per month			U1TD3	U1TF3	\$880.65	\$558.74	\$326.23	\$120.66	\$117.17	\$3.5		\$31.38	\$31.38	\$3.94	\$3.94		
INTEROFFICE CHANNEL - DEDICATED TRANSPORT- STS-1																			
		Interoffice Channel - Dedicated Transport - STS-1 - Per Mile per month			U1TS1	1L5XX	\$8.02												
		Interoffice Channel - Dedicated Transport - STS-1 - Facility Termination per month			U1TS1	U1TFS	\$880.55	\$558.74	\$326.26	\$120.66	\$117.17	\$3.5		\$31.38	\$31.38	\$3.94	\$3.94		

BELLSOUTH / METROMEDIA FIBER NETWORK SERVICES RATES
Unbundled Network Elements
SOUTH CAROLINA

CATEGORY	NOTES	UNBUNDLED NETWORK ELEMENT	Interim	Zone	BCS	USOC	RATES				OSS RATES									
							Rec	Nonrecurring	Add'l	First	Add'l	SOMEc	SOMAN	SOMAN	SOMAN	SOMAN	Incremental Charge - Manual Svc Order vs. Electronic-Disc 1st	Incremental Charge - Manual Svc Order vs. Electronic-Disc Add'l		
																			Nonrecurring	Disconnect
LOCAL CHANNEL - DEDICATED TRANSPORT																				
NOTE: LOCAL CHANNEL DEDICATED TRANSPORT - minimum billing period - below DS3=one month, DS3 and above=four months																				
		Local Channel - Dedicated - 2-Wire Voice Grade Per Month			ULCVX	ULDV2	\$15.33	\$387.05	\$66.48	\$73.44	\$6.41	\$12.6		\$31.38	\$31.38	\$3.94	\$3.94			
		Local Channel - Dedicated - 2-Wire Voice Grade Rev Bat per month			ULCVX	ULDR2	\$15.33	\$387.05	\$66.48	\$73.44	\$6.41	\$12.6		\$31.38	\$31.38	\$3.94	\$3.94			
		Local Channel - Dedicated - 4-Wire Voice Grade per month			UNCVX	ULDV4	\$16.54	\$387.93	\$67.35	\$74.38	\$7.35	\$12.6		\$31.38	\$31.38	\$3.94	\$3.94			
		Local Channel - Dedicated - DS1 per month - Zone 1		1	ULDD1	ULDF1	\$42.62	\$355.73	\$308.11	\$44.48	\$30.59	\$3.5		\$31.38	\$31.38	\$3.94	\$3.94			
		Local Channel - Dedicated - DS1 per month - Zone 2		2	ULDD1	ULDF1	\$70.32	\$355.73	\$42.62	\$308.11	\$44.48	\$3.5		\$31.38	\$31.38	\$3.94	\$3.94			
		Local Channel - Dedicated - DS1 per month - Zone 3		3	ULDD1	ULDF1	\$190.68	\$355.73	\$308.11	\$44.48	\$30.59	\$3.5		\$31.38	\$31.38	\$3.94	\$3.94			
		Local Channel - Dedicated - DS3 - Per Mile per month			ULDD3	1L5NC	\$11.93													
		Local Channel - Dedicated - DS3 - Facility Termination per month			ULDD3	ULDF3	\$446.	\$905.04	\$529.05	\$239.5	\$167.53	\$3.5		\$31.38	\$31.38	\$3.94	\$3.94			
		Local Channel - Dedicated - STS-1 - Per Mile per month			ULDS1	1L5NC	\$11.93													
		Local Channel - Dedicated - STS-1 - Facility Termination per month			ULDS1	ULDFS	\$435.1	\$905.04	\$446.	\$529.05	\$239.5	\$3.5		\$31.38	\$31.38	\$3.94	\$3.94			
MULTIPLEXERS																				
		Channelization - DS1 to DS0 Channel System			UXTD1	MQ1	\$134.46	\$182.48	\$125.42	\$21.12	\$19.62	\$3.5		\$31.38	\$31.38	\$3.947	\$3.94			
		OCU-DP COCI (data) - DS1 to DS0 Channel System - per month (2.4-64kbs)			UDL	1D1DD	\$1.49	\$13.18	\$9.45											
		2-wire ISDN COCI (BRITE) - DS1 to DS0 Channel System - per month			UDN	UC1CA	\$3.2	\$13.18	\$9.45											
		Voice Grade COCI - DS1 to DS0 Channel System - per month			UEA	1D1VG	\$0.7012	\$13.18	\$9.45											
		DS3 to DS1 Channel System per month			UXTD3	MQ3	\$180.03	\$357.07	\$188.36	\$66.66	\$63.79	\$3.5		\$31.38	\$31.38	\$3.94	\$3.94			
		STS1 to DS1 Channel System per month			UXTS1	MQ3	\$180.03													
		DS3 Interface Unit (DS1 COCI) used with Loop per month			USL	UC1D1	\$10.8	\$13.18	\$9.45											
DARK FIBER																				
		Dark Fiber, Four Fiber Strands, Per Route Mile or Fraction Thereof per month - Local Channel			UDF	1L5DC	\$97.65													
		NRC Dark Fiber - Local Channel			UDF	UDFC4	\$1,281.02	\$276.34	\$635.52	\$396.21	\$3.5		\$31.26	\$31.26	\$3.94	\$3.94				
		Dark Fiber, Four Fiber Strands, Per Route Mile or Fraction Thereof per month - Interoffice Channel			UDF	1L5DF	\$36.41													
		NRC Dark Fiber - Interoffice Channel			UDF	UDF14	\$1,281.02	\$276.34	\$635.52	\$396.21	\$3.5		\$31.26	\$31.26	\$3.94	\$3.94				
		Dark Fiber, Four Fiber Strands, Per Route Mile or Fraction Thereof per month - Local Loop			UDF	1L5DL	\$97.65													
		NRC Dark Fiber - Local Loop			UDF	UDFL4	\$1,281.02	\$276.34	\$635.52	\$396.21	\$3.5		\$31.26	\$31.26	\$3.94	\$3.94				
TRANSPORT OTHER																				
Optional Features & Functions:																				
		Clear Channel Capability (B8ZS/ESF) Option - Subsequent - per DS1 Channel			UNC1X	CCOEF	\$185.26	\$23.86	\$1.99	\$0.78	\$3.50		\$29.33	\$3.93						
		Clear Channel Capability (B8ZS/SF) Option - Subsequent - per DS1 Channel			UNC1X	CCOSF	\$185.26	\$23.86	\$1.99	\$0.78	\$3.50		\$29.33	\$3.93						
8XX ACCESS TEN DIGIT SCREENING																				
		8XX Access Ten Digit Screening, Per Call			OHD		\$0.0005227													
		8XX Access Ten Digit Screening, Reservation Charge Per 8XX Number Reserved			OHD	N8R1X		\$6.38	\$0.9583			\$3.50		\$27.84						
		8XX Access Ten Digit Screening, Per 8XX No. Established W/O POTS Translations			OHD			\$22.63	\$2.73			\$3.50								
		8XX Access Ten Digit Screening, Per 8XX No. Established With POTS Translations			OHD	N8FTX		\$22.63	\$2.73			\$3.50								
		8XX Access Ten Digit Screening, Customized Area of Service Per 8XX Number			OHD	N8FCX		\$5.64	\$2.82			\$3.50								
		8XX Access Ten Digit Screening, Multiple InterLATA CXR Routing Per CXR Requested Per 8XX No.			OHD	N8FMX		\$6.60	\$3.78			\$3.50								
		8XX Access Ten Digit Screening, Change Charge Per Request			OHD	N8FAX		\$7.34	\$0.9583			\$3.50		\$27.84						
		8XX Access Ten Digit Screening, Call Handling and Destination Features			OHD	N8FDX		\$5.64				\$3.50								

BELLSOUTH / METROMEDIA FIBER NETWORK SERVICES RATES
Unbundled Network Elements
SOUTH CAROLINA

CATEGORY	NOTES	UNBUNDLED NETWORK ELEMENT	Interim	Zone	BCS	USOC	RATES				OSS RATES							
							Rec	First	Add'l	Disconnect	Svc Order Submitted Elec per LSR	Svc Order Submitted Manually per LSR	Incremental Charge - Manual Svc Order vs. Electronic-1st	Incremental Charge - Manual Svc Order vs. Electronic-Add'l	Incremental Charge - Manual Svc Order vs. Electronic-Disc 1st	Incremental Charge - Manual Svc Order vs. Electronic-Disc Add'l		
																	Nonrecurring	Nonrecurring
LINE INFORMATION DATA BASE ACCESS (LIDB)																		
		LIDB Common Transport Per Query				OQT	\$0.000442											
		LIDB Validation Per Query				OQU	\$0.0145288											
		LIDB Originating Point Code Establishment or Change											\$61.62			\$3.50	\$27.84	\$27.84
SIGNALING (CCS7)																		
		CCS7 Signaling Termination, Per STP Port					\$156.33											
		CCS7 Signaling Usage, Per TCAP Message					\$0.0001108											
		CCS7 Signaling Connection, Per link (A link)					\$21.79	\$277.07	\$42.95				\$3.50					
		CCS7 Signaling Connection, Per link (B link) (also known as D link)					\$21.79	\$277.07	\$42.95				\$3.50					
		CCS7 Signaling Usage, Per ISUP Message					\$0.000452											
		CCS7 Signaling Usage Surrogate, per link per LATA					\$396.55											
		CCS7 Signaling Point Code, Establishment or Change, per STP affected						\$62.00	\$62.00				\$3.50					
CALLING NAME (CNAM) SERVICE																		
		CNAM for DB Owners, Per Query					\$0.016											
		CNAM for Non DB Owners, Per Query					\$0.01											
		CNAM (Non-Databs Owner), NRC, applies when using the Character Based User Interface (CHUI)				OQV		CDDCH					\$595.00			\$3.5		
OPERATOR SERVICES AND DIRECTORY ASSISTANCE																		
OPERATOR CALL PROCESSING																		
		Oper. Call Processing - Oper. Provided, Per Min. - Using BST LIDB					\$1.2											
		Oper. Call Processing - Oper. Provided, Per Min. - Using Foreign LIDB					\$1.24											
		Oper. Call Processing - Fully Automated, per Call - Using BST LIDB					\$0.20											
		Oper. Call Processing - Fully Automated, per Call - Using Foreign LIDB					\$0.20											
INWARD OPERATOR SERVICES																		
		Inward Operator Services - Verification, Per Minute					\$1.15											
		Inward Operator Services - Verification and Emergency Interrupt - Per Minute					\$1.15											
BRANDING - OPERATOR CALL PROCESSING																		
		Recording of Custom Branded OA Announcement				CBAOS	\$7,000.00	\$7,000.00	\$9.61	\$9.61								
		Loading of Custom Branded OA Announcement per shelf/NAV				CBAOL	\$500.00	\$500.00				\$3.50						
DIRECTORY ASSISTANCE SERVICES																		
DIRECTORY ASSISTANCE ACCESS SERVICE																		
		Directory Assistance Access Service Calls, Charge Per Call					\$0.275											
DIRECTORY ASSISTANCE CALL COMPLETION ACCESS SERVICE (DACC)																		
		Directory Assistance Call Completion Access Service (DACC), Per Call Attempt					\$0.10											
UNBRANDING																		
DIRECTORY TRANSPORT																		
		Directory Transport - Local Channel DS1					\$37.20	\$534.81	\$462.81				\$3.50		\$87.99		\$3.11	
		Directory Transport - DS1 Level Interoffice Per Mile					\$0.7598						\$3.5					
		Directory Transport - DS1 Level Interoffice Per Facility Termination					\$94.96	\$216.27	\$162.70				\$3.50		\$39.63	\$39.63		
		Switched Common Transport Per DA Access Service Per Call					\$0.000327						\$3.5					
		Switched Common Transport Per DA Access Service Per Call Per Mile					\$0.0000303						\$3.5					
		Access Tandem Switching Per DA Access Service Per Call					\$0.0024809						\$3.5					
		Directory Transport - DA Interconnection Per DA Service Call					\$0.000269						\$3.5					
		Directory Transport - Installation NRC, Per Trunk or Signaling Connection						\$407.81	\$11.00				\$3.50					

BELLSOUTH / METROMEDIA FIBER NETWORK SERVICES RATES
Unbundled Network Elements
SOUTH CAROLINA

CATEGORY	NOTES	UNBUNDLED NETWORK ELEMENT	Interim	Zone	BCS	USOC	RATES				OSS RATES					
							Rec	First	Add'l	Nonrecurring	Svc Order Submitted Elec per LSR	Svc Order Submitted Manually per LSR	Incremental Charge - Manual Svc Order vs. Electronic-1st	Incremental Charge - Manual Svc Order vs. Electronic-Add'l	Incremental Charge - Manual Svc Order vs. Electronic-Disc 1st	Incremental Charge - Manual Svc Order vs. Electronic-Disc Add'l
SOME	SOMAN	SOMAN	SOMAN	SOMAN	SOMAN											
		DIRECTORY ASSISTANCE DATA BASE SERVICE (DADS)														
		Directory Assistance Data Base Service Charge Per Listing					\$0.04									
		Directory Assistance Data Base Service, per month				DBSOF	\$150.00									
		BRANDING - DIRECTORY ASSISTANCE														
		Custom Branding Announcement, per Recording to be used with the provision of DA			AMT	CBADA	\$3,000.00	\$3,000.00								
		Loading of Custom Branded Announcement per DRAM Card/Switch			AMT	CBADC	\$690.00	\$690.00								
		SELECTIVE ROUTING														
		Selective Routing Per Unique Line Class Code Per Request Per Switch				USRCR	\$226.22	\$226.22		\$3.50		\$43.19	\$9.91			
		VIRTUAL COLLOCATION														
		Virtual Collocation - 2-wire Cross Connects (loop)			ueanl,uea,udn,udc,ual,uhl,ucl,ueq	UEAC2	\$0.3648	\$41.50	\$38.94		\$3.50					
		Virtual Collocation - 2-wire Cross Connects (port)				VE1R2	\$0.3648	\$41.50	\$38.94		\$3.50					
		Virtual Collocation - 4-wire Cross Connects (loop)			uea,uhl,ucl,udl	UEAC4	\$0.7297	\$41.56	\$38.90		\$3.50					
		Virtual Collocation - 4-wire Cross Connects (port)				VE1R4	\$0.7297	\$41.56	\$38.90		\$3.50					
		Virtual Collocation - 2-Fiber Cross Connects				CNC2F	\$15.06	\$69.28	\$48.89		\$3.50					
		Virtual Collocation - 4-Fiber Cross Connects				CNC4F	\$27.08	\$84.07	\$63.68		\$3.50					
		Virtual Collocatin - DS1 Cross Connects			USL,ULC	CNC1X	\$7.5	\$155.000	\$14.00							
		AIN SELECTIVE CARRIER ROUTING														
		Regional Service Establishment			SRC	SRCEC	#####	#####								
		End Office Establishment			SRC	SRCEO	\$320.53	\$320.53								
		Line/Port NRC, per end user			SRC	SRCLP	\$2.06	\$2.06								
		Query NRC, per query			SRC		\$0.000448									
		AIN - BELLSOUTH AIN SMS ACCESS SERVICE														
		AIN SMS Access Service - Service Establishment, Per State, Initial Setup				CAMSE	\$296.16			\$3.50	\$19.99					
		AIN SMS Access Service - Port Connection - Dial/Shared Access				CAMDP	\$87.29			\$3.50						
		AIN SMS Access Service - Port Connection - ISDN Access				CAM1P	\$87.29			\$3.50						
		AIN SMS Access Service - User Identification Codes - Per User ID Code				CAMAU	\$202.08			\$3.50						
		AIN SMS Access Service - Security Card, Per User ID Code, Initial or Replacement				CAMRC	\$172.26			\$3.50						
		AIN SMS Access Service - Storage, Per Unit (100 Kilobytes)					\$0.0028									
		AIN SMS Access Service - Session, Per Minute					\$0.0942966									
		AIN SMS Access Service - Company Performed Session, Per Minute					\$2.07									
		AIN - BELLSOUTH AIN TOOLKIT SERVICE														
		AIN Toolkit Service - Service Establishment Charge, Per State, Initial Setup				BAPSC	\$291.41			\$3.50	\$19.99					
		AIN Toolkit Service - Training Session, Per Customer				BAPVX	\$8.333			\$3.50						
		AIN Toolkit Service - Trigger Access Charge, Per Trigger, Per DN, Term. Attempt				BAPTT	\$73.02			\$3.50						
		AIN Toolkit Service - Trigger Access Charge, Per Trigger, Per DN, Off-Hook Delay				BAPTD	\$73.02			\$3.50						
		AIN Toolkit Service - Trigger Access Charge, Per Trigger, Per DN, Off-Hook Immediate				BAPTM	\$73.02			\$3.50						
		AIN Toolkit Service - Trigger Access Charge, Per Trigger, Per DN, 10-Digit PODP				BAPTO	\$150.25			\$3.50						
		AIN Toolkit Service - Trigger Access Charge, Per Trigger, Per DN, CDP				BAPTC	\$150.25			\$3.50						
		AIN Toolkit Service - Trigger Access Charge, Per Trigger, Per DN, Feature Code				BAPTF	\$150.25			\$3.50						
		AIN Toolkit Service - Query Charge, Per Query					\$0.0250662									
		AIN Toolkit Service - Type 1 Node Charge, Per AIN Toolkit Subscription, Per Node, Per Query					\$0.0062979									

BELLSOUTH / METROMEDIA FIBER NETWORK SERVICES RATES
Unbundled Network Elements
SOUTH CAROLINA

CATEGORY	NOTES	UNBUNDLED NETWORK ELEMENT	Interim	Zone	BCS	USOC	RATES					OSS RATES					
							Rec	First	Add'l	First	Add'l	Svc Order Submitted Elec per LSR	Svc Order Submitted Manually per LSR	Incremental Charge - Manual Svc Order vs. Electronic-1st	Incremental Charge - Manual Svc Order vs. Electronic-Add'l	Incremental Charge - Manual Svc Order vs. Electronic-Disc 1st	Incremental Charge - Manual Svc Order vs. Electronic-Disc Add'l
										Nonrecurring	Disconnect						
		AIN Toolkit Service - SCP Storage Charge, Per SMS Access Account, Per 100 Kilobytes					\$1.73										
		AIN Toolkit Service - Monthly report - Per AIN Toolkit Service Subscription				BAPMS	\$15.93	\$72.15				\$3.50					
		AIN Toolkit Service - Special Study - Per AIN Toolkit Service Subscription				BAPLS	\$0.0872769	\$47.35				\$3.50					
		AIN Toolkit Service - Call Event Report - Per AIN Toolkit Service Subscription				BAPDS	\$15.84	\$72.15				\$3.50					
		AIN Toolkit Service - Call Event Special Study - Per AIN Toolkit Service Subscription				BAPES	\$0.0029092	\$47.35				\$3.50					
ODUF/EDOUF/ADUF/CMDS																	
ACCESS DAILY USAGE FILE (ADUF)																	
		ADUF: Message Processing, per message					\$0.004										
		ADUF: Data Transmission (CONNECT:DIRECT), per message					\$0.001										
ENHANCED OPTIONAL DAILY USAGE FILE (EODUF)																	
		EODUF: Message Processing, per message					\$0.004										
OPTIONAL DAILY USAGE FILE (ODUF)																	
		ODUF: Recording, per message					\$0.0002862										
		ODUF: Message Processing, per message					\$0.0032344										
		ODUF: Message Processing, per Magnetic Tape provisioned					\$54.72										
		ODUF: Data Transmission (CONNECT:DIRECT), per message					\$0.0000357										
ENHANCED EXTENDED LINK (EELs)																	
NOTE: New EELs available in State of Georgia, density zone 1 of following SMAs: Orlando, FL; Miami, FL; Ft. Lauderdale, FL; Nashville, TN; New Orleans, LA;																	
NOTE: Charlotte-Gastonia-Rockhill, NC; Greensboro-Winston Salem-High Point, NC. Use all rates below except Switch As Is Charge.																	
NOTE: In all states, EEL network elements shown below also apply to currently combined facilities which are converted to UNE rates. A Switch As Is Charge applies to currently combined facilities converted to UNEs.(Non-recurring rates do not apply.)																	
NOTE: In Georgia, the EEL network elements apply to ordinarily combined network elements per the GA PSC order.(No Switch As Is Charge.)																	
2-WIRE VOICE GRADE EXTENDED LOOP WITH DEDICATED DS1 INTEROFFICE TRANSPORT (EEL)																	
		First 2-Wire VG Loop(SL2)/DS1 Interofficed Transport Combination - Zone 1		1	UNCVX	UEAL2	\$20.85										
		First 2-Wire VG Grade Loop(SL2)/DS1 Interofficed Transport Combination - Zone 2		2	UNCVX	UEAL2	\$28.91										
		First 2-Wire VG Grade Loop(SL2)/DS1 Interofficed Transport Combination - Zone 3		3	UNCVX	UEAL2	\$35.57										
		Interoffice Transport - Dedicated - DS1 combination - Per Mile per month			UNC1X	1L5XX	\$0.3415										
		Interoffice Transport - Dedicated - DS1 combination - Facility Termination per month			UNC1X	U1TF1	\$77.14										
		DS1 Channelization System Per Month			UNC1X	MQ1	\$134.46										
		Voice Grade COCI - DS1 To Ds0 Interface - Per Month			UNCVX	1D1VG	\$0.7012										
		Each Additional 2-Wire VG Loop(SL 2) in the same DS1 Interoffice Transport Combination - Zone 1		1	UNCVX	UEAL2	\$20.85										
		Each Additional 2-Wire VG Loop(SL2) in the same DS1 Interoffice Transport Combination - Zone 2		2	UNCVX	UEAL2	\$28.91										

BELLSOUTH / METROMEDIA FIBER NETWORK SERVICES RATES
Unbundled Network Elements
SOUTH CAROLINA

CATEGORY	NOTES	UNBUNDLED NETWORK ELEMENT	Interim	Zone	BCS	USOC	RATES				OSS RATES									
							Rec	First	Add'l	First	Add'l	SOMEc	SOMAN	SOMAN	SOMAN	SOMAN	SOMAN			
																		Nonrecurring	Nonrecurring	Disconnect
		Each Additional 2-Wire VG Loop(SL2) in the same DS1 Interoffice Transport Combination - Zone 3		3	UNCVX	UEAL2	\$35.57													
		Voice Grade COCI - DS1 to DS0 Channel System combination - per month			UNCVX	1D1VG	\$0.7012													
		Nonrecurring Currently Combined Network Elements Switch -As-Is Charge			UNC1X	UNCCC		\$11.21	\$11.21	\$13.99	\$13.99	\$3.5		\$31.38	\$31.38	\$3.94	\$3.94			
		4-WIRE VOICE GRADE EXTENDED LOOP WITH DEDICATED DS1 INTEROFFICE TRANSPORT (EEL)																		
		First 4-Wire Analog Voice Grade Loop/DS1 Interoffice Transport Combination - Zone 1		1	UNCVX	UEAL4	\$40.74													
		First 4-Wire Analog Voice Grade Loop/DS1 Interoffice Transport Combination - Zone 2		2	UNCVX	UEAL4	\$54.86													
		First 4-Wire Analog Voice Grade Loop/DS1 Interoffice Transport Combination - Zone 3		3	UNCVX	UEAL4	\$54.23													
		Interoffice Transport - Dedicated - DS1 combination - Per Mile Per Month			UNC1X	1L5XX	\$0.3415													
		Interoffice Transport - Dedicated - DS1 - Facility Termination Per Month			UNC1X	U1TF1	\$77.14													
		Channelization - Channel System DS1 to DS0 combination Per Month			UNC1X	MQ1	\$134.46													
		Voice Grade COCI - DS1 to DS0 Channel System combination - per month			UNCVX	1D1VG	\$0.7012													
		Additional 4-Wire Analog Voice Grade Loop in same DS1 Interoffice Transport Combination - Zone 1		1	UNCVX	UEAL4	\$40.74													
		Additional 4-Wire Analog Voice Grade Loop in same DS1 Interoffice Transport Combination - Zone 2		2	UNCVX	UEAL4	\$54.86													
		Additional 4-Wire Analog Voice Grade Loop in same DS1 Interoffice Transport Combination - Zone 3		3	UNCVX	UEAL4	\$54.23													
		Nonrecurring Currently Combined Network Elements Switch -As-Is Charge			UNC1X	UNCCC		\$11.21	\$11.21	\$13.99	\$13.99	\$3.5		\$31.38	\$31.38	\$3.94	\$3.94			
		4-WIRE 56 KBPS EXTENDED DIGITAL LOOP WITH DEDICATED DS1 INTEROFFICE TRANSPORT (EEL)																		
		First 4-Wire 56Kbps Digital Grade Loop/DS1 Interoffice Transport Combination - Zone 1		1	UNCDX	UDL56	\$37.41													
		First 4-wire 56Kbps Digital Grade Loop/DS1 Interoffice Transport Combination - Zone 2		2	UNCDX	UDL56	\$42.49													
		First 4-Wire 56Kbps Digital Grade Loop/DS1 Interoffice Transport Combination - Zone 3		3	UNCDX	UDL56	\$43.43													
		Interoffice Transport - Dedicated - DS1 combination - Per Mile Per Month			UNC1X	1L5XX	\$0.3415													
		Interoffice Transport - Dedicated - DS1 - combination Facility Termination Per Month			UNC1X	U1TF1	\$77.14													
		Channelization - Channel System DS1 to DS0 combination Per Month			UNC1X	MQ1	\$134.46													
		OCU-DP COCI (data) - DS1 to DS0 Channel System - per month (2.4-64kbs)			UNCDX	1D1DD	\$1.49													
		Additional 4-Wire 56Kbps Digital Grade Loop in same DS1 Interoffice Transport Combination - Zone 1		1	UNCDX	UDL56	\$37.41													
		Additional 4-Wire 56Kbps Digital Grade Loop in same DS1 Interoffice Transport Combination - Zone 2		2	UNCDX	UDL56	\$42.49													
		Additional 4-Wire 56Kbps Digital Grade Loop in same DS1 Interoffice Transport Combination - Zone 3		3	UNCDX	UDL56	\$43.43													
		OCU-DP COCI (data) - DS1 to DS0 Channel System - combination per month (2.4-64kbs)			UNCDX	1D1DD	\$1.49													
		Nonrecurring Currently Combined Network Elements Switch -As-Is Charge			UNC1X	UNCCC		\$11.21	\$11.21	\$13.99	\$13.99	\$3.5		\$31.38	\$31.38	\$3.94	\$3.94			
		4-WIRE 64 KBPS EXTENDED DIGITAL LOOP WITH DEDICATED DS1 INTEROFFICE TRANSPORT (EEL)																		
		First 4-Wire 64Kbps Digital Grade Loop/DS1 Interoffice Transport Combination - Zone 1		1	UNCDX	UDL64	\$37.41													
		First 4-Wire 64Kbps Digital Grade Loop/DS1 Interoffice Transport Combination - Zone 2		2	UNCDX	UDL64	\$42.49													

BELLSOUTH / METROMEDIA FIBER NETWORK SERVICES RATES
Unbundled Network Elements
SOUTH CAROLINA

CATEGORY	NOTES	UNBUNDLED NETWORK ELEMENT	Interim	Zone	BCS	USOC	RATES				OSS RATES									
							Rec	First	Add'l	First	Add'l	SOME	SOMAN	SOMAN	SOMAN	SOMAN	SOMAN			
																		Nonrecurring	Nonrecurring	Disconnect
		First 4-Wire 64Kbps Digital Grade Loop/DS1 Interoffice Transport Combination - Zone 3		3	UNC1X	UDL64	\$43.43													
		Interoffice Transport - Dedicated - DS1 combination - Per Mile Per Month			UNC1X	1L5XX	\$0.3415													
		Interoffice Transport - Dedicated - DS1 combination - Facility Termination Per Month			UNC1X	U1TF1	\$77.14													
		Channelization - Channel System DS1 to DS0 combination Per Month			UNC1X	MQ1	\$134.46													
		OCU-DP COCI (data) - DS1 to DS0 Channel System combination - per month (2.4-64kbs)			UNC1X	1D1DD	\$1.49													
		Additional 4-Wire 64Kbps Digital Grade Loop in same DS1 Interoffice Transport Combination - Zone 1		1	UNC1X	UDL64	\$37.41													
		Additional 4-Wire 64Kbps Digital Grade Loop in same DS1 Interoffice Transport Combination - Zone 2		2	UNC1X	UDL64	\$42.49													
		Additional 4-Wire 64Kbps Digital Grade Loop in same DS1 Interoffice Transport Combination - Zone 3		3	UNC1X	UDL64	\$43.43													
		OCU-DP COCI (data) - DS1 to DS0 Channel System combination - per month (2.4-64kbs)			UNC1X	1D1DD	\$1.49													
		Nonrecurring Currently Combined Network Elements Switch -As-Is Charge			UNC1X	UNCCC		\$11.21	\$11.21	\$13.99	\$13.99	\$3.5		\$31.38	\$31.38	\$3.94	\$3.94			
		4-WIRE DS1 DIGITAL EXTENDED LOOP WITH DEDICATED DS1 INTEROFFICE TRANSPORT (EEL)																		
		4-Wire DS1 Digital Loop in Combination with DS1 Interoffice Transport - Zone 1		1	UNC1X	USLXX	\$113.59													
		4-Wire DS1 Digital Loop in Combination with DS1 Interoffice Transport - Zone 2		2	UNC1X	USLXX	\$194.29													
		4-Wire DS1 Digital Loop in Combination with DS1 Interoffice Transport - Zone 3		3	UNC1X	USLXX	\$327.36													
		Interoffice Transport - Dedicated - DS1 combination - Per Mile Per Month			UNC1X	1L5XX	\$0.3415													
		Interoffice Transport - Dedicated - DS1 combination - Facility Termination Per Month			UNC1X	U1TF1	\$77.14													
		Nonrecurring Currently Combined Network Elements Switch -As-Is Charge			UNC1X	UNCCC		\$11.21	\$11.21	\$13.99	\$13.99	\$3.5		\$31.38	\$31.38	\$3.94	\$3.94			
		4-WIRE DS1 DIGITAL EXTENDED LOOP WITH DEDICATED DS3 INTEROFFICE TRANSPORT (EEL)																		
		First DS1Loop in DS3 Interoffice Transport Combination - Zone 1		1	UNC1X	USLXX	\$113.59													
		First DS1Loop in DS3 Interoffice Transport Combination - Zone 2		2	UNC1X	USLXX	\$194.29													
		First DS1Loop in DS3 Interoffice Transport Combination - Zone 3		3	UNC1X	USLXX	\$327.36													
		Interoffice Transport - Dedicated - DS3 combination - Per Mile Per Month			UNC3X	1L5XX	\$8.02													
		Interoffice Transport - Dedicated - DS3 - Facility Termination per month			UNC3X	U1TF3	\$880.85													
		DS3 to DS1 Channel System combination per month			UNC3X	MQ3	\$180.03													
		DS3 Interface Unit (DS1 COCI) combination per month			UNC1X	UC1D1	\$10.8													
		Additional DS1Loop in DS3 Interoffice Transport Combination - Zone 1		1	UNC1X	USLXX	\$113.59													
		Additional DS1Loop in DS3 Interoffice Transport Combination - Zone 2		2	UNC1X	USLXX	\$194.29													
		Additional DS1Loop in DS3 Interoffice Transport Combination - Zone 3		3	UNC1X	USLXX	\$327.36													
		DS3 Interface Unit (DS1 COCI) combination per month			UNC1X	UC1D1	\$10.8													
		Nonrecurring Currently Combined Network Elements Switch -As-Is Charge			UNC3X	UNCCC		\$11.21	\$11.21	\$13.99	\$13.99	\$3.5		\$31.38	\$31.38	\$3.94	\$3.94			
		2-WIRE VOICE GRADE EXTENDED LOOP/ 2 WIRE VOICE GRADE INTEROFFICE TRANSPORT (EEL)																		
		2-WireVG Loop used with 2-wire VG Interoffice Transport Combination - Zone 1		1	UNCVX	UEAL2	\$20.85													
		2-WireVG Loop used with 2-wire VG Interoffice Transport Combination - Zone 2		2	UNCVX	UEAL2	\$28.91													
		2-WireVG Loop used with 2-wire VG Interoffice Transport Combination - Zone 3		3	UNCVX	UEAL2	\$35.57													

BELLSOUTH / METROMEDIA FIBER NETWORK SERVICES RATES
Unbundled Network Elements
SOUTH CAROLINA

CATEGORY	NOTES	UNBUNDLED NETWORK ELEMENT	Interim	Zone	BCS	USOC	RATES				OSS RATES									
							Rec	Nonrecurring	Add'l	First	Add'l	SOMEc	SOMAN	SOMAN	SOMAN	SOMAN	SOMAN	SOMAN		
																			Nonrecurring	Disconnect
		Interoffice Transport - Dedicated - 2-wire VG combination - Per Mile Per Month			UNCVX	1L5XX	\$0.0167													
		Interoffice Transport - Dedicated - 2- Wire Voice Grade combination - Facility Termination per month			UNCVX	U1TV2	\$24.3													
		Nonrecurring Currently Combined Network Elements Switch -As-Is Charge			UNCVX	UNCCC		\$11.21	\$11.21	\$13.99	\$13.99	\$3.5		\$31.38	\$31.38	\$3.94	\$3.94			
		4-WIRE VOICE GRADE EXTENDED LOOP/ 4 WIRE VOICE GRADE INTEROFFICE TRANSPORT (EEL)																		
		4-WireVG Loop used with 4-wire VG Interoffice Transport Combination - Zone 1		1	UNCVX	UEAL4	\$40.74													
		4-WireVG Loop used with 4-wire VG Interoffice Transport Combination - Zone 2		2	UNCVX	UEAL4	\$54.86													
		4-WireVG Loop used with 4-wire VG Interoffice Transport Combination - Zone 3		3	UNCVX	UEAL4	\$54.23													
		Interoffice Transport - Dedicated - 4-wire VG combination - Per Mile Per Month			UNCVX	1L5XX	\$0.0167													
		Interoffice Transport - Dedicated - 4- Wire Voice Grade combination - Facility Termination per month			UNCVX	U1TV4	\$21.29													
		Nonrecurring Currently Combined Network Elements Switch -As-Is Charge			UNCVX	UNCCC		\$11.21	\$11.21	\$13.99	\$13.99	\$3.5		\$31.38	\$31.38	\$3.94	\$3.94			
		DS3 DIGITAL EXTENDED LOOP WITH DEDICATED DS3 INTEROFFICE TRANSPORT (EEL)																		
		High Capacity Unbundled Local Loop - DS3 combination - Per Mile per month			UNC3X	1L5ND	\$15.33													
		High Capacity Unbundled Local Loop - DS3 combination - Facility Termination per month			UNC3X	UE3PX	\$382.95													
		Interoffice Transport - Dedicated - DS3 - Per Mile per month			UNC3X	1L5XX	\$8.02													
		Interoffice Transport - Dedicated - DS3 combination - Facility Termination per month			UNC3X	U1TF3	\$880.65													
		Nonrecurring Currently Combined Network Elements Switch -As-Is Charge			UNC3X	UNCCC		\$11.21	\$11.21	\$13.99	\$13.99	\$3.5		\$31.38	\$31.38	\$3.94	\$3.94			
		STS1 DIGITAL EXTENDED LOOP WITH DEDICATED STS1 INTEROFFICE TRANSPORT (EEL)																		
		High Capacity Unbundled Local Loop - STS1 combination - Per Mile per month			UNCSX	1L5ND	\$15.33													
		High Capacity Unbundled Local Loop - STS1 combination - Facility Termination per month			UNCSX	UDLS1	\$391.86													
		Interoffice Transport - Dedicated - STS1 combination - Per Mile per month			UNCSX	1L5XX	\$8.02													
		Interoffice Transport - Dedicated - STS1 combination - Facility Termination per month			UNCSX	U1TFS	\$880.55													
		Nonrecurring Currently Combined Network Elements Switch -As-Is Charge			UNCSX	UNCCC		\$11.21	\$11.21	\$13.99	\$13.99	\$3.5		\$31.38	\$31.38	\$3.94	\$3.94			
		2-WIRE ISDN EXTENDED LOOP WITH DS1 INTEROFFICE TRANSPORT (EEL)																		
		First 2-Wire ISDN Loop/DS1 Interoffice Combination Transport - Zone 1		1	UNCNX	U1L2X	\$31.51													
		First 2-Wire ISDN Loop/DS1 Interoffice Combination Transport - Zone 2		2	UNCNX	U1L2X	\$40.95													
		First 2-Wire ISDN Loop/DS1 Interoffice Combination Transport - Zone 3		3	UNCNX	U1L2X	\$47.12													
		Interoffice Transport - Dedicated - DS1 combination - Per Mile			UNC1X	1L5XX	\$0.3415													
		Interoffice Transport - Dedicated - DS1 combination - Facility Termination per month			UNC1X	U1TF1	\$77.14													
		Channelization - Channel System DS1 to DS0 combination - per month			UNC1X	MQ1	\$134.46													
		2-wire ISDN COCI (BRITE) - DS1 to DS0 Channel System combination - per month			UNCNX	UC1CA	\$3.2													
		Additional 2-wire ISDN Loop in same DS1Interoffice Transport Combination - Zone 1		1	UNCNX	U1L2X	\$31.51													
		Additional 2-wire ISDN Loop in same DS1Interoffice Transport Combination - Zone 2		2	UNCNX	U1L2X	\$40.95													

BELLSOUTH / METROMEDIA FIBER NETWORK SERVICES RATES
Unbundled Network Elements
SOUTH CAROLINA

CATEGORY	NOTES	UNBUNDLED NETWORK ELEMENT	Interim	Zone	BCS	USOC	RATES				OSS RATES								
							Rec	First	Add'l	First	Add'l	SOMEc	SOMAN	SOMAN	SOMAN	SOMAN	SOMAN		
																		Nonrecurring	Nonrecurring
		Additional 2-wire ISDN Loop in same DS1 Interoffice Transport Combination - Zone 3		3	UNCNX	U1L2X	\$47.12												
		2-wire ISDN COCI (BRITE) - DS1 to DS0 Channel System combination per month			UNCNX	UC1CA	\$3.2												
		Nonrecurring Currently Combined Network Elements Switch -As-Is Charge			UNC1X	UNCCC		\$11.21	\$11.21	\$13.99	\$13.99	\$3.5		\$31.38	\$31.38	\$31.38	\$31.38	\$3.94	
		4-WIRE DS1 DIGITAL EXTENDED LOOP WITH DEDICATED STS-1 INTEROFFICE TRANSPORT (EEL)																	
		First DS1 Loop in STS1 Interoffice Transport Combination - Zone 1		1	UNC1X	USLXX	\$113.59												
		First DS1 Loop in STS1 Interoffice Transport Combination - Zone 2		2	UNC1X	USLXX	\$194.29												
		First DS1 Loop in STS1 Interoffice Transport Combination - Zone 3		3	UNC1X	USLXX	\$327.36												
		Interoffice Transport - Dedicated - STS1 combination - Per Mile Per Month			UNCSX	1L5XX	\$8.02												
		Interoffice Transport - Dedicated - STS1 combination - Facility Termination			UNCSX	U1TFS	\$880.55												
		STS1 to DS1 Channel System combination per month			UNCSX	MQ3	\$180.03												
		DS3 Interface Unit (DS1 COCI) combination per month			UNC1X	UC1D1	\$10.8												
		Additional DS1 Loop in STS1 Interoffice Transport Combination - Zone 1		1	UNC1X	USLXX	\$113.59												
		Additional DS1 Loop in STS1 Interoffice Transport Combination - Zone 2		2	UNC1X	USLXX	\$194.29												
		Additional DS1 Loop in STS1 Interoffice Transport Combination - Zone 3		3	UNC1X	USLXX	\$327.36												
		DS3 Interface Unit (DS1 COCI) combination per month			UNC1X	UC1D1	\$10.8												
		Nonrecurring Currently Combined Network Elements Switch -As-Is Charge			UNCSX	UNCCC		\$11.21	\$11.21	\$13.99	\$13.99	\$3.5		\$31.38	\$31.38	\$31.38	\$3.94	\$3.94	
		4-WIRE 56 KBPS DIGITAL EXTENDED LOOP WITH 56 KBPS INTEROFFICE TRANSPORT (EEL)																	
		4-wire 56 kbps Loop/4-wire 56 kbps Interoffice Transport Combination - Zone 1		1	UNCDX	UDL56	\$37.41												
		4-wire 56 kbps Loop/4-wire 56 kbps Interoffice Transport Combination - Zone 2		2	UNCDX	UDL56	\$42.49												
		4-wire 56 kbps Loop/4-wire 56 kbps Interoffice Transport Combination - Zone 3		3	UNCDX	UDL56	\$43.43												
		Interoffice Transport - Dedicated - 4-wire 56 kbps combination - Per Mile			UNCDX	1L5XX	\$0.0167												
		Interoffice Transport - Dedicated - 4-wire 56 kbps combination - Facility Termination			UNCDX	U1TD5	\$16.76												
		Nonrecurring Currently Combined Network Elements Switch -As-Is Charge			UNCDX	UNCCC		\$11.21	\$11.21	\$13.99	\$13.99	\$3.5		\$31.38	\$31.38	\$31.38	\$3.94	\$3.94	
		4-WIRE 64 KBPS DIGITAL EXTENDED LOOP WITH 64 KBPS INTEROFFICE TRANSPORT (EEL)																	
		4-wire 64 kbps Loop/4-wire 64 kbps Interoffice Transport Combination - Zone 1		1	UNCDX	UDL64	\$37.41												
		4-wire 64 kbps Loop/4-wire 64 kbps Interoffice Transport Combination - Zone 2		2	UNCDX	UDL64	\$42.49												
		4-wire 64 kbps Loop/4-wire 64 kbps Interoffice Transport Combination - Zone 3		3	UNCDX	UDL64	\$43.43												
		Interoffice Transport - Dedicated - 4-wire 64 kbps combination - Per Mile			UNCDX	1L5XX	\$0.0167												
		Interoffice Transport - Dedicated - 4-wire 64 kbps combination - Facility Termination			UNCDX	U1TD6	\$16.76												
		Nonrecurring Currently Combined Network Elements Switch -As-Is Charge			UNCDX	UNCCC		\$11.21	\$11.21	\$13.99	\$13.99	\$3.5		\$31.38	\$31.38	\$31.38	\$3.94	\$3.94	
		ADDITIONAL NETWORK ELEMENTS																	
		When used as a part of a currently combined facility, the non-recurring charges do not apply, but a Switch As Is charge does apply.																	
		When used as ordinarily combined network elements in Georgia, the non-recurring charges apply and the Switch As Is Charge does not.																	
		Node (SynchroNet)																	

BELLSOUTH / METROMEDIA FIBER NETWORK SERVICES RATES
Unbundled Network Elements
SOUTH CAROLINA

CATEGORY	NOTES	UNBUNDLED NETWORK ELEMENT	Interim	Zone	BCS	USOC	RATES				OSS RATES							
							Rec	Nonrecurring		Disconnect	Svc Order Submitted Elec per LSR	Svc Order Submitted Manually per LSR	Incremental Charge - Manual Svc Order vs. Electronic-1st	Incremental Charge - Manual Svc Order vs. Electronic-Add'l	Incremental Charge - Manual Svc Order vs. Electronic-Disc 1st	Incremental Charge - Manual Svc Order vs. Electronic-Disc Add'l		
								First	Add'l								First	Add'l
								SOME	SOMAN								SOMAN	SOMAN
		Node per month			UNCDX	UNCNT	\$14.55											
		Nonrecurring Currently Combined Network Elements "Switch As Is" Charge (One applies to each combination)																
		2/4-Wire VG Interoffice Channel used in a COMBINATION - "Switch As Is" Conversion Charge			UNCVX	UNCCC	\$11.21	\$11.21	\$13.99	\$13.99	\$3.5		\$31.38	\$31.38	\$3.94	\$3.94		
		56/64 kbps Interoffice Channel used in a COMBINATION - "Switch As Is" Conversion Charge			UNCDX	UNCCC	\$11.21	\$11.21	\$13.99	\$13.99	\$3.5		\$31.38	\$31.38	\$3.94	\$3.94		
		DS1 Interoffice Channel used in a COMBINATION - "Switch As Is" Conversion Charge			UNC1X	UNCCC	\$11.21	\$11.21	\$13.99	\$13.99	\$3.5		\$31.38	\$31.38	\$3.94	\$3.94		
		DS3 Interoffice Channel used in a COMBINATION - "Switch As Is" Conversion Charge			UNC3X	UNCCC	\$11.21	\$11.21	\$13.99	\$13.99	\$3.5		\$31.38	\$31.38	\$3.94	\$3.94		
		STS1 Interoffice or Local Loop used in a COMBINATION - "Switch As Is" Conversion Charge			UNCSX	UNCCC	\$11.21	\$11.21	\$13.99	\$13.99	\$3.5		\$31.38	\$31.38	\$3.94	\$3.94		
		NOTE: Local Channel - Dedicated Transport - minimum billing period - Below DS3=one month, DS3 and above=four months																
		Local Channel - Dedicated - 2-Wire Voice Grade per month			UNCXV	ULDV2	\$15.33											
		Local Channel - Dedicated - 4-Wire Voice Grade per month			UNCXV	ULDV4	\$16.54											
		Local Channel - Dedicated - DS1 per month Zone 1		1	UNC1X	ULDF1	\$42.62											
		Local Channel - Dedicated - DS1 Per Month Zone 2		2	UNC1X	ULDF1	\$70.32											
		Local Channel - Dedicated - DS1- Per Month Zone 3		3	UNC1X	ULDF1	\$190.68											
		Local Channel - Dedicated - DS3 - Per Mile per month			UNC3X	1LSNC	\$11.93											
		Local Channel - Dedicated - DS3 - Facility Termination per month			UNC3X	ULDF3	\$446.											
		Local Channel - Dedicated - STS-1- Per Mile per month			UNCSX	1LSNC	\$11.93											
		Local Channel - Dedicated - STS-1 - Facility Termination per month			UNCSX	ULDFS	\$435.1											

BELLSOUTH / METROMEDIA FIBER NETWORK SERVICES RATES
Unbundled Network Elements
TENNESSEE

CATEGORY	NOTES	UNBUNDLED NETWORK ELEMENT	Interim	Zone	BCS	USOC	RATES					OSS RATES						
							Rec	First	Add'l	First	Add'l	Disconnect	SOMEc	SOMAN	SOMAN	SOMAN	SOMAN	SOMAN
Geographically Deaveraged UNE Zones and applicable rates have been established for certain services, as shown in this Agreement. Where Geographically Deaveraged UNE Zones and applicable rates are established, Statewide rates are obsolete. Further, BellSouth is in the process of enhancing its billing systems in order to accommodate this Geographically Deaveraged UNE Zone Rate Structure. Until these enhancements are accomplished, estimated to be mid 2001, the UNE Zone 1 rate will be billed for all services residing in Zones 1, 2, 3 or 4, i.e., Rates for services residing in UNE Zones 2, 3 and UNE Zone 4, where applicable, will not be billed. Once billing enhancements are complete, all applicable UNE Zone rates reflected in this Agreement will be billed. Reference Internet Website http://www.interconnection.bellsouth.com/become_clec/docs/interconnection/deavuzns.pdf to view Geographically Deaveraged UNE Zone Designations by Central Office.																		
UNBUNDLED EXCHANGE ACCESS LOOP																		
2-WIRE ANALOG VOICE GRADE LOOP																		
		2-Wire Analog Voice Grade Loop - Service Level 1- Zone 1		1	UEANL	UEAL2	\$15.92	\$78.93	\$50.98	\$10.65	\$1.41			\$20.35	\$10.54	\$13.32	\$13.32	
		2-Wire Analog Voice Grade Loop - Service Level 1- Zone 2		2	UEANL	UEAL2	\$20.79	\$78.93	\$50.98	\$10.65	\$1.41			\$20.35	\$10.54	\$13.32	\$13.32	
		2-Wire Analog Voice Grade Loop - Service Level 1- Zone 3		3	UEANL	UEAL2	\$27.18	\$78.93	\$50.98	\$10.65	\$1.41			\$20.35	\$10.54	\$13.32	\$13.32	
		Engineering Information Document (EI)			UEANL			\$28.80	\$28.80									
		Manual Order Coordination for UVL-SL1s (per loop)*			UEANL	UEAMC		\$36.46	\$36.46									
		Order Coordination for Specified Conversion Time for UVL-SL1 (per LSR) *			UEANL	OCOSL		\$34.29	\$34.29									
		2-Wire Analog Voice Grade Loop - Service Level 2 w/Loop or Ground Start Signaling - Zone 1		1	UEA	UEAL2	\$16.56	\$75.06	\$48.20	\$28.70	\$17.64			\$20.35	\$10.54	\$13.32		
		2-Wire Analog Voice Grade Loop - Service Level 2 w/Loop or Ground Start Signaling - Zone 2		2	UEA	UEAL2	\$21.63	\$75.06	\$48.20	\$28.70	\$17.64			\$20.35	\$10.54	\$13.32		
		2-Wire Analog Voice Grade Loop - Service Level 2 w/Loop or Ground Start Signaling - Zone 3		3	UEA	UEAL2	\$28.28	\$75.06	\$48.20	\$28.70	\$17.64			\$20.35	\$10.54	\$13.32		
		Order Coordination for Specified Conversion Time (per LSR)			UEA	OCOSL		\$34.29										
		2-Wire Analog Voice Grade Loop - Service Level 2 w/Reverse Battery Signaling - Zone 1		1	UEA	UEAR2	\$16.56	\$75.06	\$48.20	\$28.70	\$17.64			\$20.35	\$10.54	\$13.32		
		2-Wire Analog Voice Grade Loop - Service Level 2 w/Reverse Battery Signaling - Zone 2		2	UEA	UEAR2	\$21.63	\$75.06	\$48.20	\$28.70	\$17.64			\$20.35	\$10.54	\$13.32		
		2-Wire Analog Voice Grade Loop - Service Level 2 w/Reverse Battery Signaling - Zone 3		3	UEA	UEAR2	\$28.28	\$75.06	\$48.20	\$28.70	\$17.64			\$20.35	\$10.54	\$13.32		
		Order Coordination for Specified Conversion Time (per LSR)			UEA	OCOSL		\$34.29										
4-WIRE ANALOG VOICE GRADE LOOP																		
		4-Wire Analog Voice Grade Loop - Zone 1		1	UEA	UEAL4	\$24.70	\$122.76	\$85.57	\$76.35	\$39.16			\$20.35	\$10.54	\$13.32		
		4-Wire Analog Voice Grade Loop - Zone 2		2	UEA	UEAL4	\$32.25	\$122.76	\$85.57	\$76.35	\$39.16			\$20.35	\$10.54	\$13.32		
		4-Wire Analog Voice Grade Loop - Zone 3		3	UEA	UEAL4	\$42.17	\$122.76	\$85.57	\$76.35	\$39.16			\$20.35	\$10.54	\$13.32		
		Order Coordination for Specified Conversion Time (per LSR)			UEA	OCOSL		\$34.29										
2-WIRE ISDN DIGITAL GRADE LOOP																		
		2-Wire ISDN Digital Grade Loop - Zone 1		1	UDN	U1L2X	\$22.00	\$142.76	\$88.88	\$76.35	\$39.16			\$20.35	\$10.54	\$13.32		
		2-Wire ISDN Digital Grade Loop - Zone 2		2	UDN	U1L2X	\$29.02	\$142.76	\$88.88	\$76.35	\$39.16			\$20.35	\$10.54	\$13.32		
		2-Wire ISDN Digital Grade Loop - Zone 3		3	UDN	U1L2X	\$37.95	\$142.76	\$88.88	\$76.35	\$39.16			\$20.35	\$10.54	\$13.32		
		Order Coordination For Specified Conversion Time (per LSR)			UDN	OCOSL		\$34.29										
2-WIRE Universal Digital Channel (UDC) COMPATIBLE LOOP																		
		2-Wire Universal Digital Channel (UDC) Compatible Loop - Zone 1		1	UDC	UDC2X	\$21.15	\$228.92	\$152.42	\$110.01	\$21.63			\$20.35	\$10.54	\$13.32		
		2-Wire Universal Digital Channel (UDC) Compatible Loop - Zone 2		2	UDC	UDC2X	\$27.62	\$228.92	\$152.42	\$110.01	\$21.63			\$20.35	\$10.54	\$13.32		
		2-Wire Universal Digital Channel (UDC) Compatible Loop - Zone 3		3	UDC	UDC2X	\$36.12	\$228.92	\$152.42	\$110.01	\$21.63			\$20.35	\$10.54	\$13.32		
2-WIRE ASYMMETRICAL DIGITAL SUBSCRIBER LINE (ADSL) COMPATIBLE LOOP																		
		2 Wire Unbundled ADSL Loop including manual service inquiry & facility reservation - Zone 1		1	UAL	UAL2X	\$13.82	\$270.01	\$234.63	\$74.54	\$39.14			\$20.35	\$10.54	\$13.32		
		2 Wire Unbundled ADSL Loop including manual service inquiry & facility reservation - Zone 2		2	UAL	UAL2X	\$18.05	\$270.01	\$234.63	\$74.54	\$39.14			\$20.35	\$10.54	\$13.32		
		2 Wire Unbundled ADSL Loop including manual service inquiry & facility reservation - Zone 3		3	UAL	UAL2X	\$23.60	\$270.01	\$234.63	\$74.54	\$39.14			\$20.35	\$10.54	\$13.32		
		Order Coordination for Specified Conversion Time (per LSR)			UAL	OCOSL		\$34.29										
		2 Wire Unbundled ADSL Loop without manual service inquiry & facility reservatoin - Zone 1	I	1	UAL	UAL2W	\$13.82	\$31.99	\$20.02	\$10.65	\$1.41			\$20.35	\$10.54	\$13.32		
		2 Wire Unbundled ADSL Loop without manual service inquiry & facility reservatoin - Zone 2	I	2	UAL	UAL2W	\$18.05	\$31.99	\$20.02	\$10.65	\$1.41			\$20.35	\$10.54	\$13.32		

BELLSOUTH / METROMEDIA FIBER NETWORK SERVICES RATES
Unbundled Network Elements
TENNESSEE

CATEGORY	NOTES	UNBUNDLED NETWORK ELEMENT	Interim	Zone	BCS	USOC	RATES					OSS RATES										
							Rec	First	Add'l	First	Add'l	SOME C	SOMAN	SOMAN	SOMAN	SOMAN	SOMAN	SOMAN				
																			Nonrecurring		Nonrecurring	
																			Disconnect		Disconnect	
		2 Wire Unbundled ADSL Loop without manual service inquiry & facility reservation - Zone 3 Order Coordination for Specified Conversion Time (per LSR)	I	3	UAL UAL	UAL2W OCOSL	\$23.6	\$31.99 \$34.29	\$20.02	\$10.65	\$1.41			\$20.35	\$10.54	\$13.32						
		2-WIRE HIGH BIT RATE DIGITAL SUBSCRIBER LINE (HDSL) COMPATIBLE LOOP																				
		2-WIRE HIGH BIT RATE DIGITAL SUBSCRIBER LINE (HDSL) COMPATIBLE LOOP																				
		2 Wire Unbundled HDSL Loop including manual service inquiry & facility reservation - Zone 1		1	UHL	UHL2X	\$10.83	\$270.01	\$234.63	\$74.54	\$39.14			\$20.35	\$10.54	\$13.32						
		2 Wire Unbundled HDSL Loop including manual service inquiry & facility reservation - Zone 2		2	UHL	UHL2X	\$14.15	\$270.01	\$234.63	\$74.54	\$39.14			\$20.35	\$10.54	\$13.32						
		2 Wire Unbundled HDSL Loop including manual service inquiry & facility reservation - Zone 3 Order Coordination for Specified Conversion Time		3	UHL UHL	UHL2X OCOSL	\$18.50	\$270.01 \$34.29	\$234.63	\$74.54	\$39.14			\$20.35	\$10.54	\$13.32						
		2 Wire Unbundled HDSL Loop without manual service inquiry and facility reservation - Zone 1	I	1	UHL	UHL2W	\$10.83	\$31.99	\$20.02	\$10.65	\$1.41			\$20.35	\$10.54	\$13.32						
		2 Wire Unbundled HDSL Loop without manual service inquiry and facility reservation - Zone 2	I	2	UHL	UHL2W	\$14.15	\$31.99	\$20.02	\$10.65	\$1.41			\$20.35	\$10.54	\$13.32						
		2 Wire Unbundled HDSL Loop without manual service inquiry and facility reservation - Zone 3 Order Coordination for Specified Conversion Time	I	3	UHL UHL	UHL2W OCOSL	\$18.50	\$31.99 \$34.29	\$20.02	\$10.65	\$1.41			\$20.35	\$10.54	\$13.32						
		4-WIRE HIGH BIT RATE DIGITAL SUBSCRIBER LINE (HDSL) COMPATIBLE LOOP																				
		4 Wire Unbundled HDSL Loop including manual service inquiry and facility reservation - Zone 1		1	UHL	UHL4X	\$13.93	\$279.60	\$244.22	\$74.54	\$39.14			\$20.35	\$10.54	\$13.32						
		4-Wire Unbundled HDSL Loop including manual service inquiry and facility reservation - Zone 2		2	UHL	UHL4X	\$18.20	\$279.60	\$244.22	\$74.54	\$39.14			\$20.35	\$10.54	\$13.32						
		4-Wire Unbundled HDSL Loop including manual service inquiry and facility reservation - Zone 3 Order Coordination for Specified Conversion Time		3	UHL UHL	UHL4X OCOSL	\$23.80	\$279.60 \$34.29	\$244.22	\$74.54	\$39.14			\$20.35	\$10.54	\$13.32						
		4-Wire Unbundled HDSL Loop without manual service inquiry and facility reservation - Zone 1	I	1	UHL	UHL4W	\$13.93	\$31.99	\$20.02	\$10.65	\$1.41			\$20.35	\$10.54	\$13.32						
		4-Wire Unbundled HDSL Loop without manual service inquiry and facility reservation - Zone 2	I	2	UHL	UHL4W	\$18.2	\$31.99	\$20.02	\$10.65	\$1.41			\$20.35	\$10.54	\$13.32						
		4-Wire Unbundled HDSL Loop without manual service inquiry and facility reservation - Zone 3 Order Coordination for Specified Conversion Time	I	3	UHL UHL	UHL4W OCOSL	\$23.80	\$31.99 \$34.29	\$20.02	\$10.65	\$1.41			\$20.35	\$10.54	\$13.32						
		4-WIRE DS1 DIGITAL LOOP																				
		4-Wire DS1 Digital Loop - Zone 1		1	USL	USLXX	\$57.73	\$313.08	\$219.72	\$96.86	\$40.45			\$18.98	\$8.43	\$11.95						
		4-Wire DS1 Digital Loop - Zone 2		2	USL	USLXX	\$75.40	\$313.08	\$219.72	\$96.86	\$40.45			\$18.98	\$8.43	\$11.95						
		4-Wire DS1 Digital Loop - Zone 3 Order Coordination for Specified Conversion Time		3	USL USL	USLXX OCOSL	\$98.59	\$313.08 \$34.59	\$219.72	\$96.86	\$40.45			\$18.98	\$8.43	\$11.95						
		4-WIRE 19.2, 56 OR 64 KBPS DIGITAL GRADE LOOP																				
		4 Wire Unbundled Digital 19.2 Kbps		1	UDL	UDL19	\$31.1	\$207.01	\$141.38	\$90.7				\$20.35	\$10.54	\$13.32						
		4 Wire Unbundled Digital 19.2 Kbps		2	UDL	UDL19	\$40.61	\$207.01	\$141.38	\$90.7	\$44.18			\$20.35	\$10.54	\$13.32						
		4 Wire Unbundled Digital 19.2 Kbps		3	UDL	UDL19	\$53.11	\$207.01	\$141.38	\$90.7	\$44.18			\$20.35	\$10.54	\$13.32						
		4 Wire Unbundled Digital Loop 56 Kbps - Zone 1		1	UDL	UDL56	\$31.10	\$207.01	\$141.38	\$90.70	\$44.18			\$20.35	\$10.54	\$13.32						
		4 Wire Unbundled Digital Loop 56 Kbps - Zone 2		2	UDL	UDL56	\$40.61	\$207.01	\$141.38	\$90.70	\$44.18			\$20.35	\$10.54	\$13.32						
		4 Wire Unbundled Digital Loop 56 Kbps - Zone 3 Order Coordination for Specified Conversion Time		3	UDL UDL	UDL56 OCOSL	\$53.11	\$207.01 \$34.29	\$141.38	\$90.70	\$44.18			\$20.35	\$10.54	\$13.32						
		4 Wire Unbundled Digital Loop 64 Kbps - Zone 1		1	UDL	UDL64	\$31.10	\$207.01	\$141.38	\$90.70	\$44.18			\$20.35	\$10.54	\$13.32						
		4 Wire Unbundled Digital Loop 64 Kbps - Zone 2		2	UDL	UDL64	\$40.61	\$207.01	\$141.38	\$90.70	\$44.18			\$20.35	\$10.54	\$13.32						
		4 Wire Unbundled Digital Loop 64 Kbps - Zone 3 Order Coordination for Specified Conversion Time		3	UDL UDL	UDL64 OCOSL	\$53.11	\$207.01 \$34.29	\$141.38	\$90.70	\$44.18			\$20.35	\$10.54	\$13.32						
		2-WIRE UNBUNDLED COPPER LOOP																				
		2 Wire Unbundled Copper Loop/Short including manual service inquiry & fac. reservation - Statewide Order Coordination for Unbundled Copper Loops (per loop)	I	sw	UCL UCL	UCLPB UCLMC	\$12.16	\$131.99 \$36.52	\$120.02 \$36.52	\$10.65	\$1.41			\$20.35	\$10.54	\$13.32						
		2-Wire Unbundled Copper Loop/Short without manual svc. inquiry and facility reservation - Statewide	I	sw	UCL	UCLPW	\$12.16	\$31.99	\$20.02	\$10.65	\$1.41			\$20.35	\$10.54	\$13.32						

BELLSOUTH / METROMEDIA FIBER NETWORK SERVICES RATES
Unbundled Network Elements
TENNESSEE

CATEGORY	NOTES	UNBUNDLED NETWORK ELEMENT				RATES					OSS RATES					
		Interim	Zone	BCS	USOC	Rec	Nonrecurring		Disconnect	Add'l	SOME C	SOMAN	SOMAN	SOMAN	SOMAN	SOMAN
							First	Add'l								
							First	Add'l								
	Order Coordination for Unbundled Copper Loops (per loop)			UCL	UCLMC		\$36.52	\$36.52								
	2-Wire Unbundled Copper Loop/Long - includes manual svc inquiry and facility reservation - Statewide	I	sw	UCL	UCL2L	\$12.16	\$131.99	\$120.02	\$10.65	\$1.41			\$20.35	\$10.54	\$13.32	
	Order Coordination for Unbundled Copper Loops (per loop)			UCL	UCLMC		\$36.52	\$36.52								
	2-Wire Unbundled Copper Loop/Long - without manual svc. inquiry and facility reservation - Statewide	I	sw	UCL	UCL2W	\$12.16	\$31.99	\$20.02	\$10.65	\$1.41			\$20.35	\$10.54	\$13.32	
	Order Coordination for Unbundled Copper Loops (per loop)			UCL	UCLMC		\$36.52	\$36.52								
	2-Wire Unbundled Copper Loop - Non-Designed Zone 1	I	1	UEQ	UEQ2X	\$13.19	\$31.99	\$20.02	\$10.65	\$1.41		\$19.99				
	2 Wire Unbundled Copper Loop - Non-Designed - Zone 2	I	2	UEQ	UEQ2X	\$17.23	\$31.99	\$20.02	\$10.65	\$1.41		\$19.99				
	2 Wire Unbundled Copper Loop - Non-Designed - Zone 3	I	3	UEQ	UEQ2X	\$22.53	\$31.99	\$20.02	\$10.65	\$1.41		\$19.99				
	Order Coordination 2 Wire Unbundled Copper Loop - Non-Designed (per loop)			UEQ	USBMC		\$36.46	\$36.46								
	Engineering Information Document			UEQ			\$28.80	\$28.80								
	Loop Testing - Basic 1st Half Hour			UEQ	URET1		\$78.92	\$78.92								
	Loop Testing - Basic Additional Half Hour			UEQ	URETA		\$23.33	\$23.33								
	4-WIRE COPPER LOOP															
	4-Wire Copper Loop/Short - including manual service inquiry and facility reservation - Statewide	I	sw	UCL	UCL4S	\$12.16	\$131.99	\$120.02	\$10.65	\$1.41			\$20.35	\$10.54	\$13.32	
	Order Coordination for Unbundled Copper Loops (per loop)			UCL	UCLMC		\$36.52	\$36.52								
	4-Wire Copper Loop/Short - without manual service inquiry and facility reservation - Statewide	I	sw	UCL	UCL4W	\$12.16	\$31.99	\$20.02	\$10.65	\$1.41			\$20.35	\$10.54	\$13.32	
	Order Coordination for Unbundled Copper Loops (per loop)			UCL	UCLMC		\$36.52	\$36.52								
	4-Wire Unbundled Copper Loop/Long - includes manual svc inquiry and facility reservation - Statewide	I	sw	UCL	UCL4L	\$12.15	\$131.99	\$120.02	\$10.65	\$1.41			\$20.35	\$10.54	\$13.32	
	Order Coordination for Unbundled Copper Loops (per loop)			UCL	UCLMC		\$36.52	\$36.52								
	4-Wire Unbundled Copper Loop/Long - without manual svc. inquiry and facility reservation - Statewide	I	sw	UCL	UCL4O	\$12.16	\$31.99	\$20.02	\$10.65	\$1.41			\$20.35	\$10.54	\$13.32	
	Order Coordination for Unbundled Copper Loops (per loop)			UCL	UCLMC		\$36.52	\$36.52								
	LOOP MODIFICATION															
	Unbundled Loop Modification, Removal of Load Coils - 2 Wire pair less than or equal to 18k ft	I		UAL, UHL, UCL, UEQ	ULM2L		\$65.40	\$65.40								
	Unbundled Loop Modification, Removal of Load Coils - 2 wire greater than 18k ft	I		UCL	ULM2G		\$710.71	\$23.77								
	Unbundled Loop Modification Removal of Load Coils - 4 Wire less than or equal to 18K ft	I		UHL, UCL	ULM4L		\$65.40	\$65.40								
	Unbundled Loop Modification Removal of Load Coils - 4 Wire pair greater than 18k ft	I		UCL	ULM4G		\$710.71	\$23.77								
	Unbundled Loop Modification Removal of Bridged Tap Removal, per unbundled loop	I		UAL, UHL, UCL, UEQ, UEF	ULMBT		\$65.44	\$65.44								
	SUB-LOOPS															
	Sub-Loop Distribution															
	Sub-Loop - Per Cross Box Location - CLEC Feeder Facility Set-Up	I		UEANL	USBSA		\$517.25	\$517.25					\$20.35	\$10.54	\$13.32	
	Sub-Loop - Per Cross Box Location - Per 25 Pair Panel Set-Up	I		UEANL	USBSB		\$42.68	\$42.68					\$20.35	\$10.54	\$13.32	
	Sub-Loop - Per Building Equipment Room - CLEC Feeder Facility Set-Up	I		UEANL	USBSC		\$313.01	\$313.01					\$20.35	\$10.54	\$13.32	
	Sub-Loop - Per Building Equipment Room - Per 25 Pair Panel Set-Up	I		UEANL	USBSD		\$108.06	\$108.06					\$20.35	\$10.54	\$13.32	
	Sub-Loop Distribution Per 2-Wire Analog Voice Grade Loop - Statewide		sw	UEANL	USBN2	\$10.02	\$148.84	\$112.34	\$73.14	\$36.65			\$20.35	\$10.54	\$13.32	
	Order Coordination for Unbundled Sub-Loops, per sub-loop pair			UEANL	USBMC		\$34.29	\$34.29								
	Sub-Loop Distribution Per 4-Wire Analog Voice Grade Loop - Zone 1		1	UEANL	USBN4	\$7.30	\$147.93	\$75.11	\$99.96	\$16.98			\$19.99	\$13.32		
	Sub-Loop Distribution Per 4-Wire Analog Voice Grade Loop - Zone 2		2	UEANL	USBN4	\$9.54	\$147.93	\$75.11	\$99.96	\$16.98			\$19.99	\$13.32		
	Sub-Loop Distribution Per 4-Wire Analog Voice Grade Loop - Zone 3		3	UEANL	USBN4	\$12.47	\$147.93	\$75.11	\$99.96	\$16.98			\$19.99	\$13.32		
	Order Coordination for Unbundled Sub-Loops, per sub-loop pair			UEANL	USBMC		\$34.29	\$34.29								
	Sub-Loop 2-Wire Intra-building Network Cable (INC)	I		UEANL	USBR2	\$1.35	\$94.56	\$29.35	\$94.41	\$13.09			\$19.99		\$13.32	
	Order Coordination for Unbundled Sub-Loops, per sub-loop pair			UEANL	USBMC		\$34.29	\$34.29								
	Sub-Loop 4-Wire Intra-building Network Cable (INC)	I		UEANL	USBR4	\$2.26	\$116.14	\$37.10	\$99.96	\$16.98			\$19.99		\$13.32	
	Order Coordination for Unbundled Sub-Loops, per sub-loop pair			UEANL	USBMC		\$34.29	\$34.29								
	2 Wire Copper Unbundled Sub-Loop Distribution - Zone 1	I	1	UEF	UCS2X	\$5.46	\$440.74	\$37.89	\$94.44	\$43.99			\$49.99			
	2 Wire Copper Unbundled Sub-Loop Distribution - Zone 2	I	2	UEF	UCS2X	\$6.74	\$440.74	\$37.89	\$94.44	\$43.99			\$49.99			

BELLSOUTH / METROMEDIA FIBER NETWORK SERVICES RATES

Unbundled Network Elements
TENNESSEE

CATEGORY	NOTES	Interim	Zone	BCS	USOC	RATES					OSS RATES					
						Rec	First	Add'l	Disconnect	Add'l	SOME C	SOMAN	SOMAN	SOMAN	SOMAN	SOMAN
						First	First	First	First	First						
	2 Wire Copper Unbundled Sub-Loop Distribution - Zone 3	I	3	UEF	UCS2X	\$8.84	\$140.71	\$37.89	\$94.41	\$13.09		\$19.99				
	Order Coordination for Unbundled Sub-Loops, per sub-loop pair			UEF	USBMC		\$34.29	\$34.29								
	4 Wire Copper Unbundled Sub-Loop Distribution - Zone 1	I	1	UEF	UCS4X	\$6.52	\$117.12	\$44.30	\$99.96	\$16.98		\$19.99				
	4 Wire Copper Unbundled Sub-Loop Distribution - Zone 2	I	2	UEF	UCS4X	\$6.52	\$117.12	\$44.30	\$99.96	\$16.98		\$19.99				
	4 Wire Copper Unbundled Sub-Loop Distribution - Zone 3	I	3	UEF	UCS4X	\$11.14	\$117.12	\$44.30	\$99.96	\$16.98		\$19.99				
	Order Coordination for Unbundled Sub-Loops, per sub-loop pair			UEF	USBMC		\$34.29	\$34.29								
	Sub-Loop Feeder															
	USL-Feeder, DS0 Set-up per Cross Box location - CLEC Distribution Facility set-up			UEA, UDN,UCL,UDL,UDC	USBFW		\$517.25									
	USL Feeder - DS0 Set-up per Cross Box location - per 25 pair set-up			UEA, UDN,UCL,UDL,UDC	USBFX		\$42.68	\$42.68								
	USL Feeder DS1 Set-up at DSX location, per DS1 termination			USL	USBFX		\$531.04	\$11.34								
	Unbundled Sub-Loop Feeder Loop, 2 Wire Ground-Start, Voice Grade-Statewide		sw	UEA	USBFA	\$12.05	\$122.24	\$85.05	\$76.35	\$39.16		\$19.99	\$20.35	\$10.54	\$13.32	
	Order Coordination for Specified Conversion Time, per LSR			UEA	OCOSL		\$34.29									
	Unbundled Sub-Loop Feeder Loop, 2 Wire Loop-Start, Voice Grade - Statewide		sw	UEA	USBFB	\$12.05	\$122.24	\$85.05	\$76.35	\$39.16		\$19.99	\$20.35	\$10.54	\$13.32	
	Order Coordination for Specified Time Conversion, per LSR			UEA	OCOSL		\$34.29									
	Unbundled Sub-Loop Feeder Loop, 2 Wire Reverse Battery, Voice Grade Loop - Statewide		sw	UEA	USBFC	\$12.05	\$122.24	\$85.05	\$76.35	\$39.16		\$19.99	\$20.35	\$10.54	\$13.32	
	Order Coordination For Specified Conversion Time, per LSR			UEA	OCOSL		\$34.29									
	Unbundled Sub-Loop Feeder Loop, 4 Wire Ground-Start, Voice Grade - Zone 1		1	UEA	USBFD	\$21.52	\$137.31	\$61.93	\$118.04	\$30.13		\$19.99				
	Unbundled Sub-Loop Feeder Loop, 4 Wire Ground-Start, Voice Grade - Zone 2		2	UEA	USBFD	\$28.11	\$137.31	\$61.93	\$118.04	\$30.13		\$19.99				
	Unbundled Sub-Loop Feeder Loop, 4 Wire Ground Start, Voice Grade - Zone 3		3	UEA	USBFD	\$36.76	\$137.31	\$61.93	\$118.04	\$30.13		\$19.99				
	Order Coordination For Specified Conversion Time, Per LSR			UEA	OCOSL		\$34.29									
	Unbundled Sub-Loop Feeder Loop, 4 Wire Loop-Start, Voice Grade - Zone 1		1	UEA	USBFE	\$21.52	\$137.31	\$61.93	\$118.04	\$30.13		\$19.99				
	Unbundled Sub-Loop Feeder Loop, 4 Wire Loop-Start, Voice Grade - Zone 2		2	UEA	USBFE	\$28.11	\$137.31	\$61.93	\$118.04	\$30.13		\$19.99				
	Unbundled Sub-Loop Feeder Loop, 4 Wire Loop-Start, Voice Grade - Zone 3		3	UEA	USBFE	\$36.76	\$137.31	\$61.93	\$118.04	\$30.13		\$19.99				
	Order Coordination For Specified Conversion Time, Per LSR			UEA	OCOSL		\$34.29									
	Unbundled Sub-Loop Feeder Loop, 2 Wire ISDN BRI - Zone 1		1	UDN	USBFF	\$16.11	\$142.83	\$67.45	\$104.67	\$18.53		\$19.99				
	Unbundled Sub-Loop Feeder Loop, 2-Wire ISDN BRI - Zone 2		2	UDN	USBFF	\$21.04	\$142.83	\$67.45	\$104.67	\$18.53		\$19.99				
	Unbundled Sub-Loop Feeder Loop, 2-Wire ISDN BRI - Zone 3		3	UDN	USBFF	\$27.51	\$142.83	\$67.45	\$104.64	\$18.53		\$19.99				
	Order Coordination For Specified Conversion Time, Per LSR			UDN	OCOSL		\$34.29									
	Unbundled Sub-Loop Feeder, 2 Wire UDC (IDSL compatible)		1	UDC	USBFS	\$16.11	\$142.83	\$67.45	\$104.67	\$18.53		\$19.99				
	Unbundled Sub-Loop Feeder, 2 Wire UDC (IDSL compatible)		2	UDC	USBFS	\$21.04	\$142.83	\$67.45	\$104.67	\$18.53		\$19.99				
	Unbundled Sub-Loop Feeder, 2 Wire UDC (IDSL compatible)		3	UDC	USBFS	\$27.51	\$142.83	\$67.45	\$104.64	\$18.53		\$19.99				
	Unbundled Sub-Loop Feeder Loop, 4-Wire DS1 - Zone 1		1	USL	USBFG	\$39.74	\$116.000	\$40.62	\$106.82	\$18.91		\$19.99				
	Unbundled Sub-Loop Feeder, 4-Wire DS1 - Zone 2		2	USL	USBFG	\$51.9	\$116.000	\$40.62	\$106.82	\$18.91		\$19.99				
	Unbundled Sub-Loop Feeder Loop, 4-Wire DS1 - Zone 3		3	USL	USBFG	\$67.86	\$116.000	\$40.62	\$106.82	\$18.91		\$19.99				
	Order Coordination For Specified Conversion Time, Per LSR			USL	OCOSL		\$34.29									
	Unbundled Sub-Loop Feeder, 2-Wire Copper Loop - Zone 1		1	UCL	USBFH	\$9.52	\$114.27	\$38.89	\$104.64	\$18.53		\$19.99				
	Unbundled Sub-Loop Feeder Loop, 2-Wire Copper Loop - Zone 2		2	UCL	USBFH	\$12.43	\$114.27	\$38.89	\$104.64	\$18.53		\$19.99				
	Unbundled Sub-Loop Feeder Loop, 2-Wire Copper Loop - Zone 3		3	UCL	USBFH	\$16.26	\$114.27	\$38.89	\$104.64	\$18.53		\$19.99				
	Order Coordination For Specified Conversion Time, per LSR			UCL	OCOSL		\$34.29									
	Sub-Loop Feeder - Per 4-Wire Copper Loop - Zone 1		1	UCL	USBFJ	\$14.37	\$123.41	\$48.03	\$110.44	\$22.53		\$19.99				
	Sub-Loop Feeder - Per 4-Wire Copper Loop - Zone 2		2	UCL	USBFJ	\$18.76	\$123.41	\$48.03	\$110.44	\$22.53		\$19.99				
	Sub-Loop Feeder - Per 4-Wire Copper Loop - Zone 3		3	UCL	USBFJ	\$24.53	\$123.41	\$48.03	\$110.44	\$22.53		\$19.99				
	Order Coordination For Specified Conversion Time, per LSR			UCL	OCOSL		\$34.29									
	Sub-Loop Feeder - Per 4-Wire 19.2 Kbps Digital Grade Loop		1	UDL	USBFN	\$26.06	\$116.000	\$40.62	\$106.82	\$18.91		\$19.99				
	Sub-Loop Feeder - Per 4-Wire 19.2 Kbps Digital Grade Loop		2	UDL	USBFN	\$34.03	\$116.000	\$40.62	\$106.82	\$18.91	\$3.5	\$19.99				
	Sub-Loop Feeder - Per 4-Wire 19.2 Kbps Digital Grade Loop		3	UDL	USBFN	\$44.5	\$116.000	\$40.62	\$106.82	\$18.91		\$19.99				
	Sub-Loop Feeder - Per 4-Wire 56 Kbps Digital Grade Loop - Zone 1		1	UDL	USBFO	\$26.06	\$116.000	\$40.62	\$106.82	\$18.91		\$19.99				
	Sub-Loop Feeder - Per 4-Wire 56 Kbps Digital Grade Loop - Zone 2		2	UDL	USBFO	\$34.03	\$116.000	\$40.62	\$106.82	\$18.91		\$19.99				
	Sub-Loop Feeder - Per 4-Wire 56 Kbps Digital Grade Loop - Zone 3		3	UDL	USBFO	\$44.5	\$116.000	\$40.62	\$106.82	\$18.91		\$19.99				
	Order Coordination For Specified Time Conversion, per LSR			UDL	OCOSL		\$34.29									
	Sub-Loop Feeder - Per 4-Wire 64 Kbps Digital Grade Loop - Zone 1		1	UDL	USBFP	\$26.06	\$116.000	\$40.62	\$106.82	\$18.91		\$19.99				
	Sub-Loop Feeder - Per 4-Wire 64 Kbps Digital Grade Loop - Zone 2		2	UDL	USBFP	\$34.03	\$116.000	\$40.62	\$106.82	\$18.91		\$19.99				

BELLSOUTH / METROMEDIA FIBER NETWORK SERVICES RATES
Unbundled Network Elements
TENNESSEE

CATEGORY	NOTES	UNBUNDLED NETWORK ELEMENT	Interim	Zone	BCS	USOC	RATES					OSS RATES								
							Rec	First	Add'l	Disconnect	Add'l	SOMEC	SOMAN	SOMAN	SOMAN	SOMAN	SOMAN			
																		Nonrecurring	Nonrecurring	
																		First	First	
		Sub-Loop Feeder - Per 4-Wire 64 Kbps Digital Grade Loop - Zone 3 Order Coordination For Specified Conversion Time, per LSR		3	UDL	USBFP	\$44.5	\$116.000	\$40.62	\$106.82	\$18.91		\$19.99							
					UDL	OCOSL		\$34.29												
		Unbundled Sub-Loop Modification																		
		Unbundled Sub-Loop Modification - 2-W Copper Dist Load Coil/Equip Removal per 2-W PR			UEF	ULM2X		\$335.35	\$7.82				\$19.99							
		Unbundled Sub-loop Modification - 4-W Copper Dist Load Coil/Equip Removal per 4-W PR			UEF	ULM4X		\$335.36	\$7.82				\$19.99							
		Unbundled Sub-loop Modification - 2-w/4-w Copper Dist Bridged Tap Removal, per PR unloaded			UEF	ULM4T		\$528.48	\$9.74				\$19.99							
		Unbundled Network Terminating Wire (UNTW)																		
		Unbundled Network Terminating Wire (UNTW) per Pair	I		UENTW	UENPP	\$0.45	\$2.48	\$2.48				\$19.99							
		Network Interface Device (NID)																		
		Network Interface Device (NID) - 1-2 lines			UENTW	UND12		\$89.69	\$54.56											
		Network Interface Device (NID) - 1-6 lines			UENTW	UND16		\$129.65	\$94.51											
		Network Interface Device Cross Connect - 2 W			UENTW	UNDC2		\$0.74	\$0.74				\$19.99							
		Network Interface Device Cross Connect - 4W			UENTW	UNDC4		\$0.74	\$0.74				\$19.99							
		UNBUNDLED LOOP CONCENTRATION																		
		Loop Channelization System			ULC	ULCCS	\$307.07	\$307.34	\$74.37	\$4.18			\$3.50	\$20.35	\$10.54	\$13.32				
		CO Channel Interface - 2-Wire Voice Grade			ULC	ULCC2	\$1.20	\$9.57	\$9.52	\$8.66	\$8.60		\$3.50	\$20.35	\$10.54	\$13.32				
		Unbundled Loop Concentration - System A (TR008)			ULC	UCT8A	\$500.18	\$613.6	\$613.6											
		Unbundled Loop Concentration - System B (TR008)			ULC	UCT8B	\$54.82	\$255.67	\$255.67											
		Unbundled Loop Concentration - System A (TR303)			ULC	UCT3A	\$539.	\$613.6	\$613.6											
		Unbundled Loop Concentration - System B (TR303)			ULC	UCT3B	\$92.37	\$255.67	\$255.67											
		Unbundled Loop Concentration - DS1 Loop Interface Card			ULC	UCTCO	\$6.23	\$74.39	\$53.07	\$30.23	\$8.46									
		Unbundled Loop Concentration - ISDN Loop Interface (Brite Card)			UDN	ULCC1	\$8.46	\$8.69	\$8.65	\$9.71	\$9.65									
		Unbundled Loop Concentration - UDC Loop Interface (Brite Card)			UDC	ULCCU	\$8.46	\$8.69	\$8.65	\$9.71	\$9.65									
		Unbundled Loop Concentration - 2 Wire Voice-Loop Start or Ground Start Loop Interface (POTS Card)			UEA	ULCC2	\$2.32	\$8.69	\$8.65	\$9.71	\$9.65									
		Unbundled Loop Concentration - 2 Wire Voice - Reverse Battery Loop Interface (SPOTS Card)			UEA	ULCCR	\$12.45	\$8.69	\$8.65	\$9.71	\$9.65									
		Unbundled Loop Concentration - 4 Wire Voice Loop Interface			UEA	ULCC4	\$7.53	\$8.69	\$8.65	\$9.71	\$9.65								\$13.32	
		Unbundled Loop Concentration - TEST CIRCUIT Card			ULC	UCTTC	\$35.77	\$8.69	\$8.65	\$9.71	\$9.65									\$13.32
		Unbundled Loop Concentration - Digital 19.2 Kbps Data Loop Interface			UDL	ULCC7	\$11.03	\$8.069	\$8.65	\$9.71	\$9.65									
		Unbundled Loop Concentration - Digital 56 Kbps Data Loop Interface			UDL	ULCC5	\$11.03	\$8.69	\$8.65	\$9.71	\$9.65									
		Unbundled Loop Concentration - Digital 64 Kbps Data Loop Interface			UDL	ULCC6	\$11.03	\$8.69	\$8.65	\$9.71	\$9.65									
		UNBUNDLED SUB-LOOP CONCENTRATION (OUTSIDE CO)																		
		UNE OTHER, PROVISIONING ONLY - NO RATE																		
		NID - Dispatch and Service Order for NID installation			UENTW	UNDBX														
		UNTW Circuit Id Establishment, Provisioning Only - No Rate			UENTW	UENCE														
		Unbundled Contract Name, Provisioning Only - No Rate			UEANL,UEF,UEQ,UE NTW	UNECN														
		Unbundled Contact Name, Provisioning Only - no rate			UAL,UCL,UDC,UDL,U DN,UEA,UHL,ULC	UNECN	\$0.0	\$0.0												
		Unbundled Sub-Loop Feeder-2 Wire Cross Box Jumper - no rate			UEA,UDN,UCL,UDC	USBFQ	\$0.0	\$0.0												
		Unbundled Sub-Loop Feeder-4 Wire Cross Box Jumper - no rate			UEA,USL,UCL,UDL	USBFR	\$0.0	\$0.0												
		Unbundled DS1 Loop - Superframe Format Option - no rate			USL	CCOSF	\$0.0	\$0.0												
		Unbundled DS1 Loop - Expanded Superframe Format option - no rate			USL	CCOEF	\$0.0	\$0.0												
		HIGH CAPACITY UNBUNDLED LOCAL LOOP																		
		NOTE: 4 month minimum billing period																		
		High Capacity Unbundled Local Loop - DS3 - Per Mile per month			UE3	1L5ND	\$9.19													

BELLSOUTH / METROMEDIA FIBER NETWORK SERVICES RATES
Unbundled Network Elements
TENNESSEE

CATEGORY	NOTES	UNBUNDLED NETWORK ELEMENT	Interim	Zone	BCS	USOC	RATES				OSS RATES					
							Rec	First	Add'l	Disconnect	SOME C	SOMAN	SOMAN	SOMAN	SOMAN	SOMAN
							First	Add'l	First	Add'l						
		High Capacity Unbundled Local Loop - DS3 - Facility Termination per month			UE3	UE3PX	\$374.24	\$595.67	\$304.5	\$234.83	\$170.16	\$3.5	\$36.84	\$36.84	\$19.01	\$19.01
		High Capacity Unbundled Local Loop - STS-1 - Per Mile per month			UDLSX	1L5ND	\$9.19									
		High Capacity Unbundled Local Loop - STS-1 - Facility Termination per month			UDLSX	UDLS1	\$389.35	\$595.37	\$304.5	\$215.82	\$151.15	\$3.5	\$36.84	\$36.84	\$19.01	\$19.01
LOOP MAKE-UP																
		Loop Makeup - Preordering Without Reservation, per working or spare facility queried (Manual). **	I		UMK	UMKLW		\$100.00	\$100.00							
		Loop Makeup - Preordering With Reservation, per spare facility queried (Manual). **	I		UMK	UMKLP		\$100.00	\$100.00							
		Loop Makeup--With or Without Reservation, per working or spare facility queried (Mechanized) **	I					\$0.6888	\$0.6888							
LINE SHARING																
		Line Sharing Splitter, per System 96 Line Capacity	I		ULS	ULSDA	\$100.00	\$150.00	\$0.0	\$150.00	\$0.0	\$0.0	\$0.0			
		Line Sharing Splitter, per System 24 Line Capacity	I		ULS	ULSDB	\$25.00	\$150.00	\$0.0	\$150.00	\$0.0	\$0.0	\$0.0			
		Line Sharing - per Line Activation	I		ULS	ULSDC	\$0.61	\$40.00	\$21.39	\$35.06	\$10.79	\$0.0	\$20.35	\$10.54	\$13.32	\$13.32
		Line Sharing - per Subsequent Activity per Line Rearrangement	I		ULS	ULSDS		\$30.00	\$15.00				\$20.35	\$10.54		
UNBUNDLED TRANSPORT																
COMMON TRANSPORT (Shared)																
		Common Transport - Per Mile, Per MOU						\$0.0000064								
		Common Transport - Facilities Termination Per MOU						\$0.0003871								
NOTE: INTEROFFICE CHANNEL - DEDICATED TRANSPORT - minimum billing period: below DS3 = one month. DS3 and above four months																
INTEROFFICE CHANNEL - DEDICATED TRANSPORT - VOICE GRADE																
		Interoffice Channel - Dedicated Transport - 2-Wire Voice Grade - Per Mile per month			U1TVX	1L5XX	\$0.0174									
		Interoffice Channel - Dedicated Transport- 2- Wire Voice Grade - Facility Termination per month			U1TVX	U1TV2	\$18.53	\$55.39	\$17.37	\$27.96	\$3.51	\$3.5	\$20.35	\$21.09	\$9.80	\$10.54
		Interoffice Channel - Dedicated Transport - 2-Wire Voice Grade Rev Bat. - Per Mile per month			U1TVX	1L5XX	\$0.0174									
		Interoffice Channel - Dedicated Transport- 2- Wire VG Rev Bat. - Facility Termination per month			U1TVX	U1TR2	\$18.53	\$55.39	\$17.37	\$27.96	\$3.51	\$3.5	\$20.35	\$21.09	\$9.80	\$10.54
		Interoffice Channel - Dedicated Transport - 4-Wire Voice Grade - Per Mile per month			U1TVX	1L5XX	\$0.0054									
		Interoffice Channel - Dedicated Transport - 4- Wire Voice Grade - Facility Termination per month			U1TVX	U1TV4	\$24.09	\$37.87	\$26.02	\$30.78	\$13.07	\$3.5	\$15.08	\$15.08	\$8.66	\$8.66
		Interoffice Channel - Dedicated Transport - 56 kbps - per mile per month			U1TDX	1L5XX	\$0.0174									
		Interoffice Channel - Dedicated Transport - 56 kbps - Facility Termination per month			U1TDX	U1TD5	\$18.53	\$55.39	\$17.37	\$27.96	\$3.51	\$3.5	\$20.35	\$21.09	\$9.80	\$10.54
		Interoffice Channel - Dedicated Transport - 64 kbps - per mile per month			U1TDX	1L5XX	\$0.0174									
		Interoffice Channel - Dedicated Transport - 64 kbps - Facility Termination per month			U1TDX	U1TD6	\$18.53	\$55.39	\$17.37	\$27.96	\$3.51	\$3.5	\$20.35	\$21.09	\$9.80	\$10.54
INTEROFFICE CHANNEL - DEDICATED TRANSPORT - DS1																
		Interoffice Channel - Dedicated Channel - DS1 - Per Mile per month			U1TD1	1L5XX	\$0.3525									
		Interoffice Channel - Dedicated Transport - DS1 - Facility Termination per month			U1TD1	U1TF1	\$77.83	\$112.40	\$76.27	\$19.55	\$14.99	\$3.5	\$20.35	\$21.09	\$9.80	\$10.54
INTEROFFICE CHANNEL - DEDICATED TRANSPORT- DS3																
		Interoffice Channel - Dedicated Transport - DS3 - Per Mile per month			U1TD3	1L5XX	\$2.34									
		Interoffice Channel - Dedicated Transport - DS3 - Facility Termination per month			U1TD3	U1TF3	\$848.99	\$395.29	\$176.56	\$109.04	\$105.91	\$3.50	\$36.84	\$36.84	\$19.01	\$19.01
INTEROFFICE CHANNEL - DEDICATED TRANSPORT- STS-1																

BELLSOUTH / METROMEDIA FIBER NETWORK SERVICES RATES
Unbundled Network Elements
TENNESSEE

CATEGORY	NOTES	UNBUNDLED NETWORK ELEMENT	Interim	Zone	BCS	USOC	RATES					OSS RATES								
							Rec	First	Add'l	Disconnect	Add'l	SOME C	SOMAN	SOMAN	SOMAN	SOMAN	SOMAN			
																		Nonrecurring	Nonrecurring	
		Interoffice Channel - Dedicated Transport - STS-1 - Per Mile per month			U1TS1	1L5XX	\$2.34													
		Interoffice Channel - Dedicated Transport - STS-1 - Facility Termination per month			U1TS1	U1TFS	\$849.30	\$395.29	\$176.56	\$109.04	\$105.91	\$3.50		\$36.84	\$36.84	\$19.01	\$19.01			
		LOCAL CHANNEL - DEDICATED TRANSPORT																		
		NOTE: LOCAL CHANNEL DEDICATED TRANSPORT - minimum billing period - below DS3=one month, DS3 and above=four months																		
		Local Channel - Dedicated - 2-Wire Voice Grade Per Month			ULCVX	ULDV2	\$19.02	\$199.33	\$24.16	\$54.81	\$4.8	\$3.5		\$20.35	\$10.54	\$13.3	\$13.3			
		Local Channel - Dedicated - 2-Wire Voice Grade Rev Bat per month			ULCVX	ULDR2	\$19.02	\$199.33	\$24.16	\$54.81	\$4.8	\$3.5		\$20.35	\$10.54	\$13.3	\$13.3			
		Local Channel - Dedicated - 4-Wire Voice Grade per month			UNCVX	ULDV4	\$20.56	\$201.53	\$24.83	\$55.52	\$5.51	\$3.5		\$20.35	\$20.35	\$13.3	\$13.3			
		Local Channel - Dedicated - DS1 per month			ULDD1	ULDF1	\$40.99	\$277.35	\$233.26	\$33.16	\$22.3	\$3.5		\$45.68	\$1.76	\$21.75	\$1.76			
		Local Channel - Dedicated - DS3 - Per Mile per month			ULDD3	1L5NC	\$7.15													
		Local Channel - Dedicated - DS3 - Facility Termination per month			ULDD3	ULDF3	\$611.3	\$595.37	\$304.5	\$215.82	\$151.15	\$3.50		\$36.84	\$36.84	\$19.01	\$19.01			
		Local Channel - Dedicated - STS-1 - Per Mile per month			ULDS1	1L5NC	\$7.15													
		Local Channel - Dedicated - STS-1 - Facility Termination per month			ULDS1	ULDFS	\$599.59	\$595.37	\$611.3	\$304.5	\$215.82	\$3.50		\$36.84	\$36.84	\$19.01	\$19.01			
		MULTIPLEXERS																		
		Channelization - DS1 to DS0 Channel System			UXTD1	MQ1	\$80.77	\$141.67	\$77.11	\$44.47	\$42.62	\$3.5		\$20.35	\$9.8	\$11.49	\$1.18			
		OCU-DP COCI (data) - DS1 to DS0 Channel System - per month (2.4-64kbs)			UDL	1D1DD	\$1.82	\$6.07	\$4.66											
		2-wire ISDN COCI (BRITE) - DS1 to DS0 Channel System - per month			UDN	UC1CA	\$3.10	\$6.07	\$4.66											
		Voice Grade COCI - DS1 to DS0 Channel System - per month			UEA	1D1VG	\$6.07	\$6.07	\$4.66											
		DS3 to DS1 Channel System per month			UXTD3	MQ3	\$222.98	\$308.03	\$108.47	\$6.34	\$4.23	\$3.5		\$20.35	\$9.8	\$11.49	\$1.18			
		STS1 to DS1 Channel System per month			UXTS1	MQ3	\$222.98	\$308.03	\$108.47	\$6.34	\$4.23	\$3.5		\$20.35	\$9.80	\$11.49	\$1.18			
		DS3 Interface Unit (DS1 COCI) used with Loop per month			USL	UC1D1	\$17.58	\$6.07	\$4.66											
		DARK FIBER																		
		Dark Fiber, Four Fiber Strands, Per Route Mile or Fraction Thereof per month - Local Channel			UDF	1L5DC	\$53.23													
		NRC Dark Fiber - Local Channel			UDF	UDFC4		\$1,219.22	\$169.75	\$453.22	\$339.34	\$3.5								
		Dark Fiber, Four Fiber Strands, Per Route Mile or Fraction Thereof per month - Interoffice Channel			UDF	1L5DF	\$53.23													
		NRC Dark Fiber - Interoffice Channel			UDF	UDF14		\$1,219.22	\$169.75	\$453.22	\$339.34	\$3.5		\$0.00	\$0.00	\$0.00	\$0.00			
		Dark Fiber, Four Fiber Strands, Per Route Mile or Fraction Thereof per month - Local Loop			UDF	1L5DL	\$53.23													
		NRC Dark Fiber - Local Loop			UDF	UDFL4		\$1,219.22	\$169.75	\$453.22	\$339.34	\$3.5		\$0.00	\$0.00	\$0.00	\$0.00			
		TRANSPORT OTHER																		
		Clear Channel Capability (B8ZS/ESF) Option - Subsequent - per DS1 Channel			UNC1X	CCOEF		\$185.16	\$23.85	\$2.03	\$0.79	\$3.50		\$29.33	\$3.93					
		Clear Channel Capability (B8ZS/SF) Option - Subsequent - per DS1 Channel			UNC1X	CCOSF		\$185.16	\$23.85	\$2.03	\$0.79	\$3.50		\$29.33	\$3.93					
		8XX ACCESS TEN DIGIT SCREENING																		
		8XX Access Ten Digit Screening, Per Call			OHD		\$0.0005192													
		8XX Access Ten Digit Screening, Reservation Charge Per 8XX Number Reserved			OHD	N8R1X		\$5.21	\$0.76					\$20.35						
		8XX Access Ten Digit Screening, Per 8XX No. Established W/O POTS Translations			OHD			\$11.47	\$1.46	\$7.34	\$0.7602			\$20.35		\$13.28				
		8XX Access Ten Digit Screening, Per 8XX No. Established With POTS Translations			OHD	N8FTX		\$11.47	\$1.46	\$7.34	\$0.7602			\$20.35		\$13.28				
		8XX Access Ten Digit Screening, Customized Area of Service Per 8XX Number			OHD	N8FCX		\$4.47	\$2.24											
		8XX Access Ten Digit Screening, Multiple InterLATA CXR Routing Per CXR Requested Per 8XX No.			OHD	N8FMX		\$5.23	\$3.00											
		8XX Access Ten Digit Screening, Change Charge Per Request			OHD	N8FAX		\$5.97	\$0.76					\$20.35						
		8XX Access Ten Digit Screening, Call Handling and Destination Features			OHD	N8FDX		\$4.47												
		LINE INFORMATION DATA BASE ACCESS (LIDB)																		
		LIDB Common Transport Per Query				OQT	\$0.0000354													
		LIDB Validation Per Query				OQU	\$0.0117403													

BELLSOUTH / METROMEDIA FIBER NETWORK SERVICES RATES
Unbundled Network Elements
TENNESSEE

CATEGORY	NOTES	UNBUNDLED NETWORK ELEMENT	Interim	Zone	BCS	USOC	RATES				OSS RATES									
							Rec	First	Add'l	Disconnect	Svc Order Submitted Elec per LSR	Svc Order Submitted Manually per LSR	Incremental Charge - Manual Svc Order vs. Electronic-1st	Incremental Charge - Manual Svc Order vs. Electronic-Add'l	Incremental Charge - Manual Svc Order vs. Electronic-Disc 1st	Incremental Charge - Manual Svc Order vs. Electronic-Disc Add'l				
																	First	Add'l	First	Add'l
		LIDB Originating Point Code Establishment or Change						\$49.03						\$20.35						
SIGNALING (CCS7)																				
		CCS7 Signaling Termination, Per STP Port						\$138.41												
		CCS7 Signaling Usage, Per TCAP Message						\$0.0000916												
		CCS7 Signaling Connection, Per link (A link)						\$17.84	\$130.84					\$20.35						
		CCS7 Signaling Connection, Per link (B link) (also known as D link)						\$17.84	\$130.84					\$20.35						
		CCS7 Signaling Usage, Per ISUP Message						\$0.0000373												
		CCS7 Signaling Usage Surrogate, per link per LATA						\$352.30						\$20.35						
CALLING NAME (CNAM) SERVICE																				
		CNAM for DB Owners, Per Query						\$0.016												
		CNAM for Non DB Owners, Per Query						\$0.01												
		CNAM (Non-Databs Owner), NRC, applies when using the Character Based User Interface (CHUI)			OQV	CDDCH		\$595.00												
OPERATOR CALL PROCESSING																				
		Oper. Call Processing - Oper. Provided, Per Min. - Using BST LIDB						\$1.2												
		Oper. Call Processing - Oper. Provided, Per Min. - Using Foreign LIDB						\$1.24												
		Oper. Call Processing - Fully Automated, per Call - Using BST LIDB						\$0.20												
		Oper. Call Processing - Fully Automated, per Call - Using Foreign LIDB						\$0.20												
INWARD OPERATOR SERVICES																				
		Inward Operator Services - Verification, Per Call						\$1.00												
		Inward Operator Services - Verification and Emergency Interrupt - Per Call						\$1.95												
BRANDING - OPERATOR CALL PROCESSING																				
		Recording of Custom Branded OA Announcement				CBAOS		\$7,000.00	\$7,000.00	\$9.61	\$9.61									
		Loading of Custom Branded OA Announcement per shelf/NAV				CBAOL		\$500.00	\$500.00				\$3.50							
DIRECTORY ASSISTANCE SERVICES																				
		DIRECTORY ASSISTANCE ACCESS SERVICE																		
		Directory Assistance Access Service Calls, Charge Per Call						\$0.275												
		DIRECTORY ASSISTANCE CALL COMPLETION ACCESS SERVICE (DACC)																		
		Directory Assistance Call Completion Access Service (DACC), Per Call Attempt						\$0.1												
UNBRANDING																				
		DIRECTORY TRANSPORT																		
		Directory Transport - Local Channel DS1						\$133.81	\$868.97	\$486.83			\$3.5							
		Directory Transport - DS1 Level Interoffice Per Mile						\$23.00					\$3.5							
		Directory Transport - DS1 Level Interoffice Per Facility Termination						\$90.00	\$100.49	\$100.49			\$3.5							
		DIRECTORY ASSISTANCE DATA BASE SERVICE (DADS)																		
		Directory Assistance Data Base Service Charge Per Listing						\$0.04												
		Directory Assistance Data Base Service, per month						\$150.00												
BRANDING - DIRECTORY ASSISTANCE																				
		Custom Branding Announcement, per Recording to be used with the provision of DA				AMT	CBADA	\$3,000.00	\$3,000.00											
		Loading of Custom Branded Announcement per DRAM Card/Switch				AMT	CBADC	\$690.00	\$690.00											
SELECTIVE ROUTING																				
		Selective Routing Per Unique Line Class Code Per Request Per Switch					USRCR	\$179.60	\$179.6				\$30.89	\$7.03						
VIRTUAL COLLOCATION																				
		Virtual Collocatin - DS1 Cross Connects				USL,ULC	CNC1X	\$1.319	\$32.22	\$17.76	\$10.46	\$8.75								

BELLSOUTH / METROMEDIA FIBER NETWORK SERVICES RATES
Unbundled Network Elements
TENNESSEE

CATEGORY	NOTES	UNBUNDLED NETWORK ELEMENT	Interim	Zone	BCS	USOC	RATES				OSS RATES													
							Rec	First	Add'l	Disconnect First	Add'l	SOME C	SOMAN	SOMAN	SOMAN	SOMAN	SOMAN	SOMAN						
																			Nonrecurring		Nonrecurring			
																			First	Add'l	First	Add'l		
AIN SELECTIVE CARRIER ROUTING																								
		Regional Service Establishment			SRC	SRCEC		\$391,788.00	#####															
		End Office Establishment			SRC	SRCEO		\$320.53	\$320.53															
		Line/Port NRC, per end user			SRC	SRCLP		\$2.06	\$2.06															
		Query NRC, per query			SRC			\$0.000448																
AIN - BELLSOUTH AIN SMS ACCESS SERVICE																								
		AIN SMS Access Service - Service Establishment, Per State, Initial Setup				CAMSE		\$135.56				\$19.99												
		AIN SMS Access Service - Port Connection - Dial/Shared Access				CAMDP		\$41.75																
		AIN SMS Access Service - Port Connection - ISDN Access				CAM1P		\$41.75																
		AIN SMS Access Service - User Identification Codes - Per User ID Code				CAMAU		\$96.63																
		AIN SMS Access Service - Security Card, Per User ID Code, Initial or Replacement				CAMRC		\$113.67																
		AIN SMS Access Service - Storage, Per Unit (100 Kilobytes)						\$0.0024																
		AIN SMS Access Service - Session, Per Minute						\$0.0820123																
		AIN SMS Access Service - Company Performed Session, Per Minute						\$2.27																
AIN - BELLSOUTH AIN TOOLKIT SERVICE																								
		AIN Toolkit Service - Service Establishment Charge, Per State, Initial Setup				BAPSC		\$132.04				\$19.99												
		AIN Toolkit Service - Training Session, Per Customer				BAPVX		\$7.915																
		AIN Toolkit Service - Trigger Access Charge, Per Trigger, Per DN, Term. Attempt				BAPTT		\$31.21																
		AIN Toolkit Service - Trigger Access Charge, Per Trigger, Per DN, Off-Hook Delay				BAPTD		\$31.21																
		AIN Toolkit Service - Trigger Access Charge, Per Trigger, Per DN, Off-Hook Immediate				BAPTM		\$31.21																
		AIN Toolkit Service - Trigger Access Charge, Per Trigger, Per DN, 10-Digit PODP				BAPTO		\$85.24																
		AIN Toolkit Service - Trigger Access Charge, Per Trigger, Per DN, CDP				BAPTC		\$85.24																
		AIN Toolkit Service - Trigger Access Charge, Per Trigger, Per DN, Feature Code				BAPTF		\$85.24																
		AIN Toolkit Service - Query Charge, Per Query						\$0.0211882																
		AIN Toolkit Service - Type 1 Node Charge, Per AIN Toolkit Subscription, Per Node, Per Query						\$0.0054774																
		AIN Toolkit Service - SCP Storage Charge, Per SMS Access Account, Per 100 Kilobytes						\$1.50																
		AIN Toolkit Service - Monthly report - Per AIN Toolkit Service Subscription				BAPMS		\$17.43	\$33.52															
		AIN Toolkit Service - Special Study - Per AIN Toolkit Service Subscription				BAPLS		\$0.1321116	\$36.23															
		AIN Toolkit Service - Call Event Report - Per AIN Toolkit Service Subscription				BAPDS		\$17.35	\$33.52															
		AIN Toolkit Service - Call Event Special Study - Per AIN Toolkit Service Subscription				BAPES		\$0.0511435	\$36.23															
ODUF/EDOUF/ADUF/CMDS																								
OPTIONAL DAILY USAGE FILE (ODUF)																								
		ODUF: Recording, per message						\$0.0000044																
		ODUF: Message Processing, per message						\$0.0027366																
		ODUF: Message Processing, per Magnetic Tape provisioned						\$52.75																
		ODUF: Data Transmission (CONNECT:DIRECT), per message						\$0.0000339																
ENHANCED EXTENDED LINK (EELs)																								

BELLSOUTH / METROMEDIA FIBER NETWORK SERVICES RATES
Unbundled Network Elements
TENNESSEE

CATEGORY	NOTES	UNBUNDLED NETWORK ELEMENT	Interim	Zone	BCS	USOC	RATES				OSS RATES										
							Rec	First	Add'l	Disconnect	SOMEc	SOMAN	SOMAN	SOMAN	SOMAN	SOMAN					
																	Nonrecurring	Nonrecurring	Nonrecurring	Nonrecurring	
	NOTE: New EELs available in State of Georgia, density zone 1 of following SMAs: Orlando, FL; Miami, FL; Ft. Lauderdale, FL; Nashville, TN; New Orleans, LA;																				
	NOTE: Charlotte-Gastonia-Rockhill, NC; Greensboro-Winston Salem-High Point, NC. Use all rates below except Switch As Is Charge.																				
	NOTE: In all states, EEL network elements shown below also apply to currently combined facilities which are converted to UNE rates. A Switch As Is Charge applies to currently combined facilities converted to UNEs.(Non-recurring rates do not apply.)																				
	NOTE: In Georgia, the EEL network elements apply to ordinarily combined network elements per the GA PSC order.(No Switch As Is Charge.)																				
	2-WIRE VOICE GRADE EXTENDED LOOP WITH DEDICATED DS1 INTEROFFICE TRANSPORT (EEL)																				
		First 2-Wire VG Loop(SL2)/DS1 Interofficed Transport Combination - Zone 1		1	UNCVX	UEAL2	\$16.56	\$108.76	\$35.47	\$72.94	\$10.86	\$3.5	\$19.99								
		First 2-Wire VG Grade Loop(SL2)/DS1 Interofficed Transport Combination - Zone 2		2	UNCVX	UEAL2	\$21.63	\$108.76	\$35.47	\$72.94	\$10.86	\$3.5	\$19.99								
		First 2-Wire VG Grade Loop(SL2)/DS1 Interofficed Transport Combination - Zone 3		3	UNCVX	UEAL2	\$28.28	\$108.76	\$35.47	\$72.94	\$10.86	\$3.5	\$19.99								
		Interoffice Transport - Dedicated - DS1 combination - Per Mile per month			UNC1X	1L5XX	\$0.3562														
		Interoffice Transport - Dedicated - DS1 combination - Facility Termination per month			UNC1X	U1TF1	\$77.83	\$171.24	\$113.12	\$70.07	\$30.9	\$3.50	\$31.26	\$10.42							
		DS1 Channelization System Per Month			UNC1X	MQ1	\$165.21	\$214.52	\$49.95	\$75.98	\$13.6										
		Voice Grade COCI - DS1 To Ds0 Interface - Per Month			UNCVX	1D1VG	\$0.91	\$5.7	\$4.42												
		Each Additional 2-Wire VG Loop(SL 2) in the same DS1 Interoffice Transport Combination - Zone 1		1	UNCVX	UEAL2	\$16.56	\$108.76	\$35.47	\$72.94	\$10.86	\$3.5	\$31.26	\$10.42							
		Each Additional 2-Wire VG Loop(SL2) in the same DS1 Interoffice Transport Combination - Zone 2		2	UNCVX	UEAL2	\$21.63	\$108.76	\$35.47	\$72.94	\$10.86	\$3.50	\$31.26	\$10.42							
		Each Additional 2-Wire VG Loop(SL2) in the same DS1 Interoffice Transport Combination - Zone 3		3	UNCVX	UEAL2	\$28.28	\$108.76	\$35.47	\$72.94	\$10.86	\$3.5	\$31.26	\$10.42							
		Voice Grade COCI - DS1 to DS0 Channel System combination - per month			UNCVX	1D1VG	\$0.91	\$5.7	\$4.42												
		Nonrecurring Currently Combined Network Elements Switch -As-Is Charge			UNC1X	UNCCC		\$52.73	\$24.62	\$9.12	\$9.12	\$3.5	\$19.99								
	4-WIRE VOICE GRADE EXTENDED LOOP WITH DEDICATED DS1 INTEROFFICE TRANSPORT (EEL)																				
		First 4-Wire Analog Voice Grade Loop/DS1 Interoffice Transport Combination - Zone 1		1	UNCVX	UEAL4	\$15.92	\$108.76	\$35.47	\$72.94	\$10.86	\$3.5	\$31.28	\$10.42							
		First 4-Wire Analog Voice Grade Loop/DS1 Interoffice Transport Combination - Zone 2		2	UNCVX	UEAL4	\$20.78	\$108.76	\$35.47	\$72.94	\$10.86	\$3.50	\$31.28	\$10.42							
		First 4-Wire Analog Voice Grade Loop/DS1 Interoffice Transport Combination - Zone 3		3	UNCVX	UEAL4	\$27.18	\$108.76	\$35.47	\$72.94	\$10.86	\$3.50	\$31.28	\$10.42							
		Interoffice Transport - Dedicated - DS1 combination - Per Mile Per Month			UNC1X	1L5XX	\$0.3562														
		Interoffice Transport - Dedicated - DS1 - Facility Termination Per Month			UNC1X	U1TF1	\$77.83	\$171.24	\$113.12	\$70.07	\$30.9	\$3.5	\$31.26	\$10.42							
		Channelization - Channel System DS1 to DS0 combination Per Month			UNC1X	MQ1	\$165.21	\$214.52	\$49.95	\$75.98	\$13.6										
		Voice Grade COCI - DS1 to DS0 Channel System combination - per month			UNCVX	1D1VG	\$1.25	\$5.7	\$4.42												
		Additional 4-Wire Analog Voice Grade Loop in same DS1 Interoffice Transport Combination - Zone 1		1	UNCVX	UEAL4	\$15.92	\$108.76	\$35.47	\$72.94	\$10.86	\$3.5	\$31.26	\$10.42							
		Additional 4-Wire Analog Voice Grade Loop in same DS1 Interoffice Transport Combination - Zone 2		2	UNCVX	UEAL4	\$20.78	\$108.76	\$35.47	\$72.94	\$10.86	\$3.50	\$31.26	\$10.42							
		Additional 4-Wire Analog Voice Grade Loop in same DS1 Interoffice Transport Combination - Zone 3		3	UNCVX	UEAL4	\$27.18	\$108.76	\$35.47	\$72.94	\$10.86	\$3.50	\$31.26	\$10.42							
		Voice Grade COCI - DS1 to DS0 Channel System combination - per month			UNCVX	1D1VG	\$1.25	\$5.7	\$4.42												
		Nonrecurring Currently Combined Network Elements Switch -As-Is Charge			UNC1X	UNCCC		\$52.73	\$24.62	\$9.12	\$9.12	\$3.5	\$19.99								

BELLSOUTH / METROMEDIA FIBER NETWORK SERVICES RATES
Unbundled Network Elements
TENNESSEE

CATEGORY	NOTES	UNBUNDLED NETWORK ELEMENT				RATES					OSS RATES					
		Interim	Zone	BCS	USOC	Rec	Nonrecurring		Disconnect	Add'l	SOME C	SOMAN	SOMAN	SOMAN	SOMAN	SOMAN
							First	Add'l								
							First	Add'l								
4-WIRE 56 KBPS EXTENDED DIGITAL LOOP WITH DEDICATED DS1 INTEROFFICE TRANSPORT (EEL)																
	First 4-Wire 56Kbps Digital Grade Loop/DS1 Interoffice Transport Combination - Zone 1		1	UNCDX	UDL56	\$31.1	\$108.76	\$35.47	\$72.94	\$10.86	\$3.5		\$31.26	\$10.42		
	First 4-Wire 56Kbps Digital Grade Loop/DS1 Interoffice Transport Combination - Zone 2		2	UNCDX	UDL56	\$40.61	\$108.76	\$35.47	\$72.94	\$10.86	\$3.5		\$31.26	\$10.42		
	First 4-Wire 56Kbps Digital Grade Loop/DS1 Interoffice Transport Combination - Zone 3		3	UNCDX	UDL56	\$53.11	\$108.76	\$35.47	\$72.94	\$10.9	\$3.5		\$31.26	\$10.42		
	Interoffice Transport - Dedicated - DS1 combination - Per Mile Per Month			UNC1X	1L5XX	\$0.3562										
	Interoffice Transport - Dedicated - DS1 - combination Facility Termination Per Month			UNC1X	U1TF1	\$77.83	\$171.24	\$113.12	\$70.07	\$30.9	\$3.5		\$31.26	\$10.42		
	Channelization - Channel System DS1 to DS0 combination Per Month			UNC1X	MQ1	\$165.21	\$214.52	\$49.95	\$75.98	\$13.6						
	OCU-DP COCI (data) - DS1 to DS0 Channel System - per month (2.4-64kbs)			UNCDX	1D1DD	\$0.91	\$5.7	\$4.42								
	Additional 4-Wire 56Kbps Digital Grade Loop same DS1 Interoffice Transport Combination - Zone 1		1	UNCDX	UDL56	\$31.1	\$108.76	\$35.47	\$72.94	\$10.86	\$3.5		\$31.26	\$10.42		
	Additional 4-Wire 56Kbps Digital Grade Loop same DS1 Interoffice Transport Combination - Zone 2		2	UNCDX	UDL56	\$40.61	\$108.76	\$35.47	\$72.94	\$10.86	\$3.5		\$31.26	\$10.42		
	Additional 4-Wire 56Kbps Digital Grade Loop same DS1 Interoffice Transport Combination - Zone 3		3	UNCDX	UDL56	\$53.11	\$108.76	\$35.47	\$72.94	\$10.9	\$3.5		\$31.26	\$10.42		
	OCU-DP COCI (data) - DS1 to DS0 Channel System - combination per month (2.4-64kbs)			UNCDX	1D1DD	\$0.3562	\$6.07	\$4.66								
	Nonrecurring Currently Combined Network Elements Switch -As-Is Charge			UNC1X	UNCCC		\$52.73	\$24.62	\$9.12	\$9.12	\$3.5	\$19.99				
4-WIRE 64 KBPS EXTENDED DIGITAL LOOP WITH DEDICATED DS1 INTEROFFICE TRANSPORT (EEL)																
	First 4-Wire 64Kbps Digital Grade Loop/DS1 Interoffice Transport Combination - Zone 1		1	UNCDX	UDL64	\$31.1	\$108.76	\$35.47	\$72.94	\$10.9	\$3.5		\$31.26	\$10.42		
	First 4-Wire 64Kbps Digital Grade Loop/DS1 Interoffice Transport Combination - Zone 2		2	UNCDX	UDL64	\$40.61	\$108.76	\$35.47	\$72.94	\$10.9	\$3.5		\$31.26	\$10.42		
	First 4-Wire 64Kbps Digital Grade Loop/DS1 Interoffice Transport Combination - Zone 3		3	UNCDX	UDL64	\$53.11	\$108.76	\$35.47	\$72.94	\$10.9	\$3.5		\$31.26	\$10.42		
	Interoffice Transport - Dedicated - DS1 combination - Per Mile Per Month			UNC1X	1L5XX	\$0.3562										
	Interoffice Transport - Dedicated - DS1 combination - Facility Termination Per Month			UNC1X	U1TF1	\$77.83	\$171.2	\$113.12	\$70.07	\$30.90	\$3.5		\$31.26	\$10.42		
	Channelization - Channel System DS1 to DS0 combination Per Month			UNC1X	MQ1	\$165.21	\$214.5	\$49.95	\$75.98	\$13.60						
	OCU-DP COCI (data) - DS1 to DS0 Channel System combination - per month (2.4-64kbs)			UNCDX	1D1DD	\$0.91	\$5.70	\$4.42								
	Additional 4-Wire 64Kbps Digital Grade Loop same DS1 Interoffice Transport Combination - Zone 1		1	UNCDX	UDL64	\$31.1	\$108.76	\$35.47	\$72.94	\$10.9	\$3.5		\$31.26	\$10.42		
	Additional 4-Wire 64Kbps Digital Grade Loop same DS1 Interoffice Transport Combination - Zone 2		2	UNCDX	UDL64	\$40.61	\$108.76	\$35.47	\$72.94	\$10.86	\$3.5		\$31.26	\$10.42		
	Additional 4-Wire 64Kbps Digital Grade Loop same DS1 Interoffice Transport Combination - Zone 3		3	UNCDX	UDL64	\$53.11	\$108.76	\$35.47	\$72.94	\$10.86	\$3.5		\$31.26	\$10.42		
	OCU-DP COCI (data) - DS1 to DS0 Channel System combination - per month (2.4-64kbs)			UNCDX	1D1DD	\$0.91	\$5.70	\$4.42								
	Nonrecurring Currently Combined Network Elements Switch -As-Is Charge			UNC1X	UNCCC		\$52.73	\$24.62	\$9.12	\$9.12	\$3.5	\$19.99				
4-WIRE DS1 DIGITAL EXTENDED LOOP WITH DEDICATED DS1 INTEROFFICE TRANSPORT (EEL)																
	4-Wire DS1 Digital Loop in Combination with DS1 Interoffice Transport - Zone 1		1	UNC1X	USLXX	\$57.73	\$228.4	\$161.74	\$79.87	\$24.88	\$3.5		\$31.26	\$10.42		
	4-Wire DS1 Digital Loop in Combination with DS1 Interoffice Transport - Zone 2		2	UNC1X	USLXX	\$75.4	\$228.	\$161.74	\$79.9	\$24.88	\$3.5		\$31.26	\$10.42		
	4-Wire DS1 Digital Loop in Combination with DS1 Interoffice Transport - Zone 3		3	UNC1X	USLXX	\$98.59	\$228.	\$161.74	\$79.9	\$24.88	\$3.5		\$31.26	\$10.42		
	Interoffice Transport - Dedicated - DS1 combination - Per Mile Per Month			UNC1X	1L5XX	\$0.3562										
	Interoffice Transport - Dedicated - DS1 combination - Facility Termination Per Month			UNC1X	U1TF1	\$77.83	\$171.24	\$113.12	\$70.07	\$30.90	\$3.50		\$31.26	\$10.42		

BELLSOUTH / METROMEDIA FIBER NETWORK SERVICES RATES
Unbundled Network Elements
TENNESSEE

CATEGORY	NOTES	UNBUNDLED NETWORK ELEMENT		Interim	Zone	BCS	USOC	RATES				OSS RATES									
								Rec	First	Add'l	Disconnect	SOME C	SOMAN	SOMAN	SOMAN	SOMAN	SOMAN				
																		Nonrecurring		Nonrecurring	
																		First	Add'l	First	Add'l
	Nonrecurring Currently Combined Network Elements Switch -As-Is Charge					UNC1X	UNCCC		\$52.73	\$24.62	\$9.12	\$9.12	\$3.5	\$19.99							
	4-WIRE DS1 DIGITAL EXTENDED LOOP WITH DEDICATED DS3 INTEROFFICE TRANSPORT (EEL)																				
	First DS1 Loop in DS3 Interoffice Transport Combination - Zone 1		1			UNC1X	USLXX	\$57.73	\$240.23	\$180.87	\$106.78	\$45.24	\$3.5		\$31.26	\$10.42					
	First DS1 Loop in DS3 Interoffice Transport Combination - Zone 2		2			UNC1X	USLXX	\$75.4	\$240.23	\$180.87	\$106.78	\$45.24	\$3.5		\$31.26	\$10.42					
	First DS1 Loop in DS3 Interoffice Transport Combination - Zone 3		3			UNC1X	USLXX	\$98.59	\$240.23	\$180.87	\$106.78	\$45.24	\$3.5		\$31.26	\$10.42					
	Interoffice Transport - Dedicated - DS3 combination - Per Mile Per Month					UNC3X	1L5XX	\$2.34													
	Interoffice Transport - Dedicated - DS3 - Facility Termination per month					UNC3X	U1TF3	\$646.77	\$428.1	\$153.81	\$64.43	\$35.43	\$3.5		\$31.26	\$10.42					
	DS3 to DS1 Channel System combination per month					UNC3X	MQ3	\$431.18	\$319.48	\$126.63	\$45.53	\$17.05									
	DS3 Interface Unit (DS1 COC) combination per month					UNC1X	UC1D1	\$17.53	\$6.52	\$2.58											
	Additional DS1 Loop in DS3 Interoffice Transport Combination - Zone 1		1			UNC1X	USLXX	\$57.73	\$240.23	\$180.87	\$106.8	\$45.24	\$3.5	\$0.00							
	Additional DS1 Loop in DS3 Interoffice Transport Combination - Zone 2		2			UNC1X	USLXX	\$75.4	\$240.23	\$180.87	\$106.8	\$45.24	\$3.5	\$0.00							
	Additional DS1 Loop in DS3 Interoffice Transport Combination - Zone 3		3			UNC1X	USLXX	\$98.59	\$240.23	\$180.87	\$106.8	\$45.24	\$3.5	\$0.00							
	DS3 Interface Unit (DS1 COC) combination per month					UNC1X	UC1D1	\$17.53	\$6.52	\$2.58											
	Nonrecurring Currently Combined Network Elements Switch -As-Is Charge					UNC3X	UNCCC	\$52.73	\$24.62	\$9.12	\$9.12		\$3.5	\$0.00							
	2-WIRE VOICE GRADE EXTENDED LOOP/ 2 WIRE VOICE GRADE INTEROFFICE TRANSPORT (EEL)																				
	2-Wire VG Loop used with 2-wire VG Interoffice Transport Combination - Zone 1		1			UNCVX	UEAL2	\$75.33	\$108.76	\$35.47	\$72.94	\$10.86									
	2-Wire VG Loop used with 2-wire VG Interoffice Transport Combination - Zone 2		2			UNCVX	UEAL2	\$21.63	\$108.76	\$35.47	\$72.94	\$10.86									
	2-Wire VG Loop used with 2-wire VG Interoffice Transport Combination - Zone 3		3			UNCVX	UEAL2	\$28.28	\$108.76	\$35.47	\$72.94	\$10.86									
	Interoffice Transport - Dedicated - 2-wire VG combination - Per Mile Per Month					UNCVX	1L5XX	\$0.0174													
	Interoffice Transport - Dedicated - 2-Wire Voice Grade combination - Facility Termination per month					UNCVX	U1TV2	\$121.79	\$79.86	\$44.06	\$69.32	\$31.00	\$3.50		\$31.26	\$10.42					
	Nonrecurring Currently Combined Network Elements Switch -As-Is Charge					UNCVX	UNCCC	\$52.73	\$24.62	\$9.12	\$9.12		\$3.5	\$19.99							
	4-WIRE VOICE GRADE EXTENDED LOOP/ 4 WIRE VOICE GRADE INTEROFFICE TRANSPORT (EEL)																				
	4-Wire VG Loop used with 4-wire VG Interoffice Transport Combination - Zone 1		1			UNCVX	UEAL4	\$24.7	\$108.75	\$35.47	\$72.94	\$10.85									
	4-Wire VG Loop used with 4-wire VG Interoffice Transport Combination - Zone 2		2			UNCVX	UEAL4	\$32.25	\$108.75	\$35.47	\$72.94	\$10.85									
	4-Wire VG Loop used with 4-wire VG Interoffice Transport Combination - Zone 3		3			UNCVX	UEAL4	\$42.17	\$108.75	\$35.47	\$72.94	\$10.85									
	Interoffice Transport - Dedicated - 4-wire VG combination - Per Mile Per Month					UNCVX	1L5XX	\$0.0174													
	Interoffice Transport - Dedicated - 4-Wire Voice Grade combination - Facility Termination per month					UNCVX	U1TV4	\$27.3	\$79.83	\$44.08	\$69.32	\$31.00	\$3.5		\$31.26	\$10.42					
	Nonrecurring Currently Combined Network Elements Switch -As-Is Charge					UNCVX	UNCCC	\$52.73	\$24.62	\$9.12	\$9.12		\$3.5	\$19.99							
	DS3 DIGITAL EXTENDED LOOP WITH DEDICATED DS3 INTEROFFICE TRANSPORT (EEL)																				
	High Capacity Unbundled Local Loop - DS3 combination - Per Mile per month					UNC3X	1L5ND	\$9.19													
	High Capacity Unbundled Local Loop - DS3 combination - Facility Termination per month					UNC3X	UE3PX	\$581.67	\$240.23	\$180.87	\$106.78	\$45.24									
	Interoffice Transport - Dedicated - DS3 - Per Mile per month					UNC3X	1L5XX	\$2.34													
	Interoffice Transport - Dedicated - DS3 combination - Facility Termination per month					UNC3X	U1TF3	\$646.77	\$428.01	\$153.81	\$64.43	\$35.43	\$3.50		\$31.26	\$10.42					
	Nonrecurring Currently Combined Network Elements Switch -As-Is Charge					UNC3X	UNCCC	\$52.73	\$24.62	\$9.12	\$9.12		\$3.5	\$19.99							
	STS1 DIGITAL EXTENDED LOOP WITH DEDICATED STS1 INTEROFFICE TRANSPORT (EEL)																				

BELLSOUTH / METROMEDIA FIBER NETWORK SERVICES RATES
Unbundled Network Elements
TENNESSEE

CATEGORY	NOTES	UNBUNDLED NETWORK ELEMENT	Interim	Zone	BCS	USOC	RATES					OSS RATES												
							Rec	First	Add'l	First	Add'l	SOME C	SOMAN	SOMAN	SOMAN	SOMAN	SOMAN							
																		Nonrecurring		Nonrecurring				
							Disconnect		Disconnect															
		High Capacity Unbundled Local Loop - STS1 combination - Per Mile per month			UNCSX	1L5ND	\$9.19																	
		High Capacity Unbundled Local Loop - STS1 combination - Facility Termination per month			UNCSX	UDLS1	\$602.75	\$240.23	\$180.87	\$106.78	\$45.24													
		Interoffice Transport - Dedicated - STS1 combination - Per Mile per month			UNCSX	1L5XX	\$2.34																	
		Interoffice Transport - Dedicated - STS1 combination - Facility Termination per month			UNCSX	U1TFS	\$641.1	\$428.01	\$153.81	\$64.43	\$35.43	\$3.50		\$31.28	\$10.42									
		Nonrecurring Currently Combined Network Elements Switch -As-Is Charge			UNCSX	UNCCC		\$52.73	\$24.62	\$9.12	\$9.12	\$3.5	\$19.99											
		2-WIRE ISDN EXTENDED LOOP WITH DS1 INTEROFFICE TRANSPORT (EEL)																						
		First 2-Wire ISDN Loop/DS1 Interoffice Combination Transport - Zone 1		1	UNCNX	U1L2X	\$26.93	\$108.76	\$35.47	\$72.94	\$10.86	\$3.50		\$31.26	\$10.42									
		First 2-Wire ISDN Loop/DS1 Interoffice Combination Transport - Zone 2		2	UNCNX	U1L2X	\$33.73	\$108.76	\$35.47	\$72.94	\$10.86	\$3.50		\$31.26	\$10.42									
		First 2-Wire ISDN Loop/DS1 Interoffice Combination Transport - Zone 3		3	UNCNX	U1L2X	\$42.66	\$108.76	\$35.47	\$72.94	\$10.86	\$3.50		\$31.26	\$10.42									
		Interoffice Transport - Dedicated - DS1 combination - Per Mile			UNC1X	1L5XX	\$0.3562																	
		Interoffice Transport - Dedicated - DS1 combination - Facility Termination per month			UNC1X	U1TF1	\$77.83	\$171.24	\$113.12	\$70.07	\$30.9	\$3.50		\$31.26	\$10.42									
		Channelization - Channel System DS1 to DS0 combination - per month			UNC1X	MQ1	\$165.21	\$49.95	\$75.98	\$13.6														
		2-wire ISDN COCI (BRITE) - DS1 to DS0 Channel System combination - per month			UNCNX	UC1CA	\$3.1	\$6.16	\$0.6															
		Additional 2-wire ISDN Loop in same DS1 Interoffice Transport Combination - Zone 1		1	UNCNX	U1L2X	\$26.93	\$108.76	\$35.47	\$72.94	\$10.86	\$3.50		\$31.26	\$10.42									
		Additional 2-wire ISDN Loop in same DS1 Interoffice Transport Combination - Zone 2		2	UNCNX	U1L2X	\$33.73	\$108.76	\$35.47	\$72.94	\$10.86	\$3.50		\$31.26	\$10.42									
		Additional 2-wire ISDN Loop in same DS1 Interoffice Transport Combination - Zone 3		3	UNCNX	U1L2X	\$42.66	\$108.76	\$35.47	\$72.94	\$10.86	\$3.50		\$31.26	\$10.42									
		2-wire ISDN COCI (BRITE) - DS1 to DS0 Channel System combination- per month			UNCNX	UC1CA	\$3.1	\$6.16	\$0.6															
		Nonrecurring Currently Combined Network Elements Switch -As-Is Charge			UNC1X	UNCCC		\$52.73	\$24.62	\$9.12	\$9.12	\$3.5	\$19.99											
		4-WIRE DS1 DIGITAL EXTENDED LOOP WITH DEDICATED STS-1 INTEROFFICE TRANSPORT (EEL)																						
		First DS1 Loop in STS1 Interoffice Transport Combination - Zone 1		1	UNC1X	USLXX	\$57.73	\$228.4	\$113.12	\$79.67	\$24.88	\$3.5		\$31.26	\$10.42									
		First DS1 Loop in STS1 Interoffice Transport Combination - Zone 2		2	UNC1X	USLXX	\$75.4	\$228.400	\$113.12	\$79.7	\$24.88	\$3.5		\$31.26	\$10.42									
		First DS1 Loop in STS1 Interoffice Transport Combination - Zone 3		3	UNC1X	USLXX	\$98.59	\$228.400	\$113.12	\$79.7	\$24.88	\$3.5		\$31.26	\$10.42									
		Interoffice Transport - Dedicated - STS1 combination - Per Mile Per Month			UNCSX	1L5XX	\$2.34																	
		Interoffice Transport - Dedicated - STS1 combination - Facility Termination			UNCSX	U1TFS	\$849.3	\$426.01	\$153.61	\$64.43	\$35.43	\$3.5		\$31.26	\$10.42									
		STS1 to DS1 Channel System combination per month			UNCSX	MQ3	\$229.98	\$428.01	\$153.81	\$64.43	\$25.43													
		DS3 Interface Unit (DS1 COCI) combination per month			UNC1X	UC1D1	\$17.58	\$5.7	\$4.42															
		Additional DS1 Loop in STS1 Interoffice Transport Combination - Zone 1		1	UNC1X	USLXX	\$57.73	\$228.400	\$113.12	\$79.7	\$24.88	\$3.5		\$31.26	\$10.42									
		Additional DS1 Loop in STS1 Interoffice Transport Combination - Zone 2		2	UNC1X	USLXX	\$75.4	\$228.400	\$113.12	\$79.7	\$24.88	\$3.5		\$31.26	\$10.42									
		Additional DS1 Loop in STS1 Interoffice Transport Combination - Zone 3		3	UNC1X	USLXX	\$98.59	\$228.400	\$113.12	\$79.7	\$24.88	\$3.5		\$31.26	\$10.42									
		DS3 Interface Unit (DS1 COCI) combination per month			UNC1X	UC1D1	\$17.58	\$5.70	\$4.42															
		Nonrecurring Currently Combined Network Elements Switch -As-Is Charge			UNCSX	UNCCC		\$52.73	\$24.62	\$9.12	\$9.12	\$3.5	\$19.99											
		4-WIRE 56 KBPS DIGITAL EXTENDED LOOP WITH 56 KBPS INTEROFFICE TRANSPORT (EEL)																						
		4-wire 56 kbps Loop/4-wire 56 kbps Interoffice Transport Combination - Zone 1		1	UNCDX	UDL56	\$31.1	\$108.76	\$35.47	\$72.94	\$10.86													
		4-wire 56 kbps Loop/4-wire 56 kbps Interoffice Transport Combination - Zone 2		2	UNCDX	UDL56	\$40.61	\$108.76	\$35.47	\$72.94	\$10.86													
		4-wire 56 kbps Loop/4-wire 56 kbps Interoffice Transport Combination - Zone 3		3	UNCDX	UDL56	\$53.11	\$108.76	\$35.47	\$72.94	\$10.9													

BELLSOUTH / METROMEDIA FIBER NETWORK SERVICES RATES
Unbundled Network Elements
TENNESSEE

CATEGORY	NOTES	UNBUNDLED NETWORK ELEMENT				BCS	USOC	RATES				OSS RATES								
		Interim	Zone	Rec	First			Add'l	First	Add'l	Disconnect	Add'l	SOME C	SOMAN	SOMAN	SOMAN	SOMAN	SOMAN		
																			Nonrecurring	Nonrecurring
	Interoffice Transport - Dedicated - 4-wire 56 kbps combination - Per Mile			UNCDX	1L5XX	\$0.174														
	Interoffice Transport - Dedicated - 4-wire 56 kbps combination - Facility Termination			UNCDX	U1TD5	\$22.1	\$58.54	\$38.32	\$13.98	\$8.59	\$3.50	\$19.99								
	Nonrecurring Currently Combined Network Elements Switch -As-Is Charge			UNCDX	UNCCC		\$52.73	\$24.62	\$9.12	\$9.12	\$3.5	\$19.99								
	4-WIRE 64 KBPS DIGITAL EXTENDED LOOP WITH 64 KBPS INTEROFFICE TRANSPORT (EEL)																			
	4-wire 64 kbps Loop/4-wire 64 kbps Interoffice Transport Combination - Zone 1		1	UNCDX	UDL64	\$31.1	\$108.76	\$35.47	\$72.94	\$10.9										
	4-wire 64 kbps Loop/4-wire 64 kbps Interoffice Transport Combination - Zone 2		2	UNCDX	UDL64	\$40.61	\$108.76	\$35.47	\$72.94	\$10.9										
	4-wire 64 kbps Loop/4-wire 64 kbps Interoffice Transport Combination - Zone 3		3	UNCDX	UDL64	\$53.11	\$35.47	\$35.47	\$72.94	\$10.9										
	Interoffice Transport - Dedicated - 4-wire 64 kbps combination - Per Mile			UNCDX	1L5XX	\$0.174														
	Interoffice Transport - Dedicated - 4-wire 64 kbps combination - Facility Termination			UNCDX	U1TD6	\$22.1	\$58.54	\$38.32	\$13.98	\$8.59	\$3.50	\$19.99								
	Nonrecurring Currently Combined Network Elements Switch -As-Is Charge			UNCDX	UNCCC		\$52.73	\$24.62	\$9.12	\$9.12	\$3.5	\$19.99								
	ADDITIONAL NETWORK ELEMENTS																			
	When used as a part of a currently combined facility, the non-recurring charges do not apply, but a Switch As Is charge does apply.																			
	When used as ordinarily combined network elements in Georgia, the non-recurring charges apply and the Switch As Is Charge does not.																			
	Node (SynchroNet)																			
	Node per month			UNCDX	UNCNT	\$17.11														
	Nonrecurring Currently Combined Network Elements "Switch As Is" Charge (One applies to each combination)																			
	2/4-Wire VG Interoffice Channel used in a COMBINATION - "Switch As Is" Conversion Charge			UNCVX	UNCCC		\$52.73	\$24.62	\$9.12	\$9.12	\$3.5	\$19.99								
	56/64 kbps Interoffice Channel used in a COMBINATION - "Switch As Is" Conversion Charge			UNCDX	UNCCC		\$52.73	\$24.62	\$9.12	\$9.12	\$3.5	\$19.99								
	DS1 Interoffice Channel used in a COMBINATION - "Switch As Is" Conversion Charge			UNC1X	UNCCC		\$52.73	\$24.62	\$9.12	\$9.12	\$3.5	\$19.99								
	DS3 Interoffice Channel used in a COMBINATION - "Switch As Is" Conversion Charge			UNC3X	UNCCC		\$52.73	\$24.62	\$9.12	\$9.12	\$3.5	\$19.99								
	STS1 Interoffice or Local Loop used in a COMBINATION - "Switch As Is" Conversion Charge			UNCSX	UNCCC		\$52.73	\$24.62	\$9.12	\$9.12	\$3.5	\$19.99								
	NOTE: Local Channel - Dedicated Transport - minimum billing period - Below DS3=one month, DS3 and above=four months																			
	Local Channel - Dedicated - 2-Wire Voice Grade per month			UNCXV	ULDV2	\$19.02														
	Local Channel - Dedicated - 4-Wire Voice Grade per month			UNCXV	ULDV4	\$20.56														
	Local Channel - Dedicated - DS1 Per Month			UNC1X	ULDF1	\$40.00														
	Local Channel - Dedicated - DS3 - Per Mile per month			UNC3X	1L5NC	\$7.15														
	Local Channel - Dedicated - DS3 - Facility Termination per month			UNC3X	ULDF3	\$611.3														
	Local Channel - Dedicated - STS-1 - Per Mile per month			UNCSX	1L5NC	\$7.15														
	Local Channel - Dedicated - STS-1 - Facility Termination per month			UNCSX	ULDFS	\$599.99														

BELLSOUTH / METROMEDIA FIBER NETWORK SERVICES RATES
Unbundled Network Elements
TENNESSEE

CATEGORY	NOTES	UNBUNDLED NETWORK ELEMENT	Interim	Zone	BCS	USOC	RATES				OSS RATES									
							Rec	Nonrecurring		Disconnect	Svc Order Submitted Elec per LSR	Svc Order Submitted Manually per LSR	Incremental Charge - Manual Svc Order vs. Electronic-1st	Incremental Charge - Manual Svc Order vs. Electronic-Disc Add'l	Incremental Charge - Manual Svc Order vs. Electronic-Disc 1st	Incremental Charge - Manual Svc Order vs. Electronic-Disc Add'l				
								First	Add'l								First	Add'l		
							SOME	SOMAN	SOMAN	SOMAN	SOMAN	SOMAN								

BELLSOUTH / METROMEDIA FIBER NETWORK SERVICES RATES
Unbundled Network Elements
ALABAMA

CATEGORY	NOTES	UNBUNDLED NETWORK ELEMENT	Interim	Zone	BCS	USOC	RATES					OSS RATES							
							Rec	First	Add'l	First	Add'l	Svc Order Submitted Elec per LSR	Svc Order Submitted Manually per LSR	Incremental Charge - Manual Svc Order vs. Electronic-1st	Incremental Charge - Manual Svc Order vs. Electronic-Add'l	Incremental Charge - Manual Svc Order vs. Electronic-Disc 1st	Incremental Charge - Manual Svc Order vs. Electronic-Disc Add'l		
																		Nonrecurring	Nonrecurring
																			Disconnect
SOMEC	SOMAN	SOMAN	SOMAN	SOMAN															
Geographically Deaveraged UNE Zones and applicable rates have been established for certain services, as shown in this Agreement. Where Geographically Deaveraged UNE Zones and applicable rates are established, Statewide rates are obsolete. Further, BellSouth is in the process of enhancing its billing systems in order to accommodate this Geographically Deaveraged UNE Zone Rate Structure. Until these enhancements are accomplished, estimated to be mid 2001, the UNE Zone 1 rate will be billed for all services residing in Zones 1, 2, 3 or 4, i.e., Rates for services residing in UNE Zones 2, 3 and UNE Zone 4, where applicable, will not be billed. Once billing enhancements are complete, all applicable UNE Zone rates reflected in this Agreement will be billed. Reference Internet Website http://www.interconnection.bellsouth.com/become_clec/docs/interconnection/deavuzns.pdf to view Geographically Deaveraged UNE Zone Designations by Central Office.																			
UNBUNDLED LOCAL EXCHANGE SWITCHING(PORTS)																			
Exchange Ports																			
NOTE: Although the Port Rate includes all available features in GA & TN, the desired features will need to be ordered using retail USOCs																			
2-WIRE VOICE GRADE LINE PORT RATES (RES)																			
		Exchange Ports - 2-Wire Analog Line Port- Res.			UEPSR	UEPRL	\$2.07	\$21.93	\$21.93	\$6.21	\$6.21	\$3.50	\$27.37	\$12.97	\$17.77	\$1.44			
		Exchange Ports - 2-Wire Analog Line Port with Caller ID - Res.			UEPSR	UEPRC	\$2.07	\$21.93	\$21.93	\$6.21	\$6.21	\$3.50	\$27.37	\$12.97	\$17.77	\$1.44			
		Exchange Ports - 2-Wire Analog Line Port outgoing only - Res.			UEPSR	UEPRO	\$2.07	\$21.93	\$21.93	\$6.21	\$6.21	\$3.50	\$27.37	\$12.97	\$17.77	\$1.44			
		Exchange Ports - 2-Wire VG unbundled AL extended local dialing parity Port with Caller ID - Res.			UEPSR	UEPAR	\$2.07	\$21.93	\$21.93	\$6.21	\$6.21	\$3.50	\$27.37	\$12.97	\$17.77	\$1.44			
		Exchange Ports - 2-Wire VG unbundled res, low usage line port with Caller ID (LUM)			UEPSR	UEPAP	\$2.07	\$21.93	\$21.93	\$6.21	\$6.21	\$3.50	\$27.37	\$12.97	\$17.77	\$1.44			
		Subsequent Activity			UEPSR	USASC	\$0.0	\$0.0	\$0.0			\$3.50	\$19.99						
		FEATURES																	
		All Available Vertical Features			UEPSR	UEPVF	\$5.55	\$0.0	\$0.0			\$3.5	\$27.37	\$12.97	\$17.77	\$1.44			
2-WIRE VOICE GRADE LINE PORT RATES (BUS)																			
		Exchange Ports - 2-Wire Analog Line Port without Caller ID - Bus			UEPSB	UEPBL	\$2.07	\$21.93	\$21.93	\$6.21	\$6.21	\$3.50	\$27.37	\$12.97	\$17.77	\$1.44			
		Exchange Ports - 2-Wire VG unbundled Line Port with unbundled port with Caller+E484 ID - Bus.			UEPSB	UEPBC	\$2.07	\$21.93	\$21.93	\$6.21	\$6.21	\$3.50	\$27.37	\$12.97	\$17.77	\$1.44			
		Exchange Ports - 2-Wire Analog Line Port outgoing only - Bus.			UEPSB	UEPBO	\$2.07	\$21.93	\$21.93	\$6.21	\$6.21	\$3.50	\$27.37	\$12.97	\$17.77	\$1.44			
		Exchange Ports - 2-Wire VG unbundled AL extended local dialing parity Port with Caller ID - Bus.			UEPSB	UEPAW	\$2.07	\$21.93	\$21.93	\$6.21	\$6.21	\$3.50	\$27.37	\$12.97	\$17.77	\$1.44			
		Exchange Ports - 2-Wire VG unbundled incoming only port with Caller ID - Bus			UEPSB	UEPB1	\$2.07	\$21.93	\$21.93	\$6.21	\$6.21	\$3.50	\$27.37	\$12.97	\$17.77	\$1.44			
		Subsequent Activity			UEPSB	USASC	\$0.0	\$0.0	\$0.0			\$3.50	\$19.99						
		FEATURES																	
		All Available Vertical Features			UEPSB	UEPVF	\$5.55	\$0.0	\$0.0			\$3.50	\$27.37	\$12.97	\$17.77	\$1.44			
EXCHANGE PORT RATES (DID & PBX)																			
		Exchange Ports - 2-Wire DID Port			UEPEX	UEPP2	\$9.20	\$238.61	\$37.48	\$119.79		\$3.50	\$19.99						
		Exchange Ports - DDITS Port - 4-Wire DS1 Port with DID capability			UEPDD	UEPDD	\$68.67	\$404.04	\$191.38	\$145.18	\$4.92		\$19.99						
		Exchange Ports - 2-Wire ISDN Port (See Notes below.)			UEPTX UEPSX	U1PMA	\$11.19	\$145.54	\$105.97	\$95.57	\$21.47	\$3.50	\$19.99						
		All Features Offered			UEPTX UEPSX	UEPVF	\$5.55	\$0.0	\$0.0										
NOTE: Transmission/usage charges associated with POTS circuit switched usage will also apply to circuit switched voice and/or circuit switched data transmission by B-Channels associated with 2-wire ISDN ports.																			
NOTE: Access to B Channel or D Channel Packet capabilities will be available only through BFR/New Business Request Process. Rates for the packet capabilities will be determined via the Bona Fide Request/New Business Request Process.																			

BELLSOUTH / METROMEDIA FIBER NETWORK SERVICES RATES
Unbundled Network Elements
ALABAMA

CATEGORY	NOTES	UNBUNDLED NETWORK ELEMENT	Interim	Zone	BCS	USOC	RATES					OSS RATES										
							Rec	First	Add'l	First	Add'l	SOMEC	SOMAN	SOMAN	SOMAN	SOMAN	SOMAN	Incremental Charge - Manual Svc Order vs. Electronic-Disc 1st	Incremental Charge - Manual Svc Order vs. Electronic-Disc Add'l			
																				Nonrecurrent	Nonrecurrent	Disconnect
		Exchange Ports - 2-Wire ISDN Port -- Channel Profiles			UEPTX UEPSX	U1UMA	\$0.0	\$0.0	\$0.0													
		Exchange Ports - 4-Wire ISDN DS1 Port			UEPEX	UEPEX	\$96.37	\$407.62	\$203.11	\$158.35	\$40.11	\$3.50		\$54.75	\$54.75	\$11.53	\$11.53					
		2-Wire VG Unbundled 2-Way PBX Trunk - Res			UEPSE	UEPRD	\$2.07	\$21.93	\$21.93	\$6.21	\$6.21	\$3.50		\$27.37	\$12.97	\$17.77	\$1.44					
		2-Wire VG Line Side Unbundled 2-Way PBX Trunk - Bus			UEPSP	UEPPC	\$2.07	\$21.93	\$21.93	\$6.21	\$6.21	\$3.50		\$27.37	\$12.97	\$17.77	\$0.48					
		2-Wire VG Line Side Unbundled Outward PBX Trunk - Bus			UEPSP	UEPPO	\$2.07	\$21.93	\$21.93	\$6.21	\$6.21	\$3.50		\$27.37	\$12.97	\$17.77	\$1.44					
		2-Wire VG Line Side Unbundled Incoming PBX Trunk - Bus			UEPSP	UEPP1	\$2.07	\$21.93	\$21.93	\$6.21	\$6.21	\$3.50		\$27.37	\$12.97	\$17.77	\$1.44					
		2-Wire Analog Long Distance Terminal PBX Trunk - Bus			UEPSP	UEPLD	\$2.07	\$21.93	\$21.93	\$6.21	\$6.21	\$3.50		\$27.37	\$12.97	\$17.77	\$1.44					
		2-Wire Analog TN 2-Way Calling Plan PBX Trunk - Bus			UEPSP	UEPT2	\$2.07	\$21.93	\$21.93	\$6.21	\$6.21	\$3.50		\$27.37	\$12.97	\$17.77	\$1.44					
		2-Wire TN Outward Calling Plan PBX Trunk - Bus			UEPSP	UEPTO	\$2.07	\$21.93	\$21.93	\$6.21	\$6.21	\$3.50		\$27.37	\$12.97	\$17.77	\$1.44					
		2-Wire Voice Unbundled 2-Way PBX Alabama Calling Port			UEPSP	UEPA2	\$2.07	\$21.93	\$21.93	\$6.21	\$6.21	\$3.50		\$27.37	\$12.97	\$17.77	\$1.44					
		2-Wire Voice Unbundled PBX LD Terminal Ports			UEPSP	UEPLD	\$2.07	\$21.93	\$21.93	\$6.21	\$6.21	\$3.50		\$27.37	\$12.97	\$17.77	\$1.44					
		2-Wire Voice Unbundled 2-Way PBX Usage Port			UEPSP	UEPXA	\$2.07	\$21.93	\$21.93	\$6.21	\$6.21	\$3.50		\$27.37	\$12.97	\$17.77	\$1.44					
		2-Wire Voice Unbundled PBX Toll Terminal Hotel Ports			UEPSP	UEPXB	\$2.07	\$21.93	\$21.93	\$6.21	\$6.21	\$3.50		\$27.37	\$12.97	\$17.77	\$1.44					
		2-Wire Voice Unbundled PBX LD DDD Terminals Port			UEPSP	UEPXC	\$2.07	\$21.93	\$21.93	\$6.21	\$6.21	\$3.50		\$27.37	\$12.97	\$17.77	\$1.44					
		2-Wire Voice Unbundled PBX LD Terminal Switchboard Port			UEPSP	UEPXD	\$2.07	\$21.93	\$21.93	\$6.21	\$6.21	\$3.50		\$27.37	\$12.97	\$17.77	\$1.44					
		2-Wire Voice Unbundled PBX LD Terminal Switchboard IDD Capable Port			UEPSP	UEPXE	\$2.07	\$21.93	\$21.93	\$6.21	\$6.21	\$3.50		\$27.37	\$12.97	\$17.77	\$1.44					
		2-Wire Voice Unbundled 2-Way PBX Hotel/Hospital Economy Administrative Calling Port			UEPSP	UEPXL	\$2.07	\$21.93	\$21.93	\$6.21	\$6.21	\$3.50		\$27.37	\$12.97	\$17.77	\$1.44					
		2-Wire Voice Unbundled 2-Way PBX Hotel/Hospital Economy Room Calling Port			UEPSP	UEPXM	\$2.07	\$21.93	\$21.93	\$6.21	\$6.21	\$3.50		\$27.37	\$12.97	\$17.77	\$1.44					
		2-Wire Voice Unbundled 1-Way Outgoing PBX Hotel/Hospital Discount Room Calling Port			UEPSP	UEPXO	\$2.07	\$21.93	\$21.93	\$6.21	\$6.21	\$3.50		\$27.37	\$12.97	\$17.77	\$1.44					
		2-Wire Voice Unbundled 1-Way Outgoing PBX Measured Port			UEPSP	UEPXS	\$2.07	\$21.93	\$21.93	\$6.21	\$6.21	\$3.50		\$27.37	\$12.97	\$17.77	\$1.44					
		Subsequent Activity			UEPSP	USASC	\$0.0	\$0.0	\$0.0			\$3.50	\$19.99									
	FEATURES																					
		All Available Vertical Features			UEPSP UEPSE	UEPVF	\$5.55	\$0.0	\$0.0			\$3.5		\$27.37	\$12.97	\$17.77	\$1.44					
	EXCHANGE PORT RATES (COIN)																					
		Exchange Ports - Coin Port					\$2.34	\$21.93	\$21.93	\$5.21	\$5.21	\$3.50		\$25.93	\$12.97	\$16.33	\$0.48					
<p>NOTE: Transmission/usage charges associated with POTS circuit switched usage will also apply to circuit switched voice and/or circuit switched data transmission by B-Channels associated with 2-wire ISDN ports.</p>																						
<p>NOTE: Access to B Channel or D Channel Packet capabilities will be available only through BFR/New Business Request Process. Rates for the packet capabilities will be determined via the Bona Fide Request/New Business Request Process.</p>																						
UNBUNDLED LOCAL SWITCHING, PORT USAGE																						
		End Office Switching (Port Usage)																				
		End Office Switching Function, Per MOU					\$0.0018															
		End Office Trunk Port - Shared, Per MOU					\$0.0002															
		Tandem Switching (Port Usage) (Local or Access Tandem)																				
		Tandem Switching Function Per MOU					\$0.00063															
		Common Transport																				
		Common Transport - Per Mile, Per MOU					\$0.00001															
		Common Transport - Facilities Termination Per MOU					\$0.00045															
UNBUNDLED PORT/LOOP COMBINATIONS																						
UNBUNDLED PORT/LOOP COMBINATIONS - COST BASED RATES																						

BELLSOUTH / METROMEDIA FIBER NETWORK SERVICES RATES
Unbundled Network Elements
ALABAMA

CATEGORY	NOTES	UNBUNDLED NETWORK ELEMENT	Interim	Zone	BCS	USOC	RATES				OSS RATES								
							Rec	First	Add'l	First	Add'l	Svc Order Submitted Elec per LSR	Svc Order Submitted Manually per LSR	Incremental Charge - Manual Svc Order vs. Electronic-1st	Incremental Charge - Manual Svc Order vs. Electronic-Add'l	Incremental Charge - Manual Svc Order vs. Electronic-Disc 1st	Incremental Charge - Manual Svc Order vs. Electronic-Disc Add'l		
								Nonrecurring		Nonrecurring									
										Disconnect									
	Cost Based Rates are applied where BellSouth is required by FCC and/or State Commission rule to provide Unbundled Local Switching or Switch Ports.																		
	Features shall apply to the Unbundled Port/Loop Combination - Cost Based Rate section in the same manner as they are applied to the Stand-Alone Unbundled Port section of this Rate Exhibit.																		
	End Office and Tandem Switching Usage and Common Transport Usage rates in the Port section of this rate exhibit shall apply to all combinations of loop/port network elements except for UNE Coin Port/Loop Combinations.																		
	For Georgia, the recurring UNE Port and Loop charges listed apply to Currently Combined and Not Currently Combined Combos and the first and additional Port nonrecurring charges apply to Not Currently Combined Combos. For Currently Combined Combos in GA and all other states, the nonrecurring charges shall be those identified in the Nonrecurring - Currently Combined sections.																		
	2-WIRE VOICE GRADE LOOP WITH 2-WIRE LINE PORT (RES)																		
	UNE Port/Loop Combination Rates																		
		2-Wire VG Loop/Port Combo - Zone 1		1															
		2-Wire VG Loop/Port Combo - Zone 2		2															
		2-Wire VG Loop/Port Combo - Zone 3		3															
	UNE Loop Rates																		
		2-Wire Voice Grade Loop (SL1) - Zone 1		1	UEPRX	UEPLX													
		2-Wire Voice Grade Loop (SL1) - Zone 2		2	UEPRX	UEPLX													
		2-Wire Voice Grade Loop (SL1) - Zone 3		3	UEPRX	UEPLX													
	2-Wire Voice Grade Line Port Rates (Res)																		
		2-Wire voice unbundled port - residence			UEPRX	UEPRL	\$2.20					\$3.50		\$40.71		\$9.58			
		2-Wire voice unbundled port with Caller ID - res			UEPRX	UEPRC	\$2.20					\$3.50		\$40.71		\$9.58			
		2-Wire voice unbundled port outgoing only - res			UEPRX	UEPRO	\$2.20					\$3.50		\$40.71		\$9.58			
		2-Wire voice Grade unbundled Alabama extended local dialing parity port with Caller ID - res			UEPRX	UEPAR	\$2.20					\$3.50		\$40.71		\$9.58			
		2-Wire voice unbundles res, low usage line port with Caller ID (LUM)			UEPRX	UEPAP	\$2.20					\$3.50		\$40.71		\$9.58			
	FEATURES																		
		All Features Offered			UEPRX	UEPVF	\$5.55	\$0.0	\$0.0			\$3.50		\$40.71		\$9.58			
	LOCAL NUMBER PORTABILITY																		
		Local Number Portability (1 per port)			UEPRX	LNPCX	\$0.35												
	NONRECURRING CHARGES (NRCs) - CURRENTLY COMBINED																		
		2-Wire Voice Grade Loop / Line Port Combination - Conversion - Switch-as-is			UEPRX	USAC2		\$2.80	\$0.41			\$3.50		\$40.71		\$9.58			
		2-Wire Voice Grade Loop / Line Port Combination - Conversion - Switch with change			UEPRX	USACC		\$2.80	\$0.41			\$3.50		\$40.71		\$9.58			
		2-Wire Voice Grade Loop / Line Port Combination - Conversion - Subsequent Database Update						\$1.44						\$8.25					
	ADDITIONAL NRCs																		

BELLSOUTH / METROMEDIA FIBER NETWORK SERVICES RATES
Unbundled Network Elements
ALABAMA

CATEGORY	NOTES	UNBUNDLED NETWORK ELEMENT	Interim	Zone	BCS	USOC	RATES				OSS RATES								
							Rec	First	Add'l	First	Add'l	Svc Order Submitted Elec per LSR	Svc Order Submitted Manually per LSR	Incremental Charge - Manual Svc Order vs. Electronic-1st	Incremental Charge - Manual Svc Order vs. Electronic-Add'l	Incremental Charge - Manual Svc Order vs. Electronic-Disc 1st	Incremental Charge - Manual Svc Order vs. Electronic-Disc Add'l		
																		Nonrecurring	Nonrecurring
																			Disconnect
SOMEc	SOMAN	SOMAN	SOMAN	SOMAN	SOMAN														
		2-Wire Voice Grade Loop/Line Port Combination - Subsequent Activity			UEPRX	USAS2	\$0.0	\$0.0	\$0.0			\$3.50	\$19.99						
		2-WIRE VOICE GRADE LOOP WITH 2-WIRE LINE PORT (BUS)																	
		UNE Port/Loop Combination Rates																	
		2-Wire VG Loop/Port Combo - Zone 1		1			\$16.55												
		2-Wire VG Loop/Port Combo - Zone 2		2			\$25.51												
		2-Wire VG Loop/Port Combo - Zone 3		3			\$44.44												
		UNE Loop Rates																	
		2-Wire Voice Grade Loop (SL1) - Zone 1		1	UEPBX	UEPLX	\$14.35												
		2-Wire Voice Grade Loop (SL1) - Zone 2		2	UEPBX	UEPLX	\$23.31												
		2-Wire Voice Grade Loop (SL1) - Zone 3		3	UEPBX	UEPLX	\$42.24												
		2-Wire Voice Grade Line Port (Bus)																	
		2-Wire voice unbundled port without Caller ID - bus			UEPBX	UEPBL	\$2.20					\$3.50	\$40.71	\$9.58					
		2-Wire voice unbundled port with Caller + E484 ID - bus			UEPBX	UEPBC	\$2.20					\$3.50	\$40.71	\$9.58					
		2-Wire voice unbundled port outgoing only - bus			UEPBX	UEPBO	\$2.20					\$3.50	\$40.71	\$9.58					
		2-Wire voice Grade unbundled Alabama extended local dialing parity port with Caller ID - bus			UEPBX	UEPAW	\$2.20					\$3.50	\$40.71	\$9.58					
		2-Wire voice unbundled incoming only port with Caller ID - Bus			UEPBX	UPEB1	\$2.20					\$3.50	\$40.71	\$9.58					
		LOCAL NUMBER PORTABILITY																	
		Local Number Portability (1 per port)			UEPBX	LNPCX	\$0.35												
		FEATURES																	
		All Features Offered			UEPBX	UEPVF	\$5.55	\$0.0	\$0.0			\$3.50	\$40.71	\$9.58					
		NONRECURRING CHARGES (NRCs) - CURRENTLY COMBINED																	
		2-Wire Voice Grade Loop / Line Port Combination - Conversion - Switch-as-is			UEPBX	USAC2		\$2.80	\$0.41			\$3.50	\$40.71	\$9.58					
		2-Wire Voice Grade Loop / Line Port Combination - Conversion - Switch with change			UEPBX	USACC		\$2.80	\$0.41			\$3.50	\$40.71	\$9.58					
		2-Wire Voice Grade Loop / Line Port Combination - Conversion - Subsequent Database Update						\$1.44					\$8.25						
		ADDITIONAL NRCs																	
		2-Wire Voice Grade Loop/Line Port Combination - Subsequent Activity			UEPBX	USAS2						\$3.50	\$40.71	\$9.58					
		2-WIRE VOICE GRADE LOOP WITH 2-WIRE LINE PORT (RES - PBX)																	
		UNE Port/Loop Combination Rates																	
		2-Wire VG Loop/Port Combo - Zone 1		1			\$16.55												
		2-Wire VG Loop/Port Combo - Zone 2		2			\$25.51												
		2-Wire VG Loop/Port Combo - Zone 3		3			\$44.44												
		UNE Loop Rates																	
		2-Wire Voice Grade Loop (SL 1) - Zone 1		1	UEPRG	UEPLX	\$14.35												
		2-Wire Voice Grade Loop (SL 1) - Zone 2		2	UEPRG	UEPLX	\$23.31												
		2-Wire Voice Grade Loop (SL 1) - Zone 3		3	UEPRG	UEPLX	\$42.24												
		2-Wire Voice Grade Line Port Rates (RES - PBX)																	
		2-Wire VG Unbundled Combination 2-Way PBX Trunk Port - Res			UEPRG	UEPRD	\$2.20					\$3.50	\$40.71	\$9.58					
		LOCAL NUMBER PORTABILITY																	
		Local Number Portability (1 per port)			UEPRG	LNPCP	\$3.5												
		FEATURES																	

BELLSOUTH / METROMEDIA FIBER NETWORK SERVICES RATES
Unbundled Network Elements
ALABAMA

CATEGORY	NOTES	UNBUNDLED NETWORK ELEMENT	Interim	Zone	BCS	USOC	RATES					OSS RATES									
							Rec	First	Add'l	First	Add'l	Svc Order Submitted Elec per LSR	Svc Order Submitted Manually per LSR	Incremental Charge - Manual Svc Order vs. Electronic-1st	Incremental Charge - Manual Svc Order vs. Electronic-Add'l	Incremental Charge - Manual Svc Order vs. Electronic-Disc 1st	Incremental Charge - Manual Svc Order vs. Electronic-Disc Add'l				
																		Nonrecurring		Nonrecurring	
																		Disconnect			
SOME	SOMAN	SOMAN	SOMAN	SOMAN	SOMAN	SOMAN															
		All Features Offered			UEPRG	UEPVF	\$5.55	\$0.0	\$0.0			\$3.50		\$40.71	\$9.58						
		NONRECURRING CHARGES (NRCs) - CURRENTLY COMBINED																			
		2-Wire Voice Grade Loop/ Line Port Combination (PBX) - Conversion - Switch-As-Is			UEPRG	USAC2		\$2.80	\$0.41			\$3.50		\$40.71	\$9.58						
		2-Wire Voice Grade Loop/ Line Port Combination (PBX) - Conversion - Switch with Change			UEPRG	USACC		\$2.80	\$0.41			\$3.50		\$40.71	\$9.58						
		2-Wire Voice Grade Loop / Line Port Combination - Conversion - Subsequent Database Update						\$1.44						\$8.25							
		ADDITIONAL NRCs																			
		2-Wire Voice Grade Loop/ Line Port Combination (PBX) - Subsequent Activity			UEPRG	USAS2	\$0.0	\$0.0	\$0.0			\$3.50	\$19.99								
		PBX Subsequent Activity - Change/Rearrange Multiline Hunt Group						\$14.64	\$14.64			\$3.5	\$19.99								
		2-WIRE VOICE GRADE LOOP WITH 2-WIRE LINE PORT (BUS - PBX)																			
		UNE Port/Loop Combination Rates																			
		2-Wire VG Loop/Port Combo - Zone 1		1			\$16.55														
		2-Wire VG Loop/Port Combo - Zone 2		2			\$25.51														
		2-Wire VG Loop/Port Combo - Zone 3		3			\$44.44														
		UNE Loop Rates																			
		2-Wire Voice Grade Loop (SL 1) - Zone 1		1	UEPPX	UEPLX	\$14.35														
		2-Wire Voice Grade Loop (SL 1) - Zone 2		2	UEPPX	UEPLX	\$23.31														
		2-Wire Voice Grade Loop (SL 1) - Zone 3		3	UEPPX	UEPLX	\$42.24														
		2-Wire Voice Grade Line Port Rates (BUS - PBX)																			
		Line Side Unbundled Combination 2-Way PBX Trunk Port - Bus			UEPPX	UEPPC	\$2.20					\$3.50		\$40.71	\$9.58						
		Line Side Unbundled Outward PBX Trunk Port - Bus			UEPPX	UEPPO	\$2.20					\$3.50		\$40.71	\$9.58						
		Line Side Unbundled Incoming PBX Trunk Port - Bus			UEPPX	UEPP1	\$2.20					\$3.50		\$40.71	\$9.58						
		2-Wire Voice Unbundled 2-Way Combination PBX Alabama Calling Port			UEPPX	UEPA2	\$2.20					\$3.50		\$40.71	\$9.58						
		2-Wire Voice Unbundled PBX LD Terminal Ports			UEPPX	UEPLD	\$2.20					\$3.50	\$27.37	\$9.58							
		2-Wire Voice Unbundled 2-Way Combination PBX Usage Port			UEPPX	UEPXA	\$2.20					\$3.50		\$40.71	\$9.58						
		2-Wire Voice Unbundled PBX Toll Terminal Hotel Ports			UEPPX	UEPXB	\$2.20					\$3.50		\$40.71	\$9.58						
		2-Wire Voice Unbundled PBX LD DDD Terminals Port			UEPPX	UEPXC	\$2.20					\$3.50		\$40.71	\$9.58						
		2-Wire Voice Unbundled PBX LD Terminal Switchboard Port			UEPPX	UEPXD	\$2.20					\$3.50		\$40.71	\$9.58						
		2-Wire Voice Unbundled PBX LD Terminal Switchboard IDD Capable Port			UEPPX	UEPXE	\$2.20					\$3.50		\$40.71	\$9.58						
		2-Wire Voice Unbundled 2-Way PBX Hotel/Hospital Economy Administrative Calling Port			UEPPX	UEPXL	\$2.20					\$3.50		\$40.71	\$9.58						
		2-Wire Voice Unbundled 2-Way PBX Hotel/Hospital Economy Room Calling Port			UEPPX	UEPXM	\$2.20					\$3.50		\$40.71	\$9.58						
		2-Wire Voice Unbundled 1-Way Outgoing PBX Hotel/Hospital Discount Room Calling Port			UEPPX	UEPXO	\$2.20					\$3.50		\$40.71	\$9.58						
		2-Wire Voice Unbundled 1-Way Outgoing PBX Measured Port			UEPPX	UEPXS	\$2.20					\$3.50		\$40.71	\$9.58						
		LOCAL NUMBER PORTABILITY																			
		Local Number Portability (1 per port)			UEPPX	LNPCP	\$3.15														
		FEATURES																			
		All Features Offered			UEPPX	UEPVF	\$5.55	\$0.0	\$0.0			\$3.50		\$40.71	\$9.58						
		NONRECURRING CHARGES (NRCs) - CURRENTLY COMBINED																			
		2-Wire Voice Grade Loop/ Line Port Combination (PBX) - Conversion - Switch-As-Is			UEPPX	USAC2		\$2.80	\$0.41			\$3.50		\$40.71	\$9.58						
		2-Wire Voice Grade Loop/ Line Port Combination (PBX) - Conversion - Switch with Change			UEPPX	USACC		\$2.80	\$0.41			\$3.50		\$40.71	\$9.58						

BELLSOUTH / METROMEDIA FIBER NETWORK SERVICES RATES
Unbundled Network Elements
ALABAMA

CATEGORY	NOTES	UNBUNDLED NETWORK ELEMENT	Interim	Zone	BCS	USOC	RATES				OSS RATES										
							Rec	First	Add'l	First	Add'l	Svc Order Submitted Elec per LSR	Svc Order Submitted Manually per LSR	Incremental Charge - Manual Svc Order vs. Electronic-1st	Incremental Charge - Manual Svc Order vs. Electronic-Add'l	Incremental Charge - Manual Svc Order vs. Electronic-Disc 1st	Incremental Charge - Manual Svc Order vs. Electronic-Disc Add'l				
																		Nonrecurring		Nonrecurring	
																		Disconnect			
SOMEC	SOMAN	SOMAN	SOMAN	SOMAN	SOMAN																
		2-Wire Voice Grade Loop / Line Port Combination - Conversion - Subsequent Database Update						\$1.44					\$8.25								
	ADDITIONAL NRCs																				
		2-Wire Voice Grade Loop/ Line Port Combination (PBX) - Subsequent Activity			UEPPX	USAS2	\$0.0	\$0.0	\$0.0		\$3.50	\$19.99									
		PBX Subsequent Activity - Change/Rearrange Multiline Hunt Group						\$14.64	\$14.64		\$3.5	\$19.99									
		2-WIRE VOICE GRADE LOOP WITH 2-WIRE ANALOG LINE COIN PORT																			
		UNE Port/Loop Combination Rates																			
		2-Wire VG Coin Port/Loop Combo – Zone 1						\$16.88													
		2-Wire VG Coin Port/Loop Combo – Zone 2						\$25.84													
		2-Wire VG Coin Port/Loop Combo – Zone 3						\$44.77													
		UNE Loop Rates																			
		2-Wire Voice Grade Loop (SL1) - Zone 1			UEPCO	UEPLX	\$14.35														
		2-Wire Voice Grade Loop (SL1) - Zone 2			UEPCO	UEPLX	\$23.31														
		2-Wire Voice Grade Loop (SL1) - Zone 3			UEPCO	UEPLX	\$42.24														
		2-Wire Voice Grade Line Ports (COIN)																			
		2-Wire Coin 2-Way without Operator Screening and without Blocking (AL, KY, LA, MS)			UEPCO	UEPRF	\$2.53			\$3.5		\$40.71	\$9.58								
		2-Wire Coin 2-Way with Operator Screening (AL, KY)			UEPCO	UEPRE	\$2.53			\$3.5		\$40.71	\$9.58								
		2-Wire Coin 2-Way with Operator Screening and Blocking: 011, 900/976, 1+DDD (AL, KY, LA, MS)			UEPCO	UEPRA	\$2.53			\$3.5		\$40.71	\$9.58								
		2-Wire Coin 2-Way with Operator Screening and 011 Blocking (AL, LA, MS)			UEPCO	UEPRB	\$2.53			\$3.5		\$40.71	\$9.58								
		2-Wire Coin 2-Way with Operator Screening & Blocking: 900/976, 1+DDD, 011+, & Local (AL, KY, LA, MS)			UEPCO	UEPCD	\$2.53			\$3.5		\$40.71	\$9.58								
		2-Wire Coin Outward with Operator Screening and 011 Blocking (AL, FL)			UEPCO	UEPRK	\$2.53			\$3.5		\$40.71	\$9.58								
		2-Wire Coin Outward with Operator Screening and Blocking: 011, 900/976, 1+DDD (AL, KY, LA, MS)			UEPCO	UEPRH	\$2.53			\$3.5		\$40.71	\$9.58								
		2-Wire Coin Outward Operator Screening & Blocking: 900/976, 1+DDD, 011+, and Local (AL, KY, LA, MS)			UEPCO	UEPCN	\$2.53			\$3.5		\$40.71	\$9.58								
		2-Wire 2-Way Smartline with 900/976 (all states except LA)			UEPCO	UEPCK	\$2.53			\$3.5		\$40.71	\$9.58								
		2-Wire Coin Outward Smartline with 900/976 (all states except LA)			UEPCO	UEPCR	\$2.53			\$3.5		\$40.71	\$9.58								
		ADDITIONAL UNE COIN PORT/LOOP (RC)																			
		UNE Coin Port/Loop Combo Usage (Flat Rate)			UEPCO	URECU	\$1.56	\$0.0	\$0.0												
		LOCAL NUMBER PORTABILITY																			
		Local Number Portability (1 per port)			UEPCO	LNPCX	\$0.35														
		NONRECURRING CHARGES - CURRENTLY COMBINED																			
		2-Wire Voice Grade Loop / Line Port Combination - Conversion - Switch-as-is			UEPCO	USAC2		\$2.8	\$0.41		\$3.5		\$40.71	\$9.58							
		2-Wire Voice Grade Loop / Line Port Combination - Conversion - Switch with change			UEPCO	USACC		\$2.80	\$0.41		\$3.5		\$40.71	\$9.58							
		ADDITIONAL NRCs																			
		2-Wire Voice Grade Loop/Line Port Combination - Subsequent Activity			UEPCO	USAS2		\$0.0	\$0.0		\$3.5		\$40.71	\$9.58							
		2-WIRE VOICE GRADE LOOP- BUS ONLY - WITH 2-WIRE DID TRUNK PORT																			
		UNE Port/Loop Combination Rates																			

BELLSOUTH / METROMEDIA FIBER NETWORK SERVICES RATES
Unbundled Network Elements
ALABAMA

CATEGORY	NOTES	UNBUNDLED NETWORK ELEMENT	Interim	Zone	BCS	USOC	RATES				OSS RATES										
							Rec	First	Add'l	First	Add'l	Svc Order Submitted Elec per LSR	Svc Order Submitted Manually per LSR	Incremental Charge - Manual Svc Order vs. Electronic-1st	Incremental Charge - Manual Svc Order vs. Electronic-Add'l	Incremental Charge - Manual Svc Order vs. Electronic-Disc 1st	Incremental Charge - Manual Svc Order vs. Electronic-Disc Add'l				
																		Nonrecurring		Nonrecurring	
																		Disconnect		Disconnect	
SOME C	SOMAN	SOMAN	SOMAN	SOMAN	SOMAN																
		2-Wire VG Loop/2-Wire DID Trunk Port Combo - UNE Zone 1		1			\$29.59														
		2-Wire VG Loop/2-Wire DID Trunk Port Combo - UNE Zone 2		2			\$36.58														
		2-Wire VG Loop/2-Wire DID Trunk Port Combo - UNE Zone 3		3			\$45.06														
		UNE Loop Rates																			
		2-Wire Analog Voice Grade Loop - (SL2) - UNE Zone 1		1	UEPPX	UECD1	\$20.42	\$211.32	\$136.39	\$105.76	\$21.07		\$19.99								
		2-Wire Analog Voice Grade Loop - (SL2) - UNE Zone 2		2	UEPPX	UECD1	\$27.41	\$211.32	\$136.39	\$105.76	\$21.07		\$19.99								
		2-Wire Analog Voice Grade Loop - (SL2) - UNE Zone 3		3	UEPPX	UECD1	\$35.89	\$211.32	\$136.39	\$105.76	\$21.07		\$19.99								
		UNE Port Rate																			
		Exchange Ports - 2-Wire DID Port			UEPPX	UEPD1	\$9.17	\$238.61	\$37.48	\$119.79	\$7.52		\$19.99								
		NONRECURRING CHARGES - CURRENTLY COMBINED																			
		2-Wire Voice Grade Loop / 2-Wire DID Trunk Port Combination - Switch-as-is			UEPPX	USAC1		\$14.61	\$3.73				\$19.99								
		2-Wire Voice Grade Loop / 2-Wire DID Trunk Port Conversion with BellSouth Allowable Changes			UEPPX	USA1C		\$14.61	\$3.73				\$19.99								
		ADDITIONAL NRCs																			
		2-Wire DID Subsequent Activity - Add Trunks, Per Trunk			UEPPX	USAS1		\$53.56	\$53.56				\$19.99								
		Telephone Number/Trunk Group Establishment Charges																			
		DID Trunk Termination (One Per Port)			UEPPX	NDT	\$0.00	\$0.00	\$0.00				\$19.99								
		Additional DID Numbers for each Group of 20 DID Numbers			UEPPX	ND4	\$0.00	\$0.00	\$0.00				\$19.99								
		DID Numbers, Non- consecutive DID Numbers , Per Number			UEPPX	ND5	\$0.00	\$0.00	\$0.00				\$19.99								
		Reserve Non-Consecutive DID numbers			UEPPX	ND6	\$0.00	\$0.00	\$0.00				\$19.99								
		Reserve DID Numbers			UEPPX	NDV	\$0.00	\$0.00	\$0.00				\$19.99								
		LOCAL NUMBER PORTABILITY																			
		Local Number Portability (1 per port)			UEPPX	LNPCP	\$3.15														
		2-WIRE ISDN DIGITAL GRADE LOOP WITH 2-WIRE ISDN DIGITAL LINE SIDE PORT																			
		UNE Port/Loop Combination Rates																			
		2W ISDN Digital Grade Loop/2W ISDN Digital Line Side Port - UNE Zone 1		1	UEPPB	UEPPR	\$36.62														
		2W ISDN Digital Grade Loop/2W ISDN Digital Line Side Port - UNE Zone 2		2	UEPPB	UEPPR	\$44.49														
		2W ISDN Digital Grade Loop/2W ISDN Digital Line Side Port - UNE Zone 3		3	UEPPB	UEPPR	\$55.39														
		UNE Loop Rates																			
		2-Wire ISDN Digital Grade Loop - UNE Zone 1		1	UEPPB	UEPPR	USL2X	\$27.20	\$234.48	\$159.54	\$105.76	\$21.07		\$19.99							
		2-Wire ISDN Digital Grade Loop - UNE Zone 2		2	UEPPB	UEPPR	USL2X	\$35.07	\$234.48	\$159.54	\$105.76	\$21.07		\$19.99							
		2-Wire ISDN Digital Grade Loop - UNE Zone 3		3	UEPPB	UEPPR	USL2X	\$45.97	\$234.48	\$159.54	\$105.76	\$21.07		\$19.99							
		UNE Port Rate																			
		Exchange Port - 2-Wire ISDN Line Side Port			UEPPB	UEPPR	UEPPB	\$9.42	\$145.54	\$105.97	\$95.57	\$21.47		\$19.99							
		NONRECURRING CHARGES - CURRENTLY COMBINED																			
		2-Wire ISDN Digital Grade Loop / 2-Wire ISDN Line Side Port Combination - Conversion			UEPPB	UEPPR	USACB	\$0.0	\$77.01	\$54.04			\$19.99								
		ADDITIONAL NRCs																			
		LOCAL NUMBER PORTABILITY																			
		Local Number Portability (1 per port)			UEPPB	UEPPR	LNPCX	\$0.35	\$0.00	\$0.00											
		B-CHANNEL USER PROFILE ACCESS:																			
		CVS/CSD (DMS/5ESS)			UEPPB	UEPPR	U1UCA	\$0.00	\$0.00	\$0.00											

BELLSOUTH / METROMEDIA FIBER NETWORK SERVICES RATES
Unbundled Network Elements
ALABAMA

CATEGORY	NOTES	UNBUNDLED NETWORK ELEMENT	Interim	Zone	BCS	USOC	RATES					OSS RATES									
							Rec	First	Add'l	First	Add'l	Svc Order Submitted Elec per LSR	Svc Order Submitted Manually per LSR	Incremental Charge - Manual Svc Order vs. Electronic-1st	Incremental Charge - Manual Svc Order vs. Electronic-Add'l	Incremental Charge - Manual Svc Order vs. Electronic-Disc 1st	Incremental Charge - Manual Svc Order vs. Electronic-Disc Add'l				
																		Nonrecurring		Nonrecurring	
																		Disconnect		Disconnect	
SOME C	SOMAN	SOMAN	SOMAN	SOMAN	SOMAN																
		CVS (EWSD)			UEPPB UEPPR	U1UCB	\$0.00	\$0.00	\$0.00												
		CSD			UEPPB UEPPR	U1UCC	\$0.00	\$0.00	\$0.00												
		B-CHANNEL AREA PLUS USER PROFILE ACCESS: (AL,KY,LA,MS SC,MS, & TN)																			
		CVS/CSD (DMS/5ESS)			UEPPB UEPPR	U1UCD	\$0.00	\$0.00	\$0.00												
		CVS (EWSD)			UEPPB UEPPR	U1UCE	\$0.00	\$0.00	\$0.00												
		CSD			UEPPB UEPPR	U1UCF	\$0.00	\$0.00	\$0.00												
		USER TERMINAL PROFILE																			
		User Terminal Profile (EWSD only)			UEPPB UEPPR	U1UMA	\$0.00	\$0.00	\$0.00												
		VERTICAL FEATURES																			
		All Vertical Features - One per Channel B User Profile			UEPPB UEPPR	UEPVF	\$5.55	\$0.00	\$0.00												
		INTEROFFICE CHANNEL MILEAGE																			
		Interoffice Channel mileage each, including first mile and facilities termination			UEPPB UEPPR	M1GNC	\$17.81	\$107.11	\$48.27			\$0.0									
		Interoffice Channel mileage each, additional mile			UEPPB UEPPR	M1GNM	\$0.0339	\$0.00	\$0.00			\$0.0	\$0.0								
		4-WIRE DS1 DIGITAL LOOP WITH 4-WIRE ISDN DS1 DIGITAL TRUNK PORT																			
		UNE Port/Loop Combination Rates																			
		4W DS1 Digital Loop/4W ISDN DS1 Digital Trunk Port - UNE Zone 1		1	UEPPP		\$198.29														
		4W DS1 Digital Loop/4W ISDN DS1 Digital Trunk Port - UNE Zone 2		2	UEPPP		\$274.00														
		4W DS1 Digital Loop/4W ISDN DS1 Digital Trunk Port - UNE Zone 3		3	UEPPP		\$425.41														
		UNE Loop Rates																			
		4-Wire DS1 Digital Loop - UNE Zone 1		1	UEPPP	USL4P	\$101.92	\$504.93	\$315.07	\$89.40	\$23.41		\$19.99								
		4-Wire DS1 Digital Loop - UNE Zone 2		2	UEPPP	USL4P	\$177.63	\$504.93	\$315.07	\$89.40	\$23.41		\$19.99								
		4-Wire DS1 Digital Loop - UNE Zone 3		3	UEPPP	USL4P	\$329.04	\$504.93	\$315.07	\$89.40	\$23.41		\$19.99								
		UNE Port Rate																			
		Exchange Ports - 4-Wire ISDN DS1 Port			UEPPP	UEPPP	\$96.37	\$407.62	\$203.11	\$158.35	\$40.11		\$19.99								
		NONRECURRING CHARGES - CURRENTLY COMBINED																			
		4-Wire DS1 Digital Loop / 4-Wire ISDN DS1 Digital Trunk Port Combination - Conversion -Switch-as-is			UEPPP	USACP	\$0.00	\$238.13	\$157.11				\$19.99								
		ADDITIONAL NRCs																			
		4-Wire DS1 Loop/4-W ISDN Digtl Trk Port - Subsqrt Actvy-Inward/two way tel nos within Std Allowance			UEPPP	PR7TF		\$0.9801					\$19.99								
		4-Wire DS1 Loop / 4-Wire ISDN DS1 Digital Trunk Port - Outward Tel Numbers (All States except NC)			UEPPP	PR7TO		\$23.02	\$23.02				\$19.99								
		4-Wire DS1 Loop / 4-Wire ISDN DS1 Digital Trk Port - Subsequent Inward Tel Nos Above Std Allowance			UEPPP	PR7ZT		\$46.05	\$46.05				\$19.99								
		LOCAL NUMBER PORTABILITY																			
		Local Number Portability (1 per port)			UEPPP	LNPCN	\$1.75														
		INTERFACE (Provisioning Only)																			
		Voice/Data			UEPPP	PR71V	\$0.00	\$0.00	\$0.00												
		Digital Data			UEPPP	PR71D	\$0.00	\$0.00	\$0.00												
		Inward Data			UEPPP	PR71E	\$0.00	\$0.00	\$0.00												

BELLSOUTH / METROMEDIA FIBER NETWORK SERVICES RATES
Unbundled Network Elements
ALABAMA

CATEGORY	NOTES	UNBUNDLED NETWORK ELEMENT	Interim	Zone	BCS	USOC	RATES				OSS RATES							
							Rec	First	Add'l	Disconnect	Svc Order Submitted Elec per LSR	Svc Order Submitted Manually per LSR	Incremental Charge - Manual Svc Order vs. Electronic-1st	Incremental Charge - Manual Svc Order vs. Electronic-Add'l	Incremental Charge - Manual Svc Order vs. Electronic-Disc 1st	Incremental Charge - Manual Svc Order vs. Electronic-Disc Add'l		
																	Nonrecurring	
																	First	Add'l
SOMEC	SOMAN	SOMAN	SOMAN	SOMAN	SOMAN													
		New or Additional "B" Channel																
		New or Additional - Voice/Data B Channel			UEPPP	PR7BV	\$0.00	\$29.05								\$19.99		
		New or Additional - Digital Data B Channel			UEPPP	PR7BF	\$0.00	\$29.05								\$19.99		
		New or Additional Inward Data B Channel			UEPPP	PR7BD	\$0.00	\$29.05								\$19.99		
		New or Additional Useage Sensitive Voice Data B Channel			UEPPP	PR7BS	\$0.00	\$29.05								\$19.19		
		New or Additional Useage Sensitive Digital Data B Channel			UEPPP	PR7BU	\$0.00	\$29.05								\$19.99		
		CALL TYPES																
		Inward			UEPPP	PR7C1	\$0.00	\$0.00	\$0.00									
		Outward			UEPPP	PR7C0	\$0.00	\$0.00	\$0.00									
		Two-way			UEPPP	PR7CC	\$0.00	\$0.00	\$0.00									
		Interoffice Channel Mileage																
		Fixed Each Including First Mile			UEPPP	1LN1A	\$80.3820	\$198.15	\$148.18	\$25.44						\$19.99		
		Each Airline-Fractional Additional Mile			UEPPP	1LN1B	\$0.6920											
		4-WIRE DS1 DIGITAL LOOP WITH 4-WIRE DDITS TRUNK PORT																
		UNE Port/Loop Combination Rates																
		4W DS1 Digital Loop/4W DDITS Trunk Port - UNE Zone 1		1	UEPDC		\$170.59											
		4W DS1 Digital Loop/4W DDITS Trunk Port - UNE Zone 2		2	UEPDC		\$246.30									\$19.99		
		4W DS1 Digital Loop/4W DDITS Trunk Port - UNE Zone 3		3	UEPDC		\$397.71									\$19.99		
		UNE Loop Rates																
		4-Wire DS1 Digital Loop - UNE Zone 1		1	UEPDC	USLDC	\$101.92	\$504.93	\$315.07	\$89.40	\$23.41					\$19.99		
		4-Wire DS1 Digital Loop - UNE Zone 2		2	UEPDC	USLDC	\$177.63	\$504.93	\$315.07	\$89.40	\$23.41					\$19.99		
		4-Wire DS1 Digital Loop - UNE Zone 3		3	UEPDC	USLDC	\$329.04	\$504.93	\$315.07	\$89.40	\$23.41					\$19.99		
		UNE Port Rate																
		4-Wire DDITS Digital Trunk Port			UEPDC	UDD1T	\$68.67	\$404.04	\$191.38	\$145.18	\$4.92					\$19.99		
		NONRECURRING CHARGES - CURRENTLY COMBINED																
		4-Wire DS1 Digital Loop / 4-Wire DDITS Trunk Port Combination - Switch-as-is			UEPDC	USAC4		\$258.98	\$134.03							\$19.99		
		4-Wire DS1 Digital Loop / 4-Wire DDITS Trunk Port Combination - Conversion with DS1 Changes			UEPDC	USAWA		\$258.98	\$134.04							\$19.99		
		4-Wire DS1 Digital Loop / 4-Wire DDITS Trunk Port Combination - Conversion with Change - Trunk			UEPDC	USAWB		\$258.98	\$134.03							\$19.99		
		ADDITIONAL NRCs																
		4-Wire DS1 Loop / 4-Wire DDITS Trunk Port - NRC - Subsequent Channel Activation/Chan - 2-Way Trunk			UEPDC	UDTTA		\$28.85	\$28.85							\$19.99		
		4-Wire DS1 Loop / 4-Wire DDITS Trunk Port - Subsequent Channel Activation/Chan - 1-Way Outward Trunk			UEPDC	UDTTB		\$28.85	\$28.85							\$19.99		
		4-Wire DS1 Loop / 4-Wire DDITS Trunk Port - Subsqt Channel Activation/Chan - Inward Trunk w/out DID			UEPDC	UDTTC		\$28.85	\$28.85							\$19.99		
		4-Wire DS1 Loop / 4-Wire DDITS Trunk Port - Subsqt Chan Activation Per Chan - Inward Trunk with DID			UEPDC	UDTTD		\$28.85	\$28.85							\$19.99		
		4-Wire DS1 Loop / 4-Wire DDITS Trunk Port - Subsqt Chan Activation / Chan - 2-Way DID w User Trans			UEPDC	UDTTE		\$28.85	\$28.85							\$19.99		
		BIPOLAR 8 ZERO SUBSTITUTION																
		B8ZS - Superframe Format			UEPDC	CCOSF		\$0.0	\$600.00							\$19.99		
		B8ZS - Extended Superframe Format			UEPDC	CCOEF		\$0.0	\$600.00							\$19.99		
		Alternate Mark Inversion																
		AMI - Superframe Format			UEPDC	MCOSF		\$0.00	\$0.00									
		AMI - Extended SuperFrame Format			UEPDC	MCOPO		\$0.00	\$0.00									

BELLSOUTH / METROMEDIA FIBER NETWORK SERVICES RATES
Unbundled Network Elements
ALABAMA

CATEGORY	NOTES	UNBUNDLED NETWORK ELEMENT	Interim	Zone	BCS	USOC	RATES				OSS RATES										
							Rec	First	Add'l	First	Add'l	SOME C	SOMAN	SOMAN	SOMAN	SOMAN	SOMAN				
																		Nonrecurring		Nonrecurring	
																		Disconnect			
Telephone Number/Trunk Group Establishment Charges																					
		Telephone Number for 2-Way Trunk Group			UEPDC	UDTGX	\$0.00														
		Telephone Number for 1-Way Outward Trunk Group			UEPDC	UDTGY	\$0.00					\$19.99									
		Telephone Number for 1-Way Inward Trunk Group Without DID			UEPDC	UDTGZ	\$0.00					\$19.99									
		DID Numbers for each Group of 20 DID Numbers			UEPDC	ND4	\$0.00	\$0.				\$19.99									
		DID Numbers, Non- consecutive DID Numbers , Per Number			UEPDC	ND5	\$0.00					\$19.99									
		Reserve Non-Consecutive DID Nos.			UEPDC	ND6	\$0.00	\$0.00	\$0.00			\$19.99									
		Reserve DID Numbers			UEPDC	NDV	\$0.00	\$0.00	\$0.00			\$19.99									
Dedicated DS1 (Interoffice Channel Mileage) - FX/FCO for 4-Wire DS1 Digital Loop with 4-Wire DDITS Trunk Port																					
		Interoffice Channel Mileage - Fixed rate 0-8 miles (Facilities Termination)			UEPDC	1LNO1	\$79.69	\$198.15	\$148.18	\$25.44	\$20.42	\$19.99									
		Interoffice Channel Mileage - Additional rate per mile - 0-8 miles			UEPDC	1LNOA	\$0.6920	\$0.00	\$0.00			\$19.99									
		Interoffice Channel Mileage - Fixed rate 9-25 miles (Facilities Termination)			UEPDC	1LNO2	\$0.00	\$0.0	\$0.0												
		Interoffice Channel Mileage - Additional rate per mile - 9-25 miles			UEPDC	1LNOB	\$0.6920	\$0.00	\$0.00												
		Interoffice Channel Mileage - Fixed rate 25+ miles (Facilities Termination)			UEPDC	1LNO3	\$0.00	\$0.00	\$0.00	\$0.00											
		Interoffice Channel Mileage - Additional rate per mile - 25+ miles			UEPDC	1LNO C	\$0.6920	\$0.00	\$0.00												
		Local Number Portability, per DS0 Activated			UEPDC	LNP CP	\$3.15	\$0.00	\$0.00	\$0.00											
		Central Office Terminating Point			UEPDC	CTG	\$0.00														
4-WIRE DS1 LOOP WITH CHANNELIZATION WITH PORT																					
		System is 1 DS1 Loop, 1 D4 Channel Bank, and up to 24 Feature Activations																			
		Each System can have up to 24 combinations of rates depending on type and number of ports used																			
UNE DS1 Loop																					
		4-Wire DS1 Loop - UNE Zone 1			UEPMG	USLDC	\$101.92	\$0.00	\$0.00			\$19.99									
		4-Wire DS1 Loop - UNE Zone 2			UEPMG	USLDC	\$177.63	\$0.00	\$0.00			\$19.99									
		4-Wire DS1 Loop - UNE Zone 3			UEPMG	USLDC	\$329.04	\$0.00	\$0.00			\$19.99									
UNE DSO Channelization Capacities (D4 Channel Bank Configurations)																					
		24 DSO Channel Capacity - 1 per DS1			UEPMG	VUM24	\$115.89	\$0.00	\$0.00			\$19.99									
		48 DSO Channel Capacity - 1 per 2 DS1s			UEPMG	VUM48	\$231.78	\$0.00	\$0.00			\$19.99									
		96 DSO Channel Capacity -1per 4 DS1s			UEPMG	VUM96	\$463.56	\$0.00	\$0.00			\$19.99									
		144 DSO Channel Capacity - 1 per 6 DS1s			UEPMG	VUM14	\$695.34	\$0.00	\$0.00			\$19.99									
		192 DSO Channel Capacity -1 per 8 DS1s			UEPMG	VUM19	\$980.00	\$0.00	\$0.00			\$19.99									
		240 DSO Channel Capacity - 1 per 10 DS1s			UEPMG	VUM20	\$1,158.90	\$0.00	\$0.00			\$19.99									
		288 DSO Channel Capacity - 1 per 12 DS1s			UEPMG	VUM28	\$1,390.68	\$0.00	\$0.00			\$19.99									
		384 DSO Channel Capacity - 1 per 16 DS1s			UEPMG	VUM38	\$1,854.24	\$0.00	\$0.00			\$19.99									
		480 DSO Channel Capacity - 1 per 20 DS1s			UEPMG	VUM40	\$2,317.80	\$0.00	\$0.00			\$19.99									
		576 DSO Channel Capacity -1 per 24 DS1s			UEPMG	VUM57	\$2,781.36	\$0.00	\$0.00			\$19.99									
		672 DSO Channel Capacity - 1 per 28 DS1s			UEPMG	VUM67	\$3,244.92	\$0.00	\$0.00			\$19.99									
Non-Recurring Charges (NRC) Associated with 4-Wire DS1 Loop with Channelization with Port - Conversion Charge Based on a System																					
		A Minimum System configuration is One (1) DS1, One (1) D4 Channel Bank, and Up To 24 DSO Ports with Feature Activations.																			
		Multiples of this configuration functioning as one are considered Add'l after the minimum system configuration is counted.																			
		NRC - Conversion (Currently Combined) with or without BellSouth Allowed Changes			UEPMG	USAC4	\$0.00	\$300.95	\$16.72			\$19.99									

BELLSOUTH / METROMEDIA FIBER NETWORK SERVICES RATES
Unbundled Network Elements
ALABAMA

CATEGORY	NOTES	UNBUNDLED NETWORK ELEMENT	Interim	Zone	BCS	USOC	RATES				OSS RATES								
							Rec	First	Add'l	First	Add'l	Svc Order Submitted Elec per LSR	Svc Order Submitted Manually per LSR	Incremental Charge - Manual Svc Order vs. Electronic-1st	Incremental Charge - Manual Svc Order vs. Electronic-Add'l	Incremental Charge - Manual Svc Order vs. Electronic-Disc 1st	Incremental Charge - Manual Svc Order vs. Electronic-Disc Add'l		
																		Nonrecurring	Nonrecurring
																			Disconnect
SOME C	SOMAN	SOMAN	SOMAN	SOMAN	SOMAN														
System Additions at End User Locations Where 4-Wire DS1 Loop with Channelization with Port Combination Currently Exists and New (Not Currently Combined) in Georgia Only																			
		NRC - 1 DS1/D4 Channel Bank - Add NRC for each Port and Assoc Feature Activation - New GA Only			UEPMG	VUMD4	\$0.00	\$716.11	\$468.04	\$148.75	\$17.65		\$19.99						
Bipolar 8 Zero Substitution																			
		Clear Channel Capability Format, superframe - Subsequent Activity Only			UEPMG	CCOSF	\$0.00	\$0.00	\$600.00				\$19.99						
		Clear Channel Capability Format - Extended Superframe - Subsequent Activity Only			UEPMG	CCOEF	\$0.00	\$0.00	\$600.00				\$19.99						
Alternate Mark Inversion (AMI)																			
		Superframe Format			UEPMG	MCOSF	\$0.00	\$0.00	\$0.00										
		Extended Superframe Format			UEPMG	MCOPO	\$0.00	\$0.00	\$0.00										
Exchange Ports Associated with 4-Wire DS1 Loop with Channelization with Port Exchange Ports																			
		Line Side Combination Channelized PBX Trunk Port - Business			UEPPX	UEPCX	\$1.58	\$0.00	\$0.00	\$0.00	\$0.00		\$19.99						
		Line Side Outward Channelized PBX Trunk Port - Business			UEPPX	UEPOX	\$1.58	\$0.00	\$0.00	\$0.00	\$0.00		\$19.99						
		Line Side Inward Only Channelized PBX Trunk Port without DID			UEPPX	UEP1X	\$1.58	\$0.00	\$0.00	\$0.00	\$0.00		\$19.99						
		2-Wire Trunk Side Unbundled Channelized DID Trunk Port			UEPPX	UEPDM	\$9.20	\$0.00	\$0.00	\$0.00	\$0.00		\$19.99						
		2-Wire Channelized PBX Area Calling Service Combination Port (AL Only)			UEPPX	UEPA4	\$1.58	\$0.00	\$0.00				\$19.99						
		2 Wire Channelized PBX Area Calling Service Outgoing Only Port (AL Only)			UEPPX	UEPA3	\$1.58	\$0.00	\$0.00				\$19.99						
Feature Activations - Unbundled Loop Concentration																			
		Feature (Service) Activation for each Line Side Port Terminated in D4 Bank			UEPPX	1PQWM	\$0.64	\$25.39	\$13.41	\$4.19	\$4.16		\$19.99						
		Feature (Service) Activation for each Trunk Side Port Terminated in D4 Bank			UEPPX	1PQWU	\$0.64	\$78.13	\$18.42	\$59.24	\$11.58		\$19.99						
Telephone Number/ Group Establishment Charges for DID Service																			
		DID Trunk Termination (1 per Port)			UEPPX	NDT	\$0.00												
		DID Numbers - groups of 20 - Valid all States			UEPPX	ND4	\$0.00	\$0.00	\$0.00				\$19.99						
		Non-Consecutive DID Numbers - per number			UEPPX	ND5	\$0.00	\$0.00	\$0.00				\$19.99						
		Reserve Non-Consecutive DID Numbers			UEPPX	ND6	\$0.00	\$0.00	\$0.00										
		Reserve DID Numbers			UEPPX	NDV	\$0.00	\$0.00	\$0.00										
Local Number Portability																			
		Local Number Portability - 1 per port			UEPPX	LNPCP	\$3.15	\$0.00	\$0.00										
FEATURES - Vertical and Optional																			
Local Switching Features Offered with Line Side Ports Only																			
		All Features Available			UEPPX	UEPVF	\$5.55	\$0.00	\$0.00				\$19.99						

BELLSOUTH / METROMEDIA FIBER NETWORK SERVICES RATES
Unbundled Network Elements
FLORIDA

CATEGORY	NOTES	UNBUNDLED NETWORK ELEMENT	Interim	Zone	BCS	USOC	RATES				OSS RATES															
							Rec	First	Add'l	First	Add'l	SOMEC	SOMAN	SOMAN	SOMAN	SOMAN	SOMAN									
																		Nonrecurring	Nonrecurring	Disconnect	Svc Order Submitted Elec per LSR	Svc Order Submitted Manually per LSR	Incremental Charge - Manual Svc Order vs. Electronic-1st	Incremental Charge - Manual Svc Order vs. Electronic-Add'l	Incremental Charge - Manual Svc Order vs. Electronic-Disc 1st	Incremental Charge - Manual Svc Order vs. Electronic-Disc Add'l
Geographically Deaveraged UNE Zones and applicable rates have been established for certain services, as shown in this Agreement. Where Geographically Deaveraged UNE Zones and applicable rates are established, Statewide rates are obsolete. Further, BellSouth is in the process of enhancing its billing systems in order to accommodate this Geographically Deaveraged UNE Zone Rate Structure. Until these enhancements are accomplished, estimated to be mid 2001, the UNE Zone 1 rate will be billed for all services residing in Zones 1, 2, 3 or 4, i.e., Rates for services residing in UNE Zones 2, 3 and UNE Zone 4, where applicable, will not be billed. Once billing enhancements are complete, all applicable UNE Zone rates reflected in this Agreement will be billed. Reference Internet Website http://www.interconnection.bellsouth.com/become_clec/docs/interconnection/deavuzns.pdf to view Geographically Deaveraged UNE Zone Designations by Central Office.																										
UNBUNDLED LOCAL EXCHANGE SWITCHING(PORTS)																										
Exchange Ports																										
NOTE: Although the Port Rate includes all available features in GA & TN, the desired features will need to be ordered using retail USOCs																										
2-WIRE VOICE GRADE LINE PORT RATES (RES)																										
		Exchange Ports - 2-Wire Analog Line Port- Res.			UEPSR	UEPRL	\$1.62	\$4.76	\$4.54	\$2.76	\$2.59	\$3.50	\$19.99													
		Exchange Ports - 2-Wire Analog Line Port with Caller ID - Res.			UEPSR	UEPRC	\$1.62	\$4.76	\$4.54	\$2.76	\$2.59	\$3.50	\$19.99													
		Exchange Ports - 2-Wire Analog Line Port outgoing only - Res.			UEPSR	UEPRO	\$1.62	\$4.76	\$4.54	\$2.76	\$2.59	\$3.50	\$19.99													
		Exchange Ports - 2-Wire VG unbundled Florida area calling with Caller ID - Res.			UEPSR	UEPAF	\$1.62	\$4.76	\$4.54	\$2.76	\$2.59	\$3.50	\$19.99													
		Exchange Ports - 2-Wire VG unbundled res, low usage line port with Caller ID (LUM)			UEPSR	UEPAP	\$1.62	\$4.54	\$4.54	\$2.76	\$2.59	\$3.50	\$19.99													
		Subsequent Activity			UEPSR	USASC	\$0.0	\$0.0	\$0.0		\$3.50	\$19.99														
		FEATURES																								
		All Available Vertical Features			UEPSR	UEPVF	\$3.40	\$0.0	\$0.0		\$3.5	\$19.99														
2-WIRE VOICE GRADE LINE PORT RATES (BUS)																										
		Exchange Ports - 2-Wire Analog Line Port without Caller ID - Bus			UEPSB	UEPBL	\$1.62	\$4.76	\$4.54	\$2.76	\$2.59	\$3.50	\$19.99													
		Exchange Ports - 2-Wire VG unbundled Line Port with unbundled port with Caller+E484 ID - Bus.			UEPSB	UEPBC	\$1.62	\$4.76	\$4.54	\$2.76	\$2.59	\$3.50	\$19.99													
		Exchange Ports - 2-Wire Analog Line Port outgoing only - Bus.			UEPSB	UEPBO	\$1.62	\$4.76	\$4.54	\$2.76	\$2.59	\$3.50	\$19.99													
		Exchange Ports - 2-Wire VG unbundled incoming only port with Caller ID - Bus			UEPSB	UEPB1	\$1.62	\$4.76	\$4.54	\$2.76	\$2.59	\$3.50	\$19.99													
		Subsequent Activity			UEPSB	USASC	\$0.0	\$0.0	\$0.0		\$3.50	\$19.99														
		FEATURES																								
		All Available Vertical Features			UEPSB	UEPVF	\$3.4	\$0.0	\$0.0		\$3.50	\$19.99														
EXCHANGE PORT RATES (DID & PBX)																										
		Exchange Ports - 2-Wire DID Port			UEPEX	UEPP2	\$9.38	\$248.44	\$37.49	\$113.28	\$7.12	\$3.50	\$19.99													
		Exchange Ports - DDITS Port - 4-Wire DS1 Port with DID capability			UEPDD	UEPDD	\$63.31	\$413.93	\$191.44	\$137.29	\$4.65		\$19.99													
		Exchange Ports - 2-Wire ISDN Port - (See Notes below.)			UEPTX UEPSX	U1PMA	\$10.20	\$155.34	\$106.00	\$93.37	\$20.98	\$3.50	\$19.99													
		All Features Offered			UEPTX UEPSX	UEPVF	\$3.40	\$0.0	\$0.0																	
NOTE: Transmission/usage charges associated with POTS circuit switched usage will also apply to circuit switched voice and/or circuit switched data transmission by B-Channels associated with 2-wire ISDN ports.																										
NOTE: Access to B Channel or D Channel Packet capabilities will be available only through BFR/New Business Request Process. Rates for the packet capabilities will be determined via the Bona Fide Request/New Business Request Process.																										
		Exchange Ports - 2-Wire ISDN Port - Channel Profiles			UEPTX UEPSX	U1UMA	\$0.0	\$0.0	\$0.0																	
		Exchange Ports - 4-Wire ISDN DS1 Port			UEPEX	UEPEX	\$95.39	\$417.51	\$203.18	\$149.75	\$37.93	\$3.50	\$19.99													

BELLSOUTH / METROMEDIA FIBER NETWORK SERVICES RATES
 Unbundled Network Elements
 FLORIDA

							RATES					OSS RATES						
CATEGORY	NOTES	UNBUNDLED NETWORK ELEMENT	Interim	Zone	BCS	USOC	Rec	First	Add'l	First	Add'l	SOME C	SOMAN	SOMAN	SOMAN	SOMAN	Incremental Charge - Manual Svc Order vs. Electronic-Disc 1st	Incremental Charge - Manual Svc Order vs. Electronic-Disc Add'l
																Svc Order Submitted Elec per LSR	Svc Order Submitted Manually per LSR	Incremental Charge - Manual Svc Order vs. Electronic-1st
		2-Wire VG Unbundled 2-Way PBX Trunk - Res			UEPSE	UEPRD	\$1.62	\$62.56	\$29.70	\$26.37	\$1.69	\$3.50	\$19.99					
		2-Wire VG Line Side Unbundled 2-Way PBX Trunk - Bus			UEPSP	UEPPC	\$1.62	\$62.56	\$29.70	\$26.37	\$1.69	\$3.50	\$19.99					
		2-Wire VG Line Side Unbundled Outward PBX Trunk - Bus			UEPSP	UEPPO	\$1.62	\$62.56	\$29.70	\$26.37	\$1.69	\$3.50	\$19.99					
		2-Wire VG Line Side Unbundled Incoming PBX Trunk - Bus			UEPSP	UEPP1	\$1.62	\$62.56	\$29.70	\$26.37	\$1.69	\$3.50	\$19.99					
		2-Wire Analog Long Distance Terminal PBX Trunk - Bus			UEPSP	UEPLD	\$1.62	\$62.56	\$29.70	\$26.37	\$1.69	\$3.50	\$19.99					
		2-Wire Analog TN 2-Way Calling Plan PBX Trunk - Bus			UEPSP	UEPT2	\$1.62	\$62.56	\$29.70	\$26.37	\$1.69	\$3.50	\$19.99					
		2-Wire TN Outward Calling Plan PBX Trunk - Bus			UEPSP	UEPT0	\$1.62	\$62.56	\$29.70	\$26.37	\$1.69	\$3.50	\$19.99					
		2-Wire Voice Unbundled PBX LD Terminal Ports			UEPSP	UEPLD	\$1.62	\$62.56	\$29.70	\$26.37	\$1.69	\$3.50	\$19.99					
		2-Wire Voice Unbundled 2-Way PBX Usage Port			UEPSP	UEPXA	\$1.62	\$62.56	\$29.70	\$26.37	\$1.69	\$3.50	\$19.99					
		2-Wire Voice Unbundled PBX Toll Terminal Hotel Ports			UEPSP	UEPXB	\$1.62	\$62.56	\$29.70	\$26.37	\$1.69	\$3.50	\$19.99					
		2-Wire Voice Unbundled PBX LD DDD Terminals Port			UEPSP	UEPXC	\$1.62	\$62.56	\$29.70	\$26.37	\$1.69	\$3.50	\$19.99					
		2-Wire Voice Unbundled PBX LD Terminal Switchboard Port			UEPSP	UEPXD	\$1.62	\$62.56	\$29.70	\$26.37	\$1.69	\$3.50	\$19.99					
		2-Wire Voice Unbundled PBX LD Terminal Switchboard IDD Capable Port			UEPSP	UEPXE	\$1.62	\$62.56	\$29.70	\$26.37	\$1.69	\$3.50	\$19.99					
		2-Wire Voice Unbundled 2-Way PBX Hotel/Hospital Economy Administrative Calling Port			UEPSP	UEPXL	\$1.62	\$62.56	\$29.70	\$26.37	\$1.69	\$3.50	\$19.99					
		2-Wire Voice Unbundled 2-Way PBX Hotel/Hospital Economy Room Calling Port			UEPSP	UEPXM	\$1.62	\$62.56	\$29.70	\$26.37	\$1.69	\$3.50	\$19.99					
		2-Wire Voice Unbundled 1-Way Outgoing PBX Hotel/Hospital Discount Room Calling Port			UEPSP	UEPXO	\$1.62	\$62.56	\$29.70	\$26.37	\$1.69	\$3.50	\$19.99					
		2-Wire Voice Unbundled 1-Way Outgoing PBX Measured Port			UEPSP	UEPXS	\$1.62	\$62.56	\$29.70	\$26.37	\$1.69	\$3.50	\$19.99					
		Subsequent Activity			UEPSP	USASC	\$0.0	\$0.0	\$0.0			\$3.50	\$19.99					
		FEATURES																
		All Available Vertical Features			UEPSP	UEPSE	UEPVF	\$3.4	\$0.0	\$0.0		\$3.5	\$19.99					
		EXCHANGE PORT RATES (COIN)																
		Exchange Ports - Coin Port						\$1.62	\$4.76	\$4.54	\$2.76	\$2.59	\$3.50	\$19.99				
		NOTE: Transmission/usage charges associated with POTS circuit switched usage will also apply to circuit switched voice and/or circuit switched data transmission by B-Channels associated with 2-wire ISDN ports.																
		NOTE: Access to B Channel or D Channel Packet capabilities will be available only through BFR/New Business Request Process. Rates for the packet capabilities will be determined via the Bona Fide Request/New Business Request Process.																
		UNBUNDLED LOCAL SWITCHING, PORT USAGE																
		End Office Switching (Port Usage)																
		End Office Switching Function, Per MOU										\$0.0008846						
		End Office Trunk Port - Shared, Per MOU										\$0.001893						
		Tandem Switching (Port Usage) (Local or Access Tandem)																
		Tandem Switching Function Per MOU										\$0.0001522						
		Tandem Trunk Port - Shared, Per MOU										\$0.0002713						
		Common Transport																
		Common Transport - Per Mile, Per MOU										\$0.0000039						
		Common Transport - Facilities Termination Per MOU										\$0.0004579						
		UNBUNDLED PORT/LOOP COMBINATIONS																
		UNBUNDLED PORT/LOOP COMBINATIONS - COST BASED RATES																

BELLSOUTH / METROMEDIA FIBER NETWORK SERVICES RATES
Unbundled Network Elements
FLORIDA

CATEGORY	NOTES	UNBUNDLED NETWORK ELEMENT	Interim	Zone	BCS	USOC	RATES				OSS RATES								
							Rec	First	Add'l	First	Add'l	Svc Order Submitted Elec per LSR	Svc Order Submitted Manually per LSR	Incremental Charge - Manual Svc Order vs. Electronic-1st	Incremental Charge - Manual Svc Order vs. Electronic-Add'l	Incremental Charge - Manual Svc Order vs. Electronic-Disc 1st	Incremental Charge - Manual Svc Order vs. Electronic-Disc Add'l		
																		Nonrecurring	Nonrecurring
																		Disconnect	
SOMEC	SOMAN	SOMAN	SOMAN	SOMAN	SOMAN														
	Cost Based Rates are applied where BellSouth is required by FCC and/or State Commission rule to provide Unbundled Local Switching or Switch Ports.																		
	Features shall apply to the Unbundled Port/Loop Combination - Cost Based Rate section in the same manner as they are applied to the Stand-Alone Unbundled Port section of this Rate Exhibit.																		
	End Office and Tandem Switching Usage and Common Transport Usage rates in the Port section of this rate exhibit shall apply to all combinations of loop/port network elements except for UNE Coin Port/Loop Combinations.																		
	For Georgia, the recurring UNE Port and Loop charges listed apply to Currently Combined and Not Currently Combined Combos and the first and additional Port nonrecurring charges apply to Not Currently Combined Combos. For Currently Combined Combos in GA and all other states, the nonrecurring charges shall be those identified in the Nonrecurring - Currently Combined sections.																		
	2-WIRE VOICE GRADE LOOP WITH 2-WIRE LINE PORT (RES)																		
	UNE Port/Loop Combination Rates																		
	2-Wire VG Loop/Port Combo - Zone 1			1															
	2-Wire VG Loop/Port Combo - Zone 2			2															
	2-Wire VG Loop/Port Combo - Zone 3			3															
	UNE Loop Rates																		
	2-Wire Voice Grade Loop (SL1) - Zone 1			1	UEPRX	UEPLX													
	2-Wire Voice Grade Loop (SL1) - Zone 2			2	UEPRX	UEPLX													
	2-Wire Voice Grade Loop (SL1) - Zone 3			3	UEPRX	UEPLX													
	2-Wire Voice Grade Line Port Rates (Res)																		
	2-Wire voice unbundled port - residence				UEPRX	UEPRL	\$1.35					\$3.50	\$21.56	\$21.56	\$3.84	\$3.84			
	2-Wire voice unbundled port with Caller ID - res				UEPRX	UEPRC	\$1.35					\$3.50	\$21.56	\$21.56	\$3.84	\$3.84			
	2-Wire voice unbundled port outgoing only - res				UEPRX	UEPRO	\$1.35					\$3.50	\$21.56	\$21.56	\$3.84	\$3.84			
	2-Wire voice unbundled Florida Area Calling with Caller ID - res				UEPRX	UEPAF	\$1.35					\$3.50	\$21.56	\$21.56	\$3.84	\$3.84			
	2-Wire voice unbundled res, low usage line port with Caller ID (LUM)				UEPRX	UEPAP	\$1.35					\$3.50	\$21.56	\$21.56	\$3.84	\$3.84			
	FEATURES																		
	All Features Offered				UEPRX	UEPVF	\$3.40	\$0.0	\$0.0			\$3.50	\$21.56	\$21.56	\$3.84	\$3.84			
	LOCAL NUMBER PORTABILITY																		
	Local Number Portability (1 per port)				UEPRX	LNPCX	\$0.35												
	NONRECURRING CHARGES (NRCs) - CURRENTLY COMBINED																		
	2-Wire Voice Grade Loop / Line Port Combination - Conversion - Switch-as-is				UEPRX	USAC2		\$0.1964	\$0.1964			\$3.50	\$21.56	\$21.56	\$3.84	\$3.84			
	2-Wire Voice Grade Loop / Line Port Combination - Conversion - Switch with change				UEPRX	USACC		\$0.1964	\$0.1964			\$3.50	\$21.56	\$21.56	\$3.84	\$3.84			
	ADDITIONAL NRCs																		
	2-Wire Voice Grade Loop/Line Port Combination - Subsequent Activity				UEPRX	USAS2	\$0.0	\$0.0	\$0.0			\$3.50	\$19.99						

BELLSOUTH / METROMEDIA FIBER NETWORK SERVICES RATES
Unbundled Network Elements
FLORIDA

CATEGORY	NOTES	UNBUNDLED NETWORK ELEMENT	Interim	Zone	BCS	USOC	RATES				OSS RATES									
							Rec	First	Add'l	First	Add'l	Svc Order Submitted Elec per LSR	Svc Order Submitted Manually per LSR	Incremental Charge - Manual Svc Order vs. Electronic-1st	Incremental Charge - Manual Svc Order vs. Electronic-Add'l	Incremental Charge - Manual Svc Order vs. Electronic-Disc 1st	Incremental Charge - Manual Svc Order vs. Electronic-Disc Add'l			
																		Nonrecurring	Nonrecurring	Disconnect
SOMECC	SOMAN	SOMAN	SOMAN	SOMAN	SOMAN															
		2-WIRE VOICE GRADE LOOP WITH 2-WIRE LINE PORT (BUS)																		
		UNE Port/Loop Combination Rates																		
		2-Wire VG Loop/Port Combo - Zone 1		1			\$16.25													
		2-Wire VG Loop/Port Combo - Zone 2		2			\$19.86													
		2-Wire VG Loop/Port Combo - Zone 3		3			\$25.60													
		UNE Loop Rates																		
		2-Wire Voice Grade Loop (SL1) - Zone 1		1	UEPBX	UEPLX	\$14.90													
		2-Wire Voice Grade Loop (SL1) - Zone 2		2	UEPBX	UEPLX	\$18.51													
		2-Wire Voice Grade Loop (SL1) - Zone 3		3	UEPBX	UEPLX	\$24.25													
		2-Wire Voice Grade Line Port (Bus)																		
		2-Wire voice unbundled port without Caller ID - bus			UEPBX	UEPBL	\$1.35				\$3.50		\$21.56	\$21.56	\$3.84	\$3.84				
		2-Wire voice unbundled port with Caller + E484 ID - bus			UEPBX	UEPBC	\$1.35				\$3.50		\$21.56	\$21.56	\$3.84	\$3.84				
		2-Wire voice unbundled port outgoing only - bus			UEPBX	UEPBO	\$1.35				\$3.50		\$21.56	\$21.56	\$3.84	\$3.84				
		2-Wire voice unbundled incoming only port with Caller ID - Bus			UEPBX	UEPB1	\$1.35				\$3.50		\$21.56	\$21.56	\$3.84	\$3.84				
		LOCAL NUMBER PORTABILITY																		
		Local Number Portability (1 per port)			UEPBX	LNPCX	\$0.35													
		FEATURES																		
		All Features Offered			UEPBX	UEPVF	\$3.40	\$0.0	\$0.0		\$3.50		\$21.56	\$21.56	\$3.84	\$3.84				
		NONRECURRING CHARGES (NRCs) - CURRENTLY COMBINED																		
		2-Wire Voice Grade Loop / Line Port Combination - Conversion - Switch-as-is			UEPBX	USAC2		\$0.1964	\$0.1964		\$3.50		\$21.56	\$21.56	\$3.84	\$3.84				
		2-Wire Voice Grade Loop / Line Port Combination - Conversion - Switch with change			UEPBX	USACC		\$0.1964	\$0.1964		\$3.50		\$21.56	\$21.56	\$3.84	\$3.84				
		ADDITIONAL NRCs																		
		2-Wire Voice Grade Loop/Line Port Combination - Subsequent Activity			UEPBX	USAS2					\$3.50		\$21.56	\$21.56	\$3.84	\$3.84				
		2-WIRE VOICE GRADE LOOP WITH 2-WIRE LINE PORT (RES - PBX)																		
		UNE Port/Loop Combination Rates																		
		2-Wire VG Loop/Port Combo - Zone 1		1			\$16.25													
		2-Wire VG Loop/Port Combo - Zone 2		2			\$19.86													
		2-Wire VG Loop/Port Combo - Zone 3		3			\$25.60													
		UNE Loop Rates																		
		2-Wire Voice Grade Loop (SL 1) - Zone 1		1	UEPRG	UEPLX	\$14.90													
		2-Wire Voice Grade Loop (SL 1) - Zone 2		2	UEPRG	UEPLX	\$18.51													
		2-Wire Voice Grade Loop (SL 1) - Zone 3		3	UEPRG	UEPLX	\$24.25													
		2-Wire Voice Grade Line Port Rates (RES - PBX)																		
		2-Wire VG Unbundled Combination 2-Way PBX Trunk Port - Res			UEPRG	UEPRD	\$1.35				\$3.5		\$21.56	\$21.56	\$3.84	\$3.84				
		LOCAL NUMBER PORTABILITY																		
		Local Number Portability (1 per port)			UEPRG	LNPCP	\$3.5													
		FEATURES																		
		All Features Offered			UEPRG	UEPVF	\$3.40	\$0.0	\$0.0		\$3.50		\$21.56	\$21.56	\$3.84	\$3.84				
		NONRECURRING CHARGES (NRCs) - CURRENTLY COMBINED																		
		2-Wire Voice Grade Loop/ Line Port Combination (PBX) - Conversion - Switch-As-Is			UEPRG	USAC2		\$15.82	\$3.80		\$3.50		\$21.56	\$21.56	\$3.84	\$3.84				
		2-Wire Voice Grade Loop/ Line Port Combination (PBX) - Conversion - Switch with Change			UEPRG	USACC		\$15.82	\$3.80		\$3.50		\$21.56	\$21.56	\$3.84	\$3.84				

BELLSOUTH / METROMEDIA FIBER NETWORK SERVICES RATES
Unbundled Network Elements
FLORIDA

CATEGORY	NOTES	UNBUNDLED NETWORK ELEMENT	Interim	Zone	BCS	USOC	RATES				OSS RATES								
							Rec	First	Add'l	First	Add'l	Svc Order Submitted Elec per LSR	Svc Order Submitted Manually per LSR	Incremental Charge - Manual Svc Order vs. Electronic-1st	Incremental Charge - Manual Svc Order vs. Electronic-Add'l	Incremental Charge - Manual Svc Order vs. Electronic-Disc 1st	Incremental Charge - Manual Svc Order vs. Electronic-Disc Add'l		
																		Nonrecurring	Nonrecurring
																		Disconnect	
SOME C	SOMAN	SOMAN	SOMAN	SOMAN	SOMAN														
ADDITIONAL NRCs																			
		2-Wire Voice Grade Loop/ Line Port Combination (PBX) - Subsequent Activity			UEPRG	USAS2	\$0.0	\$0.0	\$0.0			\$3.50	\$19.99						
		PBX Subsequent Activity - Change/Rearrange Multiline Hunt Group						\$14.64	\$14.64			\$3.5	\$19.99						
2-WIRE VOICE GRADE LOOP WITH 2-WIRE LINE PORT (BUS - PBX)																			
UNE Port/Loop Combination Rates																			
		2-Wire VG Loop/Port Combo - Zone 1		1			\$16.25												
		2-Wire VG Loop/Port Combo - Zone 2		2			\$19.86												
		2-Wire VG Loop/Port Combo - Zone 3		3			\$25.60												
UNE Loop Rates																			
		2-Wire Voice Grade Loop (SL 1) - Zone 1		1	UEPPX	UEPLX	\$14.90												
		2-Wire Voice Grade Loop (SL 1) - Zone 2		2	UEPPX	UEPLX	\$18.51												
		2-Wire Voice Grade Loop (SL 1) - Zone 3		3	UEPPX	UEPLX	\$24.25												
2-Wire Voice Grade Line Port Rates (BUS - PBX)																			
		Line Side Unbundled Combination 2-Way PBX Trunk Port - Bus			UEPPX	UEPPC	\$1.35					\$3.50	\$21.56	\$21.56	\$3.84	\$3.84			
		Line Side Unbundled Outward PBX Trunk Port - Bus			UEPPX	UEPPO	\$1.35					\$3.50	\$21.56	\$21.56	\$3.84	\$3.84			
		Line Side Unbundled Incoming PBX Trunk Port - Bus			UEPPX	UEPP1	\$1.35					\$3.50	\$21.56	\$21.56	\$3.84	\$3.84			
		2-Wire Voice Unbundled PBX LD Terminal Ports			UEPPX	UEPLD	\$1.35					\$3.50	\$21.56	\$21.56	\$3.84	\$3.84			
		2-Wire Voice Unbundled 2-Way Combination PBX Usage Port			UEPPX	UEPXA	\$1.35					\$3.50	\$21.56	\$21.56	\$3.84	\$3.84			
		2-Wire Voice Unbundled PBX Toll Terminal Hotel Ports			UEPPX	UEPXB	\$1.35					\$3.50	\$21.56	\$21.56	\$3.84	\$3.84			
		2-Wire Voice Unbundled PBX LD DDD Terminals Port			UEPPX	UEPXC	\$1.35					\$3.50	\$21.56	\$21.56	\$3.84	\$3.84			
		2-Wire Voice Unbundled PBX LD Terminal Switchboard Port			UEPPX	UEPXD	\$1.35					\$3.50	\$21.56	\$21.56	\$3.84	\$3.84			
		2-Wire Voice Unbundled PBX LD Terminal Switchboard IDD Capable Port			UEPPX	UEPXE	\$1.35					\$3.50	\$21.56	\$21.56	\$3.84	\$3.84			
		2-Wire Voice Unbundled 2-Way PBX Hotel/Hospital Economy Administrative Calling Port			UEPPX	UEPXL	\$1.35					\$3.50	\$21.56	\$21.56	\$3.84	\$3.84			
		2-Wire Voice Unbundled 2-Way PBX Hotel/Hospital Economy Room Calling Port			UEPPX	UEPXM	\$1.35					\$3.50	\$21.56	\$21.56	\$3.84	\$3.84			
		2-Wire Voice Unbundled 1-Way Outgoing PBX Hotel/Hospital Discount Room Calling Port			UEPPX	UEPXO	\$1.35					\$3.50	\$21.56	\$21.56	\$3.84	\$3.84			
		2-Wire Voice Unbundled 1-Way Outgoing PBX Measured Port			UEPPX	UEPXS	\$1.35					\$3.50	\$21.56	\$21.56	\$3.84	\$3.84			
LOCAL NUMBER PORTABILITY																			
		Local Number Portability (1 per port)			UEPPX	LNPCP	\$3.15												
FEATURES																			
		All Features Offered			UEPPX	UEPVF	\$3.40	\$0.0	\$0.0			\$3.50	\$21.56	\$21.56	\$3.84	\$3.84			
NONRECURRING CHARGES (NRCs) - CURRENTLY COMBINED																			
		2-Wire Voice Grade Loop/ Line Port Combination (PBX) - Conversion - Switch-As-Is			UEPPX	USAC2		\$15.82	\$3.80			\$3.50	\$21.56	\$21.56	\$3.84	\$3.84			
		2-Wire Voice Grade Loop/ Line Port Combination (PBX) - Conversion - Switch with Change			UEPPX	USACC		\$15.82	\$3.80			\$3.50	\$21.56	\$21.56	\$3.84	\$3.84			
ADDITIONAL NRCs																			
		2-Wire Voice Grade Loop/ Line Port Combination (PBX) - Subsequent Activity			UEPPX	USAS2	\$0.0	\$0.0	\$0.0			\$3.50	\$19.99						
		PBX Subsequent Activity - Change/Rearrange Multiline Hunt Group						\$14.64	\$14.64			\$3.5	\$19.99						
2-WIRE VOICE GRADE LOOP WITH 2-WIRE ANALOG LINE COIN PORT																			
UNE Port/Loop Combination Rates																			
		2-Wire VG Coin Port/Loop Combo - Zone 1					\$16.38												

BELLSOUTH / METROMEDIA FIBER NETWORK SERVICES RATES
Unbundled Network Elements
FLORIDA

CATEGORY	NOTES	UNBUNDLED NETWORK ELEMENT	Interim	Zone	BCS	USOC	RATES				OSS RATES							
							Rec	First	Add'l	First	Add'l	SOME C	SOMAN	SOMAN	SOMAN	SOMAN	SOMAN	SOMAN
							Nonrecurring	Nonrecurring		Nonrecurring		Svc Order Submitted Elec per LSR	Svc Order Submitted Manually per LSR	Incremental Charge - Manual Svc Order vs. Electronic-1st	Incremental Charge - Manual Svc Order vs. Electronic-Add'l	Incremental Charge - Manual Svc Order vs. Electronic-Disc 1st	Incremental Charge - Manual Svc Order vs. Electronic-Disc Add'l	
								Disconnect										
		2-Wire VG Coin Port/Loop Combo - Zone 2					\$19.99											
		2-Wire VG Coin Port/Loop Combo - Zone 3					\$25.73											
		UNE Loop Rates																
		2-Wire Voice Grade Loop (SL1) - Zone 1			UEPCO	UEPLX	\$14.90											
		2-Wire Voice Grade Loop (SL1) - Zone 2			UEPCO	UEPLX	\$18.51											
		2-Wire Voice Grade Loop (SL1) - Zone 3			UEPCO	UEPLX	\$24.25											
		2-Wire Voice Grade Line Ports (COIN)																
		2-Wire Coin 2-Way with Operator Screening and Blocking: 011, 900/976, 1+DDD (FL)			UEPCO	UEP2F	\$1.48				\$3.5		\$21.56	\$21.56	\$3.84	\$3.84		
		2-Wire Coin 2-Way with Operator Screening and 011 Blocking (FL)			UEPCO	UEPFA	\$1.48				\$3.5		\$21.56	\$21.56	\$3.84	\$3.84		
		2-Wire Coin 2-Way with Operator Screening and Blocking: 900/976, 1+DDD, 011+, and Local (FL)			UEPCO	UEPCG	\$1.48				\$3.5		\$21.56	\$21.56	\$3.84	\$3.84		
		2-Wire Coin Outward with Operator Screening and 011 Blocking (AL, FL)			UEPCO	UEPRK	\$1.48				\$3.5		\$21.56	\$21.56	\$3.84	\$3.84		
		2-Wire Coin Outward with Operator Screening and Blocking: 900/976, 1+DDD, 011+ (FL)			UEPCO	UEPOF	\$1.48				\$3.5		\$21.56	\$21.56	\$3.84	\$3.84		
		2-Wire Coin Outward with Operator Screening and Blocking: 900/976, 1+DDD, 011+, and Local (FL, GA)			UEPCO	UEPCQ	\$1.48				\$3.5		\$21.56	\$21.56	\$3.84	\$3.84		
		2-Wire 2-Way Smartline with 900/976 (all states except LA)			UEPCO	UEPCK	\$1.48				\$3.5		\$21.56	\$21.56	\$3.84	\$3.84		
		2-Wire Coin Outward Smartline with 900/976 (all states except LA)			UEPCO	UEPCR	\$1.48				\$3.5		\$21.56	\$21.56	\$3.84	\$3.84		
		ADDITIONAL UNE COIN PORT/LOOP (RC)																
		UNE Coin Port/Loop Combo Usage (Flat Rate)			UEPCO	URECU	\$1.86	\$0.0	\$0.0									
		LOCAL NUMBER PORTABILITY																
		Local Number Portability (1 per port)			UEPCO	LNPCX	\$0.35											
		NONRECURRING CHARGES - CURRENTLY COMBINED																
		2-Wire Voice Grade Loop / Line Port Combination - Conversion - Switch-as-is			UEPCO	USAC2		\$0.20	\$0.20		\$3.5		\$21.56	\$21.56	\$3.84	\$3.84		
		2-Wire Voice Grade Loop / Line Port Combination - Conversion - Switch with change			UEPCO	USACC		\$0.20	\$0.20		\$3.5		\$21.56	\$21.56	\$3.84	\$3.84		
		ADDITIONAL NRCs																
		2-Wire Voice Grade Loop/Line Port Combination - Subsequent Activity			UEPCO	USAS2		\$0.0	\$0.0		\$3.5		\$21.56	\$21.56	\$3.84	\$3.84		
		2-WIRE VOICE GRADE LOOP- BUS ONLY - WITH 2-WIRE DID TRUNK PORT																
		UNE Port/Loop Combination Rates																
		2-Wire VG Loop/2-Wire DID Trunk Port Combo - UNE Zone 1		1			\$27.84											
		2-Wire VG Loop/2-Wire DID Trunk Port Combo - UNE Zone 2		2			\$31.79											
		2-Wire VG Loop/2-Wire DID Trunk Port Combo - UNE Zone 3		3			\$37.23											
		UNE Loop Rates																
		2-Wire Analog Voice Grade Loop - (SL2) - UNE Zone 1		1	UEPPX	UECD1	\$18.48	\$218.96	\$136.44	\$113.41	\$20.58	\$19.99						
		2-Wire Analog Voice Grade Loop - (SL2) - UNE Zone 2		2	UEPPX	UECD1	\$22.43	\$218.96	\$136.44	\$113.41	\$20.58	\$19.99						
		2-Wire Analog Voice Grade Loop - (SL2) - UNE Zone 3		3	UEPPX	UECD1	\$27.87	\$218.96	\$136.44	\$113.41	\$20.58	\$19.99						
		UNE Port Rate																
		Exchange Ports - 2-Wire DID Port			UEPPX	UEPD1	\$9.36	\$284.44	\$37.49	\$113.28	\$7.12	\$19.99						
		NONRECURRING CHARGES - CURRENTLY COMBINED																
		2-Wire Voice Grade Loop / 2-Wire DID Trunk Port Combination - Switch-as-is			UEPPX	USAC1		\$14.62	\$3.73			\$19.99						

BELLSOUTH / METROMEDIA FIBER NETWORK SERVICES RATES
Unbundled Network Elements
FLORIDA

CATEGORY	NOTES	UNBUNDLED NETWORK ELEMENT	Interim	Zone	BCS	USOC	RATES				OSS RATES											
							Rec	First	Add'l	First	Add'l	SOME C	SOMAN	SOMAN	SOMAN	SOMAN	SOMAN	SOMAN				
																			Nonrecurring		Nonrecurring	
																			Disconnect		Disconnect	
Svc Order Submitted Elec per LSR	Svc Order Submitted Manually per LSR	Incremental Charge - Manual Svc Order vs. Electronic-1st	Incremental Charge - Manual Svc Order vs. Electronic-Add'l	Incremental Charge - Manual Svc Order vs. Electronic-Disc 1st	Incremental Charge - Manual Svc Order vs. Electronic-Disc Add'l																	
		2-Wire Voice Grade Loop / 2-Wire DID Trunk Port Conversion with BellSouth Allowable Changes			UEPPX	USA1C		\$14.62	\$3.73			\$19.99										
	ADDITIONAL NRCs																					
		2-Wire DID Subsequent Activity - Add Trunks, Per Trunk			UEPPX	USAS1		\$53.57	\$53.57			\$19.99										
		Telephone Number/Trunk Group Establishment Charges																				
		DID Trunk Termination (One Per Port)			UEPPX	NDT	\$0.00	\$0.00	\$0.00			\$19.99										
		DID Numbers, Establish Trunk Group and Provide First Group of 20 DID Numbers			UEPPX	NDZ	\$0.00	\$0.00	\$0.00			\$19.99										
		Additional DID Numbers for each Group of 20 DID Numbers			UEPPX	ND4	\$0.00	\$0.00	\$0.00			\$19.99										
		DID Numbers, Non- consecutive DID Numbers , Per Number			UEPPX	ND5	\$0.00	\$0.00	\$0.00			\$19.99										
		Reserve Non-Consecutive DID numbers			UEPPX	ND6	\$0.00	\$0.00	\$0.00			\$19.99										
		Reserve DID Numbers			UEPPX	NDV	\$0.00	\$0.00	\$0.00			\$19.99										
		LOCAL NUMBER PORTABILITY																				
		Local Number Portability (1 per port)			UEPPX	LNPCP	\$3.15															
		2-WIRE ISDN DIGITAL GRADE LOOP WITH 2-WIRE ISDN DIGITAL LINE SIDE PORT																				
		UNE Port/Loop Combination Rates																				
		2W ISDN Digital Grade Loop/2W ISDN Digital Line Side Port - UNE Zone 1		1	UEPPB	UEPPR	\$30.99															
		2W ISDN Digital Grade Loop/2W ISDN Digital Line Side Port - UNE Zone 2		2	UEPPB	UEPPR	\$36.41															
		2W ISDN Digital Grade Loop/2W ISDN Digital Line Side Port - UNE Zone 3		3	UEPPB	UEPPR	\$39.29															
		UNE Loop Rates																				
		2-Wire ISDN Digital Grade Loop - UNE Zone 1		1	UEPPB	UEPPR	USL2X	\$22.48	\$238.33	\$155.81	\$111.10	\$18.28	\$19.99									
		2-Wire ISDN Digital Grade Loop - UNE Zone 2		2	UEPPB	UEPPR	USL2X	\$27.90	\$238.33	\$155.81	\$111.10	\$18.28	\$19.99									
		2-Wire ISDN Digital Grade Loop - UNE Zone 3		3	UEPPB	UEPPR	USL2X	\$30.78	\$238.33	\$155.81	\$111.10	\$18.28	\$19.99									
		UNE Port Rate																				
		Exchange Port - 2-Wire ISDN Line Side Port			UEPPB	UEPPR	UEPPB	\$8.51	\$155.34	\$106.00	\$93.37	\$20.98	\$19.99									
		NONRECURRING CHARGES - CURRENTLY COMBINED																				
		2-Wire ISDN Digital Grade Loop / 2-Wire ISDN Line Side Port Combination - Conversion			UEPPB	UEPPR	USACB	\$0.0	\$86.79	\$54.04		\$19.99										
		ADDITIONAL NRCs																				
		LOCAL NUMBER PORTABILITY																				
		Local Number Portability (1 per port)			UEPPB	UEPPR	LNPCX	\$0.35	\$0.00	\$0.00												
		B-CHANNEL USER PROFILE ACCESS:																				
		CVS/CSD (DMS/5ESS)			UEPPB	UEPPR	U1UCA	\$0.00	\$0.00	\$0.00												
		CVS (EWSD)			UEPPB	UEPPR	U1UCB	\$0.00	\$0.00	\$0.00												
		CSD			UEPPB	UEPPR	U1UCC	\$0.00	\$0.00	\$0.00												
		B-CHANNEL AREA PLUS USER PROFILE ACCESS: (AL,KY,LA,MS SC,MS, & TN)																				
		USER TERMINAL PROFILE																				
		User Terminal Profile (EWSD only)			UEPPB	UEPPR	U1UMA	\$0.00	\$0.00	\$0.00												
		VERTICAL FEATURES																				
		All Vertical Features - One per Channel B User Profile			UEPPB	UEPPR	UEPVF	\$3.40	\$0.00	\$0.00												

BELLSOUTH / METROMEDIA FIBER NETWORK SERVICES RATES
Unbundled Network Elements
FLORIDA

CATEGORY	NOTES	UNBUNDLED NETWORK ELEMENT	Interim	Zone	BCS	USOC	RATES					OSS RATES					
							Rec	First	Add'l	First	Add'l	SOME C	SOMAN	SOMAN	SOMAN	SOMAN	SOMAN
							Nonrecurring			Nonrecurring							
INTEROFFICE CHANNEL MILEAGE																	
		Interoffice Channel mileage each, including first mile and facilities termination			UEPPB UEPPR	M1GNC	\$19.31	\$81,011.000000	\$54.83				\$0.0				
		Interoffice Channel mileage each, additional mile			UEPPB UEPPR	M1GNM	\$0.0098	\$0.00	\$0.00			\$0.0	\$0.0				
4-WIRE DS1 DIGITAL LOOP WITH 4-WIRE ISDN DS1 DIGITAL TRUNK PORT																	
UNE Port/Loop Combination Rates																	
		4W DS1 Digital Loop/4W ISDN DS1 Digital Trunk Port - UNE Zone 1		1	UEPPP		\$187.87										
		4W DS1 Digital Loop/4W ISDN DS1 Digital Trunk Port - UNE Zone 2		2	UEPPP		\$215.07										
		4W DS1 Digital Loop/4W ISDN DS1 Digital Trunk Port - UNE Zone 3		3	UEPPP		\$290.08										
UNE Loop Rates																	
		4-Wire DS1 Digital Loop - UNE Zone 1		1	UEPPP	USL4P	\$92.48	\$505.12	\$315.08	\$82.85	\$21.69		\$19.99				
		4-Wire DS1 Digital Loop - UNE Zone 2		2	UEPPP	USL4P	\$119.68	\$505.12	\$315.18	\$82.85	\$21.69		\$19.99				
		4-Wire DS1 Digital Loop - UNE Zone 3		3	UEPPP	USL4P	\$194.70	\$505.12	\$315.18	\$127.85	\$33.06		\$19.99				
UNE Port Rate																	
		Exchange Ports - 4-Wire ISDN DS1 Port			UEPPP	UEPPP	\$95.39	\$417.51	\$203.18	\$149.75	\$37.93		\$19.99				
NONRECURRING CHARGES - CURRENTLY COMBINED																	
		4-Wire DS1 Digital Loop / 4-Wire ISDN DS1 Digital Trunk Port Combination - Conversion -Switch-as-is			UEPPP	USACP	\$0.00	\$247.97	\$157.17				\$19.99				
ADDITIONAL NRCs																	
		4-Wire DS1 Loop/4-W ISDN Digtl Trk Port - Subsq Actvy-Inward/two way tel nos within Std Allowance			UEPPP	PR7TF		\$0.9804					\$19.99				
		4-Wire DS1 Loop / 4-Wire ISDN DS1 Digital Trunk Port - Outward Tel Numbers (All States except NC)			UEPPP	PR7TO		\$23.02	\$23.02				\$19.99				
		4-Wire DS1 Loop / 4-Wire ISDN DS1 Digital Trk Port - Subsequent Inward Tel Nos Above Std Allowance			UEPPP	PR7ZT		\$46.05	\$46.05				\$19.99				
LOCAL NUMBER PORTABILITY																	
		Local Number Portability (1 per port)			UEPPP	LNPCN	\$1.75										
INTERFACE (Provisioning Only)																	
		Voice/Data			UEPPP	PR71V	\$0.00	\$0.00	\$0.00								
		Digital Data			UEPPP	PR71D	\$0.00	\$0.00	\$0.00								
		Inward Data			UEPPP	PR71E	\$0.00	\$0.00	\$0.00								
New or Additional "B" Channel																	
		New or Additional - Voice/Data B Channel			UEPPP	PR7BV	\$0.00	\$29.06					\$19.99				
		New or Additional - Digital Data B Channel			UEPPP	PR7BF	\$0.00	\$29.06					\$19.99				
		New or Additional Inward Data B Channel			UEPPP	PR7BD	\$0.00	\$29.06					\$19.99				
		New or Additional Useage Sensitive Voice Data B Channel			UEPPP	PR7BS	\$0.00	\$29.06					\$19.19				
		New or Additional Useage Sensitive Digital Data B Channel			UEPPP	PR7BU	\$0.00	\$29.06					\$19.99				
CALL TYPES																	
		Inward			UEPPP	PR7C1	\$0.00	\$0.00	\$0.00								
		Outward			UEPPP	PR7C0	\$0.00	\$0.00	\$0.00								
		Two-way			UEPPP	PR7CC	\$0.00	\$0.00	\$0.00								
		Interoffice Channel Mileage															
		Fixed Each Including First Mile			UEPPP	1LN1A	\$100.3913	\$45.91	\$44.18	\$30.30			\$19.99				
		Each Airline-Fractional Additional Mile			UEPPP	1LN1B	\$0.6013										

BELLSOUTH / METROMEDIA FIBER NETWORK SERVICES RATES
Unbundled Network Elements
FLORIDA

CATEGORY	NOTES	UNBUNDLED NETWORK ELEMENT	Interim	Zone	BCS	USOC	RATES				OSS RATES										
							Rec	First	Add'l	First	Add'l	Svc Order Submitted Elec per LSR	Svc Order Submitted Manually per LSR	Incremental Charge - Manual Svc Order vs. Electronic-1st	Incremental Charge - Manual Svc Order vs. Electronic-Add'l	Incremental Charge - Manual Svc Order vs. Electronic-Disc 1st	Incremental Charge - Manual Svc Order vs. Electronic-Disc Add'l				
																		Nonrecurring		Nonrecurring	
																		Disconnect		Disconnect	
SOME C	SOMAN	SOMAN	SOMAN	SOMAN	SOMAN																
		4-WIRE DS1 DIGITAL LOOP WITH 4-WIRE DDITS TRUNK PORT																			
		UNE Port/Loop Combination Rates																			
		4W DS1 Digital Loop/4W DDITS Trunk Port - UNE Zone 1		1	UEPDC		\$155.79														
		4W DS1 Digital Loop/4W DDITS Trunk Port - UNE Zone 2		2	UEPDC		\$182.99					\$19.99									
		4W DS1 Digital Loop/4W DDITS Trunk Port - UNE Zone 3		3	UEPDC		\$258.01					\$19.99									
		UNE Loop Rates																			
		4-Wire DS1 Digital Loop - UNE Zone 1		1	UEPDC	USLDC	\$92.48	\$505.12	\$315.18	\$82.85	\$21.69	\$19.99									
		4-Wire DS1 Digital Loop - UNE Zone 2		2	UEPDC	USLDC	\$119.68	\$505.12	\$315.18	\$82.85	\$21.69	\$19.99									
		4-Wire DS1 Digital Loop - UNE Zone 3		3	UEPDC	USLDC	\$194.70	\$505.12	\$315.18	\$127.85	\$33.06	\$19.99									
		UNE Port Rate																			
		4-Wire DDITS Digital Trunk Port			UEPDC	UDD1T	\$63.31	\$413.93	\$191.44	\$137.29	\$4.65	\$19.99									
		NONRECURRING CHARGES - CURRENTLY COMBINED																			
		4-Wire DS1 Digital Loop / 4-Wire DDITS Trunk Port Combination - Switch-as-is			UEPDC	USAC4		\$268.82	\$134.07			\$19.99									
		4-Wire DS1 Digital Loop / 4-Wire DDITS Trunk Port Combination - Conversion with DS1 Changes			UEPDC	USAWA		\$268.82	\$134.07			\$19.99									
		4-Wire DS1 Digital Loop / 4-Wire DDITS Trunk Port Combination - Conversion with Change - Trunk			UEPDC	USAWB		\$268.82	\$134.07			\$19.99									
		ADDITIONAL NRCs																			
		4-Wire DS1 Loop / 4-Wire DDITS Trunk Port - NRC - Subsequent Channel Activation/Chan - 2-Way Trunk			UEPDC	UDTTA		\$28.96	\$28.96			\$19.99									
		4-Wire DS1 Loop / 4-Wire DDITS Trunk Port - Subsequent Channel Activation/Chan - 1-Way Outward Trunk			UEPDC	UDTTB		\$28.96	\$28.96			\$19.99									
		4-Wire DS1 Loop / 4-Wire DDITS Trunk Port - Subsqt Channel Activation/Chan - Inward Trunk w/out DID			UEPDC	UDTTC		\$28.96	\$28.96			\$19.99									
		4-Wire DS1 Loop / 4-Wire DDITS Trunk Port - Subsqt Chan Activation Per Chan - Inward Trunk with DID			UEPDC	UDTTD		\$28.96	\$28.96			\$19.99									
		4-Wire DS1 Loop / 4-Wire DDITS Trunk Port - Subsqt Chan Activation / Chan - 2-Way DID w User Trans			UEPDC	UDTTE		\$28.96	\$28.96			\$19.99									
		BIPOLAR 8 ZERO SUBSTITUTION																			
		B8ZS - Superframe Format			UEPDC	CCOSF		\$0.0	\$655.00			\$19.99									
		B8ZS - Extended Superframe Format			UEPDC	CCOEF		\$0.0	\$655.00			\$19.99									
		Alternate Mark Inversion																			
		AMI - Superframe Format			UEPDC	MCOSF		\$0.00	\$0.00												
		AMI - Extended SuperFrame Format			UEPDC	MCOPO		\$0.00	\$0.00												
		Telephone Number/Trunk Group Establishment Charges																			
		Telephone Number for 2-Way Trunk Group			UEPDC	UDTGX	\$0.00														
		Telephone Number for 1-Way Outward Trunk Group			UEPDC	UDTGY	\$0.00					\$19.99									
		Telephone Number for 1-Way Inward Trunk Group Without DID			UEPDC	UDTGZ	\$0.00					\$19.99									
		DID Numbers, Establish Trunk Group and Provide First Group of 20 DID Numbers			UEPDC	NDZ	\$0.00	\$0.00	\$0.00			\$19.99									
		DID Numbers for each Group of 20 DID Numbers			UEPDC	ND4	\$0.00					\$19.99									
		DID Numbers, Non- consecutive DID Numbers , Per Number			UEPDC	ND5	\$0.00					\$19.99									
		Reserve Non-Consecutive DID Nos.			UEPDC	ND6	\$0.00	\$0.00	\$0.00			\$19.99									
		Reserve DID Numbers			UEPDC	NDV	\$0.00	\$0.00	\$0.00			\$19.99									
		Dedicated DS1 (Interoffice Channel Mileage) - FX/FCO for 4-Wire DS1 Digital Loop with 4-Wire DDITS Trunk Port																			
		Interoffice Channel Mileage - Fixed rate 0-8 miles (Facilities Termination)			UEPDC	1LNO1	\$99.79	\$45.91	\$44.18	\$30.30	\$26.76	\$19.99									

BELLSOUTH / METROMEDIA FIBER NETWORK SERVICES RATES
Unbundled Network Elements
FLORIDA

CATEGORY	NOTES	UNBUNDLED NETWORK ELEMENT	Interim	Zone	BCS	USOC	RATES					OSS RATES						
							Rec	First	Add'l	First	Add'l	Svc Order Submitted Elec per LSR	Svc Order Submitted Manually per LSR	Incremental Charge - Manual Svc Order vs. Electronic-1st	Incremental Charge - Manual Svc Order vs. Electronic-Add'l	Incremental Charge - Manual Svc Order vs. Electronic-Disc 1st	Incremental Charge - Manual Svc Order vs. Electronic-Disc Add'l	
							Nonrecurring			Nonrecurring								
								Disconnect										
											SOME C	SOMAN	SOMAN	SOMAN	SOMAN			
		Interoffice Channel Mileage - Additional rate per mile - 0-8 miles			UEPDC	1LNOA	\$0.6013	\$0.00	\$0.00				\$19.99					
		Interoffice Channel Mileage - Fixed rate 9-25 miles (Facilities Termination)			UEPDC	1LNO2	\$0.00	\$0.0	\$0.0									
		Interoffice Channel Mileage - Additional rate per mile - 9-25 miles			UEPDC	1LNOB	\$0.6013	\$0.00	\$0.00									
		Interoffice Channel Mileage - Fixed rate 25+ miles (Facilities Termination)			UEPDC	1LNO3	\$0.00	\$0.00	\$0.00	\$0.00								
		Interoffice Channel Mileage - Additional rate per mile - 25+ miles			UEPDC	1LNOC	\$0.6013	\$0.00	\$0.00									
		Local Number Portability, per DS0 Activated			UEPDC	LNPCP	\$3.15	\$0.00	\$0.00	\$0.00								
		Central Office Terminating Point			UEPDC	CTG	\$0.00											
		4-WIRE DS1 LOOP WITH CHANNELIZATION WITH PORT																
		System is 1 DS1 Loop, 1 D4 Channel Bank, and up to 24 Feature Activations																
		Each System can have up to 24 combinations of rates depending on type and number of ports used																
		UNE DS1 Loop																
		4-Wire DS1 Loop - UNE Zone 1			UEPMG	USLDC	\$92.48	\$0.00	\$0.00				\$19.99					
		4-Wire DS1 Loop - UNE Zone 2			UEPMG	USLDC	\$119.68	\$0.00	\$0.00				\$19.99					
		4-Wire DS1 Loop - UNE Zone 3			UEPMG	USLDC	\$194.70	\$0.00	\$0.00				\$19.99					
		UNE DSO Channelization Capacities (D4 Channel Bank Configurations)																
		24 DSO Channel Capacity - 1 per DS1			UEPMG	VUM24	\$123.64	\$0.00	\$0.00				\$19.99					
		48 DSO Channel Capacity - 1 per 2 DS1s			UEPMG	VUM48	\$247.28	\$0.00	\$0.00				\$19.99					
		96 DSO Channel Capacity - 1per 4 DS1s			UEPMG	VUM96	\$494.56	\$0.00	\$0.00				\$19.99					
		144 DSO Channel Capacity - 1 per 6 DS1s			UEPMG	VUM14	\$741.84	\$0.00	\$0.00				\$19.99					
		192 DSO Channel Capacity - 1 per 8 DS1s			UEPMG	VUM19	\$989.12	\$0.00	\$0.00				\$19.99					
		240 DSO Channel Capacity - 1 per 10 DS1s			UEPMG	VUM20	\$1,236.40	\$0.00	\$0.00				\$19.99					
		288 DSO Channel Capacity - 1 per 12 DS1s			UEPMG	VUM28	\$1,483.68	\$0.00	\$0.00				\$19.99					
		384 DSO Channel Capacity - 1 per 16 DS1s			UEPMG	VUM38	\$1,978.24	\$0.00	\$0.00				\$19.99					
		480 DSO Channel Capacity - 1 per 20 DS1s			UEPMG	VUM40	\$2,472.80	\$0.00	\$0.00				\$19.99					
		576 DSO Channel Capacity - 1 per 24 DS1s			UEPMG	VUM57	\$2,967.36	\$0.00	\$0.00				\$19.99					
		672 DSO Channel Capacity - 1 per 28 DS1s			UEPMG	VUM67	\$3,461.92	\$0.00	\$0.00				\$19.99					
		Non-Recurring Charges (NRC) Associated with 4-Wire DS1 Loop with Channelization with Port - Conversion Charge Based on a System																
		A Minimum System configuration is One (1) DS1, One (1) D4 Channel Bank, and Up To 24 DSO Ports with Feature Activations.																
		Multiples of this configuration functioning as one are considered Add'l after the minimum system configuration is counted.																
		NRC - Conversion (Currently Combined) with or without BellSouth Allowed Changes			UEPMG	USAC4	\$0.00	\$310.80	\$16.72				\$19.99					
		System Additions at End User Locations Where 4-Wire DS1 Loop with Channelization with Port Combination Currently Exists and																
		New (Not Currently Combined) In Georgia Only																
		NRC - 1 DS1/D4 Channel Bank - Add NRC for each Port and Assoc Feature Activation - New GA Only			UEPMG	VUMD4	\$0.00	\$726.11	\$468.21	\$145.32	\$17.24		\$19.99					
		Bipolar 8 Zero Substitution																
		Clear Channel Capability Format, superframe - Subsequent Activity Only			UEPMG	CCOSF	\$0.00	\$0.00	\$655.00				\$19.99					
		Clear Channel Capability Format - Extended Superframe - Subsequent Activity Only			UEPMG	CCOEF	\$0.00	\$0.00	\$655.00				\$19.99					
		Alternate Mark Inversion (AMI)																
		Superframe Format			UEPMG	MCOSF	\$0.00	\$0.00	\$0.00									

BELLSOUTH / METROMEDIA FIBER NETWORK SERVICES RATES
Unbundled Network Elements
FLORIDA

CATEGORY	NOTES	UNBUNDLED NETWORK ELEMENT	Interim	Zone	BCS	USOC	RATES					OSS RATES					
							Rec	First	Add'l	First	Add'l	Svc Order Submitted Elec per LSR	Svc Order Submitted Manually per LSR	Incremental Charge - Manual Svc Order vs. Electronic-1st	Incremental Charge - Manual Svc Order vs. Electronic-Add'l	Incremental Charge - Manual Svc Order vs. Electronic-Disc 1st	Incremental Charge - Manual Svc Order vs. Electronic-Disc Add'l
								Nonrecurring		Nonrecurring		Disconnect					
											SOMEC	SOMAN	SOMAN	SOMAN	SOMAN	SOMAN	
		Extended Superframe Format			UEPMG	MCOPO	\$0.00	\$0.00	\$0.00								
		Exchange Ports Associated with 4-Wire DS1 Loop with Channelization with Port															
		Exchange Ports															
		Line Side Combination Channelized PBX Trunk Port - Business			UEPPX	UEPCX	\$1.62	\$0.00	\$0.00	\$0.00	\$0.00		\$19.99				
		Line Side Outward Channelized PBX Trunk Port - Business			UEPPX	UEPOX	\$1.62	\$0.00	\$0.00	\$0.00	\$0.00		\$19.99				
		Line Side Inward Only Channelized PBX Trunk Port without DID			UEPPX	UEP1X	\$1.62	\$0.00	\$0.00	\$0.00	\$0.00		\$19.99				
		2-Wire Trunk Side Unbundled Channelized DID Trunk Port			UEPPX	UEPDM	\$9.38	\$0.00	\$0.00	\$0.00	\$0.00		\$19.99				
		Feature Activations - Unbundled Loop Concentration															
		Feature (Service) Activation for each Line Side Port Terminated in D4 Bank			UEPPX	1PQWM	\$0.67	\$25.40	\$13.41	\$3.96	\$3.93		\$19.99				
		Feature (Service) Activation for each Trunk Side Port Terminated in D4 Bank			UEPPX	1PQWU	\$0.67	\$78.16	\$18.42	\$56.03	\$10.95		\$19.99				
		Telephone Number/ Group Establishment Charges for DID Service															
		DID Trunk Termination (1 per Port)			UEPPX	NDT	\$0.00										
		Estab Trk Grp and Provide 1st 20 DID Nos. (FL,GA, NC, & SC)			UEPPX	NDZ	\$0.00	\$0.00	\$0.00				\$19.99				
		DID Numbers - groups of 20 - Valid all States			UEPPX	ND4	\$0.00	\$0.00	\$0.00				\$19.99				
		Non-Consecutive DID Numbers - per number			UEPPX	ND5	\$0.00	\$0.00	\$0.00				\$19.99				
		Reserve Non-Consecutive DID Numbers			UEPPX	ND6	\$0.00	\$0.00	\$0.00								
		Reserve DID Numbers			UEPPX	NDV	\$0.00	\$0.00	\$0.00								
		Local Number Portability															
		Local Number Portability - 1 per port			UEPPX	LNPCP	\$3.15	\$0.00	\$0.00								
		FEATURES - Vertical and Optional															
		Local Switching Features Offered with Line Side Ports Only															
		All Features Available			UEPPX	UEPVF	\$3.40	\$0.00	\$0.00				\$19.99				

BELLSOUTH / METROMEDIA FIBER NETWORK SERVICES RATES
Unbundled Network Elements
GEORGIA

CATEGORY	NOTES	UNBUNDLED NETWORK ELEMENT	Interim	Zone	BCS	USOC	RATES				OSS RATES													
							Rec	First	Add'l	First	Add'l	SOMECH	SOMAN	SOMAN	SOMAN	SOMAN	SOMAN	SOMAN						
																			Nonrecurring	Nonrecurring	Incremental Charge - Manual Svc Order vs. Electronic-1st	Incremental Charge - Manual Svc Order vs. Electronic-Add'l	Incremental Charge - Manual Svc Order vs. Electronic-Disc 1st	Incremental Charge - Manual Svc Order vs. Electronic-Disc Add'l
																				Disconnect				
Geographically Deaveraged UNE Zones and applicable rates have been established for certain services, as shown in this Agreement. Where Geographically Deaveraged UNE Zones and applicable rates are established, Statewide rates are obsolete. Further, BellSouth is in the process of enhancing its billing systems in order to accommodate this Geographically Deaveraged UNE Zone Rate Structure. Until these enhancements are accomplished, estimated to be mid 2001, the UNE Zone 1 rate will be billed for all services residing in Zones 1, 2, 3 or 4, i.e., Rates for services residing in UNE Zones 2, 3 and UNE Zone 4, where applicable, will not be billed. Once billing enhancements are complete, all applicable UNE Zone rates reflected in this Agreement will be billed. Reference Internet Website http://www.interconnection.bellsouth.com/become_clec/docs/interconnection/deavuzns.pdf to view Geographically Deaveraged UNE Zone Designations by Central Office.																								
UNBUNDLED LOCAL EXCHANGE SWITCHING(PORTS)																								
		Exchange Ports																						
		NOTE: Although the Port Rate includes all available features in GA & TN, the desired features will need to be ordered using retail USOCs																						
		2-WIRE VOICE GRADE LINE PORT RATES (RES)																						
		Exchange Ports - 2-Wire Analog Line Port- Res.			UEPSR	UEPRL	\$1.85	\$17.16	\$17.16				\$3.50		\$18.94	\$8.42								
		Exchange Ports - 2-Wire Analog Line Port with Caller ID - Res.			UEPSR	UEPRC	\$1.85	\$17.16	\$17.16				\$3.50		\$18.94	\$8.42								
		Exchange Ports - 2-Wire Analog Line Port outgoing only - Res.			UEPSR	UEPRO	\$1.85	\$17.16	\$17.16				\$3.50		\$18.94	\$8.42								
		Exchange Ports - 2-Wire VG unbundled res, low usage line port with Caller ID (LUM)			UEPSR	UEPAP	\$1.85		\$17.16				\$3.50		\$18.94	\$8.42								
		Subsequent Activity			UEPSR	USASC	\$0.0	\$0.0	\$0.0				\$3.50	\$19.99										
		FEATURES																						
		All Available Vertical Features			UEPSR	UEPVF	\$0.0	\$0.0	\$0.0				\$3.5		\$18.94	\$8.42								
		2-WIRE VOICE GRADE LINE PORT RATES (BUS)																						
		Exchange Ports - 2-Wire Analog Line Port without Caller ID - Bus			UEPSB	UEPBL	\$1.85	\$17.16	\$17.16				\$3.50		\$18.94	\$8.42								
		Exchange Ports - 2-Wire VG unbundled Line Port with unbundled port with Caller+E484 ID - Bus.			UEPSB	UEPBC	\$1.85	\$17.16	\$17.16				\$3.50		\$18.94	\$8.42								
		Exchange Ports - 2-Wire Analog Line Port outgoing only - Bus.			UEPSB	UEPBO	\$1.85	\$17.16	\$17.16				\$3.50		\$18.94	\$8.42								
		Exchange Ports - 2-Wire VG unbundled incoming only port with Caller ID - Bus			UEPSB	UEPB1	\$1.85	\$17.16	\$17.16				\$3.50		\$18.94	\$8.42								
		Subsequent Activity			UEPSB	USASC	\$0.0	\$0.0	\$0.0				\$3.50	\$19.99										
		FEATURES																						
		All Available Vertical Features			UEPSB	UEPVF	\$0.0	\$0.0	\$0.0				\$3.50		\$18.94	\$8.42								
		EXCHANGE PORT RATES (DID & PBX)																						
		Exchange Ports - 2-Wire DID Port			UEPEX	UEPP2	\$11.35	\$61.91	\$61.91				\$3.50	\$19.99										
		Exchange Ports - DDITS Port - 4-Wire DS1 Port with DID capability			UEPDD	UEPDD	\$120.80	\$108.38	\$60.88				\$19.99											
		Exchange Ports - 2-Wire ISDN Port (See Notes below.)			UEPTX	UEPSX	\$13.47	\$47.37	\$47.37				\$3.50		\$39.98	\$39.98								
		All Features Offered			UEPTX	UEPSX	\$0.0	\$0.0	\$0.0															

BELLSOUTH / METROMEDIA FIBER NETWORK SERVICES RATES
Unbundled Network Elements
GEORGIA

CATEGORY	NOTES	UNBUNDLED NETWORK ELEMENT	Interim	Zone	BCS	USOC	RATES				OSS RATES										
							Rec	First	Add'l	First	Add'l	Svc Order Submitted Elec per LSR	Svc Order Submitted Manually per LSR	Incremental Charge - Manual Svc Order vs. Electronic-1st	Incremental Charge - Manual Svc Order vs. Electronic-Add'l	Incremental Charge - Manual Svc Order vs. Electronic-Disc 1st	Incremental Charge - Manual Svc Order vs. Electronic-Disc Add'l				
																		Nonrecurring		Nonrecurring	
																		Disconnect		Disconnect	
SOME C	SOMAN	SOMAN	SOMAN	SOMAN	SOMAN																
	NOTE: Transmission/usage charges associated with POTS circuit switched usage will also apply to circuit switched voice and/or circuit switched data transmission by B-Channels associated with 2-wire ISDN ports.																				
	NOTE: Access to B Channel or D Channel Packet capabilities will be available only through BFR/New Business Request Process. Rates for the packet capabilities will be determined via the Bona Fide Request/New Business Request Process.																				
		Exchange Ports - 2-Wire ISDN Port -- Channel Profiles			UEPTX UEPSX	U1UMA	\$0.0	\$0.0	\$0.0												
		Exchange Ports - 4-Wire ISDN DS1 Port			UEPEX	UEPEX	\$163.16	\$186.80	\$186.80		\$3.50		\$37.88	\$37.88							
		2-Wire VG Unbundled 2-Way PBX Trunk - Res			UEPSE	UEPRD	\$1.85	\$17.16	\$17.16		\$3.50		\$18.94	\$8.42							
		2-Wire VG Line Side Unbundled 2-Way PBX Trunk - Bus			UEPSP	UEPPC	\$1.85	\$17.16	\$17.16		\$3.50		\$18.94	\$8.42							
		2-Wire VG Line Side Unbundled Outward PBX Trunk - Bus			UEPSP	UEPPO	\$1.85	\$17.16	\$17.16		\$3.50		\$18.94	\$8.42							
		2-Wire VG Line Side Unbundled Incoming PBX Trunk - Bus			UEPSP	UEPP1	\$1.85	\$17.16	\$17.16		\$3.50		\$18.94	\$8.42							
		2-Wire Analog Long Distance Terminal PBX Trunk - Bus			UEPSP	UEPLD	\$1.85	\$17.16	\$17.16		\$3.50		\$18.94	\$8.42							
		2-Wire Analog TN 2-Way Calling Plan PBX Trunk - Bus			UEPSP	UEPT2	\$1.85	\$17.16	\$17.16		\$3.50		\$18.94	\$8.42							
		2-Wire TN Outward Calling Plan PBX Trunk - Bus			UEPSP	UEPTO	\$1.85	\$17.16	\$17.16		\$3.50		\$18.94	\$8.42							
		2-Wire Voice Unbundled PBX LD Terminal Ports			UEPSP	UEPLD	\$1.85	\$17.16	\$17.16		\$3.50		\$18.94	\$8.42							
		2-Wire Vice Unbundled 2-Way PBX Usage Port			UEPSP	UEPXA	\$1.85	\$17.16	\$17.16		\$3.50		\$18.94	\$8.42							
		2-Wire Voice Unbundled PBX Toll Terminal Hotel Ports			UEPSP	UEPXB	\$1.85	\$17.16	\$17.16		\$3.50		\$18.94	\$8.42							
		2-Wire Voice Unbundled PBX LD DDD Terminals Port			UEPSP	UEPXC	\$1.85	\$17.16	\$17.16		\$3.50		\$18.94	\$8.42							
		2-Wire Voice Unbundled PBX LD Terminal Switchboard Port			UEPSP	UEPXD	\$1.85	\$17.16	\$17.16		\$3.50		\$18.94	\$8.42							
		2-Wire Voice Unbundled PBX LD Terminal Switchboard IDD Capable Port			UEPSP	UEPXE	\$1.85	\$17.16	\$17.16		\$3.50		\$18.94	\$8.42							

BELLSOUTH / METROMEDIA FIBER NETWORK SERVICES RATES
Unbundled Network Elements
GEORGIA

CATEGORY	NOTES	UNBUNDLED NETWORK ELEMENT	Interim	Zone	BCS	USOC	RATES				OSS RATES										
							Rec	First	Add'l	First	Add'l	Svc Order Submitted Elec per LSR	Svc Order Submitted Manually per LSR	Incremental Charge - Manual Svc Order vs. Electronic-1st	Incremental Charge - Manual Svc Order vs. Electronic-Add'l	Incremental Charge - Manual Svc Order vs. Electronic-Disc 1st	Incremental Charge - Manual Svc Order vs. Electronic-Disc Add'l				
																		Nonrecurring		Nonrecurring	
																		Disconnect			
SOME C	SOMAN	SOMAN	SOMAN	SOMAN	SOMAN	SOMAN															
		2-Wire Voice Unbundled 2-Way PBX Hotel/Hospital Economy Administrative Calling Port			UEPSP	UEPXL	\$1.85	\$17.16	\$17.16			\$3.50		\$18.94	\$8.42						
		2-Wire Voice Unbundled 2-Way PBX Hotel/Hospital Economy Room Calling Port			UEPSP	UEPXM	\$1.85	\$17.16	\$17.16			\$3.50		\$18.94	\$8.42						
		2-Wire Voice Unbundled 1-Way Outgoing PBX Hotel/Hospital Discount Room Calling Port			UEPSP	UEPXO	\$1.85	\$17.16	\$17.16			\$3.50		\$18.94	\$8.42						
		2-Wire Voice Unbundled 1-Way Outgoing PBX Measured Port			UEPSP	UEPXS	\$1.85	\$17.16	\$17.16			\$3.50		\$18.94	\$8.42						
		Subsequent Activity			UEPSP	USASC	\$0.0	\$0.0	\$0.0			\$3.50	\$19.99								
	FEATURES																				
		All Available Vertical Features			UEPSP	UEPSE	UEPVF	\$0.0	\$0.0	\$0.0			\$3.5	\$18.94	\$8.42						
		EXCHANGE PORT RATES (COIN)																			
		Exchange Ports - Coin Port					\$2.05	\$17.16	\$17.16			\$3.50		\$18.94	\$8.42						
		NOTE: Transmission/usage charges associated with POTS circuit switched usage will also apply to circuit switched voice and/or circuit switched data transmission by B-Channels associated with 2-wire ISDN ports.																			
		NOTE: Access to B Channel or D Channel Packet capabilities will be available only through BFR/New Business Request Process. Rates for the packet capabilities will be determined via the Bona Fide Request/New Business Request Process.																			
		UNBUNDLED LOCAL SWITCHING, PORT USAGE																			
		End Office Switching (Port Usage)																			
		End Office Switching Function, Per MOU					\$0.0016333														
		End Office Trunk Port - Shared, Per MOU					\$0.001564														
		Tandem Switching (Port Usage) (Local or Access Tandem)																			
		Tandem Switching Function Per MOU					\$0.0006757					\$3.50									
		Tandem Trunk Port - Shared, Per MOU					\$0.0002126					\$3.50									
		Common Transport																			
		Common Transport - Per Mile, Per MOU					\$0.000008														
		Common Transport - Facilities Termination Per MOU					\$0.0004152														
		UNBUNDLED PORT/LOOP COMBINATIONS																			
		UNBUNDLED PORT/LOOP COMBINATIONS - COST BASED RATES																			
		Cost Based Rates are applied where BellSouth is required by FCC and/or State Commission rule to provide Unbundled Local Switching or Switch Ports.																			

BELLSOUTH / METROMEDIA FIBER NETWORK SERVICES RATES
Unbundled Network Elements
GEORGIA

CATEGORY	NOTES	UNBUNDLED NETWORK ELEMENT	Interim	Zone	BCS	USOC	RATES				OSS RATES													
							Rec	First	Add'l	First	Add'l	SOME C	SOMAN	SOMAN	SOMAN	SOMAN	SOMAN	SOMAN						
																			Nonrecurring	Nonrecurring	Incremental Charge - Manual Svc Order vs. Electronic-1st	Incremental Charge - Manual Svc Order vs. Electronic-Add'l	Incremental Charge - Manual Svc Order vs. Electronic-Disc 1st	Incremental Charge - Manual Svc Order vs. Electronic-Disc Add'l
																				Disconnect				
Features shall apply to the Unbundled Port/Loop Combination - Cost Based Rate section in the same manner as they are applied to the Stand-Alone Unbundled Port section of this Rate Exhibit.																								
End Office and Tandem Switching Usage and Common Transport Usage rates in the Port section of this rate exhibit shall apply to all combinations of loop/port network elements except for UNE Coin Port/Loop Combinations.																								
For Georgia, the recurring UNE Port and Loop charges listed apply to Currently Combined and Not Currently Combined Combos and the first and additional Port nonrecurring charges apply to Not Currently Combined Combos. For Currently Combined Combos in GA and all other states, the nonrecurring charges shall be those identified in the Nonrecurring - Currently Combined sections.																								
2-WIRE VOICE GRADE LOOP WITH 2-WIRE LINE PORT (RES)																								
UNE Port/Loop Combination Rates																								
		2-Wire VG Loop/Port Combo - Zone 1		1																				
		2-Wire VG Loop/Port Combo - Zone 2		2																				
		2-Wire VG Loop/Port Combo - Zone 3		3																				
UNE Loop Rates																								
		2-Wire Voice Grade Loop (SL1) - Zone 1		1	UEPRX	UEPLX																		
		2-Wire Voice Grade Loop (SL1) - Zone 2		2	UEPRX	UEPLX																		
		2-Wire Voice Grade Loop (SL1) - Zone 3		3	UEPRX	UEPLX																		
2-Wire Voice Grade Line Port Rates (Res)																								
		2-Wire voice unbundled port - residence			UEPRX	UEPRL																		
		2-Wire voice unbundled port with Caller ID - res			UEPRX	UEPRC																		
		2-Wire voice unbundled port outgoing only - res			UEPRX	UEPRO																		
		2-Wire voice unbundles res, low usage line port with Caller ID (LUM)			UEPRX	UEPAP																		
FEATURES																								
		All Features Offered			UEPRX	UEPVF																		
LOCAL NUMBER PORTABILITY																								
		Local Number Portability (1 per port)			UEPRX	LNPCX																		
NONRECURRING CHARGES (NRCs) - CURRENTLY COMBINED																								
		2-Wire Voice Grade Loop / Line Port Combination - Conversion - Switch-as-is			UEPRX	USAC2																		
		2-Wire Voice Grade Loop / Line Port Combination - Conversion - Switch with change			UEPRX	USACC																		
ADDITIONAL NRCs																								
		2-Wire Voice Grade Loop/Line Port Combination - Subsequent Activity			UEPRX	USAS2																		
2-WIRE VOICE GRADE LOOP WITH 2-WIRE LINE PORT (BUS)																								
UNE Port/Loop Combination Rates																								
		2-Wire VG Loop/Port Combo - Zone 1		1																				
		2-Wire VG Loop/Port Combo - Zone 2		2																				
		2-Wire VG Loop/Port Combo - Zone 3		3																				
UNE Loop Rates																								
		2-Wire Voice Grade Loop (SL1) - Zone 1		1	UEPBX	UEPLX																		
		2-Wire Voice Grade Loop (SL1) - Zone 2		2	UEPBX	UEPLX																		

BELLSOUTH / METROMEDIA FIBER NETWORK SERVICES RATES
Unbundled Network Elements
GEORGIA

CATEGORY	NOTES	UNBUNDLED NETWORK ELEMENT	Interim	Zone	BCS	USOC	RATES				OSS RATES																
							Rec	First	Add'l	First	Add'l	SOME C	SOMAN	SOMAN	SOMAN	SOMAN	SOMAN	SOMAN									
																			Nonrecurring	Nonrecurring	Disconnect	Svc Order Submitted Elec per LSR	Svc Order Submitted Manually per LSR	Incremental Charge - Manual Svc Order vs. Electronic-1st	Incremental Charge - Manual Svc Order vs. Electronic-Add'l	Incremental Charge - Manual Svc Order vs. Electronic-Disc 1st	Incremental Charge - Manual Svc Order vs. Electronic-Disc Add'l
		2-Wire Voice Grade Loop (SL1) - Zone 3		3	UEPBX	UEPLX	\$19.83																				
		2-Wire Voice Grade Line Port (Bus)																									
		2-Wire voice unbundled port without Caller ID - bus			UEPBX	UEPBL	\$1.79	\$22.14	\$15.25	\$8.45	\$3.91	\$3.50		\$33.67	\$7.88												
		2-Wire voice unbundled port with Caller + E484 ID - bus			UEPBX	UEPBC	\$1.79	\$22.14	\$15.25	\$8.45	\$3.91	\$3.50		\$33.67	\$7.88	\$11.17	\$3.91										
		2-Wire voice unbundled port outgoing only - bus			UEPBX	UEPBO	\$1.79	\$22.14	\$15.25	\$8.45	\$3.91	\$3.50		\$33.67	\$7.88												
		2-Wire voice unbundled incoming only port with Caller ID - Bus			UEPBX	UPEB1	\$1.79	\$22.14	\$15.25	\$8.45	\$3.91	\$3.50		\$33.67	\$7.88												
		LOCAL NUMBER PORTABILITY																									
		Local Number Portability (1 per port)			UEPBX	LNPCX	\$0.35																				
		FEATURES																									
		All Features Offered			UEPBX	UEPVF	\$0.00	\$0.0	\$0.0		\$3.5		\$33.67	\$7.88													
		NONRECURRING CHARGES (NRCs) - CURRENTLY COMBINED																									
		2-Wire Voice Grade Loop / Line Port Combination - Conversion - Switch-as-is			UEPBX	USAC2		\$2.01	\$0.3108		\$3.50		\$33.67	\$7.88													
		2-Wire Voice Grade Loop / Line Port Combination - Conversion - Switch with change			UEPBX	USACC		\$2.01	\$0.3108		\$3.50		\$33.67	\$7.86													
		ADDITIONAL NRCs																									
		2-Wire Voice Grade Loop/Line Port Combination - Subsequent Activity			UEPBX	USAS2					\$3.50		\$33.67	\$7.88													
		2-WIRE VOICE GRADE LOOP WITH 2-WIRE LINE PORT (RES - PBX)																									
		UNE Port/Loop Combination Rates																									
		2-Wire VG Loop/Port Combo - Zone 1		1			\$12.59																				
		2-Wire VG Loop/Port Combo - Zone 2		2			\$14.26																				
		2-Wire VG Loop/Port Combo - Zone 3		3			\$21.62																				
		UNE Loop Rates																									
		2-Wire Voice Grade Loop (SL 1) - Zone 1		1	UEPRG	UEPLX	\$10.80																				
		2-Wire Voice Grade Loop (SL 1) - Zone 2		2	UEPRG	UEPLX	\$12.47																				
		2-Wire Voice Grade Loop (SL 1) - Zone 3		3	UEPRG	UEPLX	\$19.83																				
		2-Wire Voice Grade Line Port Rates (RES - PBX)																									
		2-Wire VG Unbundled Combination 2-Way PBX Trunk Port - Res			UEPRG	UEPRD	\$1.79	\$22.14	\$15.25	\$8.45	\$3.91	\$3.50		\$33.67	\$7.88												
		LOCAL NUMBER PORTABILITY																									
		Local Number Portability (1 per port)			UEPRG	LNPCP	\$3.5																				
		FEATURES																									
		All Features Offered			UEPRG	UEPVF	\$0.00	\$0.0	\$0.0		\$3.5		\$33.67	\$7.88													
		NONRECURRING CHARGES (NRCs) - CURRENTLY COMBINED																									
		2-Wire Voice Grade Loop/ Line Port Combination (PBX) - Conversion - Switch-As-Is			UEPRG	USAC2		\$2.01	\$0.3108		\$3.50		\$33.67	\$7.88													
		2-Wire Voice Grade Loop/ Line Port Combination (PBX) - Conversion - Switch with Change			UEPRG	USACC		\$2.01	\$0.3108		\$3.50		\$33.67	\$7.88													
		ADDITIONAL NRCs																									
		2-Wire Voice Grade Loop/ Line Port Combination (PBX) - Subsequent Activity			UEPRG	USAS2	\$0.0	\$0.0	\$0.0		\$3.50	\$19.99															
		PBX Subsequent Activity - Change/Rearrange Multiline Hunt Group						\$14.64	\$14.64		\$3.5	\$19.99															
		2-WIRE VOICE GRADE LOOP WITH 2-WIRE LINE PORT (BUS - PBX)																									

BELLSOUTH / METROMEDIA FIBER NETWORK SERVICES RATES
Unbundled Network Elements
GEORGIA

CATEGORY	NOTES	UNBUNDLED NETWORK ELEMENT	Interim	Zone	BCS	USOC	RATES					OSS RATES										
							Rec	First	Add'l	First	Add'l	SOME C	SOMAN	SOMAN	SOMAN	SOMAN	SOMAN	SOMAN				
																			Nonrecurring		Nonrecurring	
																			Disconnect		Disconnect	
Svc Order Submitted Elec per LSR	Svc Order Submitted Manually per LSR	Incremental Charge - Manual Svc Order vs. Electronic-1st	Incremental Charge - Manual Svc Order vs. Electronic-Add'l	Incremental Charge - Manual Svc Order vs. Electronic-Disc 1st	Incremental Charge - Manual Svc Order vs. Electronic-Disc Add'l																	
UNE Port/Loop Combination Rates																						
		2-Wire VG Loop/Port Combo - Zone 1		1			\$12.59															
		2-Wire VG Loop/Port Combo - Zone 2		2			\$14.26															
		2-Wire VG Loop/Port Combo - Zone 3		3			\$21.62															
UNE Loop Rates																						
		2-Wire Voice Grade Loop (SL 1) - Zone 1		1	UEPPX	UEPLX	\$10.80															
		2-Wire Voice Grade Loop (SL 1) - Zone 2		2	UEPPX	UEPLX	\$12.47															
		2-Wire Voice Grade Loop (SL 1) - Zone 3		3	UEPPX	UEPLX	\$19.83															
2-Wire Voice Grade Line Port Rates (BUS - PBX)																						
		Line Side Unbundled Combination 2-Way PBX Trunk Port - Bus			UEPPX	UEPPC	\$1.79	\$22.14	\$15.25	\$8.45	\$3.91	\$3.50	\$33.67	\$7.88								
		Line Side Unbundled Outward PBX Trunk Port - Bus			UEPPX	UEPPO	\$1.79	\$22.14	\$15.25	\$8.45	\$3.91	\$3.50	\$33.67	\$7.88								
		Line Side Unbundled Incoming PBX Trunk Port - Bus			UEPPX	UEPP1	\$1.79	\$22.14	\$15.25	\$8.45	\$3.91	\$3.50	\$33.67	\$7.88								
		2-Wire Voice Unbundled PBX LD Terminal Ports			UEPPX	UEPLD	\$1.79	\$22.14	\$15.25	\$8.45	\$3.91	\$3.50	\$33.67	\$7.88								
		2-Wire Voice Unbundled 2-Way Combination PBX Usage Port			UEPPX	UEPXA	\$1.79	\$22.14	\$15.25	\$8.45	\$3.91	\$3.50	\$37.06	\$7.88								
		2-Wire Voice Unbundled PBX Toll Terminal Hotel Ports			UEPPX	UEPXB	\$1.79	\$22.14	\$15.25	\$8.45	\$3.91	\$3.50	\$33.67	\$7.88								
		2-Wire Voice Unbundled PBX LD DDD Terminals Port			UEPPX	UEPXC	\$1.79	\$22.14	\$15.25	\$8.45	\$3.91	\$3.50	\$33.67	\$7.88								
		2-Wire Voice Unbundled PBX LD Terminal Switchboard Port			UEPPX	UEPXD	\$1.79	\$22.14	\$15.25	\$8.45	\$3.91	\$3.50	\$33.67	\$7.88								
		2-Wire Voice Unbundled PBX LD Terminal Switchboard IDD Capable Port			UEPPX	UEPXE	\$1.79	\$22.14	\$15.25	\$8.45	\$3.91	\$3.50	\$33.67	\$7.88								
		2-Wire Voice Unbundled 2-Way PBX Hotel/Hospital Economy Administrative Calling Port			UEPPX	UEPXL	\$1.79	\$22.14	\$15.25	\$8.45	\$3.91	\$3.50	\$33.67	\$7.88								
		2-Wire Voice Unbundled 2-Way PBX Hotel/Hospital Economy Room Calling Port			UEPPX	UEPXM	\$1.79	\$22.14	\$15.25	\$8.45	\$3.91	\$3.50	\$33.67	\$7.88								
		2-Wire Voice Unbundled 1-Way Outgoing PBX Hotel/Hospital Discount Room Calling Port			UEPPX	UEPXO	\$1.79	\$22.14	\$15.25	\$8.45	\$3.91	\$3.50	\$33.67	\$7.88								
		2-Wire Voice Unbundled 1-Way Outgoing PBX Measured Port			UEPPX	UEPXS	\$1.79	\$22.14	\$15.25	\$8.45	\$3.91	\$3.50	\$33.67	\$7.88								
LOCAL NUMBER PORTABILITY																						
		Local Number Portability (1 per port)			UEPPX	LNPCP	\$3.15															
FEATURES																						
		All Features Offered			UEPPX	UEPVF	\$0.00	\$0.0	\$0.0		\$3.5		\$33.67	\$7.88								
NONRECURRING CHARGES (NRCs) - CURRENTLY COMBINED																						
		2-Wire Voice Grade Loop/ Line Port Combination (PBX) - Conversion - Switch-As-Is			UEPPX	USAC2		\$2.01	\$0.3108		\$3.50		\$33.67	\$7.88								
		2-Wire Voice Grade Loop/ Line Port Combination (PBX) - Conversion - Switch with Change			UEPPX	USACC		\$2.01	\$0.3108		\$3.50		\$33.67	\$7.88								
ADDITIONAL NRCs																						
		2-Wire Voice Grade Loop/ Line Port Combination (PBX) - Subsequent Activity			UEPPX	USAS2	\$0.0	\$0.0	\$0.0		\$3.50	\$19.99										
		PBX Subsequent Activity - Change/Rearrange Multiline Hunt Group						\$14.64	\$14.64		\$3.5	\$19.99										
2-WIRE VOICE GRADE LOOP WITH 2-WIRE ANALOG LINE COIN PORT																						
UNE Port/Loop Combination Rates																						
		2-Wire VG Coin Port/Loop Combo - Zone 1					\$12.69															
		2-Wire VG Coin Port/Loop Combo - Zone 2					\$14.36															
		2-Wire VG Coin Port/Loop Combo - Zone 3					\$21.72															
UNE Loop Rates																						
		2-Wire Voice Grade Loop (SL1) - Zone 1			UEPCO	UEPLX	\$10.80															
		2-Wire Voice Grade Loop (SL1) - Zone 2			UEPCO	UEPLX	\$12.47															

BELLSOUTH / METROMEDIA FIBER NETWORK SERVICES RATES
Unbundled Network Elements
GEORGIA

CATEGORY	NOTES	UNBUNDLED NETWORK ELEMENT	Interim	Zone	BCS	USOC	RATES				OSS RATES										
							Rec	First	Add'l	First	Add'l	Svc Order Submitted Elec per LSR	Svc Order Submitted Manually per LSR	Incremental Charge - Manual Svc Order vs. Electronic-1st	Incremental Charge - Manual Svc Order vs. Electronic-Add'l	Incremental Charge - Manual Svc Order vs. Electronic-Disc 1st	Incremental Charge - Manual Svc Order vs. Electronic-Disc Add'l				
																		Nonrecurring		Nonrecurring	
																		Disconnect			
SOME C	SOMAN	SOMAN	SOMAN	SOMAN	SOMAN																
		2-Wire Voice Grade Loop (SL1) - Zone 3			UEPCO	UEPLX	\$19.83														
		2-Wire Voice Grade Line Ports (COIN)																			
		2-Wire Coin 2-Way with Operator Screening (GA)			UEPCO	UEPGC	\$1.89	\$22.14	\$15.25	\$8.45	\$3.91	\$3.50	\$33.67	\$7.88							
		2-Wire Coin 2-Way with Operator Screening and Blocking: 011, 900/976, 1+DDD (GA)			UEPCO	UEP2G	\$1.89	\$22.14	\$15.25	\$8.45	\$3.91	\$3.50	\$33.67	\$7.88							
		2-Wire Coin 2-Way with Operator Screening and 011 Blocking (GA)			UEPCO	UEPGA	\$1.89	\$22.14	\$15.25	\$8.45	\$3.91	\$3.50	\$33.67	\$7.88							
		2-Wire Coin 2-Way with Operator Screening and 900/976 Blocking (GA)			UEPCO	UEPGB	\$1.89	\$22.14	\$15.25	\$8.45	\$3.91	\$3.50	\$33.67	\$7.88							
		2-Wire Coin 2-Way with Operator Screening and Blocking: 900/976, 1+DDD, 011+, and Local (GA)			UEPCO	UEPCH	\$1.89	\$22.14	\$15.25	\$8.45	\$3.91	\$3.50	\$33.67	\$7.88							
		2-Wire Coin Outward with Operator Screening and 011 Blocking (GA, KY, MS)			UEPCO	UEPRJ	\$1.89	\$22.14	\$15.25	\$8.45	\$3.91	\$3.50	\$33.67	\$7.88							
		2-Wire Coin Outward with Operator Screening and Blocking: 900/976, 1+DDD, 011+, and Local (FL, GA)			UEPCO	UEPCQ	\$1.89	\$22.14	\$15.25	\$8.45	\$3.91	\$3.50	\$33.67	\$7.88							
		2-Wire 2-Way Smartline with 900/976 (all states except LA)			UEPCO	UEPCK	\$1.89	\$22.14	\$15.25	\$8.45	\$3.91	\$3.5	\$33.67	\$7.88							
		2-Wire Coin Outward Smartline with 900/976 (all states except LA)			UEPCO	UEPCR	\$1.89	\$22.14	\$15.25	\$8.45	\$3.91	\$3.5	\$33.67	\$7.88							
		ADDITIONAL UNE COIN PORT/LOOP (RC)																			
		UNE Coin Port/Loop Combo Usage (Flat Rate)			UEPCO	URECU	\$3.59	\$0.00	\$0.00												
		LOCAL NUMBER PORTABILITY																			
		Local Number Portability (1 per port)			UEPCO	LNPCX	\$0.35														
		NONRECURRING CHARGES - CURRENTLY COMBINED																			
		2-Wire Voice Grade Loop / Line Port Combination - Conversion - Switch-as-is			UEPCO	USAC2		\$2.01	\$0.3108			\$3.50	\$33.67	\$7.88							
		2-Wire Voice Grade Loop / Line Port Combination - Conversion - Switch with change			UEPCO	USACC		\$2.01	\$0.31			\$3.50	\$33.67	\$7.88							
		ADDITIONAL NRCs																			
		2-Wire Voice Grade Loop/Line Port Combination - Subsequent Activity			UEPCO	USAS2		\$0.0	\$0.0			\$3.50	\$33.67	\$7.88							
		2-WIRE VOICE GRADE LOOP- BUS ONLY - WITH 2-WIRE DID TRUNK PORT																			
		UNE Port/Loop Combination Rates																			
		2-Wire VG Loop/2-Wire DID Trunk Port Combo - UNE Zone 1		1			\$28.19														
		2-Wire VG Loop/2-Wire DID Trunk Port Combo - UNE Zone 2		2			\$30.80														
		2-Wire VG Loop/2-Wire DID Trunk Port Combo - UNE Zone 3		3			\$42.27														
		UNE Loop Rates																			
		2-Wire Analog Voice Grade Loop - (SL2) - UNE Zone 1		1	UEPPX	UECD1	\$16.84	\$104.17	\$78.10			\$19.99									
		2-Wire Analog Voice Grade Loop - (SL2) - UNE Zone 2		2	UEPPX	UECD1	\$19.45	\$104.17	\$78.10			\$19.99									
		2-Wire Analog Voice Grade Loop - (SL2) - UNE Zone 3		3	UEPPX	UECD1	\$30.92	\$104.78	\$104.10			\$19.99									
		UNE Port Rate																			
		Exchange Ports - 2-Wire DID Port			UEPPX	UEPD1	\$11.35	\$61.91	\$61.91			\$19.99									
		NONRECURRING CHARGES - CURRENTLY COMBINED																			
		2-Wire Voice Grade Loop / 2-Wire DID Trunk Port Combination - Switch-as-is			UEPPX	USAC1		\$93.38	\$93.38			\$19.99									

BELLSOUTH / METROMEDIA FIBER NETWORK SERVICES RATES
Unbundled Network Elements
GEORGIA

CATEGORY	NOTES	UNBUNDLED NETWORK ELEMENT	Interim	Zone	BCS	USOC	RATES				OSS RATES											
							Rec	First	Add'l	First	Add'l	SOME C	SOMAN	SOMAN	SOMAN	SOMAN	SOMAN	SOMAN				
																			Nonrecurring		Nonrecurring	
																			Disconnect		Disconnect	
Svc Order Submitted Elec per LSR	Svc Order Submitted Manually per LSR	Incremental Charge - Manual Svc Order vs. Electronic-1st	Incremental Charge - Manual Svc Order vs. Electronic-Add'l	Incremental Charge - Manual Svc Order vs. Electronic-Disc 1st	Incremental Charge - Manual Svc Order vs. Electronic-Disc Add'l																	
		2-Wire Voice Grade Loop / 2-Wire DID Trunk Port Conversion with BellSouth Allowable Changes			UEPPX	USA1C		\$93.38	\$93.38			\$19.99										
ADDITIONAL NRCs																						
Telephone Number/Trunk Group Establishment Charges																						
		DID Trunk Termination (One Per Port)			UEPPX	NDT	\$0.00	\$0.00	\$0.00			\$19.99										
		DID Numbers, Establish Trunk Group and Provide First Group of 20 DID Numbers			UEPPX	NDZ	\$0.00	\$0.00	\$0.00			\$19.99										
		Additional DID Numbers for each Group of 20 DID Numbers			UEPPX	ND4	\$0.00	\$0.00	\$0.00			\$19.99										
		DID Numbers, Non- consecutive DID Numbers , Per Number			UEPPX	ND5	\$0.00	\$0.00	\$0.00			\$19.99										
		Reserve Non-Consecutive DID numbers			UEPPX	ND6	\$0.00	\$0.00	\$0.00			\$19.99										
		Reserve DID Numbers			UEPPX	NDV	\$0.00	\$0.00	\$0.00			\$19.99										
LOCAL NUMBER PORTABILITY																						
		Local Number Portability (1 per port)			UEPPX	LNPCP	\$3.15															
2-WIRE ISDN DIGITAL GRADE LOOP WITH 2-WIRE ISDN DIGITAL LINE SIDE PORT																						
UNE Port/Loop Combination Rates																						
		2W ISDN Digital Grade Loop/2W ISDN Digital Line Side Port - UNE Zone 1		1	UEPPB	UEPPR	\$35.36															
		2W ISDN Digital Grade Loop/2W ISDN Digital Line Side Port - UNE Zone 2		2	UEPPB	UEPPR	\$38.74															
		2W ISDN Digital Grade Loop/2W ISDN Digital Line Side Port - UNE Zone 3		3	UEPPB	UEPPR	\$53.64															
UNE Loop Rates																						
		2-Wire ISDN Digital Grade Loop - UNE Zone 1		1	UEPPB	UEPPR	USL2X	\$21.89	\$252.32	\$188.77			\$19.99									
		2-Wire ISDN Digital Grade Loop - UNE Zone 2		2	UEPPB	UEPPR	USL2X	\$25.27	\$252.32	\$188.77			\$19.99									
		2-Wire ISDN Digital Grade Loop - UNE Zone 3		3	UEPPB	UEPPR	USL2X	\$40.17	\$252.32	\$188.77			\$19.99									
UNE Port Rate																						
		Exchange Port - 2-Wire ISDN Line Side Port			UEPPB	UEPPR	UEPPB	\$13.47	\$47.37	\$47.37			\$19.99									
NONRECURRING CHARGES - CURRENTLY COMBINED																						
		2-Wire ISDN Digital Grade Loop / 2-Wire ISDN Line Side Port Combination - Conversion			UEPPB	UEPPR	USACB	\$0.0	\$93.38	\$93.38			\$19.99									
ADDITIONAL NRCs																						
		2-Wire ISDN Loop / 2-Wire ISDN Port Combination - Sub Actvy - Non Feature/Add Trunk			UEPPB	UEPPR	USASB		\$165.95				\$19.99									
LOCAL NUMBER PORTABILITY																						
		Local Number Portability (1 per port)			UEPPB	UEPPR	LNPCX	\$0.35	\$0.00	\$0.00												
B-CHANNEL USER PROFILE ACCESS:																						
		CVS/CSD (DMS/5ESS)			UEPPB	UEPPR	U1UCA	\$0.00	\$0.00	\$0.00												
		CVS (EWSD)			UEPPB	UEPPR	U1UCB	\$0.00	\$0.00	\$0.00												
		CSD			UEPPB	UEPPR	U1UCC	\$0.00	\$0.00	\$0.00												
B-CHANNEL AREA PLUS USER PROFILE ACCESS: (AL,KY,LA,MS SC,MS, & TN)																						
USER TERMINAL PROFILE																						
		User Terminal Profile (EWSD only)			UEPPB	UEPPR	U1UMA	\$0.00	\$0.00	\$0.00												
VERTICAL FEATURES																						
		All Vertical Features - One per Channel B User Profile			UEPPB	UEPPR	UEPVF	\$0.00	\$0.00	\$0.00												

BELLSOUTH / METROMEDIA FIBER NETWORK SERVICES RATES
Unbundled Network Elements
GEORGIA

CATEGORY	NOTES	UNBUNDLED NETWORK ELEMENT	Interim	Zone	BCS	USOC	RATES				OSS RATES											
							Rec	First	Add'l	First	Add'l	SOMEK	SOMAN	SOMAN	SOMAN	SOMAN	SOMAN	SOMAN				
																			Nonrecurring		Nonrecurring	
																			Disconnect		Disconnect	
Svc Order Submitted Elec per LSR	Svc Order Submitted Manually per LSR	Incremental Charge - Manual Svc Order vs. Electronic-1st	Incremental Charge - Manual Svc Order vs. Electronic-Add'l	Incremental Charge - Manual Svc Order vs. Electronic-Disc 1st	Incremental Charge - Manual Svc Order vs. Electronic-Disc Add'l																	
INTEROFFICE CHANNEL MILEAGE																						
	Interoffice Channel mileage each, including first mile and facilities termination				UEPPB UEPPR	M1GNC	\$16.47	\$79.61	\$36.08													
	Interoffice Channel mileage each, additional mile				UEPPB UEPPR	M1GNM	\$0.0222	\$0.00	\$0.00	\$0.0	\$0.0											
4-WIRE DS1 DIGITAL LOOP WITH 4-WIRE ISDN DS1 DIGITAL TRUNK PORT																						
UNE Port/Loop Combination Rates																						
	4W DS1 Digital Loop/4W ISDN DS1 Digital Trunk Port - UNE Zone 1			1	UEPPP		\$218.69															
	4W DS1 Digital Loop/4W ISDN DS1 Digital Trunk Port - UNE Zone 2			2	UEPPP		\$227.29															
	4W DS1 Digital Loop/4W ISDN DS1 Digital Trunk Port - UNE Zone 3			3	UEPPP		\$265.09															
UNE Loop Rates																						
	4-Wire DS1 Digital Loop - UNE Zone 1			1	UEPPP	USL4P	\$55.53	\$448.92	\$276.60		\$19.99											
	4-Wire DS1 Digital Loop - UNE Zone 2			2	UEPPP	USL4P	\$64.13	\$448.92	\$276.60		\$19.99											
	4-Wire DS1 Digital Loop - UNE Zone 3			3	UEPPP	USL4P	\$101.93	\$448.92	\$276.60		\$19.99											
UNE Port Rate																						
	Exchange Ports - 4-Wire ISDN DS1 Port				UEPPP	UEPPP	\$163.16	\$186.80	\$186.80		\$19.99											
NONRECURRING CHARGES - CURRENTLY COMBINED																						
	4-Wire DS1 Digital Loop / 4-Wire ISDN DS1 Digital Trunk Port Combination - Conversion -Switch-as-is				UEPPP	USACP	\$0.00	\$269.96	\$269.96		\$19.99											
ADDITIONAL NRCs																						
	4-Wire DS1 Loop/4-W ISDN Digt Trk Port - Subsq Actvy-Inward/two way tel nos within Std Allowance				UEPPP	PR7TF		\$0.9686			\$19.99											
	4-Wire DS1 Loop / 4-Wire ISDN DS1 Digital Trunk Port - Outward Tel Numbers (All States except NC)				UEPPP	PR7TO		\$22.75	\$22.75		\$19.99											
	4-Wire DS1 Loop / 4-Wire ISDN DS1 Digital Trk Port - Subsequent Inward Tel Nos Above Std Allowance				UEPPP	PR7ZT		\$45.49	\$45.49		\$19.99											
LOCAL NUMBER PORTABILITY																						
	Local Number Portability (1 per port)				UEPPP	LNPCN	\$1.75															
INTERFACE (Provisioning Only)																						
	Voice/Data				UEPPP	PR71V	\$0.00	\$0.00	\$0.00													
	Digital Data				UEPPP	PR71D	\$0.00	\$0.00	\$0.00													
	Inward Data				UEPPP	PR71E	\$0.00	\$0.00	\$0.00													
New or Additional "B" Channel																						
	New or Additional - Voice/Data B Channel				UEPPP	PR7BV	\$0.00	\$28.71			\$19.99											
	New or Additional - Digital Data B Channel				UEPPP	PR7BF	\$0.00	\$28.71			\$19.99											
	New or Additional Inward Data B Channel				UEPPP	PR7BD	\$0.00	\$28.71			\$19.99											
	New or Additional Useage Sensitive Voice Data B Channel				UEPPP	PR7BS	\$0.00	\$28.71			\$19.19											
	New or Additional Useage Sensitive Digital Data B Channel				UEPPP	PR7BU	\$0.00	\$28.71			\$19.99											
CALL TYPES																						
	Inward				UEPPP	PR7C1	\$0.00	\$0.0	\$0.00													
	Outward				UEPPP	PR7C0	\$0.00	\$0.00	\$0.00													
	Two-way				UEPPP	PR7CC	\$0.00	\$0.00	\$0.00													
Interoffice Channel Mileage																						
	Fixed Each Including First Mile				UEPPP	1LN1A	\$78.9223	\$147.07	\$111.75	\$0.00	\$19.99											
	Each Airline-Fractional Additional Mile				UEPPP	1LN1B	\$0.4523															

BELLSOUTH / METROMEDIA FIBER NETWORK SERVICES RATES
Unbundled Network Elements
GEORGIA

CATEGORY	NOTES	UNBUNDLED NETWORK ELEMENT	Interim	Zone	BCS	USOC	RATES				OSS RATES										
							Rec	First	Add'l	First	Add'l	Svc Order Submitted Elec per LSR	Svc Order Submitted Manually per LSR	Incremental Charge - Manual Svc Order vs. Electronic-1st	Incremental Charge - Manual Svc Order vs. Electronic-Add'l	Incremental Charge - Manual Svc Order vs. Electronic-Disc 1st	Incremental Charge - Manual Svc Order vs. Electronic-Disc Add'l				
																		Nonrecurring		Nonrecurring	
																		Disconnect		Disconnect	
SOMECC	SOMAN	SOMAN	SOMAN	SOMAN	SOMAN																
		4-WIRE DS1 DIGITAL LOOP WITH 4-WIRE DDITS TRUNK PORT																			
		UNE Port/Loop Combination Rates																			
		4W DS1 Digital Loop/4W DDITS Trunk Port - UNE Zone 1		1	UEPDC		\$176.33														
		4W DS1 Digital Loop/4W DDITS Trunk Port - UNE Zone 2		2	UEPDC		\$184.93					\$19.99									
		4W DS1 Digital Loop/4W DDITS Trunk Port - UNE Zone 3		3	UEPDC		\$222.73					\$19.99									
		UNE Loop Rates																			
		4-Wire DS1 Digital Loop - UNE Zone 1		1	UEPDC	USLDC	\$55.53	\$448.92	\$276.00			\$19.99									
		4-Wire DS1 Digital Loop - UNE Zone 2		2	UEPDC	USLDC	\$64.13	\$448.92	\$276.60			\$19.99									
		4-Wire DS1 Digital Loop - UNE Zone 3		3	UEPDC	USLDC	\$101.93	\$448.92	\$276.60			\$19.99									
		UNE Port Rate																			
		4-Wire DDITS Digital Trunk Port			UEPDC	UDD1T	\$120.80	\$89.44	\$52.46			\$19.99									
		NONRECURRING CHARGES - CURRENTLY COMBINED																			
		4-Wire DS1 Digital Loop / 4-Wire DDITS Trunk Port Combination - Switch-as-is			UEPDC	USAC4		\$269.96	\$269.96			\$19.99									
		4-Wire DS1 Digital Loop / 4-Wire DDITS Trunk Port Combination - Conversion with DS1 Changes			UEPDC	USAWA		\$269.96	\$269.96			\$19.99									
		4-Wire DS1 Digital Loop / 4-Wire DDITS Trunk Port Combination - Conversion with Change - Trunk			UEPDC	USAWB		\$269.96	\$269.96			\$19.99									
		ADDITIONAL NRCs																			
		4-Wire DS1 Loop / 4-Wire DDITS Trunk Port - Subsequent Service Activity Per Service Order			UEPDC	USAS4		\$147.47	\$147.47												
		4-Wire DS1 Loop / 4-Wire DDITS Trunk Port - NRC - Subsequent Channel Activation/Chan - 2-Way Trunk			UEPDC	UDTTA		\$28.71	\$28.71			\$19.99									
		4-Wire DS1 Loop / 4-Wire DDITS Trunk Port - Subsequent Channel Activation/Chan - 1-Way Outward Trunk			UEPDC	UDTTB		\$28.71	\$28.71			\$19.99									
		4-Wire DS1 Loop / 4-Wire DDITS Trunk Port - Subsqt Channel Activation/Chan Inward Trunk w/out DID			UEPDC	UDTTC		\$28.71	\$28.71			\$19.99									
		4-Wire DS1 Loop / 4-Wire DDITS Trunk Port - Subsqt Chan Activation Per Chan - Inward Trunk with DID			UEPDC	UDTTD		\$28.71	\$28.71												
		4-Wire DS1 Loop / 4-Wire DDITS Trunk Port - Subsqt Chan Activation / Chan - 2-Way DID w User Trans			UEPDC	UDTTE		\$28.71	\$28.71			\$19.99									
		BIPOLAR 8 ZERO SUBSTITUTION																			
		B8ZS - Superframe Format			UEPDC	CCOSF		\$0.0	\$600.00			\$19.99									
		B8ZS - Extended Superframe Format			UEPDC	CCOEF		\$0.0	\$600.00			\$19.99									
		Alternate Mark Inversion																			
		AMI - Superframe Format			UEPDC	MCOSF		\$0.00	\$0.00												
		AMI - Extended SuperFrame Format			UEPDC	MCOPO		\$0.00	\$0.00												
		Telephone Number/Trunk Group Establishment Charges																			

BELLSOUTH / METROMEDIA FIBER NETWORK SERVICES RATES
Unbundled Network Elements
GEORGIA

CATEGORY	NOTES	UNBUNDLED NETWORK ELEMENT	Interim	Zone	BCS	USOC	RATES				OSS RATES											
							Rec	First	Add'l	First	Add'l	SOME C	SOMAN	SOMAN	SOMAN	SOMAN	SOMAN	SOMAN				
																			Nonrecurring		Nonrecurring	
																			Disconnect		Disconnect	
Inc	Inc	Inc	Inc	Inc	Inc	Inc	Inc	Inc	Inc	Inc	Inc											
		Telephone Number for 2-Way Trunk Group			UEPDC	UDTGX	\$0.00															
		Telephone Number for 1-Way Outward Trunk Group			UEPDC	UDTGY	\$0.00					\$19.99										
		Telephone Number for 1-Way Inward Trunk Group Without DID			UEPDC	UDTGZ	\$0.00					\$19.99										
		DID Numbers, Establish Trunk Group and Provide First Group of 20 DID Numbers			UEPDC	NDZ	\$0.00	\$0.00	\$0.00			\$19.99										
		DID Numbers for each Group of 20 DID Numbers			UEPDC	ND4	\$0.00					\$19.99										
		DID Numbers, Non- consecutive DID Numbers , Per Number			UEPDC	ND5	\$0.00					\$19.99										
		Reserve Non-Consecutive DID Nos.			UEPDC	ND6	\$0.00	\$0.00	\$0.00			\$19.99										
		Reserve DID Numbers			UEPDC	NDV	\$0.00	\$0.00	\$0.00			\$19.99										
		Dedicated DS1 (Interoffice Channel Mileage) - FX/FCO for 4-Wire DS1 Digital Loop with 4-Wire DDITS Trunk Port																				
		Interoffice Channel Mileage - Fixed rate 0-8 miles (Facilities Termination)			UEPDC	1LNO1	\$78.47	\$147.07	\$111.75	\$0.00	\$0.00	\$19.99										
		Interoffice Channel Mileage - Additional rate per mile - 0-8 miles			UEPDC	1LNOA	\$0.4523	\$0.00	\$0.00			\$19.99										
		Interoffice Channel Mileage - Fixed rate 9-25 miles (Facilities Termination)			UEPDC	1LNO2	\$0.0000	\$0.00	\$0.00													
		Interoffice Channel Mileage - Additional rate per mile - 9-25 miles			UEPDC	1LNOB	\$0.4523	\$0.00	\$0.00													
		Interoffice Channel Mileage - Fixed rate 25+ miles (Facilities Termination)			UEPDC	1LNO3	\$0.00	\$0.00	\$0.00	\$0.00												
		Interoffice Channel Mileage - Additional rate per mile - 25+ miles			UEPDC	1LNOC	\$0.4523	\$0.00	\$0.00													
		Local Number Portability, per DS0 Activated			UEPDC	LNPCP	\$3.15	\$0.00	\$0.00	\$0.00												
		Central Office Terminating Point			UEPDC	CTG	\$0.00															
		4-WIRE DS1 LOOP WITH CHANNELIZATION WITH PORT																				
		System is 1 DS1 Loop, 1 D4 Channel Bank, and up to 24 Feature Activations																				
		Each System can have up to 24 combinations of rates depending on type and number of ports used																				
		UNE DS1 Loop																				
		4-Wire DS1 Loop - UNE Zone 1			UEPMG	USLDC	\$55.53	\$0.00	\$0.00			\$19.99										
		4-Wire DS1 Loop - UNE Zone 2			UEPMG	USLDC	\$64.13	\$0.00	\$0.00			\$19.99										
		4-Wire DS1 Loop - UNE Zone 3			UEPMG	USLDC	\$101.93	\$0.00	\$0.00			\$19.99										
		UNE DSO Channelization Capacities (D4 Channel Bank Configurations)																				
		24 DSO Channel Capacity - 1 per DS1			UEPMG	VUM24	\$102.64	\$0.00	\$0.00			\$19.99										
		48 DSO Channel Capacity - 1 per 2 DS1s			UEPMG	VUM48	\$205.28	\$0.00	\$0.00			\$19.99										
		96 DSO Channel Capacity -1per 4 DS1s			UEPMG	VUM96	\$410.56	\$0.00	\$0.00			\$19.99										
		144 DSO Channel Capacity - 1 per 6 DS1s			UEPMG	VUM14	\$615.84	\$0.00	\$0.00			\$19.99										
		192 DSO Channel Capacity -1 per 8 DS1s			UEPMG	VUM19	\$821.12	\$0.00	\$0.00			\$19.99										
		240 DSO Channel Capacity - 1 per 10 DS1s			UEPMG	VUM20	\$1,026.40	\$0.00	\$0.00			\$19.99										
		288 DSO Channel Capacity - 1 per 12 DS1s			UEPMG	VUM28	\$1,231.68	\$0.00	\$0.00			\$19.99										
		384 DSO Channel Capacity - 1 per 16 DS1s			UEPMG	VUM38	\$1,642.24	\$0.00	\$0.00			\$19.99										
		480 DSO Channel Capacity - 1 per 20 DS1s			UEPMG	VUM40	\$2,052.80	\$0.00	\$0.00			\$19.99										
		576 DSO Channel Capacity -1 per 24 DS1s			UEPMG	VUM57	\$2,463.36	\$0.00	\$0.00			\$19.99										
		672 DSO Channel Capacity - 1 per 28 DS1s			UEPMG	VUM67	\$2,873.92	\$0.00	\$0.00			\$19.99										
		Non-Recurring Charges (NRC) Associated with 4-Wire DS1 Loop with Channelization with Port - Conversion Charge Based on a System																				
		A Minimum System configuration is One (1) DS1, One (1) D4 Channel Bank, and Up To 24 DSO Ports with Feature Activations.																				
		Multiples of this configuration functioning as one are considered Add'l after the minimum system configuration is counted.																				
		NRC - Conversion (Currently Combined) with or without BellSouth Allowed Changes			UEPMG	USAC4	\$0.00	\$328.35	\$16.52			\$19.99										

BELLSOUTH / METROMEDIA FIBER NETWORK SERVICES RATES
Unbundled Network Elements
GEORGIA

CATEGORY	NOTES	UNBUNDLED NETWORK ELEMENT	Interim	Zone	BCS	USOC	RATES				OSS RATES																
							Rec	First	Add'l	First	Add'l	SOME C	SOMAN	SOMAN	SOMAN	SOMAN	SOMAN	SOMAN									
																			Nonrecurring	Nonrecurring	Disconnect	Svc Order Submitted Elec per LSR	Svc Order Submitted Manually per LSR	Incremental Charge - Manual Svc Order vs. Electronic-1st	Incremental Charge - Manual Svc Order vs. Electronic-Add'l	Incremental Charge - Manual Svc Order vs. Electronic-Disc 1st	Incremental Charge - Manual Svc Order vs. Electronic-Disc Add'l
System Additions at End User Locations Where 4-Wire DS1 Loop with Channelization with Port Combination Currently Exists and New (Not Currently Combined) in Georgia Only																											
		NRC - 1 DS1/D4 Channel Bank - Add NRC for each Port and Assoc Feature Activation - New GA Only			UEPMG	VUMD4	\$0.00	\$738.61	\$462.53	\$144.05	\$17.09		\$19.99														
		Bipolar 8 Zero Substitution																									
		Clear Channel Capability Format, superframe - Subsequent Activity Only			UEPMG	CCOSF	\$0.00	\$0.00	\$600.00				\$19.99														
		Clear Channel Capability Format - Extended Superframe - Subsequent Activity Only			UEPMG	CCOEF	\$0.00	\$0.00	\$600.00				\$19.99														
		Alternate Mark Inversion (AMI)																									
		Superframe Format			UEPMG	MCOSF	\$0.00	\$0.00	\$0.00																		
		Extended Superframe Format			UEPMG	MCOPO	\$0.00	\$0.00	\$0.00																		
		Exchange Ports Associated with 4-Wire DS1 Loop with Channelization with Port Exchange Ports																									
		Line Side Combination Channelized PBX Trunk Port - Business			UEPPX	UEPCX	\$1.79	\$0.00	\$0.00	\$0.00	\$0.00		\$19.99														
		Line Side Outward Channelized PBX Trunk Port - Business			UEPPX	UEPOX	\$1.79	\$0.00	\$0.00	\$0.00	\$0.00		\$19.99														
		Line Side Inward Only Channelized PBX Trunk Port without DID			UEPPX	UEP1X	\$1.79	\$0.00	\$0.00	\$0.00	\$0.00		\$19.99														
		2-Wire Trunk Side Unbundled Channelized DID Trunk Port			UEPPX	UEPDM	\$11.35	\$0.00	\$0.00	\$0.00	\$0.00		\$19.99														
		Feature Activations - Unbundled Loop Concentration																									
		Feature (Service) Activation for each Line Side Port Terminated in D4 Bank			UEPPX	1PQWM	\$0.62	\$25.09	\$13.25	\$3.99	\$3.97		\$19.99														
		Feature (Service) Activation for each Trunk Side Port Terminated in D4 Bank			UEPPX	1PQUW	\$0.62	\$77.21	\$18.20	\$56.49	\$11.04		\$19.99														
		Telephone Number/ Group Establishment Charges for DID Service																									
		DID Trunk Termination (1 per Port)			UEPPX	NDT	\$0.00																				
		Estab Trk Grp and Provide 1st 20 DID Nos. (FL,GA, NC, & SC)			UEPPX	NDZ	\$0.00	\$0.00	\$0.00				\$19.99														
		DID Numbers - groups of 20 - Valid all States			UEPPX	ND4	\$0.00	\$0.00	\$0.00	\$0.00			\$19.99														
		Non-Consecutive DID Numbers - per number			UEPPX	ND5	\$0.00	\$0.00	\$0.00				\$19.99														
		Reserve Non-Consecutive DID Numbers			UEPPX	ND6	\$0.00	\$0.00	\$0.00																		
		Reserve DID Numbers			UEPPX	NDV	\$0.00	\$0.00	\$0.00																		
		Local Number Portability																									
		Local Number Portability - 1 per port			UEPPX	LNPCP	\$3.15	\$0.00	\$0.00																		
		FEATURES - Vertical and Optional																									
		Local Switching Features Offered with Line Side Ports Only																									
		All Features Available			UEPPX	UEPVF	\$0.00	\$0.00	\$0.00				\$19.99														
		Superframe Format			UEPDC	MCOSF			\$0.00	\$0.00																	
		Central Office Terminating Point			UEPDC	CTG	\$0.00	\$0.00	\$0.00																		

BELLSOUTH / METROMEDIA FIBER NETWORK SERVICES RATES
 Unbundled Network Elements
 GEORGIA

CATEGORY	NOTES	UNBUNDLED NETWORK ELEMENT	Interim	Zone	BCS	USOC	RATES				OSS RATES										
							Rec	First	Add'l	First	Add'l	Svc Order Submitted Elec per LSR	Svc Order Submitted Manually per LSR	Incremental Charge - Manual Svc Order vs. Electronic-1st	Incremental Charge - Manual Svc Order vs. Electronic-Add'l	Incremental Charge - Manual Svc Order vs. Electronic-Disc 1st	Incremental Charge - Manual Svc Order vs. Electronic-Disc Add'l				
																		Nonrecurring		Nonrecurring	
																		Disconnect			
SOME	SOMAN	SOMAN	SOMAN	SOMAN	SOMAN	SOMAN															

BELLSOUTH / METROMEDIA FIBER NETWORK SERVICES RATES
Unbundled Network Elements
KENTUCKY

CATEGORY	NOTES	UNBUNDLED NETWORK ELEMENT	Interim	Zone	BCS	USOC	Rec	RATES				OSS RATES														
								First	Add'l	First	Add'l	SOMEC	SOMAN	SOMAN	SOMAN	SOMAN	SOMAN	Incremental Charge - Manual Svc Order vs. Electronic-Disc 1st	Incremental Charge - Manual Svc Order vs. Electronic-Disc Add'l							
																				Nonrecurring		Nonrecurring				
																				Disconnect		Disconnect				
Geographically Deaveraged UNE Zones and applicable rates have been established for certain services, as shown in this Agreement. Where Geographically Deaveraged UNE Zones and applicable rates are established, Statewide rates are obsolete. Further, BellSouth is in the process of enhancing its billing systems in order to accommodate this Geographically Deaveraged UNE Zone Rate Structure. Until these enhancements are accomplished, estimated to be mid 2001, the UNE Zone 1 rate will be billed for all services residing in Zones 1, 2, 3 or 4, i.e., Rates for services residing in UNE Zones 2, 3 and UNE Zone 4, where applicable, will not be billed. Once billing enhancements are complete, all applicable UNE Zone rates reflected in this Agreement will be billed. Reference Internet Website http://www.interconnection.bellsouth.com/become_clec/docs/interconnection/deavuzns.pdf to view Geographically Deaveraged UNE Zone Designations by Central Office.																										
UNBUNDLED LOCAL EXCHANGE SWITCHING(PORTS)																										
		Exchange Ports																								
		NOTE: Although the Port Rate includes all available features in GA & TN, the desired features will need to be ordered using retail USOCs																								
		2-WIRE VOICE GRADE LINE PORT RATES (RES)																								
		Exchange Ports - 2-Wire Analog Line Port- Res.			UEPSR	UEPRL	\$2.61	\$24.98	\$24.98						\$3.50	\$19.99										
		Exchange Ports - 2-Wire Analog Line Port with Caller ID - Res.			UEPSR	UEPRC	\$2.61	\$24.98	\$24.98						\$3.50	\$19.99										
		Exchange Ports - 2-Wire Analog Line Port outgoing only - Res.			UEPSR	UEPRO	\$2.61	\$24.98	\$24.98						\$3.50	\$19.99										
		Exchange Ports - 2-Wire VG unbundled KY extended local dialing parity Port with Caller ID - Res.			UEPSR	UEPRM	\$2.61	\$24.98	\$24.98						\$3.50	\$19.99										
		Exchange Ports - 2-Wire VG unbundled res, low usage line port with Caller ID (LUM)			UEPSR	UEPAP	\$2.61	\$24.98	\$24.98						\$3.50	\$19.99										
		Subsequent Activity			UEPSR	USASC	\$0.0	\$0.0	\$0.0						\$3.50	\$19.99										
		FEATURES																								
		All Available Vertical Features			UEPSR	UEPVF	\$3.39	\$0.0	\$0.0						\$3.5	\$19.99										
		2-WIRE VOICE GRADE LINE PORT RATES (BUS)																								
		Exchange Ports - 2-Wire Analog Line Port without Caller ID - Bus			UEPSB	UEPBL	\$2.61	\$37.55	\$37.55						\$3.50	\$19.99										
		Exchange Ports - 2-Wire VG unbundled Line Port with unbundled port with Caller+E484 ID - Bus.			UEPSB	UEPBC	\$2.61	\$37.55	\$37.55						\$3.50	\$19.99										
		Exchange Ports - 2-Wire Analog Line Port outgoing only - Bus.			UEPSB	UEPBO	\$2.61	\$37.55	\$37.55						\$3.50	\$19.99										
		Exchange Ports - 2-Wire VG unbundled KY extended local dialing parity Port with Caller ID - Bus.			UEPSB	UEPBM	\$2.61	\$37.78	\$37.78						\$3.50	\$19.99										
		Exchange Ports - 2-Wire VG unbundled incoming only port with Caller ID - Bus			UEPSB	UEPB1	\$2.61	\$37.55	\$37.55						\$3.50	\$19.99										
		Subsequent Activity			UEPSB	USASC	\$0.0	\$0.0	\$0.0						\$3.50	\$19.99										
		FEATURES																								
		All Available Vertical Features			UEPSB	UEPVF	\$3.39	\$0.0	\$0.0						\$3.50	\$19.99										
		EXCHANGE PORT RATES (DID & PBX)																								
		Exchange Ports - 2-Wire DID Port			UEPEX	UEPP2	\$10.97	\$238.69	\$37.49	\$119.40	\$7.50					\$19.99										
		Exchange Ports - DDITS Port - 4-Wire DS1 Port with DID capability			UEPDD	UEPDD	\$83.28	\$404.18	\$191.44	\$144.71	\$4.90					\$19.99										
		Exchange Ports - 2-Wire ISDN Port (See Notes below.)			UEPTX	UEPSX	\$15.02	\$145.59	\$106.01	\$95.93	\$21.55	\$3.50									\$3.94	\$3.94				
		All Features Offered			UEPTX	UEPSX	\$3.39	\$0.0	\$0.0																	
		NOTE: Transmission/usage charges associated with POTS circuit switched usage will also apply to circuit switched voice and/or circuit switched data transmission by B-Channels associated with 2-wire ISDN ports.																								
		NOTE: Access to B Channel or D Channel Packet capabilities will be available only through BFR/New Business Request Process. Rates for the packet capabilities will be determined via the Bona Fide Request/New Business Request Process.																								
		Exchange Ports - 2-Wire ISDN Port -- Channel Profiles			UEPTX	UEPSX	\$0.0	\$0.0	\$0.0																	
		Exchange Ports - 4-Wire ISDN DS1 Port			UEPEX	UEPEX	\$113.21	\$407.77	\$203.18	\$157.84	\$39.98															

BELLSOUTH / METROMEDIA FIBER NETWORK SERVICES RATES
Unbundled Network Elements
KENTUCKY

CATEGORY	NOTES	UNBUNDLED NETWORK ELEMENT	Interim	Zone	BCS	USOC	Rec	RATES				OSS RATES									
								First	Add'l	First	Add'l	Svc Order Submitted Elec per LSR	Svc Order Submitted Manually per LSR	Incremental Charge - Manual Svc Order vs. Electronic-1st	Incremental Charge - Manual Svc Order vs. Electronic-Add'l	Incremental Charge - Manual Svc Order vs. Electronic-Disc 1st	Incremental Charge - Manual Svc Order vs. Electronic-Disc Add'l				
																		Nonrecurring		Nonrecurring	
																		Disconnect			
SOMEK	SOMAN	SOMAN	SOMAN	SOMAN	SOMAN																
	Cost Based Rates are applied where BellSouth is required by FCC and/or State Commission rule to provide Unbundled Local Switching or Switch Ports.																				
	Features shall apply to the Unbundled Port/Loop Combination - Cost Based Rate section in the same manner as they are applied to the Stand-Alone Unbundled Port section of this Rate Exhibit.																				
	End Office and Tandem Switching Usage and Common Transport Usage rates in the Port section of this rate exhibit shall apply to all combinations of loop/port network elements except for UNE Coin Port/Loop Combinations.																				
	For Georgia, the recurring UNE Port and Loop charges listed apply to Currently Combined and Not Currently Combined Combos and the first and additional Port nonrecurring charges apply to Not Currently Combined Combos. For Currently Combined Combos in GA and all other states, the nonrecurring charges shall be those identified in the Nonrecurring - Currently Combined sections.																				
	2-WIRE VOICE GRADE LOOP WITH 2-WIRE LINE PORT (RES)																				
	UNE Port/Loop Combination Rates																				
				1				\$16.15													
				2				\$22.34													
				3				\$30.88													
	UNE Loop Rates																				
				1	UEPRX	UEPLX		\$13.54													
				2	UEPRX	UEPLX		\$19.73													
				3	UEPRX	UEPLX		\$28.27													
	2-Wire Voice Grade Line Port Rates (Res)																				
					UEPRX	UEPRL		\$2.61		\$3.50		\$19.99	\$19.99								
					UEPRX	UEPRC		\$2.61		\$3.50		\$19.99	\$19.99								
					UEPRX	UEPRO		\$2.61		\$3.50		\$19.99	\$19.99								
					UEPRX	UEPRM		\$2.61		\$3.50		\$19.99	\$19.99								
					UEPRX	UEPAP		\$2.61		\$3.50		\$19.99	\$19.99								
	FEATURES																				
					UEPRX	UEPVF		\$3.39	\$0.0	\$0.0		\$3.5	\$19.99	\$19.99							
	LOCAL NUMBER PORTABILITY																				
					UEPRX	LNPCX		\$0.35													
	NONRECURRING CHARGES (NRCs) - CURRENTLY COMBINED																				
					UEPRX	USAC2		\$10.00	\$10.00		\$3.50	\$19.99	\$19.99								
					UEPRX	USACC		\$10.00	\$10.00		\$3.50	\$19.99	\$19.99								
	ADDITIONAL NRCs																				
					UEPRX	USAS2		\$0.0	\$0.0	\$0.0	\$3.50	\$19.99									
	2-WIRE VOICE GRADE LOOP WITH 2-WIRE LINE PORT (BUS)																				

BELLSOUTH / METROMEDIA FIBER NETWORK SERVICES RATES
Unbundled Network Elements
KENTUCKY

CATEGORY	NOTES	UNBUNDLED NETWORK ELEMENT	Interim	Zone	BCS	USOC	RATES				OSS RATES										
							Rec	First	Add'l	First	Add'l	Svc Order Submitted Elec per LSR	Svc Order Submitted Manually per LSR	Incremental Charge - Manual Svc Order vs. Electronic-1st	Incremental Charge - Manual Svc Order vs. Electronic-Add'l	Incremental Charge - Manual Svc Order vs. Electronic-Disc 1st	Incremental Charge - Manual Svc Order vs. Electronic-Disc Add'l				
																		Nonrecurring		Nonrecurring	
																		Disconnect		Disconnect	
SOMEc	SOMAN	SOMAN	SOMAN	SOMAN	SOMAN																
UNE Port/Loop Combination Rates																					
		2-Wire VG Loop/Port Combo - Zone 1		1			\$16.15														
		2-Wire VG Loop/Port Combo - Zone 2		2			\$22.34														
		2-Wire VG Loop/Port Combo - Zone 3		3			\$30.88														
UNE Loop Rates																					
		2-Wire Voice Grade Loop (SL1) - Zone 1		1	UEPBX	UEPLX	\$13.54														
		2-Wire Voice Grade Loop (SL1) - Zone 2		2	UEPBX	UEPLX	\$19.73														
		2-Wire Voice Grade Loop (SL1) - Zone 3		3	UEPBX	UEPLX	\$28.27														
2-Wire Voice Grade Line Port (Bus)																					
		2-Wire voice unbundled port without Caller ID - bus			UEPBX	UEPBL	\$2.61				\$3.50		\$19.99	\$19.99							
		2-Wire voice unbundled port with Caller + E484 ID - bus			UEPBX	UEPBC	\$2.61				\$3.50		\$19.99	\$19.99							
		2-Wire voice unbundled port outgoing only - bus			UEPBX	UEPBO	\$2.61				\$3.50		\$19.99	\$19.99							
		2-Wire voice Grade unbundled Kentucky extended local dialing parity port with Caller ID - bus			UEPBX	UEPBM	\$2.61				\$3.50		\$19.99	\$19.99							
		2-Wire voice unbundled incoming only port with Caller ID - Bus			UEPBX	UEPB1	\$2.61				\$3.50		\$19.99	\$19.99							
LOCAL NUMBER PORTABILITY																					
		Local Number Portability (1 per port)			UEPBX	LNPCX	\$0.35														
FEATURES																					
		All Features Offered			UEPBX	UEPVF	\$3.39	\$0.0	\$0.0		\$3.50		\$19.99	\$19.99							
NONRECURRING CHARGES (NRCs) - CURRENTLY COMBINED																					
		2-Wire Voice Grade Loop / Line Port Combination - Conversion - Switch-as-is			UEPBX	USAC2		\$10.00	\$10.00		\$3.50		\$19.99	\$19.99							
		2-Wire Voice Grade Loop / Line Port Combination - Conversion - Switch with change			UEPBX	USACC		\$10.00	\$10.00		\$3.50		\$19.99	\$19.99							
ADDITIONAL NRCs																					
		2-Wire Voice Grade Loop/Line Port Combination - Subsequent Activity			UEPBX	USAS2					\$3.50		\$19.99	\$19.99							
2-WIRE VOICE GRADE LOOP WITH 2-WIRE LINE PORT (RES - PBX)																					
UNE Port/Loop Combination Rates																					
		2-Wire VG Loop/Port Combo - Zone 1		1			\$16.15														
		2-Wire VG Loop/Port Combo - Zone 2		2			\$22.34														
		2-Wire VG Loop/Port Combo - Zone 3		3			\$30.88														
UNE Loop Rates																					
		2-Wire Voice Grade Loop (SL 1) - Zone 1		1	UEPRG	UEPLX	\$13.54														
		2-Wire Voice Grade Loop (SL 1) - Zone 2		2	UEPRG	UEPLX	\$19.73														
		2-Wire Voice Grade Loop (SL 1) - Zone 3		3	UEPRG	UEPLX	\$28.27														
2-Wire Voice Grade Line Port Rates (RES - PBX)																					
		2-Wire VG Unbundled Combination 2-Way PBX Trunk Port - Res			UEPRG	UEPRD	\$2.61				\$3.50		\$19.99	\$19.99							
LOCAL NUMBER PORTABILITY																					
		Local Number Portability (1 per port)			UEPRG	LNPCP	\$3.5														
FEATURES																					
		All Features Offered			UEPRG	UEPVF	\$3.39	\$0.0	\$0.0		\$3.50		\$19.99	\$19.99							
NONRECURRING CHARGES (NRCs) - CURRENTLY COMBINED																					
		2-Wire Voice Grade Loop/ Line Port Combination (PBX) - Conversion - Switch-As-Is			UEPRG	USAC2		\$10.00	\$10.00		\$3.50		\$19.99	\$19.99							
		2-Wire Voice Grade Loop/ Line Port Combination (PBX) - Conversion - Switch with Change			UEPRG	USACC		\$10.00	\$10.00		\$3.50		\$19.99	\$19.99							

BELLSOUTH / METROMEDIA FIBER NETWORK SERVICES RATES
Unbundled Network Elements
KENTUCKY

CATEGORY	NOTES	UNBUNDLED NETWORK ELEMENT	Interim	Zone	BCS	USOC	RATES				OSS RATES										
							Rec	First	Add'l	First	Add'l	Svc Order Submitted Elec per LSR	Svc Order Submitted Manually per LSR	Incremental Charge - Manual Svc Order vs. Electronic-1st	Incremental Charge - Manual Svc Order vs. Electronic-Add'l	Incremental Charge - Manual Svc Order vs. Electronic-Disc 1st	Incremental Charge - Manual Svc Order vs. Electronic-Disc Add'l				
																		Nonrecurring		Nonrecurring	
																		Disconnect		Disconnect	
							SOMEc	SOMAN	SOMAN	SOMAN	SOMAN	SOMAN	SOMAN	SOMAN							
	ADDITIONAL NRCs																				
	2-Wire Voice Grade Loop/ Line Port Combination (PBX) - Subsequent Activity				UEPRG	USAS2	\$0.0	\$0.0	\$0.0		\$3.50	\$19.99									
	PBX Subsequent Activity - Change/Rearrange Multiline Hunt Group							\$14.64	\$14.64		\$3.5	\$19.99									
	2-WIRE VOICE GRADE LOOP WITH 2-WIRE LINE PORT (BUS - PBX)																				
	UNE Port/Loop Combination Rates																				
	2-Wire VG Loop/Port Combo - Zone 1			1			\$16.15														
	2-Wire VG Loop/Port Combo - Zone 2			2			\$22.34														
	2-Wire VG Loop/Port Combo - Zone 3			3			\$30.88														
	UNE Loop Rates																				
	2-Wire Voice Grade Loop (SL 1) - Zone 1			1	UEPPX	UEPLX	\$13.54														
	2-Wire Voice Grade Loop (SL 1) - Zone 2			2	UEPPX	UEPLX	\$19.73														
	2-Wire Voice Grade Loop (SL 1) - Zone 3			3	UEPPX	UEPLX	\$28.27														
	2-Wire Voice Grade Line Port Rates (BUS - PBX)																				
	Line Side Unbundled Combination 2-Way PBX Trunk Port - Bus				UEPPX	UEPPC	\$2.61				\$3.50	\$19.99	\$19.99								
	Line Side Unbundled Outward PBX Trunk Port - Bus				UEPPX	UEPPO	\$2.61				\$3.50	\$19.99	\$19.99								
	Line Side Unbundled Incoming PBX Trunk Port - Bus				UEPPX	UEPP1	\$2.61				\$3.50	\$19.99	\$19.99								
	2-Wire Voice Unbundled PBX LD Terminal Ports				UEPPX	UEPLD	\$2.61				\$3.50	\$19.99	\$19.99								
	2-Wire Voice Unbundled 2-Way Combination PBX Usage Port				UEPPX	UEPXA	\$2.61				\$3.50	\$19.99	\$19.99								
	2-Wire Voice Unbundled PBX Toll Terminal Hotel Ports				UEPPX	UEPXB	\$2.61				\$3.50	\$19.99	\$19.99								
	2-Wire Voice Unbundled PBX LD DDD Terminals Port				UEPPX	UEPXC	\$2.61				\$3.50	\$19.99	\$19.99								
	2-Wire Voice Unbundled PBX LD Terminal Switchboard Port				UEPPX	UEPXD	\$2.61				\$3.50	\$19.99	\$19.99								
	2-Wire Voice Unbundled PBX LD Terminal Switchboard IDD Capable Port				UEPPX	UEPXE	\$2.61				\$3.50	\$19.99	\$19.99								
	2-Wire Voice Unbundled 2-Way PBX Kentucky Room Area Calling Port without LUD				UEPPX	UEPXF	\$2.61				\$3.50	\$19.99	\$19.99								
	2-Wire Voice Unbundled PBX Kentucky LUD Area Calling Port				UEPPX	UEPXG	\$2.61				\$3.50	\$19.99	\$19.99								
	2-Wire Voice Unbundled PBX Kentucky Premium Calling Port				UEPPX	UEPXH	\$2.61				\$3.50	\$19.99	\$19.99								
	2-Wire Voice Unbundled 2-Way Kentucky Area Calling Port without LUD				UEPPX	UEPXJ	\$2.61				\$3.50	\$19.99	\$19.99								
	2-Wire Voice Unbundled 2-Way PBX Hotel/Hospital Economy Administrative Calling Port				UEPPX	UEPXL	\$2.61				\$3.50	\$19.99	\$19.99								
	2-Wire Voice Unbundled 2-Way PBX Hotel/Hospital Economy Room Calling Port				UEPPX	UEPXM	\$2.61				\$3.50	\$19.99	\$19.99								
	2-Wire Voice Unbundled 1-Way Outgoing PBX Hotel/Hospital Discount Room Calling Port				UEPPX	UEPXO	\$2.61				\$3.50	\$19.99	\$19.99								
	2-Wire Voice Unbundled 1-Way Outgoing PBX Measured Port				UEPPX	UEPXS	\$2.61				\$3.50	\$19.99	\$19.99								
	LOCAL NUMBER PORTABILITY																				
	Local Number Portability (1 per port)				UEPPX	LNPCP	\$3.15														
	FEATURES																				
	All Features Offered				UEPPX	UEPVF	\$3.39	\$0.0	\$0.0		\$3.50	\$19.99	\$19.99								
	NONRECURRING CHARGES (NRCs) - CURRENTLY COMBINED																				
	2-Wire Voice Grade Loop/ Line Port Combination (PBX) - Conversion - Switch-As-Is				UEPPX	USAC2		\$10.00	\$10.00		\$3.50	\$19.99	\$19.99								
	2-Wire Voice Grade Loop/ Line Port Combination (PBX) - Conversion - Switch with Change				UEPPX	USACC		\$10.00	\$10.00		\$3.50	\$19.99	\$19.99								
	ADDITIONAL NRCs																				
	2-Wire Voice Grade Loop/ Line Port Combination (PBX) - Subsequent Activity				UEPPX	USAS2	\$0.0	\$0.0	\$0.0		\$3.50	\$19.99									
	PBX Subsequent Activity - Change/Rearrange Multiline Hunt Group							\$14.64	\$14.64		\$3.5	\$19.99									
	2-WIRE VOICE GRADE LOOP WITH 2-WIRE ANALOG LINE COIN PORT																				

BELLSOUTH / METROMEDIA FIBER NETWORK SERVICES RATES
Unbundled Network Elements
KENTUCKY

CATEGORY	NOTES	UNBUNDLED NETWORK ELEMENT	Interim	Zone	BCS	USOC	RATES				OSS RATES										
							Rec	First	Add'l	First	Add'l	Svc Order Submitted Elec per LSR	Svc Order Submitted Manually per LSR	Incremental Charge - Manual Svc Order vs. Electronic-1st	Incremental Charge - Manual Svc Order vs. Electronic-Add'l	Incremental Charge - Manual Svc Order vs. Electronic-Disc 1st	Incremental Charge - Manual Svc Order vs. Electronic-Disc Add'l				
																		Nonrecurring		Nonrecurring	
																		Disconnect		Disconnect	
SOMEK	SOMAN	SOMAN	SOMAN	SOMAN	SOMAN																
UNE Port/Loop Combination Rates																					
		2-Wire VG Coin Port/Loop Combo - Zone 1					\$16.15														
		2-Wire VG Coin Port/Loop Combo - Zone 2					\$22.64														
		2-Wire VG Coin Port/Loop Combo - Zone 3					\$31.09														
UNE Loop Rates																					
		2-Wire Voice Grade Loop (SL1) - Zone 1			UEPCO	UEPLX	\$13.54														
		2-Wire Voice Grade Loop (SL1) - Zone 2			UEPCO	UEPLX	\$19.73														
		2-Wire Voice Grade Loop (SL1) - Zone 3			UEPCO	UEPLX	\$28.27														
2-Wire Voice Grade Line Ports (COIN)																					
		2-Wire Coin 2-Way without Operator Screening and without Blocking (AL, KY, LA, MS)			UEPCO	UEPRF	\$2.91				\$3.5		\$19.99	\$19.99							
		2-Wire Coin 2-Way with Operator Screening (AL, KY)			UEPCO	UEPRE	\$2.91				\$3.5		\$19.99	\$19.99							
		2-Wire Coin 2-Way with Operator Screening and Blocking: 011, 900/976, 1+DDD (AL, KY, LA, MS)			UEPCO	UEPRA	\$2.91				\$3.5		\$19.99	\$19.99							
		2-Wire Coin 2-Way with Operator Screening and 011 Blocking (KY)			UEPCO	UEPKA	\$2.91				\$3.5		\$19.99	\$19.99							
		2-Wire Coin 2-Way with Operator Screening & Blocking: 900/976, 1+DDD, 011+, & Local (AL, KY, LA, MS)			UEPCO	UEPCD	\$2.91				\$3.5		\$19.99	\$19.99							
		2-Wire Coin Outward without Blocking and without Operator Screening (KY, LA, MS)			UEPCO	UEPRN	\$2.91				\$3.5		\$19.99	\$19.99							
		2-Wire Coin Outward with Operator Screening and 011 Blocking (GA, KY, MS)			UEPCO	UEPRJ	\$2.91				\$3.5		\$19.99	\$19.99							
		2-Wire Coin Outward with Operator Screening and Blocking: 011, 900/976, 1+DDD (AL, KY, LA, MS)			UEPCO	UEPRH	\$2.91				\$3.5		\$19.99	\$19.99							
		2-Wire Coin Outward Operator Screening & Blocking: 900/976, 1+DDD, 011+, and Local (AL, KY, LA, MS)			UEPCO	UEPCN	\$2.91				\$3.5		\$19.99	\$19.99							
		2-Wire 2-Way Smartline with 900/976 (all states except LA)			UEPCO	UEPCK	\$2.91				\$3.5		\$19.99	\$19.99							
		2-Wire Coin Outward Smartline with 900/976 (all states except LA)			UEPCO	UEPCR	\$2.91				\$3.5		\$19.99	\$19.99							
ADDITIONAL UNE COIN PORT/LOOP (RC)																					
		UNE Coin Port/Loop Combo Usage (Flat Rate)			UEPCO	URECU	\$2.57	\$0.0	\$0.0												
LOCAL NUMBER PORTABILITY																					
		Local Number Portability (1 per port)			UEPCO	LNPCX	\$0.35														
NONRECURRING CHARGES - CURRENTLY COMBINED																					
		2-Wire Voice Grade Loop / Line Port Combination - Conversion - Switch-as-is			UEPCO	USAC2		\$10.00	\$10.00		\$3.5		\$19.99	\$19.99							
		2-Wire Voice Grade Loop / Line Port Combination - Conversion - Switch with change			UEPCO	USACC		\$10.00	\$10.00		\$3.5		\$19.99	\$19.99							
ADDITIONAL NRCs																					
		2-Wire Voice Grade Loop/Line Port Combination - Subsequent Activity			UEPCO	USAS2		\$0.0	\$0.0		\$3.5		\$19.99	\$19.99							
2-WIRE VOICE GRADE LOOP- BUS ONLY - WITH 2-WIRE DID TRUNK PORT																					
UNE Port/Loop Combination Rates																					
		2-Wire VG Loop/2-Wire DID Trunk Port Combo - UNE Zone 1		1			\$28.72														
		2-Wire VG Loop/2-Wire DID Trunk Port Combo - UNE Zone 2		2			\$34.90														
		2-Wire VG Loop/2-Wire DID Trunk Port Combo - UNE Zone 3		3			\$45.90														
UNE Loop Rates																					
		2-Wire Analog Voice Grade Loop - (SL2) - UNE Zone 1		1	UEPPX	UECD1	\$17.78	\$210.31	\$135.35	\$105.49	\$20.43		\$19.99								
		2-Wire Analog Voice Grade Loop - (SL2) - UNE Zone 2		2	UEPPX	UECD1	\$23.96	\$210.31	\$135.35	\$105.49	\$20.43		\$19.99								
		2-Wire Analog Voice Grade Loop - (SL2) - UNE Zone 3		3	UEPPX	UECD1	\$34.96	\$210.31	\$135.35	\$105.49	\$20.43		\$19.99								
UNE Port Rate																					

BELLSOUTH / METROMEDIA FIBER NETWORK SERVICES RATES
Unbundled Network Elements
KENTUCKY

CATEGORY	NOTES	UNBUNDLED NETWORK ELEMENT	Interim	Zone	BCS	USOC	RATES					OSS RATES									
							Rec	First	Add'l	First	Add'l	Svc Order Submitted Elec per LSR	Svc Order Submitted Manually per LSR	Incremental Charge - Manual Svc Order vs. Electronic-1st	Incremental Charge - Manual Svc Order vs. Electronic-Add'l	Incremental Charge - Manual Svc Order vs. Electronic-Disc 1st	Incremental Charge - Manual Svc Order vs. Electronic-Disc Add'l				
																		Nonrecurring		Nonrecurring	
																		Disconnect		Disconnect	
SOME C	SOMAN	SOMAN	SOMAN	SOMAN	SOMAN	SOMAN															
		Exchange Ports - 2-Wire DID Port			UEPPX	UEPD1	\$10.94	\$238.69	\$37.49	\$119.40	\$7.50		\$19.99								
		NONRECURRING CHARGES - CURRENTLY COMBINED																			
		2-Wire Voice Grade Loop / 2-Wire DID Trunk Port Conversion with BellSouth Allowable Changes			UEPPX	USA1C		\$14.62	\$3.73				\$19.99								
		ADDITIONAL NRCs																			
		2-Wire DID Subsequent Activity - Add Trunks, Per Trunk			UEPPX	USAS1		\$53.58	\$53.58				\$19.99								
		Telephone Number/Trunk Group Establishment Charges																			
		DID Trunk Termination (One Per Port)			UEPPX	NDT	\$0.00	\$0.00	\$0.00				\$19.99								
		Additional DID Numbers for each Group of 20 DID Numbers			UEPPX	ND4	\$0.00	\$0.00	\$0.00				\$19.99								
		DID Numbers, Non- consecutive DID Numbers , Per Number			UEPPX	ND5	\$0.00	\$0.00	\$0.00				\$19.99								
		Reserve Non-Consecutive DID numbers			UEPPX	ND6	\$0.00	\$0.00	\$0.00				\$19.99								
		Reserve DID Numbers			UEPPX	NDV	\$0.00	\$0.00	\$0.00				\$19.99								
		LOCAL NUMBER PORTABILITY																			
		Local Number Portability (1 per port)			UEPPX	LNPCP	\$3.15														
		2-WIRE ISDN DIGITAL GRADE LOOP WITH 2-WIRE ISDN DIGITAL LINE SIDE PORT																			
		UNE Port/Loop Combination Rates																			
		2W ISDN Digital Grade Loop/2W ISDN Digital Line Side Port - UNE Zone 1		1	UEPPB	UEPPR	\$35.40														
		2W ISDN Digital Grade Loop/2W ISDN Digital Line Side Port - UNE Zone 2		2	UEPPB	UEPPR	\$44.09														
		2W ISDN Digital Grade Loop/2W ISDN Digital Line Side Port - UNE Zone 3		3	UEPPB	UEPPR	\$55.35														
		UNE Loop Rates																			
		2-Wire ISDN Digital Grade Loop - UNE Zone 1		1	UEPPB	UEPPR	USL2X	\$22.41	\$233.47	\$158.51	\$105.49	\$20.48		\$19.99							
		2-Wire ISDN Digital Grade Loop - UNE Zone 2		2	UEPPB	UEPPR	USL2X	\$31.10	\$233.47	\$158.51	\$105.49	\$20.48		\$19.99							
		2-Wire ISDN Digital Grade Loop - UNE Zone 3		3	UEPPB	UEPPR	USL2X	\$42.36	\$233.47	\$158.51	\$105.49	\$20.48		\$19.99							
		UNE Port Rate																			
		Exchange Port - 2-Wire ISDN Line Side Port			UEPPB	UEPPR	UEPPB	\$12.99	\$145.59	\$106.01	\$95.93	\$21.55		\$19.99							
		NONRECURRING CHARGES - CURRENTLY COMBINED																			
		2-Wire ISDN Digital Grade Loop / 2-Wire ISDN Line Side Port Combination - Conversion			UEPPB	UEPPR	USACB	\$0.0	\$77.04	\$54.04			\$19.99								
		ADDITIONAL NRCs																			
		LOCAL NUMBER PORTABILITY																			
		Local Number Portability (1 per port)			UEPPB	UEPPR	LNPCX	\$0.35	\$0.00	\$0.00											
		B-CHANNEL USER PROFILE ACCESS:																			
		CVS/CSD (DMS/5ESS)			UEPPB	UEPPR	U1UCA	\$0.00	\$0.00	\$0.00											
		CVS (EWSD)			UEPPB	UEPPR	U1UCB	\$0.00	\$0.00	\$0.00											
		CSD			UEPPB	UEPPR	U1UCC	\$0.00	\$0.00	\$0.00											
		B-CHANNEL AREA PLUS USER PROFILE ACCESS: (AL,KY,LA,MS SC,MS, & TN)																			
		CVS/CSD (DMS/5ESS)			UEPPB	UEPPR	U1UCD	\$0.00	\$0.00	\$0.00											
		CVS (EWSD)			UEPPB	UEPPR	U1UCE	\$0.00	\$0.00	\$0.00											
		CSD			UEPPB	UEPPR	U1UCF	\$0.00	\$0.00	\$0.00											
		USER TERMINAL PROFILE																			
		User Terminal Profile (EWSD only)			UEPPB	UEPPR	U1UMA	\$0.00	\$0.00	\$0.00											
		VERTICAL FEATURES																			

BELLSOUTH / METROMEDIA FIBER NETWORK SERVICES RATES
Unbundled Network Elements
KENTUCKY

CATEGORY	NOTES	UNBUNDLED NETWORK ELEMENT	Interim	Zone	BCS	USOC	RATES					OSS RATES									
							Rec	First	Add'l	First	Add'l	Svc Order Submitted Elec per LSR	Svc Order Submitted Manually per LSR	Incremental Charge - Manual Svc Order vs. Electronic-1st	Incremental Charge - Manual Svc Order vs. Electronic-Add'l	Incremental Charge - Manual Svc Order vs. Electronic-Disc 1st	Incremental Charge - Manual Svc Order vs. Electronic-Disc Add'l				
																		Nonrecurring		Nonrecurring	
																		Disconnect		Disconnect	
SOMEK	SOMAN	SOMAN	SOMAN	SOMAN	SOMAN																
		All Vertical Features - One per Channel B User Profile			UEPPB UEPPR	UEPVF	\$3.39	\$0.00	\$0.00												
		INTEROFFICE CHANNEL MILEAGE																			
		Interoffice Channel mileage each, including first mile and facilities termination			UEPPB UEPPR	M1GNC	\$26.98	\$142.31	\$56.21			\$0.0									
		Interoffice Channel mileage each, additional mile			UEPPB UEPPR	M1GNM	\$0.0301	\$0.00	\$0.00			\$0.0	\$0.0								
		4-WIRE DS1 DIGITAL LOOP WITH 4-WIRE ISDN DS1 DIGITAL TRUNK PORT																			
		UNE Port/Loop Combination Rates																			
		4W DS1 Digital Loop/4W ISDN DS1 Digital Trunk Port - UNE Zone 1		1	UEPPP		\$219.25														
		4W DS1 Digital Loop/4W ISDN DS1 Digital Trunk Port - UNE Zone 2		2	UEPPP		\$248.36														
		4W DS1 Digital Loop/4W ISDN DS1 Digital Trunk Port - UNE Zone 3		3	UEPPP		\$299.47														
		UNE Loop Rates																			
		4-Wire DS1 Digital Loop - UNE Zone 1		1	UEPPP	USL4P	\$106.04	\$505.12	\$315.18	\$89.11	\$23.33		\$19.99								
		4-Wire DS1 Digital Loop - UNE Zone 2		2	UEPPP	USL4P	\$135.15	\$505.10	\$315.18	\$89.11	\$23.33		\$19.99								
		4-Wire DS1 Digital Loop - UNE Zone 3		3	UEPPP	USL4P	\$186.15	\$505.10	\$315.18	\$89.11	\$23.33		\$19.99								
		UNE Port Rate																			
		Exchange Ports - 4-Wire ISDN DS1 Port			UEPPP	UEPPP	\$113.21	\$407.77	\$203.18	\$157.77	\$39.98		\$19.99								
		NONRECURRING CHARGES - CURRENTLY COMBINED																			
		4-Wire DS1 Digital Loop / 4-Wire ISDN DS1 Digital Trunk Port Combination - Conversion - Switch-as-is			UEPPP	USACP	\$0.00	\$238.22	\$157.17				\$19.99								
		ADDITIONAL NRCs																			
		4-Wire DS1 Loop/4-W ISDN Digt Trk Port - Subsqt Actvy-Inward/two way tel nos within Std Allowance			UEPPP	PR7TF		\$0.9804					\$19.99								
		4-Wire DS1 Loop / 4-Wire ISDN DS1 Digital Trunk Port - Outward Tel Numbers (All States except NC)			UEPPP	PR7TO		\$23.02	\$23.02				\$19.99								
		4-Wire DS1 Loop / 4-Wire ISDN DS1 Digital Trk Port - Subsequent Inward Tel Nos Above Std Allowance			UEPPP	PR7ZT		\$46.05	\$46.05				\$19.99								
		LOCAL NUMBER PORTABILITY																			
		Local Number Portability (1 per port)			UEPPP	LNPCN	\$1.75														
		INTERFACE (Provisioning Only)																			
		Voice/Data			UEPPP	PR71V	\$0.00	\$0.00	\$0.00												
		Digital Data			UEPPP	PR71D	\$0.00	\$0.00	\$0.00												
		Inward Data			UEPPP	PR71E	\$0.00	\$0.00	\$0.00												
		New or Additional "B" Channel																			
		New or Additional - Voice/Data B Channel			UEPPP	PR7BV	\$0.00	\$29.06					\$19.99								
		New or Additional - Digital Data B Channel			UEPPP	PR7BF	\$0.00	\$29.06					\$19.99								
		New or Additional Inward Data B Channel			UEPPP	PR7BD	\$0.00	\$29.06					\$19.99								
		New or Additional Usage Sensitive Voice Data B Channel			UEPPP	PR7BS	\$0.00	\$29.06					\$19.19								
		New or Additional Usage Sensitive Digital Data B Channel			UEPPP	PR7BU	\$0.00	\$29.06					\$19.99								
		CALL TYPES																			
		Inward			UEPPP	PR7C1	\$0.00	\$0.00	\$0.00												
		Outward			UEPPP	PR7C0	\$0.00	\$0.00	\$0.00												
		Two-way			UEPPP	PR7CC	\$0.00	\$0.00	\$0.00												
		Interoffice Channel Mileage																			
		Fixed Each Including First Mile			UEPPP	1LN1A	\$55.50	\$298.18	\$231.23	\$0.00			\$19.99								
		Each Airline-Fractional Additional Mile			UEPPP	1LN1B	\$0.4500														

BELLSOUTH / METROMEDIA FIBER NETWORK SERVICES RATES
Unbundled Network Elements
KENTUCKY

CATEGORY	NOTES	UNBUNDLED NETWORK ELEMENT	Interim	Zone	BCS	USOC	RATES				OSS RATES										
							Rec	First	Add'l	First	Add'l	SOMEK	SOMAN	SOMAN	SOMAN	SOMAN	SOMAN				
																		Nonrecurring		Nonrecurring	
																		Disconnect		Disconnect	
4-WIRE DS1 DIGITAL LOOP WITH 4-WIRE DDITS TRUNK PORT																					
UNE Port/Loop Combination Rates																					
	4W DS1 Digital Loop/4W DDITS Trunk Port - UNE Zone 1			1	UEPDC		\$189.32														
	4W DS1 Digital Loop/4W DDITS Trunk Port - UNE Zone 2			2	UEPDC		\$218.43				\$19.99										
	4W DS1 Digital Loop/4W DDITS Trunk Port - UNE Zone 3			3	UEPDC		\$269.54				\$19.99										
UNE Loop Rates																					
	4-Wire DS1 Digital Loop - UNE Zone 1			1	UEPDC	USLDC	\$106.04	\$505.10	\$315.18	\$89.11	\$23.33			\$19.99							
	4-Wire DS1 Digital Loop - UNE Zone 2			2	UEPDC	USLDC	\$135.15	\$505.10	\$315.18	\$89.11	\$23.33			\$19.99							
	4-Wire DS1 Digital Loop - UNE Zone 3			3	UEPDC	USLDC	\$186.15	\$505.10	\$315.18	\$89.11	\$23.33			\$19.99							
UNE Port Rate																					
	4-Wire DDITS Digital Trunk Port				UEPDC	UDD1T	\$83.28	\$404.18	\$191.44	\$144.77	\$4.90			\$19.99							
NONRECURRING CHARGES - CURRENTLY COMBINED																					
	4-Wire DS1 Digital Loop / 4-Wire DDITS Trunk Port Combination - Switch-as-is				UEPDC	USAC4		\$261.15	\$134.08					\$19.99							
	4-Wire DS1 Digital Loop / 4-Wire DDITS Trunk Port Combination - Conversion with DS1 Changes				UEPDC	USAWA		\$261.15	\$134.08					\$19.99							
	4-Wire DS1 Digital Loop / 4-Wire DDITS Trunk Port Combination - Conversion with Change - Trunk				UEPDC	USAWB		\$261.15	\$134.08					\$19.99							
ADDITIONAL NRCs																					
	4-Wire DS1 Loop / 4-Wire DDITS Trunk Port - NRC - Subsequent Channel Activation/Chan - 2-Way Trunk				UEPDC	UDTTA		\$28.96	\$28.96					\$19.99							
	4-Wire DS1 Loop / 4-Wire DDITS Trunk Port - Subsequent Channel Activation/Chan - 1-Way Outward Trunk				UEPDC	UDTTB		\$28.96	\$28.96					\$19.99							
	4-Wire DS1 Loop / 4-Wire DDITS Trunk Port - Subsqnt Channel Activation/Chan Inward Trunk w/out DID				UEPDC	UDTTC		\$28.96	\$28.96					\$19.99							
	4-Wire DS1 Loop / 4-Wire DDITS Trunk Port - Subsqnt Chan Activation Per Chan - Inward Trunk with DID				UEPDC	UDTTD		\$28.96	\$28.96					\$19.99							
	4-Wire DS1 Loop / 4-Wire DDITS Trunk Port - Subsqnt Chan Activation / Chan - 2-Way DID w User Trans				UEPDC	UDTTE		\$28.96	\$28.96					\$19.99							
BIPOLAR 8 ZERO SUBSTITUTION																					
	B8ZS - Superframe Format				UEPDC	CCOSF		\$0.0	\$730.00					\$19.99							
	B8ZS - Extended Superframe Format				UEPDC	CCOEF		\$0.0	\$730.00					\$19.99							
Alternate Mark Inversion																					
	AMI - Superframe Format				UEPDC	MCOSF		\$0.00	\$0.00												
	AMI - Extended SuperFrame Format				UEPDC	MCOPO		\$0.00	\$0.00												
Telephone Number/Trunk Group Establishment Charges																					
	Telephone Number for 2-Way Trunk Group				UEPDC	UDTGX	\$0.00														
	Telephone Number for 1-Way Outward Trunk Group				UEPDC	UDTGY	\$0.00							\$19.99							
	Telephone Number for 1-Way Inward Trunk Group Without DID				UEPDC	UDTGZ	\$0.00							\$19.99							
	DID Numbers for each Group of 20 DID Numbers				UEPDC	ND4	\$0.00							\$19.99							
	DID Numbers, Non- consecutive DID Numbers , Per Number				UEPDC	ND5	\$0.00							\$19.99							
	Reserve Non-Consecutive DID Nos.				UEPDC	ND6	\$0.00	\$0.00	\$0.00					\$19.99							
	Reserve DID Numbers				UEPDC	NDV	\$0.00	\$0.00	\$0.00					\$19.99							
Dedicated DS1 (Interoffice Channel Mileage) - FX/FCO for 4-Wire DS1 Digital Loop with 4-Wire DDITS Trunk Port																					
	Interoffice Channel Mileage - Fixed rate 0-8 miles (Facilities Termination)				UEPDC	1LNO1	\$55.05	\$298.18	\$231.23	\$0.00	\$0.00			\$19.99							
	Interoffice Channel Mileage - Additional rate per mile - 0-8 miles				UEPDC	1LNOA	\$0.45	\$0.00	\$0.00					\$19.99							
	Interoffice Channel Mileage - Fixed rate 9-25 miles (Facilities Termination)				UEPDC	1LNO2	\$0.00	\$0.00	\$0.00												
	Interoffice Channel Mileage - Additional rate per mile - 9-25 miles				UEPDC	1LNOB	\$0.450	\$0.00	\$0.00												

BELLSOUTH / METROMEDIA FIBER NETWORK SERVICES RATES
Unbundled Network Elements
KENTUCKY

CATEGORY	NOTES	UNBUNDLED NETWORK ELEMENT	Interim	Zone	BCS	USOC	RATES				OSS RATES										
							Rec	First	Add'l	First	Add'l	Svc Order Submitted Elec per LSR	Svc Order Submitted Manually per LSR	Incremental Charge - Manual Svc Order vs. Electronic-1st	Incremental Charge - Manual Svc Order vs. Electronic-Add'l	Incremental Charge - Manual Svc Order vs. Electronic-Disc 1st	Incremental Charge - Manual Svc Order vs. Electronic-Disc Add'l				
																		Nonrecurring		Nonrecurring	
																		Disconnect		Disconnect	
SOME C	SOMAN	SOMAN	SOMAN	SOMAN	SOMAN																
		Interoffice Channel Mileage - Fixed rate 25+ miles (Facilities Termination)			UEPDC	1LNO3	\$0.00	\$0.00	\$0.00	\$0.00											
		Interoffice Channel Mileage - Additional rate per mile - 25+ miles			UEPDC	1LNOC	\$0.450	\$0.00	\$0.00	\$0.00											
		Local Number Portability, per DSO Activated			UEPDC	LNPCP	\$3.15	\$0.00	\$0.00	\$0.00											
		Central Office Terminating Point			UEPDC	CTG	\$0.00														
		4-WIRE DS1 LOOP WITH CHANNELIZATION WITH PORT																			
		System is 1 DS1 Loop, 1 D4 Channel Bank, and up to 24 Feature Activations																			
		Each System can have up to 24 combinations of rates depending on type and number of ports used																			
		UNE DS1 Loop																			
		4-Wire DS1 Loop - UNE Zone 1			UEPMG	USLDC	\$106.04	\$0.00	\$0.00							\$19.99					
		4-Wire DS1 Loop - UNE Zone 2			UEPMG	USLDC	\$135.15	\$0.00	\$0.00								\$19.99				
		4-Wire DS1 Loop - UNE Zone 3			UEPMG	USLDC	\$186.15	\$0.00	\$0.00								\$19.99				
		UNE DSO Channelization Capacities (D4 Channel Bank Configurations)																			
		24 DSO Channel Capacity - 1 per DS1			UEPMG	VUM24	\$136.99	\$0.00	\$0.00								\$19.99				
		48 DSO Channel Capacity - 1 per 2 DS1s			UEPMG	VUM48	\$273.98	\$0.00	\$0.00								\$19.99				
		96 DSO Channel Capacity -1per 4 DS1s			UEPMG	VUM96	\$547.96	\$0.00	\$0.00								\$19.99				
		144 DSO Channel Capacity - 1 per 6 DS1s			UEPMG	VUM14	\$821.94	\$0.00	\$0.00								\$19.99				
		192 DSO Channel Capacity -1 per 8 DS1s			UEPMG	VUM19	\$1,095.92	\$0.00	\$0.00								\$19.99				
		240 DSO Channel Capacity - 1 per 10 DS1s			UEPMG	VUM20	\$1,369.90	\$0.00	\$0.00								\$19.99				
		288 DSO Channel Capacity - 1 per 12 DS1s			UEPMG	VUM28	\$1,643.88	\$0.00	\$0.00								\$19.99				
		384 DSO Channel Capacity - 1 per 16 DS1s			UEPMG	VUM38	\$2,191.84	\$0.00	\$0.00								\$19.99				
		480 DSO Channel Capacity -1 per 20 DS1s			UEPMG	VUM40	\$2,739.80	\$0.00	\$0.00								\$19.99				
		576 DSO Channel Capacity -1 per 24 DS1s			UEPMG	VUM57	\$3,287.76	\$0.00	\$0.00								\$19.99				
		672 DSO Channel Capacity - 1 per 28 DS1s			UEPMG	VUM67	\$3,835.72	\$0.00	\$0.00								\$19.99				
		Non-Recurring Charges (NRC) Associated with 4-Wire DS1 Loop with Channelization with Port - Conversion Charge Based on a System																			
		A Minimum System configuration is One (1) DS1, One (1) D4 Channel Bank, and Up To 24 DSO Ports with Feature Activations.																			
		Multiples of this configuration functioning as one are considered Add'l after the minimum system configuration is counted.																			
		NRC - Conversion (Currently Combined) with or without BellSouth Allowed Changes			UEPMG	USAC4	\$0.00	\$301.05	\$16.72								\$19.99				
		System Additions at End User Locations Where 4-Wire DS1 Loop with Channelization with Port Combination Currently Exists and New (Not Currently Combined) In Georgia Only																			
		NRC - 1 DS1/D4 Channel Bank - Add NRC for each Port and Assoc Feature Activation - New GA Only			UEPMG	VUMD4	\$0.00	\$716.36	\$468.20	\$149.30	\$17.71						\$19.99				
		Bipolar 8 Zero Substitution																			
		Clear Channel Capability Format, superframe - Subsequent Activity Only			UEPMG	CCOSF	\$0.00	\$0.00	\$730.00								\$19.99				
		Clear Channel Capability Format - Extended Superframe - Subsequent Activity Only			UEPMG	CCOEF	\$0.00	\$0.00	\$730.00								\$19.99				
		Alternate Mark Inversion (AMI)																			
		Superframe Format			UEPMG	MCOSF	\$0.00	\$0.00	\$0.00												
		Extended Superframe Format			UEPMG	MCOPO	\$0.00	\$0.00	\$0.00												
		Exchange Ports Associated with 4-Wire DS1 Loop with Channelization with Port																			
		Exchange Ports																			

BELLSOUTH / METROMEDIA FIBER NETWORK SERVICES RATES
Unbundled Network Elements
KENTUCKY

CATEGORY	NOTES	UNBUNDLED NETWORK ELEMENT	Interim	Zone	BCS	USOC	RATES				OSS RATES										
							Rec	First	Add'l	First	Add'l	Svc Order Submitted Elec per LSR	Svc Order Submitted Manually per LSR	Incremental Charge - Manual Svc Order vs. Electronic-1st	Incremental Charge - Manual Svc Order vs. Electronic-Add'l	Incremental Charge - Manual Svc Order vs. Electronic-Disc 1st	Incremental Charge - Manual Svc Order vs. Electronic-Disc Add'l				
																		Nonrecurring		Nonrecurring	
																		Disconnect		Disconnect	
SOMEK	SOMAN	SOMAN	SOMAN	SOMAN	SOMAN																
		Line Side Combination Channelized PBX Trunk Port - Business			UEPPX	UEPCX	\$1.66	\$0.00	\$0.00	\$0.00	\$0.00		\$19.99								
		Line Side Outward Channelized PBX Trunk Port - Business			UEPPX	UEPOX	\$1.66	\$0.00	\$0.00	\$0.00	\$0.00		\$19.99								
		Line Side Inward Only Channelized PBX Trunk Port without DID			UEPPX	UEP1X	\$1.66	\$0.00	\$0.00	\$0.00	\$0.00		\$19.99								
		2-Wire Trunk Side Unbundled Channelized DID Trunk Port			UEPPX	UEPDM	\$10.97	\$0.00	\$0.00	\$0.00	\$0.00		\$19.99								
		Feature Activations - Unbundled Loop Concentration																			
		Feature (Service) Activation for each Line Side Port Terminated in D4 Bank			UEPPX	1PQWM	\$0.77	\$25.40	\$13.41	\$4.17	\$4.15		\$19.99								
		Feature (Service) Activation for each Trunk Side Port Terminated in D4 Bank			UEPPX	1PQWU	\$0.77	\$78.15	\$19.68	\$59.05	\$11.54		\$19.99								
		Telephone Number/ Group Establishment Charges for DID Service																			
		DID Trunk Termination (1 per Port)			UEPPX	NDT	\$0.00														
		DID Numbers - groups of 20 - Valid all States			UEPPX	ND4	\$0.00	\$0.00	\$0.00				\$19.99								
		Non-Consecutive DID Numbers - per number			UEPPX	ND5	\$0.00	\$0.00	\$0.00				\$19.99								
		Reserve Non-Consecutive DID Numbers			UEPPX	ND6	\$0.00	\$0.00	\$0.00												
		Reserve DID Numbers			UEPPX	NDV	\$0.00	\$0.00	\$0.00												
		Local Number Portability																			
		Local Number Portability - 1 per port			UEPPX	LNPCP	\$3.15	\$0.00	\$0.00												
		FEATURES - Vertical and Optional																			
		Local Switching Features Offered with Line Side Ports Only																			
		All Features Available			UEPPX	UEPVF	\$3.39	\$0.00	\$0.00				\$19.99								

BELLSOUTH / METROMEDIA FIBER NETWORK SERVICES RATES
Unbundled Network Elements
LOUISIANA

CATEGORY	NOTES	UNBUNDLED NETWORK ELEMENT	Interim	Zone	BCS	USOC	RATES					OSS RATES									
							Rec	First	Add'l	First	Add'l	Svc Order Submitted Elec per LSR	Svc Order Submitted Manually per LSR	Incremental Charge - Manual Svc Order vs. Electronic-1st	Incremental Charge - Manual Svc Order vs. Electronic-Add'l	Incremental Charge - Manual Svc Order vs. Electronic-Disc 1st	Incremental Charge - Manual Svc Order vs. Electronic-Disc Add'l				
																		Nonrecurring		Nonrecurring	
																		Disconnect		Disconnect	
SOME	SOMAN	SOMAN	SOMAN	SOMAN	SOMAN	SOMAN															
Geographically Deaveraged UNE Zones and applicable rates have been established for certain services, as shown in this Agreement. Where Geographically Deaveraged UNE Zones and applicable rates are established, Statewide rates are obsolete. Further, BellSouth is in the process of enhancing its billing systems in order to accommodate this Geographically Deaveraged UNE Zone Rate Structure. Until these enhancements are accomplished, estimated to be mid 2001, the UNE Zone 1 rate will be billed for all services residing in Zones 1, 2, 3 or 4, i.e., Rates for services residing in UNE Zones 2, 3 and UNE Zone 4, where applicable, will not be billed. Once billing enhancements are complete, all applicable UNE Zone rates reflected in this Agreement will be billed. Reference Internet Website http://www.interconnection.bellsouth.com/become_clec/docs/interconnection/deavuzns.pdf to view Geographically Deaveraged UNE Zone Designations by Central Office.																					
UNBUNDLED LOCAL EXCHANGE SWITCHING(PORTS)																					
Exchange Ports																					
NOTE: Although the Port Rate includes all available features in GA & TN, the desired features will need to be ordered using retail USOCs																					
2-WIRE VOICE GRADE LINE PORT RATES (RES)																					
		Exchange Ports - 2-Wire Analog Line Port- Res.			UEPSR	UEPRL	\$2.20	\$16.43	\$16.43	\$4.38	\$4.38	\$3.50	\$18.14	\$8.06	\$10.39	\$10.39					
		Exchange Ports - 2-Wire Analog Line Port with Caller ID - Res.			UEPSR	UEPRC	\$2.20	\$16.43	\$16.43	\$4.38	\$4.38	\$3.50	\$18.14	\$8.06	\$10.39	\$10.39					
		Exchange Ports - 2-Wire Analog Line Port outgoing only - Res.			UEPSR	UEPRO	\$2.20	\$16.43	\$16.43	\$4.38	\$4.38	\$3.50	\$18.14	\$8.06	\$10.39	\$10.39					
		Exchange Ports - 2-Wire VG unbundled LA extended local dialing parity Port with Caller ID - Res.			UEPSR	UEPAS	\$2.20	\$16.43	\$16.43	\$4.38	\$4.38	\$3.50	\$18.14	\$8.06	\$10.39	\$10.39					
		Exchange Ports - 2-Wire VG unbundled Louisiana Area Plus with Caller ID - Res (RUL)			UEPSR	UEPAG	\$2.20	\$16.43	\$16.43	\$4.38	\$4.38	\$3.50	\$18.14	\$8.06	\$10.39	\$10.39					
		Exchange Ports - 2-Wire VG unbundled res, low usage line port with Caller ID (LUM)			UEPSR	UEPAP	\$2.20	\$16.43	\$16.43	\$4.38	\$4.38	\$3.50	\$18.14	\$8.06	\$10.39	\$10.39					
		Subsequent Activity			UEPSR	USASC	\$0.0	\$0.0	\$0.0			\$3.50	\$19.99								
		FEATURES																			
		All Available Vertical Features			UEPSR	UEPVF	\$8.28	\$0.0	\$0.0			\$3.50	\$19.99	\$18.14	\$8.06	\$10.39	\$10.39				
2-WIRE VOICE GRADE LINE PORT RATES (BUS)																					
		Exchange Ports - 2-Wire Analog Line Port without Caller ID - Bus			UEPSB	UEPBL	\$2.20	\$16.43	\$16.43	\$4.38	\$4.38	\$3.50	\$18.14	\$8.06	\$10.39	\$10.39					
		Exchange Ports - 2-Wire VG unbundled Line Port with unbundled port with Caller+E484 ID - Bus.			UEPSB	UEPBC	\$2.20	\$16.43	\$16.43	\$4.38	\$4.38	\$3.50	\$18.14	\$8.06	\$10.39	\$10.39					
		Exchange Ports - 2-Wire Analog Line Port outgoing only - Bus.			UEPSB	UEPBO	\$2.20	\$16.43	\$16.43	\$4.38	\$4.38	\$3.50	\$18.14	\$8.06	\$10.39	\$10.39					
		Exchange Ports - 2-Wire VG unbundled LA extended local dialing parity Port with Caller ID - Bus.			UEPSB	UEPAX	\$2.20	\$16.43	\$16.43	\$4.38	\$4.38	\$3.50	\$18.14	\$8.06	\$10.39	\$10.39					
		Exchange Ports - 2-Wire VG unbundled incoming only port with Caller ID - Bus			UEPSB	UEPB1	\$2.20	\$16.43	\$16.43	\$4.38	\$4.38	\$3.50	\$18.14	\$8.06	\$10.39	\$10.39					
		Exchange Ports - 2-Wire VG unbundled Louisiana Bus Area Calling Port with Caller ID - Bus (BUC)			UEPSB	UEPAA	\$2.20	\$16.43	\$16.43	\$4.38	\$4.38	\$3.50	\$18.14	\$8.06	\$10.39	\$10.39					
		Subsequent Activity			UEPSB	USASC	\$0.0	\$0.0	\$0.0			\$3.50	\$19.99								
		FEATURES																			
		All Available Vertical Features			UEPSB	UEPVF	\$8.28	\$0.0	\$0.0			\$3.50	\$19.99	\$18.14	\$8.06	\$10.39	\$10.39				
EXCHANGE PORT RATES (DID & PBX)																					
		Exchange Ports - 2-Wire DID Port			UEPEX	UEPP2	\$9.52	\$238.35	\$37.44	\$121.38	\$7.63	\$3.50	\$18.14	\$8.06	\$10.39	\$10.39					
		Exchange Ports - DDITS Port - 4-Wire DS1 Port with DID capability			UEPDD	UEPDD	\$77.66	\$403.61	\$191.17	\$147.11	\$4.98	\$19.99									
		Exchange Ports - 2-Wire ISDN Port (See Notes below.)			UEPTX	UEPSX	\$11.42	\$145.38	\$105.86	\$95.47	\$21.45	\$3.50	\$38.29	\$38.29	\$6.65	\$6.65					
		All Features Offered			UEPTX	UEPSX	\$8.28	\$0.0	\$0.0												
NOTE: Transmission/usage charges associated with POTS circuit switched usage will also apply to circuit switched voice and/or circuit switched data transmission by B-Channels associated with 2-wire ISDN ports.																					

BELLSOUTH / METROMEDIA FIBER NETWORK SERVICES RATES
Unbundled Network Elements
LOUISIANA

CATEGORY	NOTES	UNBUNDLED NETWORK ELEMENT	Interim	Zone	BCS	USOC	RATES					OSS RATES								
							Rec	First	Add'l	First	Add'l	SOME C	SOMAN	SOMAN	SOMAN	SOMAN	SOMAN			
							Nonrecurring			Nonrecurring					Svc Order Submitted Elec per LSR	Svc Order Submitted Manually per LSR	Incremental Charge - Manual Svc Order vs. Electronic-1st	Incremental Charge - Manual Svc Order vs. Electronic-Add'l	Incremental Charge - Manual Svc Order vs. Electronic-Disc 1st	Incremental Charge - Manual Svc Order vs. Electronic-Disc Add'l
	NOTE: Access to B Channel or D Channel Packet capabilities will be available only through BFR/New Business Request Process. Rates for the packet capabilities will be determined via the Bona Fide Request/New Business Request Process.																			
		Exchange Ports - 2-Wire ISDN Port -- Channel Profiles				UEPTX UEPXS	U1UMA	\$0.0	\$0.0	\$0.0										
		Exchange Ports - 4-Wire ISDN DS1 Port				UEPEX	UEPEX	\$107.55	\$407.19	\$202.89	\$160.46	\$40.65	\$3.50		\$33.18	\$33.18	\$7.73	\$7.73		
		2-Wire VG Unbundled 2-Way PBX Trunk - Res				UEPSE	UEPRD	\$2.20	\$16.43	\$16.43	\$3.77	\$3.77	\$3.50		\$18.14	\$8.06	\$8.94	\$8.94		
		2-Wire VG Line Side Unbundled 2-Way PBX Trunk - Bus				UEPSP	UEPPC	\$2.20	\$16.43	\$16.43	\$3.77	\$3.77	\$3.50		\$18.14	\$8.06	\$8.94	\$8.94		
		2-Wire VG Line Side Unbundled Outward PBX Trunk - Bus				UEPSP	UEPPO	\$2.20	\$16.43	\$16.43	\$3.77	\$3.77	\$3.50		\$18.14	\$8.06	\$8.94	\$8.94		
		2-Wire VG Line Side Unbundled Incoming PBX Trunk - Bus				UEPSP	UEPP1	\$2.20	\$16.43	\$16.43	\$3.77	\$3.77	\$3.50		\$18.14	\$8.06	\$8.94	\$8.94		
		2-Wire Analog Long Distance Terminal PBX Trunk - Bus				UEPSP	UEPLD	\$2.20	\$16.43	\$16.43	\$3.77	\$3.77	\$3.50		\$18.14	\$8.06	\$8.94	\$8.94		
		2-Wire Analog TN 2-Way Calling Plan PBX Trunk - Bus				UEPSP	UEPT2	\$2.20	\$16.43	\$16.43	\$3.77	\$3.77	\$3.50		\$18.14	\$8.06	\$8.94	\$8.94		
		2-Wire TN Outward Calling Plan PBX Trunk - Bus				UEPSP	UEPTO	\$2.20	\$16.43	\$16.43	\$3.77	\$3.77	\$3.50		\$18.14	\$8.06	\$8.94	\$8.94		
		2-Wire Voice Unbundled 2-Way PBX Louisiana Calling Port				UEPSP	UEPL2	\$2.20	\$16.43	\$16.43	\$3.77	\$3.77	\$3.50		\$18.14	\$8.06	\$8.94	\$8.94		
		2-Wire Voice Unbundled PBX LD Terminal Ports				UEPSP	UEPLD	\$2.20	\$16.43	\$16.43	\$3.77	\$3.77	\$3.50		\$18.14	\$8.06	\$8.94	\$8.94		
		2-Wire Voice Unbundled 2-Way PBX Usage Port				UEPSP	UEPXA	\$2.20	\$16.43	\$16.43	\$3.77	\$3.77	\$3.50		\$18.14	\$8.06	\$8.94	\$8.94		
		2-Wire Voice Unbundled PBX Toll Terminal Hotel Ports				UEPSP	UEPXB	\$2.20	\$16.43	\$16.43	\$3.77	\$3.77	\$3.50		\$18.14	\$8.06	\$8.94	\$8.94		
		2-Wire Voice Unbundled PBX LD DDD Terminals Port				UEPSP	UEPXC	\$2.20	\$16.43	\$16.43	\$3.77	\$3.77	\$3.50		\$18.14	\$8.06	\$8.94	\$8.94		
		2-Wire Voice Unbundled PBX LD Terminal Switchboard Port				UEPSP	UEPXD	\$2.20	\$16.43	\$16.43	\$3.77	\$3.77	\$3.50		\$18.14	\$8.06	\$8.94	\$8.94		
		2-Wire Voice Unbundled PBX LD Terminal Switchboard IDD Capable Port				UEPSP	UEPXE	\$2.20	\$16.43	\$16.43	\$3.77	\$3.77	\$3.50		\$18.14	\$8.06	\$8.94	\$8.94		
		2-Wire Voice Unbundled 2-Way PBX Louisiana Local Optional Calling Port				UEPSP	UEPKK	\$2.20	\$16.43	\$16.43	\$3.77	\$3.77	\$3.50		\$18.14	\$8.06	\$8.94	\$8.94		
		2-Wire Voice Unbundled 2-Way PBX Hotel/Hospital Economy Administrative Calling Port				UEPSP	UEPXL	\$2.20	\$16.43	\$16.43	\$3.77	\$3.77	\$3.50		\$18.14	\$8.06	\$8.94	\$8.94		
		2-Wire Voice Unbundled 2-Way PBX Hotel/Hospital Economy Room Calling Port				UEPSP	UEPXM	\$2.20	\$16.43	\$16.43	\$3.77	\$3.77	\$3.50		\$18.14	\$8.06	\$8.94	\$8.94		
		2-Wire Voice Unbundled 1-Way Outgoing PBX Hotel/Hospital Discount Room Calling Port				UEPSP	UEPXO	\$2.20	\$16.43	\$16.43	\$3.77	\$3.77	\$3.50		\$18.14	\$8.06	\$8.94	\$8.94		
		2-Wire Voice Unbundled 1-Way Outgoing PBX Louisiana Local Discount Calling Port				UEPSP	UEPXP	\$2.20	\$16.43	\$16.43	\$3.77	\$3.77	\$3.50		\$18.14	\$8.06	\$8.94	\$8.94		
		2-Wire Voice Unbundled 1-Way Outgoing PBX Measured Port				UEPSP	UEPXS	\$2.20	\$16.43	\$16.43	\$3.77	\$3.77	\$3.50		\$18.14	\$8.06	\$8.94	\$8.94		
		Subsequent Activity				UEPSP	USASC	\$0.0	\$0.0	\$0.0		\$3.50	\$19.99							
	FEATURES																			
		All Available Vertical Features				UEPSP UEPSE	UEPVF	\$8.28	\$0.0	\$0.0			\$3.5		\$18.14	\$8.06	\$8.94			
	EXCHANGE PORT RATES (COIN)																			
		Exchange Ports - Coin Port						\$2.50	\$16.43	\$16.43	\$4.15	\$4.15	\$3.50		\$18.14	\$8.06	\$9.86	\$9.86		
	NOTE: Transmission/usage charges associated with POTS circuit switched usage will also apply to circuit switched voice and/or circuit switched data transmission by B-Channels associated with 2-wire ISDN ports.																			
	NOTE: Access to B Channel or D Channel Packet capabilities will be available only through BFR/New Business Request Process. Rates for the packet capabilities will be determined via the Bona Fide Request/New Business Request Process.																			
	UNBUNDLED LOCAL SWITCHING, PORT USAGE																			
		End Office Switching (Port Usage)																		
		End Office Switching Function, Per MOU						\$0.0021												
		End Office Trunk Port - Shared, Per MOU						\$0.0002												
		Tandem Switching (Port Usage) (Local or Access Tandem)																		
		Tandem Switching Function Per MOU						\$0.0008												
		Tandem Trunk Port - Shared, Per MOU						\$0.0003												

BELLSOUTH / METROMEDIA FIBER NETWORK SERVICES RATES
Unbundled Network Elements
LOUISIANA

CATEGORY	NOTES	UNBUNDLED NETWORK ELEMENT	Interim	Zone	BCS	USOC	RATES				OSS RATES													
							Rec	First	Add'l	First	Add'l	Svc Order Submitted Elec per LSR	Svc Order Submitted Manually per LSR	Incremental Charge - Manual Svc Order vs. Electronic-1st	Incremental Charge - Manual Svc Order vs. Electronic-Add'l	Incremental Charge - Manual Svc Order vs. Electronic-Disc 1st	Incremental Charge - Manual Svc Order vs. Electronic-Disc Add'l							
																		Nonrecurring	Nonrecurring					
																		Disconnect						
SOMEK	SOMAN	SOMAN	SOMAN	SOMAN	SOMAN																			
Common Transport																								
		Common Transport - Per Mile, Per MOU					\$0.000083																	
		Common Transport - Facilities Termination Per MOU					\$0.00047																	
UNBUNDLED PORT/LOOP COMBINATIONS																								
UNBUNDLED PORT/LOOP COMBINATIONS - COST BASED RATES																								
Cost Based Rates are applied where BellSouth is required by FCC and/or State Commission rule to provide Unbundled Local Switching or Switch Ports.																								
Features shall apply to the Unbundled Port/Loop Combination - Cost Based Rate section in the same manner as they are applied to the Stand-Alone Unbundled Port section of this Rate Exhibit.																								
End Office and Tandem Switching Usage and Common Transport Usage rates in the Port section of this rate exhibit shall apply to all combinations of loop/port network elements except for UNE Coin Port/Loop Combinations.																								
For Georgia, the recurring UNE Port and Loop charges listed apply to Currently Combined and Not Currently Combined Combos and the first and additional Port nonrecurring charges apply to Not Currently Combined Combos. For Currently Combined Combos in GA and all other states, the nonrecurring charges shall be those identified in the Nonrecurring - Currently Combined sections.																								
2-WIRE VOICE GRADE LOOP WITH 2-WIRE LINE PORT (RES)																								
UNE Port/Loop Combination Rates																								
		2-Wire VG Loop/Port Combo - Zone 1		1			\$16.60																	
		2-Wire VG Loop/Port Combo - Zone 2		2			\$26.69																	
		2-Wire VG Loop/Port Combo - Zone 3		3			\$51.85																	
UNE Loop Rates																								
		2-Wire Voice Grade Loop (SL1) - Zone 1		1	UEPRX	UEPLX	\$14.05																	
		2-Wire Voice Grade Loop (SL1) - Zone 2		2	UEPRX	UEPLX	\$24.14																	
		2-Wire Voice Grade Loop (SL1) - Zone 3		3	UEPRX	UEPLX	\$49.30																	
2-Wire Voice Grade Line Port Rates (Res)																								
		2-Wire voice unbundled port - residence			UEPRX	UEPRL	\$2.55				\$3.50	\$31.92	\$7.32											
		2-Wire voice unbundled port with Caller ID - res			UEPRX	UEPRC	\$2.55				\$3.50	\$31.92	\$7.32											
		2-Wire voice unbundled port outgoing only - res			UEPRX	UEPRO	\$2.55				\$3.50	\$31.92	\$7.32											
		2-Wire voice Grade unbundled Louisiana extended local dialing parity port with Caller ID - res			UEPRX	UEPAS	\$2.55				\$3.50	\$31.92	\$7.32											
		2-Wire voice unbundled Louisiana Area Plus with Caller ID - res (RUL)			UEPRX	UEPAG	\$2.55				\$3.50	\$31.92	\$7.32											
		2-Wire voice unbundles res, low usage line port with Caller ID (LUM)			UEPRX	UEPAP	\$2.55				\$3.50	\$31.92	\$7.32											
FEATURES																								
		All Features Offered			UEPRX	UEPVF	\$8.28	\$0.0	\$0.0		\$3.50	\$31.92	\$7.32											
LOCAL NUMBER PORTABILITY																								
		Local Number Portability (1 per port)			UEPRX	LNPCX	\$0.35																	

BELLSOUTH / METROMEDIA FIBER NETWORK SERVICES RATES
Unbundled Network Elements
LOUISIANA

CATEGORY	NOTES	UNBUNDLED NETWORK ELEMENT	Interim	Zone	BCS	USOC	RATES				OSS RATES						
							Rec	First	Add'l	First	Add'l	Svc Order Submitted Elec per LSR	Svc Order Submitted Manually per LSR	Incremental Charge - Manual Svc Order vs. Electronic-1st	Incremental Charge - Manual Svc Order vs. Electronic-Add'l	Incremental Charge - Manual Svc Order vs. Electronic-Disc 1st	Incremental Charge - Manual Svc Order vs. Electronic-Disc Add'l
										Nonrecurring	Nonrecurring						
										Disconnect							
										SOME C	SOMAN	SOMAN	SOMAN	SOMAN	SOMAN		
		NONRECURRING CHARGES (NRCs) - CURRENTLY COMBINED															
		2-Wire Voice Grade Loop / Line Port Combination - Conversion - Switch-as-is			UEPRX	USAC2		\$3.80	\$0.29			\$3.50		\$31.92	\$7.32		
		2-Wire Voice Grade Loop / Line Port Combination - Conversion - Switch with change			UEPRX	USACC		\$3.80	\$0.29			\$3.50		\$31.92	\$7.32		
		2-Wire Voice Grade Loop / Line Port Combination - Conversion - Subsequent Database Update						\$2.11						\$5.12			
		ADDITIONAL NRCs															
		2-Wire Voice Grade Loop/Line Port Combination - Subsequent Activity			UEPRX	USAS2	\$0.0	\$0.0	\$0.0			\$3.50	\$19.99				
		2-WIRE VOICE GRADE LOOP WITH 2-WIRE LINE PORT (BUS)															
		UNE Port/Loop Combination Rates															
		2-Wire VG Loop/Port Combo - Zone 1		1				\$16.60									
		2-Wire VG Loop/Port Combo - Zone 2		2				\$26.69							\$20.00		
		2-Wire VG Loop/Port Combo - Zone 3		3				\$51.85									
		UNE Loop Rates															
		2-Wire Voice Grade Loop (SL1) - Zone 1		1	UEPBX	UEPLX		\$14.05									
		2-Wire Voice Grade Loop (SL1) - Zone 2		2	UEPBX	UEPLX		\$24.14									
		2-Wire Voice Grade Loop (SL1) - Zone 3		3	UEPBX	UEPLX		\$49.30									
		2-Wire Voice Grade Line Port (Bus)															
		2-Wire voice unbundled port without Caller ID - bus			UEPBX	UEPBL		\$2.55				\$3.50		\$31.92	\$7.32		
		2-Wire voice unbundled port with Caller + E484 ID - bus			UEPBX	UEPBC		\$2.55				\$3.50		\$31.92	\$7.32		
		2-Wire voice unbundled port outgoing only - bus			UEPBX	UEPBO		\$2.55				\$3.50		\$31.92	\$7.32		
		2-Wire voice Grade unbundled Louisiana extended local dialing parity port with Caller ID - bus			UEPBX	UEPAX		\$2.55				\$3.50		\$31.92	\$7.32		
		2-Wire voice unbundled incoming only port with Caller ID - Bus			UEPBX	UPEB1		\$2.55				\$3.50		\$31.92	\$7.32		
		2-Wire voice unbundled Louisiana Bus Area Calling Port with Caller ID (BUC)			UEPBX	UEPAA		\$2.55				\$3.50		\$31.92	\$7.32		
		LOCAL NUMBER PORTABILITY															
		Local Number Portability (1 per port)			UEPBX	LNPCX		\$0.35									
		FEATURES															
		All Features Offered			UEPBX	UEPVF		\$8.28	\$0.0	\$0.0				\$31.92	\$7.32		
		NONRECURRING CHARGES (NRCs) - CURRENTLY COMBINED															
		2-Wire Voice Grade Loop / Line Port Combination - Conversion - Switch-as-is			UEPBX	USAC2		\$3.80	\$0.29			\$3.50		\$31.92	\$7.32		
		2-Wire Voice Grade Loop / Line Port Combination - Conversion - Switch with change			UEPBX	USACC		\$3.80	\$0.29			\$3.50		\$31.92	\$7.32		
		2-Wire Voice Grade Loop / Line Port Combination - Conversion - Subsequent Database Update						\$2.11						\$5.12			
		ADDITIONAL NRCs															
		2-Wire Voice Grade Loop/Line Port Combination - Subsequent Activity			UEPBX	USAS2						\$3.50		\$31.92	\$7.32		
		2-WIRE VOICE GRADE LOOP WITH 2-WIRE LINE PORT (RES - PBX)															
		UNE Port/Loop Combination Rates															
		2-Wire VG Loop/Port Combo - Zone 1		1				\$16.60									
		2-Wire VG Loop/Port Combo - Zone 2		2				\$26.69									
		2-Wire VG Loop/Port Combo - Zone 3		3				\$51.85									
		UNE Loop Rates															
		2-Wire Voice Grade Loop (SL 1) - Zone 1		1	UEPRG	UEPLX		\$14.05									

BELLSOUTH / METROMEDIA FIBER NETWORK SERVICES RATES
Unbundled Network Elements
LOUISIANA

CATEGORY	NOTES	UNBUNDLED NETWORK ELEMENT	Interim	Zone	BCS	USOC	RATES				OSS RATES						
							Rec	First	Add'l	First	Add'l	Svc Order Submitted Elec per LSR	Svc Order Submitted Manually per LSR	Incremental Charge - Manual Svc Order vs. Electronic-1st	Incremental Charge - Manual Svc Order vs. Electronic-Add'l	Incremental Charge - Manual Svc Order vs. Electronic-Disc 1st	Incremental Charge - Manual Svc Order vs. Electronic-Disc Add'l
										Nonrecurring	Disconnect						
		2-Wire Voice Grade Loop (SL 1) - Zone 2		2	UEPRG	UEPLX	\$24.14										
		2-Wire Voice Grade Loop (SL 1) - Zone 3		3	UEPRG	UEPLX	\$49.30										
		2-Wire Voice Grade Line Port Rates (RES - PBX)															
		2-Wire VG Unbundled Combination 2-Way PBX Trunk Port - Res			UEPRG	UEPRD	\$2.55				\$3.50		\$31.92	\$7.32			
		LOCAL NUMBER PORTABILITY															
		Local Number Portability (1 per port)			UEPRG	LNPCP	\$3.5										
		FEATURES															
		All Features Offered			UEPRG	UEPVF	\$8.28	\$0.0	\$0.0		\$3.50		\$31.92	\$7.32			
		NONRECURRING CHARGES (NRCs) - CURRENTLY COMBINED															
		2-Wire Voice Grade Loop/ Line Port Combination (PBX) - Conversion - Switch-As-Is			UEPRG	USAC2		\$3.80	\$0.29		\$3.50		\$31.92	\$7.32			
		2-Wire Voice Grade Loop/ Line Port Combination (PBX) - Conversion - Switch with Change			UEPRG	USACC		\$3.80	\$0.29		\$3.50		\$31.92	\$7.32			
		2-Wire Voice Grade Loop / Line Port Combination - Conversion - Subsequent Database Update						\$2.11					\$5.12				
		ADDITIONAL NRCs															
		2-Wire Voice Grade Loop/ Line Port Combination (PBX) - Subsequent Activity			UEPRG	USAS2	\$0.0	\$0.0	\$0.0		\$3.50	\$19.99					
		PBX Subsequent Activity - Change/Rearrange Multiline Hunt Group						\$14.64	\$14.64		\$3.5	\$19.99					
		2-WIRE VOICE GRADE LOOP WITH 2-WIRE LINE PORT (BUS - PBX)															
		UNE Port/Loop Combination Rates															
		2-Wire VG Loop/Port Combo - Zone 1		1			\$16.60										
		2-Wire VG Loop/Port Combo - Zone 2		2			\$26.69										
		2-Wire VG Loop/Port Combo - Zone 3		3			\$51.85										
		UNE Loop Rates															
		2-Wire Voice Grade Loop (SL 1) - Zone 1		1	UEPPX	UEPLX	\$14.05										
		2-Wire Voice Grade Loop (SL 1) - Zone 2		2	UEPPX	UEPLX	\$24.14										
		2-Wire Voice Grade Loop (SL 1) - Zone 3		3	UEPPX	UEPLX	\$49.30										
		2-Wire Voice Grade Line Port Rates (BUS - PBX)															
		Line Side Unbundled Combination 2-Way PBX Trunk Port - Bus			UEPPX	UEPPC	\$2.55				\$3.50		\$31.92	\$7.32			
		Line Side Unbundled Outward PBX Trunk Port - Bus			UEPPX	UEPPO	\$2.55				\$3.50		\$31.92	\$7.32			
		Line Side Unbundled Incoming PBX Trunk Port - Bus			UEPPX	UEPP1	\$2.55				\$3.50		\$31.92	\$7.32			
		2-Wire Voice Unbundled 2-Way Combination PBX Louisiana Calling Port			UEPPX	UEPL2	\$2.55				\$3.50		\$31.92	\$7.32			
		2-Wire Voice Unbundled PBX LD Terminal Ports			UEPPX	UEPLD	\$2.55				\$3.50		\$31.92	\$7.32			
		2-Wire Voice Unbundled 2-Way Combination PBX Usage Port			UEPPX	UEPKA	\$2.55				\$3.50		\$31.92	\$7.32			
		2-Wire Voice Unbundled PBX Toll Terminal Hotel Ports			UEPPX	UEPKB	\$2.55				\$3.50		\$31.92	\$7.32			
		2-Wire Voice Unbundled PBX LD DDD Terminals Port			UEPPX	UEPKC	\$2.55				\$3.50		\$31.92	\$7.32			
		2-Wire Voice Unbundled PBX LD Terminal Switchboard Port			UEPPX	UEPKD	\$2.55				\$3.50		\$31.92	\$7.32			
		2-Wire Voice Unbundled PBX LD Terminal Switchboard IDD Capable Port			UEPPX	UEPKX	\$2.55				\$3.50		\$31.92	\$7.32			
		2-Wire Voice Unbundled 2-Way PBX Louisiana Local Optional Calling Port			UEPPX	UEPKK	\$2.55				\$3.50		\$31.92	\$7.32			
		2-Wire Voice Unbundled 2-Way PBX Hotel/Hospital Economy Administrative Calling Port			UEPPX	UEPKL	\$2.55				\$3.50		\$31.92	\$7.32			
		2-Wire Voice Unbundled 2-Way PBX Hotel/Hospital Economy Room Calling Port			UEPPX	UEPKM	\$2.55				\$3.50		\$31.92	\$7.32			
		2-Wire Voice Unbundled 1-Way Outgoing PBX Hotel/Hospital Discount Room Calling Port			UEPPX	UEPKO	\$2.55				\$3.50		\$31.92	\$7.32			

BELLSOUTH / METROMEDIA FIBER NETWORK SERVICES RATES
Unbundled Network Elements
LOUISIANA

CATEGORY	NOTES	UNBUNDLED NETWORK ELEMENT	Interim	Zone	BCS	USOC	RATES				OSS RATES							
							Rec	First	Add'l	First	Add'l	Svc Order Submitted Elec per LSR	Svc Order Submitted Manually per LSR	Incremental Charge - Manual Svc Order vs. Electronic-1st	Incremental Charge - Manual Svc Order vs. Electronic-Add'l	Incremental Charge - Manual Svc Order vs. Electronic-Disc 1st	Incremental Charge - Manual Svc Order vs. Electronic-Disc Add'l	
										Nonrecurring	Nonrecurring							
											Disconnect							
										SOME C	SOMAN	SOMAN	SOMAN	SOMAN	SOMAN			
		2-Wire Voice Unbundled 1-Way Outgoing PBX Louisiana Local Discount Calling Port			UEPPX	UEXP	\$2.55											
		2-Wire Voice Unbundled 1-Way Outgoing PBX Measured Port			UEPPX	UEPXS	\$2.55				\$3.50		\$31.92	\$7.32				
											\$3.50		\$31.92	\$7.32				
		LOCAL NUMBER PORTABILITY																
		Local Number Portability (1 per port)			UEPPX	LNPCP	\$3.15											
		FEATURES																
		All Features Offered			UEPPX	UEPVF	\$8.28	\$0.0	\$0.0		\$3.50		\$31.92	\$7.32				
		NONRECURRING CHARGES (NRCs) - CURRENTLY COMBINED																
		2-Wire Voice Grade Loop/ Line Port Combination (PBX) - Conversion - Switch-As-Is			UEPPX	USAC2		\$3.80	\$0.29		\$3.50		\$31.92	\$7.32				
		2-Wire Voice Grade Loop/ Line Port Combination (PBX) - Conversion - Switch with Change			UEPPX	USACC		\$3.80	\$0.29		\$3.50		\$31.92	\$7.32				
		2-Wire Voice Grade Loop / Line Port Combination - Conversion - Subsequent Database Update						\$2.11					\$5.12					
		ADDITIONAL NRCs																
		2-Wire Voice Grade Loop/ Line Port Combination (PBX) - Subsequent Activity			UEPPX	USAS2	\$0.0	\$0.0	\$0.0		\$3.50	\$19.99						
		PBX Subsequent Activity - Change/Rearrange Multi-line Hunt Group						\$14.64	\$14.64		\$3.5	\$19.99						
		2-WIRE VOICE GRADE LOOP WITH 2-WIRE ANALOG LINE COIN PORT																
		UNE Port/Loop Combination Rates																
		2-Wire VG Coin Port/Loop Combo – Zone 1						\$16.79										
		2-Wire VG Coin Port/Loop Combo – Zone 2						\$26.88										
		2-Wire VG Coin Port/Loop Combo – Zone 3						\$52.04										
		UNE Loop Rates																
		2-Wire Voice Grade Loop (SL1) - Zone 1			UEPCO	UEPLX	\$14.05											
		2-Wire Voice Grade Loop (SL1) - Zone 2			UEPCO	UEPLX	\$24.14											
		2-Wire Voice Grade Loop (SL1) - Zone 3			UEPCO	UEPLX	\$49.30											
		2-Wire Voice Grade Line Ports (COIN)																
		2-Wire Coin 2-Way without Operator Screening and without Blocking (AL, KY, LA, MS)			UEPCO	UEPRF	\$2.74				\$3.5		\$31.92	\$7.32				
		2-Wire Coin 2-Way with Operator Screening and Blocking: 011, 900/976, 1+DDD (AL, KY, LA, MS)			UEPCO	UEPRA	\$2.74				\$3.5		\$31.92	\$7.32				
		2-Wire Coin 2-Way with Operator Screening and 011 Blocking (AL, LA, MS)			UEPCO	UEPRB	\$2.74				\$3.5		\$31.92	\$7.32				
		2-Wire Coin 2-Way with Operator Screening & Blocking: 900/976, 1+DDD, 011+, & Local (AL, KY, LA, MS)			UEPCO	UEPCD	\$2.74				\$3.5		\$31.92	\$7.32				
		2-Wire Coin Outward without Blocking and without Operator Screening (KY, LA, MS)			UEPCO	UEPRN	\$2.74				\$3.5		\$31.92	\$7.32				
		2-Wire Coin Outward with Operator Screening and 011 Blocking (LA)			UEPCO	UEPLA	\$2.74				\$3.5		\$31.92	\$7.32				
		2-Wire Coin Outward with Operator Screening and Blocking: 011, 900/976, 1+DDD (AL, KY, LA, MS)			UEPCO	UEPRH	\$2.74				\$3.5		\$31.92	\$7.32				
		2-Wire Coin Outward Operator Screening & Blocking: 900/976, 1+DDD, 011+, and Local (AL, KY, LA, MS)			UEPCO	UEPCN	\$2.74				\$3.5		\$31.92	\$7.32				
		2-Wire Coin 2-Way Smartline with 900/976 (Louisiana only)			UEPCO	UEPNA	\$2.74				\$3.5		\$31.92	\$7.32				
		2-Wire Coin Outward Smartline with 900/976 (Louisiana only)			UEPCO	UEPCB	\$2.74				\$3.5		\$31.92	\$7.32				
		ADDITIONAL UNE COIN PORT/LOOP (RC)																
		UNE Coin Port/Loop Combo Usage (Flat Rate)			UEPCO	URECU	\$1.81	\$0.0	\$0.0									
		LOCAL NUMBER PORTABILITY																

BELLSOUTH / METROMEDIA FIBER NETWORK SERVICES RATES
Unbundled Network Elements
LOUISIANA

CATEGORY	NOTES	UNBUNDLED NETWORK ELEMENT	Interim	Zone	BCS	USOC	RATES				OSS RATES										
							Rec	First	Add'l	First	Add'l	Nonrecurring	Nonrecurring	Disconnect	Svc Order Submitted Elec per LSR	Svc Order Submitted Manually per LSR	Incremental Charge - Manual Svc Order vs. Electronic-1st	Incremental Charge - Manual Svc Order vs. Electronic-Add'l	Incremental Charge - Manual Svc Order vs. Electronic-Disc 1st	Incremental Charge - Manual Svc Order vs. Electronic-Disc Add'l	
		Local Number Portability (1 per port)			UEPCO	LNPCX	\$0.35														
		NONRECURRING CHARGES - CURRENTLY COMBINED																			
		2-Wire Voice Grade Loop / Line Port Combination - Conversion - Switch-as-is			UEPCO	USAC2		\$3.80	\$0.29			\$3.5	\$31.92	\$7.32							
		2-Wire Voice Grade Loop / Line Port Combination - Conversion - Switch with change			UEPCO	USACC		\$3.80	\$0.29			\$3.5	\$31.92	\$7.32							
		ADDITIONAL NRCs																			
		2-Wire Voice Grade Loop/Line Port Combination - Subsequent Activity			UEPCO	USAS2		\$0.0	\$0.0			\$3.5	\$31.92	\$7.32							
		2-WIRE VOICE GRADE LOOP- BUS ONLY - WITH 2-WIRE DID TRUNK PORT																			
		UNE Port/Loop Combination Rates																			
		2-Wire VG Loop/2-Wire DID Trunk Port Combo - UNE Zone 1		1			\$28.99														
		2-Wire VG Loop/2-Wire DID Trunk Port Combo - UNE Zone 2		2			\$35.35														
		2-Wire VG Loop/2-Wire DID Trunk Port Combo - UNE Zone 3		3			\$49.88														
		UNE Loop Rates																			
		2-Wire Analog Voice Grade Loop - (SL2) - UNE Zone 1		1	UEPPX	UECD1	\$19.50	\$210.21	\$135.21	\$105.01	\$20.41		\$19.99								
		2-Wire Analog Voice Grade Loop - (SL2) - UNE Zone 2		2	UEPPX	UECD1	\$25.86	\$210.06	\$135.21	\$105.01	\$20.41		\$19.99								
		2-Wire Analog Voice Grade Loop - (SL2) - UNE Zone 3		3	UEPPX	UECD1	\$40.39	\$210.06	\$135.21	\$105.21	\$20.41		\$19.99								
		UNE Port Rate																			
		Exchange Ports - 2-Wire DID Port			UEPPX	UEPD1	\$9.49	\$238.35	\$37.44	\$121.38	\$7.63		\$19.99								
		NONRECURRING CHARGES - CURRENTLY COMBINED																			
		2-Wire Voice Grade Loop / 2-Wire DID Trunk Port Combination - Switch-as-is			UEPPX	USAC1		\$14.60	\$3.72				\$19.99								
		2-Wire Voice Grade Loop / 2-Wire DID Trunk Port Conversion with BellSouth Allowable Changes			UEPPX	USA1C		\$14.60	\$3.72				\$19.99								
		ADDITIONAL NRCs																			
		2-Wire DID Subsequent Activity - Add Trunks, Per Trunk			UEPPX	USAS1		\$53.50	\$53.50				\$19.99								
		Telephone Number/Trunk Group Establishment Charges																			
		DID Trunk Termination (One Per Port)			UEPPX	NDT	\$0.00	\$0.00	\$0.00				\$19.99								
		Additional DID Numbers for each Group of 20 DID Numbers			UEPPX	ND4	\$0.00	\$0.00	\$0.00				\$19.99								
		DID Numbers, Non- consecutive DID Numbers , Per Number			UEPPX	ND5	\$0.00	\$0.00	\$0.00				\$19.99								
		Reserve Non-Consecutive DID numbers			UEPPX	ND6	\$0.00	\$0.00	\$0.00				\$19.99								
		Reserve DID Numbers			UEPPX	NDV	\$0.00	\$0.00	\$0.00				\$19.99								
		LOCAL NUMBER PORTABILITY																			
		Local Number Portability (1 per port)			UEPPX	LNPCP	\$3.15														
		2-WIRE ISDN DIGITAL GRADE LOOP WITH 2-WIRE ISDN DIGITAL LINE SIDE PORT																			
		UNE Port/Loop Combination Rates																			
		2W ISDN Digital Grade Loop/2W ISDN Digital Line Side Port - UNE Zone 1		1	UEPPB	UEPPR	\$34.43														
		2W ISDN Digital Grade Loop/2W ISDN Digital Line Side Port - UNE Zone 2		2	UEPPB	UEPPR	\$43.62														
		2W ISDN Digital Grade Loop/2W ISDN Digital Line Side Port - UNE Zone 3		3	UEPPB	UEPPR	\$58.76														
		UNE Loop Rates																			
		2-Wire ISDN Digital Grade Loop - UNE Zone 1		1	UEPPB	UEPPR	USL2X	\$24.92	\$233.18	\$158.33	\$105.04	\$20.41		\$19.99							
		2-Wire ISDN Digital Grade Loop - UNE Zone 2		2	UEPPB	UEPPR	USL2X	\$33.11	\$233.18	\$158.33	\$105.01	\$20.41		\$19.99							

BELLSOUTH / METROMEDIA FIBER NETWORK SERVICES RATES
Unbundled Network Elements
LOUISIANA

CATEGORY	NOTES	UNBUNDLED NETWORK ELEMENT	Interim	Zone	BCS	USOC	RATES					OSS RATES							
							Rec	First	Add'l	First	Add'l	Svc Order Submitted Elec per LSR	Svc Order Submitted Manually per LSR	Incremental Charge - Manual Svc Order vs. Electronic-1st	Incremental Charge - Manual Svc Order vs. Electronic-Add'l	Incremental Charge - Manual Svc Order vs. Electronic-Disc 1st	Incremental Charge - Manual Svc Order vs. Electronic-Disc Add'l		
										Nonrecurring									
											Disconnect								
		2-Wire ISDN Digital Grade Loop - UNE Zone 3		3	UEPPB UEPPR	USLZX	\$49.25	\$223.18	\$158.33	\$105.01	\$20.41		\$19.99						
	UNE Port Rate																		
		Exchange Port - 2-Wire ISDN Line Side Port			UEPPB UEPPR	UEPPB	\$9.51	\$145.38	\$105.86	\$95.47	\$21.45		\$19.99						
		NONRECURRING CHARGES - CURRENTLY COMBINED																	
		2-Wire ISDN Digital Grade Loop / 2-Wire ISDN Line Side Port Combination - Conversion			UEPPB UEPPR	USACB	\$0.0	\$76.93	\$53.97				\$19.99						
		ADDITIONAL NRCs																	
		LOCAL NUMBER PORTABILITY																	
		Local Number Portability (1 per port)			UEPPB UEPPR	LNPCX	\$0.35	\$0.00	\$0.00										
		B-CHANNEL USER PROFILE ACCESS:																	
		CVS/CSD (DMS/5ESS)			UEPPB UEPPR	U1UCA	\$0.00	\$0.00	\$0.00										
		CVS (EWSD)			UEPPB UEPPR	U1UCB	\$0.00	\$0.00	\$0.00										
		CSD			UEPPB UEPPR	U1UCC	\$0.00	\$0.00	\$0.00										
		B-CHANNEL AREA PLUS USER PROFILE ACCESS: (AL,KY,LA,MS SC,MS, & TN)																	
		CVS/CSD (DMS/5ESS)			UEPPB UEPPR	U1UCD	\$0.00	\$0.00	\$0.00										
		CVS (EWSD)			UEPPB UEPPR	U1UCE	\$0.00	\$0.00	\$0.00										
		CSD			UEPPB UEPPR	U1UCF	\$0.00	\$0.00	\$0.00										
		USER TERMINAL PROFILE																	
		User Terminal Profile (EWSD only)			UEPPB UEPPR	U1UMA	\$0.00	\$0.00	\$0.00										
		VERTICAL FEATURES																	
		All Vertical Features - One per Channel B User Profile			UEPPB UEPPR	UEPVF	\$8.28	\$0.00	\$0.00										
		INTEROFFICE CHANNEL MILEAGE																	
		Interoffice Channel mileage each, including first mile and facilities termination			UEPPB UEPPR	M1GNC	\$18.40	\$76.20	\$34.54				\$0.0						
		Interoffice Channel mileage each, additional mile			UEPPB UEPPR	M1GNM	\$0.0384	\$0.00	\$0.00				\$0.0	\$0.0					
		4-WIRE DS1 DIGITAL LOOP WITH 4-WIRE ISDN DS1 DIGITAL TRUNK PORT																	
		UNE Port/Loop Combination Rates																	
		4W DS1 Digital Loop/4W ISDN DS1 Digital Trunk Port - UNE Zone 1		1	UEPPP		\$207.97												
		4W DS1 Digital Loop/4W ISDN DS1 Digital Trunk Port - UNE Zone 2		2	UEPPP		\$236.26												
		4W DS1 Digital Loop/4W ISDN DS1 Digital Trunk Port - UNE Zone 3		3	UEPPP		\$450.74												
		UNE Loop Rates																	
		4-Wire DS1 Digital Loop - UNE Zone 1		1	UEPPP	USL4P	\$100.42	\$504.38	\$314.73	\$90.59	\$23.72		\$19.99						
		4-Wire DS1 Digital Loop - UNE Zone 2		2	UEPPP	USL4P	\$128.71	\$504.38	\$314.73	\$90.59	\$23.72		\$19.99						
		4-Wire DS1 Digital Loop - UNE Zone 3		3	UEPPP	USL4P	\$343.19	\$504.38	\$314.73	\$90.59	\$23.72		\$19.99						
		UNE Port Rate																	
		Exchange Ports - 4-Wire ISDN DS1 Port			UEPPP	UEPPP	\$107.55	\$407.19	\$202.89	\$160.46	\$40.65		\$19.99						
		NONRECURRING CHARGES - CURRENTLY COMBINED																	
		4-Wire DS1 Digital Loop / 4-Wire ISDN DS1 Digital Trunk Port Combination - Conversion -Switch-as-is			UEPPP	USACP	\$0.00	\$237.88	\$156.94				\$19.99						
		ADDITIONAL NRCs																	

BELLSOUTH / METROMEDIA FIBER NETWORK SERVICES RATES
Unbundled Network Elements
LOUISIANA

CATEGORY	NOTES	UNBUNDLED NETWORK ELEMENT	Interim	Zone	BCS	USOC	RATES					OSS RATES						
							Rec	First	Add'l	First	Add'l	Svc Order Submitted Elec per LSR	Svc Order Submitted Manually per LSR	Incremental Charge - Manual Svc Order vs. Electronic-1st	Incremental Charge - Manual Svc Order vs. Electronic-Add'l	Incremental Charge - Manual Svc Order vs. Electronic-Disc 1st	Incremental Charge - Manual Svc Order vs. Electronic-Disc Add'l	
								Nonrecurring		Nonrecurring								
										Disconnect								
										SOMECH	SOMAN	SOMAN	SOMAN	SOMAN	SOMAN			
		4-Wire DS1 Loop/4-W ISDN Digt Trk Port - Subsqct Actvy-Inward/two way tel nos within Std Allowance			UEPPP	PR7TF		\$0.979				\$19.99						
		4-Wire DS1 Loop / 4-Wire ISDN DS1 Digital Trunk Port - Outward Tel Numbers (All States except NC)			UEPPP	PR7TO		\$22.99	\$22.99			\$19.99						
		4-Wire DS1 Loop / 4-Wire ISDN DS1 Digital Trk Port - Subsequent Inward Tel Nos Above Std Allowance			UEPPP	PR7ZT		\$45.98	\$45.98			\$19.99						
LOCAL NUMBER PORTABILITY																		
		Local Number Portability (1 per port)			UEPPP	LNPCN		\$1.75										
INTERFACE (Provisioning Only)																		
		Voice/Data			UEPPP	PR71V	\$0.00	\$0.00	\$0.00									
		Digital Data			UEPPP	PR71D	\$0.00	\$0.00	\$0.00									
		Inward Data			UEPPP	PR71E	\$0.00	\$0.00	\$0.00									
New or Additional "B" Channel																		
		New or Additional - Voice/Data B Channel			UEPPP	PR7BV	\$0.00	\$29.01				\$19.99						
		New or Additional - Digital Data B Channel			UEPPP	PR7BF	\$0.00	\$29.01				\$19.99						
		New or Additional Inward Data B Channel			UEPPP	PR7BD	\$0.00	\$29.01				\$19.99						
		New or Additional Usage Sensitive Voice Data B Channel			UEPPP	PR7BS	\$0.00	\$29.01				\$19.19						
		New or Additional Usage Sensitive Digital Data B Channel			UEPPP	PR7BU	\$0.00	\$29.01				\$19.99						
CALL TYPES																		
		Inward			UEPPP	PR7C1	\$0.00	\$0.0	\$0.00									
		Outward			UEPPP	PR7C0	\$0.00	\$0.00	\$0.00									
		Two-way			UEPPP	PR7CC	\$0.00	\$0.00	\$0.00									
Interoffice Channel Mileage																		
		Fixed Each Including First Mile			UEPPP	1LN1A	\$94.1831	\$140.49	\$106.69	\$20.00		\$19.99						
		Each Airline-Fractional Additional Mile			UEPPP	1LN1B	\$0.7831											
4-WIRE DS1 DIGITAL LOOP WITH 4-WIRE DDITS TRUNK PORT																		
UNE Port/Loop Combination Rates																		
		4W DS1 Digital Loop/4W DDITS Trunk Port - UNE Zone 1	1		UEPDC		\$178.08											
		4W DS1 Digital Loop/4W DDITS Trunk Port - UNE Zone 2	2		UEPDC		\$206.37					\$19.99						
		4W DS1 Digital Loop/4W DDITS Trunk Port - UNE Zone 3	3		UEPDC		\$420.85					\$19.99						
UNE Loop Rates																		
		4-Wire DS1 Digital Loop - UNE Zone 1	1		UEPDC	USLDC	\$100.42	\$504.38	\$314.73	\$90.59	\$23.72	\$19.99						
		4-Wire DS1 Digital Loop - UNE Zone 2	2		UEPDC	USLDC	\$128.71	\$504.38	\$314.73	\$90.59	\$23.72	\$19.99						
		4-Wire DS1 Digital Loop - UNE Zone 3	3		UEPDC	USLDC	\$343.19	\$504.38	\$314.73	\$90.59	\$23.72	\$19.99						
UNE Port Rate																		
		4-Wire DDITS Digital Trunk Port			UEPDC	UDD1T	\$77.66	\$403.61	\$191.17	\$147.11	\$4.98	\$19.99						
NONRECURRING CHARGES - CURRENTLY COMBINED																		
		4-Wire DS1 Digital Loop / 4-Wire DDITS Trunk Port Combination - Switch-as-is			UEPDC	USAC4		\$266.76	\$123.16			\$19.99						
		4-Wire DS1 Digital Loop / 4-Wire DDITS Trunk Port Combination - Conversion with DS1 Changes			UEPDC	USAWA		\$266.76	\$123.16			\$19.99						
		4-Wire DS1 Digital Loop / 4-Wire DDITS Trunk Port Combination - Conversion with Change - Trunk			UEPDC	USAWB		\$266.76	\$123.16			\$19.99						
ADDITIONAL NRCs																		
		4-Wire DS1 Loop / 4-Wire DDITS Trunk Port - NRC - Subsequent Channel Activation/Chan - 2-Way Trunk			UEPDC	UDTTA		\$26.60	\$26.60			\$19.99						
		4-Wire DS1 Loop / 4-Wire DDITS Trunk Port - Subsequent Channel Activation/Chan - 1-Way Outward Trunk			UEPDC	UDTTB		\$26.60	\$26.60			\$19.99						

BELLSOUTH / METROMEDIA FIBER NETWORK SERVICES RATES
Unbundled Network Elements
LOUISIANA

CATEGORY	NOTES	UNBUNDLED NETWORK ELEMENT	Interim	Zone	BCS	USOC	RATES				OSS RATES															
							Rec	First	Add'l	First	Add'l	SOME C	SOMAN	SOMAN	SOMAN	SOMAN	SOMAN	SOMAN								
																			Nonrecurring	Nonrecurring	Nonrecurring	Nonrecurring	Nonrecurring	Nonrecurring	Nonrecurring	Nonrecurring
																			Disconnect	Disconnect	Disconnect	Disconnect	Disconnect	Disconnect	Disconnect	Disconnect
Svc Order Submitted Elec per LSR	Svc Order Submitted Manually per LSR	Incremental Charge - Manual Svc Order vs. Electronic-1st	Incremental Charge - Manual Svc Order vs. Electronic-Add'l	Incremental Charge - Manual Svc Order vs. Electronic-Disc 1st	Incremental Charge - Manual Svc Order vs. Electronic-Disc Add'l																					
		4-Wire DS1 Loop / 4-Wire DDITS Trunk Port - Subsqt Channel Activation/Chan Inward Trunk w/out DID			UEPDC	UDTTC		\$26.60	\$26.60			\$19.99														
		4-Wire DS1 Loop / 4-Wire DDITS Trunk Port - Subsqt Chan Activation Per Chan - Inward Trunk with DID			UEPDC	UDTTD		\$26.60	\$26.60																	
		4-Wire DS1 Loop / 4-Wire DDITS Trunk Port - Subsqt Chan Activation / Chan - 2-Way DID w User Trans			UEPDC	UDTTE		\$26.60	\$26.60			\$19.99														
		BIPOLAR 8 ZERO SUBSTITUTION																								
		B8ZS - Superframe Format			UEPDC	CCOSF		\$0.0	\$605.00			\$19.99														
		B8ZS - Extended Superframe Format			UEPDC	CCOEF		\$0.0	\$605.00			\$19.99														
		Alternate Mark Inversion																								
		AMI -Superframe Format			UEPDC	MCOSF		\$0.00	\$0.00																	
		AMI - Extended SuperFrame Format			UEPDC	MCOPO		\$0.00	\$0.00																	
		Telephone Number/Trunk Group Establishment Charges																								
		Telephone Number for 2-Way Trunk Group			UEPDC	UDTGX		\$0.00																		
		Telephone Number for 1-Way Outward Trunk Group			UEPDC	UDTGY		\$0.00				\$19.99														
		Telephone Number for 1-Way Inward Trunk Group Without DID			UEPDC	UDTGZ		\$0.00				\$19.99														
		DID Numbers for each Group of 20 DID Numbers			UEPDC	ND4		\$0.00				\$19.99														
		DID Numbers, Non- consecutive DID Numbers , Per Number			UEPDC	ND5		\$0.00				\$19.99														
		Reserve Non-Consecutive DID Nos.			UEPDC	ND6		\$0.00	\$0.00			\$19.99														
		Reserve DID Numbers			UEPDC	NDV		\$0.00	\$0.00			\$19.99														
		Dedicated DS1 (Interoffice Channel Mileage) - FX/FCO for 4-Wire DS1 Digital Loop with 4-Wire DDITS Trunk Port																								
		Interoffice Channel Mileage - Fixed rate 0-8 miles (Facilities Termination)			UEPDC	1LNO1		\$93.40	\$140.49	\$106.69	\$20.00	\$16.34		\$19.99												
		Interoffice Channel Mileage - Additional rate per mile - 0-8 miles			UEPDC	1LNOA		\$0.7831	\$0.00	\$0.00				\$19.99												
		Interoffice Channel Mileage - Fixed rate 9-25 miles (Facilities Termination)			UEPDC	1LNO2		\$0.0000	\$0.00	\$0.00																
		Interoffice Channel Mileage - Additional rate per mile - 9-25 miles			UEPDC	1LNOB		\$0.7831	\$0.00	\$0.00																
		Interoffice Channel Mileage - Fixed rate 25+ miles (Facilities Termination)			UEPDC	1LNO3		\$0.00	\$0.00	\$0.00	\$0.00															
		Interoffice Channel Mileage - Additional rate per mile - 25+ miles			UEPDC	1LNOG		\$0.7831	\$0.00	\$0.00																
		Local Number Portability, per DS0 Activated			UEPDC	LNPCP		\$3.15	\$0.00	\$0.00	\$0.00															
		Central Office Terminating Point			UEPDC	CTG		\$0.00																		
		4-WIRE DS1 LOOP WITH CHANNELIZATION WITH PORT																								
		System is 1 DS1 Loop, 1 D4 Channel Bank, and up to 24 Feature Activations																								
		Each System can have up to 24 combinations of rates depending on type and number of ports used																								
		UNE DS1 Loop																								
		4-Wire DS1 Loop - UNE Zone 1			UEPMG	USLDC		\$100.42	\$0.00	\$0.00			\$19.99													
		4-Wire DS1 Loop - UNE Zone 2			UEPMG	USLDC		\$128.71	\$0.00	\$0.00			\$19.99													
		4-Wire DS1 Loop - UNE Zone 3			UEPMG	USLDC		\$343.19	\$0.00	\$0.00			\$19.99													
		UNE DSO Channelization Capacities (D4 Channel Bank Configurations)																								
		24 DSO Channel Capacity - 1 per DS1			UEPMG	VUM24		\$112.51	\$0.00	\$0.00			\$19.99													
		48 DSO Channel Capacity - 1 per 2 DS1s			UEPMG	VUM48		\$225.02	\$0.00	\$0.00			\$19.99													
		96 DSO Channel Capacity - 1per 4 DS1s			UEPMG	VUM96		\$450.04	\$0.00	\$0.00			\$19.99													
		144 DSO Channel Capacity - 1 per 6 DS1s			UEPMG	VUM14		\$675.06	\$0.00	\$0.00			\$19.99													
		192 DSO Channel Capacity -1 per 8 DS1s			UEPMG	VUM19		\$900.08	\$0.00	\$0.00			\$19.99													

BELLSOUTH / METROMEDIA FIBER NETWORK SERVICES RATES
 Unbundled Network Elements
 LOUISIANA

CATEGORY	NOTES	UNBUNDLED NETWORK ELEMENT	Interim	Zone	BCS	USOC	RATES					OSS RATES							
							Rec	First	Add'l	First	Add'l	SOME C	SOMAN	SOMAN	SOMAN	SOMAN	SOMAN	SOMAN	
							Nonrecurring			Nonrecurring									
										Disconnect									
							Svc Order Submitted Elec per LSR	Svc Order Submitted Manually per LSR	Incremental Charge - Manual Svc Order vs. Electronic-1st	Incremental Charge - Manual Svc Order vs. Electronic-Add'l	Incremental Charge - Manual Svc Order vs. Electronic-Disc 1st	Incremental Charge - Manual Svc Order vs. Electronic-Disc Add'l							
		240 DS0 Channel Capacity - 1 per 10 DS1s			UEPMG	VUM20	\$1,125.10	\$0.00	\$0.00										
		288 DS0 Channel Capacity - 1 per 12 DS1s			UEPMG	VUM28	\$1,350.12	\$0.00	\$0.00										
		384 DS0 Channel Capacity - 1 per 16 DS1s			UEPMG	VUM38	\$1,800.16	\$0.00	\$0.00										
		480 DS0 Channel Capacity - 1 per 20 DS1s			UEPMG	VUM40	\$2,250.20	\$0.00	\$0.00										
		576 DS0 Channel Capacity -1 per 24 DS1s			UEPMG	VUM57	\$2,700.24	\$0.00	\$0.00										
		672 DS0 Channel Capacity - 1 per 28 DS1s			UEPMG	VUM67	\$3,150.28	\$0.00	\$0.00										
		Non-Recurring Charges (NRC) Associated with 4-Wire DS1 Loop with Channelization with Port - Conversion Charge Based on a System																	
		A Minimum System configuration is One (1) DS1, One (1) D4 Channel Bank, and Up To 24 DSO Ports with Feature Activations.																	
		Multiples of this configuration functioning as one are considered Add'l after the minimum system configuration is counted.																	
		NRC - Conversion (Currently Combined) with or without BellSouth Allowed Changes			UEPMG	USAC4	\$0.00	\$300.63	\$16.70										
		System Additions at End User Locations Where 4-Wire DS1 Loop with Channelization with Port Combination Currently Exists and New (Not Currently Combined) In Georgia Only																	
		NRC - 1 DS1/D4 Channel Bank - Add NRC for each Port and Assoc Feature Activation - New GA Only			UEPMG	VUMD4	\$0.00	\$715.54	\$467.54	\$148.34	\$17.63								
		Bipolar 8 Zero Substitution																	
		Clear Channel Capability Format, superframe - Subsequent Activity Only			UEPMG	CCOSF	\$0.00	\$0.00	\$605.00										
		Clear Channel Capability Format - Extended Superframe - Subsequent Activity Only			UEPMG	CCOEF	\$0.00	\$0.00	\$605.00										
		Alternate Mark Inversion (AMI)																	
		Superframe Format			UEPMG	MCOSF	\$0.00	\$0.00	\$0.00										
		Extended Superframe Format			UEPMG	MCOPO	\$0.00	\$0.00	\$0.00										
		Exchange Ports Associated with 4-Wire DS1 Loop with Channelization with Port																	
		Exchange Ports																	
		Line Side Combination Channelized PBX Trunk Port - Business			UEPPX	UEPCX	\$1.72	\$0.00	\$0.00	\$0.00	\$0.00								
		Line Side Outward Channelized PBX Trunk Port - Business			UEPPX	UEPOX	\$1.72	\$0.00	\$0.00	\$0.00	\$0.00								
		Line Side Inward Only Channelized PBX Trunk Port without DID			UEPPX	UEP1X	\$1.72	\$0.00	\$0.00	\$0.00	\$0.00								
		2-Wire Trunk Side Unbundled Channelized DID Trunk Port			UEPPX	UEPDM	\$9.52	\$0.00	\$0.00	\$0.00	\$0.00								
		Feature Activations - Unbundled Loop Concentration																	
		Feature (Service) Activation for each Line Side Port Terminated in D4 Bank			UEPPX	1PQWM	\$0.75	\$25.36	\$13.40	\$4.47	\$4.24								
		Feature (Service) Activation for each Trunk Side Port Terminated in D4 Bank			UEPPX	1PQWU	\$0.75	\$78.05	\$18.40	\$60.03	\$11.73								
		Telephone Number/ Group Establishment Charges for DID Service																	
		DID Trunk Termination (1 per Port)			UEPPX	NDT	\$0.00												
		DID Numbers - groups of 20 - Valid all States			UEPPX	ND4	\$0.00	\$0.00	\$0.00										
		Non-Consecutive DID Numbers - per number			UEPPX	ND5	\$0.00	\$0.00	\$0.00										
		Reserve Non-Consecutive DID Numbers			UEPPX	ND6	\$0.00	\$0.00	\$0.00	\$0.00									
		Reserve DID Numbers			UEPPX	NDV	\$0.00	\$0.00	\$0.00										
		Local Number Portability																	
		Local Number Portability - 1 per port			UEPPX	LNPCP	\$3.15	\$0.00	\$0.00										
		FEATURES - Vertical and Optional																	
		Local Switching Features Offered with Line Side Ports Only																	

BELLSOUTH / METROMEDIA FIBER NETWORK SERVICES RATES
Unbundled Network Elements
LOUISIANA

CATEGORY	NOTES	UNBUNDLED NETWORK ELEMENT	Interim	Zone	BCS	USOC	RATES					OSS RATES						
							Rec	First	Add'l	First	Add'l	Svc Order Submitted Elec per LSR	Svc Order Submitted Manually per LSR	Incremental Charge - Manual Svc Order vs. Electronic-1st	Incremental Charge - Manual Svc Order vs. Electronic-Add'l	Incremental Charge - Manual Svc Order vs. Electronic-Disc 1st	Incremental Charge - Manual Svc Order vs. Electronic-Disc Add'l	
								Nonrecurring		Nonrecurring								
									Disconnect									
	All Features Available			UEPPX	UEPVF	\$8.28	\$0.00	\$0.00			SOMEK	SOMAN	SOMAN	SOMAN	SOMAN	SOMAN	\$19.99	

BELLSOUTH / METROMEDIA FIBER NETWORK SERVICES RATES
Unbundled Network Elements
MISSISSIPPI

CATEGORY	NOTES	UNBUNDLED NETWORK ELEMENT	Interim	Zone	BCS	USOC	RATES					OSS RATES						
							Rec	First	Add'l	First	Add'l	Svc Order Submitted Elec per LSR	Svc Order Submitted Manually per LSR	Incremental Charge - Manual Svc Order vs. Electronic-1st	Incremental Charge - Manual Svc Order vs. Electronic-Add'l	Incremental Charge - Manual Svc Order vs. Electronic-Disc 1st	Incremental Charge - Manual Svc Order vs. Electronic-Disc Add'l	
										Nonrecurring	Disconnect							
Geographically Deaveraged UNE Zones and applicable rates have been established for certain services, as shown in this Agreement. Where Geographically Deaveraged UNE Zones and applicable rates are established, Statewide rates are obsolete. Further, BellSouth is in the process of enhancing its billing systems in order to accommodate this Geographically Deaveraged UNE Zone Rate Structure. Until these enhancements are accomplished, estimated to be mid 2001, the UNE Zone 1 rate will be billed for all services residing in Zones 1, 2, 3 or 4, i.e., Rates for services residing in UNE Zones 2, 3 and UNE Zone 4, where applicable, will not be billed. Once billing enhancements are complete, all applicable UNE Zone rates reflected in this Agreement will be billed. Reference Internet Website http://www.interconnection.bellsouth.com/become_clec/docs/interconnection/deavuzns.pdf to view Geographically Deaveraged UNE Zone Designations by Central Office.																		
UNBUNDLED LOCAL EXCHANGE SWITCHING(PORTS)																		
Exchange Ports																		
NOTE: Although the Port Rate includes all available features in GA & TN, the desired features will need to be ordered using retail USOCs																		
2-WIRE VOICE GRADE LINE PORT RATES (RES)																		
		Exchange Ports - 2-Wire Analog Line Port- Res.			UEPSR	UEPRL	\$2.11	\$22.98	\$22.98	\$6.56	\$6.56	\$3.50	\$25.52	\$11.34	\$16.06	\$16.06		
		Exchange Ports - 2-Wire Analog Line Port with Caller ID - Res.			UEPSR	UEPRC	\$2.11	\$22.98	\$22.98	\$6.56	\$6.56	\$3.50	\$25.52	\$11.34	\$16.06	\$16.06		
		Exchange Ports - 2-Wire Analog Line Port outgoing only - Res.			UEPSR	UEPRO	\$2.11	\$22.98	\$22.98	\$6.56	\$6.56	\$3.50	\$25.52	\$11.34	\$16.06	\$16.06		
		Exchange Ports - 2-Wire VG unbundled MS extended local dialing parity Port with Caller ID - Res.			UEPSR	UEPAT	\$2.11	\$22.98	\$22.98	\$6.56	\$6.56	\$3.50	\$25.52	\$11.34	\$16.06	\$16.06		
		Exchange Ports - 2-Wire VG unbundled res, low usage line port with Caller ID (LUM)			UEPSR	UEPAP	\$2.11	\$22.98	\$22.98	\$6.56	\$6.56	\$3.50	\$25.52	\$11.34	\$16.06	\$16.06		
		Subsequent Activity			UEPSR	USASC	\$0.0	\$0.0	\$0.0			\$3.50	\$19.99					
		FEATURES																
		All Available Vertical Features			UEPSR	UEPVF	\$6.75	\$0.0	\$0.0			\$3.5	\$25.52	\$11.34	\$16.06	\$16.06		
2-WIRE VOICE GRADE LINE PORT RATES (BUS)																		
		Exchange Ports - 2-Wire Analog Line Port without Caller ID - Bus			UEPSB	UEPBL	\$2.11	\$22.98	\$22.98	\$6.56	\$6.56	\$3.50	\$25.52	\$11.34	\$16.06	\$16.06		
		Exchange Ports - 2-Wire VG unbundled Line Port with unbundled port with Caller+E484 ID - Bus.			UEPSB	UEPBC	\$2.11	\$22.98	\$22.98	\$6.56	\$6.56	\$3.50	\$25.52	\$11.34	\$16.06	\$16.06		
		Exchange Ports - 2-Wire Analog Line Port outgoing only - Bus.			UEPSB	UEPBO	\$2.11	\$22.98	\$22.98	\$6.56	\$6.56	\$3.50	\$25.52	\$11.34	\$16.06	\$16.06		
		Exchange Ports - 2-Wire VG unbundled MS extended local dialing parity Port with Caller ID - Bus.			UEPSB	UEPAY	\$2.11	\$22.98	\$22.98	\$6.56	\$6.56	\$3.50	\$25.52	\$11.34	\$16.06	\$16.06		
		Exchange Ports - 2-Wire VG unbundled incoming only port with Caller ID - Bus			UEPSB	UEPB1	\$2.11	\$22.98	\$22.98	\$6.56	\$6.56	\$3.50	\$25.52	\$11.34	\$16.06	\$16.06		
		Subsequent Activity			UEPSB	USASC	\$0.0	\$0.0	\$0.0			\$3.50	\$19.99					
		FEATURES																
		All Available Vertical Features			UEPSB	UEPVF	\$6.75	\$0.0	\$0.0			\$3.50	\$25.52	\$11.34	\$16.06	\$16.06		
EXCHANGE PORT RATES (DID & PBX)																		
		Exchange Ports - 2-Wire DID Port			UEPEX	UEPP2	\$9.43	\$238.29	\$37.43	\$122.66	\$7.71	\$3.50	\$25.52	\$11.34	\$16.06	\$16.06		
		Exchange Ports - DDITS Port - 4-Wire DS1 Port with DID capability			UEPDD	UEPDD	\$72.96	\$403.50	\$191.12	\$148.66	\$5.04	\$19.99						
		Exchange Ports - 2-Wire ISDN Port (See Notes below.)			UEPTX	UEPSX	\$17.14	\$145.35	\$105.83	\$95.12	\$21.37	\$3.50	\$53.87	\$53.87	\$11.34	\$11.34		
		All Features Offered			UEPTX	UEPSX	\$6.75	\$0.0	\$0.0									
NOTE: Transmission/usage charges associated with POTS circuit switched usage will also apply to circuit switched voice and/or circuit switched data transmission by B-Channels associated with 2-wire ISDN ports.																		
NOTE: Access to B Channel or D Channel Packet capabilities will be available only through BFR/New Business Request Process. Rates for the packet capabilities will be determined via the Bona Fide Request/New Business Request Process.																		

BELLSOUTH / METROMEDIA FIBER NETWORK SERVICES RATES
Unbundled Network Elements
MISSISSIPPI

CATEGORY	NOTES	UNBUNDLED NETWORK ELEMENT	Interim	Zone	BCS	USOC	RATES					OSS RATES						
							Rec	First	Add'l	First	Add'l	SOME C	SOMAN	SOMAN	SOMAN	SOMAN	SOMAN	
										Nonrecurring	Disconnect							
												Svc Order Submitted Elec per LSR	Svc Order Submitted Manually per LSR	Incremental Charge - Manual Svc Order vs. Electronic-1st	Incremental Charge - Manual Svc Order vs. Electronic-Add'l	Incremental Charge - Manual Svc Order vs. Electronic-Disc 1st	Incremental Charge - Manual Svc Order vs. Electronic-Disc Add'l	
		Exchange Ports - 2-Wire ISDN Port -- Channel Profiles			UEPTX UEPSX	U1UMA	\$0.0	\$0.0	\$0.0									
		Exchange Ports - 4-Wire ISDN DS1 Port			UEPEX	UEPEX	\$105.79	\$407.08	\$202.84	\$162.15	\$41.07	\$3.50	\$51.03	\$51.03	\$8.51	\$8.51		
		2-Wire VG Unbundled 2-Way PBX Trunk - Res			UEPSE	UEPRD	\$2.11	\$22.98	\$22.98	\$6.56	\$6.56	\$3.50	\$25.52	\$11.34	\$16.06	\$16.06		
		2-Wire VG Line Side Unbundled 2-Way PBX Trunk - Bus			UEPSP	UEPPC	\$2.11	\$22.98	\$22.98	\$6.56	\$6.56	\$3.50	\$25.52	\$11.34	\$16.06	\$16.06		
		2-Wire VG Line Side Unbundled Outward PBX Trunk - Bus			UEPSP	UEPPO	\$2.11	\$22.98	\$22.98	\$6.56	\$6.56	\$3.50	\$25.52	\$11.34	\$16.06	\$16.06		
		2-Wire VG Line Side Unbundled Incoming PBX Trunk - Bus			UEPSP	UEPPI	\$2.11	\$22.98	\$22.98	\$6.56	\$6.56	\$3.50	\$25.52	\$11.34	\$16.06	\$16.06		
		2-Wire Analog Long Distance Terminal PBX Trunk - Bus			UEPSP	UEPLD	\$2.11	\$22.98	\$22.98	\$6.56	\$6.56	\$3.50	\$25.52	\$11.34	\$16.06	\$16.06		
		2-Wire Analog TN 2-Way Calling Plan PBX Trunk - Bus			UEPSP	UEPT2	\$2.11	\$22.98	\$22.98	\$6.56	\$6.56	\$3.50	\$25.52	\$11.34	\$16.06	\$16.06		
		2-Wire TN Outward Calling Plan PBX Trunk - Bus			UEPSP	UEPTO	\$2.11	\$22.98	\$22.98	\$6.56	\$6.56	\$3.50	\$25.52	\$11.34	\$16.06	\$16.06		
		2-Wire Voice Unbundled PBX LD Terminal Ports			UEPSP	UEPLD	\$2.11	\$22.98	\$22.98	\$6.56	\$6.56	\$3.50	\$25.52	\$11.34	\$16.06	\$16.06		
		2-Wire Voice Unbundled 2-Way PBX Usage Port			UEPSP	UEPXA	\$2.11	\$22.98	\$22.98	\$6.56	\$6.56	\$3.50	\$25.52	\$11.34	\$16.06	\$16.06		
		2-Wire Voice Unbundled PBX Toll Terminal Hotel Ports			UEPSP	UEPXB	\$2.11	\$22.98	\$22.98	\$6.56	\$6.56	\$3.50	\$25.52	\$11.34	\$16.06	\$16.06		
		2-Wire Voice Unbundled PBX LD DDD Terminals Port			UEPSP	UEPXC	\$2.11	\$22.98	\$22.98	\$6.56	\$6.56	\$3.50	\$25.52	\$11.34	\$16.06	\$16.06		
		2-Wire Voice Unbundled PBX LD Terminal Switchboard Port			UEPSP	UEPXD	\$2.11	\$22.98	\$22.98	\$6.56	\$6.56	\$3.50	\$25.52	\$11.34	\$16.06	\$16.06		
		2-Wire Voice Unbundled PBX LD Terminal Switchboard IDD Capable Port			UEPSP	UEPXE	\$2.11	\$22.98	\$22.98	\$6.56	\$6.56	\$3.50	\$25.52	\$11.34	\$16.06	\$16.06		
		2-Wire Voice Unbundled 2-Way PBX Hotel/Hospital Economy Administrative Calling Port			UEPSP	UEPXL	\$2.11	\$22.98	\$22.98	\$6.56	\$6.56	\$3.50	\$25.52	\$11.34	\$16.06	\$16.06		
		2-Wire Voice Unbundled 2-Way PBX Hotel/Hospital Economy Room Calling Port			UEPSP	UEPXM	\$2.11	\$22.98	\$22.98	\$6.56	\$6.56	\$3.50	\$25.52	\$11.34	\$16.06	\$16.06		
		2-Wire Voice Unbundled 1-Way Outgoing PBX Hotel/Hospital Discount Room Calling Port			UEPSP	UEPXO	\$2.11	\$22.98	\$22.98	\$6.56	\$6.56	\$3.50	\$25.52	\$11.34	\$16.06	\$16.06		
		2-Wire Voice Unbundled 2-Way PBX Mississippi Local Economy Calling Port			UEPSP	UEPXQ	\$2.11	\$22.98	\$22.98	\$6.56	\$6.56	\$3.50	\$25.52	\$11.34	\$16.06	\$16.06		
		2-Wire Voice Unbundled 2-Way PBX Mississippi Local Optional Calling Port			UEPSP	UEPXR	\$2.11	\$22.98	\$22.98	\$6.56	\$6.56	\$3.50	\$25.52	\$11.34	\$16.06	\$16.06		
		2-Wire Voice Unbundled 1-Way Outgoing PBX Measured Port			UEPSP	UEPXS	\$2.11	\$22.98	\$22.98	\$6.56	\$6.56	\$3.50	\$25.52	\$11.34	\$16.06	\$16.06		
		Subsequent Activity			UEPSP	USASC	\$0.0	\$0.0	\$0.0			\$3.50	\$19.99					
	FEATURES																	
		All Available Vertical Features			UEPSP UEPSE	UEPVF	\$6.75	\$0.0	\$0.0			\$3.5	\$25.52	\$11.34	\$16.06			
	EXCHANGE PORT RATES (COIN)																	
		Exchange Ports - Coin Port					\$2.32	\$22.98	\$22.98	\$6.56	\$6.56	\$3.50	\$25.52	\$11.34	\$16.06	\$16.06		
		NOTE: Transmission/usage charges associated with POTS circuit switched usage will also apply to circuit switched voice and/or circuit switched data transmission by B-Channels associated with 2-wire ISDN ports.																
		NOTE: Access to B Channel or D Channel Packet capabilities will be available only through BFR/New Business Request Process. Rates for the packet capabilities will be determined via the Bona Fide Request/New Business Request Process.																
	UNBUNDLED LOCAL SWITCHING, PORT USAGE																	
		End Office Switching (Port Usage)																
		End Office Switching Function, Per MOU					\$0.0023771											
		End Office Trunk Port - Shared, Per MOU					\$0.001927											
		Tandem Switching (Port Usage) (Local or Access Tandem)																
		Tandem Switching Function Per MOU					\$0.0007834											
		Tandem Trunk Port - Shared, Per MOU					\$0.002834											
		Common Transport																
		Common Transport - Per Mile, Per MOU					\$0.0000091											
		Common Transport - Facilities Termination Per MOU					\$0.0004281											
	UNBUNDLED PORT/LOOP COMBINATIONS																	
		UNBUNDLED PORT/LOOP COMBINATIONS - COST BASED RATES																

BELLSOUTH / METROMEDIA FIBER NETWORK SERVICES RATES
Unbundled Network Elements
MISSISSIPPI

CATEGORY	NOTES	UNBUNDLED NETWORK ELEMENT	Interim	Zone	BCS	USOC	RATES				OSS RATES							
							Rec	First	Add'l	First	Add'l	SOME C	SOMAN	SOMAN	SOMAN	SOMAN	SOMAN	
								Nonrecurring		Nonrecurring		Svc Order Submitted Elec per LSR	Svc Order Submitted Manually per LSR	Incremental Charge - Manual Svc Order vs. Electronic-1st	Incremental Charge - Manual Svc Order vs. Electronic-Add'l	Incremental Charge - Manual Svc Order vs. Electronic-Disc 1st	Incremental Charge - Manual Svc Order vs. Electronic-Disc Add'l	
	Cost Based Rates are applied where BellSouth is required by FCC and/or State Commission rule to provide Unbundled Local Switching or Switch Ports.																	
	Features shall apply to the Unbundled Port/Loop Combination - Cost Based Rate section in the same manner as they are applied to the Stand-Alone Unbundled Port section of this Rate Exhibit.																	
	End Office and Tandem Switching Usage and Common Transport Usage rates in the Port section of this rate exhibit shall apply to all combinations of loop/port network elements except for UNE Coin Port/Loop Combinations.																	
	For Georgia, the recurring UNE Port and Loop charges listed apply to Currently Combined and Not Currently Combined Combos and the first and additional Port nonrecurring charges apply to Not Currently Combined Combos. For Currently Combined Combos in GA and all other states, the nonrecurring charges shall be those identified in the Nonrecurring - Currently Combined sections.																	
	2-WIRE VOICE GRADE LOOP WITH 2-WIRE LINE PORT (RES)																	
	UNE Port/Loop Combination Rates																	
		2-Wire VG Loop/Port Combo - Zone 1		1														\$16.71
		2-Wire VG Loop/Port Combo - Zone 2		2														\$21.45
		2-Wire VG Loop/Port Combo - Zone 3		3														\$29.75
		2-Wire VG Loop/Port Combo - Zone 4		4														\$38.59
	UNE Loop Rates																	
		2-Wire Voice Grade Loop (SL1) - Zone 1		1	UEPRX	UEPLX												\$14.59
		2-Wire Voice Grade Loop (SL1) - Zone 2		2	UEPRX	UEPLX												\$19.33
		2-Wire Voice Grade Loop (SL1) - Zone 3		3	UEPRX	UEPLX												\$27.63
		2-Wire Voice Grade Loop (SL1) - Zone 4		4	UEPRX	UEPLX												\$36.47
	2-Wire Voice Grade Line Port Rates (Res)																	
		2-Wire voice unbundled port - residence			UEPRX	UEPRL												\$2.12
		2-Wire voice unbundled port with Caller ID - res			UEPRX	UEPRC												\$2.12
		2-Wire voice unbundled port outgoing only - res			UEPRX	UEPRO												\$2.12
		2-Wire voice Grade unbundled Mississippi extended local dialing parity port with Caller ID - res			UEPRX	UEPAT												\$2.12
		2-Wire voice unbundles res, low usage line port with Caller ID (LUM)			UEPRX	UEPAP												\$2.12
	FEATURES																	
		All Features Offered			UEPRX	UEPVF												\$6.75
								\$0.0	\$0.0									
	LOCAL NUMBER PORTABILITY																	
		Local Number Portability (1 per port)			UEPRX	LNPCX												\$0.35
	NONRECURRING CHARGES (NRCs) - CURRENTLY COMBINED																	
		2-Wire Voice Grade Loop / Line Port Combination - Conversion - Switch-as-is			UEPRX	USAC2												\$5.20
		2-Wire Voice Grade Loop / Line Port Combination - Conversion - Switch with change			UEPRX	USACC												\$5.20
		2-Wire Voice Grade Loop / Line Port Combination - Conversion - Subsequent Database Update																\$2.87
																		\$6.88

BELLSOUTH / METROMEDIA FIBER NETWORK SERVICES RATES
Unbundled Network Elements
MISSISSIPPI

CATEGORY	NOTES	UNBUNDLED NETWORK ELEMENT	Interim	Zone	BCS	USOC	RATES				OSS RATES										
							Rec	First	Add'l	First	Add'l	Svc Order Submitted Elec per LSR	Svc Order Submitted Manually per LSR	Incremental Charge - Manual Svc Order vs. Electronic-1st	Incremental Charge - Manual Svc Order vs. Electronic-Add'l	Incremental Charge - Manual Svc Order vs. Electronic-Disc 1st	Incremental Charge - Manual Svc Order vs. Electronic-Disc Add'l				
																		Nonrecurring		Nonrecurring	
																		Disconnect		Disconnect	
											SOMEc	SOMAN	SOMAN	SOMAN	SOMAN	SOMAN					
ADDITIONAL NRCs																					
		2-Wire Voice Grade Loop/Line Port Combination - Subsequent Activity			UEPRX	USAS2	\$0.0	\$0.0	\$0.0			\$3.50	\$19.99								
2-WIRE VOICE GRADE LOOP WITH 2-WIRE LINE PORT (BUS)																					
UNE Port/Loop Combination Rates																					
		2-Wire VG Loop/Port Combo - Zone 1		1			\$16.71														
		2-Wire VG Loop/Port Combo - Zone 2		2			\$21.45														
		2-Wire VG Loop/Port Combo - Zone 3		3			\$29.75														
UNE Loop Rates																					
		2-Wire Voice Grade Loop (SL1) - Zone 1		1	UEPBX	UEPLX	\$14.59														
		2-Wire Voice Grade Loop (SL1) - Zone 2		2	UEPBX	UEPLX	\$19.33														
		2-Wire Voice Grade Loop (SL1) - Zone 3		3	UEPBX	UEPLX	\$27.63														
		2-Wire Voice Grade Loop (SL1) - Zone 4		4	UEPBX	UEPLX	\$36.47														
2-Wire Voice Grade Line Port (Bus)																					
		2-Wire voice unbundled port without Caller ID - bus			UEPBX	UEPBL	\$2.12				\$3.50	\$43.52	\$9.99								
		2-Wire voice unbundled port with Caller + E484 ID - bus			UEPBX	UEPBC	\$2.12				\$3.50	\$43.52	\$9.99								
		2-Wire voice unbundled port outgoing only - bus			UEPBX	UEPBO	\$2.12				\$3.50	\$43.52	\$9.99								
		2-Wire voice Grade unbundled Mississippi extended local dialing parity port with Caller ID - bus			UEPBX	UEPAY	\$2.12				\$3.50	\$43.52	\$9.99								
		2-Wire voice unbundled incoming only port with Caller ID - Bus			UEPBX	UEPB1	\$2.12				\$3.50	\$43.52	\$9.99								
LOCAL NUMBER PORTABILITY																					
		Local Number Portability (1 per port)			UEPBX	LNPCX	\$0.35														
FEATURES																					
		All Features Offered			UEPBX	UEPVF	\$6.75	\$0.0	\$0.0		\$3.5	\$43.52	\$9.99								
NONRECURRING CHARGES (NRCs) - CURRENTLY COMBINED																					
		2-Wire Voice Grade Loop / Line Port Combination - Conversion - Switch-as-is			UEPBX	USAC2		\$5.20	\$0.41		\$3.50	\$43.52	\$9.99								
		2-Wire Voice Grade Loop / Line Port Combination - Conversion - Switch with change			UEPBX	USACC		\$5.20	\$0.41		\$3.50	\$43.52	\$9.99								
		2-Wire Voice Grade Loop / Line Port Combination - Conversion - Subsequent Database Update						\$2.87				\$6.88									
ADDITIONAL NRCs																					
		2-Wire Voice Grade Loop/Line Port Combination - Subsequent Activity			UEPBX	USAS2					\$3.50	\$43.52	\$9.99								
2-WIRE VOICE GRADE LOOP WITH 2-WIRE LINE PORT (RES - PBX)																					
UNE Port/Loop Combination Rates																					
		2-Wire VG Loop/Port Combo - Zone 1		1			\$16.71														
		2-Wire VG Loop/Port Combo - Zone 2		2			\$21.45														
		2-Wire VG Loop/Port Combo - Zone 3		3			\$29.75														
		2-Wire VG Loop/Port Combo - Zone 4		4			\$38.59														
UNE Loop Rates																					
		2-Wire Voice Grade Loop (SL 1) - Zone 1		1	UEPRG	UEPLX	\$14.59														
		2-Wire Voice Grade Loop (SL 1) - Zone 2		2	UEPRG	UEPLX	\$19.33														
		2-Wire Voice Grade Loop (SL 1) - Zone 3		3	UEPRG	UEPLX	\$27.63														
		2-Wire Voice Grade Loop (SL 1) - Zone 4		4	UEPRG	UEPLX	\$36.47														
2-Wire Voice Grade Line Port Rates (RES - PBX)																					
		2-Wire VG Unbundled Combination 2-Way PBX Trunk Port - Res			UEPRG	UEPRD	\$2.12				\$3.50	\$43.52	\$9.99								

BELLSOUTH / METROMEDIA FIBER NETWORK SERVICES RATES
Unbundled Network Elements
MISSISSIPPI

CATEGORY	NOTES	UNBUNDLED NETWORK ELEMENT	Interim	Zone	BCS	USOC	RATES				OSS RATES								
							Rec	First	Add'l	First	Add'l	Svc Order Submitted Elec per LSR	Svc Order Submitted Manually per LSR	Incremental Charge - Manual Svc Order vs. Electronic-1st	Incremental Charge - Manual Svc Order vs. Electronic-Add'l	Incremental Charge - Manual Svc Order vs. Electronic-Disc 1st	Incremental Charge - Manual Svc Order vs. Electronic-Disc Add'l		
																		Nonrecurring	Nonrecurring
																		Disconnect	
SOME	SOMAN	SOMAN	SOMAN	SOMAN	SOMAN														
LOCAL NUMBER PORTABILITY																			
		Local Number Portability (1 per port)			UEPRG	LNPCP	\$3.5												
FEATURES																			
		All Features Offered			UEPRG	UEPVF	\$6.75	\$0.0	\$0.0		\$3.5	\$43.52	\$9.99						
NONRECURRING CHARGES (NRCs) - CURRENTLY COMBINED																			
		2-Wire Voice Grade Loop/ Line Port Combination (PBX) - Conversion - Switch-As-Is			UEPRG	USAC2		\$5.20	\$0.41		\$3.50	\$43.52	\$9.99						
		2-Wire Voice Grade Loop/ Line Port Combination (PBX) - Conversion - Switch with Change			UEPRG	USACC		\$5.20	\$0.41		\$3.50	\$43.52	\$9.99						
		2-Wire Voice Grade Loop / Line Port Combination - Conversion - Subsequent Database Update						\$2.87				\$6.88							
ADDITIONAL NRCs																			
		2-Wire Voice Grade Loop/ Line Port Combination (PBX) - Subsequent Activity			UEPRG	USAS2	\$0.0	\$0.0	\$0.0		\$3.50	\$19.99							
		PBX Subsequent Activity - Change/Rearrange Multiline Hunt Group						\$14.64	\$14.64		\$3.5	\$19.99							
2-WIRE VOICE GRADE LOOP WITH 2-WIRE LINE PORT (BUS - PBX)																			
UNE Port/Loop Combination Rates																			
		2-Wire VG Loop/Port Combo - Zone 1		1			\$16.71												
		2-Wire VG Loop/Port Combo - Zone 2		2			\$21.45												
		2-Wire VG Loop/Port Combo - Zone 3		3			\$29.75												
		2-Wire VG Loop/Port Combo - Zone 4		4			\$38.59												
UNE Loop Rates																			
		2-Wire Voice Grade Loop (SL 1) - Zone 1		1	UEPPX	UEPLX	\$14.59												
		2-Wire Voice Grade Loop (SL 1) - Zone 2		2	UEPPX	UEPLX	\$19.33												
		2-Wire Voice Grade Loop (SL 1) - Zone 3		3	UEPPX	UEPLX	\$27.63												
		2-Wire Voice Grade Loop (SL 1) - Zone 4		4	UEPPX	UEPLX	\$36.47												
2-Wire Voice Grade Line Port Rates (BUS - PBX)																			
		Line Side Unbundled Combination 2-Way PBX Trunk Port - Bus			UEPPX	UEPPC	\$2.12				\$3.50	\$43.52	\$9.99						
		Line Side Unbundled Outward PBX Trunk Port - Bus			UEPPX	UEPPO	\$2.12				\$3.50	\$43.52	\$9.99						
		Line Side Unbundled Incoming PBX Trunk Port - Bus			UEPPX	UEPP1	\$2.12				\$3.50	\$43.52	\$9.99						
		2-Wire Voice Unbundled PBX LD Terminal Ports			UEPPX	UEPLD	\$2.12				\$3.50	\$43.52	\$9.99						
		2-Wire Voice Unbundled 2-Way Combination PBX Usage Port			UEPPX	UEPXA	\$2.12				\$3.50	\$43.52	\$9.99						
		2-Wire Voice Unbundled PBX Toll Terminal Hotel Ports			UEPPX	UEPXB	\$2.12				\$3.50	\$43.52	\$9.99						
		2-Wire Voice Unbundled PBX LD DDD Terminals Port			UEPPX	UEPXC	\$2.12				\$3.50	\$43.52	\$9.99						
		2-Wire Voice Unbundled PBX LD Terminal Switchboard Port			UEPPX	UEPXD	\$2.12				\$3.50	\$43.52	\$9.99						
		2-Wire Voice Unbundled PBX LD Terminal Switchboard IDD Capable Port			UEPPX	UEPXE	\$2.12				\$3.50	\$43.52	\$9.99						
		2-Wire Voice Unbundled 2-Way PBX Hotel/Hospital Economy Administrative Calling Port			UEPPX	UEPXL	\$2.12				\$3.50	\$43.52	\$9.99						
		2-Wire Voice Unbundled 2-Way PBX Hotel/Hospital Economy Room Calling Port			UEPPX	UEPXM	\$2.12				\$3.50	\$43.52	\$9.99						
		2-Wire Voice Unbundled 1-Way Outgoing PBX Hotel/Hospital Discount Room Calling Port			UEPPX	UEPXO	\$2.12				\$3.50	\$43.52	\$9.99						
		2-Wire Voice Unbundled 2-Way PBX Mississippi Local Economy Calling Port			UEPPX	UEPXQ	\$2.12				\$3.50	\$43.52	\$9.99						
		2-Wire Voice Unbundled 2-Way PBX Mississippi Local Optional Calling Port			UEPPX	UEPXR	\$2.12				\$3.50	\$43.52	\$9.99						
		2-Wire Voice Unbundled 1-Way Outgoing PBX Measured Port			UEPPX	UEPXS	\$2.12				\$3.50	\$43.52	\$9.99						
LOCAL NUMBER PORTABILITY																			
		Local Number Portability (1 per port)			UEPPX	LNPCP	\$3.15												

BELLSOUTH / METROMEDIA FIBER NETWORK SERVICES RATES
Unbundled Network Elements
MISSISSIPPI

CATEGORY	NOTES	UNBUNDLED NETWORK ELEMENT	Interim	Zone	BCS	USOC	RATES				OSS RATES						
							Rec	First	Add'l	First	Add'l	Svc Order Submitted Elec per LSR	Svc Order Submitted Manually per LSR	Incremental Charge - Manual Svc Order vs. Electronic-1st	Incremental Charge - Manual Svc Order vs. Electronic-Add'l	Incremental Charge - Manual Svc Order vs. Electronic-Disc 1st	Incremental Charge - Manual Svc Order vs. Electronic-Disc Add'l
										Nonrecurring	Nonrecurring						
											Disconnect						
											SOME C	SOMAN	SOMAN	SOMAN	SOMAN		
	FEATURES																
	All Features Offered			UEPPX	UEPVF	\$6.75	\$0.0	\$0.0			\$3.5		\$43.52	\$9.99			
	NONRECURRING CHARGES (NRCs) - CURRENTLY COMBINED																
	2-Wire Voice Grade Loop/ Line Port Combination (PBX) - Conversion - Switch-As-Is			UEPPX	USAC2		\$5.20	\$0.41			\$3.50		\$43.52	\$9.99			
	2-Wire Voice Grade Loop/ Line Port Combination (PBX) - Conversion - Switch with Change			UEPPX	USACC		\$5.20	\$0.41			\$3.50		\$43.52	\$9.99			
	2-Wire Voice Grade Loop / Line Port Combination - Conversion - Subsequent Database Update						\$2.87						\$6.88				
	ADDITIONAL NRCs																
	2-Wire Voice Grade Loop/ Line Port Combination (PBX) - Subsequent Activity			UEPPX	USAS2	\$0.0	\$0.0	\$0.0			\$3.50	\$19.99					
	PBX Subsequent Activity - Change/Rearrange Multiline Hunt Group						\$14.64	\$14.64			\$3.5	\$19.99					
	2-WIRE VOICE GRADE LOOP WITH 2-WIRE ANALOG LINE COIN PORT																
	UNE Port/Loop Combination Rates																
	2-Wire VG Coin Port/Loop Combo – Zone 1						\$17.06										
	2-Wire VG Coin Port/Loop Combo – Zone 2						\$21.8										
	2-Wire VG Coin Port/Loop Combo – Zone 3						\$30.10										
	2-Wire VG Coin Port/Loop Combo – Zone 4						\$38.94										
	UNE Loop Rates																
	2-Wire Voice Grade Loop (SL1) - Zone 1			UEPCO	UEPLX	\$14.59											
	2-Wire Voice Grade Loop (SL1) - Zone 2			UEPCO	UEPLX	\$19.33											
	2-Wire Voice Grade Loop (SL1) - Zone 3			UEPCO	UEPLX	\$27.63											
	2-Wire Voice Grade Loop (SL1) - Zone 4			UEPCO	UEPLX	\$36.47											
	2-Wire Voice Grade Line Ports (COIN)																
	2-Wire Coin 2-Way without Operator Screening and without Blocking (AL, KY, LA, MS)			UEPCO	UEPRF	\$2.47					\$3.5		\$43.52	\$9.99			
	2-Wire Coin 2-Way without Operator Screening and without Blocking; with Dialing Parity (Note 3) (MS)			UEPCO	UEPMC	\$2.47					\$3.5		\$43.52	\$9.99			
	2-Wire Coin 2-Way with Operator Screening and Blocking: 011, 900/976, 1+DDD (AL, KY, LA, MS)			UEPCO	UEPRA	\$2.47					\$3.5		\$43.52	\$9.99			
	2-Wire Coin 2-W with Operator Screening and Blocking: 011, 900/976, 1+DDD; with Dialing Parity (MS)			UEPCO	UEPMA	\$2.47					\$3.5		\$43.52	\$9.99			
	2-Wire Coin 2-Way with Operator Screening and 011 Blocking (AL, LA, MS)			UEPCO	UEPRB	\$2.47					\$3.5		\$43.52	\$9.99			
	2-Wire Coin 2-Way with Operator Screening and 011 Blocking; with Dialing Parity (MS)			UEPCO	UEPMB	\$2.47					\$3.5		\$43.52	\$9.99			
	2-Wire Coin 2-Way with Operator Screening & Blocking: 900/976, 1+DDD, 011+, & Local (AL, KY, LA, MS)			UEPCO	UEPCD	\$2.47					\$3.5		\$43.52	\$9.99			
	2-Wire Coin 2-W Operator Screening: 900 Block: 900/976, 1+DDD, 011+, Local; with Dialing Parity (MS)			UEPCO	UEPCJ	\$2.47					\$3.5		\$43.52	\$9.99			
	2-Wire Coin Outward without Blocking and without Operator Screening (KY, LA, MS)			UEPCO	UEPRN	\$2.47					\$3.5		\$43.52	\$9.99			
	2-Wire Coin Outward without Blocking and without Operator Screening; With Dialing Parity (MS)			UEPCO	UEPME	\$2.47					\$3.5		\$43.52	\$9.99			
	2-Wire Coin Outward with Operator Screening and 011 Blocking (GA, KY, MS)			UEPCO	UEPRJ	\$2.47					\$3.5		\$43.52	\$9.99			
	2-Wire Coin Outward with Operator Screening and 011 Blocking; with Dialing Parity (MS)			UEPCO	UEPMD	\$2.47					\$3.5		\$43.52	\$9.99			
	2-Wire Coin Outward with Operator Screening and Blocking: 011, 900/976, 1+DDD (AL, KY, LA, MS)			UEPCO	UEPRH	\$2.47					\$3.5		\$43.52	\$9.99			
	2-Wire Coin Outward Operator Screening & Blocking: 900/976, 1+DDD, 011+, and Local (AL, KY, LA, MS)			UEPCO	UEPCN	\$2.47					\$3.5		\$43.52	\$9.99			

BELLSOUTH / METROMEDIA FIBER NETWORK SERVICES RATES
Unbundled Network Elements
MISSISSIPPI

CATEGORY	NOTES	UNBUNDLED NETWORK ELEMENT	Interim	Zone	BCS	USOC	RATES					OSS RATES						
							Rec	First	Add'l	First	Add'l	SOME C	SOMAN	SOMAN	SOMAN	SOMAN	SOMAN	
							Nonrecurring			Nonrecurring								
										Disconnect								
										Svc Order Submitted Elec per LSR	Svc Order Submitted Manually per LSR	Incremental Charge - Manual Svc Order vs. Electronic-1st	Incremental Charge - Manual Svc Order vs. Electronic-Add'l	Incremental Charge - Manual Svc Order vs. Electronic-Disc 1st	Incremental Charge - Manual Svc Order vs. Electronic-Disc Add'l			
		2-Wire Coin Out Operator Screen & Block: 900/976, 1+DDD, 011+, and Local; with Dialing Parity (MS)			UEPCO	UEPCS	\$2.47											
		2-Wire 2-Way Smartline with 900/976 (all states except LA)			UEPCO	UEPCK	\$2.47											
		2-Wire Coin Outward Smartline with 900/976 (all states except LA)			UEPCO	UEPCR	\$2.47											
		ADDITIONAL UNE COIN PORT/LOOP (RC)																
		UNE Coin Port/Loop Combo Usage (Flat Rate)			UEPCO	URECU	\$4.62	\$0.0	\$0.0									
		LOCAL NUMBER PORTABILITY																
		Local Number Portability (1 per port)			UEPCO	LNPCX	\$0.35											
		NONRECURRING CHARGES - CURRENTLY COMBINED																
		2-Wire Voice Grade Loop / Line Port Combination - Conversion - Switch-as-is			UEPCO	USAC2		\$5.20	\$0.41									
		2-Wire Voice Grade Loop / Line Port Combination - Conversion - Switch with change			UEPCO	USACC		\$5.20	\$0.41									
		ADDITIONAL NRCs																
		2-Wire Voice Grade Loop/Line Port Combination - Subsequent Activity			UEPCO	USAS2		\$0.0	\$0.0									
		2-WIRE VOICE GRADE LOOP- BUS ONLY - WITH 2-WIRE DID TRUNK PORT																
		UNE Port/Loop Combination Rates																
		2-Wire VG Loop/2-Wire DID Trunk Port Combo - UNE Zone 1		1				\$31.12										
		2-Wire VG Loop/2-Wire DID Trunk Port Combo - UNE Zone 2		2				\$39.60										
		2-Wire VG Loop/2-Wire DID Trunk Port Combo - UNE Zone 3		3				\$52.14										
		2-Wire VG Loop/2-Wire DID Trunk Port Combo - UNE Zone 4		4				\$63.91										
		UNE Loop Rates																
		2-Wire Analog Voice Grade Loop - (SL2) - UNE Zone 1		1	UEPPX	UECD1	\$21.71	\$210.42	\$135.59	\$104.08	\$20.59						\$19.99	
		2-Wire Analog Voice Grade Loop - (SL2) - UNE Zone 2		2	UEPPX	UECD1	\$30.19	\$210.42	\$135.59	\$106.05	\$21.21							\$19.99
		2-Wire Analog Voice Grade Loop - (SL2) - UNE Zone 3		3	UEPPX	UECD1	\$42.73	\$210.42	\$135.59	\$104.08	\$20.59							\$19.99
		2-Wire Analog Voice Grade Loop - (SL2) - UNE Zone 4		4	UEPPX	UECD1	\$54.50	\$210.42	\$135.59	\$104.08	\$20.59							\$19.99
		UNE Port Rate																
		Exchange Ports - 2-Wire DID Port			UEPPX	UEPD1	\$9.41	\$238.29	\$37.43	\$122.66	\$7.71						\$19.99	
		NONRECURRING CHARGES - CURRENTLY COMBINED																
		2-Wire Voice Grade Loop / 2-Wire DID Trunk Port Combination - Switch-as-is			UEPPX	USAC1		\$14.59	\$3.72								\$19.99	
		2-Wire Voice Grade Loop / 2-Wire DID Trunk Port Conversion with BellSouth Allowable Changes			UEPPX	USA1C		\$14.59	\$3.72								\$19.99	
		ADDITIONAL NRCs																
		2-Wire DID Subsequent Activity - Add Trunks, Per Trunk			UEPPX	USAS1		\$53.49	\$53.49								\$19.99	
		Telephone Number/Trunk Group Establishment Charges																
		DID Trunk Termination (One Per Port)			UEPPX	NDT	\$0.00	\$0.0	\$0.0								\$19.99	
		Additional DID Numbers for each Group of 20 DID Numbers			UEPPX	ND4	\$0.00	\$0.0	\$0.0								\$19.99	
		DID Numbers, Non- consecutive DID Numbers , Per Number			UEPPX	ND5	\$0.00	\$0.0	\$0.0								\$19.99	
		Reserve Non-Consecutive DID numbers			UEPPX	ND6	\$0.00	\$0.00	\$0.00								\$19.99	
		Reserve DID Numbers			UEPPX	NDV	\$0.00	\$0.00	\$0.00								\$19.99	
		LOCAL NUMBER PORTABILITY																
		Local Number Portability (1 per port)			UEPPX	LNPCP	\$3.15											
		2-WIRE ISDN DIGITAL GRADE LOOP WITH 2-WIRE ISDN DIGITAL LINE SIDE PORT																

BELLSOUTH / METROMEDIA FIBER NETWORK SERVICES RATES
Unbundled Network Elements
MISSISSIPPI

CATEGORY	NOTES	UNBUNDLED NETWORK ELEMENT	Interim	Zone	BCS	USOC	RATES					OSS RATES									
							Rec	First	Add'l	First	Add'l	Svc Order Submitted Elec per LSR	Svc Order Submitted Manually per LSR	Incremental Charge - Manual Svc Order vs. Electronic-1st	Incremental Charge - Manual Svc Order vs. Electronic-Add'l	Incremental Charge - Manual Svc Order vs. Electronic-Disc 1st	Incremental Charge - Manual Svc Order vs. Electronic-Disc Add'l				
																		Nonrecurring		Nonrecurring	
																		Disconnect		Disconnect	
SOMEC	SOMAN	SOMAN	SOMAN	SOMAN	SOMAN																
UNE Port/Loop Combination Rates																					
		2W ISDN Digital Grade Loop/2W ISDN Digital Line Side Port - UNE Zone 1		1	UEPPB UEPPR		\$42.99														
		2W ISDN Digital Grade Loop/2W ISDN Digital Line Side Port - UNE Zone 2		2	UEPPB UEPPR		\$53.29														
		2W ISDN Digital Grade Loop/2W ISDN Digital Line Side Port - UNE Zone 3		3	UEPPB UEPPR		\$67.27														
		2W ISDN Digital Grade Loop/2W ISDN Digital Line Side Port - UNE Zone 4		4			\$106.55														
UNE Loop Rates																					
		2-Wire ISDN Digital Grade Loop - UNE Zone 1		1	UEPPB UEPPR USLZX		\$28.66	\$233.54	\$157.71	\$104.88	\$20.59		\$19.99								
		2-Wire ISDN Digital Grade Loop - UNE Zone 2		2	UEPPB UEPPR USLZX		\$38.96	\$233.54	\$158.71	\$104.88	\$20.59		\$19.99								
		2-Wire ISDN Digital Grade Loop - UNE Zone 3		3	UEPPB UEPPR USLZX		\$52.94	\$233.54	\$158.71	\$104.88	\$20.59		\$19.99								
		2-Wire ISDN Digital Grade Loop - UNE Zone 4		4	UEPPB UEPPR USLZX		\$106.55	\$233.54	\$158.71	\$104.88	\$20.59		\$19.99								
UNE Port Rate																					
		Exchange Port - 2-Wire ISDN Line Side Port			UEPPB UEPPR UEPPB		\$14.33	\$145.35	\$105.83	\$95.12	\$21.37		\$19.99								
NONRECURRING CHARGES - CURRENTLY COMBINED																					
		2-Wire ISDN Digital Grade Loop / 2-Wire ISDN Line Side Port Combination - Conversion			UEPPB UEPPR USACB		\$0.0	\$76.91	\$42.99				\$19.99								
ADDITIONAL NRCs																					
LOCAL NUMBER PORTABILITY																					
		Local Number Portability (1 per port)			UEPPB UEPPR LNPCX		\$0.35	\$0.00	\$0.00												
B-CHANNEL USER PROFILE ACCESS:																					
		CVS/CSD (DMS/5ESS)			UEPPB UEPPR U1UCA		\$0.00	\$0.00	\$0.00												
		CVS (EWSD)			UEPPB UEPPR U1UCB		\$0.00	\$0.00	\$0.00												
		CSD			UEPPB UEPPR U1UCC		\$0.00	\$0.00	\$0.00												
B-CHANNEL AREA PLUS USER PROFILE ACCESS: (AL,KY,LA,MS SC,MS, & TN)																					
		CVS/CSD (DMS/5ESS)			UEPPB UEPPR U1UCD		\$0.00	\$0.00	\$0.00												
		CVS (EWSD)			UEPPB UEPPR U1UCE		\$0.00	\$0.00	\$0.00												
		CSD			UEPPB UEPPR U1UCF		\$0.00	\$0.00	\$0.00												
USER TERMINAL PROFILE																					
		User Terminal Profile (EWSD only)			UEPPB UEPPR U1UMA		\$0.00	\$0.00	\$0.00												
VERTICAL FEATURES																					
		All Vertical Features - One per Channel B User Profile			UEPPB UEPPR UEPVF		\$6.75	\$0.00	\$0.00												
INTEROFFICE CHANNEL MILEAGE																					
		Interoffice Channel mileage each, including first mile and facilities termination			UEPPB UEPPR M1GNC		\$20.67	\$106.72	\$48.83				\$0.0								
		Interoffice Channel mileage each, additional mile			UEPPB UEPPR M1GNM		\$0.0323	\$0.0	\$0.0			\$0.0	\$0.0								
4-WIRE DS1 DIGITAL LOOP WITH 4-WIRE ISDN DS1 DIGITAL TRUNK PORT																					
UNE Port/Loop Combination Rates																					
		4W DS1 Digital Loop/4W ISDN DS1 Digital Trunk Port - UNE Zone 1		1	UEPPP		\$212.84														
		4W DS1 Digital Loop/4W ISDN DS1 Digital Trunk Port - UNE Zone 2		2	UEPPP		\$318.50														
		4W DS1 Digital Loop/4W ISDN DS1 Digital Trunk Port - UNE Zone 3		3	UEPPP		\$356.97														

BELLSOUTH / METROMEDIA FIBER NETWORK SERVICES RATES
Unbundled Network Elements
MISSISSIPPI

CATEGORY	NOTES	UNBUNDLED NETWORK ELEMENT	Interim	Zone	BCS	USOC	RATES					OSS RATES						
							Rec	First	Add'l	First	Add'l	SOMEc	SOMAN	SOMAN	SOMAN	SOMAN	SOMAN	
							Nonrecurring	Nonrecurring	Nonrecurring	Nonrecurring	Nonrecurring	Nonrecurring	Nonrecurring	Nonrecurring	Nonrecurring	Nonrecurring	Nonrecurring	
							Disconnect	Disconnect	Disconnect	Disconnect	Disconnect	Disconnect	Disconnect	Disconnect	Disconnect	Disconnect	Disconnect	
												Svc Order Submitted Elec per LSR	Svc Order Submitted Manually per LSR	Incremental Charge - Manual Svc Order vs. Electronic-1st	Incremental Charge - Manual Svc Order vs. Electronic-Add'l	Incremental Charge - Manual Svc Order vs. Electronic-Disc 1st	Incremental Charge - Manual Svc Order vs. Electronic-Disc Add'l	
		4W DS1 Digital Loop/4W ISDN DS1 Digital Trunk Port - UNE Zone 4		4	UEPPP		\$672.23							\$19.99				
		UNE Loop Rates																
		4-Wire DS1 Digital Loop - UNE Zone 1		1	UEPPP	USL4P	\$107.50	\$504.26	\$315.65	\$91.54	\$23.97			\$19.99				
		4-Wire DS1 Digital Loop - UNE Zone 2		2	UEPPP	USL4P	\$212.71	\$504.26	\$315.65	\$91.54	\$23.97			\$19.99				
		4-Wire DS1 Digital Loop - UNE Zone 3		3	UEPPP	USL4P	\$251.18	\$504.26	\$315.35	\$91.54	\$23.97			\$19.99				
		4-Wire DS1 Digital Loop - UNE Zone 4		4	UEPPP	USL4P	\$566.44	\$504.26	\$315.65	\$91.54	\$23.97			\$19.99				
		UNE Port Rate																
		Exchange Ports - 4-Wire ISDN DS1 Port			UEPPP	UEPPP	\$105.79	\$407.08	\$202.84	\$162.15	\$41.07			\$19.99				
		NONRECURRING CHARGES - CURRENTLY COMBINED																
		4-Wire DS1 Digital Loop / 4-Wire ISDN DS1 Digital Trunk Port Combination - Conversion -Switch-as-is			UEPPP	USACP	\$0.00	\$237.82	\$156.90					\$19.99				
		ADDITIONAL NRCs																
		4-Wire DS1 Loop/4-W ISDN Digtl Trk Port - Subsqrt Actvty-Inward/two way tel nos within Std Allowance			UEPPP	PR7TF		\$0.9788						\$19.99				
		4-Wire DS1 Loop / 4-Wire ISDN DS1 Digital Trunk Port - Outward Tel Numbers (All States except NC)			UEPPP	PR7TO		\$23.02	\$23.02					\$19.99				
		4-Wire DS1 Loop / 4-Wire ISDN DS1 Digital Trk Port - Subsequent Inward Tel Nos Above Std Allowance			UEPPP	PR7ZT		\$46.05	\$46.05					\$19.99				
		LOCAL NUMBER PORTABILITY																
		Local Number Portability (1 per port)			UEPPP	LNPCN	\$1.75											
		INTERFACE (Provisioning Only)																
		Voice/Data			UEPPP	PR71V	\$0.00	\$0.00	\$0.00									
		Digital Data			UEPPP	PR71D	\$0.00	\$0.00	\$0.00									
		Inward Data			UEPPP	PR71E	\$0.00	\$0.00	\$0.00									
		New or Additional "B" Channel																
		New or Additional - Voice/Data B Channel			UEPPP	PR7BV	\$0.00	\$29.01						\$19.99				
		New or Additional - Digital Data B Channel			UEPPP	PR7BF	\$0.00	\$29.01						\$19.99				
		New or Additional Inward Data B Channel			UEPPP	PR7BD	\$0.00	\$29.01						\$19.99				
		New or Additional Useage Sensitive Voice Data B Channel			UEPPP	PR7BS	\$0.00	\$29.01						\$19.19				
		New or Additional Useage Sensitive Digital Data B Channel			UEPPP	PR7BU	\$0.00	\$29.01						\$19.99				
		CALL TYPES																
		Inward			UEPPP	PR7C1	\$0.0	\$0.0	\$0.0									
		Outward			UEPPP	PR7C0	\$0.00	\$0.00	\$0.00									
		Two-way			UEPPP	PR7CC	\$0.00	\$0.00	\$0.00									
		Interoffice Channel Mileage																
		Fixed Each Including First Mile			UEPPP	1LN1A	\$75.0598	\$196.28	\$147.31	\$26.56				\$19.99				
		Each Airline-Fractional Additional Mile			UEPPP	1LN1B	\$0.6598											
		4-WIRE DS1 DIGITAL LOOP WITH 4-WIRE DDITS TRUNK PORT																
		UNE Port/Loop Combination Rates																
		4W DS1 Digital Loop/4W DDITS Trunk Port - UNE Zone 1		1	UEPDC		\$180.01											
		4W DS1 Digital Loop/4W DDITS Trunk Port - UNE Zone 2		2	UEPDC		\$285.67							\$19.99				
		4W DS1 Digital Loop/4W DDITS Trunk Port - UNE Zone 3		3	UEPDC		\$324.14							\$19.99				
		4W DS1 Digital Loop/4W DDITS Trunk Port - UNE Zone 4		4	UEPDC		\$639.40							\$19.99				
		UNE Loop Rates																
		4-Wire DS1 Digital Loop - UNE Zone 1		1	UEPDC	USLDC	\$50.99	\$599.09	\$373.90	\$91.54	\$23.97			\$19.99				
		4-Wire DS1 Digital Loop - UNE Zone 2		2	UEPDC	USLDC	\$212.70	\$504.26	\$315.65	\$91.54	\$23.97			\$19.99				

BELLSOUTH / METROMEDIA FIBER NETWORK SERVICES RATES
Unbundled Network Elements
MISSISSIPPI

CATEGORY	NOTES	UNBUNDLED NETWORK ELEMENT	Interim	Zone	BCS	USOC	RATES					OSS RATES							
							Rec	First	Add'l	First	Add'l	Svc Order Submitted Elec per LSR	Svc Order Submitted Manually per LSR	Incremental Charge - Manual Svc Order vs. Electronic-1st	Incremental Charge - Manual Svc Order vs. Electronic-Add'l	Incremental Charge - Manual Svc Order vs. Electronic-Disc 1st	Incremental Charge - Manual Svc Order vs. Electronic-Disc Add'l		
										Nonrecurring	Disconnect								
		4-Wire DS1 Digital Loop - UNE Zone 3		3	UEPDC	USLDC	\$251.18	\$504.26	\$315.65	\$91.54	\$23.97		\$19.99						
		4-Wire DS1 Digital Loop - UNE Zone 4		4	UEPDC	USLDC	\$566.44	\$504.26	\$315.65	\$91.54	\$23.97		\$19.99						
		UNE Port Rate																	
		4-Wire DDITS Digital Trunk Port			UEPDC	UDD1T	\$72.96	\$403.50	\$191.12	\$148.66	\$5.04		\$19.99						
		NONRECURRING CHARGES - CURRENTLY COMBINED																	
		4-Wire DS1 Digital Loop / 4-Wire DDITS Trunk Port Combination - Switch-as-is			UEPDC	USAC4		\$259.07	\$134.08				\$19.99						
		4-Wire DS1 Digital Loop / 4-Wire DDITS Trunk Port Combination - Conversion with DS1 Changes			UEPDC	USAWA		\$258.63	\$133.85				\$19.99						
		4-Wire DS1 Digital Loop / 4-Wire DDITS Trunk Port Combination - Conversion with Change - Trunk			UEPDC	USAWB		\$258.63	\$133.85				\$19.99						
		ADDITIONAL NRCs																	
		4-Wire DS1 Loop / 4-Wire DDITS Trunk Port - NRC - Subsequent Channel Activation/Chan - 2-Way Trunk			UEPDC	UDTTA		\$28.91	\$28.91				\$19.99						
		4-Wire DS1 Loop / 4-Wire DDITS Trunk Port - Subsequent Channel Activation/Chan - 1-Way Outward Trunk			UEPDC	UDTTB		\$28.91	\$28.91				\$19.99						
		4-Wire DS1 Loop / 4-Wire DDITS Trunk Port - Subsqt Channel Activation/Chan - Inward Trunk w/out DID			UEPDC	UDTTC		\$28.91	\$28.91				\$19.99						
		4-Wire DS1 Loop / 4-Wire DDITS Trunk Port - Subsqt Chan Activation Per Chan - Inward Trunk with DID			UEPDC	UDTTD		\$28.91	\$28.91				\$19.99						
		4-Wire DS1 Loop / 4-Wire DDITS Trunk Port - Subsqt Chan Activation / Chan - 2-Way DID w User Trans			UEPDC	UDTTE		\$28.91	\$28.91				\$19.99						
		BIPOLAR 8 ZERO SUBSTITUTION																	
		B8ZS - Superframe Format			UEPDC	CCOSF		\$0.0	\$600.00				\$19.99						
		B8ZS - Extended Superframe Format			UEPDC	CCOEF		\$0.0	\$600.00				\$19.99						
		Alternate Mark Inversion																	
		AMI - Superframe Format			UEPDC	MCOSF		\$0.00	\$0.00										
		AMI - Extended SuperFrame Format			UEPDC	MCOPO		\$0.00	\$0.00										
		Telephone Number/Trunk Group Establishment Charges																	
		Telephone Number for 2-Way Trunk Group			UEPDC	UDTGX	\$0.00												
		Telephone Number for 1-Way Outward Trunk Group			UEPDC	UDTGY	\$0.00				\$3.50	\$19.99					\$0.0		
		Telephone Number for 1-Way Inward Trunk Group Without DID			UEPDC	UDTGZ	\$0.00					\$19.99							
		DID Numbers for each Group of 20 DID Numbers			UEPDC	ND4	\$0.00					\$19.99							
		DID Numbers, Non- consecutive DID Numbers , Per Number			UEPDC	ND5	\$0.00					\$19.99							
		Reserve Non-Consecutive DID Nos.			UEPDC	ND6	\$0.00	\$0.00	\$0.00			\$19.99							
		Reserve DID Numbers			UEPDC	NDV	\$0.00	\$0.00	\$0.00			\$19.99							
		Dedicated DS1 (Interoffice Channel Mileage) - FX/FCO for 4-Wire DS1 Digital Loop with 4-Wire DDITS Trunk Port																	
		Interoffice Channel Mileage - Fixed rate 0-8 miles (Facilities Termination)			UEPDC	1LNO1	\$74.40	\$196.28	\$147.31	\$26.56	\$21.61		\$19.99						
		Interoffice Channel Mileage - Additional rate per mile - 0-8 miles			UEPDC	1LNOA	\$0.6598	\$0.00	\$0.00				\$19.99						
		Interoffice Channel Mileage - Fixed rate 9-25 miles (Facilities Termination)			UEPDC	1LNO2	\$0.0000	\$0.0	\$0.0										
		Interoffice Channel Mileage - Additional rate per mile - 9-25 miles			UEPDC	1LNOB	\$0.6598	\$0.00	\$0.00										
		Interoffice Channel Mileage - Fixed rate 25+ miles (Facilities Termination)			UEPDC	1LNO3	\$0.00	\$0.00	\$0.00	\$0.00									
		Interoffice Channel Mileage - Additional rate per mile - 25+ miles			UEPDC	1LNO4	\$0.6598	\$0.00	\$0.00										
		Local Number Portability, per DS0 Activated			UEPDC	LNPCP	\$3.15	\$0.00	\$0.00	\$0.00									
		Central Office Terminating Point			UEPDC	CTG	\$0.00												

BELLSOUTH / METROMEDIA FIBER NETWORK SERVICES RATES
Unbundled Network Elements
MISSISSIPPI

CATEGORY	NOTES	UNBUNDLED NETWORK ELEMENT	Interim	Zone	BCS	USOC	RATES					OSS RATES							
							Rec	First	Add'l	First	Add'l	Svc Order Submitted Elec per LSR	Svc Order Submitted Manually per LSR	Incremental Charge - Manual Svc Order vs. Electronic-1st	Incremental Charge - Manual Svc Order vs. Electronic-Add'l	Incremental Charge - Manual Svc Order vs. Electronic-Disc 1st	Incremental Charge - Manual Svc Order vs. Electronic-Disc Add'l		
																		Nonrecurring	Nonrecurring
																		Disconnect	
SOME C	SOMAN	SOMAN	SOMAN	SOMAN	SOMAN														
		4-WIRE DS1 LOOP WITH CHANNELIZATION WITH PORT																	
		System is 1 DS1 Loop, 1 D4 Channel Bank, and up to 24 Feature Activations																	
		Each System can have up to 24 combinations of rates depending on type and number of ports used																	
		UNE DS1 Loop																	
		4-Wire DS1 Loop - UNE Zone 1			UEPMG	USLDC	\$107.05	\$0.00	\$0.00							\$19.99			
		4-Wire DS1 Loop - UNE Zone 2			UEPMG	USLDC	\$212.70	\$0.00	\$0.00							\$19.99			
		4-Wire DS1 Loop - UNE Zone 3			UEPMG	USLDC	\$251.18	\$0.00	\$0.00							\$19.99			
		4-Wire DS1 Loop - UNE Zone 4			UEPMG	USLDC	\$566.44	\$0.00	\$0.00							\$19.99			
		UNE DSO Channelization Capacities (D4 Channel Bank Configurations)																	
		24 DSO Channel Capacity - 1 per DS1			UEPMG	VUM24	\$115.78	\$0.00	\$0.00							\$19.99			
		48 DSO Channel Capacity - 1 per 2 DS1s			UEPMG	VUM48	\$231.56	\$0.00	\$0.00							\$19.99			
		96 DSO Channel Capacity - 1per 4 DS1s			UEPMG	VUM96	\$463.12	\$0.00	\$0.00							\$19.99			
		144 DSO Channel Capacity - 1 per 6 DS1s			UEPMG	VUM14	\$694.68	\$0.00	\$0.00							\$19.99			
		192 DSO Channel Capacity -1 per 8 DS1s			UEPMG	VUM19	\$926.24	\$0.00	\$0.00							\$19.99			
		240 DSO Channel Capacity - 1 per 10 DS1s			UEPMG	VUM20	\$1,157.80	\$0.00	\$0.00							\$19.99			
		288 DSO Channel Capacity - 1 per 12 DS1s			UEPMG	VUM28	\$1,389.36	\$0.00	\$0.00							\$19.99			
		384 DSO Channel Capacity - 1 per 16 DS1s			UEPMG	VUM38	\$1,852.48	\$0.00	\$0.00							\$19.99			
		480 DSO Channel Capacity - 1 per 20 DS1s			UEPMG	VUM40	\$2,315.60	\$0.00	\$0.00							\$19.99			
		576 DSO Channel Capacity -1 per 24 DS1s			UEPMG	VUM57	\$2,778.72	\$0.00	\$0.00							\$19.99			
		672 DSO Channel Capacity - 1 per 28 DS1s			UEPMG	VUM67	\$3,241.84	\$0.00	\$0.00							\$19.99			
		Non-Recurring Charges (NRC) Associated with 4-Wire DS1 Loop with Channelization with Port - Conversion Charge Based on a System																	
		A Minimum System configuration is One (1) DS1, One (1) D4 Channel Bank, and Up To 24 DSO Ports with Feature Activations.																	
		Multiples of this configuration functioning as one are considered Add'l after the minimum system configuration is counted.																	
		NRC - Conversion (Currently Combined) with or without BellSouth Allowed Changes			UEPMG	USAC4	\$0.00	\$300.55	\$16.70							\$19.99			
		System Additions at End User Locations Where 4-Wire DS1 Loop with Channelization with Port Combination Currently Exists and																	
		New (Not Currently Combined) In Georgia Only																	
		NRC - 1 DS1/D4 Channel Bank - Add NRC for each Port and Assoc Feature Activation - New GA Only			UEPMG	VUMD4	\$0.00	\$715.15	\$327.39	\$148.05	\$17.56					\$19.99			
		Bipolar 8 Zero Substitution																	
		Clear Channel Capability Format, superframe - Subsequent Activity Only			UEPMG	CCOSF	\$0.00	\$0.00	\$600.00							\$19.99			
		Clear Channel Capability Format - Extended Superframe - Subsequent Activity Only			UEPMG	CCOEF	\$0.00	\$0.00	\$600.00							\$19.99			
		Alternate Mark Inversion (AMI)																	
		Superframe Format			UEPMG	MCOSF	\$0.00	\$0.00	\$0.00										
		Extended Superframe Format			UEPMG	MCOPO	\$0.00	\$0.00	\$0.00										
		Exchange Ports Associated with 4-Wire DS1 Loop with Channelization with Port Exchange Ports																	
		Line Side Combination Channelized PBX Trunk Port - Business			UEPPX	UEPCX	\$1.76	\$0.00	\$0.00	\$0.00	\$0.00					\$19.99			
		Line Side Outward Channelized PBX Trunk Port - Business			UEPPX	UEPOX	\$1.76	\$0.00	\$0.00	\$0.00	\$0.00					\$19.99			
		Line Side Inward Only Channelized PBX Trunk Port without DID			UEPPX	UEP1X	\$1.76	\$0.00	\$0.00	\$0.00	\$0.00					\$19.99			

BELLSOUTH / METROMEDIA FIBER NETWORK SERVICES RATES
 Unbundled Network Elements
 MISSISSIPPI

CATEGORY	NOTES	UNBUNDLED NETWORK ELEMENT	Interim	Zone	BCS	USOC	RATES					OSS RATES					
							Rec	First	Add'l	First	Add'l	Svc Order Submitted Elec per LSR	Svc Order Submitted Manually per LSR	Incremental Charge - Manual Svc Order vs. Electronic-1st	Incremental Charge - Manual Svc Order vs. Electronic-Add'l	Incremental Charge - Manual Svc Order vs. Electronic-Disc 1st	Incremental Charge - Manual Svc Order vs. Electronic-Disc Add'l
										Nonrecurring	Disconnect						
		2-Wire Trunk Side Unbundled Channelized DID Trunk Port			UEPPX	UEPDM	\$9.43	\$0.00	\$0.00	\$0.00	\$0.00		\$19.99				
		Feature Activations - Unbundled Loop Concentration															
		Feature (Service) Activation for each Line Side Port Terminated in D4 Bank			UEPPX	1PQWM	\$0.70	\$25.36	\$13.39	\$4.29	\$4.26		\$19.99				
		Feature (Service) Activation for each Trunk Side Port Terminated in D4 Bank			UEPPX	1PQWU	\$0.70	\$78.03	\$18.39	\$60.66	\$11.85		\$19.99				
		Telephone Number/ Group Establishment Charges for DID Service															
		DID Trunk Termination (1 per Port)			UEPPX	NDT	\$0.00										
		DID Numbers - groups of 20 - Valid all States			UEPPX	ND4	\$0.00	\$0.00	\$0.00				\$19.99				
		Non-Consecutive DID Numbers - per number			UEPPX	ND5	\$0.00	\$0.00	\$0.00				\$19.99				
		Reserve Non-Consecutive DID Numbers			UEPPX	ND6	\$0.00	\$0.00	\$0.00								
		Reserve DID Numbers			UEPPX	NDV	\$0.00	\$0.00	\$0.00								
		Local Number Portability															
		Local Number Portability - 1 per port			UEPPX	LNPCP	\$3.15	\$0.00	\$0.00								
		FEATURES - Vertical and Optional															
		Local Switching Features Offered with Line Side Ports Only															
		All Features Available			UEPPX	UEPVF	\$5.75	\$0.00	\$0.00				\$19.99				
		4-Wire DS1 Digital Loop / 4-Wire DDITS Trunk Port Combination - Conversion with Trunk Changes				UEPDC											
		Central Office Terminating Point				USAWB CTG											

BELLSOUTH / METROMEDIA FIBER NETWORK SERVICES RATES
Unbundled Network Elements
NORTH CAROLINA

CATEGORY	NOTES	UNBUNDLED NETWORK ELEMENT	Interim	Zone	BCS	USOC	RATES					OSS RATES									
							Rec	First	Add'l	First	Add'l	Svc Order Submitted Elec per LSR	Svc Order Submitted Manually per LSR	Incremental Charge - Manual Svc Order vs. Electronic-1st	Incremental Charge - Manual Svc Order vs. Electronic-Add'l	Incremental Charge - Manual Svc Order vs. Electronic-Disc 1st	Incremental Charge - Manual Svc Order vs. Electronic-Disc Add'l				
																		Nonrecurring		Nonrecurring	
																		Disconnect		Disconnect	
SOME	SOMAN	SOMAN	SOMAN	SOMAN	SOMAN	SOMAN															
Geographically Deaveraged UNE Zones and applicable rates have been established for certain services, as shown in this Agreement. Where Geographically Deaveraged UNE Zones and applicable rates are established, Statewide rates are obsolete. Further, BellSouth is in the process of enhancing its billing systems in order to accommodate this Geographically Deaveraged UNE Zone Rate Structure. Until these enhancements are accomplished, estimated to be mid 2001, the UNE Zone 1 rate will be billed for all services residing in Zones 1, 2, 3 or 4, i.e., Rates for services residing in UNE Zones 2, 3 and UNE Zone 4, where applicable, will not be billed. Once billing enhancements are complete, all applicable UNE Zone rates reflected in this Agreement will be billed. Reference Internet Website http://www.interconnection.bellsouth.com/become_clec/docs/interconnection/deavuzns.pdf to view Geographically Deaveraged UNE Zone Designations by Central Office.																					
UNBUNDLED LOCAL EXCHANGE SWITCHING(PORTS)																					
Exchange Ports																					
NOTE: Although the Port Rate includes all available features in GA & TN, the desired features will need to be ordered using retail USOCs																					
2-WIRE VOICE GRADE LINE PORT RATES (RES)																					
		Exchange Ports - 2-Wire Analog Line Port- Res.			UEPSR	UEPRL	\$2.19	\$21.60	\$21.60			\$3.50	\$26.94	\$12.76							
		Exchange Ports - 2-Wire Analog Line Port with Caller ID - Res.			UEPSR	UEPRC	\$2.19	\$21.6	\$21.60			\$3.50	\$26.94	\$12.76							
		Exchange Ports - 2-Wire Analog Line Port outgoing only - Res.			UEPSR	UEPRO	\$2.19	\$21.6	\$21.60			\$3.50	\$26.94	\$12.76							
		Exchange Ports - 2-Wire VG unbundled res, low usage line port with Caller ID (LUM)			UEPSR	UEPAP	\$2.19	\$21.60	\$21.60			\$3.50	\$26.94	\$12.76							
		Subsequent Activity			UEPSR	USASC	\$0.0	\$0.0	\$0.0			\$3.50	\$19.99								
		FEATURES																			
		All Available Vertical Features			UEPSR	UEPVF	\$3.40	\$0.0	\$0.0			\$3.5	\$26.94	\$12.76							
2-WIRE VOICE GRADE LINE PORT RATES (BUS)																					
		Exchange Ports - 2-Wire Analog Line Port without Caller ID - Bus			UEPSB	UEPBL	\$2.19	\$21.60	\$21.60			\$3.50	\$26.94	\$12.76							
		Exchange Ports - 2-Wire VG unbundled Line Port with unbundled port with Caller+E484 ID - Bus.			UEPSB	UEPBC	\$2.19	\$21.6	\$21.60			\$3.50	\$26.94	\$12.76							
		Exchange Ports - 2-Wire Analog Line Port outgoing only - Bus.			UEPSB	UEPBO	\$2.19	\$21.6	\$21.60			\$3.50	\$26.94	\$12.76							
		Exchange Ports - 2-Wire VG unbundled incoming only port with Caller ID - Bus			UEPSB	UEPB1	\$2.19	\$21.6	\$21.60			\$3.50	\$26.94	\$12.76							
		Subsequent Activity			UEPSB	USASC	\$0.0	\$0.0	\$0.0			\$3.50	\$19.99								
		FEATURES																			
		All Available Vertical Features			UEPSB	UEPVF	\$3.4	\$0.0	\$0.0			\$3.50	\$26.94	\$12.76							
EXCHANGE PORT RATES (DID & PBX)																					
		Exchange Ports - 2-Wire DID Port			UEPEX	UEPP2	\$12.36	\$108.78	\$84.60			\$3.50	\$26.94	\$12.76							
		Exchange Ports - DDITS Port - 4-Wire DS1 Port with DID capability			UEPDD	UEPDD	\$123.65	\$143.53	\$82.68			\$19.99									
		Exchange Ports - 2-Wire ISDN Port (See Notes below.)			UEPTX UEPSX	U1PMA	\$24.50	\$117.59	\$117.59			\$3.50	\$55.30	\$55.30							
		All Features Offered			UEPTX UEPSX	UEPVF	\$3.40	\$0.0	\$0.0												
NOTE: Transmission/usage charges associated with POTS circuit switched usage will also apply to circuit switched voice and/or circuit switched data transmission by B-Channels associated with 2-wire ISDN ports.																					
NOTE: Access to B Channel or D Channel Packet capabilities will be available only through BFR/New Business Request Process. Rates for the packet capabilities will be determined via the Bona Fide Request/New Business Request Process.																					
		Exchange Ports - 2-Wire ISDN Port -- Channel Profiles			UEPTX UEPSX	U1UMA	\$0.0	\$0.0	\$0.0												
		Exchange Ports - 4-Wire ISDN DS1 Port			UEPEX	UEPEX	\$179.75	\$241.63	\$241.63			\$3.50	\$53.89	\$53.89							
		2-Wire VG Unbundled 2-Way PBX Trunk - Res			UEPSE	UEPRD	\$2.18	\$21.60	\$21.60			\$3.50	\$26.94	\$12.76							
		2-Wire VG Line Side Unbundled 2-Way PBX Trunk - Bus			UEPSP	UEPPC	\$2.18	\$21.6	\$21.60			\$3.50	\$26.94	\$12.76							

BELLSOUTH / METROMEDIA FIBER NETWORK SERVICES RATES
 Unbundled Network Elements
 NORTH CAROLINA

CATEGORY	NOTES	UNBUNDLED NETWORK ELEMENT	Interim	Zone	BCS	USOC	RATES					OSS RATES					
							Rec	First	Add'l	First	Add'l	Svc Order Submitted Elec per LSR	Svc Order Submitted Manually per LSR	Incremental Charge - Manual Svc Order vs. Electronic-1st	Incremental Charge - Manual Svc Order vs. Electronic-Add'l	Incremental Charge - Manual Svc Order vs. Electronic-Disc 1st	Incremental Charge - Manual Svc Order vs. Electronic-Disc Add'l
Somec	Soman	Soman	Soman	Soman													
		2-Wire VG Line Side Unbundled Outward PBX Trunk - Bus			UEPSP	UEPPO	\$2.18	\$21.6	\$21.60			\$3.50		\$26.94	\$12.76		
		2-Wire VG Line Side Unbundled Incoming PBX Trunk - Bus			UEPSP	UEPP1	\$2.18	\$21.6	\$21.60			\$3.50		\$26.94	\$12.76		
		2-Wire Analog Long Distance Terminal PBX Trunk - Bus			UEPSP	UEPLD	\$2.18	\$21.6	\$21.60			\$3.50		\$26.94	\$12.76		
		2-Wire Analog TN 2-Way Calling Plan PBX Trunk - Bus			UEPSP	UEPT2	\$2.18	\$21.6	\$21.60			\$3.50		\$26.94	\$12.76		
		2-Wire TN Outward Calling Plan PBX Trunk - Bus			UEPSP	UEPTO	\$2.18	\$21.6	\$9.05			\$3.50		\$26.94	\$12.76		
		2-Wire Voice Unbundled PBX LD Terminal Ports			UEPSP	UEPLD	\$2.18	\$21.6	\$21.60			\$3.50		\$26.94	\$12.76		
		2-Wire Voice Unbundled 2-Way PBX Usage Port			UEPSP	UEPXA	\$2.18	\$21.6	\$21.60			\$3.50		\$26.94	\$12.76		
		2-Wire Voice Unbundled PBX Toll Terminal Hotel Ports			UEPSP	UEPXB	\$2.18	\$21.6	\$21.60			\$3.50		\$26.94	\$12.76		
		2-Wire Voice Unbundled PBX LD DDD Terminals Port			UEPSP	UEPXC	\$2.18	\$21.6	\$21.60			\$3.50		\$26.94	\$12.76		
		2-Wire Voice Unbundled PBX LD Terminal Switchboard Port			UEPSP	UEPXD	\$2.18	\$21.6	\$21.60			\$3.50		\$26.94	\$12.76		
		2-Wire Voice Unbundled PBX LD Terminal Switchboard IDD Capable Port			UEPSP	UEPXE	\$2.18	\$21.6	\$21.60			\$3.50		\$26.94	\$12.76		
		2-Wire Voice Unbundled 2-Way PBX Hotel/Hospital Economy Administrative Calling Port			UEPSP	UEPXL	\$2.18	\$21.6	\$21.60			\$3.50		\$26.94	\$12.76		
		2-Wire Voice Unbundled 2-Way PBX Hotel/Hospital Economy Room Calling Port			UEPSP	UEPXM	\$2.18	\$21.6	\$21.60			\$3.50		\$26.94	\$12.76		
		2-Wire Voice Unbundled 1-Way Outgoing PBX Hotel/Hospital Discount Room Calling Port			UEPSP	UEPXO	\$2.18	\$21.6	\$21.60			\$3.50		\$26.94	\$12.76		
		2-Wire Voice Unbundled 1-Way Outgoing PBX Measured Port			UEPSP	UEPXS	\$2.18	\$21.6	\$21.60			\$3.50		\$26.94	\$12.76		
		Subsequent Activity			UEPSP	USASC	\$0.0	\$0.0	\$0.0			\$3.50	\$19.99				
	FEATURES																
		All Available Vertical Features			UEPSP	UEPSE	\$3.4	\$0.0	\$0.0			\$3.5		\$26.94	\$12.76		
	EXCHANGE PORT RATES (COIN)																
		Exchange Ports - Coin Port					\$2.59	\$21.60	\$21.60			\$3.5		\$26.94	\$12.76		
		NOTE: Transmission/usage charges associated with POTS circuit switched usage will also apply to circuit switched voice and/or circuit switched data transmission by B-Channels associated with 2-wire ISDN ports.															
		NOTE: Access to B Channel or D Channel Packet capabilities will be available only through BFR/New Business Request Process. Rates for the packet capabilities will be determined via the Bona Fide Request/New Business Request Process.															
		UNBUNDLED LOCAL SWITCHING, PORT USAGE															
		End Office Switching (Port Usage)															
		End Office Switching Function, Per MOU						\$0.0015									
		End Office Trunk Port - Shared, Per MOU						\$0.0023									
		Tandem Switching (Port Usage) (Local or Access Tandem)															
		Tandem Switching Function Per MOU						\$0.0006									
		Tandem Trunk Port - Shared, Per MOU						\$0.0003									
		Common Transport															
		Common Transport - Per Mile, Per MOU						\$0.00001									
		Common Transport - Facilities Termination Per MOU						\$0.00034									
		UNBUNDLED PORT/LOOP COMBINATIONS															
		UNBUNDLED PORT/LOOP COMBINATIONS - COST BASED RATES															

BELLSOUTH / METROMEDIA FIBER NETWORK SERVICES RATES
Unbundled Network Elements
NORTH CAROLINA

CATEGORY	NOTES	UNBUNDLED NETWORK ELEMENT	Interim	Zone	BCS	USOC	RATES				OSS RATES							
							Rec	First	Add'l	First	Add'l	SOME C	SOMAN	SOMAN	SOMAN	SOMAN	SOMAN	SOMAN
							Nonrecurring	Nonrecurring	Disconnect	Svc Order Submitted Elec per LSR	Svc Order Submitted Manually per LSR	Incremental Charge - Manual Svc Order vs. Electronic-1st	Incremental Charge - Manual Svc Order vs. Electronic-Add'l	Incremental Charge - Manual Svc Order vs. Electronic-Disc 1st	Incremental Charge - Manual Svc Order vs. Electronic-Disc Add'l			
	Cost Based Rates are applied where BellSouth is required by FCC and/or State Commission rule to provide Unbundled Local Switching or Switch Ports.																	
	Features shall apply to the Unbundled Port/Loop Combination - Cost Based Rate section in the same manner as they are applied to the Stand-Alone Unbundled Port section of this Rate Exhibit.																	
	End Office and Tandem Switching Usage and Common Transport Usage rates in the Port section of this rate exhibit shall apply to all combinations of loop/port network elements except for UNE Coin Port/Loop Combinations.																	
	For Georgia, the recurring UNE Port and Loop charges listed apply to Currently Combined and Not Currently Combined Combos and the first and additional Port nonrecurring charges apply to Not Currently Combined Combos. For Currently Combined Combos in GA and all other states, the nonrecurring charges shall be those identified in the Nonrecurring - Currently Combined sections.																	
	2-WIRE VOICE GRADE LOOP WITH 2-WIRE LINE PORT (RES)																	
	UNE Port/Loop Combination Rates																	
	2-Wire VG Loop/Port Combo - Statewide		sw															
	UNE Loop Rates																	
	2-Wire Voice Grade Loop (SL1) - Statewide		sw	UEPRX	UEPLX													
	2-Wire Voice Grade Line Port Rates (Res)																	
	2-Wire voice unbundled port - residence			UEPRX	UEPRL		\$2.28				\$3.50		\$40.18		\$9.45			
	2-Wire voice unbundled port with Caller ID - res			UEPRX	UEPRC		\$2.28				\$3.50		\$40.18		\$9.45			
	2-Wire voice unbundled port outgoing only - res			UEPRX	UEPRO		\$2.28				\$3.50		\$40.18		\$9.45			
	2-Wire voice unbundles res, low usage line port with Caller ID (LUM)			UEPRX	UEPAP		\$2.28				\$3.50		\$40.18		\$9.45			
	FEATURES																	
	All Features Offered			UEPRX	UEPVF		\$3.4	\$0.0	\$0.0		\$3.5		\$40.18		\$9.45			
	LOCAL NUMBER PORTABILITY																	
	Local Number Portability (1 per port)			UEPRX	LNPCX		\$0.35											
	NONRECURRING CHARGES (NRCs) - CURRENTLY COMBINED																	
	2-Wire Voice Grade Loop / Line Port Combination - Conversion - Switch-as-is			UEPRX	USAC2			\$2.77	\$0.40		\$3.50		\$40.18		\$9.45			
	2-Wire Voice Grade Loop / Line Port Combination - Conversion - Switch with change			UEPRX	USACC			\$2.77	\$0.40		\$3.50		\$40.18		\$9.45			
	2-Wire Voice Grade Loop / Line Port Combination - Conversion - Subsequent Database Update								\$1.42				\$10.27					
	ADDITIONAL NRCs																	
	2-Wire Voice Grade Loop/Line Port Combination - Subsequent Activity			UEPRX	USAS2		\$0.0	\$0.0	\$0.0		\$3.50	\$19.99						
	2-WIRE VOICE GRADE LOOP WITH 2-WIRE LINE PORT (BUS)																	
	UNE Port/Loop Combination Rates																	

BELLSOUTH / METROMEDIA FIBER NETWORK SERVICES RATES
 Unbundled Network Elements
 NORTH CAROLINA

CATEGORY	NOTES	UNBUNDLED NETWORK ELEMENT	Interim	Zone	BCS	USOC	RATES				OSS RATES						
							Rec	First	Add'l	First	Add'l	Svc Order Submitted Elec per LSR	Svc Order Submitted Manually per LSR	Incremental Charge - Manual Svc Order vs. Electronic-1st	Incremental Charge - Manual Svc Order vs. Electronic-Add'l	Incremental Charge - Manual Svc Order vs. Electronic-Disc 1st	Incremental Charge - Manual Svc Order vs. Electronic-Disc Add'l
												SOME C	SOMA N	SOMA N	SOMA N	SOMA N	SOMA N
		2-Wire VG Loop/Port Combo - Statewide		sw			\$16.46										
UNE Loop Rates																	
		2-Wire Voice Grade Loop (SL1) - Statewide		sw	UEPBX	UEPLX	\$14.18										
2-Wire Voice Grade Line Port (Bus)																	
		2-Wire voice unbundled port without Caller ID - bus			UEPBX	UEPBL	\$2.28				\$3.50		\$40.18	\$9.45			
		2-Wire voice unbundled port with Caller + E484 ID - bus			UEPBX	UEPBC	\$2.28				\$3.50		\$40.18	\$9.45			
		2-Wire voice unbundled port outgoing only - bus			UEPBX	UEPBO	\$2.28				\$3.50		\$40.18	\$9.45			
		2-Wire voice unbundled incoming only port with Caller ID - Bus			UEPBX	UEPB1	\$2.28				\$3.50		\$40.18	\$9.45			
LOCAL NUMBER PORTABILITY																	
		Local Number Portability (1 per port)			UEPBX	LNPCX	\$0.35										
FEATURES																	
		All Features Offered			UEPBX	UEPVF	\$3.4	\$0.0	\$0.0		\$3.5		\$40.18	\$9.45			
NONRECURRING CHARGES (NRCs) - CURRENTLY COMBINED																	
		2-Wire Voice Grade Loop / Line Port Combination - Conversion - Switch-as-is			UEPBX	USAC2		\$2.77	\$0.40		\$3.50		\$40.18	\$9.45			
		2-Wire Voice Grade Loop / Line Port Combination - Conversion - Switch with change			UEPBX	USACC		\$2.77	\$0.40		\$3.50		\$40.18	\$9.45			
		2-Wire Voice Grade Loop / Line Port Combination - Conversion - Subsequent Database Update						\$1.42					\$10.27				
ADDITIONAL NRCs																	
		2-Wire Voice Grade Loop/Line Port Combination - Subsequent Activity			UEPBX	USAS2					\$3.5		\$40.18	\$9.45			
2-WIRE VOICE GRADE LOOP WITH 2-WIRE LINE PORT (RES - PBX)																	
UNE Port/Loop Combination Rates																	
		2-Wire VG Loop/Port Combo - Statewide		sw			\$16.46										
UNE Loop Rates																	
		2-Wire Voice Grade Loop (SL 1) - Statewide		sw	UEPRG	UEPLX	\$14.18										
2-Wire Voice Grade Line Port Rates (RES - PBX)																	
		2-Wire VG Unbundled Combination 2-Way PBX Trunk Port - Res			UEPRG	UEPRD	\$2.28				\$3.50		\$40.18	\$9.45			
LOCAL NUMBER PORTABILITY																	
		Local Number Portability (1 per port)			UEPRG	LNPCP	\$3.5										
FEATURES																	
		All Features Offered			UEPRG	UEPVF	\$3.4	\$0.0	\$0.0		\$3.5		\$40.18	\$9.45			
NONRECURRING CHARGES (NRCs) - CURRENTLY COMBINED																	
		2-Wire Voice Grade Loop/ Line Port Combination (PBX) - Conversion - Switch-As-Is			UEPRG	USAC2		\$2.77	\$0.40		\$3.50		\$40.18	\$9.45			
		2-Wire Voice Grade Loop/ Line Port Combination (PBX) - Conversion - Switch with Change			UEPRG	USACC		\$2.77	\$0.40		\$3.50		\$40.18	\$9.45			
		2-Wire Voice Grade Loop / Line Port Combination - Conversion - Subsequent Database Update						\$1.42					\$10.27				
ADDITIONAL NRCs																	
		2-Wire Voice Grade Loop/ Line Port Combination (PBX) - Subsequent Activity			UEPRG	USAS2	\$0.0	\$0.0	\$0.0		\$3.50	\$19.99					
		PBX Subsequent Activity - Change/Rearrange Multiline Hunt Group						\$14.64	\$14.64		\$3.5	\$19.99					

BELLSOUTH / METROMEDIA FIBER NETWORK SERVICES RATES
Unbundled Network Elements
NORTH CAROLINA

CATEGORY	NOTES	UNBUNDLED NETWORK ELEMENT	Interim	Zone	BCS	USOC	RATES				OSS RATES										
							Rec	First	Add'l	First	Add'l	Svc Order Submitted Elec per LSR	Svc Order Submitted Manually per LSR	Incremental Charge - Manual Svc Order vs. Electronic-1st	Incremental Charge - Manual Svc Order vs. Electronic-Add'l	Incremental Charge - Manual Svc Order vs. Electronic-Disc 1st	Incremental Charge - Manual Svc Order vs. Electronic-Disc Add'l				
																		Nonrecurring		Nonrecurring	
																		Disconnect		Disconnect	
SOME C	SOMAN	SOMAN	SOMAN	SOMAN	SOMAN																
		2-WIRE VOICE GRADE LOOP WITH 2-WIRE LINE PORT (BUS - PBX)																			
		UNE Port/Loop Combination Rates																			
		2-Wire VG Loop/Port Combo - Statewide		sw			\$16.46														
		UNE Loop Rates																			
		2-Wire Voice Grade Loop (SL 1) - Statewide		sw	UEPPX	UEPLX	\$14.18														
		2-Wire Voice Grade Line Port Rates (BUS - PBX)																			
		Line Side Unbundled Combination 2-Way PBX Trunk Port - Bus			UEPPX	UEPPC	\$2.28				\$3.50		\$40.18	\$9.45							
		Line Side Unbundled Outward PBX Trunk Port - Bus			UEPPX	UEPPO	\$2.28				\$3.50		\$40.18	\$9.45							
		Line Side Unbundled Incoming PBX Trunk Port - Bus			UEPPX	UEPP1	\$2.28				\$3.50		\$40.18	\$9.45							
		2-Wire Voice Unbundled PBX LD Terminal Ports			UEPPX	UEPLD	\$2.28				\$3.50		\$40.18	\$9.45							
		2-Wire Voice Unbundled 2-Way Combination PBX Usage Port			UEPPX	UEPXA	\$2.28				\$3.50		\$40.18	\$9.45							
		2-Wire Voice Unbundled PBX Toll Terminal Hotel Ports			UEPPX	UEPXB	\$2.28				\$3.50		\$40.18	\$9.45							
		2-Wire Voice Unbundled PBX LD DDD Terminals Port			UEPPX	UEPXC	\$2.28				\$3.50		\$40.18	\$9.45							
		2-Wire Voice Unbundled PBX LD Terminal Switchboard Port			UEPPX	UEPXD	\$2.28				\$3.50		\$40.18	\$9.45							
		2-Wire Voice Unbundled PBX LD Terminal Switchboard IDD Capable Port			UEPPX	UEPXE	\$2.28				\$3.50		\$40.18	\$9.45							
		2-Wire Voice Unbundled 2-Way PBX Hotel/Hospital Economy Administrative Calling Port			UEPPX	UEPXL	\$2.28				\$3.50		\$40.18	\$9.45							
		2-Wire Voice Unbundled 2-Way PBX Hotel/Hospital Economy Room Calling Port			UEPPX	UEPXM	\$2.28				\$3.50		\$40.18	\$9.45							
		2-Wire Voice Unbundled 1-Way Outgoing PBX Hotel/Hospital Discount Room Calling Port			UEPPX	UEPXO	\$2.28				\$3.50		\$40.18	\$9.45							
		2-Wire Voice Unbundled 1-Way Outgoing PBX Measured Port			UEPPX	UEPXS	\$2.28				\$3.50		\$40.18	\$9.45							
		LOCAL NUMBER PORTABILITY																			
		Local Number Portability (1 per port)			UEPPX	LNPCP	\$3.15														
		FEATURES																			
		All Features Offered			UEPPX	UEPVF	\$3.4	\$0.0	\$0.0		\$3.5		\$40.18	\$9.45							
		NONRECURRING CHARGES (NRCs) - CURRENTLY COMBINED																			
		2-Wire Voice Grade Loop/ Line Port Combination (PBX) - Conversion - Switch-As-Is			UEPPX	USAC2		\$2.77	\$0.40		\$3.50		\$40.18	\$9.45							
		2-Wire Voice Grade Loop/ Line Port Combination (PBX) - Conversion - Switch with Change			UEPPX	USACC		\$2.77	\$0.40		\$3.50		\$40.18	\$9.45							
		2-Wire Voice Grade Loop / Line Port Combination - Conversion - Subsequent Database Update						\$1.42					\$10.27								
		ADDITIONAL NRCs																			
		2-Wire Voice Grade Loop/ Line Port Combination (PBX) - Subsequent Activity			UEPPX	USAS2	\$0.0	\$0.0	\$0.0		\$3.50	\$19.99									
		PBX Subsequent Activity - Change/Rearrange Multiline Hunt Group						\$14.64	\$14.64		\$3.5	\$19.99									
		2-WIRE VOICE GRADE LOOP WITH 2-WIRE ANALOG LINE COIN PORT																			
		UNE Port/Loop Combination Rates																			
		2-Wire VG Coin Port/Loop Combo - Statewide					\$16.80														
		UNE Loop Rates																			
		2-Wire Voice Grade Loop (SL1) - Statewide			UEPCO	UEPLX	\$14.18														
		2-Wire Voice Grade Line Ports (COIN)																			
		2-Wire Coin 2-Way without Operator Screening and without Blocking (NC)			UEPCO	UEPND	\$2.62				\$3.5		\$40.18	\$9.45							
		2-Wire Coin 2-Way with Operator Screening (NC)			UEPCO	UEPNC	\$2.62				\$3.5		\$40.18	\$9.45							

BELLSOUTH / METROMEDIA FIBER NETWORK SERVICES RATES
Unbundled Network Elements
NORTH CAROLINA

CATEGORY	NOTES	UNBUNDLED NETWORK ELEMENT	Interim	Zone	BCS	USOC	RATES					OSS RATES					
							Rec	First	Add'l	First	Add'l	Svc Order Submitted Elec per LSR	Svc Order Submitted Manually per LSR	Incremental Charge - Manual Svc Order vs. Electronic-1st	Incremental Charge - Manual Svc Order vs. Electronic-Add'l	Incremental Charge - Manual Svc Order vs. Electronic-Disc 1st	Incremental Charge - Manual Svc Order vs. Electronic-Disc Add'l
										Nonrecurring	Disconnect						
		2-Wire Coin 2-Way with Operator Screening and Blocking: 011, 900/976, 1+DDD (NC, TN)			UEPCO	UEPRP	\$2.62						\$3.5	\$40.18	\$9.45		
		2-Wire Coin 2-Way with Operator Screening and 011 Blocking (NC)			UEPCO	UEPNB	\$2.62						\$3.5	\$40.18	\$9.45		
		2-Wire Coin 2-Way with Operator Screening: 900 Blocking: 900/976, 1+DDD, 011+, and Local (NC, TN)			UEPCO	UEPCA	\$2.62						\$3.5	\$40.18	\$9.45		
		2-Wire Coin Outward with Operator Screening and 011 Blocking (NC)			UEPCO	UEPNE	\$2.62						\$3.5	\$40.18	\$9.45		
		2-Wire Coin Outward with Operator Screening and Blocking: 900/976, 1+DDD, 011+, and Local (NC)			UEPCO	UEPCL	\$2.62						\$3.5	\$40.18	\$9.45		
		2-Wire 2-Way Smartline with 900/976 (all states except LA)			UEPCO	UEPCK	\$2.62						\$3.5	\$40.18	\$9.45		
		2-Wire Coin Outward Smartline with 900/976 (all states except LA)			UEPCO	UEPCR	\$2.62						\$3.5	\$40.18	\$9.45		
		ADDITIONAL UNE COIN PORT/LOOP (RC)															
		UNE Coin Port/Loop Combo Usage (Flat Rate)			UEPCO	URECU	\$3.7	\$0.0	\$0.0								
		LOCAL NUMBER PORTABILITY															
		Local Number Portability (1 per port)			UEPCO	LNPCX	\$0.35										
		NONRECURRING CHARGES - CURRENTLY COMBINED															
		2-Wire Voice Grade Loop / Line Port Combination - Conversion - Switch-as-is			UEPCO	USAC2		\$2.77	\$0.40				\$3.5	\$40.18	\$9.45		
		2-Wire Voice Grade Loop / Line Port Combination - Conversion - Switch with change			UEPCO	USACC		\$2.77	\$0.40				\$3.5	\$40.18	\$9.45		
		ADDITIONAL NRCs															
		2-Wire Voice Grade Loop/Line Port Combination - Subsequent Activity			UEPCO	USAS2		\$0.0	\$0.0				\$3.5	\$40.18	\$9.45		
		2-WIRE VOICE GRADE LOOP- BUS ONLY - WITH 2-WIRE DID TRUNK PORT															
		UNE Port/Loop Combination Rates															
		2-Wire VG Loop/2-Wire DID Trunk Port Combo - Statewide		sw			\$31.07										
		UNE Loop Rates															
		2-Wire Analog Voice Grade Loop - (SL2) - Statewide		sw			\$19.50	\$142.97	\$106.56				\$19.99				
		UNE Port Rate															
		Exchange Ports - 2-Wire DID Port			UEPPX	UEPD1	\$12.36	\$108.78	\$94.60				\$19.99				
		NONRECURRING CHARGES - CURRENTLY COMBINED															
		2-Wire Voice Grade Loop / 2-Wire DID Trunk Port Combination - Switch-as-is			UEPPX	USAC1		\$13.26	\$8.39				\$19.99				
		2-Wire Voice Grade Loop / 2-Wire DID Trunk Port Conversion with BellSouth Allowable Changes			UEPPX	USA1C		\$13.26	\$8.39				\$19.99				
		ADDITIONAL NRCs															
		2-Wire DID Subsequent Activity - Add Trunks, Per Trunk			UEPPX	USAS1		\$53.49					\$19.99				
		Telephone Number/Trunk Group Establishment Charges															
		DID Trunk Termination (One Per Port)			UEPPX	NDT	\$0.00	\$0.0	\$0.0				\$19.99				
		DID Numbers, Establish Trunk Group and Provide First Group of 20 DID Numbers			UEPPX	NDZ	\$0.00	\$0.0	\$0.0				\$19.99				
		Additional DID Numbers for each Group of 20 DID Numbers			UEPPX	ND4	\$0.00	\$0.0	\$0.0				\$19.99				
		DID Numbers, Non- consecutive DID Numbers , Per Number			UEPPX	ND5	\$0.00	\$0.0	\$0.0				\$19.99				
		Reserve Non-Consecutive DID numbers			UEPPX	ND6	\$0.00	\$0.00	\$0.00				\$19.99				
		Reserve DID Numbers			UEPPX	NDV	\$0.00	\$0.00	\$0.00				\$19.99				
		LOCAL NUMBER PORTABILITY															

BELLSOUTH / METROMEDIA FIBER NETWORK SERVICES RATES
Unbundled Network Elements
NORTH CAROLINA

CATEGORY	NOTES	UNBUNDLED NETWORK ELEMENT	Interim	Zone	BCS	USOC	RATES				OSS RATES								
							Rec	First	Add'l	First	Add'l	SOME C	SOMAN	SOMAN	SOMAN	SOMAN	SOMAN	SOMAN	
							Nonrecurring			Nonrecurring									
										Disconnect									
											Svc Order Submitted Elec per LSR	Svc Order Submitted Manually per LSR	Incremental Charge - Manual Svc Order vs. Electronic-1st	Incremental Charge - Manual Svc Order vs. Electronic-Add'l	Incremental Charge - Manual Svc Order vs. Electronic-Disc 1st	Incremental Charge - Manual Svc Order vs. Electronic-Disc Add'l			
		Local Number Portability (1 per port)			UEPPX	LNPCP	\$3.15												
		2-WIRE ISDN DIGITAL GRADE LOOP WITH 2-WIRE ISDN DIGITAL LINE SIDE PORT																	
		UNE Port/Loop Combination Rates																	
		2W ISDN Digital Grade Loop/2W ISDN Digital Line Side Port - Statewide		sw	UEPPB UEPPR		\$44.49												
		UNE Loop Rates																	
		2-Wire ISDN Digital Grade Loop - Statewide		sw	UEPPB UEPPR	USL2X	\$20.12	\$325.91	\$251.31				\$19.99						
		UNE Port Rate																	
		Exchange Port - 2-Wire ISDN Line Side Port			UEPPB UEPPR	UEPPB	\$24.37	\$117.59	\$117.59				\$19.99						
		NONRECURRING CHARGES - CURRENTLY COMBINED																	
		2-Wire ISDN Digital Grade Loop / 2-Wire ISDN Line Side Port Combination - Conversion			UEPPB UEPPR	USACB	\$0.0	\$174.35	\$174.35				\$19.99						
		ADDITIONAL NRCs																	
		LOCAL NUMBER PORTABILITY																	
		Local Number Portability (1 per port)			UEPPB UEPPR	LNPCX	\$0.35	\$0.00	\$0.00										
		B-CHANNEL USER PROFILE ACCESS:																	
		CVS/CSD (DMS/5ESS)			UEPPB UEPPR	U1UCA	\$0.00	\$0.00	\$0.00										
		CVS (EWSD)			UEPPB UEPPR	U1UCB	\$0.00	\$0.00	\$0.00										
		CSD			UEPPB UEPPR	U1UCC	\$0.00	\$0.00	\$0.00										
		B-CHANNEL AREA PLUS USER PROFILE ACCESS: (AL,KY,LA,MS SC,MS, & TN)																	
		USER TERMINAL PROFILE																	
		User Terminal Profile (EWSD only)			UEPPB UEPPR	U1UMA	\$0.00	\$0.00	\$0.00										
		VERTICAL FEATURES																	
		All Vertical Features - One per Channel B User Profile			UEPPB UEPPR	UEPVF	\$3.40	\$0.00	\$0.00										
		INTEROFFICE CHANNEL MILEAGE																	
		Interoffice Channel mileage each, including first mile and facilities termination			UEPPB UEPPR	M1GNC	\$17.42	\$137.48	\$52.58				\$0.0						
		Interoffice Channel mileage each, additional mile			UEPPB UEPPR	M1GNM	\$0.0282	\$0.0	\$0.0			\$0.0	\$0.0						
		4-WIRE DS1 DIGITAL LOOP WITH 4-WIRE ISDN DS1 DIGITAL TRUNK PORT																	
		UNE Port/Loop Combination Rates																	
		4W DS1 Digital Loop/4W ISDN DS1 Digital Trunk Port - Statewide		sw	UEPPP		\$241.72												
		UNE Loop Rates																	
		4-Wire DS1 Digital Loop - UNE Zone 3		3	UEPPP	USL4P													
		UNE Port Rate																	
		Exchange Ports - 4-Wire ISDN DS1 Port			UEPPP	UEPPP	\$179.01	\$241.63	\$241.63				\$19.99						
		NONRECURRING CHARGES - CURRENTLY COMBINED																	
		4-Wire DS1 Digital Loop / 4-Wire ISDN DS1 Digital Trunk Port Combination - Conversion -Switch-as-is			UEPPP	USACP	\$0.00	\$481.51	\$481.51				\$19.99						
		ADDITIONAL NRCs																	

BELLSOUTH / METROMEDIA FIBER NETWORK SERVICES RATES
Unbundled Network Elements
NORTH CAROLINA

CATEGORY	NOTES	UNBUNDLED NETWORK ELEMENT	Interim	Zone	BCS	USOC	RATES				OSS RATES																
							Rec	First	Add'l	First	Add'l	SOME C	SOMAN	SOMAN	SOMAN	SOMAN	SOMAN	SOMAN									
																			Nonrecurring	Nonrecurring	Disconnect	Svc Order Submitted Elec per LSR	Svc Order Submitted Manually per LSR	Incremental Charge - Manual Svc Order vs. Electronic-1st	Incremental Charge - Manual Svc Order vs. Electronic-Add'l	Incremental Charge - Manual Svc Order vs. Electronic-Disc 1st	Incremental Charge - Manual Svc Order vs. Electronic-Disc Add'l
		4-Wire DS1 Loop / 4-Wire ISDN DS1 Digital Trunk Port - Subsequent Inward/2-Way Tel Nos - NC Only			UEPPP	PR7TG		\$1.17	\$1.17			\$19.99															
		4-Wire DS1 Loop/4-Wire ISDN Digital Trunk Port - Subsequent Activity Outward tel nos. (NC only)			UEPPP	PR7TP		\$28.17	\$28.17			\$19.99															
		4-Wire DS1 Loop / 4-Wire ISDN DS1 Digital Trk Port - Subsequent Inward Tel Nos Above Std Allowance			UEPPP	PR7ZT		\$56.33	\$56.33			\$19.99															
		LOCAL NUMBER PORTABILITY																									
		Local Number Portability (1 per port)			UEPPP	LNPCN		\$1.75																			
		INTERFACE (Provisioning Only)																									
		Voice/Data			UEPPP	PR71V		\$0.00	\$0.00	\$0.00																	
		Digital Data			UEPPP	PR71D		\$0.00	\$0.00	\$0.00																	
		Inward Data			UEPPP	PR71E		\$0.00	\$0.00	\$0.00																	
		New or Additional "B" Channel																									
		New or Additional - Voice/Data B Channel			UEPPP	PR7BV		\$0.00	\$36.92			\$19.99															
		New or Additional - Digital Data B Channel			UEPPP	PR7BF		\$0.00	\$36.92			\$19.99															
		New or Additional Inward Data B Channel			UEPPP	PR7BD		\$0.00	\$36.92			\$19.99															
		New or Additional Usage Sensitive Voice Data B Channel			UEPPP	PR7BS		\$0.00	\$36.92			\$19.19															
		New or Additional Usage Sensitive Digital Data B Channel			UEPPP	PR7BU		\$0.00	\$36.92			\$19.99															
		CALL TYPES																									
		Inward			UEPPP	PR7C1		\$0.0	\$0.0	\$0.0																	
		Outward			UEPPP	PR7C0		\$0.00	\$0.00	\$0.00																	
		Two-way			UEPPP	PR7CC		\$0.00	\$0.00	\$0.00																	
		Interoffice Channel Mileage																									
		Fixed Each Including First Mile			UEPPP	1LN1A		\$71.3683	\$217.17	\$163.75	\$0.00		\$19.99														
		Each Airline-Fractional Additional Mile			UEPPP	1LN1B		\$0.0783																			
		4-WIRE DS1 DIGITAL LOOP WITH 4-WIRE DDITS TRUNK PORT																									
		UNE Port/Loop Combination Rates																									
		4W DS1 Digital Loop/4W DDITS Trunk Port - Statewide		sw	UEPDC			\$186.23					\$19.99														
		UNE Loop Rates																									
		4-Wire DS1 Digital Loop - Statewide		sw	UEPDC	USLDC		\$62.71	\$714.84	\$482.62			\$19.99														
		UNE Port Rate																									
		4-Wire DDITS Digital Trunk Port			UEPDC	UDD1T		\$123.65	\$116.59	\$69.92			\$19.99														
		NONRECURRING CHARGES - CURRENTLY COMBINED																									
		4-Wire DS1 Digital Loop / 4-Wire DDITS Trunk Port Combination - Switch-as-is			UEPDC	USAC4			\$288.86	\$133.87			\$19.99														
		4-Wire DS1 Digital Loop / 4-Wire DDITS Trunk Port Combination - Conversion with DS1 Changes			UEPDC	USAWA			\$288.86	\$133.37			\$19.99														
		4-Wire DS1 Digital Loop / 4-Wire DDITS Trunk Port Combination - Conversion with Change - Trunk			UEPDC	USAWB			\$288.86	\$133.37			\$19.99														
		ADDITIONAL NRCs																									
		4-Wire DS1 Loop / 4-Wire DDITS Trunk Port - Subsequent Service Activity Per Service Order			UEPDC	USAS4			\$127.63	\$127.63																	
		4-Wire DS1 Loop / 4-Wire DDITS Trunk Port - NRC - Subsequent Channel Activation/Chan - 2-Way Trunk			UEPDC	UDTTA			\$28.81	\$28.81			\$19.99														
		4-Wire DS1 Loop / 4-Wire DDITS Trunk Port - Subsequent Channel Activation/Chan - 1-Way Outward Trunk			UEPDC	UDTTB			\$28.81	\$28.81			\$19.99														
		4-Wire DS1 Loop / 4-Wire DDITS Trunk Port - Subsqt Channel Activation/Chan Inward Trunk w/out DID			UEPDC	UDTTC			\$28.81	\$28.81			\$19.99														

BELLSOUTH / METROMEDIA FIBER NETWORK SERVICES RATES
Unbundled Network Elements
NORTH CAROLINA

CATEGORY	NOTES	UNBUNDLED NETWORK ELEMENT	Interim	Zone	BCS	USOC	RATES				OSS RATES											
							Rec	First	Add'l	First	Add'l	SOME C	SOMAN	SOMAN	SOMAN	SOMAN	SOMAN	SOMAN				
																			Nonrecurring	Nonrecurring	Nonrecurring	Nonrecurring
																			Disconnect	Disconnect	Disconnect	Disconnect
Svc Order Submitted Elec per LSR	Svc Order Submitted Manually per LSR	Incremental Charge - Manual Svc Order vs. Electronic-1st	Incremental Charge - Manual Svc Order vs. Electronic-Add'l	Incremental Charge - Manual Svc Order vs. Electronic-Disc 1st	Incremental Charge - Manual Svc Order vs. Electronic-Disc Add'l																	
		4-Wire DS1 Loop / 4-Wire DDITS Trunk Port - Subsqt Chan Activation Per Chan - Inward Trunk with DID			UEPDC	UDTTD		\$28.81	\$28.81													
		4-Wire DS1 Loop / 4-Wire DDITS Trunk Port - Subsqt Chan Activation / Chan - 2-Way DID w User Trans			UEPDC	UDTTE		\$28.81	\$28.81			\$19.99										
		BIPOLAR 8 ZERO SUBSTITUTION																				
		B8ZS -Superframe Format			UEPDC	CCOSF		\$0.0	\$615.00			\$19.99										
		B8ZS - Extended Superframe Format			UEPDC	CCOEF		\$0.0	\$615.00			\$19.99										
		Alternate Mark Inversion																				
		AMI -Superframe Format			UEPDC	MCOSF		\$0.00	\$0.00													
		AMI - Extended SuperFrame Format			UEPDC	MCOPO		\$0.00	\$0.00													
		Telephone Number/Trunk Group Establishment Charges																				
		Telephone Number for 2-Way Trunk Group			UEPDC	UDTGX	\$0.00															
		Telephone Number for 1-Way Outward Trunk Group			UEPDC	UDTGY	\$0.00					\$19.99										
		Telephone Number for 1-Way Inward Trunk Group Without DID			UEPDC	UDTGZ	\$0.00					\$19.99										
		DID Numbers, Establish Trunk Group and Provide First Group of 20 DID Numbers			UEPDC	NDZ	\$0.00	\$0.00	\$0.00			\$19.99										
		DID Numbers for each Group of 20 DID Numbers			UEPDC	ND4	\$0.00					\$19.99										
		DID Numbers, Non- consecutive DID Numbers , Per Number			UEPDC	ND5	\$0.00					\$19.99										
		Reserve Non-Consecutive DID Nos.			UEPDC	ND6	\$0.00	\$0.00	\$0.00			\$19.99										
		Reserve DID Numbers			UEPDC	NDV	\$0.00	\$0.00	\$0.00			\$19.99										
		Dedicated DS1 (Interoffice Channel Mileage) - FX/FCO for 4-Wire DS1 Digital Loop with 4-Wire DDITS Trunk Port																				
		Interoffice Channel Mileage - Fixed rate 0-8 miles (Facilities Termination)			UEPDC	1LNO1	\$71.29	\$217.17	\$163.75	\$0.00	\$0.00	\$19.99										
		Interoffice Channel Mileage - Additional rate per mile - 0-8 miles			UEPDC	1LNOA	\$0.0783	\$0.00	\$0.00			\$19.99										
		Interoffice Channel Mileage - Fixed rate 9-25 miles (Facilities Termination)			UEPDC	1LNO2	\$0.0000	\$0.0	\$0.0													
		Interoffice Channel Mileage - Additional rate per mile - 9-25 miles			UEPDC	1LNOB	\$0.0783	\$0.00	\$0.00													
		Interoffice Channel Mileage - Fixed rate 25+ miles (Facilities Termination)			UEPDC	1LNO3	\$0.00	\$0.00	\$0.00	\$0.00												
		Interoffice Channel Mileage - Additional rate per mile - 25+ miles			UEPDC	1LNOC	\$0.0783	\$0.00	\$0.00													
		Local Number Portability, per DS0 Activated			UEPDC	LNPCP	\$3.15	\$0.00	\$0.00	\$0.00												
		Central Office Terminating Point			UEPDC	CTG	\$0.00															
		4-WIRE DS1 LOOP WITH CHANNELIZATION WITH PORT																				
		System is 1 DS1 Loop, 1 D4 Channel Bank, and up to 24 Feature Activations																				
		Each System can have up to 24 combinations of rates depending on type and number of ports used																				
		UNE DS1 Loop																				
		4-Wire DS1 Loop - UNE Zone 1			UEPMG	USLDC	\$62.71	\$0.00	\$0.00			\$19.99										
		UNE DSO Channelization Capacities (D4 Channel Bank Configurations)																				
		24 DSO Channel Capacity - 1 per DS1			UEPMG	VUM24	\$123.06	\$0.00	\$0.00			\$19.99										
		48 DSO Channel Capacity - 1 per 2 DS1s			UEPMG	VUM48	\$246.12	\$0.00	\$0.00			\$19.99										
		96 DSO Channel Capacity - 1per 4 DS1s			UEPMG	VUM96	\$492.24	\$0.00	\$0.00			\$19.99										
		144 DSO Channel Capacity - 1 per 6 DS1s			UEPMG	VUM14	\$738.36	\$0.00	\$0.00			\$19.99										
		192 DSO Channel Capacity -1 per 8 DS1s			UEPMG	VUM19	\$984.48	\$0.00	\$0.00			\$19.99										
		240 DSO Channel Capacity - 1 per 10 DS1s			UEPMG	VUM20	\$1,230.60	\$0.00	\$0.00			\$19.99										
		288 DSO Channel Capacity - 1 per 12 DS1s			UEPMG	VUM28	\$1,476.72	\$0.00	\$0.00			\$19.99										

BELLSOUTH / METROMEDIA FIBER NETWORK SERVICES RATES
 Unbundled Network Elements
 NORTH CAROLINA

CATEGORY	NOTES	UNBUNDLED NETWORK ELEMENT	Interim	Zone	BCS	USOC	RATES					OSS RATES						
							Rec	First	Add'l	First	Add'l	SOME C	SOMA N	SOMA N	SOMA N	SOMA N	SOMA N	
							Nonrecurring			Nonrecurring								
										Disconnect								
										Svc Order Submitted Elec per LSR	Svc Order Submitted Manually per LSR	Incremental Charge - Manual Svc Order vs. Electronic-1st	Incremental Charge - Manual Svc Order vs. Electronic-Add'l	Incremental Charge - Manual Svc Order vs. Electronic-Disc 1st	Incremental Charge - Manual Svc Order vs. Electronic-Disc Add'l			
		384 DS0 Channel Capacity - 1 per 16 DS1s			UEPMG	VUM38	\$1,968.96	\$0.00	\$0.00									
		480 DS0 Channel Capacity - 1 per 20 DS1s			UEPMG	VUM40	\$2,461.20	\$0.00	\$0.00									
		576 DS0 Channel Capacity -1 per 24 DS1s			UEPMG	VUM57	\$2,953.44	\$0.00	\$0.00									
		672 DS0 Channel Capacity - 1 per 28 DS1s			UEPMG	VUM67	\$3,445.68	\$0.00	\$0.00									
		Non-Recurring Charges (NRC) Associated with 4-Wire DS1 Loop with Channelization with Port - Conversion Charge Based on a System																
		A Minimum System configuration is One (1) DS1, One (1) D4 Channel Bank, and Up To 24 DS0 Ports with Feature Activations.																
		Multiples of this configuration functioning as one are considered Add'l after the minimum system configuration is counted.																
		NRC - Conversion (Currently Combined) with or without BellSouth Allowed Changes			UEPMG	USAC4	\$0.00	\$330.61	\$16.64									
		System Additions at End User Locations Where 4-Wire DS1 Loop with Channelization with Port Combination Currently Exists and																
		New (Not Currently Combined) In Georgia Only																
		NRC - 1 DS1/D4 Channel Bank - Add NRC for each Port and Assoc Feature Activation - New GA Only			UEPMG	VUMD4	\$0.00	\$743.74	\$326.22	\$149.02	\$17.68							
		Bipolar 8 Zero Substitution																
		Clear Channel Capability Format, superframe - Subsequent Activity Only			UEPMG	CCOSF	\$0.00	\$0.00	\$615.00									
		Clear Channel Capability Format - Extended Superframe - Subsequent Activity Only			UEPMG	CCOEF	\$0.00	\$0.00	\$615.00									
		Alternate Mark Inversion (AMI)																
		Superframe Format			UEPMG	MCOSF	\$0.00	\$0.00	\$0.00									
		Extended Superframe Format			UEPMG	MCOPO	\$0.00	\$0.00	\$0.00									
		Exchange Ports Associated with 4-Wire DS1 Loop with Channelization with Port																
		Exchange Ports																
		Line Side Combination Channelized PBX Trunk Port - Business			UEPPX	UEPCX	\$2.28	\$0.00	\$0.00	\$0.00	\$0.00							
		Line Side Outward Channelized PBX Trunk Port - Business			UEPPX	UEPOX	\$2.28	\$0.00	\$0.00	\$0.00	\$0.00							
		Line Side Inward Only Channelized PBX Trunk Port without DID			UEPPX	UEP1X	\$2.28	\$0.00	\$0.00	\$0.00	\$0.00							
		2-Wire Trunk Side Unbundled Channelized DID Trunk Port			UEPPX	UEPDM	\$13.26	\$0.00	\$0.00	\$0.00	\$0.00							
		Feature Activations - Unbundled Loop Concentration																
		Feature (Service) Activation for each Line Side Port Terminated in D4 Bank			UEPPX	1PQWM	\$0.65	\$25.27	\$13.34	\$4.15	\$4.12							
		Feature (Service) Activation for each Trunk Side Port Terminated in D4 Bank			UEPPX	1PQUW	\$0.65	\$77.75	\$18.33	\$58.74	\$11.48							
		Telephone Number/ Group Establishment Charges for DID Service																
		DID Trunk Termination (1 per Port)			UEPPX	NDT	\$0.00											
		Estab Trk Grp and Provide 1st 20 DID Nos. (FL,GA, NC, & SC)			UEPPX	NDZ	\$0.00	\$0.00	\$0.00									
		DID Numbers - groups of 20 - Valid all States			UEPPX	ND4	\$0.00	\$0.00	\$0.00									
		Non-Consecutive DID Numbers - per number			UEPPX	ND5	\$0.00	\$0.00	\$0.00									
		Reserve Non-Consecutive DID Numbers			UEPPX	ND6	\$0.00	\$0.00	\$0.00									
		Reserve DID Numbers			UEPPX	NDV	\$0.00	\$0.00	\$0.00									
		Local Number Portability																
		Local Number Portability - 1 per port			UEPPX	LNPCP	\$3.15	\$0.00	\$0.00									
		FEATURES - Vertical and Optional																
		Local Switching Features Offered with Line Side Ports Only																

BELLSOUTH / METROMEDIA FIBER NETWORK SERVICES RATES
Unbundled Network Elements
SOUTH CAROLINA

CATEGORY	NOTES	UNBUNDLED NETWORK ELEMENT	Interim	Zone	BCS	USOC	Rec	RATES				OSS RATES														
								First	Add'l	First	Add'l	SOME C	SOMAN	SOMAN	SOMAN	SOMAN	SOMAN	Incremental Charge - Manual Order vs. Electronic-Disc 1st	Incremental Charge - Manual Svc Order vs. Electronic-Disc Add'l							
																				Nonrecurring		Nonrecurring				
																				Disconnect		Disconnect				
Geographically Deaveraged UNE Zones and applicable rates have been established for certain services, as shown in this Agreement. Where Geographically Deaveraged UNE Zones and applicable rates are established, Statewide rates are obsolete. Further, BellSouth is in the process of enhancing its billing systems in order to accommodate this Geographically Deaveraged UNE Zone Rate Structure. Until these enhancements are accomplished, estimated to be mid 2001, the UNE Zone 1 rate will be billed for all services residing in Zones 1, 2, 3 or 4, i.e., Rates for services residing in UNE Zones 2, 3 and UNE Zone 4, where applicable, will not be billed. Once billing enhancements are complete, all applicable UNE Zone rates reflected in this Agreement will be billed. Reference Internet Website http://www.interconnection.bellsouth.com/become_clec/docs/interconnection/deavuzns.pdf to view Geographically Deaveraged UNE Zone Designations by Central Office.																										
UNBUNDLED LOCAL EXCHANGE SWITCHING(PORTS)																										
		Exchange Ports																								
		NOTE: Although the Port Rate includes all available features in GA & TN, the desired features will need to be ordered using retail USOCs																								
		2-WIRE VOICE GRADE LINE PORT RATES (RES)																								
		Exchange Ports - 2-Wire Analog Line Port- Res.			UEPSR	UEPRL	\$2.35	\$24.98	\$24.98				\$3.50		\$44.42	\$14.63										
		Exchange Ports - 2-Wire Analog Line Port with Caller ID - Res.			UEPSR	UEPRC	\$2.35	\$24.98	\$24.98				\$3.50		\$44.42	\$14.63										
		Exchange Ports - 2-Wire Analog Line Port outgoing only - Res.			UEPSR	UEPRO	\$2.35	\$24.98	\$24.98				\$3.50		\$44.42	\$14.63										
		Exchange Ports - 2-Wire VG unbundled SC extended local dialing parity Port with Caller ID - Res.			UEPSR	UEPAU	\$2.35	\$24.98	\$24.98				\$3.50		\$44.42	\$14.63										
		Exchange Ports - 2-Wire VG unbundled South Carolina Area Calling port with Caller ID - Res (LWB)			UEPSR	UEPAJ	\$2.35	\$24.98	\$24.98				\$3.50		\$44.42	\$14.63										
		Exchange Ports - 2-Wire VG unbundled res, low usage line port with Caller ID (LUM)			UEPSR	UEPAP	\$2.35	\$24.98	\$24.98				\$3.50		\$44.42	\$14.63										
		Subsequent Activity			UEPSR	USASC	\$0.0	\$0.0	\$0.0				\$3.5	\$19.99												
		FEATURES																								
		All Available Vertical Features			UEPSR	UEPVF	\$6.29	\$0.0	\$0.0				\$3.5		\$44.42	\$14.63										
		2-WIRE VOICE GRADE LINE PORT RATES (BUS)																								
		Exchange Ports - 2-Wire Analog Line Port without Caller ID - Bus			UEPSB	UEPBL	\$2.35	\$24.98	\$24.98				\$3.50		\$44.42	\$14.63										
		Exchange Ports - 2-Wire VG unbundled Line Port with unbundled port with Caller+E484 ID - Bus.			UEPSB	UEPBC	\$2.35	\$24.98	\$24.98				\$3.50		\$44.42	\$14.63										
		Exchange Ports - 2-Wire Analog Line Port outgoing only - Bus.			UEPSB	UEPBO	\$2.35	\$24.98	\$24.98				\$3.50		\$44.42	\$14.63										
		Exchange Ports - 2-Wire VG unbundled SC extended local dialing parity Port with Caller ID - Bus.			UEPSB	UEPAZ	\$2.35	\$24.98	\$24.98				\$3.50		\$44.42	\$14.63										
		Exchange Ports - 2-Wire VG unbundled incoming only port with Caller ID - Bus			UEPSB	UEPB1	\$2.35	\$24.98	\$24.98				\$3.50		\$44.42	\$14.63										
		Exchange Ports - 2-Wire VG unbundled South Carolina Bus Area Calling Port with Caller ID - Bus (LMB)			UEPSB	UEPAB	\$2.35	\$24.98	\$24.98				\$3.50		\$44.42	\$14.63										
		Subsequent Activity			UEPSB	USASC	\$0.0	\$0.0	\$0.0				\$3.5	\$19.99												
		FEATURES																								
		All Available Vertical Features			UEPSB	UEPVF	\$6.29	\$0.0	\$0.0				\$3.50		\$44.42	\$14.63										
		EXCHANGE PORT RATES (DID & PBX)																								
		Exchange Ports - 2-Wire DID Port			UEPEX	UEPP2	\$8.86	\$239.14	\$37.56	\$120.05	\$7.54	\$3.50			\$67.52	\$67.52										
		Exchange Ports - DDITS Port - 4-Wire DS1 Port with DID capability			UEPDD	UEPDD	\$73.62	\$404.94	\$191.80	\$145.50	\$4.93	\$19.99														
		Exchange Ports - 2-Wire ISDN Port (See Notes below.)			UEPTX	UEPSX	\$13.38	\$145.86	\$106.21	\$95.79	\$21.52	\$3.50			\$67.52	\$67.52										
		All Features Offered			UEPTX	UEPSX	\$6.29	\$0.0	\$0.0																	
		NOTE: Transmission/usage charges associated with POTS circuit switched usage will also apply to circuit switched voice and/or circuit switched data transmission by B-Channels associated with 2-wire ISDN ports.																								

BELLSOUTH / METROMEDIA FIBER NETWORK SERVICES RATES
Unbundled Network Elements
SOUTH CAROLINA

CATEGORY	NOTES	UNBUNDLED NETWORK ELEMENT	Interim	Zone	BCS	USOC	RATES				OSS RATES										
							Rec	First	Add'l	First	Add'l	SOME C	SOMAN	SOMAN	SOMAN	SOMAN	SOMAN				
																		Nonrecurring		Nonrecurring	
																		Disconnect		Disconnect	
Svc Order Submitted Elec per LSR	Svc Order Submitted Manually per LSR	Incremental Charge - Manual Svc Order vs. Electronic-1st	Incremental Charge - Manual Svc Order vs. Electronic-Add'l	Incremental Charge - Manual Svc Order vs. Electronic-Disc 1st	Incremental Charge - Manual Svc Order vs. Electronic-Disc Add'l																
<p>NOTE: Access to B Channel or D Channel Packet capabilities will be available only through BFR/New Business Request Process. Rates for the packet capabilities will be determined via the Bona Fide Request/New Business Request Process.</p>																					
		Exchange Ports - 2-Wire ISDN Port -- Channel Profiles			UEPTX UEP SX	U1UMA	\$0.0	\$0.0	\$0.0												
		Exchange Ports - 4-Wire ISDN DS1 Port			UEPEX	UEPEX	\$107.44	\$408.53	\$203.56	\$158.70	\$21.52	\$3.50	\$65.48	\$65.48							
		2-Wire VG Unbundled 2-Way PBX Trunk - Res			UEPSE	UEPRD	\$2.35	\$24.36	\$24.36			\$3.50	\$41.86	\$14.46							
		2-Wire VG Line Side Unbundled 2-Way PBX Trunk - Bus			UEPSP	UEPPC	\$2.35	\$24.36	\$24.36			\$3.50	\$41.86	\$14.46							
		2-Wire VG Line Side Unbundled Outward PBX Trunk - Bus			UEPSP	UEPPO	\$2.35	\$24.36	\$24.36			\$3.50	\$41.86	\$14.46							
		2-Wire VG Line Side Unbundled Incoming PBX Trunk - Bus			UEPSP	UEPP1	\$2.35	\$24.36	\$24.36			\$3.50	\$41.86	\$14.46							
		2-Wire Analog Long Distance Terminal PBX Trunk - Bus			UEPSP	UEPLD	\$2.35	\$24.36	\$24.36			\$3.50	\$41.86	\$14.46							
		2-Wire Analog TN 2-Way Calling Plan PBX Trunk - Bus			UEPSP	UEPT2	\$2.35	\$24.36	\$24.36			\$3.50	\$41.86	\$14.46							
		2-Wire TN Outward Calling Plan PBX Trunk - Bus			UEPSP	UEPTO	\$2.35	\$24.36	\$24.36			\$3.50	\$41.86	\$14.46							
		2-Wire Voice Unbundled PBX LD Terminal Ports			UEPSP	UEPLD	\$2.35	\$24.36	\$24.36			\$3.50	\$41.86	\$14.46							
		2-Wire Voice Unbundled 2-Way PBX Usage Port			UEPSP	UEPXA	\$2.35	\$24.36	\$24.36			\$3.50	\$41.86	\$14.46							
		2-Wire Voice Unbundled PBX Toll Terminal Hotel Ports			UEPSP	UEPXB	\$2.35	\$24.36	\$24.36			\$3.50	\$41.86	\$14.46							
		2-Wire Voice Unbundled PBX LD DDD Terminals Port			UEPSP	UEPXC	\$2.35	\$24.36	\$24.36			\$3.50	\$41.86	\$14.46							
		2-Wire Voice Unbundled PBX LD Terminal Switchboard Port			UEPSP	UEPXD	\$2.35	\$24.36	\$24.36			\$3.50	\$41.86	\$14.46							
		2-Wire Voice Unbundled PBX LD Terminal Switchboard IDD Capable Port			UEPSP	UEPXE	\$2.35	\$24.36	\$24.36			\$3.50	\$41.86	\$14.46							
		2-Wire Voice Unbundled 2-Way PBX Hotel/Hospital Economy Administrative Calling Port			UEPSP	UEPXL	\$2.35	\$24.36	\$24.36			\$3.50	\$41.86	\$14.46							
		2-Wire Voice Unbundled 2-Way PBX Hotel/Hospital Economy Room Calling Port			UEPSP	UEPXM	\$2.35	\$24.36	\$24.36			\$3.50	\$41.86	\$14.46							
		2-Wire Voice Unbundled 1-Way Outgoing PBX Hotel/Hospital Discount Room Calling Port			UEPSP	UEPXO	\$2.35	\$24.36	\$24.36			\$3.50	\$41.86	\$14.46							
		2-Wire Voice Unbundled 1-Way Outgoing PBX Measured Port			UEPSP	UEPXS	\$2.35	\$24.36	\$24.36			\$3.50	\$41.86	\$14.46							
		2-Wire Voice Unbundled 2-Way PBX South Carolina Area Plus Calling Port			UEPSP	UEPXT	\$2.35	\$24.36	\$24.36			\$3.50	\$41.86	\$14.46							
		Subsequent Activity			UEPSP	USASC	\$0.0	\$0.0	\$0.0			\$3.5	\$19.99								
	FEATURES																				
		All Available Vertical Features			UEPSP UEPSE	UEPVF	\$6.29	\$0.0	\$0.0			\$3.5	\$41.86	\$14.46							
	EXCHANGE PORT RATES (COIN)																				
		Exchange Ports - Coin Port					\$2.77	\$24.75	\$24.75			\$3.50	\$43.48	\$14.57							
		Local Switching Features offered with Port																			
<p>NOTE: Transmission/usage charges associated with POTS circuit switched usage will also apply to circuit switched voice and/or circuit switched data transmission by B-Channels associated with 2-wire ISDN ports.</p>																					
<p>NOTE: Access to B Channel or D Channel Packet capabilities will be available only through BFR/New Business Request Process. Rates for the packet capabilities will be determined via the Bona Fide Request/New Business Request Process.</p>																					
		Exchange port - 4-wire ISDN trunk port -all available features included			UEPEX		\$251.00	\$311.73	\$311.73			\$3.50	\$65.48	\$65.48							
		Exchange Port - 2-wire ISDN digital line side port with three features included			U1PMA		\$36.01	\$70.32	\$70.32			\$3.50	\$67.52	\$67.52							
		UNBUNDLED LOCAL SWITCHING, PORT USAGE																			
		End Office Switching (Port Usage)																			
		End Office Switching Function, Per MOU					\$0.0019295														
		End Office Trunk Port - Shared, Per MOU					\$0.0002581														
		Tandem Switching (Port Usage) (Local or Access Tandem)																			
		Tandem Switching Function Per MOU					\$0.0006843														
		Tandem Trunk Port - Shared, Per MOU					\$0.0004034														

BELLSOUTH / METROMEDIA FIBER NETWORK SERVICES RATES
Unbundled Network Elements
SOUTH CAROLINA

CATEGORY	NOTES	UNBUNDLED NETWORK ELEMENT	Interim	Zone	BCS	USOC	RATES				OSS RATES										
							Rec	First	Add'l	First	Add'l	Svc Order Submitted Elec per LSR	Svc Order Submitted Manually per LSR	Incremental Charge - Manual Svc Order vs. Electronic-1st	Incremental Charge - Manual Svc Order vs. Electronic-Add'l	Incremental Charge - Manual Svc Order vs. Electronic-Disc 1st	Incremental Charge - Manual Svc Order vs. Electronic-Disc Add'l				
																		Nonrecurring		Nonrecurring	
																		Disconnect			
SOMEc	SOMAN	SOMAN	SOMAN	SOMAN	SOMAN																
	Common Transport																				
		Common Transport - Per Mile, Per MOU					\$0.0000121														
		Common Transport - Facilities Termination Per MOU					\$0.0004672														
	UNBUNDLED PORT/LOOP COMBINATIONS																				
		UNBUNDLED PORT/LOOP COMBINATIONS - COST BASED RATES																			
		Cost Based Rates are applied where BellSouth is required by FCC and/or State Commission rule to provide Unbundled Local Switching or Switch Ports.																			
		Features shall apply to the Unbundled Port/Loop Combination - Cost Based Rate section in the same manner as they are applied to the Stand-Alone Unbundled Port section of this Rate Exhibit.																			
		End Office and Tandem Switching Usage and Common Transport Usage rates in the Port section of this rate exhibit shall apply to all combinations of loop/port network elements except for UNE Coin Port/Loop Combinations.																			
		For Georgia, the recurring UNE Port and Loop charges listed apply to Currently Combined and Not Currently Combined Combos and the first and additional Port nonrecurring charges apply to Not Currently Combined Combos. For Currently Combined Combos in GA and all other states, the nonrecurring charges shall be those identified in the Nonrecurring - Currently Combined sections.																			
		2-WIRE VOICE GRADE LOOP WITH 2-WIRE LINE PORT (RES)																			
		UNE Port/Loop Combination Rates																			
		2-Wire VG Loop/Port Combo - Zone 1		1			\$20.71														
		2-Wire VG Loop/Port Combo - Zone 2		2			\$29.35														
		2-Wire VG Loop/Port Combo - Zone 3		3			\$37.68														
		UNE Loop Rates																			
		2-Wire Voice Grade Loop (SL1) - Zone 1		1	UEPRX	UEPLX	\$17.02														
		2-Wire Voice Grade Loop (SL1) - Zone 2		2	UEPRX	UEPLX	\$25.66														
		2-Wire Voice Grade Loop (SL1) - Zone 3		3	UEPRX	UEPLX	\$33.99														
		2-Wire Voice Grade Line Port Rates (Res)																			
		2-Wire voice unbundled port - residence			UEPRX	UEPRL	\$3.69			\$3.50		\$43.19	\$9.91								
		2-Wire voice unbundled port with Caller ID - res			UEPRX	UEPRC	\$3.69			\$3.50		\$43.19	\$9.91								
		2-Wire voice unbundled port outgoing only - res			UEPRX	UEPRO	\$3.69			\$3.50		\$43.19	\$9.91								
		2-Wire voice Grade unbundled South Carolina extended local dialing party port with Caller ID - res			UEPRX	UEPAU	\$3.69			\$3.50		\$43.19	\$9.91								
		2-Wire voice unbundled South Carolina Area Calling port with Caller ID - res (LW8)			UEPRX	UEPAJ	\$3.69			\$3.50		\$43.19	\$9.91								
		2-Wire voice unbundles res, low usage line port with Caller ID (LUM)			UEPRX	UEPAP	\$3.69			\$3.50		\$43.19	\$9.91								
		FEATURES																			
		All Features Offered			UEPRX	UEPVF	\$6.29	\$0.0	\$0.0	\$3.5		\$43.19	\$9.91								
		LOCAL NUMBER PORTABILITY																			
		Local Number Portability (1 per port)			UEPRX	LNPCX	\$0.35														
		NONRECURRING CHARGES (NRCs) - CURRENTLY COMBINED																			

BELLSOUTH / METROMEDIA FIBER NETWORK SERVICES RATES
Unbundled Network Elements
SOUTH CAROLINA

CATEGORY	NOTES	UNBUNDLED NETWORK ELEMENT	Interim	Zone	BCS	USOC	RATES				OSS RATES									
							Rec	Add'l	First	Add'l	Svc Order Submitted Elec per LSR	Svc Order Submitted Manually per LSR	Incremental Charge - Manual Svc Order vs. Electronic-1st	Incremental Charge - Manual Svc Order vs. Electronic-Add'l	Incremental Charge - Manual Svc Order vs. Electronic-Disc 1st	Incremental Charge - Manual Svc Order vs. Electronic-Disc Add'l				
																	Nonrecurring		Nonrecurring	
																	Disconnect		Disconnect	
SOME C	SOMAN	SOMAN	SOMAN	SOMAN	SOMAN															
		2-Wire Voice Grade Loop / Line Port Combination - Conversion - Switch-as-is			UEPRX	USAC2			\$1.59	\$0.40			\$3.50		\$43.19	\$9.91				
		2-Wire Voice Grade Loop / Line Port Combination - Conversion - Switch with change			UEPRX	USACC			\$1.59	\$0.40			\$3.50		\$43.19	\$9.91				
		2-Wire Voice Grade Loop / Line Port Combination - Conversion - Subsequent Database Update							\$0.71						\$8.91					
		ADDITIONAL NRCs																		
		2-Wire Voice Grade Loop/Line Port Combination - Subsequent Activity			UEPRX	USAS2	\$0.0	\$0.0	\$0.0				\$3.50	\$19.99						
		2-WIRE VOICE GRADE LOOP WITH 2-WIRE LINE PORT (BUS)																		
		UNE Port/Loop Combination Rates																		
		2-Wire VG Loop/Port Combo - Zone 1		1					\$20.71											
		2-Wire VG Loop/Port Combo - Zone 2		2					\$29.35											
		2-Wire VG Loop/Port Combo - Zone 3		3					\$37.68											
		UNE Loop Rates																		
		2-Wire Voice Grade Loop (SL1) - Zone 1		1	UEPBX	UEPLX			\$17.02											
		2-Wire Voice Grade Loop (SL1) - Zone 2		2	UEPBX	UEPLX			\$25.66											
		2-Wire Voice Grade Loop (SL1) - Zone 3		3	UEPBX	UEPLX			\$33.99											
		2-Wire Voice Grade Line Port (Bus)																		
		2-Wire voice unbundled port without Caller ID - bus			UEPBX	UEPBL	\$3.69						\$3.50		\$43.19	\$9.91				
		2-Wire voice unbundled port with Caller + E484 ID - bus			UEPBX	UEPBC	\$3.69						\$3.50		\$43.19	\$9.91				
		2-Wire voice unbundled port outgoing only - bus			UEPBX	UEPBO	\$3.69						\$3.50		\$43.19	\$9.91				
		2-Wire voice Grade unbundled South Carolina extended local dialing parity port with Caller ID - bus			UEPBX	UEPAZ	\$3.69						\$3.50		\$43.19	\$9.91				
		2-Wire voice unbundled incoming only port with Caller ID - Bus			UEPBX	UEPB1	\$3.69						\$3.50		\$43.19	\$9.91				
		2-Wire voice unbundled South Carolina Bus Area Calling Port with Caller ID (LMB)			UEPBX	UEPAB	\$3.69						\$3.50		\$43.19	\$9.91				
		LOCAL NUMBER PORTABILITY																		
		Local Number Portability (1 per port)			UEPBX	LNPCX	\$0.35													
		FEATURES																		
		All Features Offered			UEPBX	UEPVF	\$6.29	\$0.0	\$0.0				\$3.5		\$43.19	\$9.91				
		NONRECURRING CHARGES (NRCs) - CURRENTLY COMBINED																		
		2-Wire Voice Grade Loop / Line Port Combination - Conversion - Switch-as-is			UEPBX	USAC2			\$1.59	\$0.40			\$3.50		\$43.19	\$9.91				
		2-Wire Voice Grade Loop / Line Port Combination - Conversion - Switch with change			UEPBX	USACC			\$1.59	\$0.40			\$3.50		\$43.19	\$9.91				
		2-Wire Voice Grade Loop / Line Port Combination - Conversion - Subsequent Database Update							\$71.000						\$8.91					
		ADDITIONAL NRCs																		
		2-Wire Voice Grade Loop/Line Port Combination - Subsequent Activity			UEPBX	USAS2							\$3.50		\$43.19	\$9.91				
		2-WIRE VOICE GRADE LOOP WITH 2-WIRE LINE PORT (RES - PBX)																		
		UNE Port/Loop Combination Rates																		
		2-Wire VG Loop/Port Combo - Zone 1		1					\$20.71											
		2-Wire VG Loop/Port Combo - Zone 2		2					\$29.35											
		2-Wire VG Loop/Port Combo - Zone 3		3					\$37.68											
		UNE Loop Rates																		
		2-Wire Voice Grade Loop (SL 1) - Zone 1		1	UEPRG	UEPLX			\$17.02											
		2-Wire Voice Grade Loop (SL 1) - Zone 2		2	UEPRG	UEPLX			\$25.66											
		2-Wire Voice Grade Loop (SL 1) - Zone 3		3	UEPRG	UEPLX			\$33.99											

BELLSOUTH / METROMEDIA FIBER NETWORK SERVICES RATES
Unbundled Network Elements
SOUTH CAROLINA

CATEGORY	NOTES	UNBUNDLED NETWORK ELEMENT	Interim	Zone	BCS	USOC	RATES				OSS RATES											
							Rec	First	Add'l	First	Add'l	SOME C	SOMAN	SOMAN	SOMAN	SOMAN	SOMAN	SOMAN				
																			Nonrecurring		Nonrecurring	
																			Disconnect		Disconnect	
Svc Order Submitted Elec per LSR	Svc Order Submitted Manually per LSR	Incremental Charge - Manual Svc Order vs. Electronic-1st	Incremental Charge - Manual Svc Order vs. Electronic-Add'l	Incremental Charge - Manual Svc Order vs. Electronic-Disc 1st	Incremental Charge - Manual Svc Order vs. Electronic-Disc Add'l																	
		2-Wire Voice Grade Line Port Rates (RES - PBX)																				
		2-Wire VG Unbundled Combination 2-Way PBX Trunk Port - Res			UEPRG	UEPRD	\$3.69							\$3.50		\$43.19	\$9.91					
		LOCAL NUMBER PORTABILITY																				
		Local Number Portability (1 per port)			UEPRG	LNPCP	\$3.5															
		FEATURES																				
		All Features Offered			UEPRG	UEPVF	\$6.29	\$0.0	\$0.0					\$3.5		\$43.19	\$9.91					
		NONRECURRING CHARGES (NRCs) - CURRENTLY COMBINED																				
		2-Wire Voice Grade Loop/ Line Port Combination (PBX) - Conversion - Switch-As-Is			UEPRG	USAC2		\$1.59	\$0.40					\$3.50		\$43.19	\$9.91					
		2-Wire Voice Grade Loop/ Line Port Combination (PBX) - Conversion - Switch with Change			UEPRG	USACC		\$1.59	\$0.40					\$3.50		\$43.19	\$9.91					
		2-Wire Voice Grade Loop / Line Port Combination - Conversion - Subsequent Database Update						\$0.71								\$8.91						
		ADDITIONAL NRCs																				
		2-Wire Voice Grade Loop/ Line Port Combination (PBX) - Subsequent Activity			UEPRG	USAS2	\$0.0	\$0.0	\$0.0					\$3.50	\$19.99							
		PBX Subsequent Activity - Change/Rearrange Multiline Hunt Group						\$14.64	\$14.64					\$3.5	\$19.99							
		2-WIRE VOICE GRADE LOOP WITH 2-WIRE LINE PORT (BUS - PBX)																				
		UNE Port/Loop Combination Rates																				
		2-Wire VG Loop/Port Combo - Zone 1		1			\$20.71															
		2-Wire VG Loop/Port Combo - Zone 2		2			\$29.35															
		2-Wire VG Loop/Port Combo - Zone 3		3			\$37.68															
		UNE Loop Rates																				
		2-Wire Voice Grade Loop (SL 1) - Zone 1		1	UEPPX	UEPLX	\$17.02															
		2-Wire Voice Grade Loop (SL 1) - Zone 2		2	UEPPX	UEPLX	\$25.66															
		2-Wire Voice Grade Loop (SL 1) - Zone 3		3	UEPPX	UEPLX	\$33.99															
		2-Wire Voice Grade Line Port Rates (BUS - PBX)																				
		Line Side Unbundled Combination 2-Way PBX Trunk Port - Bus			UEPPX	UEPPC	\$3.69							\$3.50		\$43.19	\$9.91					
		Line Side Unbundled Outward PBX Trunk Port - Bus			UEPPX	UEPPO	\$3.69							\$3.50		\$43.19	\$9.91					
		Line Side Unbundled Incoming PBX Trunk Port - Bus			UEPPX	UEPP1	\$3.69							\$3.50		\$43.19	\$9.91					
		2-Wire Voice Unbundled PBX LD Terminal Ports			UEPPX	UEPLD	\$3.69							\$3.50		\$43.19	\$9.91					
		2-Wire Voice Unbundled 2-Way Combination PBX Usage Port			UEPPX	UEPXA	\$3.69							\$3.50		\$43.19	\$9.91					
		2-Wire Voice Unbundled PBX Toll Terminal Hotel Ports			UEPPX	UEPXB	\$3.69							\$3.50		\$43.19	\$9.91					
		2-Wire Voice Unbundled PBX LD DDD Terminals Port			UEPPX	UEPXC	\$3.69							\$3.50		\$43.19	\$9.91					
		2-Wire Voice Unbundled PBX LD Terminal Switchboard Port			UEPPX	UEPXD	\$3.69							\$3.50		\$43.19	\$9.91					
		2-Wire Voice Unbundled PBX LD Terminal Switchboard IDD Capable Port			UEPPX	UEPXE	\$3.69							\$3.50		\$43.19	\$9.91					
		2-Wire Voice Unbundled 2-Way PBX Hotel/Hospital Economy Administrative Calling Port			UEPPX	UEPXL	\$3.69							\$3.50		\$43.19	\$9.91					
		2-Wire Voice Unbundled 2-Way PBX Hotel/Hospital Economy Room Calling Port			UEPPX	UEPXM	\$3.69							\$3.50		\$43.19	\$9.91					
		2-Wire Voice Unbundled 1-Way Outgoing PBX Hotel/Hospital Discount Room Calling Port			UEPPX	UEPXO	\$3.69							\$3.50		\$43.19	\$9.91					
		2-Wire Voice Unbundled 1-Way Outgoing PBX Measured Port			UEPPX	UEPXS	\$3.69							\$3.50		\$43.19	\$9.91					
		2-Wire Voice Unbundled 2-Way PBX South Carolina Area Plus Calling Port			UEPPX	UEPXT	\$3.69							\$3.50		\$43.19	\$9.91					
		LOCAL NUMBER PORTABILITY																				
		Local Number Portability (1 per port)			UEPPX	LNPCP	\$3.15															
		FEATURES																				
		All Features Offered			UEPPX	UEPVF	\$6.29	\$0.0	\$0.0					\$3.5		\$43.19	\$9.91					

BELLSOUTH / METROMEDIA FIBER NETWORK SERVICES RATES
Unbundled Network Elements
SOUTH CAROLINA

CATEGORY	NOTES	UNBUNDLED NETWORK ELEMENT	Interim	Zone	BCS	USOC	RATES				OSS RATES										
							Rec	First	Add'l	First	Add'l	Svc Order Submitted Elec per LSR	Svc Order Submitted Manually per LSR	Incremental Charge - Manual Svc Order vs. Electronic-1st	Incremental Charge - Manual Svc Order vs. Electronic-Add'l	Incremental Charge - Manual Svc Order vs. Electronic-Disc 1st	Incremental Charge - Manual Svc Order vs. Electronic-Disc Add'l				
																		Nonrecurring		Nonrecurring	
																		Disconnect		Disconnect	
SOME	SOMAN	SOMAN	SOMAN	SOMAN	SOMAN																
		NONRECURRING CHARGES (NRCs) - CURRENTLY COMBINED																			
		2-Wire Voice Grade Loop/ Line Port Combination (PBX) - Conversion - Switch-As-Is			UEPPX	USAC2		\$1.59	\$0.40			\$3.50	\$43.19	\$9.91							
		2-Wire Voice Grade Loop/ Line Port Combination (PBX) - Conversion - Switch with Change			UEPPX	USACC		\$1.59	\$0.40			\$3.50	\$43.19	\$9.91							
		2-Wire Voice Grade Loop / Line Port Combination - Conversion - Subsequent Database Update						\$0.71					\$8.91								
		ADDITIONAL NRCs																			
		2-Wire Voice Grade Loop/ Line Port Combination (PBX) - Subsequent Activity			UEPPX	USAS2	\$0.0	\$0.0	\$0.0			\$3.50	\$19.99								
		PBX Subsequent Activity - Change/Rearrange Multiline Hunt Group						\$14.64	\$14.64			\$3.5	\$19.99								
		2-WIRE VOICE GRADE LOOP WITH 2-WIRE ANALOG LINE COIN PORT																			
		UNE Port/Loop Combination Rates																			
		2-Wire VG Coin Port/Loop Combo - Zone 1						\$21.06													
		2-Wire VG Coin Port/Loop Combo - Zone 2						\$29.7													
		2-Wire VG Coin Port/Loop Combo - Zone 3						\$28.03													
		UNE Loop Rates																			
		2-Wire Voice Grade Loop (SL1) - Zone 1			UEPCO	UEPLX		\$17.02													
		2-Wire Voice Grade Loop (SL1) - Zone 2			UEPCO	UEPLX		\$25.66													
		2-Wire Voice Grade Loop (SL1) - Zone 3			UEPCO	UEPLX		\$33.99													
		2-Wire Voice Grade Line Ports (COIN)																			
		2-Wire Coin 2-Way without Operator Screening and without Blocking (SC)			UEPCO	UEPSD	\$4.04					\$3.5	\$43.19	\$9.91							
		2-Wire Coin 2-Way with Operator Screening and Blocking: 011, 900/976, 1+DDD (SC)			UEPCO	UEPSA	\$4.04					\$3.5	\$43.19	\$9.91							
		2-Wire Coin 2-Way with Operator Screening and 011 Blocking (SC)			UEPCO	UEPSH	\$4.04					\$3.5	\$43.19	\$9.91							
		2-Wire Coin 2-Way with Operator Screening and 011 Blocking; with Dialing Parity (SC)			UEPCO	UEPSC	\$4.04					\$3.5	\$43.19	\$9.91							
		2-Wire Coin 2-Way with Operator Screening and: 900 Blocking: 900/976, 1+DDD, 011+, and Local (SC)			UEPCO	UEPCC	\$4.04					\$3.5	\$43.19	\$9.91							
		2-Wire Coin 2-W Operator Screen: 900 Block: 900/976, 1+DDD, 011+, Local: Enhanced Call OPT 3YV (SC)			UEPCO	UEPCE	\$4.04					\$3.5	\$43.19	\$9.91							
		2-Wire Coin 2-W Operator Screen: 900 Block: 900/976, 1+DDD, 011+, Local: Enhanced Call OPT AP7 (SC)			UEPCO	UEPCF	\$4.04					\$3.5	\$43.19	\$9.91							
		2-Wire Coin Outward without Blocking and without Operator Screening (SC)			UEPCO	UEPSG	\$4.04					\$3.5	\$43.19	\$9.91							
		2-Wire Coin Outward with Operator Screening and 011 Blocking (SC)			UEPCO	UEPSF	\$4.04					\$3.5	\$43.19	\$9.91							
		2-Wire Coin Outward with Operator Screening and Blocking: 011, 900/976, 1+DDD (SC)			UEPCO	UEPSJ	\$4.04					\$3.5	\$43.19	\$9.91							
		2-Wire Coin Outward with Operator Screening and Blocking: 900/976, 1+DDD, 011+, and Local (SC)			UEPCO	UEPCM	\$4.04					\$3.5	\$43.19	\$9.91							
		2-Wire Coin Out Operator Screen & Block: 900/976, 1+DDD, 011+, Local: Enhanced Calling OPT 3YW (SC)			UEPCO	UEPCP	\$4.04					\$3.5	\$43.19	\$9.91							
		2-Wire 2-Way Smartline with 900/976 (all states except LA)			UEPCO	UEPCK	\$4.04					\$3.5	\$43.19	\$9.91							
		2-Wire Coin Outward Smartline with 900/976 (all states except LA)			UEPCO	UEPCR	\$4.04					\$3.5	\$43.19	\$9.91							
		ADDITIONAL UNE COIN PORT/LOOP (RC)																			
		UNE Coin Port/Loop Combo Usage (Flat Rate)			UEPCO	URECU	\$4.05	\$0.0	\$0.0												
		LOCAL NUMBER PORTABILITY																			
		Local Number Portability (1 per port)			UEPCO	LNPCX	\$0.35														

BELLSOUTH / METROMEDIA FIBER NETWORK SERVICES RATES
Unbundled Network Elements
SOUTH CAROLINA

CATEGORY	NOTES	UNBUNDLED NETWORK ELEMENT	Interim	Zone	BCS	USOC	RATES				OSS RATES											
							Rec	First	Add'l	First	Add'l	SOME C	SOMAN	SOMAN	SOMAN	SOMAN	SOMAN	SOMAN				
																			Nonrecurring		Nonrecurring	
																			Disconnect		Disconnect	
NONRECURRING CHARGES - CURRENTLY COMBINED																						
		2-Wire Voice Grade Loop / Line Port Combination - Conversion - Switch-as-is			UEPCO	USAC2		\$1.59	\$0.40				\$3.5		\$43.19	\$9.91						
		2-Wire Voice Grade Loop / Line Port Combination - Conversion - Switch with change			UEPCO	USACC		\$1.59	\$0.40				\$3.5		\$43.19	\$9.91						
ADDITIONAL NRCs																						
		2-Wire Voice Grade Loop/Line Port Combination - Subsequent Activity			UEPCO	USAS2		\$0.0	\$0.0				\$3.5		\$43.19	\$9.91						
2-WIRE VOICE GRADE LOOP- BUS ONLY - WITH 2-WIRE DID TRUNK PORT																						
UNE Port/Loop Combination Rates																						
		2-Wire VG Loop/2-Wire DID Trunk Port Combo - UNE Zone 1		1				\$29.68														
		2-Wire VG Loop/2-Wire DID Trunk Port Combo - UNE Zone 2		2				\$37.74														
		2-Wire VG Loop/2-Wire DID Trunk Port Combo - UNE Zone 3		3				\$44.40														
UNE Loop Rates																						
		2-Wire Analog Voice Grade Loop - (SL2) - UNE Zone 1		1	UEPPX	UECD1	\$20.85	\$211.95	\$128.80	\$106.09	\$21.21			\$19.99								
		2-Wire Analog Voice Grade Loop - (SL2) - UNE Zone 2		2	UEPPX	UECD1	\$28.91	\$21.95	\$136.85	\$106.09	\$21.21			\$19.99								
		2-Wire Analog Voice Grade Loop - (SL2) - UNE Zone 3		3	UEPPX	UECD1	\$35.57	\$211.95	\$136.85	\$106.09	\$21.21			\$19.99								
UNE Port Rate																						
		Exchange Ports - 2-Wire DID Port			UEPPX	UEPD1	\$8.83	\$239.14	\$37.56	\$120.05	\$7.54			\$19.99								
NONRECURRING CHARGES - CURRENTLY COMBINED																						
		2-Wire Voice Grade Loop / 2-Wire DID Trunk Port Combination - Switch-as-is			UEPPX	USAC1		\$14.62	\$3.73				\$19.99									
		2-Wire Voice Grade Loop / 2-Wire DID Trunk Port Conversion with BellSouth Allowable Changes			UEPPX	USA1C		\$14.62	\$3.73				\$19.99									
ADDITIONAL NRCs																						
		2-Wire DID Subsequent Activity - Add Trunks, Per Trunk			UEPPX	USAS1		\$53.68					\$19.99									
Telephone Number/Trunk Group Establishment Charges																						
		DID Trunk Termination (One Per Port)			UEPPX	NDT	\$0.0	\$0.00	\$0.00				\$19.99									
		DID Numbers, Establish Trunk Group and Provide First Group of 20 DID Numbers			UEPPX	NDZ		\$0.00	\$0.00				\$19.99									
		Additional DID Numbers for each Group of 20 DID Numbers			UEPPX	ND4	\$0.0	\$0.00	\$0.00				\$19.99									
		DID Numbers, Non- consecutive DID Numbers , Per Number			UEPPX	ND5		\$0.00	\$0.00				\$19.99									
		Reserve Non-Consecutive DID numbers			UEPPX	ND6	\$0.00	\$0.00	\$0.00				\$19.99									
		Reserve DID Numbers			UEPPX	NDV	\$0.00	\$0.00	\$0.00				\$19.99									
LOCAL NUMBER PORTABILITY																						
		Local Number Portability (1 per port)			UEPPX	LNPCP	\$3.15															
2-WIRE ISDN DIGITAL GRADE LOOP WITH 2-WIRE ISDN DIGITAL LINE SIDE PORT																						
UNE Port/Loop Combination Rates																						
		2W ISDN Digital Grade Loop/2W ISDN Digital Line Side Port - UNE Zone 1		1	UEPPB	UEPPR		\$38.58														
		2W ISDN Digital Grade Loop/2W ISDN Digital Line Side Port - UNE Zone 2		2	UEPPB	UEPPR		\$48.25														
		2W ISDN Digital Grade Loop/2W ISDN Digital Line Side Port - UNE Zone 3		3	UEPPB	UEPPR		\$55.29														
UNE Loop Rates																						
		2-Wire ISDN Digital Grade Loop - UNE Zone 1		1	UEPPB	UEPPR	USL2X	\$27.38	\$235.15	\$160.04	\$106.09	\$21.21		\$19.99								
		2-Wire ISDN Digital Grade Loop - UNE Zone 2		2	UEPPB	UEPPR	USL2X	\$37.05	\$235.15	\$160.14	\$106.09	\$21.21		\$19.99								
		2-Wire ISDN Digital Grade Loop - UNE Zone 3		3	UEPPB	UEPPR	USL2X	\$44.09	\$235.15	\$160.04	\$106.09	\$21.21		\$19.99								
UNE Port Rate																						

BELLSOUTH / METROMEDIA FIBER NETWORK SERVICES RATES
Unbundled Network Elements
SOUTH CAROLINA

CATEGORY	NOTES	UNBUNDLED NETWORK ELEMENT	Interim	Zone	BCS	USOC	RATES					OSS RATES							
							Rec	First	Add'l	First	Add'l	Disconnect	Svc Order Submitted Elec per LSR	Svc Order Submitted Manually per LSR	Incremental Charge - Manual Svc Order vs. Electronic-1st	Incremental Charge - Manual Svc Order vs. Electronic-Add'l	Incremental Charge - Manual Svc Order vs. Electronic-Disc 1st	Incremental Charge - Manual Svc Order vs. Electronic-Disc Add'l	
							Nonrecurring			Nonrecurring									
		Exchange Port - 2-Wire ISDN Line Side Port			UEPPB UEPPR	UEPPB	\$11.20	\$145.86	\$106.21	\$95.79	\$21.52								
		NONRECURRING CHARGES - CURRENTLY COMBINED																	
		2-Wire ISDN Digital Grade Loop / 2-Wire ISDN Line Side Port Combination - Conversion			UEPPB UEPPR	USACB	\$0.0	\$77.18	\$54.15				\$19.99						
		ADDITIONAL NRCs																	
		LOCAL NUMBER PORTABILITY																	
		Local Number Portability (1 per port)			UEPPB UEPPR	LNPCX	\$0.35	\$0.00	\$0.00										
		B-CHANNEL USER PROFILE ACCESS:																	
		CVS/CSD (DMS/5ESS)			UEPPB UEPPR	U1UCA	\$0.00	\$0.00	\$0.00										
		CVS (EWSD)			UEPPB UEPPR	U1UCB	\$0.00	\$0.00	\$0.00										
		CSD			UEPPB UEPPR	U1UCC	\$0.00	\$0.00	\$0.00										
		B-CHANNEL AREA PLUS USER PROFILE ACCESS: (AL,KY,LA,MS SC,MS, & TN)																	
		CVS/CSD (DMS/5ESS)			UEPPB UEPPR	U1UCD	\$0.00	\$0.00	\$0.00										
		CVS (EWSD)			UEPPB UEPPR	U1UCE	\$0.00	\$0.00	\$0.00										
		CSD			UEPPB UEPPR	U1UCF	\$0.00	\$0.00	\$0.00										
		USER TERMINAL PROFILE																	
		User Terminal Profile (EWSD only)			UEPPB UEPPR	U1UMA	\$0.00	\$0.00	\$0.00										
		VERTICAL FEATURES																	
		All Vertical Features - One per Channel B User Profile			UEPPB UEPPR	UEPVF	\$6.29	\$0.00	\$0.00										
		INTEROFFICE CHANNEL MILEAGE																	
		Interoffice Channel mileage each, including first mile and facilities termination			UEPPB UEPPR	M1GNC	\$20.74	\$136.44	\$51.37				\$0.0						
		Interoffice Channel mileage each, additional mile			UEPPB UEPPR	M1GNM	\$0.0373	\$0.0	\$0.0			\$0.0	\$0.0						
		4-WIRE DS1 DIGITAL LOOP WITH 4-WIRE ISDN DS1 DIGITAL TRUNK PORT																	
		UNE Port/Loop Combination Rates																	
		4W DS1 Digital Loop/4W ISDN DS1 Digital Trunk Port - UNE Zone 1		1	UEPPP		\$221.03												
		4W DS1 Digital Loop/4W ISDN DS1 Digital Trunk Port - UNE Zone 2		2	UEPPP		\$301.73												
		4W DS1 Digital Loop/4W ISDN DS1 Digital Trunk Port - UNE Zone 3		3	UEPPP		\$434.80												
		UNE Loop Rates																	
		4-Wire DS1 Digital Loop - UNE Zone 1		1	UEPPP	USL4P	\$113.59	\$505.05	\$315.77	\$89.60	\$23.46		\$19.99						
		4-Wire DS1 Digital Loop - UNE Zone 2		2	UEPPP	USL4P	\$194.29	\$505.05	\$315.77	\$89.60	\$23.46		\$19.99						
		4-Wire DS1 Digital Loop - UNE Zone 3		3	UEPPP	USL4P	\$327.36	\$505.05	\$315.77	\$89.60	\$23.46		\$19.99						
		UNE Port Rate																	
		Exchange Ports - 4-Wire ISDN DS1 Port			UEPPP	UEPPP	\$107.44	\$295.52	\$295.52				\$19.99						
		NONRECURRING CHARGES - CURRENTLY COMBINED																	
		4-Wire DS1 Digital Loop / 4-Wire ISDN DS1 Digital Trunk Port Combination - Conversion - Switch-as-is			UEPPP	USACP	\$0.00	\$238.67	\$157.46				\$19.99						
		ADDITIONAL NRCs																	
		4-Wire DS1 Loop/4-W ISDN Digtl Trk Port - Subsq Actvy-Inward/two way tel nos within Std Allowance			UEPPP	PR7TF		\$0.9822					\$19.99						
		4-Wire DS1 Loop / 4-Wire ISDN DS1 Digital Trunk Port - Outward Tel Numbers (All States except NC)			UEPPP	PR7TO		\$23.02	\$23.02				\$19.99						
		4-Wire DS1 Loop / 4-Wire ISDN DS1 Digital Trk Port - Subsequent Inward Tel Nos Above Std Allowance			UEPPP	PR7ZT		\$46.05	\$46.05				\$19.99						

BELLSOUTH / METROMEDIA FIBER NETWORK SERVICES RATES
Unbundled Network Elements
SOUTH CAROLINA

CATEGORY	NOTES	UNBUNDLED NETWORK ELEMENT	Interim	Zone	BCS	USOC	RATES				OSS RATES										
							Rec	First	Add'l	First	Add'l	SOME C	SOMAN	SOMAN	SOMAN	SOMAN	SOMAN				
																		Nonrecurring		Nonrecurring	
																		Disconnect		Disconnect	
Svc Order Submitted Elec per LSR	Svc Order Submitted Manually per LSR	Incremental Charge - Manual Svc Order vs. Electronic-1st	Incremental Charge - Manual Svc Order vs. Electronic-Add'l	Incremental Charge - Manual Svc Order vs. Electronic-Disc 1st	Incremental Charge - Manual Svc Order vs. Electronic-Disc Add'l																
LOCAL NUMBER PORTABILITY																					
		Local Number Portability (1 per port)			UEPPP	LNPCN	\$1.75														
		Voice/Data			UEPPP	PR71V	\$0.00	\$0.00	\$0.00												
		Digital Data			UEPPP	PR71D	\$0.00	\$0.00	\$0.00												
		Inward Data			UEPPP	PR71E	\$0.00	\$0.00	\$0.00												
New or Additional "B" Channel																					
		New or Additional - Voice/Data B Channel			UEPPP	PR7BV	\$0.00	\$29.11						\$19.99							
		New or Additional - Digital Data B Channel			UEPPP	PR7BF	\$0.00	\$29.11						\$19.99							
		New or Additional Inward Data B Channel			UEPPP	PR7BD	\$0.00	\$29.11						\$19.99							
		New or Additional Usage Sensitive Voice Data B Channel			UEPPP	PR7BS	\$0.00	\$29.11						\$19.19							
		New or Additional Usage Sensitive Digital Data B Channel			UEPPP	PR7BU	\$0.00	\$29.11						\$19.99							
CALL TYPES																					
		Inward			UEPPP	PR7C1	\$0.0	\$0.0	\$0.0												
		Outward			UEPPP	PR7C0	\$0.00	\$0.00	\$0.00												
		Two-way			UEPPP	PR7CC	\$0.00	\$0.00	\$0.00												
Interoffice Channel Mileage																					
		Fixed Each Including First Mile			UEPPP	1LN1A	\$95.7398	\$216.27	\$162.70	\$0.00				\$19.99							
		Each Airline-Fractional Additional Mile			UEPPP	1LN1B	\$0.7598														
4-WIRE DS1 DIGITAL LOOP WITH 4-WIRE DDITS TRUNK PORT																					
UNE Port/Loop Combination Rates																					
		4W DS1 Digital Loop/4W DDITS Trunk Port - UNE Zone 1		1	UEPDC		\$187.21														
		4W DS1 Digital Loop/4W DDITS Trunk Port - UNE Zone 2		2	UEPDC		\$267.91							\$19.99							
		4W DS1 Digital Loop/4W DDITS Trunk Port - UNE Zone 3		3	UEPDC		\$400.98							\$19.99							
UNE Loop Rates																					
		4-Wire DS1 Digital Loop - UNE Zone 1		1	UEPDC	USLDC	\$113.59	\$505.05	\$315.77	\$89.60	\$23.46			\$19.99							
		4-Wire DS1 Digital Loop - UNE Zone 2		2	UEPDC	USLDC	\$194.29	\$505.05	\$315.77	\$89.60	\$23.46			\$19.99							
		4-Wire DS1 Digital Loop - UNE Zone 3		3	UEPDC	USLDC	\$327.36	\$505.05	\$315.77	\$89.60	\$23.46			\$19.99							
UNE Port Rate																					
		4-Wire DDITS Digital Trunk Port			UEPDC	UDD1T	\$73.62	\$404.94	\$191.80	\$145.50	\$4.93			\$19.99							
NONRECURRING CHARGES - CURRENTLY COMBINED																					
		4-Wire DS1 Digital Loop / 4-Wire DDITS Trunk Port Combination - Switch-as-is			UEPDC	USAC4		\$259.56	\$134.33					\$19.99							
		4-Wire DS1 Digital Loop / 4-Wire DDITS Trunk Port Combination - Conversion with DS1 Changes			UEPDC	USAWA		\$259.56	\$134.33					\$19.99							
		4-Wire DS1 Digital Loop / 4-Wire DDITS Trunk Port Combination - Conversion with Change - Trunk			UEPDC	USAWB		\$259.56	\$134.33					\$19.99							
ADDITIONAL NRCs																					
		4-Wire DS1 Loop / 4-Wire DDITS Trunk Port - Subsequent Channel Activation/Chan - 1-Way Outward Trunk			UEPDC	UDTTB		\$29.01	\$29.01					\$19.99							
		4-Wire DS1 Loop / 4-Wire DDITS Trunk Port - Subsqnt Channel Activation/Chan - Inward Trunk w/out DID			UEPDC	UDTTC		\$29.01	\$29.01					\$19.99							
		4-Wire DS1 Loop / 4-Wire DDITS Trunk Port - Subsqnt Chan Activation Per Chan - Inward Trunk with DID			UEPDC	UDTTD		\$29.01	\$29.01												
		4-Wire DS1 Loop / 4-Wire DDITS Trunk Port - Subsqnt Chan Activation / Chan - 2-Way DID w User Trans			UEPDC	UDTTE		\$29.01	\$29.01					\$19.99							
BIPOLAR 8 ZERO SUBSTITUTION																					
		B8ZS - Superframe Format			UEPDC	CCOSF		\$0.0	\$605.00					\$19.99							
		B8ZS - Extended Superframe Format			UEPDC	CCOEF		\$0.0	\$605.00					\$19.99							
Alternate Mark Inversion																					

BELLSOUTH / METROMEDIA FIBER NETWORK SERVICES RATES
Unbundled Network Elements
SOUTH CAROLINA

CATEGORY	NOTES	UNBUNDLED NETWORK ELEMENT	Interim	Zone	BCS	USOC	RATES				OSS RATES											
							Rec	First	Add'l	Disconnect	SOME	SOMAN	SOMAN	SOMAN	SOMAN	SOMAN	Incremental Charge - Manual Svc Order vs. Electronic-Disc 1st	Incremental Charge - Manual Svc Order vs. Electronic-Disc Add'l				
																			Nonrecurring	Nonrecurring	Nonrecurring	Nonrecurring
																			First	Add'l	First	Add'l
		AMI - Superframe Format			UEPDC	MCOSF		\$0.00	\$0.00													
		AMI - Extended SuperFrame Format			UEPDC	MCOPO		\$0.00	\$0.00													
		Telephone Number/Trunk Group Establishment Charges																				
		Telephone Number for 2-Way Trunk Group			UEPDC	UDTGX	\$0.00															
		Telephone Number for 1-Way Outward Trunk Group			UEPDC	UDTGY	\$0.00													\$19.99		
		Telephone Number for 1-Way Inward Trunk Group Without DID			UEPDC	UDTGZ	\$0.00													\$19.99		
		DID Numbers, Establish Trunk Group and Provide First Group of 20 DID Numbers			UEPDC	NDZ	\$0.00	\$0.00	\$0.00											\$19.99		
		DID Numbers for each Group of 20 DID Numbers			UEPDC	ND4	\$0.00													\$19.99		
		DID Numbers, Non- consecutive DID Numbers , Per Number			UEPDC	ND5	\$0.00													\$19.99		
		Reserve Non-Consecutive DID Nos.			UEPDC	ND6	\$0.00	\$0.00	\$0.00											\$19.99		
		Reserve DID Numbers			UEPDC	NDV	\$0.00	\$0.00	\$0.00											\$19.99		
		Dedicated DS1 (Interoffice Channel Mileage) - FX/FCO for 4-Wire DS1 Digital Loop with 4-Wire DDITS Trunk Port																				
		Interoffice Channel Mileage - Fixed rate 0-8 miles (Facilities Termination)			UEPDC	1LNO1	\$94.98	\$216.27	\$162.70	\$0.00	\$0.00									\$19.99		
		Interoffice Channel Mileage - Additional rate per mile - 0-8 miles			UEPDC	1LNOA	\$0.7598	\$0.00	\$0.00											\$19.99		
		Interoffice Channel Mileage - Fixed rate 9-25 miles (Facilities Termination)			UEPDC	1LNO2	\$0.0000	\$0.0	\$0.0													
		Interoffice Channel Mileage - Additional rate per mile - 9-25 miles			UEPDC	1LNOB	\$0.7598	\$0.00	\$0.00													
		Interoffice Channel Mileage - Fixed rate 25+ miles (Facilities Termination)			UEPDC	1LNO3	\$0.00	\$0.00	\$0.00	\$0.00												
		Interoffice Channel Mileage - Additional rate per mile - 25+ miles			UEPDC	1LNOC	\$0.7598	\$0.00	\$0.00													
		Local Number Portability, per DSO Activated			UEPDC	LNPCP	\$3.15	\$0.00	\$0.00	\$0.00												
		Central Office Terminating Point			UEPDC	CTG	\$0.00															
		4-WIRE DS1 LOOP WITH CHANNELIZATION WITH PORT																				
		System is 1 DS1 Loop, 1 D4 Channel Bank, and up to 24 Feature Activations																				
		Each System can have up to 24 combinations of rates depending on type and number of ports used																				
		UNE DS1 Loop																				
		4-Wire DS1 Loop - UNE Zone 1			UEPMG	USLDC	\$113.59	\$0.00	\$0.00											\$19.99		
		4-Wire DS1 Loop - UNE Zone 2			UEPMG	USLDC	\$194.29	\$0.00	\$0.00												\$19.99	
		4-Wire DS1 Loop - UNE Zone 3			UEPMG	USLDC	\$327.36	\$0.00	\$0.00												\$19.99	
		UNE DSO Channelization Capacities (D4 Channel Bank Configurations)																				
		24 DSO Channel Capacity - 1 per DS1			UEPMG	VUM24	\$103.47	\$0.00	\$0.00											\$19.99		
		48 DSO Channel Capacity - 1 per 2 DS1s			UEPMG	VUM48	\$206.94	\$0.00	\$0.00												\$19.99	
		96 DSO Channel Capacity -1per 4 DS1s			UEPMG	VUM96	\$413.88	\$0.00	\$0.00												\$19.99	
		144 DSO Channel Capacity - 1 per 6 DS1s			UEPMG	VUM14	\$620.82	\$0.00	\$0.00												\$19.99	
		192 DSO Channel Capacity -1 per 8 DS1s			UEPMG	VUM19	\$827.76	\$0.00	\$0.00												\$19.99	
		240 DSO Channel Capacity - 1 per 10 DS1s			UEPMG	VUM20	\$1,034.70	\$0.00	\$0.00												\$19.99	
		288 DSO Channel Capacity - 1 per 12 DS1s			UEPMG	VUM28	\$1,241.64	\$0.00	\$0.00												\$19.99	
		384 DSO Channel Capacity - 1 per 16 DS1s			UEPMG	VUM38	\$1,655.52	\$0.00	\$0.00												\$19.99	
		480 DSO Channel Capacity - 1 per 20 DS1s			UEPMG	VUM40	\$2,069.40	\$0.00	\$0.00												\$19.99	
		576 DSO Channel Capacity -1 per 24 DS1s			UEPMG	VUM57	\$2,483.28	\$0.00	\$0.00												\$19.99	
		672 DSO Channel Capacity - 1 per 28 DS1s			UEPMG	VUM67	\$2,897.16	\$0.00	\$0.00												\$19.99	
		Non-Recurring Charges (NRC) Associated with 4-Wire DS1 Loop with Channelization with Port - Conversion Charge Based on a System																				

BELLSOUTH / METROMEDIA FIBER NETWORK SERVICES RATES
Unbundled Network Elements
SOUTH CAROLINA

CATEGORY	NOTES	UNBUNDLED NETWORK ELEMENT	Interim	Zone	BCS	USOC	RATES				OSS RATES										
							Rec	First	Add'l	First	Add'l	Svc Order Submitted Elec per LSR	Svc Order Submitted Manually per LSR	Incremental Charge - Manual Svc Order vs. Electronic-1st	Incremental Charge - Manual Svc Order vs. Electronic-Add'l	Incremental Charge - Manual Svc Order vs. Electronic-Disc 1st	Incremental Charge - Manual Svc Order vs. Electronic-Disc Add'l				
																		Nonrecurring		Nonrecurring	
																		Disconnect		Disconnect	
SOME	SOMAN	SOMAN	SOMAN	SOMAN	SOMAN																
		A Minimum System configuration is One (1) DS1, One (1) D4 Channel Bank, and Up To 24 DSO Ports with Feature Activations.																			
		Multiples of this configuration functioning as one are considered Add'l after the minimum system configuration is counted.																			
		NRC - Conversion (Currently Combined) with or without BellSouth Allowed Changes			UEPMG	USAC4	\$0.00	\$301.62	\$16.76			\$19.99									
		System Additions at End User Locations Where 4-Wire DS1 Loop with Channelization with Port Combination Currently Exists and New (Not Currently Combined) in Georgia Only																			
		NRC - 1 DS1/D4 Channel Bank - Add NRC for each Port and Assoc Feature Activation - New GA Only			UEPMG	VUMD4	\$0.00	\$717.71	\$425.81	\$149.08	\$17.69	\$19.99									
		Bipolar 8 Zero Substitution																			
		Clear Channel Capability Format, superframe - Subsequent Activity Only			UEPMG	CCOSF	\$0.00	\$0.00	\$605.00			\$19.99									
		Clear Channel Capability Format - Extended Superframe - Subsequent Activity Only			UEPMG	CCOEF	\$0.00	\$0.00	\$605.00			\$19.99									
		Alternate Mark Inversion (AMI)																			
		Superframe Format			UEPMG	MCOSF	\$0.00	\$0.00	\$0.00												
		Extended Superframe Format			UEPMG	MCOPO	\$0.00	\$0.00	\$0.00												
		Exchange Ports Associated with 4-Wire DS1 Loop with Channelization with Port Exchange Ports																			
		Line Side Combination Channelized PBX Trunk Port - Business			UEPPX	UEPCX	\$1.65	\$0.00	\$0.00	\$0.00	\$0.00	\$19.99									
		Line Side Outward Channelized PBX Trunk Port - Business			UEPPX	UEPOX	\$1.65	\$0.00	\$0.00	\$0.00	\$0.00	\$19.99									
		Line Side Inward Only Channelized PBX Trunk Port without DID			UEPPX	UEP1X	\$1.65	\$0.00	\$0.00	\$0.00	\$0.00	\$19.99									
		2-Wire Trunk Side Unbundled Channelized DID Trunk Port			UEPPX	UEPDM	\$8.86	\$0.00	\$0.00	\$0.00	\$0.00	\$19.99									
		Feature Activations - Unbundled Loop Concentration																			
		Feature (Service) Activation for each Line Side Port Terminated in D4 Bank			UEPPX	1PQWM	\$0.70	\$25.45	\$13.44	\$4.20	\$4.17	\$19.99									
		Feature (Service) Activation for each Trunk Side Port Terminated in D4 Bank			UEPPX	1PQWU	\$0.70	\$78.31	\$18.46	\$59.37	\$11.60	\$19.99									
		Telephone Number/ Group Establishment Charges for DID Service																			
		DID Trunk Termination (1 per Port)			UEPPX	NDT	\$0.00														
		Estab Trk Grp and Provide 1st 20 DID Nos. (FL,GA, NC,& SC)			UEPPX	NDZ	\$0.00	\$0.00	\$0.00			\$19.99									
		DID Numbers - groups of 20 - Valid all States			UEPPX	ND4	\$0.00	\$0.00	\$0.00			\$19.99									
		Non-Consecutive DID Numbers - per number			UEPPX	ND5	\$0.00	\$0.00	\$0.00			\$19.99									
		Reserve Non-Consecutive DID Numbers			UEPPX	ND6	\$0.00	\$0.00	\$0.00												
		Reserve DID Numbers			UEPPX	NDV	\$0.00	\$0.00	\$0.00												
		Local Number Portability																			
		Local Number Portability - 1 per port			UEPPX	LNPCP	\$3.15	\$0.00	\$0.00												
		FEATURES - Vertical and Optional																			
		Local Switching Features Offered with Line Side Ports Only																			
		All Features Available			UEPPX	UEPVF	\$6.45	\$0.00	\$0.00			\$19.99									

BELLSOUTH / METROMEDIA FIBER NETWORK SERVICES RATES
Unbundled Network Elements
TENNESSEE

CATEGORY	NOTES	UNBUNDLED NETWORK ELEMENT	Interim	Zone	BCS	USOC	RATES				OSS RATES													
							Rec	First	Add'l	First	Add'l	SOME C	SOMA N	SOMA N	SOMA N	SOMA N	SOMA N	SOMA N						
																			Nonrecurring	Nonrecurring	Incremental Charge - Manual Svc Order vs. Electronic-1st	Incremental Charge - Manual Svc Order vs. Electronic-Add'l	Incremental Charge - Manual Svc Order vs. Electronic-Disc 1st	Incremental Charge - Manual Svc Order vs. Electronic-Disc Add'l
																			Disconnect					
Geographically Deaveraged UNE Zones and applicable rates have been established for certain services, as shown in this Agreement. Where Geographically Deaveraged UNE Zones and applicable rates are established, Statewide rates are obsolete. Further, BellSouth is in the process of enhancing its billing systems in order to accommodate this Geographically Deaveraged UNE Zone Rate Structure. Until these enhancements are accomplished, estimated to be mid 2001, the UNE Zone 1 rate will be billed for all services residing in Zones 1, 2, 3 or 4, i.e., Rates for services residing in UNE Zones 2, 3 and UNE Zone 4, where applicable, will not be billed. Once billing enhancements are complete, all applicable UNE Zone rates reflected in this Agreement will be billed. Reference Internet Website http://www.interconnection.bellsouth.com/become_clec/docs/interconnection/deavuzns.pdf to view Geographically Deaveraged UNE Zone Designations by Central Office.																								
UNBUNDLED LOCAL EXCHANGE SWITCHING(PORTS)																								
Exchange Ports																								
NOTE: Although the Port Rate includes all available features in GA & TN, the desired features will need to be ordered using retail USOCs																								
2-WIRE VOICE GRADE LINE PORT RATES (RES)																								
		Exchange Ports - 2-Wire Analog Line Port- Res.			UEPSR	UEPRL	\$1.89	\$9.93	\$9.19	\$3.66	\$2.92		\$20.35	\$10.54	\$13.32	\$1.40								
		Exchange Ports - 2-Wire Analog Line Port with Caller ID - Res.			UEPSR	UEPRC	\$1.89	\$9.93	\$9.19	\$3.66	\$2.92		\$20.35	\$10.54	\$13.32	\$1.40								
		Exchange Ports - 2-Wire Analog Line Port outgoing only - Res.			UEPSR	UEPRO	\$1.89	\$9.93	\$9.19	\$3.66	\$2.92		\$20.35	\$10.54	\$13.32	\$1.40								
		Exchange Ports - 2-Wire VG unbundled TN extended local dialing parity Port with Caller ID - Res.			UEPSR	UEPAQ	\$1.89	\$9.93	\$9.19	\$3.66	\$2.92		\$20.35	\$10.54	\$13.32	\$1.40								
		Exchange Ports - 2-Wire VG unbundled Tennessee Area Plus with Caller ID - Res (AC7)			UEPSR	UEPAH	\$1.89	\$9.93	\$9.19	\$3.66	\$2.92		\$20.35	\$10.54	\$13.32	\$1.40								
		Exchange Ports - 2-Wire VG unbundled Tennessee Area Calling port with Caller ID - Res (F2R)			UEPSR	UEPAK	\$1.89	\$9.93	\$9.19	\$3.66	\$2.92		\$20.35	\$10.54	\$13.32	\$1.40								
		Exchange Ports - 2-Wire VG unbundled Tennessee Area Calling port with Caller ID - Res (TACER)			UEPSR	UEPAL	\$1.89	\$9.93	\$9.19	\$3.66	\$2.92		\$20.35	\$10.54	\$13.32	\$1.40								
		Exchange Ports - 2-Wire VG unbundled Tennessee Area Calling port with Caller ID - Res (TACSR)			UEPSR	UEPAM	\$1.89	\$9.93	\$9.19	\$3.66	\$2.92		\$20.35	\$10.54	\$13.32	\$1.40								
		Exchange Ports - 2-Wire VG unbundled Tennessee Area Calling port with Caller ID - Res (1MF2X)			UEPSR	UEPAN	\$1.89	\$9.93	\$9.19	\$3.66	\$2.92		\$20.35	\$10.54	\$13.32	\$1.40								
		Exchange Ports - 2-Wire VG unbundled Tennessee Area Calling port with Caller ID - Res (2MR)			UEPSR	UEPAO	\$1.89	\$9.93	\$9.19	\$3.66	\$2.92		\$20.35	\$10.54	\$13.32	\$1.40								
		Exchange Ports - 2-Wire VG unbundled res, low usage line port with Caller ID (LUM)			UEPSR	UEPAP	\$1.89	\$9.93	\$9.19	\$3.66	\$2.92		\$20.35	\$10.54	\$13.32	\$1.40								
		Subsequent Activity			UEPSR	USASC	\$0.0	\$0.0	\$0.0			\$3.5	\$19.99											
	FEATURES																							
		All Available Vertical Features			UEPSR	UEPVF	\$0.0	\$0.0	\$0.0			\$3.5	\$20.35	\$10.54	\$13.32	\$1.40								
2-WIRE VOICE GRADE LINE PORT RATES (BUS)																								
		Exchange Ports - 2-Wire Analog Line Port without Caller ID - Bus			UEPSB	UEPBL	\$1.89	\$9.93	\$9.19	\$3.66	\$2.92		\$20.35	\$10.54	\$13.32	\$1.40								
		Exchange Ports - 2-Wire VG unbundled Line Port with unbundled port with Caller-E484 ID - Bus.			UEPSB	UEPBC	\$1.89	\$9.93	\$9.19	\$3.66	\$2.92		\$20.35	\$10.54	\$13.32	\$1.40								
		Exchange Ports - 2-Wire Analog Line Port outgoing only - Bus.			UEPSB	UEPBO	\$1.89	\$9.93	\$9.19	\$3.66	\$2.92		\$20.35	\$10.54	\$13.32	\$1.40								
		Exchange Ports - 2-Wire VG unbundled TN extended local dialing parity Port with Caller ID - Bus.			UEPSB	UEPAV	\$1.89	\$9.93	\$9.19	\$3.66	\$2.92		\$20.35	\$10.54	\$13.32	\$1.40								
		Exchange Ports - 2-Wire VG unbundled incoming only port with Caller ID - Bus			UEPSB	UEPB1	\$1.89	\$9.93	\$9.19	\$3.66	\$2.92		\$20.35	\$10.54	\$13.32	\$1.40								
		Exchange Ports - 2-Wire VG unbundled TN Bus 2-Way Area Calling Port Economy Option - Bus (TACC1)			UEPSB	UEPAC	\$1.89	\$9.93	\$9.19	\$3.66	\$2.92		\$20.35	\$10.54	\$13.32	\$1.40								
		Exchange Ports - 2-Wire VG unbundled TN Bus 2-Way Area Calling Port Standard Option - Bus (TACC2)			UEPSB	UEPAD	\$1.89	\$9.93	\$9.19	\$3.66	\$2.92		\$20.35	\$10.54	\$13.32	\$1.40								
		Exchange Ports - 2-W VG unbundled TN Bus 2-Way Collierville & Memphis Local Calling Port - Bus (B2F)			UEPSB	UEPAE	\$1.89	\$9.93	\$9.19	\$3.66	\$2.92		\$20.35	\$10.54	\$13.32	\$1.40								
		Subsequent Activity			UEPSB	USASC	\$0.0	\$0.0	\$0.0			\$3.5	\$19.99											
	FEATURES																							
		All Available Vertical Features			UEPSB	UEPVF	\$0.0	\$0.0	\$0.0			\$3.50	\$20.35	\$10.54	\$13.32	\$1.40								

BELLSOUTH / METROMEDIA FIBER NETWORK SERVICES RATES
Unbundled Network Elements
TENNESSEE

CATEGORY	NOTES	UNBUNDLED NETWORK ELEMENT	Interim	Zone	BCS	USOC	RATES					OSS RATES											
							Rec	First	Add'l	First	Add'l	SOMEC	SOMAN	SOMAN	SOMAN	SOMAN	SOMAN						
																		Nonrecurring	Nonrecurring	Incremental Charge - Manual Svc Order vs. Electronic-1st	Incremental Charge - Manual Svc Order vs. Electronic-Add'l	Incremental Charge - Manual Svc Order vs. Electronic-Disc 1st	Incremental Charge - Manual Svc Order vs. Electronic-Disc Add'l
																			Disconnect				
Svc Order Submitted Elec per LSR	Svc Order Submitted Manually per LSR																						
		EXCHANGE PORT RATES (DID & PBX)																					
		Exchange Ports - 2-Wire DID Port			UEPEX	UEPP2	\$8.97	\$47.75	\$47.01	\$9.21	\$8.47			\$20.35	\$10.54	\$13.32	\$1.40						
		Exchange Ports - DDITS Port - 4-Wire DS1 Port with DID capability			UEPDD	UEPDD	\$35.74	\$75.93	\$38.15	\$8.77	\$8.04												
		Exchange Ports - 2-Wire ISDN Port (See Notes below.)			UEPTX	UEPSX	U1PMA	\$16.26	\$30.23	\$29.49	\$4.10	\$4.10		\$41.43	\$42.17	\$9.80	\$9.80						
		NOTE: Transmission/usage charges associated with POTS circuit switched usage will also apply to circuit switched voice and/or circuit switched data transmission by B-Channels associated with 2-wire ISDN ports.																					
		NOTE: Access to B Channel or D Channel Packet capabilities will be available only through BFR/New Business Request Process. Rates for the packet capabilities will be determined via the Bona Fide Request/New Business Request Process.																					
		Exchange Ports - 2-Wire ISDN Port - Channel Profiles			UEPTX	UEPSX	U1UMA	\$0.00	\$0.00	\$0.00													
		Exchange Ports - 4-Wire ISDN DS1 Port			UEPEX	UEPEX		\$75.04	\$148.66	\$147.18	\$38.46	\$36.98		\$40.69	\$42.17	\$9.07	\$10.54						
		2-Wire VG Unbundled 2-Way PBX Trunk - Res			UEPSE	UEPRD		\$1.79	\$9.93	\$9.19	\$3.66	\$2.92		\$20.35	\$10.54	\$13.32	\$1.40						
		2-Wire VG Line Side Unbundled 2-Way PBX Trunk - Bus			UEPSP	UEPPC		\$1.79	\$9.93	\$9.19	\$3.66	\$2.92		\$20.35	\$10.54	\$13.32	\$1.40						
		2-Wire VG Line Side Unbundled Outward PBX Trunk - Bus			UEPSP	UEPPO		\$1.79	\$9.93	\$9.19	\$3.66	\$2.92		\$20.35	\$10.54	\$13.32	\$1.40						
		2-Wire VG Line Side Unbundled Incoming PBX Trunk - Bus			UEPSP	UEPP1		\$1.79	\$9.93	\$9.19	\$3.66	\$2.92		\$20.35	\$10.54	\$13.32	\$1.40						
		2-Wire Analog Long Distance Terminal PBX Trunk - Bus			UEPSP	UEPLD		\$1.79	\$9.93	\$9.19	\$3.66	\$2.92		\$20.35	\$10.54	\$13.32	\$1.40						
		2-Wire Analog TN 2-Way Calling Plan PBX Trunk - Bus			UEPSP	UEPT2		\$1.79	\$9.93	\$9.19	\$3.66	\$2.92		\$20.35	\$10.54	\$13.32	\$1.40						
		2-Wire TN Outward Calling Plan PBX Trunk - Bus			UEPSP	UEPTO		\$1.79	\$9.93	\$9.19	\$3.66	\$2.92		\$20.35	\$10.54	\$13.32	\$1.40						
		2-Wire Voice Unbundled PBX LD Terminal Ports			UEPSP	UEPLD		\$1.79	\$9.93	\$9.19	\$3.66	\$2.92		\$20.35	\$10.54	\$13.32	\$1.40						
		2-Wire Voice Unbundled 2-Way PBX Tennessee Calling Port			UEPSP	UEPT2		\$1.79	\$9.93	\$9.19	\$3.66	\$2.92		\$20.35	\$10.54	\$13.32	\$1.40						
		2-Wire Voice Unbundled 1-Way Outgoing PBX Tennessee Calling Port			UEPSP	UEPTO		\$1.79	\$9.93	\$9.19	\$3.66	\$2.92		\$20.35	\$10.54	\$13.32	\$1.40						
		2-Wire Voice Unbundled 2-Way PBX Usage Port			UEPSP	UEPXA		\$1.79	\$9.93	\$9.19	\$3.66	\$2.92		\$20.35	\$10.54	\$13.32	\$1.40						
		2-Wire Voice Unbundled PBX Toll Terminal Hotel Ports			UEPSP	UEPXB		\$1.79	\$9.93	\$9.19	\$3.66	\$2.92		\$20.35	\$10.54	\$13.32	\$1.40						
		2-Wire Voice Unbundled PBX LD DDD Terminals Port			UEPSP	UEPXC		\$1.79	\$9.93	\$9.19	\$3.66	\$2.92		\$20.35	\$10.54	\$13.32	\$1.40						
		2-Wire Voice Unbundled PBX LD Terminal Switchboard Port			UEPSP	UEPXD		\$1.79	\$9.93	\$9.19	\$3.66	\$2.92		\$20.35	\$10.54	\$13.32	\$1.40						
		2-Wire Voice Unbundled PBX LD Terminal Switchboard IDD Capable Port			UEPSP	UEPXE		\$1.79	\$9.93	\$9.19	\$3.66	\$2.92		\$20.35	\$10.54	\$13.32	\$1.40						
		2-Wire Voice Unbundled 2-Way PBX Hotel/Hospital Economy Administrative Calling Port			UEPSP	UEPXL		\$1.79	\$9.93	\$9.19	\$3.66	\$2.92		\$20.35	\$10.54	\$13.32	\$1.40						
		2-Wire Voice Unbundled 2-Way PBX Hotel/Hospital Economy Room Calling Port			UEPSP	UEPXM		\$1.79	\$9.93	\$9.19	\$3.66	\$2.92		\$20.35	\$10.54	\$13.32	\$1.40						
		2-Wire Voice Unbundled 1-Way Out PBX Hotel/Hospital Economy Administrative Calling Port TN Calling Port			UEPSP	UEPXN		\$1.79	\$9.93	\$9.19	\$3.66	\$2.92		\$20.35	\$10.54	\$13.32	\$1.40						
		2-Wire Voice Unbundled 1-Way Outgoing PBX Hotel/Hospital Discount Room Calling Port			UEPSP	UEPXD		\$1.79	\$9.93	\$9.19	\$3.66	\$2.92		\$20.35	\$10.54	\$13.32	\$1.40						
		2-Wire Voice Unbundled 1-Way Outgoing PBX Measured Port			UEPSP	UEPXS		\$1.79	\$9.93	\$9.19	\$3.66	\$2.92		\$20.35	\$10.54	\$13.32	\$1.40						
		2-Wire Voice Unbundled PBX Collierville and Memphis Calling Port			UEPSP	UEPXU		\$1.79	\$9.93	\$9.19	\$3.66	\$2.92		\$20.35	\$10.54	\$13.32	\$1.40						
		2-Wire Voice Unbundled 2-Way PBX Tennessee RegionServ Calling Port			UEPSP	UEP XV		\$1.79	\$9.93	\$9.19	\$3.66	\$2.92		\$20.35	\$10.54	\$13.32	\$1.40						
		Subsequent Activity			UEPSP	USASC		\$0.0	\$0.0	\$0.0			\$3.5	\$19.99									
		FEATURES																					
		All Available Vertical Features			UEPSP	UEPSE	UEPVF	\$0.00	\$0.0	\$0.0			\$3.5	\$20.35	\$10.54	\$13.32	\$1.4						
		EXCHANGE PORT RATES (COIN)																					
		Exchange Ports - Coin Port						\$2.11	\$9.93	\$9.19	\$3.66	\$2.92		\$20.35	\$10.54	\$13.32	\$1.40						
		NOTE: Transmission/usage charges associated with POTS circuit switched usage will also apply to circuit switched voice and/or circuit switched data transmission by B-Channels associated with 2-wire ISDN ports.																					

BELLSOUTH / METROMEDIA FIBER NETWORK SERVICES RATES
Unbundled Network Elements
TENNESSEE

CATEGORY	NOTES	UNBUNDLED NETWORK ELEMENT	Interim	Zone	BCS	USOC	RATES					OSS RATES									
							Rec	First	Add'l	First	Add'l	Svc Order Submitted Elec per LSR	Svc Order Submitted Manually per LSR	Incremental Charge - Manual Svc Order vs. Electronic-1st	Incremental Charge - Manual Svc Order vs. Electronic-Add'l	Incremental Charge - Manual Svc Order vs. Electronic-Disc 1st	Incremental Charge - Manual Svc Order vs. Electronic-Disc Add'l				
																		Nonrecurring		Nonrecurring	
																		Disconnect			
SOME C	SOMAN	SOMAN	SOMAN	SOMAN	SOMAN																
<p>NOTE: Access to B Channel or D Channel Packet capabilities will be available only through BFR/New Business Request Process. Rates for the packet capabilities will be determined via the Bona Fide Request/New Business Request Process.</p>																					
UNBUNDLED LOCAL SWITCHING, PORT USAGE																					
		End Office Switching (Port Usage)																			
		End Office Switching Function, Per MOU									\$0.0008041										
		Tandem Switching (Port Usage) (Local or Access Tandem)																			
		Tandem Switching Function Per MOU									\$0.0009778										
		Common Transport																			
		Common Transport - Per Mile, Per MOU									\$0.0000064										
		Common Transport - Facilities Termination Per MOU									\$0.0003871										
UNBUNDLED PORT/LOOP COMBINATIONS																					
UNBUNDLED PORT/LOOP COMBINATIONS - COST BASED RATES																					
<p>Cost Based Rates are applied where BellSouth is required by FCC and/or State Commission rule to provide Unbundled Local Switching or Switch Ports.</p>																					
<p>Features shall apply to the Unbundled Port/Loop Combination - Cost Based Rate section in the same manner as they are applied to the Stand-Alone Unbundled Port section of this Rate Exhibit.</p>																					
<p>End Office and Tandem Switching Usage and Common Transport Usage rates in the Port section of this rate exhibit shall apply to all combinations of loop/port network elements except for UNE Coin Port/Loop Combinations.</p>																					
<p>For Georgia, the recurring UNE Port and Loop charges listed apply to Currently Combined and Not Currently Combined Combos and the first and additional Port nonrecurring charges apply to Not Currently Combined Combos. For Currently Combined Combos in GA and all other states, the nonrecurring charges shall be those identified in the Nonrecurring - Currently Combined sections.</p>																					
2-WIRE VOICE GRADE LOOP WITH 2-WIRE LINE PORT (RES)																					
UNE Port/Loop Combination Rates																					
		2-Wire VG Loop/Port Combo - Zone 1		1							\$14.18										
		2-Wire VG Loop/Port Combo - Zone 2		2							\$18.01										
		2-Wire VG Loop/Port Combo - Zone 3		3							\$23.02										
UNE Loop Rates																					
		2-Wire Voice Grade Loop (SL1) - Zone 1		1	UEPRX	UEPLX					\$12.48										
		2-Wire Voice Grade Loop (SL1) - Zone 2		2	UEPRX	UEPLX					\$16.31										
		2-Wire Voice Grade Loop (SL1) - Zone 3		3	UEPRX	UEPLX					\$21.32										
2-Wire Voice Grade Line Port Rates (Res)																					
		2-Wire voice unbundled port - residence			UEPRX	UEPRL					\$1.7		\$30.89	\$7.03							
		2-Wire voice unbundled port with Caller ID - res			UEPRX	UEPRC					\$1.7		\$30.89	\$7.03							
		2-Wire voice unbundled port outgoing only - res			UEPRX	UEPRO					\$1.7		\$30.89	\$7.03							

BELLSOUTH / METROMEDIA FIBER NETWORK SERVICES RATES
Unbundled Network Elements
TENNESSEE

CATEGORY	NOTES	UNBUNDLED NETWORK ELEMENT	Interim	Zone	BCS	USOC	RATES				OSS RATES											
							Rec	First	Add'l	First	Add'l	SOME C	SOMAN	SOMAN	SOMAN	SOMAN	SOMAN	SOMAN				
																			Nonrecurring		Nonrecurring	
																			Disconnect			
Svc Order Submitted Elec per LSR	Svc Order Submitted Manually per LSR	Incremental Charge - Manual Svc Order vs. Electronic-1st	Incremental Charge - Manual Svc Order vs. Electronic-Add'l	Incremental Charge - Manual Svc Order vs. Electronic-Disc 1st	Incremental Charge - Manual Svc Order vs. Electronic-Disc Add'l																	
		2-Wire voice Grade unbundled Tennessee extended local dialing parity port with Caller ID - res			UEPRX	UEPAQ	\$1.7								\$30.89	\$7.03						
		2-Wire voice unbundled Tennessee Area Plus with Caller ID - res (AC7)			UEPRX	UEPAH	\$1.7								\$30.89	\$7.03						
		2-Wire voice unbundled Tennessee Area Calling port with Caller ID res (F2R)			UEPRX	UEPAK	\$1.7								\$30.89	\$7.03						
		2-Wire voice unbundled Tennessee Area Calling port with Caller ID res (TACER)			UEPRX	UEPAL	\$1.7								\$30.89	\$7.03						
		2-Wire voice unbundled Tennessee Area Calling port with Caller ID res (TACSR)			UEPRX	UEPAM	\$1.7								\$30.89	\$7.03						
		2-Wire voice unbundled Tennessee Area Calling port with Caller ID res (1MF2X)			UEPRX	UEPAN	\$1.7								\$30.89	\$7.03						
		2-Wire voice unbundled Tennessee Area Calling port with Caller ID res (ZMR)			UEPRX	UEPAO	\$1.7								\$30.89	\$7.03						
		2-Wire voice unbundles res, low usage line port with Caller ID (LUM)			UEPRX	UEPAP	\$1.7								\$30.89	\$7.03						
	FEATURES																					
		All Features Offered			UEPRX	UEPVF	\$0.00	\$0.0	\$0.0			\$3.5			\$30.89	\$7.03						
	LOCAL NUMBER PORTABILITY																					
		Local Number Portability (1 per port)			UEPRX	LNPCX	\$0.35															
	NONRECURRING CHARGES (NRCs) - CURRENTLY COMBINED																					
		2-Wire Voice Grade Loop / Line Port Combination - Conversion - Switch-as-is			UEPRX	USAC2		\$1.03	\$0.29						\$30.89	\$7.03						
		2-Wire Voice Grade Loop / Line Port Combination - Conversion - Switch with change			UEPRX	USACC		\$1.03	\$0.29						\$30.89	\$7.03						
		2-Wire Voice Grade Loop / Line Port Combination - Conversion - Subsequent Database Update						\$0.76							\$7.97							
	ADDITIONAL NRCs																					
		2-Wire Voice Grade Loop/Line Port Combination - Subsequent Activity			UEPRX	USAS2	\$0.0	\$0.0	\$0.0			\$3.5	\$19.99									
	2-WIRE VOICE GRADE LOOP WITH 2-WIRE LINE PORT (BUS)																					
	UNE Port/Loop Combination Rates																					
		2-Wire VG Loop/Port Combo - Zone 1		1				\$14.18														
		2-Wire VG Loop/Port Combo - Zone 2		2				\$18.01														
		2-Wire VG Loop/Port Combo - Zone 3		3				\$23.02														
	UNE Loop Rates																					
		2-Wire Voice Grade Loop (SL1) - Zone 1		1	UEPBX	UEPLX		\$12.48														
		2-Wire Voice Grade Loop (SL1) - Zone 2		2	UEPBX	UEPLX		\$16.31														
		2-Wire Voice Grade Loop (SL1) - Zone 3		3	UEPBX	UEPLX		\$21.32														
	2-Wire Voice Grade Line Port (Bus)																					
		2-Wire voice unbundled port without Caller ID - bus			UEPBX	UEPBL		\$1.7					\$30.89	\$7.03								
		2-Wire voice unbundled port with Caller + E484 ID - bus			UEPBX	UEPBC		\$1.7					\$30.89	\$7.03								
		2-Wire voice unbundled port outgoing only - bus			UEPBX	UEPBO		\$1.7					\$30.89	\$7.03								
		2-Wire voice Grade unbundled Tennessee extended local dialing parity port with Caller ID - bus			UEPBX	UEPAV		\$1.7					\$30.89	\$7.03								
		2-Wire voice unbundled incoming only port with Caller ID - Bus			UEPBX	UEPB1		\$1.7					\$30.89	\$7.03								
		2-Wire voice unbundled Tennessee Bus 2-Way Area Calling Port Economy Option (TACC1)			UEPBX	UEPAC		\$1.7					\$30.89	\$7.03								
		2-Wire voice unbundled Tennessee Bus 2-Way Area Calling Port Standard Option (TACC2)			UEPBX	UEPAD		\$1.7					\$30.89	\$7.03								
		2-Wire voice unbundled Tennessee Bus 2-Way Collierville and Memphis Local Calling Port (B2F)			UEPBX	UEPAE		\$1.7					\$30.89	\$7.03								

BELLSOUTH / METROMEDIA FIBER NETWORK SERVICES RATES
Unbundled Network Elements
TENNESSEE

CATEGORY	NOTES	UNBUNDLED NETWORK ELEMENT	Interim	Zone	BCS	USOC	RATES				OSS RATES												
							Rec	First	Add'l	First	Add'l	SOME C	SOMAN	SOMAN	SOMAN	SOMAN	SOMAN						
																		Nonrecurring	Nonrecurring	Incremental Charge - Manual Svc Order vs. Electronic-1st	Incremental Charge - Manual Svc Order vs. Electronic-Add'l	Incremental Charge - Manual Svc Order vs. Electronic-Disc 1st	Incremental Charge - Manual Svc Order vs. Electronic-Disc Add'l
																			Disconnect				
LOCAL NUMBER PORTABILITY																							
		Local Number Portability (1 per port)			UEPBX	LNPCX	\$0.35																
FEATURES																							
		All Features Offered			UEPBX	UEPVF	\$0.00	\$0.0	\$0.0		\$3.5	\$30.89	\$7.03										
NONRECURRING CHARGES (NRCs) - CURRENTLY COMBINED																							
		2-Wire Voice Grade Loop / Line Port Combination - Conversion - Switch-as-is			UEPBX	USAC2		\$1.03	\$0.29			\$30.89	\$7.03										
		2-Wire Voice Grade Loop / Line Port Combination - Conversion - Switch with change			UEPBX	USACC		\$1.03	\$0.29			\$30.89	\$7.03										
		2-Wire Voice Grade Loop / Line Port Combination - Conversion - Subsequent Database Update						\$0.76				\$7.97											
ADDITIONAL NRCs																							
		2-Wire Voice Grade Loop/Line Port Combination - Subsequent Activity			UEPBX	USAS2					\$3.5	\$30.89	\$7.03										
2-WIRE VOICE GRADE LOOP WITH 2-WIRE LINE PORT (RES - PBX)																							
UNE Port/Loop Combination Rates																							
		2-Wire VG Loop/Port Combo - Zone 1		1				\$14.18															
		2-Wire VG Loop/Port Combo - Zone 2		2				\$18.01															
		2-Wire VG Loop/Port Combo - Zone 3		3				\$23.02															
		2-Wire Voice Grade Loop (SL 1) - Zone 1		1	UEPRG	UEPLX		\$12.48															
		2-Wire Voice Grade Loop (SL 1) - Zone 2		2	UEPRG	UEPLX		\$16.31															
		2-Wire Voice Grade Loop (SL 1) - Zone 3		3	UEPRG	UEPLX		\$21.32															
2-Wire Voice Grade Line Port Rates (RES - PBX)																							
		2-Wire VG Unbundled Combination 2-Way PBX Trunk Port - Res			UEPRG	UEPRD		\$1.7				\$30.89	\$7.03										
LOCAL NUMBER PORTABILITY																							
		Local Number Portability (1 per port)			UEPRG	LNPCP		\$3.5															
FEATURES																							
		All Features Offered			UEPRG	UEPVF		\$0.0	\$0.0	\$0.0		\$3.5	\$30.89	\$7.03									
NONRECURRING CHARGES (NRCs) - CURRENTLY COMBINED																							
		2-Wire Voice Grade Loop/ Line Port Combination (PBX) - Conversion - Switch-As-Is			UEPRG	USAC2		\$1.03	\$0.29			\$30.89	\$7.03										
		2-Wire Voice Grade Loop/ Line Port Combination (PBX) - Conversion - Switch with Change			UEPRG	USACC		\$1.03	\$0.29			\$30.89	\$7.03										
		2-Wire Voice Grade Loop / Line Port Combination - Conversion - Subsequent Database Update						\$0.76				\$7.97											
ADDITIONAL NRCs																							
		2-Wire Voice Grade Loop/ Line Port Combination (PBX) - Subsequent Activity			UEPRG	USAS2		\$0.0	\$0.0	\$0.0		\$3.5	\$19.99										
		PBX Subsequent Activity - Change/Rearrange Multiline Hunt Group						\$14.64	\$14.64			\$3.5	\$19.99										
2-WIRE VOICE GRADE LOOP WITH 2-WIRE LINE PORT (BUS - PBX)																							
UNE Port/Loop Combination Rates																							
		2-Wire VG Loop/Port Combo - Zone 1		1				\$14.18															
		2-Wire VG Loop/Port Combo - Zone 2		2				\$18.01															
		2-Wire VG Loop/Port Combo - Zone 3		3				\$23.02															
UNE Loop Rates																							
		2-Wire Voice Grade Loop (SL 1) - Zone 1		1	UEPPX	UEPLX		\$12.48															

BELLSOUTH / METROMEDIA FIBER NETWORK SERVICES RATES
Unbundled Network Elements
TENNESSEE

CATEGORY	NOTES	UNBUNDLED NETWORK ELEMENT	Interim	Zone	BCS	USOC	RATES				OSS RATES															
							Rec	First	Add'l	First	Add'l	SOME C	SOMAN	SOMAN	SOMAN	SOMAN	SOMAN	SOMAN								
																			Nonrecurring	Nonrecurring	Nonrecurring	Nonrecurring	Nonrecurring	Nonrecurring	Nonrecurring	Nonrecurring
																			Disconnect	Disconnect	Disconnect	Disconnect	Disconnect	Disconnect	Disconnect	Disconnect
Svc Order Submitted Elec per LSR	Svc Order Submitted Manually per LSR	Incremental Charge - Manual Svc Order vs. Electronic-1st	Incremental Charge - Manual Svc Order vs. Electronic-Add'l	Incremental Charge - Manual Svc Order vs. Electronic-Disc 1st	Incremental Charge - Manual Svc Order vs. Electronic-Disc Add'l																					
		2-Wire Voice Grade Loop (SL 1) - Zone 2		2	UEPPX	UEPLX	\$16.31																			
		2-Wire Voice Grade Loop (SL 1) - Zone 3		3	UEPPX	UEPLX	\$21.32																			
		2-Wire Voice Grade Line Port Rates (BUS - PBX)																								
		Line Side Unbundled Combination 2-Way PBX Trunk Port - Bus			UEPPX	UEPPC	\$1.7						\$30.89		\$7.03											
		Line Side Unbundled Outward PBX Trunk Port - Bus			UEPPX	UEPPO	\$1.7						\$30.89		\$7.03											
		Line Side Unbundled Incoming PBX Trunk Port - Bus			UEPPX	UEPP1	\$1.7						\$30.89		\$7.03											
		2-Wire Voice Unbundled PBX LD Terminal Ports			UEPPX	UEPLD	\$1.70						\$30.89		\$7.03											
		2-Wire Voice Unbundled 2-Way Combination PBX Tennessee Calling Port			UEPPX	UEPT2	\$1.7						\$30.89		\$7.03											
		2-Wire Voice Unbundled 1-Way Outgoing PBX Tennessee Calling Port			UEPPX	UEPTO	\$1.70						\$30.89		\$7.03											
		2-Wire Voice Unbundled 2-Way Combination PBX Usage Port			UEPPX	UEPXA	\$1.7						\$30.89		\$7.03											
		2-Wire Voice Unbundled PBX Toll Terminal Hotel Ports			UEPPX	UEPXB	\$1.7						\$30.89		\$7.03											
		2-Wire Voice Unbundled PBX LD DDD Terminals Port			UEPPX	UEPXC	\$1.7						\$30.89		\$7.03											
		2-Wire Voice Unbundled PBX LD Terminal Switchboard Port			UEPPX	UEPXD	\$1.7						\$30.89		\$7.03											
		2-Wire Voice Unbundled PBX LD Terminal Switchboard IDD Capable Port			UEPPX	UEPXE	\$1.7						\$30.89		\$7.03											
		2-Wire Voice Unbundled 2-Way PBX Hotel/Hospital Economy Administrative Calling Port			UEPPX	UEPXL	\$1.7						\$30.89		\$7.03											
		2-Wire Voice Unbundled 2-Way PBX Hotel/Hospital Economy Room Calling Port			UEPPX	UEPXM	\$1.7						\$30.89		\$7.03											
		2-Wire Voice Unbundled 1W Out PBX Hotel/Hospital Economy Administrative Calling Port TN Calling Port			UEPPX	UEPXN	\$1.7						\$30.89		\$7.03											
		2-Wire Voice Unbundled 1-Way Outgoing PBX Hotel/Hospital Discount Room Calling Port			UEPPX	UEPXO	\$1.7						\$30.89		\$7.03											
		2-Wire Voice Unbundled 1-Way Outgoing PBX Measured Port			UEPPX	UEPXS	\$1.7						\$30.89		\$7.03											
		2-Wire Voice Unbundled PBX Collierville and Memphis Calling Port			UEPPX	UEPXU	\$1.7						\$30.89		\$7.03											
		2-Wire Voice Unbundled 2-Way PBX Tennessee RegionServ Calling Port			UEPPX	UEPXV	\$1.7						\$30.89		\$7.03											
		LOCAL NUMBER PORTABILITY																								
		Local Number Portability (1 per port)			UEPPX	LNPCP	\$3.15																			
		FEATURES																								
		All Features Offered			UEPPX	UEPVF	\$0.00	\$0.0	\$0.0			\$3.5		\$30.89		\$7.03										
		NONRECURRING CHARGES (NRCs) - CURRENTLY COMBINED																								
		2-Wire Voice Grade Loop/ Line Port Combination (PBX) - Conversion - Switch-As-Is			UEPPX	USAC2		\$1.03	\$0.29				\$30.89		\$7.03											
		2-Wire Voice Grade Loop/ Line Port Combination (PBX) - Conversion - Switch with Change			UEPPX	USACC		\$1.03	\$0.29				\$30.89		\$7.03											
		2-Wire Voice Grade Loop / Line Port Combination - Conversion - Subsequent Database Update						\$0.76					\$7.97													
		ADDITIONAL NRCs																								
		2-Wire Voice Grade Loop/ Line Port Combination (PBX) - Subsequent Activity			UEPPX	USAS2	\$0.0	\$0.0	\$0.0			\$3.5	\$19.99													
		PBX Subsequent Activity - Change/Rearrange Multiline Hunt Group						\$14.64	\$14.64			\$3.5	\$19.99													
		UNE Port/Loop Combination Rates																								
		2-Wire VG Coin Port/Loop Combo - Zone 1					\$14.36																			
		2-Wire VG Coin Port/Loop Combo - Zone 2					\$18.19																			
		2-Wire VG Coin Port/Loop Combo - Zone 3					\$23.20																			
		UNE Loop Rates																								
		2-Wire Voice Grade Loop (SL1) - Zone 1			UEPCO	UEPLX	\$12.48																			
		2-Wire Voice Grade Loop (SL1) - Zone 2			UEPCO	UEPLX	\$16.31																			
		2-Wire Voice Grade Loop (SL1) - Zone 3			UEPCO	UEPLX	\$21.32																			

BELLSOUTH / METROMEDIA FIBER NETWORK SERVICES RATES
Unbundled Network Elements
TENNESSEE

CATEGORY	NOTES	UNBUNDLED NETWORK ELEMENT	Interim	Zone	BCS	USOC	RATES				OSS RATES												
							Rec	First	Add'l	First	Add'l	SOME C	SOMAN	SOMAN	SOMAN	SOMAN	SOMAN						
																		Nonrecurring	Nonrecurring	Incremental Charge - Manual Svc Order vs. Electronic-1st	Incremental Charge - Manual Svc Order vs. Electronic-Add'l	Incremental Charge - Manual Svc Order vs. Electronic-Disc 1st	Incremental Charge - Manual Svc Order vs. Electronic-Disc Add'l
																			Disconnect				
Svc Order Submitted Elec per LSR	Svc Order Submitted Manually per LSR																						
2-Wire Voice Grade Line Ports (COIN)																							
		2-Wire Coin 2-Way without Operator Screening and without Blocking (TN)			UEPCO	UEPTB	\$1.88						\$30.89	\$7.03									
		2-Wire Coin 2-Way with Operator Screening and Blocking: 011, 900/976, 1+DDD (NC, TN)			UEPCO	UEPRP	\$1.88						\$30.89	\$7.03									
		2-Wire Coin 2-Way with Operator Screening and 011 Blocking (TN)			UEPCO	UEPTA	\$1.88						\$30.89	\$7.03									
		2-Wire Coin 2-Way with Operator Screening: 900 Blocking: 900/976, 1+DDD, 011+, and Local (NC, TN)			UEPCO	UEPCA	\$1.88						\$30.89	\$7.03									
		2-Wire Coin Outward with Operator Screening and 011 Blocking (TN)			UEPCO	UEPTC	\$1.88						\$30.89	\$7.03									
		2-Wire Coin Outward with Operator Screening and Blocking: 900/976, 1+DDD, 011+, and Local (TN)			UEPCO	UEPOT	\$1.88						\$30.89	\$7.03									
		2-Wire 2-Way Smartline with 900/976 (all states except LA)			UEPCO	UEPCK	\$1.88						\$30.89	\$7.03									
		2-Wire Coin Outward Smartline with 900/976 (all states except LA)			UEPCO	UEPCR	\$1.88						\$30.89	\$7.03									
ADDITIONAL UNE COIN PORT/LOOP (RC)																							
		UNE Coin Port/Loop Combo Usage (Flat Rate)			UEPCO	URECU	\$3.45	\$0.0	\$0.0														
		Local Number Portability (1 per port)			UEPCO	LNPCX	\$0.35																
		2-Wire Voice Grade Loop / Line Port Combination - Conversion - Switch-as-is			UEPCO	USAC2		\$1.03	\$0.29				\$30.89	\$7.03									
		2-Wire Voice Grade Loop / Line Port Combination - Conversion - Switch with change			UEPCO	USACC		\$1.03	\$0.29				\$30.89	\$7.03									
		2-Wire Voice Grade Loop/Line Port Combination - Subsequent Activity			UEPCO	USAS2		\$0.0	\$0.0		\$3.5		\$30.89	\$7.03									
2-WIRE VOICE GRADE LOOP- BUS ONLY - WITH 2-WIRE DID TRUNK PORT																							
UNE Port/Loop Combination Rates																							
		2-Wire VG Loop/2-Wire DID Trunk Port Combo - UNE Zone 1		1			\$18.38																
		2-Wire VG Loop/2-Wire DID Trunk Port Combo - UNE Zone 2		2			\$19.87																
		2-Wire VG Loop/2-Wire DID Trunk Port Combo - UNE Zone 3		3			\$24.78																
		2-Wire Analog Voice Grade Loop - (SL2) - UNE Zone 1		1	UEPPX	UECD1	\$9.60	\$75.06	\$48.20	\$28.70	\$17.64		\$19.99										
		2-Wire Analog Voice Grade Loop - (SL2) - UNE Zone 2		2	UEPPX	UECD1	\$11.09	\$75.06	\$48.20	\$28.70	\$17.61		\$19.99										
		2-Wire Analog Voice Grade Loop - (SL2) - UNE Zone 3		3	UEPPX	UECD1	\$16.00	\$75.06	\$48.20	\$28.70	\$17.64		\$19.99										
		Exchange Ports - 2-Wire DID Port			UEPPX	UEPD1	\$8.78	\$47.75	\$47.01	\$9.21	\$8.47		\$19.99										
NONRECURRING CHARGES - CURRENTLY COMBINED																							
		2-Wire Voice Grade Loop / 2-Wire DID Trunk Port Combination - Switch-as-is			UEPPX	USAC1		\$8.76	\$5.75				\$19.99										
		2-Wire Voice Grade Loop / 2-Wire DID Trunk Port Conversion with BellSouth Allowable Changes			UEPPX	USA1C		\$8.76	\$5.75				\$19.99										
Telephone Number/Trunk Group Establishment Charges																							
		DID Trunk Termination (One Per Port)			UEPPX	NDT	\$0.00	\$0.00	\$0.00				\$19.99										
		Additional DID Numbers for each Group of 20 DID Numbers			UEPPX	ND4	\$0.00	\$0.00	\$0.00				\$19.99										
		DID Numbers, Non- consecutive DID Numbers , Per Number			UEPPX	ND5	\$0.00	\$0.00	\$0.00														
		Reserve Non-Consecutive DID numbers			UEPPX	ND6	\$0.00	\$0.00	\$0.00														
		Reserve DID Numbers			UEPPX	NDV	\$0.00	\$0.00	\$0.00														
LOCAL NUMBER PORTABILITY																							
		Local Number Portability (1 per port)			UEPPX	LNPCP	\$3.15																
2-WIRE ISDN DIGITAL GRADE LOOP WITH 2-WIRE ISDN DIGITAL LINE SIDE PORT																							
UNE Port/Loop Combination Rates																							
		2W ISDN Digital Grade Loop/2W ISDN Digital Line Side Port - UNE Zone 1		1	UEPPB	UEPPR	\$32.27																

BELLSOUTH / METROMEDIA FIBER NETWORK SERVICES RATES
Unbundled Network Elements
TENNESSEE

CATEGORY	NOTES	UNBUNDLED NETWORK ELEMENT	Interim	Zone	BCS	USOC	RATES					OSS RATES						
							Rec	First	Add'l	First	Add'l	Svc Order Submitted Elec per LSR	Svc Order Submitted Manually per LSR	Incremental Charge - Manual Svc Order vs. Electronic-1st	Incremental Charge - Manual Svc Order vs. Electronic-Add'l	Incremental Charge - Manual Svc Order vs. Electronic-Disc 1st	Incremental Charge - Manual Svc Order vs. Electronic-Disc Add'l	
										Nonrecurring	Disconnect							
		2W ISDN Digital Grade Loop/2W ISDN Digital Line Side Port - UNE Zone 2		2	UEPPB UEPPR		\$34.78											
		2W ISDN Digital Grade Loop/2W ISDN Digital Line Side Port - UNE Zone 3		3	UEPPB UEPPR		\$44.32											
		2-Wire ISDN Digital Grade Loop - UNE Zone 1		1	UEPPB UEPPR	USL2X	\$16.20	\$142.76	\$88.88	\$76.35	\$39.16							
		2-Wire ISDN Digital Grade Loop - UNE Zone 2		2	UEPPB UEPPR	USL2X	\$18.71	\$142.76	\$88.88	\$76.35	\$39.16		\$19.99					
		2-Wire ISDN Digital Grade Loop - UNE Zone 3		3	UEPPB UEPPR	USL2X	\$28.25	\$142.76	\$88.88	\$76.35	\$39.16		\$19.99					
		Exchange Port - 2-Wire ISDN Line Side Port			UEPPB UEPPR	UEPPB	\$16.07	\$30.23	\$29.49				\$19.99					
		NONRECURRING CHARGES - CURRENTLY COMBINED																
		2-Wire ISDN Digital Grade Loop / 2-Wire ISDN Line Side Port Combination - Conversion			UEPPB UEPPR	USACB	\$0.0	\$117.23	\$117.23				\$19.99					
		ADDITIONAL NRCs																
		2-Wire ISDN Loop / 2-Wire ISDN Port Combination - Sub Actvy - Non Feature/Add Trunk			UEPPB UEPPR	USASB		\$212.88										
		LOCAL NUMBER PORTABILITY																
		Local Number Portability (1 per port)			UEPPB UEPPR	LNPCX	\$0.35	\$0.00	\$0.00									
		B-CHANNEL USER PROFILE ACCESS:																
		CVS/CSD (DMS/5ESS)			UEPPB UEPPR	U1UCA	\$0.00	\$0.00	\$0.00									
		CVS (EWSD)			UEPPB UEPPR	U1UCB	\$0.00	\$0.00	\$0.00									
		CSD			UEPPB UEPPR	U1UCC	\$0.00	\$0.00	\$0.00									
		B-CHANNEL AREA PLUS USER PROFILE ACCESS: (AL,KY,LA,MS SC,MS, & TN)																
		CVS/CSD (DMS/5ESS)			UEPPB UEPPR	U1UCD	\$0.00	\$0.00	\$0.00									
		CVS (EWSD)			UEPPB UEPPR	U1UCE	\$0.00	\$0.00	\$0.00									
		CSD			UEPPB UEPPR	U1UCF	\$0.00	\$0.00	\$0.00									
		USER TERMINAL PROFILE																
		User Terminal Profile (EWSD only)			UEPPB UEPPR	U1UMA	\$0.00	\$0.00	\$0.00									
		VERTICAL FEATURES																
		All Vertical Features - One per Channel B User Profile			UEPPB UEPPR	UEPVF	\$0.00	\$0.00	\$0.00									
		Interoffice Channel mileage each, including first mile and facilities termination			UEPPB UEPPR	M1GNC	\$17.91	\$53.99	\$17.37				\$0.0					
		Interoffice Channel mileage each, additional mile			UEPPB UEPPR	M1GNM	\$0.1730	\$0.0	\$0.0				\$0.0	\$0.0				
		4-WIRE DS1 DIGITAL LOOP WITH 4-WIRE ISDN DS1 DIGITAL TRUNK PORT																
		UNE Port/Loop Combination Rates																
		4W DS1 Digital Loop/4W ISDN DS1 Digital Trunk Port - UNE Zone 1		1	UEPPP		\$132.58											
		4W DS1 Digital Loop/4W ISDN DS1 Digital Trunk Port - UNE Zone 2		2	UEPPP		\$150.25											
		4W DS1 Digital Loop/4W ISDN DS1 Digital Trunk Port - UNE Zone 3		3	UEPPP		\$173.44											
		4-Wire DS1 Digital Loop - UNE Zone 1		1	UEPPP	USL4P	\$57.73	\$313.08	\$219.72	\$96.86	\$40.45		\$19.99					
		4-Wire DS1 Digital Loop - UNE Zone 2		2	UEPPP	USL4P	\$75.40	\$313.08	\$219.72	\$96.86	\$40.45		\$19.99					
		4-Wire DS1 Digital Loop - UNE Zone 3		3	UEPPP	USL4P	\$98.59	\$313.08	\$219.72	\$96.86	\$40.55		\$19.99					
		Exchange Ports - 4-Wire ISDN DS1 Port			UEPPP	UEPPP	\$74.85	\$148.66	\$147.18	\$38.46	\$36.98		\$19.99					
		NONRECURRING CHARGES - CURRENTLY COMBINED																
		4-Wire DS1 Digital Loop / 4-Wire ISDN DS1 Digital Trunk Port Combination - Conversion -Switch-as-is			UEPPP	USACP	\$0.00	\$328.53	\$328.53				\$19.99					
		ADDITIONAL NRCs																

BELLSOUTH / METROMEDIA FIBER NETWORK SERVICES RATES
 Unbundled Network Elements
 TENNESSEE

CATEGORY	NOTES	UNBUNDLED NETWORK ELEMENT	Interim	Zone	BCS	USOC	RATES				OSS RATES								
							Rec	First	Add'l	First	Add'l	Svc Order Submitted Elec per LSR	Svc Order Submitted Manually per LSR	Incremental Charge - Manual Svc Order vs. Electronic-1st	Incremental Charge - Manual Svc Order vs. Electronic-Add'l	Incremental Charge - Manual Svc Order vs. Electronic-Disc 1st	Incremental Charge - Manual Svc Order vs. Electronic-Disc Add'l		
																		Nonrecurring	Nonrecurring
																		Disconnect	
SOMECH	SOMAN	SOMAN	SOMAN	SOMAN	SOMAN														
		4-Wire DS1 Loop/4-W ISDN Digt Trk Port - Subsqnt Actvy-Inward/two way tel nos within Std Allowance			UEPPP	PR7TF		\$0.9400							\$19.99				
		4-Wire DS1 Loop / 4-Wire ISDN DS1 Digital Trunk Port - Outward Tel Numbers (All States except NC)			UEPPP	PR7TO		\$22.36	\$22.36						\$19.99				
		4-Wire DS1 Loop / 4-Wire ISDN DS1 Digital Trk Port - Subsequent Inward Tel Nos Above Std Allowance			UEPPP	PR7ZT		\$44.71	\$44.70						\$19.99				
LOCAL NUMBER PORTABILITY																			
		Local Number Portability (1 per port)			UEPPP	LNPCN		\$1.75											
INTERFACE (Provisioning Only)																			
		Voice/Data			UEPPP	PR71V		\$0.00	\$0.00	\$0.00									
		Digital Data			UEPPP	PR71D		\$0.00	\$0.00	\$0.00									
		Inward Data			UEPPP	PR71E		\$0.00	\$0.00	\$0.00									
New or Additional "B" Channel																			
		New or Additional - Voice/Data B Channel			UEPPP	PR7BV		\$0.00	\$28.39										
		New or Additional - Digital Data B Channel			UEPPP	PR7BF		\$0.00	\$29.11						\$19.99				
		New or Additional Inward Data B Channel			UEPPP	PR7BD		\$0.00	\$29.39						\$19.99				
		New or Additional Usage Sensitive Voice Data B Channel			UEPPP	PR7BS		\$0.00	\$28.39						\$19.19				
		New or Additional Usage Sensitive Digital Data B Channel			UEPPP	PR7BU		\$0.00	\$28.39						\$19.99				
CALL TYPES																			
		Inward			UEPPP	PR7C1		\$0.00	\$0.0	\$0.0									
		Outward			UEPPP	PR7C0		\$0.00	\$0.00	\$0.00									
		Two-way			UEPPP	PR7CC		\$0.00	\$0.00	\$0.00									
Interoffice Channel Mileage																			
		Fixed Each Including First Mile			UEPPP	1LN1A		\$76.1825	\$145.98	\$109.85	\$19.55				\$19.99				
		Each Airline-Fractional Additional Mile			UEPPP	1LN1B		\$0.3525											
4-WIRE DS1 DIGITAL LOOP WITH 4-WIRE DDITS TRUNK PORT																			
UNE Port/Loop Combination Rates																			
		4W DS1 Digital Loop/4W DDITS Trunk Port - UNE Zone 1		1	UEPDC			\$93.28											
		4W DS1 Digital Loop/4W DDITS Trunk Port - UNE Zone 2		2	UEPDC			\$110.95							\$19.99				
		4W DS1 Digital Loop/4W DDITS Trunk Port - UNE Zone 3		3	UEPDC			\$134.14							\$19.99				
		4-Wire DS1 Digital Loop - UNE Zone 1		1	UEPDC	USLDC		\$57.53	\$313.08	\$219.72	\$96.86	\$40.45			\$19.99				
		4-Wire DS1 Digital Loop - UNE Zone 2		2	UEPDC	USLDC		\$75.40	\$313.08	\$219.72	\$96.86	\$40.45			\$19.99				
		4-Wire DS1 Digital Loop - UNE Zone 3		3	UEPDC	USLDC		\$98.59	\$313.08	\$219.72	\$96.86	\$40.45			\$19.99				
		4-Wire DDITS Digital Trunk Port			UEPDC	UDD1T		\$35.55	\$75.93	\$38.15					\$19.99				
NONRECURRING CHARGES - CURRENTLY COMBINED																			
		4-Wire DS1 Digital Loop / 4-Wire DDITS Trunk Port Combination - Switch-as-is			UEPDC	USAC4			\$312.91	\$312.91					\$19.99				
		4-Wire DS1 Digital Loop / 4-Wire DDITS Trunk Port Combination - Conversion with DS1 Changes			UEPDC	USAWA			\$312.91	\$312.91					\$19.99				
		4-Wire DS1 Digital Loop / 4-Wire DDITS Trunk Port Combination - Conversion with Change - Trunk			UEPDC	USAWB			\$312.91	\$312.91					\$19.99				
ADDITIONAL NRCs																			
		4-Wire DS1 Loop / 4-Wire DDITS Trunk Port - Subsequent Service Activity Per Service Order			UEPDC	USAS4		\$94.88	\$94.88										
		4-Wire DS1 Loop / 4-Wire DDITS Trunk Port - NRC - Subsequent Channel Activation/Chan - 2-Way Trunk			UEPDC	UDTTA		\$108.67	\$108.67						\$19.99				
		4-Wire DS1 Loop / 4-Wire DDITS Trunk Port - Subsequent Channel Activation/Chan - 1-Way Outward Trunk			UEPDC	UDTTB		\$108.67	\$108.67						\$19.99				
		4-Wire DS1 Loop / 4-Wire DDITS Trunk Port - Subsqnt Channel Activation/Chan Inward Trunk w/out DID			UEPDC	UDTTC		\$108.67	\$108.67						\$19.99				

BELLSOUTH / METROMEDIA FIBER NETWORK SERVICES RATES
Unbundled Network Elements
TENNESSEE

CATEGORY	NOTES	UNBUNDLED NETWORK ELEMENT	Interim	Zone	BCS	USOC	RATES				OSS RATES												
							Rec	First	Add'l	First	Add'l	SOME C	SOMAN	SOMAN	SOMAN	SOMAN	SOMAN						
																		Nonrecurring	Nonrecurring	Incremental Charge - Manual Svc Order vs. Electronic-1st	Incremental Charge - Manual Svc Order vs. Electronic-Add'l	Incremental Charge - Manual Svc Order vs. Electronic-Disc 1st	Incremental Charge - Manual Svc Order vs. Electronic-Disc Add'l
																			Disconnect				
		4-Wire DS1 Loop / 4-Wire DDITS Trunk Port - Subsqnt Chan Activation Per Chan - Inward Trunk with DID			UEPDC	UDTTD		\$108.67	\$108.67														
		4-Wire DS1 Loop / 4-Wire DDITS Trunk Port - Subsqnt Chan Activation / Chan - 2-Way DID w User Trans			UEPDC	UDTTE		\$108.67	\$108.67		\$19.99												
		BIPOLAR 8 ZERO SUBSTITUTION																					
		B8ZS -Superframe Format			UEPDC	CCOSF		\$0.0	\$590.00		\$19.99												
		B8ZS - Extended Superframe Format			UEPDC	CCOEF		\$0.0	\$590.00		\$19.99												
		Alternate Mark Inversion																					
		AMI -Superframe Format			UEPDC	MCOSF		\$0.00	\$0.00														
		AMI - Extended SuperFrame Format			UEPDC	MCOPO		\$0.00	\$0.00														
		Telephone Number/Trunk Group Establishment Charges																					
		Telephone Number for 2-Way Trunk Group			UEPDC	UDTGX	\$0.00																
		Telephone Number for 1-Way Outward Trunk Group			UEPDC	UDTGY	\$0.00				\$19.99												
		Telephone Number for 1-Way Inward Trunk Group Without DID			UEPDC	UDTGZ	\$0.00				\$19.99												
		DID Numbers for each Group of 20 DID Numbers			UEPDC	ND4	\$0.00				\$19.99												
		DID Numbers, Non- consecutive DID Numbers , Per Number			UEPDC	ND5	\$0.00				\$19.99												
		Reserve Non-Consecutive DID Nos.			UEPDC	ND6	\$0.00	\$0.00	\$0.00														
		Reserve DID Numbers			UEPDC	NDV	\$0.00	\$0.00	\$0.00		\$19.99												
		Dedicated DS1 (Interoffice Channel Mileage) - FX/FCO for 4-Wire DS1 Digital Loop with 4-Wire DDITS Trunk Port																					
		Interoffice Channel Mileage - Fixed rate 0-8 miles (Facilities Termination)			UEPDC	1LNO1	\$75.83	\$145.98	\$109.85	\$19.66	\$14.99	\$19.99											
		Interoffice Channel Mileage - Additional rate per mile - 0-8 miles			UEPDC	1LNOA	\$0.3525	\$0.00	\$0.00			\$19.99											
		Interoffice Channel Mileage - Fixed rate 9-25 miles (Facilities Termination)			UEPDC	1LNO2	\$0.0000	\$0.0	\$0.0														
		Interoffice Channel Mileage - Additional rate per mile - 9-25 miles			UEPDC	1LNOB	\$0.3525	\$0.00	\$0.00														
		Interoffice Channel Mileage - Fixed rate 25+ miles (Facilities Termination)			UEPDC	1LNO3	\$0.00	\$0.00	\$0.00	\$0.00													
		Interoffice Channel Mileage - Additional rate per mile - 25+ miles			UEPDC	1LNOC	\$0.3525	\$0.00	\$0.00														
		Local Number Portability , per DS0 Activated			UEPDC	LNPCP	\$3.15	\$0.00	\$0.00	\$0.00													
		Central Office Terminating Point			UEPDC	CTG	\$0.00																
		4-WIRE DS1 LOOP WITH CHANNELIZATION WITH PORT																					
		System is 1 DS1 Loop, 1 D4 Channel Bank, and up to 24 Feature Activations																					
		Each System can have up to 24 combinations of rates depending on type and number of ports used																					
		UNE DS1 Loop																					
		4-Wire DS1 Loop - UNE Zone 1			UEPMG	USLDC	\$57.73	\$0.00	\$0.00		\$19.99												
		4-Wire DS1 Loop - UNE Zone 2			UEPMG	USLDC	\$75.40	\$0.00	\$0.00		\$19.99												
		4-Wire DS1 Loop - UNE Zone 3			UEPMG	USLDC	\$98.59	\$0.00	\$0.00		\$19.99												
		UNE DSO Channelization Capacities (D4 Channel Bank Configurations)																					
		24 DSO Channel Capacity - 1 per DS1			UEPMG	VUM24	\$131.87	\$0.00	\$0.00		\$19.99												
		48 DSO Channel Capacity - 1 per 2 DS1s			UEPMG	VUM48	\$263.74	\$0.00	\$0.00		\$19.99												
		96 DSO Channel Capacity -1per 4 DS1s			UEPMG	VUM96	\$527.48	\$0.00	\$0.00		\$19.99												
		144 DSO Channel Capacity - 1 per 6 DS1s			UEPMG	VUM144	\$791.42	\$0.00	\$0.00		\$19.99												
		192 DSO Channel Capacity -1 per 8 DS1s			UEPMG	VUM192	\$827.76	\$0.00	\$0.00		\$19.99												
		240 DSO Channel Capacity - 1 per 10 DS1s			UEPMG	VUM240	\$1,318.70	\$0.00	\$0.00		\$19.99												

BELLSOUTH / METROMEDIA FIBER NETWORK SERVICES RATES
Unbundled Network Elements
TENNESSEE

CATEGORY	NOTES	UNBUNDLED NETWORK ELEMENT	Interim	Zone	BCS	USOC	RATES					OSS RATES					
							Rec	First	Add'l	First	Add'l	Svc Order Submitted Elec per LSR	Svc Order Submitted Manually per LSR	Incremental Charge - Manual Svc Order vs. Electronic-1st	Incremental Charge - Manual Svc Order vs. Electronic-Add'l	Incremental Charge - Manual Svc Order vs. Electronic-Disc 1st	Incremental Charge - Manual Svc Order vs. Electronic-Disc Add'l
							Nonrecurring		Nonrecurring		Disconnect						
		288 DS0 Channel Capacity - 1 per 12 DS1s			UEPMG	VUM28	\$1,582.44	\$0.00	\$0.00								
		384 DS0 Channel Capacity - 1 per 16 DS1s			UEPMG	VUM38	\$2,109.92	\$0.00	\$0.00				\$19.99				
		480 DS0 Channel Capacity - 1 per 20 DS1s			UEPMG	VUM40	\$2,637.40	\$0.00	\$0.00				\$19.99				
		576 DS0 Channel Capacity - 1 per 24 DS1s			UEPMG	VUM57	\$3,164.88	\$0.00	\$0.00				\$19.99				
		672 DS0 Channel Capacity - 1 per 28 DS1s			UEPMG	VUM67	\$3,692.36	\$0.00	\$0.00				\$19.99				
Non-Recurring Charges (NRC) Associated with 4-Wire DS1 Loop with Channelization with Port - Conversion Charge Based on a System																	
A Minimum System configuration is One (1) DS1, One (1) D4 Channel Bank, and Up To 24 DSO Ports with Feature Activations.																	
Multiples of this configuration functioning as one are considered Add'l after the minimum system configuration is counted.																	
		NRC - Conversion (Currently Combined) with or without BellSouth Allowed Changes			UEPMG	USAC4	\$0.00	\$303.61	\$15.74				\$19.99				
System Additions at End User Locations Where 4-Wire DS1 Loop with Channelization with Port Combination Currently Exists and																	
New (Not Currently Combined) in Georgia Only																	
		NRC - 1 DS1/D4 Channel Bank - Add NRC for each Port and Assoc Feature Activation - New GA Only			UEPMG	VUMD4	\$0.00	\$704.68	\$441.48	\$138.36	\$16.41		\$19.99				
Bipolar 8 Zero Substitution																	
		Clear Channel Capability Format, superframe - Subsequent Activity Only			UEPMG	CCOSF	\$0.00	\$0.00	\$590.00				\$19.99				
		Clear Channel Capability Format - Extended Superframe - Subsequent Activity Only			UEPMG	CCOEF	\$0.00	\$0.00	\$590.00				\$19.99				
Alternate Mark Inversion (AMI)																	
		Superframe Format			UEPMG	MCOSF	\$0.00	\$0.00	\$0.00								
		Extended Superframe Format			UEPMG	MCOPO	\$0.00	\$0.00	\$0.00								
Exchange Ports Associated with 4-Wire DS1 Loop with Channelization with Port																	
Exchange Ports																	
		Line Side Combination Channelized PBX Trunk Port - Business			UEPPX	UEPCX	\$1.79	\$0.00	\$0.00	\$0.00	\$0.00		\$19.99				
		Line Side Outward Channelized PBX Trunk Port - Business			UEPPX	UEPOX	\$1.79	\$0.00	\$0.00	\$0.00	\$0.00		\$19.99				
		Line Side Inward Only Channelized PBX Trunk Port without DID			UEPPX	UEP1X	\$1.79	\$0.00	\$0.00	\$0.00	\$0.00		\$19.99				
		2-Wire Trunk Side Unbundled Channelized DID Trunk Port			UEPPX	UEPDM	\$8.97	\$0.00	\$0.00	\$0.00	\$0.00		\$19.99				
Feature Activations - Unbundled Loop Concentration																	
		Feature (Service) Activation for each Line Side Port Terminated in D4 Bank			UEPPX	1PQWM	\$0.66	\$23.94	\$12.64	\$3.82	\$3.80		\$19.99				
		Feature (Service) Activation for each Trunk Side Port Terminated in D4 Bank			UEPPX	1PQUW	\$0.66	\$73.67	\$17.37	\$54.09	\$10.57		\$19.99				
Telephone Number/ Group Establishment Charges for DID Service																	
		DID Trunk Termination (1 per Port)			UEPPX	NDT	\$0.00										
		DID Numbers - groups of 20 - Valid all States			UEPPX	ND4	\$0.00	\$0.00	\$0.00								
		Non-Consecutive DID Numbers - per number			UEPPX	ND5	\$0.00	\$0.00	\$0.00				\$19.99				
		Reserve Non-Consecutive DID Numbers			UEPPX	ND6	\$0.00	\$0.00	\$0.00								
		Reserve DID Numbers			UEPPX	NDV	\$0.00	\$0.00	\$0.00								
Local Number Portability																	
		Local Number Portability - 1 per port			UEPPX	LNPCP	\$3.15	\$0.00	\$0.00								
FEATURES - Vertical and Optional																	
Local Switching Features Offered with Line Side Ports Only																	
		All Features Available			UEPPX	UEPVF	\$0.00	\$0.00	\$0.00				\$19.99				

BELLSOUTH / METROMEDIA FIBER NETWORK SERVICES RATES
 Unbundled Network Elements
 TENNESSEE

CATEGORY	NOTES	UNBUNDLED NETWORK ELEMENT	Interim	Zone	BCS	USOC	RATES				OSS RATES								
							Rec	First	Add'l	First	Add'l	Svc Order Submitted Elec per LSR	Svc Order Submitted Manually per LSR	Incremental Charge - Manual Svc Order vs. Electronic-1st	Incremental Charge - Manual Svc Order vs. Electronic-Add'l	Incremental Charge - Manual Svc Order vs. Electronic-Disc 1st	Incremental Charge - Manual Svc Order vs. Electronic-Disc Add'l		
																		Nonrecurring	Nonrecurring
																		Disconnect	
							SOME	SOMAN	SOMAN	SOMAN	SOMAN	SOMAN							
SOME	SOMAN	SOMAN	SOMAN	SOMAN	SOMAN														

ATTACHMENT 3
NETWORK INTERCONNECTION

TABLE OF CONTENTS

1. Network Interconnection.....4

2. Interconnection Trunk Group Architectures6

3. Network Design And Management For Interconnection13

4. Local Dialing Parity16

5. Interconnection Compensation16

6. Frame Relay Service Interconnection22

7. Operational Support Systems (OSS).....25

Rates **Exhibit A**

Basic Architecture **Exhibit B**

One Way Architecture **Exhibit C**

Two Way Architecture **Exhibit D**

Supergroup Architecture **Exhibit E**

NETWORK INTERCONNECTION

1. GENERAL

- 1.1 The Parties shall provide interconnection with each other's networks for the transmission and routing of telephone exchange service (local) and exchange access (intraLATA toll and switched access) on the following terms:

2. DEFINITIONS: (FOR THE PURPOSE OF THIS ATTACHMENT)

- 2.1 For purposes of this attachment only, the following terms shall have the definitions set forth below:
- 2.1.1 **Call Termination** has the meaning set forth for "termination" in 47CFR § 51.701(d).
- 2.1.2 **Call Transport** has the meaning set forth for "transport" in 47 CFR § 51.701(c).
- 2.1.3 **Call Transport and Termination** is used collectively to mean the switching and transport functions from the Interconnection Point to the last point of switching.
- 2.1.4 **Common (Shared) Transport** is defined as the transport of the originating Party's traffic by the terminating Party over the terminating Party's common (shared) facilities between (1) the terminating Party's tandem switch and end office switch, (2) between the terminating Party's tandem switches, and/or (3) between the terminating Party's host and remote end office switches. All switches referred herein must be entered into the Local Exchange Routing Guide ("LERG").
- 2.1.5 **Dedicated Interoffice Facility** is defined as a switch transport facility between a Party's Serving Wire Center and the first point of switching on the other Party's common (shared) network.
- 2.1.6 **End Office Switching** is defined as the function that establishes a communications path between the trunk side and line side of the End Office switch.
- 2.1.7 **Fiber Meet** is an interconnection arrangement whereby the Parties physically interconnect their networks via an optical fiber interface at which one Party's facilities, provisioning, and maintenance responsibility begins and the other Party's responsibility ends.
- 2.1.8 **Interconnection Point ("IP")** is the physical telecommunications equipment interface that performs the interconnection function for BellSouth and <<customer_name>>.

- 2.1.9 **Local Channel** is defined as a switched transport facility between a Party's Interconnection Point and it's the IP's Serving Wire Center.
- 2.1.10 **Local Traffic** is as defined in Section 5 of this Attachment.
- 2.1.11 **Serving Wire Center** is defined as the wire center owned by one Party from which the other Party would normally obtain dial tone for its IP.
- 2.1.12 **Tandem Switching** is defined as the function that establishes a communications path between two switching offices through a third switching office through the provision of trunk side to trunk side switching.
- 2.1.13 **Transit Traffic** is traffic originating on <<customer_name>>'s network that is switched and/or transported by BellSouth and delivered to a third party's network, or traffic originating on a third Party's network that is switched and/or transported by BellSouth and delivered to <<customer_name>>'s network.

3. NETWORK INTERCONNECTION

- 3.1 This Attachment pertains only to the provision of network interconnection where <<customer_name>> owns and provides its switch(es).
- 3.2 Network interconnection may be provided by the Parties at any technically feasible point within BellSouth's network. Requests to BellSouth for interconnection at points other than as set forth in this Attachment may be made through the Bona Fide Request/New Business Request process set out in this Agreement.
- 3.2.1 Each Party is responsible for providing, engineering and maintaining the network on its side of the IP. The IP must be located within BellSouth's serving territory in the LATA in which local traffic is originating. The IP determines the point at which the originating Party shall pay the terminating Party for the Call Transport and Termination of that traffic.
- 3.2.1.1 When first establishing the interconnection arrangement in each LATA, the location of the IP shall be established by mutual agreement of the Parties. In selecting the IP, both Parties will act in good faith and select the point which is most efficient for both Parties. If the Parties are unable to agree on the location of the IP, each Party will designate the Inform its originated traffic. Additional IP(s) in a particular LATA may be established by mutual agreement of the Parties. If the Parties are unable to agree to additional IPs, each Party will designate the IP for its originated traffic. When the Parties agree to utilize two-way interconnection trunk groups for the exchange of Local Traffic, the Parties must agree to the location of the IP(s).

3.3 Interconnection via Dedicated Facilities

- 3.3.1 **Local Channel Facilities.** As part of network interconnection, the originating Party may obtain Local Channel facilities from the terminating Party. The portion of Local Channel facilities utilized for Local Traffic shall be determined based upon the application of the Percent Local Facility (PLF) Factor. The charges applied to the portion of the Local Channel used for Local Traffic as determined by the PLF are as set forth in Exhibit A to this Attachment.
- 3.3.2 **Dedicated Interoffice Facilities.** As a part of network interconnection, the originating Party may obtain Dedicated Interoffice Facilities. The portion of Dedicated Interoffice Facilities utilized for Local Traffic shall be determined based upon the application of the Percent Local Facility (PLF) Factor. The charges applied to the portion of the Dedicated Interoffice Facility used for Local Traffic as determined by the PLF are as set forth in Exhibit A to this Attachment.

3.4 Fiber Meet

- 3.4.1 If <<customer_name>> elects to interconnect with BellSouth pursuant to a Fiber Meet, <<customer_name>> and BellSouth shall jointly engineer, operate and maintain a Synchronous Optical Network ("SONET") transmission system by which they shall interconnect their transmission and routing of Local Traffic via a Local Channel at either the DS1 or DS3 level. The Parties shall work jointly to determine the specific transmission system. However, <<customer_name>>'s SONET transmission system must be compatible with BellSouth's equipment, and the Data Communications Channel (DCC) must be turned off.
- 3.4.2 Each Party, at its own expense, shall procure, install and maintain the agreed upon SONET transmission system in its network .
- 3.4.3 The Parties shall agree to a Fiber Meet point between the BellSouth Serving Wire Center and the <<customer_name>> Serving Wire Center. The Parties shall deliver their fiber optic facilities to the Fiber Meet point with sufficient spare length to reach the fusion splice point for the Fiber Meet Point. BellSouth shall, at its own expense, provide and maintain the fusion splice point for the Fiber Meet. A building type Common Language Location Identification ("CLLI") code will be established for each Fiber Meet point. All orders for interconnection facilities from the Fiber Meet point shall indicate the Fiber Meet point as the originating point for the facility .
- 3.4.4 Upon verbal request by <<customer_name>>, BellSouth shall allow <<customer_name>> access to the fusion splice point for the Fiber Meet point for maintenance purposes on <<customer_name>>'s side of the Fiber Meet point.
- 3.4.5 Neither Party shall charge the other for it's the Local Channel portion of the Fiber Meet facility used exclusively for Local Traffic . All the appropriate charges will apply. Charges for switched and special access services shall be billed in accordance with the applicable access service tariff.

4. INTERCONNECTION TRUNK GROUP ARCHITECTURES

- 4.1 BellSouth and <<customer_name>> shall establish interconnecting trunk groups and trunk group configurations between networks, including the use of one-way or two-way trunks in accordance with the following provisions set forth in this Agreement. For trunking purposes, traffic will be routed based on the digits dialed by the originating end user and in accordance with the LERG.
- 4.2 <<customer_name>> shall establish an interconnection trunk group(s) to at least one BellSouth access tandem within the LATA for the delivery of <<customer_name>>'s originated Local Traffic and for the receipt and delivery of Transit Traffic. To the extent <<customer_name>> desires to deliver Local Traffic and/or Transit Traffic BellSouth access tandems within the LATA, other than the tandems(s) to which <<customer_name>> has established interconnection trunk groups , <<customer_name>> shall order Multiple Tandem Access, as described in this Attachment, to such other BellSouth access tandems.
- 4.2.1 Notwithstanding the forgoing, <<customer_name>> shall establish an interconnection trunk group(s) to all BellSouth access and local tandems in the LATA where <<customer_name>> has homed (i.e. assigned) its NPA/NXXs. <<customer_name>> shall home its NPA/NXXs on the BellSouth tandems that serve the exchange rate center areas to which the NPA/NXXs are assigned. The specified exchange rate center assigned to each BellSouth tandem is defined in the LERG. <<customer_name>> shall enter its NPA/NXX access and/or local tandem homing arrangements into the LERG.
- 4.3 Switched access traffic will be delivered to and from Interexchange Carriers (IXCs) based on <<customer_name>>'s NXX access tandem homing arrangement as specified by <<customer_name>> in the LERG.
- 4.4 Any <<customer_name>> interconnection request that (1) deviates from the interconnection trunk group architectures as described in this Agreement, (2) affects traffic delivered to <<customer_name>> from a BellSouth switch, and (3) requires special BellSouth switch translations and other network modifications will require <<customer_name>> to submit a Bona Fide Request/New Business Request (BFR/NBR) via the BFR/NBR Process as set forth in this Agreement.
- 4.5 Recurring and non-recurring rates associated with interconnecting trunk groups between BellSouth and <<customer_name>> are set forth in Exhibit A. To the extent a rate associated with the interconnecting trunk group is not set forth in Exhibit A, the rate shall be as set forth in the appropriate BellSouth tariff for switched access services.
- 4.6 For two-way trunk groups that carry only both Parties' Local Traffic , the Parties shall be compensated at 50% of the nonrecurring and recurring rates for dedicated

trunks and facilities . <<customer_name>> shall be responsible for ordering and paying for any two-way trunks carrying Transit Traffic.

- 4.7 All trunk groups will be provisioned as Signaling System 7 (SS7) capable where technically feasible. If SS7 is not technically feasible multi-frequency (MF) protocol signaling shall be used.
- 4.8 In cases where <<customer_name>> is also an IXC, the IXC's Feature Group D (FG D) trunk group(s) must remain separate from the local interconnection trunk group(s).
- 4.9 Each Party shall order interconnection trunks and trunk group, including trunk and trunk group augmentations via the ASR process. A Firm Order Confirmation (FOC) shall be returned to the ordering Party, after receipt of a valid, error free ASR, within the timeframes set forth in Attachment 9 to this Agreement. Notwithstanding the foregoing, blocking situations and projects shall be managed through BellSouth's Local Interconnection Switching Center (LISC) Project Management Group and <<customer_name>>'s equivalent trunking group, and FOCs for such orders shall be returned in the timeframes applicable to the project. A project is defined as (1) a new trunk group or (2) a request for more than 96 trunks on a single or multiple group(s) in a given BellSouth local calling area.
- 4.10 **Interconnection Trunk Groups for Exchange of Local Traffic and Transit Traffic**
- 4.10.1 Upon mutual agreement of the Parties in a joint planning meeting, the Parties' shall exchange Local Traffic on two-way interconnection trunk group(s) with the quantity of trunks being mutually determined and the provisioning being jointly coordinated. Furthermore, the Parties shall agree upon the IP(s) for two-way interconnection trunk groups transporting both Parties Local Traffic . <<customer_name>> shall order such two-way trunks via the Access Service Request (ASR) process. . BellSouth will use the Trunk Group Service Request (TGSR) to request changes in trunking. Furthermore, the Parties shall jointly review trunk performance and forecasts on a periodic basis. The Parties use of two-way interconnection trunk groups for the transport of Local Traffic between the Parties does not preclude either Party from establishing additional one-way interconnection trunks for the delivery of its originated Local Traffic to the other Party.
- 4.10.2 **BellSouth Access Tandem Interconnection**
- 4.10.2.1 BellSouth access tandem interconnection at a single access tandem provides access to those end offices subtending that access tandem ("Intratandem Access"). Access tandem interconnection is available for any of the following access tandem architectures

4.10.2.2 **Basic Architecture**

4.10.2.2.1 In the basic architecture, <<customer_name>>'s originating Local Traffic and originating and terminating Transit Traffic is transported on a single two-way trunk group between <<customer_name>> and BellSouth access tandem(s) within a LATA to provide Intratandem Access. This trunk group carries Transit Traffic between <<customer_name>> and Independent Companies, Interexchange Carriers, other CLECs, CMRS providers that have a Meet Point Billing arrangement with BellSouth, and other network providers with which <<customer_name>> desires to exchange traffic. This trunk group also carries <<customer_name>> originated Transit Traffic transiting a single BellSouth access tandem destined to third party tandems such as an Independent Company tandem or other CLEC tandem. BellSouth originated Local Traffic is transported on a separate single one-way trunk group terminating to <<customer_name>>. Other trunk groups for operator services, directory assistance, emergency services and intercept must be established if service is requested. The LERG contains current routing and tandem serving arrangements. The basic Architecture is illustrated in Exhibit B.

4.10.2.3 **One-Way Trunk Group Architecture**

4.10.2.3.1 In one-way trunk group architecture, the Parties interconnect using three separate trunk groups. A one-way trunk group provides Intratandem Access for <<customer_name>>-originated Local Traffic destined for BellSouth end-users. A second one-way trunk group carries BellSouth-originated Local Traffic destined for <<customer_name>> end-users. A two-way trunk group provides Intratandem Access for <<customer_name>>'s originating and terminating Transit Traffic. This trunk group carries Transit Traffic between <<customer_name>> and Independent Companies, Interexchange Carriers, other CLECs, CMRS providers that have a Meet Point Billing arrangement with BellSouth, and other network providers with which <<customer_name>> desires to exchange traffic. This trunk group also carries <<customer_name>> originated Transit Traffic transiting a single BellSouth access tandem destined to third party tandems such as an Independent Company tandem or other CLEC tandem. BellSouth originated Local Traffic is transported on a separate single one-way trunk group terminating to <<customer_name>>. Other trunk groups for operator services, directory assistance, emergency services and intercept must be established if service is requested. The LERG contains current routing and tandem serving arrangements. The one-way trunk group architecture is illustrated in Exhibit C.

4.10.2.4 **Two-Way Trunk Group Architecture**

4.10.2.4.1 Upon agreement of the Parties as set forth in Section 4.10.1 above, the two-way trunk group Architecture establishes one two-way trunk group to provide Intratandem Access for the exchange of Local Traffic between <<customer_name>> and BellSouth. In addition, a separate two-way transit trunk

group must be established for <<customer_name>>'s originating and terminating Transit Traffic. This trunk group carries Transit Traffic between <<customer_name>> and Independent Companies, Interexchange Carriers, other CLECs, CMRS providers that have a Meet Point Billing arrangement with BellSouth, and other network providers with which <<customer_name>> desires to exchange traffic. This trunk group also carries <<customer_name>> originated Transit Traffic transiting a single BellSouth access tandem destined to third party tandems such as an Independent Company tandem or other CLEC tandem. BellSouth originated Local Traffic is transported on a separate single one-way trunk group terminating to <<customer_name>>. Other trunk groups for operator services, directory assistance, emergency services and intercept must be established if service is requested. The LERG contains current routing and tandem serving arrangements. The two-way trunk group architecture is illustrated in Exhibit D.

4.10.2.5 **Supergroup Architecture**

4.10.2.5.1 Upon agreement of the Parties as set forth in Section 4.10.1 above, the Parties may establish a supergroup architecture. In the supergroup architecture, the Parties' Local Traffic and <<customer_name>>'s Transit Traffic are exchanged on a single two-way trunk group between <<customer_name>> and BellSouth to provide Intratandem Access to <<customer_name>>. This trunk group carries Transit Traffic between <<customer_name>> and Independent Companies, Interexchange Carriers, other CLECs, CMRS providers that have a Meet Point Billing arrangement with BellSouth, and other network providers with which <<customer_name>> desires to exchange traffic. This trunk group also carries <<customer_name>> originated Transit Traffic transiting a single BellSouth access tandem destined to third party tandems such as an Independent Company tandem or other CLEC tandem. BellSouth originated Local Traffic is transported on a separate single one-way trunk group terminating to <<customer_name>>. Other trunk groups for operator services, directory assistance, emergency services and intercept must be established if service is requested. The LERG contains current routing and tandem serving arrangements. The supergroup architecture is illustrated in Exhibit D..

4.10.3 **Multiple Tandem Access Interconnection**

4.10.3.1 Where <<customer_name>> does not choose access tandem interconnection at every BellSouth access tandem within a LATA, <<customer_name>> may utilize BellSouth multiple tandem access interconnection (MTA). To utilize MTA <<customer_name>> must establish an interconnection trunk group(s) at a BellSouth access tandem through multiple BellSouth access tandems within the LATA as required. BellSouth will route <<customer_name>>'s originated Local Traffic for LATA wide transport and termination. <<customer_name>> must also establish an interconnection trunk group(s) at all BellSouth access tandems where <<customer_name>> NXXs are homed as described in Section 4.2.1 above. If

<<customer_name>> does not have NXXs homed at any particular BellSouth access tandem within a LATA and elects not to establish an interconnection trunk group(s) at such BellSouth access tandem, <<customer_name>> can order MTA in each BellSouth access tandem within the LATA where it does have an interconnection trunk group(s) and BellSouth will terminate <<customer_name>>'s Local Traffic to end-users served through those BellSouth access tandems where <<customer_name>> does not have an interconnection trunk group(s). MTA shall be provisioned in accordance with BellSouth's Ordering Guidelines.

4.10.3.2 <<customer_name>> may also utilize MTA to route its originated Transit Traffic; provided, however, that MTA may not be utilized to route switched access traffic that transits the BellSouth network to an Interexchange Carrier (IXC). Switched access traffic originated by or terminated to <<customer_name>> will be delivered to and from IXCs based on <<customer_name>>'s NXX access tandem homing arrangement as specified by <<customer_name>> in the LERG.

4.10.3.3 Compensation for MTA shall be at the applicable tandem switching and transport charges specified in Exhibit A to this Attachment and shall be billed in addition to any Call Transport and Termination charges.

4.10.3.4 To the extent <<customer_name>> does not purchase MTA in a LATA served by multiple access tandems, <<customer_name>> must establish an interconnection trunk group(s) to every access tandem in the LATA to serve the entire LATA. To the extent <<customer_name>> routes its traffic in such a way that utilizes BellSouth's MTA service without properly ordering MTA service, <<customer_name>> agrees to pay BellSouth the associated transport and termination charges.

4.10.4 **Local Tandem Interconnection**

4.10.4.1 Local Tandem Interconnection arrangement allows <<customer_name>> to establish an interconnection trunk group(s) at BellSouth local tandems for: (1) the delivery of <<customer_name>>-originated Local Traffic transported and terminated by BellSouth to BellSouth end offices within the local calling area as defined in BellSouth's General Subscriber Services Tariff (GSST), section A3 served by those BellSouth local tandems, and (2) for local Transit Traffic transported by BellSouth for third party network providers who have also established an interconnection trunk group(s) at those BellSouth local tandems.

4.10.4.2 When a specified local calling area is served by more than one BellSouth local tandem, <<customer_name>> must designate a "home" local tandem for each of its assigned NPA/NXXs and establish trunk connections to such local tandems. Additionally, <<customer_name>> may choose to establish an interconnection trunk group(s) at the BellSouth local tandems where it has no codes homing but is not required to do so. <<customer_name>> may deliver Local Traffic to a

“home” BellSouth local tandem that is destined for other BellSouth or third party network provider end offices subtending other BellSouth local tandems in the same local calling area where <<customer_name>> does not choose to establish an interconnection trunk group(s). It is <<customer_name>>’s responsibility to enter its own NPA/NXX local tandem homing arrangements into the LERG either directly or via a vendor in order for other third party network providers to determine appropriate traffic routing to <<customer_name>>’s codes. Likewise, <<customer_name>> shall obtain its routing information from the LERG.

- 4.10.4.3 Notwithstanding establishing an interconnection trunk group(s) to BellSouth’s local tandems, <<customer_name>> must also establish an interconnection trunk group(s) to BellSouth access tandems within the LATA on which <<customer_name>> has NPA/NXXs homed for the delivery of Interexchange Carrier Switched Access (SWA) and toll traffic, and traffic to Type 2A CMRS connections located at the access tandems. BellSouth shall not switch SWA traffic through more than one BellSouth access tandem. SWA, Type 2A CMRS or toll traffic routed to the local tandem in error will not be backhauled to the BellSouth access tandem for completion. (Type 2A CMRS interconnection is defined in BellSouth’s A35 General Subscriber Services Tariff).
- 4.10.4.4 BellSouth’s provisioning of local tandem interconnection assumes that <<customer_name>> has executed the necessary Local Interconnection Agreements with the other third party network providers subtending those local tandems as required by the Act.
- 4.10.5 **Direct End Office-to-End Office Interconnection**
- 4.10.5.1 Direct End Office-to-End Office one-way or two-way interconnection trunk groups allow for the delivery of a Party’s originating local or intraLATA toll traffic to the terminating Party on a direct end office-to-end office basis.
- 4.10.5.2 The Parties shall utilize direct end office-to-end office trunk groups under the following conditions:
- 4.10.5.2.1 (1) Tandem Exhaust - If a tandem through which the Parties are interconnected is unable to, or is forecasted to be unable to support additional traffic loads for any period of time, the Parties will mutually agree on an end office trunking plan that will alleviate the tandem capacity shortage and ensure completion of traffic between <<customer_name>> and BellSouth’s subscribers.
- 4.10.5.2.2 (2) Traffic Volume –To the extent either Party has the capability to measure the amount of traffic between a <<customer_name>> switching center and a BellSouth end office, either Party shall install and retain direct end office trunking sufficient to handle actual or reasonably forecasted traffic volumes, whichever is greater, between a <<customer_name>> switching center and a BellSouth end office where the traffic exceeds or is forecasted to exceed a single DS1 of traffic

per month. Either Party will install additional capacity between such points when overflow traffic between <<customer_name>>'s switching center and BellSouth's end office exceeds or is forecasted to exceed a single DS1 of traffic per month. In the case of one way trunking, additional trunking shall only be required by the Party whose trunking has achieved the preceding usage threshold.

4.10.5.2.3 (3) Mutual Agreement - The Parties may install direct end office trunking upon mutual agreement in the absence of conditions (1) or (2) above, and agreement will not unreasonably be withheld.

4.10.6 **Transit Traffic Trunk Group**

4.10.6.1 Transit Traffic trunks can either be two-way trunks or two one-way trunks ordered by <<customer_name>> to deliver and receive local and intraLATA toll Transit Traffic from third parties, such as Independent Companies and other CLECs, via BellSouth access tandems (or BellSouth local tandems for Local Traffic), and Switched Access traffic to and from Interexchange Carriers via BellSouth access tandems pursuant to the Transit Traffic section of this Attachment. Establishing Transit Traffic trunks at BellSouth access and local tandems provides intratandem access to the third parties also interconnected at those tandems.

4.10.6.2 **Toll Free Traffic**

4.10.6.2.1 If <<customer_name>> chooses BellSouth to handle Toll Free database queries from its switches, all <<customer_name>> originating Toll Free traffic will be routed over the Transit Traffic Trunk Group.

4.10.6.2.2 All originating Toll Free Service (Toll Free) calls for which <<customer_name>> requests that BellSouth perform the Service Switching Point ("SSP") function (i.e., perform the database query) shall be delivered using GR-394 format over the Transit Traffic Trunk Group. Carrier Code "0110" and Circuit Code (to be determined for each LATA) shall be used for all such calls.

4.10.6.2.3 <<customer_name>> may handle its own Toll Free database queries from its switch. If so, <<customer_name>> will determine the nature (local/intraLATA/interLATA) of the Toll Free call based on the response from the database. If the query determines that the call is a BellSouth local or intraLATA Toll Free number, <<customer_name>> will route the post-query local or IntraLATA converted ten-digit local number to BellSouth over the local or intraLATA trunk group. If the query determines that the call is a third party (ICO or other CLEC) local or intraLATA Toll Free number, <<customer_name>> will route the post-query local or intraLATA converted ten-digit local number to BellSouth over the Transit Traffic Trunk Group. In such case, <<customer_name>> is to provide a Toll Free billing record when appropriate. If the query reveals the call is an interLATA Toll Free number, <<customer_name>> will route the post-query interLATA call (Toll Free number)

directly from its switch for carriers interconnected with its network or over the Transit Traffic Trunk Group to carriers not directly connected to its network but are connected to BellSouth's access tandem. Calls will be routed to BellSouth over the local/intraLATA and Transit Traffic Trunk Groups within the LATA in which the calls originate.

- 4.10.6.2.4 All post-query Toll Free Service (Toll Free) calls for which <<customer_name>> performs the SSP function, if delivered to BellSouth, shall be delivered using GR-394 format for calls destined to IXCs, and GR-317 format for calls destined to end offices that directly subtend the BellSouth access tandem.

5. NETWORK DESIGN AND MANAGEMENT FOR INTERCONNECTION

- 5.1 Network Management and Changes. Both Parties will work cooperatively with each other to install and maintain the most effective and reliable interconnected telecommunications networks, including but not limited to, the exchange of toll-free maintenance contact numbers and escalation procedures. Both Parties agree to provide public notice of changes in the information necessary for the transmission and routing of services using its local exchange facilities or networks, as well as of any other changes that would affect the interoperability of those facilities and networks.

- 5.2 Interconnection Technical Standards. The interconnection of all networks will be based upon accepted industry/national guidelines for transmission standards and traffic blocking criteria. Interconnecting facilities shall conform, at a minimum, to the telecommunications industry standard of DS-1 pursuant to Bellcore Standard No. TR-NWT-00499. Signal transfer point, Signaling System 7 ("SS7") connectivity is required at each interconnection point. BellSouth will provide out-of-band signaling using Common Channel Signaling Access Capability where technically and economically feasible, in accordance with the technical specifications set forth in the BellSouth Guidelines to Technical Publication, TR-TSV-000905. Facilities of each Party shall provide the necessary on-hook, off-hook answer and disconnect supervision and shall hand off calling number ID (Calling Party Number) when technically feasible.

- 5.3 Quality of Interconnection. The local interconnection for the transmission and routing of telephone exchange service and exchange access that each Party provides to each other will be at least equal in quality to what it provides to itself and any subsidiary or affiliate, where technically feasible, or to any other Party to which each Party provides local interconnection.

- 5.4 Network Management Controls. Both Parties will work cooperatively with each other to apply sound network management principles by invoking appropriate network management controls (e.g., call gapping) to alleviate or prevent network congestion.

5.5 Common Channel Signaling. Both Parties will provide LEC-to-LEC Common Channel Signaling (“CCS”) to each other, where available, in conjunction with all traffic in order to enable full interoperability of CLASS features and functions except for call return. All CCS signaling parameters will be provided, including automatic number identification (“ANI”), originating line information (“OLI”) calling company category, charge number, etc. All privacy indicators will be honored, and each Party will cooperate with each other on the exchange of Transactional Capabilities Application Part (“TCAP”) messages to facilitate full interoperability of CCS-based features between the respective networks. Neither Party shall alter the CCS parameters, or be a party to altering such parameters, or knowingly pass CCS parameters that have been altered in order to circumvent appropriate interconnection charges.

5.6 Signaling Call Information. BellSouth and <<customer_name>> will send and receive 10 digits for Local Traffic. Additionally, BellSouth and <<customer_name>> will exchange the proper call information, i.e. originated call company number and destination call company number, CIC, and OZZ, including all proper translations for routing between networks and any information necessary for billing.

5.7 **Forecasting for Trunk Provisioning**

5.7.1 Within six (6) months after execution of this agreement, <<customer_name>> shall provide an initial interconnection trunk group forecast for each LATA that it shall provide service within BellSouth’s region. Upon receipt of <<customer_name>>’s forecast, the Parties shall schedule and participate in a joint planning meeting to develop a joint interconnection trunk group forecast. Each forecast provided under this Section shall be deemed “Confidential Information” under the General Terms and Conditions of this Agreement.

5.7.1.1 At a minimum, the forecast shall include the projected quantity of Transit Trunks, <<customer_name>>-to-BellSouth one-way trunks (“<<customer_name>> Trunks”), BellSouth-to-<<customer_name>> one-way trunks (“Reciprocal Trunks”) and/or two-way interconnection trunks, if the Parties have agreed to interconnect using two-way trunking to transport the Parties’ local and intraLATA toll. The quantities shall be projected for a minimum of six months in advance and shall include the current year plus next two years total forecasted quantities. Considering <<customer_name>>’s provided forecast, the Parties shall mutually develop Reciprocal Trunk and/or two-way interconnection trunk forecast quantities for the time periods listed and to be included within the initial forecast.

5.7.1.2 Additionally all forecasts shall include, at a minimum, Access Carrier Terminal Location (“ACTL”), trunk group type (local/intraLATA toll, Transit, Operator Services, 911, etc.), A location/Z location (CLLI codes for <<customer_name>> location and BellSouth location where the trunks shall terminate), interface type (e.g., DS1), Direction of Signaling, Trunk Group Number, if known, (commonly

referred to as the 2-6 code) and forecasted trunks in service each year (cumulative).

- 5.7.2 Each Party shall exercise its best efforts to provide the quantity of interconnection trunks mutually forecasted. However, the provision of the forecasted quantity of interconnection trunks is subject to trunk terminations and facility capacity existing at the time the trunk order is submitted. Furthermore, the receipt and development of trunk forecasts does not imply any liability for failure to perform if capacity (trunk terminations or facilities) is not available for use at the forecasted time.
- 5.7.3 The submitting and development of interconnection trunk forecasts shall not replace the ordering process in place for local interconnection trunks.
- 5.7.4 Once initial interconnection trunk forecasts have been developed, <<customer_name>> shall continue to provide interconnection trunk forecasts on a semiannual basis or at otherwise mutually agreeable intervals. <<customer_name>> shall use its best efforts to make the forecasts as accurate as possible based on reasonable engineering criteria. Interconnection trunk forecasts shall be updated and provided to BellSouth on an as needed basis, but no less frequently than semiannually and no more frequently than monthly. Upon receipt of <<customer_name>>'s forecast, including forecast updates, the Parties shall confer to mutually develop BellSouth Reciprocal Trunk and/or two-way interconnection trunk forecasted quantities for the listed time periods within such subsequent forecasts.
- 5.8 **Trunk Utilization**
- 5.8.1 BellSouth and <<customer_name>> shall monitor traffic on each interconnection trunk group that is installed pursuant to the initial interconnection trunk requirements and subsequent forecasts. At any time after the end of a calendar quarter, based on a review of the capacity utilization during such quarter for installed reciprocal trunk groups and/or two-way interconnection trunk groups, subject to the provisions of the section following, BellSouth may disconnect any non-utilized or under-utilized reciprocal trunk(s) and <<customer_name>> shall refund to BellSouth any associated trunk and facility charges paid by BellSouth. BellSouth may request <<customer_name>> to disconnect any under-utilized two-way interconnection trunk(s), if BellSouth has determined that the trunk group is not being utilized at eighty-five percent (85%) of the time consistent busy hour utilization level, provided that the Parties have not otherwise agreed. <<customer_name>> shall comply with all such requests, subject to Section 3.8.1.1 below. Under-utilized trunks are defined as the trunks being utilized at less than 85% as a result of a time consistent busy hour utilization.
- 5.8.1.1 BellSouth's LISC will notify the <<customer_name>> of any under-utilized reciprocal trunk groups and the number of trunks that BellSouth wishes to

disconnect. BellSouth will provide supporting information either by email or facsimile to the designated <<customer_name>> interface. <<customer_name>> will provide concurrence with the disconnection in seven (7) business days or will provide specific information supporting why the trunks should not be disconnected. Such supporting information should include expected Local Number Ported (LNP) and traffic volumes and the timeframes within which <<customer_name>> expects to need such trunks. BellSouth's LISC Project Manager and Circuit Capacity Manager will discuss the information with <<customer_name>> to determine if agreement can be reached on the number of trunks to be removed. If no agreement can be reached, BellSouth will issue disconnect orders to <<customer_name>>. The due date of these orders will be four weeks after <<customer_name>> was first notified in writing of the underutilization of the trunk groups.

5.8.1.2 <<customer_name>> monitors all direct trunks from <<customer_name>> to BellSouth. If <<customer_name>> wishes to disconnect any such trunks, <<customer_name>> shall issue an ASR to do so.

5.8.2 To the extent that any interconnection trunk group is utilized at a time-consistent busy hour of eighty-five percent (85%) or greater, the Parties shall negotiate in good faith for the installation of augmented facilities.

6. LOCAL DIALING PARITY

6.1 BellSouth and <<customer_name>> shall provide local and toll dialing parity to each other with no unreasonable dialing delays. Dialing parity shall be provided for all originating telecommunications services that require dialing to route a call. BellSouth and <<customer_name>> shall permit similarly situated telephone exchange service end users to dial the same number of digits to make a local telephone call notwithstanding the identity of the end user's or the called party's telecommunications service provider.

7. INTERCONNECTION COMPENSATION

7.1 Compensation for Call Transportation and Termination for Local Traffic

7.1.1 For reciprocal compensation between the Parties pursuant to this Attachment, Local Traffic is defined as any circuit switched call that is originated by an end user of one Party and terminated to an end user of the other Party within a given LATA on that other Party's network, except for those calls that are originated or terminated through switched access arrangements as established by the ruling regulatory body.

7.1.1.1 Additionally, Local Traffic includes any cross boundary, voice-to-voice intrastate, interLATA or interstate, interLATA calls established as a local call by the ruling regulatory body.

- 7.1.2 ISP-bound Traffic is defined as calls to an information service provider or Internet service provider (“ISP”) that are dialed by using a local dialing pattern (7 or 10 digits) by a calling party in one exchange or local calling area to an ISP server or modem in the same exchange or local calling area. ISP-bound Traffic is not considered Local Traffic subject to reciprocal compensation, but instead is information traffic subject to interstate access.
- 7.1.3 Neither Party shall pay compensation to the other Party for the transportation and termination of Local Traffic or ISP-bound Traffic.
- 7.1.4 The elemental rates set forth in Exhibit A of this Attachment shall apply for Transit Traffic as described in Sections 7.9 and 7.9.1 below.
- 7.1.5 Neither Party shall represent Switched Access Traffic as Local Traffic or ISP-bound Traffic for purposes of payment of reciprocal compensation.
- 7.1.6 If <<customer_name>> assigns NPA/NXXs to specific BellSouth rate centers within the LATA and assigns numbers from those NPA/NXXs to <<customer_name>> end users physically located outside of that LATA, BellSouth traffic originating from within the LATA where the NPA/NXXs are assigned and delivered to a <<customer_name>> customer physically located outside of such LATA, shall not be deemed Local Traffic, and no compensation from BellSouth to <<customer_name>> shall be due therefor. Further, <<customer_name>> agrees to identify such interLATA traffic to BellSouth and to compensate BellSouth for originating and transporting such interLATA traffic to <<customer_name>> at BellSouth’s switched access tariff rates.
- 7.2 If <<customer_name>> does not identify such interLATA traffic to BellSouth, to the best of BellSouth’s ability BellSouth will determine which whole <<customer_name>> NPA/NXXs on which to charge the applicable rates for originating network access service as reflected in BellSouth’s Access Service Tariff. BellSouth shall make appropriate billing adjustments if <<customer_name>> can provide sufficient information for BellSouth to determine whether or not said traffic is Local Traffic.
- 7.3 **Percent Local Use.** Each Party shall report to the other a Percent Local Usage (“PLU”). The application of the PLU will determine the amount of local minutes to be billed to the other Party. For purposes of developing the PLU, each Party shall consider every local call and every long distance call, excluding Transit Traffic. Each Party shall update its PLU on the first of January, April, July and October of the year and shall send it to the other Party to be received no later than 30 calendar days after the first of each such month based on local usage for the past three months ending the last day of December, March, June and September, respectively. Requirements associated with PLU calculation and reporting shall be as set forth in BellSouth’s Jurisdictional Factors Reporting Guide, as it is amended from time to time. Notwithstanding the foregoing, where the

terminating Party has message recording technology that identifies the jurisdiction of traffic terminated as defined in this Agreement, such information, in lieu of the PLU factor, shall at the terminating Party's option be utilized to determine the appropriate local usage compensation to be paid.

- 7.4 **Percent Local Facility.** Each Party shall report to the other a Percent Local Facility ("PLF"). The application of the PLF will determine the portion of switched dedicated transport to be billed per the local jurisdiction rates. The PLF shall be applied to Multiplexing, Local Channel and Interoffice Channel Switched Dedicated Transport utilized in the provision of local interconnection trunks. Each Party shall update its PLF on the first of January, April, July and October of the year and shall send it to the other Party to be received no later than 30 calendar days after the first of each such month to be effective the first bill period the following month, respectively. Requirements associated with PLU and PLF calculation and reporting shall be as set forth in BellSouth's Jurisdictional Factors Reporting Guide, as it is amended from time to time.
- 7.5 **Percent Interstate Usage.** Each Party shall report to the other the projected Percent Interstate Usage ("PIU"). All jurisdictional report requirements, rules and regulations for Interexchange Carriers specified in BellSouth's Intrastate Access Services Tariff will apply to <<customer_name>>. After interstate and intrastate traffic percentages have been determined by use of PIU procedures, the PLU and PLF factors will be used for application and billing of local interconnection. Each Party shall update its PIUs on the first of January, April, July and October of the year and shall send it to the other Party to be received no later than 30 calendar days after the first of each such month, for all services showing the percentages of use (PIUs, PLU, and PLF) for the past three months ending the last day of December, March, June and September. Notwithstanding the foregoing, where the terminating Party has message recording technology that identifies the jurisdiction of traffic terminated as defined in this Agreement, such information, in lieu of the PIU and PLU factors, shall at the terminating Party's option be utilized to determine the appropriate local usage compensation to be paid.
- 7.6 **Audits.** On thirty (30) days written notice, each Party must provide the other the ability and opportunity to conduct an annual audit to ensure the proper billing of traffic. BellSouth and <<customer_name>> shall retain records of call detail for a minimum of nine months from which a PLU, PLF and/or PIU can be ascertained. The audit shall be accomplished during normal business hours at an office designated by the Party being audited. Audit requests shall not be submitted more frequently than one (1) time per calendar year. Audits shall be performed by a mutually acceptable independent auditor paid for by the Party requesting the audit. The PLU and/or PIU shall be adjusted based upon the audit results and shall apply to the usage for the quarter the audit was completed, to the usage for the quarter prior to the completion of the audit, and to the usage for the two quarters following the completion of the audit. If, as a result of an audit, either Party is found to have overstated the PLU and/or PIU by twenty percentage points

(20%) or more, that Party shall reimburse the auditing Party for the cost of the audit.

7.7 **Compensation for 8XX Traffic**

7.7.1 Compensation for 8XX Traffic. Each Party shall compensate the other pursuant to the appropriate switched access charges, including the database query charge as set forth in the BellSouth intrastate or interstate switched access tariffs.

7.7.2 Records for 8XX Billing. Each Party will provide to the other the appropriate records necessary for billing intraLATA 8XX customers. The records provided will be in a standard EMI format.

7.7.3 8XX Access Screening. BellSouth's provision of 8XX TFD to <<customer_name>> requires interconnection from <<customer_name>> to BellSouth 8XX SCP. Such interconnections shall be established pursuant to BellSouth's Common Channel Signaling Interconnection Guidelines and Bellcore's CCS Network Interface Specification document, TR-TSV-000905. <<customer_name>> shall establish CCS7 interconnection at the BellSouth Local Signal Transfer Points serving the BellSouth 8XX SCPs that <<customer_name>> desires to query. The terms and conditions for 8XX TFD are set out in BellSouth's Intrastate Access Services Tariff as amended.

7.8 **Mutual Provision of Switched Access Service**

7.8.1 Switched Access Traffic. Switched Access Traffic is described in the BellSouth Access Tariff. Additionally, any Public Switched Telephone Network interexchange telecommunications traffic, regardless of transport protocol method, where the originating and terminating points, end-to-end points, are in different LATAs, or are in the same LATA and the Parties' Switched Access services are used for the origination or termination of the call, shall be considered Switched Access Traffic. Irrespective of transport protocol method used, a call which originates in one LATA and terminates in another LATA (i.e., the end-to-end points of the call) or in which the Parties' Switched Access Services are used for the origination or termination of the call, shall not be compensated as local.

7.8.2 If the BellSouth end user chooses <<customer_name>> as their presubscribed interexchange carrier, or if the BellSouth end user uses <<customer_name>> as an interexchange carrier on a 101XXXX basis, BellSouth will charge <<customer_name>> the appropriate BellSouth tariff charges for originating switched access services

7.8.3 For originating or terminating switched access traffic on the other company's network, the originating Party will pay the terminating Party BellSouth's current intrastate or interstate, whichever is appropriate, switched access tariff rates as set forth in BellSouth's Intrastate or Interstate Access Services Tariff..

- 7.8.4 When <<customer_name>>'s end office switch, subtending the BellSouth Access Tandem switch for receipt or delivery of switched access traffic, provides an access service connection to or from an interexchange carrier ("IXC") by either a direct trunk group to the IXC utilizing BellSouth facilities, or via BellSouth's tandem switch, each Party will provide its own access services to the IXC and bill on a multi-bill, multi-tariff meet-point basis. Each Party will bill its own access services rates to the IXC with the exception of the interconnection charge. The interconnection charge will be billed by the Party providing the end office function. Each party will use the Multiple Exchange Carrier Access Billing (MECAB) guidelines to establish meet point billing for all applicable traffic. Thirty (30)-day billing periods will be employed for these arrangements. For tandem routed traffic, the tandem company agrees to provide to the Initial Billing Company as defined in MECAB, at no charge, all the switched access detail usage data, recorded at the access tandem, within no more than sixty (60) days after the recording date. The Initial Billing Company will provide the switched access summary usage data, for all originating and terminating traffic, to all Subsequent Billing Companies as defined in MECAB within 10 days of rendering the initial bill to the IXC. Each Party will notify the other when it is not feasible to meet these requirements so that the customers may be notified for any necessary revenue accrual associated with the significantly delayed recording or billing. As business requirements change data reporting requirements may be modified as necessary.
- 7.8.5 In the event that either Party fails to provide the appropriate MECAB switched access usage data to the other Party within 90 days after the recording date and the receiving Party is unable to bill and/or collect access revenues due to the sending Party's failure to provide such data within said time period, then the Party failing to send the data as specified herein shall be liable to the other Party in an amount equal to the unbillable or uncollectible revenues. Each company will provide complete documentation to the other to substantiate any claim of unbillable switched access revenues, and a negotiated settlement will be agreed upon between the Parties.
- 7.8.6 Each Party will retain for a minimum period of sixty (60) days, access message detail sufficient to recreate any data which is lost or damaged by their company or any third party involved in processing or transporting data.
- 7.8.7 Each Party agrees to recreate the lost or damaged data within forty-eight (48) hours of notification by the other or by an authorized third party handling the data.
- 7.8.8 Each Party also agrees to process the recreated data within forty-eight (48) hours of receipt at its data processing center.
- 7.8.9 All claims should be filed with the other Party within 120 days of the receipt of the date of the unbillable usage.

7.8.10 The Initial Billing Company shall keep records of its billing activities relating to jointly-provided Intrastate and Interstate access services in sufficient detail to permit the Subsequent Billing Party to, by formal or informal review or audit, to verify the accuracy and reasonableness of the jointly-provided access billing data provided by the Initial Billing Party. Each Party agrees to cooperate in such formal or informal reviews or audits and further agrees to jointly review the findings of such reviews or audits in order to resolve any differences concerning the findings thereof.

7.8.11 <<customer_name>> agrees not to deliver switched access traffic to BellSouth for termination except over <<customer_name>> ordered switched access trunks and facilities.

7.9 **Transit Traffic**

7.9.1 BellSouth shall provide tandem switching and transport services for <<customer_name>>'s Transit Traffic. Rates for local Transit Traffic shall be the applicable Call Transport and Termination charges as set forth in Exhibit A to this Attachment. Rates for Switched Access Transit Traffic shall be the applicable charges as set forth in BellSouth Interstate or Intrastate Switched Access tariffs. Switched Access Transit Traffic presumes that <<customer_name>>'s end office is subtending the BellSouth Access Tandem for switched access traffic to and from <<customer_name>>'s end users utilizing BellSouth facilities, either by direct trunks with the IXC, or via the BellSouth Access Tandem. Billing associated with all Transit Traffic shall be pursuant to MECAB guidelines. Pursuant to these guidelines, the Initial Billing Company shall provide summary usage data, for all originating and terminating Transit Traffic, to all Subsequent Billing Companies. Traffic between <<customer_name>> and Wireless Type 1 third parties shall not be treated as Transit Traffic from a routing or billing perspective. Traffic between <<customer_name>> and Wireless Type 2A or UNE-CLEC third parties shall not be treated as Transit Traffic from a routing or billing perspective until BellSouth and the Wireless carrier or UNE-CLEC third party have the capability to properly meet-point-bill in accordance with MECAB guidelines.

7.9.2 In the event that either Party fails to provide the appropriate MECAB usage data to the other Party within 90 days after the recording date and the receiving Party is unable to bill and/or collect Transit Traffic revenues due to the sending Party's failure to provide such data within said time period, then the Party failing to send the data as specified herein shall be liable to the other Party in an amount equal to the unbillable or uncollectible revenues. Each company will provide complete documentation to the other to substantiate any claim of unbillable revenues and a negotiated settlement will be agreed upon between the Parties

7.9.3 The delivery of traffic which transits the BellSouth network and is transported to another carrier's network is excluded from any BellSouth billing guarantees and

will be delivered at the rates stipulated in this Agreement to a terminating carrier. BellSouth agrees to deliver this traffic to the terminating carrier; provided, however, that <<customer_name>> is solely responsible for negotiating and executing any appropriate contractual agreements with the terminating carrier for the receipt of this traffic through the BellSouth network. BellSouth will not be liable for any compensation to the terminating carrier or to <<customer_name>>. <<customer_name>> agrees to compensate BellSouth for any charges or costs for the delivery of Transit Traffic to a connecting carrier on behalf of <<customer_name>>. Additionally, the Parties agree that any billing to a third party or other telecommunications carrier under this section shall be pursuant to MECAB procedures.

8. FRAME RELAY SERVICE INTERCONNECTION

- 8.1 In addition to the Local Interconnection services set forth above, BellSouth will offer a network to network Interconnection arrangement between BellSouth's and <<customer_name>>'s frame relay switches as set forth below. The following provisions will apply only to Frame Relay Service and Exchange Access Frame Relay Service in those states in which <<customer_name>> is certified and providing Frame Relay Service as a Local Exchange Carrier and where traffic is being exchanged between <<customer_name>> and BellSouth Frame Relay Switches in the same LATA.
- 8.2 The Parties agree to establish two-way Frame Relay facilities between their respective Frame Relay Switches to the mutually agreed upon Frame Relay Service point(s) of interconnection ("IP(s)") within the LATA. All IPs shall be within the same Frame Relay Network Serving Areas as defined in Section A40 of BellSouth's General Subscriber Service Tariff except as set forth in this Attachment.
- 8.3 Upon the request of either Party, such interconnection will be established where BellSouth and <<customer_name>> have Frame Relay Switches in the same LATA. Where there are multiple Frame Relay switches in one central office, an interconnection with any one of the switches will be considered an interconnection with all of the switches at that central office for purposes of routing packet traffic.
- 8.4 The Parties agree to provision local and intraLATA Frame Relay Service and Exchange Access Frame Relay Service (both intrastate and interstate) over Frame Relay interconnection facilities between the respective Frame Relay switches and the IPs.
- 8.5 The Parties agree to assess each other reciprocal charges for the facilities that each provides to the other according to the Percent Local Circuit Use Factor (PLCU), determined as follows:

- 8.5.1 If the data packets originate and terminate in locations in the same LATA, and consistent with the local definitions of the Agreement, the traffic is considered local. Frame Relay framed packet data is transported within Virtual Circuits (VC). For the purposes of this Agreement, if all the data packets transported within a VC remain within the LATA, then consistent with the local definitions in this Agreement, the traffic on that VC is local (“Local VC”).
- 8.5.2 If the originating and terminating locations of the two-way packet data traffic are not in the same LATA, the traffic on that VC is interLATA (“InterLATA VC”).
- 8.5.3 The PLCU is determined by dividing the total number of Local VCs, by the total number of VCs on each Frame Relay facility. To facilitate implementation, <<customer_name>> may determine its PLCU in aggregate, by dividing the total number of Local VCs in a given LATA by the total number VCs in that LATA. The Parties agree to renegotiate the method for determining PLCU, at BellSouth’s request, and within 90 days, if BellSouth notifies <<customer_name>> that it has found that this method does not adequately represent the PLCU.
- 8.5.4 If there are no VCs on a facility when it is billed, the PLCU will be zero.
- 8.5.5 BellSouth will provide the circuit between the Parties’ respective Frame Relay Switches. The Parties will be compensated as follows: BellSouth will invoice, and <<customer_name>> will pay, the total non-recurring and recurring charges for the circuit based upon the rates set forth in BellSouth’s Interstate Access Tariff, FCC No. 1. <<customer_name>> will then invoice, and BellSouth will pay, an amount calculated by multiplying the BellSouth billed charges for the circuit by one-half of <<customer_name>>’s PLCU.
- 8.6 The Parties agree to compensate each other for Frame Relay network-to-network interface (NNI) ports based upon the NNI rates set forth in BellSouth’s Interstate Access Tariff, FCC No. 1. Compensation for each pair of NNI ports will be calculated as follows: BellSouth will invoice, and <<customer_name>> will pay, the total non-recurring and recurring charges for the NNI port. <<customer_name>> will then invoice, and BellSouth will pay, an amount calculated by multiplying the BellSouth billed non-recurring and recurring charges for the NNI port by <<customer_name>>’s PLCU.
- 8.7 Each Party agrees that there will be no charges to the other Party for its own subscriber’s Permanent Virtual Circuit (PVC) rate elements for the local PVC segment from its Frame Relay switch to its own subscriber’s premises. PVC rate elements include the Data Link Connection Identifier (DLCI) and Committed Information Rate (CIR).
- 8.8 For the PVC segment between the <<customer_name>> and BellSouth Frame Relay switches, compensation for the PVC charges is based upon the rates in BellSouth’s Interstate Access Tariff, FCC No. 1.

- 8.9 Compensation for PVC rate elements will be calculated as follows:
- 8.9.1 If <<customer_name>> orders a VC connection between a BellSouth subscriber's PVC segment and a PVC segment from the BellSouth Frame Relay switch to the <<customer_name>> Frame Relay switch, BellSouth will invoice, and <<customer_name>> will pay, the total non-recurring and recurring PVC charges for the PVC segment between the BellSouth and <<customer_name>> Frame Relay switches. If the VC is a Local VC, <<customer_name>> will then invoice and BellSouth will pay, the total nonrecurring and recurring PVC charges billed for that segment. If the VC is not local, no compensation will be paid to <<customer_name>> for the PVC segment.
- 8.9.2 If BellSouth orders a Local VC connection between a <<customer_name>> subscriber's PVC segment and a PVC segment from the <<customer_name>> Frame Relay switch to the BellSouth Frame Relay switch, BellSouth will invoice, and <<customer_name>> will pay, the total non-recurring and recurring PVC and CIR charges for the PVC segment between the BellSouth and <<customer_name>> Frame Relay switches. If the VC is a Local VC, <<customer_name>> will then invoice and BellSouth will pay the total non-recurring and recurring PVC and CIR charges billed for that segment. If the VC is not local, no compensation will be paid to <<customer_name>> for the PVC segment.
- 8.9.3 The Parties agree to compensate each other for requests to change a PVC segment or PVC service order record, according to the Feature Change charge as set forth in the BellSouth access tariff BellSouth Tariff FCC No. 1.
- 8.9.4 If <<customer_name>> requests a change, BellSouth will invoice and <<customer_name>> will pay a Feature Change charge for each affected PVC segment.
- 8.9.4.1 If BellSouth requests a change to a Local VC, <<customer_name>> will invoice and BellSouth will pay a Feature Change charge for each affected PVC segment.
- 8.9.5 The Parties agree to limit the sum of the CIR for the VCs on a DS1 NNI port to not more than three times the port speed, or not more than six times the port speed on a DS3 NNI port.
- 8.9.6 Except as expressly provided herein, this Agreement does not address or alter in any way either Party's provision of Exchange Access Frame Relay Service or interLATA Frame Relay Service. All charges by each Party to the other for carriage of Exchange Access Frame Relay Service or interLATA Frame Relay Service are included in the BellSouth access tariff BellSouth Tariff FCC No. 1.
- 8.10 <<customer_name>> will identify and report quarterly to BellSouth the PLCU of the Frame Relay facilities it uses, per section 6.5.3 above.

- 8.11 Either Party may request a review or audit of the various service components, consistent with the provisions of section E2 of the BellSouth State Access Services tariffs or Section 2 of the BellSouth FCC No.1 Tariff.
- 8.12 If during the term of this Agreement, BellSouth obtains authority to provide interLATA Frame Relay in any State, the Parties agree to renegotiate this arrangement for the exchange of Frame Relay Service Traffic within one hundred eighty (180) days of the date BellSouth receives interLATA authority. In the event the Parties fail to renegotiate this Section 6 within the one hundred eighty day period, they will submit this matter to the appropriate State commission(s) for resolution.

9. OPERATIONAL SUPPORT SYSTEMS (OSS)

- 9.1 The terms, conditions and rates for OSS are as set forth in FCC Tariff No., for Access Service Records.

Exhibit B

Basic Architecture

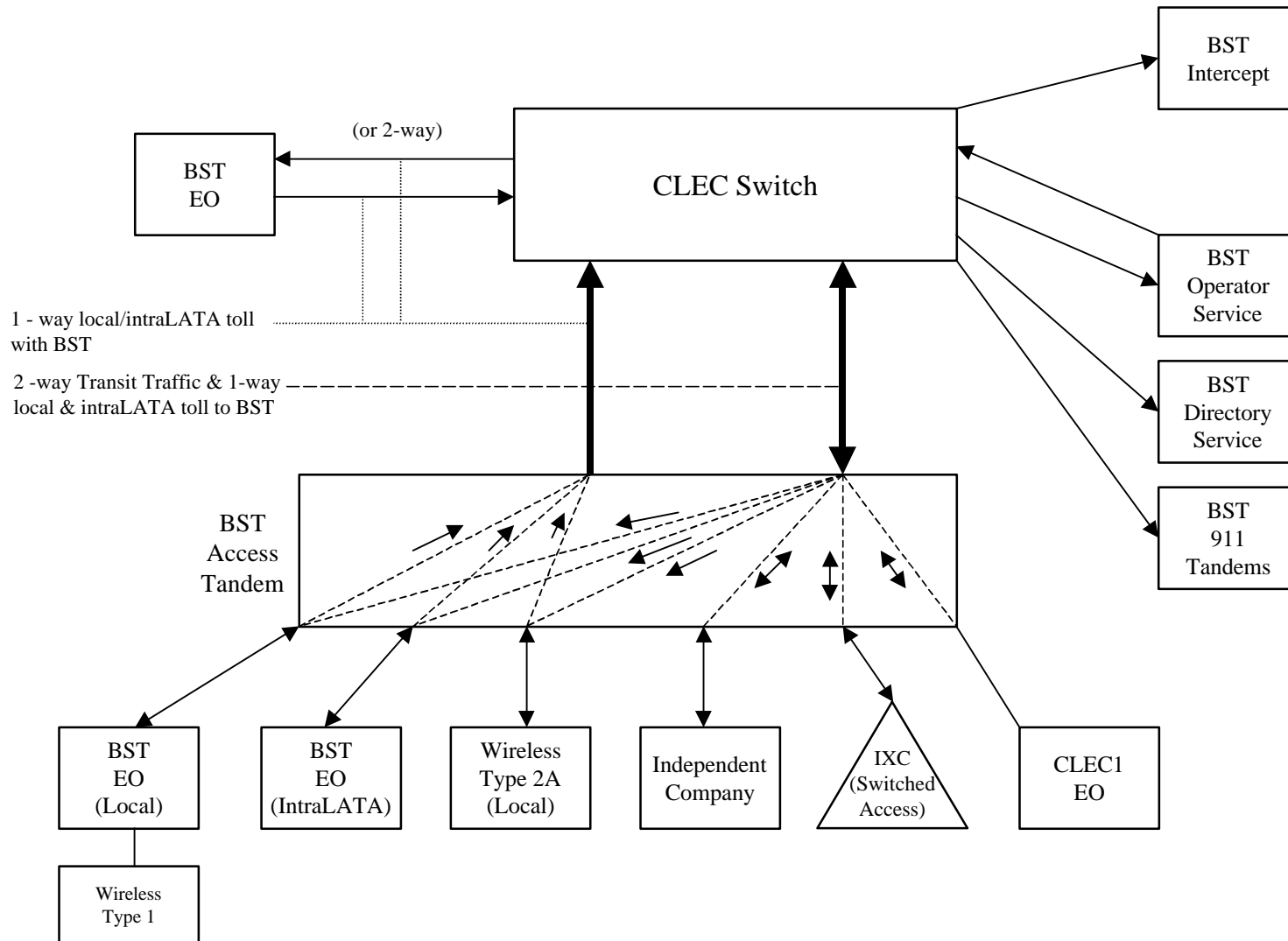


Exhibit C

One-Way Architecture

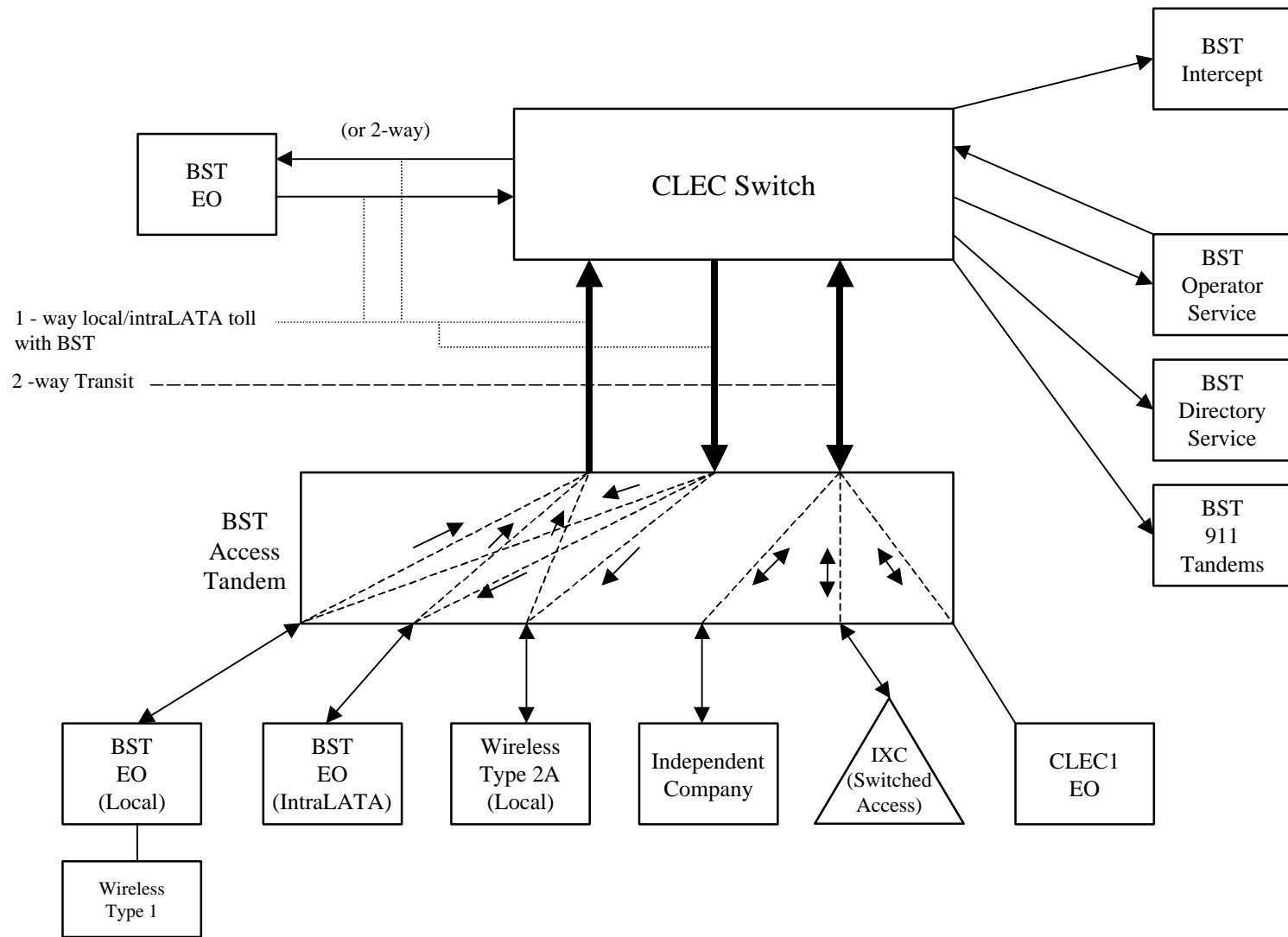
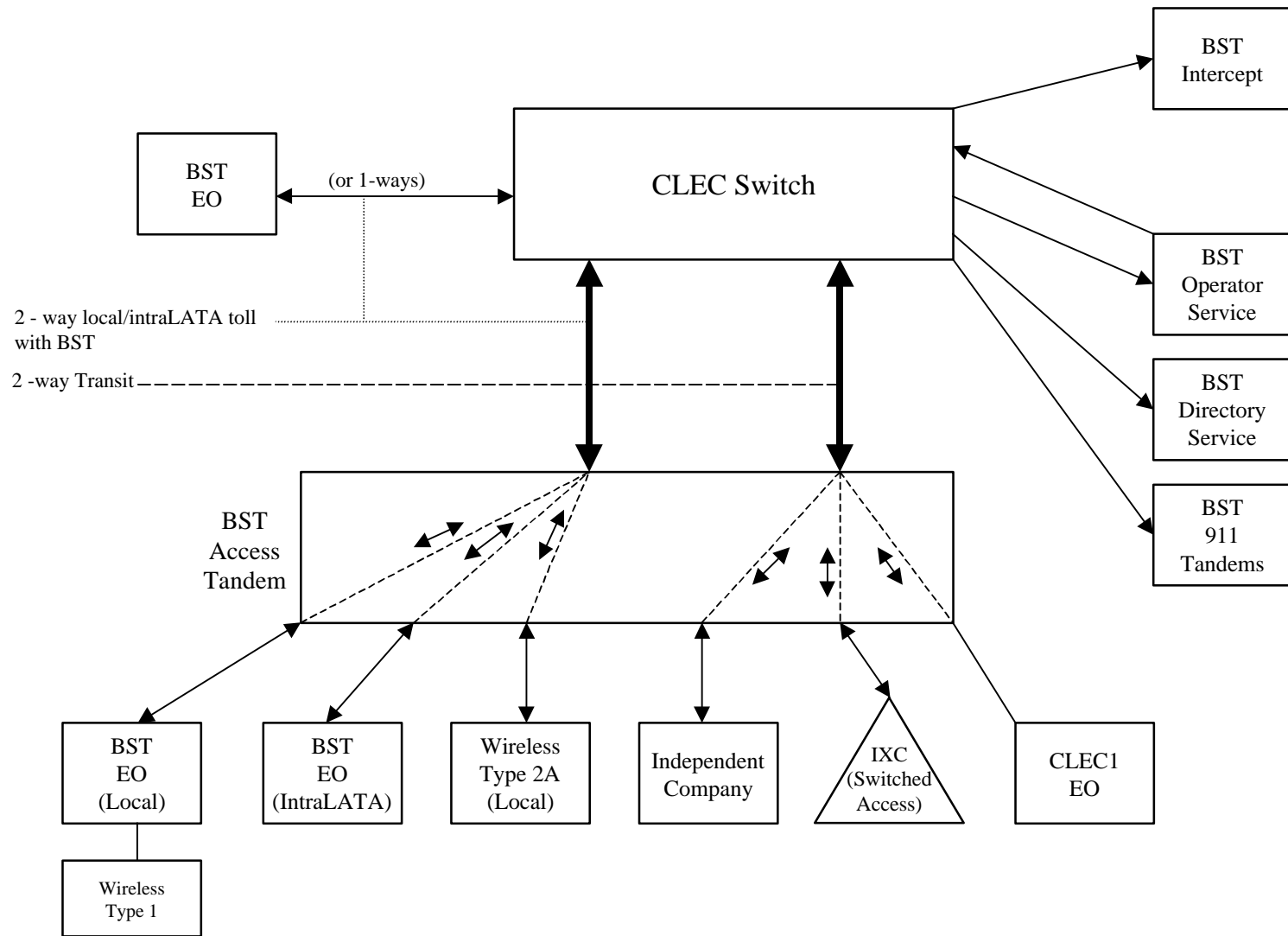
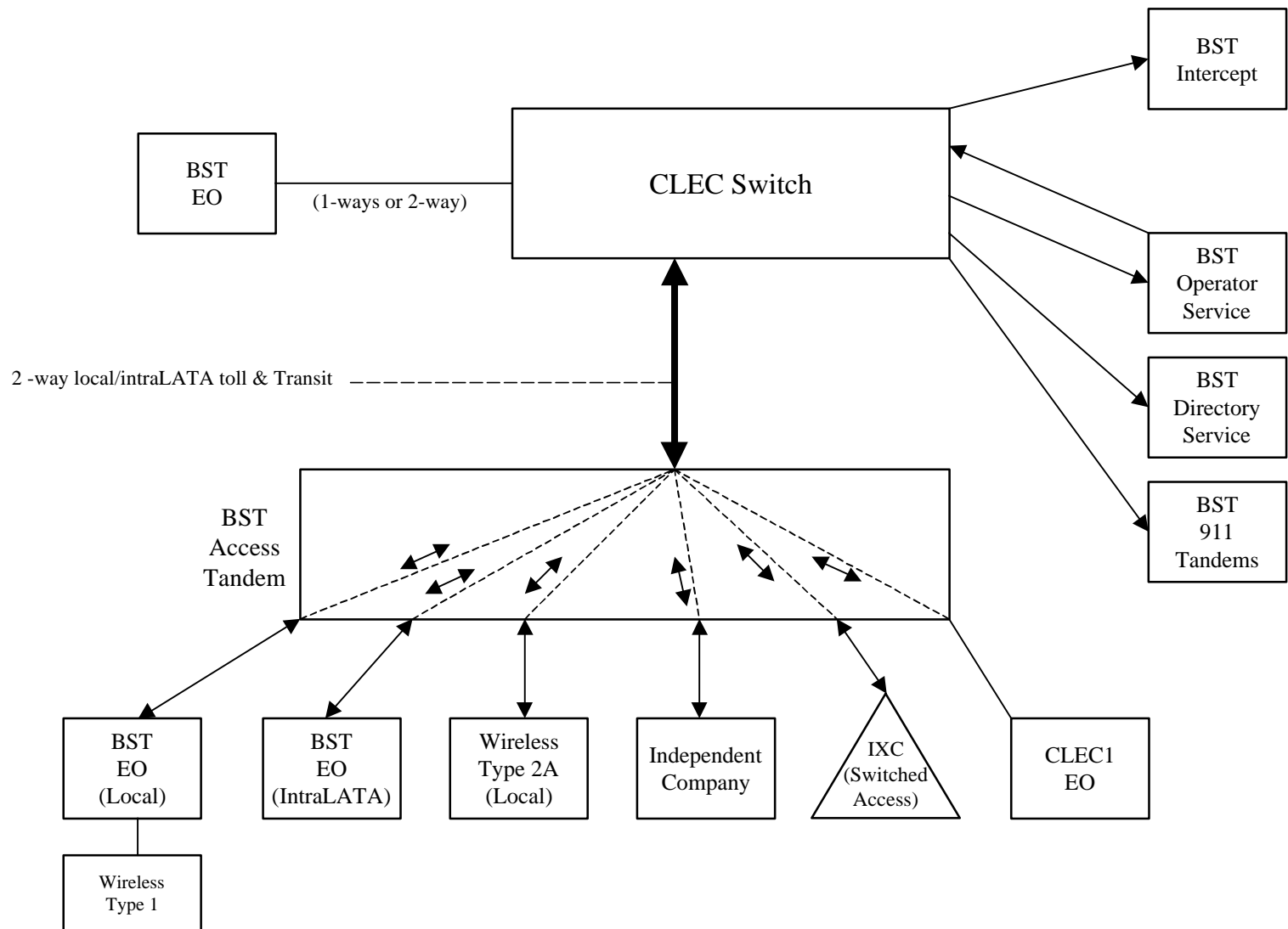


Exhibit D

Two-Way Architecture



Supergroup Architecture



BELLSOUTH / METROMEDIA FIBER NETWORK SERVICES RATES
LOCAL INTERCONNECTION
 Alabama

CATEGORY	NOTES	LOCAL INTERCONNECTION	Interim	Zone	BCS	USOC	Rec	RATES				OSS RATES					
								Nonrecurring		Nonrecurring		Svc Order Submitted Elec per LSR	Svc Order Submitted Manually per LSR	Incremental Charge - Manual Svc Order vs. Electronic-1st	Incremental Charge - Manual Svc Order vs. Electronic-Add'l	Incremental Charge - Manual Svc Order vs. Electronic-Disc 1st	Incremental Charge - Manual Svc Order vs. Electronic-Disc Add'l
								First	Add'l	First	Add'l						
								SOMECD	SOMAN	SOMAN	SOMAN	SOMAN	SOMAN				
LOCAL INTERCONNECTION (CALL TRANSPORT AND TERMINATION)																	
	END OFFICE SWITCHING																
	End Office Switching Function, Per MOU				OHD		\$0.0009900										
	TANDEM SWITCHING																
	Tandem Switching Function Per MOU				OHD		\$0.0005692										
	Multiple Tandem Switching, per MOU (applies to initial tandem only)				OHD		\$0.0005692										
	Tandem Intermediary Charge, per MOU*				OHD		\$0.0015										
	* This charge is applicable only to transit traffic and is applied in addition to applicable switching and/or interconnection charges.																
	TRUNK CHARGE																
	Installation Trunk Side Service - per DS0				OHD	TPP++		\$333.69	\$56.91								
	Dedicated End Office Trunk Port Service-per DS0**				OHD	TDE0P	\$0.00										
	Dedicated End Office Trunk Port Service-per DS1**				OH1	TDE1P	\$0.00										
	Dedicated Tandem Trunk Port Service-per DS0**				OHD	TDW0P	\$0.00										
	Dedicated Tandem Trunk Port Service-per DS1**				OH1MS	TDW1P	\$0.00										
	** This rate element is recovered on a per MOU basis and is included in the End Office Switching and Tandem Switching, per MOU rate elements																
LOCAL INTERCONNECTION (TRANSPORT)																	
	COMMON TRANSPORT (Shared)																
	Common Transport - Per Mile, Per MOU				OHD		\$0.0000026										
	Common Transport - Facilities Termination Per MOU				OHD		\$0.0003685										
	INTEROFFICE CHANNEL - DEDICATED TRANSPORT - VOICE GRADE																
	Interoffice Channel - Dedicated Transport - 2-Wire Voice Grade - Per Mile per month				OHL OH1MS	1L5NF	\$0.0101										
	Interoffice Channel - Dedicated Transport - 2 - Wire Voice Grade - Facility Termination per month				OHL OH1MS	1L5NF	\$24.15	\$81.07	\$54.62	\$33.47	\$13.79						
	INTEROFFICE CHANNEL - DEDICATED TRANSPORT - 56/64 KBPS																
	Interoffice Channel - Dedicated Transport - 56 kbps - per mile per month				OHM OH1MS	1L5NK	\$0.0101										
	Interoffice Channel - Dedicated Transport - 56 kbps - Facility Termination per month				OHM OH1MS	1L5NK	\$17.28	\$114.54									
	Interoffice Channel - Dedicated Transport - 64 kbps - per mile per month				OHM OH1MS	1L5NK	\$0.0101										
	Interoffice Channel - Dedicated Transport - 64 kbps - Facility Termination per month				OHM OH1MS	1L5NK	\$17.28	\$114.54	\$0.00	\$0.00	\$0.00						
	INTEROFFICE CHANNEL - DEDICATED TRANSPORT - DS1																
	Interoffice Channel - Dedicated Channel - DS1 - Per Mile per month				OH1 OH1MS	1L5NL	\$0.2067										
	Interoffice Channel - Dedicated Tranport - DS1 - Facility Termination per month				OH1 OH1MS	1L5NL	\$68.75	\$211.32									
	INTEROFFICE CHANNEL - DEDICATED TRANSPORT- DS3																
	Interoffice Channel - Dedicated Transport - DS3 - Per Mile per month				OH3 OH3MS	1L5NM	\$4.67										
	Interoffice Channel - Dedicated Transport - DS3 - Facility Termination per month				OH3 OH3MS	1L5NM	\$804.02	\$677.87									
	LOCAL CHANNEL - DEDICATED TRANSPORT																
	Local Channel - Dedicated - 2-Wire Voice Grade per month				OHL	TEFV2	\$15.9	\$459.47									
	Local Channel - Dedicated - 4-Wire Voice Grade per month				OHL	TEFV4	\$17.06	\$461.28									
	Local Channel - Dedicated - DS1 per month				OH1	TEFHG	\$41.52	\$399.32									
	Local Channel - Dedicated - DS3 Facility Termination per month(assumes 1 mile)				OH3	TEFHJ	\$487.97	\$1,041.9									

BELLSOUTH / METROMEDIA FIBER NETWORK SERVICES RATES
LOCAL INTERCONNECTION
 Alabama

CATEGORY	NOTES	LOCAL INTERCONNECTION	Interim	Zone	BCS	USOC	RATES				OSS RATES								
							Rec	Nonrecurring		Nonrecurring Disconnect		Svc Order Submitted Elec per LSR	Svc Order Submitted Manually per LSR	Incremental Charge - Manual Svc Order vs. Electronic-1st	Incremental Charge - Manual Svc Order vs. Electronic-Add'l	Incremental Charge - Manual Svc Order vs. Electronic-Disc 1st	Incremental Charge - Manual Svc Order vs. Electronic-Disc Add'l		
								First	Add'l	First	Add'l								
								SOME	SOMAN	SOMAN	SOMAN							SOMAN	SOMAN
		LOCAL INTERCONNECTION MID-SPAN MEET																	
		NOTE: If Access service ride Mid-Span Meet, one-half the tariffed service Local Channel rate is applicable.																	
		Local Channel - Dedicated - DS1 per month			OH1MS	TEFHG	\$0.00	\$0.00	\$0.00										
		Local Channel - Dedicated - DS3 per month			OH3MS	TEFHJ	\$0.00	\$0.00	\$0.00										
		MULTIPLEXERS																	
		Channelization - DS1 to DS0 Channel System			OH1 OH1MS	SATN1	\$122.5	\$182.08	\$125.14	\$21.07	\$19.56								
		DS3 to DS1 Channel System per month			OH3 OH3MS	SATNS	\$201.37	\$356.28	\$187.94	\$66.51	\$63.65								
		DS3 Interface Unit (DS1 COCI) per month			OH1 OH1MS	SATCO	\$15.39	\$13.15	\$9.43										
		Notes: If no rate is identified in the contract, the rate for the specific service or function will be as set forth in applicable BellSouth tariff or as negotiated by the Parties upon request by either Party.																	

**BELLSOUTH / METROMEDIA FIBER NETWORK SERVICES RATES
LOCAL INTERCONNECTION
Florida**

CATEGORY	NOTES	LOCAL INTERCONNECTION	Interim	Zone	BCS	USOC	RATES				OSS RATES						
							Rec	Nonrecurring		Nonrecurring		Svc Order Submitted Elec per LSR	Svc Order Submitted Manually per LSR	Incremental Charge - Manual Svc Order vs. Electronic-1st	Incremental Charge - Manual Svc Order vs. Electronic-Add'l	Incremental Charge - Manual Svc Order vs. Electronic-Disc 1st	Incremental Charge - Manual Svc Order vs. Electronic-Disc Add'l
								Disconnect		Disconnect							
								First	Add'l	First	Add'l						
											SOMEK	SOMAN	SOMAN	SOMAN	SOMAN	SOMAN	
LOCAL INTERCONNECTION (CALL TRANSPORT AND TERMINATION)																	
		END OFFICE SWITCHING															
		End Office Switching Function, Per MOU			OHD		\$0.0010739										
		TANDEM SWITCHING															
		Tandem Switching Function Per MOU			OHD		\$0.0006948										
		Multiple Tandem Switching, per MOU (applies to initial tandem only)			OHD		\$0.0006948										
		TRUNK CHARGE															
		Installation Trunk Side Service - per DS0			OHD	TPP++		\$336.43	\$57.38								
		Dedicated End Office Trunk Port Service-per DS0**			OHD	TDE0P	\$0.00										
		Dedicated End Office Trunk Port Service-per DS1**			OH1	TDE1P	\$0.00										
		Dedicated Tandem Trunk Port Service-per DS0**			OHD	TDW0P	\$0.00										
		Dedicated Tandem Trunk Port Service-per DS1**			OH1MS	TDW1P	\$0.00										
		** This rate element is recovered on a per MOU basis and is included in the End Office Switching and Tandem Switching, per MOU rate elements															
LOCAL INTERCONNECTION (TRANSPORT)																	
		COMMON TRANSPORT (Shared)															
		Common Transport - Per Mile, Per MOU			OHD		\$0.000004										
		Common Transport - Facilities Termination Per MOU			OHD		\$0.0005										
		INTEROFFICE CHANNEL - DEDICATED TRANSPORT - VOICE GRADE															
		Interoffice Channel - Dedicated Transport - 2-Wire Voice Grade - Per Mile per month			OHL OH1M	1L5NF											
		Interoffice Channel - Dedicated Transport - 2-Wire Voice Grade - Facility Termination per month			OHL OH1M	1L5NF	\$26.52	\$81.09	\$54.83	\$31.01	\$12.78						
		INTEROFFICE CHANNEL - DEDICATED TRANSPORT - 56/64 KBPS															
		Interoffice Channel - Dedicated Transport - 56 kbps - per mile per month			OHM OH1M	1L5NK	\$0.0098										
		Interoffice Channel - Dedicated Transport - 56 kbps - Facility Termination per month			OHM OH1M	1L5NK	\$19.31	\$112.12									
		Interoffice Channel - Dedicated Transport - 64 kbps - per mile per month			OHM OH1M	1L5NK	\$0.0098										
		Interoffice Channel - Dedicated Transport - 64 kbps - Facility Termination per month			OHM OH1M	1L5NK	\$19.31	\$112.12									
		INTEROFFICE CHANNEL - DEDICATED TRANSPORT - DS1															
		Interoffice Channel - Dedicated Channel - DS1 - Per Mile per month			OH1 OH1M	1L5NL	\$0.2										
		Interoffice Channel - Dedicated Transport - DS1 - Facility Termination per month			OH1 OH1M	1L5NL	\$92.62	\$208.89									
		INTEROFFICE CHANNEL - DEDICATED TRANSPORT- DS3															
		Interoffice Channel - Dedicated Transport - DS3 - Per Mile per month			OH3 OH3M	1L5NM	\$4.17										
		Interoffice Channel - Dedicated Transport - DS3 - Facility Termination per month			OH3 OH3M	1L5NM	\$1,121.93	\$669.25									

**BELLSOUTH / METROMEDIA FIBER NETWORK SERVICES RATES
LOCAL INTERCONNECTION
Florida**

CATEGORY	NOTES	LOCAL INTERCONNECTION	Interim	Zone	BCS	USOC	Rec	RATES				OSS RATES						
								Nonrecurring		Nonrecurring Disconnect		Svc Order Submitted Elec per LSR	Svc Order Submitted Manually per LSR	Incremental Charge - Manual Svc Order vs. Electronic-1st	Incremental Charge - Manual Svc Order vs. Electronic-Add'l	Incremental Charge - Manual Svc Order vs. Electronic-Disc 1st	Incremental Charge - Manual Svc Order vs. Electronic-Disc Add'l	
								First	Add'l	First	Add'l							
								SOME	SOMAN	SOMAN	SOMAN	SOMAN	SOMAN					
		LOCAL CHANNEL - DEDICATED TRANSPORT																
		Local Channel - Dedicated - 2-Wire Voice Grade per month			OHL	TEFV2	\$29.33	\$454.27										
		Local Channel - Dedicated - 4-Wire Voice Grade per month			OHL	TEFV4	\$30.5	\$455.99										
		Local Channel - Dedicated - DS1 per month			OH1	TEFHG	\$30.5	\$396.21										
		Local Channel - Dedicated - DS3 Facility Termination per month(assumes 1 mile)			OH3	TEFHJ	\$568.2	\$1,124.83										
		LOCAL INTERCONNECTION MID-SPAN MEET																
		NOTE: If Access service ride Mid-Span Meet, one-half the tariffed service Local Channel rate is applicable.																
		Local Channel - Dedicated - DS1 per month			OH1MS	TEFHG	\$0.00	\$0.00	\$0.00									
		Local Channel - Dedicated - DS3 per month			OH3MS	TEFHJ	\$0.00	\$0.00	\$0.00									
		MULTIPLEXERS																
		Channelization - DS1 to DS0 Channel System			OH1 OH1M	SATN1	\$153.6	\$182.14	\$125.18	\$19.52	\$18.14							
		DS3 to DS1 Channel System per month			OH3 OH3MS	SATNS	\$220.97	\$356.4	\$188.000	\$61.61	\$58.98							
		DS3 Interface Unit (DS1 COCI) per month			OH1 OH1MS	SATCO	\$14.40	\$13.16	\$9.43									
		Notes: If no rate is identified in the contract, the rate for the specific service or function will be as set forth in applicable BellSouth tariff or as negotiated by the Parties upon request by either Party.																

BELLSOUTH / METROMEDIA FIBER NETWORK SERVICES RATES
LOCAL INTERCONNECTION
 Georgia

Attachment 3
 Exhibit A
 Rates - Page 5

CATEGORY	NOTES	LOCAL INTERCONNECTION	Interim	Zone	BCS	USOC	RATES				OSS RATES							
							Rec	Nonrecurring		Nonrecurring		Svc Order Submitted Elec per LSR	Svc Order Submitted Manually per LSR	Incremental Charge - Manual Svc Order vs. Electronic-1st	Incremental Charge - Manual Svc Order vs. Electronic-Add'l	Incremental Charge - Manual Svc Order vs. Electronic-Disc 1st	Incremental Charge - Manual Svc Order vs. Electronic-Disc Add'l	
								Disconnect		Disconnect								
								First	Add'l	First	Add'l							
											SOMEK	SOMAN	SOMAN	SOMAN	SOMAN			
LOCAL INTERCONNECTION (CALL TRANSPORT AND TERMINATION)																		
		END OFFICE SWITCHING																
		End Office Switching Function, Per MOU				OHD		\$0.0017897										
		TANDEM SWITCHING																
		Tandem Switching Function Per MOU				OHD		\$0.0011009										
		Multiple Tandem Switching, per MOU (applies to initial tandem only)				OHD		\$0.0011009										
		TRUNK CHARGE																
		Installation Trunk Side Service - per DS0				OHD	TPP++		\$333.28	\$56.84								
		Dedicated End Office Trunk Port Service-per DS0**				OHD	TDE0P	\$0.00										
		Dedicated End Office Trunk Port Service-per DS1**				OH1	TDE1P	\$0.00										
		Dedicated Tandem Trunk Port Service-per DS0**				OHD	TDW0P	\$0.00										
		Dedicated Tandem Trunk Port Service-per DS1**				OH1MS	TDW1P	\$0.00										
		** This rate element is recovered on a per MOU basis and is included in the End Office Switching and Tandem Switching, per MOU rate elements																
LOCAL INTERCONNECTION (TRANSPORT)																		
		COMMON TRANSPORT (Shared)																
		Common Transport - Per Mile, Per MOU				OHD		\$0.000008										
		Common Transport - Facilities Termination Per MOU				OHD		\$0.0004152										
		INTEROFFICE CHANNEL - DEDICATED TRANSPORT - VOICE GRADE																
		Interoffice Channel - Dedicated Transport - 2-Wire Voice Grade - Per Mile per month				OHL OH1M	1L5NF	\$0.0222										
		Interoffice Channel - Dedicated Transport - 2-Wire Voice Grade - Facility Termination per month				OHL OH1M	1L5NF	\$17.07	\$79.61	\$36.08								
		INTEROFFICE CHANNEL - DEDICATED TRANSPORT - 56/64 KBPS																
		Interoffice Channel - Dedicated Transport - 56 kbps - per mile per month				OHM OH1M	1L5NK	\$0.0222										
		Interoffice Channel - Dedicated Transport - 56 kbps - Facility Termination per month				OHM OH1M	1L5NK	\$16.45	\$79.61									
		Interoffice Channel - Dedicated Transport - 64 kbps - per mile per month				OHM OH1M	1L5NK	\$0.0222										
		Interoffice Channel - Dedicated Transport - 64 kbps - Facility Termination per month				OHM OH1M	1L5NK	\$16.45	\$79.61									
		INTEROFFICE CHANNEL - DEDICATED TRANSPORT - DS1																
		Interoffice Channel - Dedicated Channel - DS1 - Per Mile per month				OH1 OH1M	1L5NL	\$0.4523										
		Interoffice Channel - Dedicated Transport - DS1 - Facility Termination per month				OH1 OH1M	1L5NL	\$78.47	\$147.07									
		INTEROFFICE CHANNEL - DEDICATED TRANSPORT- DS3																
		Interoffice Channel - Dedicated Transport - DS3 - Per Mile per month				OH3 OH3M	1L5NM	\$2.72										
		Interoffice Channel - Dedicated Transport - DS3 - Facility Termination per month				OH3 OH3M	1L5NM	\$788.00	\$633.41									

**BELLSOUTH / METROMEDIA FIBER NETWORK SERVICES RATES
LOCAL INTERCONNECTION
Georgia**

CATEGORY	NOTES	LOCAL INTERCONNECTION	Interim	Zone	BCS	USOC	Rec	RATES				OSS RATES							
								Nonrecurring		Nonrecurring Disconnect		Svc Order Submitted Elec per LSR	Svc Order Submitted Manually per LSR	Incremental Charge - Manual Svc Order vs. Electronic-1st	Incremental Charge - Manual Svc Order vs. Electronic-Add'l	Incremental Charge - Manual Svc Order vs. Electronic-Disc 1st	Incremental Charge - Manual Svc Order vs. Electronic-Disc Add'l		
								First	Add'l	First	Add'l								
								SOME	SOMAN	SOMAN	SOMAN	SOMAN	SOMAN						
		LOCAL CHANNEL - DEDICATED TRANSPORT																	
		Local Channel - Dedicated - 2-Wire Voice Grade per month			OHL	TEFV2	\$13.91	\$62.4											
		Local Channel - Dedicated - 4-Wire Voice Grade per month			OHL	TEFV4	\$14.99	\$368.44											
		Local Channel - Dedicated - DS1 per month			OH1	TEFHG	\$38.36	\$478.46											
		Local Channel - Dedicated - DS3 Facility Termination per month(assumes 1 mile)			OH3	TEFHJ	\$527.84	\$661.81											
		LOCAL INTERCONNECTION MID-SPAN MEET																	
		NOTE: If Access service ride Mid-Span Meet, one-half the tariffed service Local Channel rate is applicable.																	
		Local Channel - Dedicated - DS1 per month			OH1MS	TEFHG	\$0.00	\$0.00	\$0.00										
		Local Channel - Dedicated - DS3 per month			OH3MS	TEFHJ	\$0.00	\$0.00	\$0.00										
		MULTIPLEXERS																	
		Channelization - DS1 to DS0 Channel System			OH1 OH1M	SATN1	\$126.22	\$198.22	\$123.59	\$31.03	\$19.75								
		DS3 to DS1 Channel System per month			OH3 OH3MS	SATNS	\$182.04	\$265.91	\$188.78	\$72.5	\$59.96								
		DS3 Interface Unit (DS1 COCI) per month			OH1 OH1MS	SATCO	\$11.02	\$12.02	\$8.66										
		Notes: If no rate is identified in the contract, the rate for the specific service or function will be as set forth in applicable BellSouth tariff or as negotiated by the Parties upon request by either Party.																	

**BELLSOUTH / METROMEDIA FIBER NETWORK SERVICES RATES
LOCAL INTERCONNECTION
Kentucky**

CATEGORY	NOTES	LOCAL INTERCONNECTION	Interim	Zone	BCS	USOC	Rec	RATES				OSS RATES				
								Nonrecurring		Nonrecurring Disconnect		Svc Order Submitted Elec per LSR	Svc Order Submitted Manually per LSR	Incremental Charge - Manual Svc Order vs. Electronic-1st	Incremental Charge - Manual Svc Order vs. Electronic-Add'l	Incremental Charge - Manual Svc Order vs. Electronic-Disc 1st
								First	Add'l	First	Add'l					
LOCAL INTERCONNECTION (CALL TRANSPORT AND TERMINATION)																
		END OFFICE SWITCHING														
		End Office Switching Function, Per MOU			OHD		\$0.0015711									
		TANDEM SWITCHING														
		Tandem Switching Function Per MOU			OHD		\$0.0007555									
		Multiple Tandem Switching, per MOU (applies to initial tandem only)			OHD		\$0.0007555									
		Tandem Intermediary Charge, per MOU*			OHD		\$0.001096									
		* This charge is applicable only to transit traffic and is applied in addition to applicable switching and/or interconnection charges.														
		TRUNK CHARGE														
		Installation Trunk Side Service - per DS0			OHD	TPP++		\$334.09	\$57.12							
		Dedicated End Office Trunk Port Service-per DS0**			OHD	TDE0P	\$0.00									
		Dedicated End Office Trunk Port Service-per DS1**			OH1	TDE1P	\$0.00									
		Dedicated Tandem Trunk Port Service-per DS0**			OHD	TDW0P	\$0.00									
		Dedicated Tandem Trunk Port Service-per DS1**			OH1MS	TDW1P	\$0.00									
		** This rate element is recovered on a per MOU basis and is included in the End Office Switching and Tandem Switching, per MOU rate elements														
LOCAL INTERCONNECTION (TRANSPORT)																
		COMMON TRANSPORT (Shared)														
		Common Transport - Per Mile, Per MOU			OHD		\$0.0000031									
		Common Transport - Facilities Termination Per MOU			OHD		\$0.000757									
		INTEROFFICE CHANNEL - DEDICATED TRANSPORT - VOICE GRADE														
		Interoffice Channel - Dedicated Transport - 2-Wire Voice Grade - Per Mile per month			OHL OH1M	1L5NF	\$0.0118									
		Interoffice Channel - Dedicated Transport- 2- Wire Voice Grade - Facility Termination per month			OHL OH1M	1L5NF	\$27.66	\$142.31	\$56.21							
		INTEROFFICE CHANNEL - DEDICATED TRANSPORT - 56/64 KBPS														
		Interoffice Channel - Dedicated Transport - 56 kbps - per mile per month			OHM OH1M	1L5NK	\$0.0118									
		Interoffice Channel - Dedicated Transport - 56 kbps - Facility Termination per month			OHM OH1M	1L5NK	\$29.51	\$114.36								
		Interoffice Channel - Dedicated Transport - 64 kbps - per mile per month			OHM OH1M	1L5NK	\$0.0118									
		Interoffice Channel - Dedicated Transport - 64 kbps - Facility Termination per month			OHM OH1M	1L5NK	\$29.51	\$114.4	\$0.00	\$0.00	\$0.00					
		INTEROFFICE CHANNEL - DEDICATED TRANSPORT - DS1														
		Interoffice Channel - Dedicated Channel - DS1 - Per Mile per month			OH1 OH1M	1L5NL	\$0.2407									

**BELLSOUTH / METROMEDIA FIBER NETWORK SERVICES RATES
LOCAL INTERCONNECTION
Kentucky**

CATEGORY	NOTES	LOCAL INTERCONNECTION	Interim	Zone	BCS	USOC	RATES				OSS RATES					
							Rec	Nonrecurring		Nonrecurring Disconnect		Svc Order Submitted Elec per LSR	Svc Order Submitted Manually per LSR	Incremental Charge - Manual Svc Order vs. Electronic-1st	Incremental Charge - Manual Svc Order vs. Electronic-Add'l	Incremental Charge - Manual Svc Order vs. Electronic-Disc 1st
								First	Add'l	First	Add'l					
		Interoffice Channel - Dedicated Transport - DS1 - Facility Termination per month			OH1 OH1M	1L5NL	\$97.38	\$211.18								
		INTEROFFICE CHANNEL - DEDICATED TRANSPORT- DS3														
		Interoffice Channel - Dedicated Transport - DS3 - Per Mile per month			OH3 OH3M	1L5NM	\$5.1									
		Interoffice Channel - Dedicated Transport - DS3 - Facility Termination per month			OH3 OH3M	1L5NM	\$1,191.53	\$677.69								
		LOCAL CHANNEL - DEDICATED TRANSPORT														
		Local Channel - Dedicated - 2-Wire Voice Grade per month			OHL	TEFV2	\$18.16	\$459.37								
		Local Channel - Dedicated - 4-Wire Voice Grade per month			OHL	TEFV4	\$20.12	\$461.18								
		Local Channel - Dedicated - DS1 per month			OH1	TEFHG	\$44.63	\$399.3								
		Local Channel - Dedicated - DS3 Facility Termination per month(assumes 1 mile)			OH3	TEFHJ	\$595.5	\$1,141.54								
		LOCAL INTERCONNECTION MID-SPAN MEET														
		NOTE: If Access service ride Mid-Span Meet, one-half the tariffed service Local Channel rate is applicable.														
		Local Channel - Dedicated - DS1 per month			OH1MS	TEFHG	\$0.00	\$0.00	\$0.00							
		Local Channel - Dedicated - DS3 per month			OH3MS	TEFHJ	\$0.00	\$0.00	\$0.00							
		MULTIPLEXERS														
		Channelization - DS1 to DS0 Channel System			OH1 OH1N	SATN1	\$139.65	\$182.14	\$125.19	\$21.00	\$19.52					
		DS3 to DS1 Channel System per month			OH3 OH3MS	SATNS	\$194.82	\$356.4	\$188.000	\$66.63	\$63.44					
		DS3 Interface Unit (DS1 COCI) per month			OH1 OH1MS	SATCO	\$14.43	\$13.16	\$9.43							
		Notes: If no rate is identified in the contract, the rate for the specific service or function will be as set forth in applicable BellSouth tariff or as negotiated by the Parties upon request by either Party.														

BELLSOUTH / METROMEDIA FIBER NETWORK SERVICES RATES
LOCAL INTERCONNECTION
 Louisiana

Attachment 3
 Exhibit A
 Rates - Page 11

CATEGORY	NOTES	LOCAL INTERCONNECTION	Interim	Zone	BCS	USOC	RATES				OSS RATES						
							Rec	Nonrecurring		Nonrecurring		Svc Order Submitted Elec per LSR	Svc Order Submitted Manually per LSR	Incremental Charge - Manual Svc Order vs. Electronic-1st	Incremental Charge - Manual Svc Order vs. Electronic-Add'l	Incremental Charge - Manual Svc Order vs. Electronic-Disc 1st	Incremental Charge - Manual Svc Order vs. Electronic-Disc Add'l
								Disconnect		Disconnect							
								First	Add'l	First	Add'l						
													SOMEK	SOMAN	SOMAN	SOMAN	SOMAN
LOCAL INTERCONNECTION (CALL TRANSPORT AND TERMINATION)																	
		END OFFICE SWITCHING															
		End Office Switching Function, Per MOU			OHD		\$0.0011550										
		TANDEM SWITCHING															
		Tandem Switching Function Per MOU			OHD		\$0.0006289										
		Multiple Tandem Switching, per MOU (applies to initial tandem only)			OHD		\$0.0006289										
		TRUNK CHARGE															
		Installation Trunk Side Service - per DS0			OHD	TPP++		\$334.94	\$56.98								
		Dedicated End Office Trunk Port Service-per DS0**			OHD	TDE0P	\$0.00										
		Dedicated End Office Trunk Port Service-per DS1**			OH1	TDE1P	\$0.00										
		Dedicated Tandem Trunk Port Service-per DS0**			OHD	TDW0P	\$0.00										
		Dedicated Tandem Trunk Port Service-per DS1**			OH1MS	TDW1P	\$0.00										
		** This rate element is recovered on a per MOU basis and is included in the End Office Switching and Tandem Switching, per MOU rate elements															
LOCAL INTERCONNECTION (TRANSPORT)																	
		COMMON TRANSPORT (Shared)															
		Common Transport - Per Mile, Per MOU			OHD		\$0.0000037										
		Common Transport - Facilities Termination Per MOU			OHD		\$0.0004332										
		INTEROFFICE CHANNEL - DEDICATED TRANSPORT - VOICE GRADE															
		Interoffice Channel - Dedicated Transport - 2-Wire Voice Grade - Per Mile per month			OHL OH1M	1L5NF	\$0.0165										
		Interoffice Channel - Dedicated Transport - 2-Wire Voice Grade - Facility Termination per month			OHL OH1M	1L5NF	\$26.12	\$80.98	\$54.76	\$33.91	\$13.97						
		INTEROFFICE CHANNEL - DEDICATED TRANSPORT - 56/64 KBPS															
		Interoffice Channel - Dedicated Transport - 56 kbps - per mile per month			OHM OH1M	1L5NK	\$0.0165										
		Interoffice Channel - Dedicated Transport - 56 kbps - Facility Termination per month			OHM OH1M	1L5NK	\$26.12	\$114.89									
		Interoffice Channel - Dedicated Transport - 64 kbps - per mile per month			OHM OH1M	1L5NK	\$0.0165										
		Interoffice Channel - Dedicated Transport - 64 kbps - Facility Termination per month			OHM OH1M	1L5NK	\$26.12	\$114.89	\$0.00	\$0.00	\$0.00						
		INTEROFFICE CHANNEL - DEDICATED TRANSPORT - DS1															
		Interoffice Channel - Dedicated Channel - DS1 - Per Mile per month			OH1 OH1M	1L5NL	\$0.3367										
		Interoffice Channel - Dedicated Transport - DS1 - Facility Termination per month			OH1 OH1M	1L5NL	\$81.45	\$211.47									
		INTEROFFICE CHANNEL - DEDICATED TRANSPORT- DS3															
		Interoffice Channel - Dedicated Transport - DS3 - Per Mile per month			OH3 OH3M	1L5NM	\$7.67										
		Interoffice Channel - Dedicated Transport - DS3 - Facility Termination per month			OH3 OH3M	1L5NM	\$982.87	\$678.88									

**BELLSOUTH / METROMEDIA FIBER NETWORK SERVICES RATES
LOCAL INTERCONNECTION
Louisiana**

CATEGORY	NOTES	LOCAL INTERCONNECTION	Interim	Zone	BCS	USOC	Rec	RATES				OSS RATES						
								Nonrecurring		Nonrecurring Disconnect		Svc Order Submitted Elec per LSR	Svc Order Submitted Manually per LSR	Incremental Charge - Manual Svc Order vs. Electronic-1st	Incremental Charge - Manual Svc Order vs. Electronic-Add'l	Incremental Charge - Manual Svc Order vs. Electronic-Disc 1st	Incremental Charge - Manual Svc Order vs. Electronic-Disc Add'l	
								First	Add'l	First	Add'l							
								SOME	SOMAN	SOMAN	SOMAN	SOMAN	SOMAN					
		LOCAL CHANNEL - DEDICATED TRANSPORT																
		Local Channel - Dedicated - 2-Wire Voice Grade per month			OHL	TEFV2	\$21.44	\$460.03										
		Local Channel - Dedicated - 4-Wire Voice Grade per month			OHL	TEFV4	\$22.7	\$460.04										
		Local Channel - Dedicated - DS1 per month			OH1	TEFHG	\$45.1	\$399.53										
		Local Channel - Dedicated - DS3 Facility Termination per month(assumes 1 mile)			OH3	TEFHJ	\$555.75	\$1,144.21										
		LOCAL INTERCONNECTION MID-SPAN MEET																
		NOTE: If Access service ride Mid-Span Meet, one-half the tariffed service Local Channel rate is applicable.																
		Local Channel - Dedicated - DS1 per month			OH1MS	TEFHG	\$0.00	\$0.00	\$0.00									
		Local Channel - Dedicated - DS3 per month			OH3MS	TEFHJ	\$0.00	\$0.00	\$0.00									
		MULTIPLEXERS																
		Channelization - DS1 to DS0 Channel System			OH1 OH1M	SATN1	\$121.5	\$181.88	\$125.01	\$21.36	\$19.84							
		DS3 to DS1 Channel System per month			OH3 OH3MS	SATNS	\$233.25	\$355.89	\$187.73	\$67.4	\$34.49							
		DS3 Interface Unit (DS1 COCI) per month			OH1 OH1MS	SATCO	\$13.64	\$13.14	\$9.42									
		Notes: If no rate is identified in the contract, the rate for the specific service or function will be as set forth in applicable BellSouth tariff or as negotiated by the Parties upon request by either Party.																

BELLSOUTH / METROMEDIA FIBER NETWORK SERVICES RATES
LOCAL INTERCONNECTION
Mississippi

Attachment 3
 Exhibit A
 Rates - Page 13

CATEGORY	NOTES	LOCAL INTERCONNECTION	Interim	Zone	BCS	USOC	RATES				OSS RATES						
							Rec	Nonrecurring		Nonrecurring		Svc Order Submitted Elec per LSR	Svc Order Submitted Manually per LSR	Incremental Charge - Manual Svc Order vs. Electronic-1st	Incremental Charge - Manual Svc Order vs. Electronic-Add'l	Incremental Charge - Manual Svc Order vs. Electronic-Disc 1st	Incremental Charge - Manual Svc Order vs. Electronic-Disc Add'l
								Disconnect		Disconnect							
								First	Add'l	First	Add'l						
											SOMEC	SOMAN	SOMAN	SOMAN	SOMAN	SOMAN	
LOCAL INTERCONNECTION (CALL TRANSPORT AND TERMINATION)																	
		END OFFICE SWITCHING															
		End Office Switching Function, Per MOU			OHD		\$0.0014872										
		TANDEM SWITCHING															
		Tandem Switching Function Per MOU			OHD		\$0.0006733										
		Multiple Tandem Switching, per MOU (applies to initial tandem only)			OHD		\$0.0006733										
		TRUNK CHARGE															
		Installation Trunk Side Service - per DS0			OHD	TPP++		\$334.11	\$56.98								
		Dedicated End Office Trunk Port Service-per DS0**			OHD	TDE0P	\$0.00										
		Dedicated End Office Trunk Port Service-per DS1**			OH1	TDE1P	\$0.00										
		Dedicated Tandem Trunk Port Service-per DS0**			OHD	TDW0P	\$0.00										
		Dedicated Tandem Trunk Port Service-per DS1**			OH1MS	TDW1P	\$0.00										
		** This rate element is recovered on a per MOU basis and is included in the End Office Switching and Tandem Switching, per MOU rate elements															
LOCAL INTERCONNECTION (TRANSPORT)																	
		COMMON TRANSPORT (Shared)															
		Common Transport - Per Mile, Per MOU			OHD		\$0.000003										
		Common Transport - Facilities Termination Per MOU			OHD		\$0.0004990										
		INTEROFFICE CHANNEL - DEDICATED TRANSPORT - VOICE GRADE															
		Interoffice Channel - Dedicated Transport - 2-Wire Voice Grade - Per Mile per month			OHL OH1M	1L5NF	\$0.0112										
		Interoffice Channel - Dedicated Transport - 2-Wire Voice Grade - Facility Termination per month			OHL OH1M	1L5NF	\$24.75	\$80.95	\$54.74	\$34.27	\$14.12						
		INTEROFFICE CHANNEL - DEDICATED TRANSPORT - 56/64 KBPS															
		Interoffice Channel - Dedicated Transport - 56 kbps - per mile per month			OHM OH1M	1L5NK	\$0.0112										
		Interoffice Channel - Dedicated Transport - 56 kbps - Facility Termination per month			OHM OH1M	1L5NK	\$17.24	\$115.23									
		Interoffice Channel - Dedicated Transport - 64 kbps - per mile per month			OHM OH1M	1L5NK	\$0.0112										
		Interoffice Channel - Dedicated Transport - 64 kbps - Facility Termination per month			OHM OH1M	1L5NK	\$17.24	\$115.23	\$0.00	\$0.00	\$0.00						
		INTEROFFICE CHANNEL - DEDICATED TRANSPORT - DS1															
		Interoffice Channel - Dedicated Channel - DS1 - Per Mile per month			OH1 OH1M	1L5NL	\$0.2293										
		Interoffice Channel - Dedicated Transport - DS1 - Facility Termination per month			OH1 OH1M	1L5NL	\$63.00	\$209.75									
		INTEROFFICE CHANNEL - DEDICATED TRANSPORT- DS3															
		Interoffice Channel - Dedicated Transport - DS3 - Per Mile per month			OH3 OH3M	1L5NM	\$5.43										
		Interoffice Channel - Dedicated Transport - DS3 - Facility Termination per month			OH3 OH3M	1L5NM	\$705.42	\$680.03									

**BELLSOUTH / METROMEDIA FIBER NETWORK SERVICES RATES
LOCAL INTERCONNECTION
Mississippi**

CATEGORY	NOTES	LOCAL INTERCONNECTION	Interim	Zone	BCS	USOC	Rec	RATES				OSS RATES							
								Nonrecurring		Nonrecurring Disconnect		Svc Order Submitted Elec per LSR	Svc Order Submitted Manually per LSR	Incremental Charge - Manual Svc Order vs. Electronic-1st	Incremental Charge - Manual Svc Order vs. Electronic-Add'l	Incremental Charge - Manual Svc Order vs. Electronic-Disc 1st	Incremental Charge - Manual Svc Order vs. Electronic-Disc Add'l		
								First	Add'l	First	Add'l								
								SOME	SOMAN	SOMAN	SOMAN	SOMAN	SOMAN						
		LOCAL CHANNEL - DEDICATED TRANSPORT																	
		Local Channel - Dedicated - 2-Wire Voice Grade per month			OHL	TEFV2	\$16.39	\$460.72											
		Local Channel - Dedicated - 4-Wire Voice Grade per month			OHL	TEFV4	\$17.59	\$461.68											
		Local Channel - Dedicated - DS1 per month			OH1	TEFHG	\$41.4	\$399.92											
		Local Channel - Dedicated - DS3 Facility Termination per month(assumes 1 mile)			OH3	TEFHJ	\$467.62	\$1,146.52											
		LOCAL INTERCONNECTION MID-SPAN MEET																	
		NOTE: If Access service ride Mid-Span Meet, one-half the tariffed service Local Channel rate is applicable.																	
		Local Channel - Dedicated - DS1 per month			OH1MS	TEFHG	\$0.00	\$0.00	\$0.00										
		Local Channel - Dedicated - DS3 per month			OH3MS	TEFHJ	\$0.00	\$0.00	\$0.00										
		MULTIPLEXERS																	
		Channelization - DS1 to DS0 Channel System			OH1 OH1M	SATN1	\$125.29	\$181.84	\$124.98	\$21.57	\$20.05								
		DS3 to DS1 Channel System per month			OH3 OH3MS	SATNS	\$207.87	\$355.8	\$187.69	\$68.11	\$65.17								
		DS3 Interface Unit (DS1 COCI) per month			OH1 OH1MS	SATCO	\$15.78	\$13.13	\$9.41										
		Notes: If no rate is identified in the contract, the rate for the specific service or function will be as set forth in applicable BellSouth tariff or as negotiated by the Parties upon request by either Party.																	

**BELLSOUTH / METROMEDIA FIBER NETWORK SERVICES RATES
LOCAL INTERCONNECTION
North Carolina**

CATEGORY	NOTES	LOCAL INTERCONNECTION	Interim	Zone	BCS	USOC	Rec	RATES				OSS RATES					
								Nonrecurring		Nonrecurring		Svc Order Submitted Elec per LSR	Svc Order Submitted Manually per LSR	Incremental Charge - Manual Svc Order vs. Electronic-1st	Incremental Charge - Manual Svc Order vs. Electronic-Add'l	Incremental Charge - Manual Svc Order vs. Electronic-Disc 1st	Incremental Charge - Manual Svc Order vs. Electronic-Disc Add'l
								First	Add'l	First	Add'l						
								Disconnect		Disconnect		SOMECS	SOMAN	SOMAN	SOMAN	SOMAN	SOMAN
LOCAL INTERCONNECTION (CALL TRANSPORT AND TERMINATION)																	
		END OFFICE SWITCHING															
		End Office Switching Function, Per MOU			OHD		\$0.0017300										
		TANDEM SWITCHING															
		Tandem Switching Function Per MOU			OHD		\$0.0012000										
		Multiple Tandem Switching, per MOU (applies to initial tandem only)			OHD		\$0.0012000										
		TRUNK CHARGE															
		Installation Trunk Side Service - per DS0			OHD	TPP++		\$333.54	\$56.88								
		Dedicated End Office Trunk Port Service-per DS0**			OHD	TDE0P	\$0.00										
		Dedicated End Office Trunk Port Service-per DS1**			OH1	TDE1P	\$0.00										
		Dedicated Tandem Trunk Port Service-per DS0**			OHD	TDW0P	\$0.00										
		Dedicated Tandem Trunk Port Service-per DS1**			OH1MS	TDW1P	\$0.00										
		** This rate element is recovered on a per MOU basis and is included in the End Office Switching and Tandem Switching, per MOU rate elements															
LOCAL INTERCONNECTION (TRANSPORT)																	
		COMMON TRANSPORT (Shared)															
		Common Transport - Per Mile, Per MOU			OHD		\$0.00001										
		Common Transport - Facilities Termination Per MOU			OHD		\$0.00034										
		INTEROFFICE CHANNEL - DEDICATED TRANSPORT - VOICE GRADE															
		Interoffice Channel - Dedicated Transport - 2-Wire Voice Grade - Per Mile per month			OHL OH1M	1L5NF	\$0.0282										
		Interoffice Channel - Dedicated Transport- 2- Wire Voice Grade - Facility Termination per month			OHL OH1M	1L5NF	\$18.01	\$137.48	\$52.58								
		INTEROFFICE CHANNEL - DEDICATED TRANSPORT - 56/64 KBPS															
		Interoffice Channel - Dedicated Transport - 56 kbps - per mile per month			OHM OH1M	1L5NK	\$0.0282										
		Interoffice Channel - Dedicated Transport - 56 kbps - Facility Termination per month			OHM OH1M	1L5NK	\$17.40	\$137.48									
		Interoffice Channel - Dedicated Transport - 64 kbps - per mile per month			OHM OH1M	1L5NK	\$0.0282										
		Interoffice Channel - Dedicated Transport - 64 kbps - Facility Termination per month			OHM OH1M	1L5NK	\$17.40	\$137.48									
		INTEROFFICE CHANNEL - DEDICATED TRANSPORT - DS1															
		Interoffice Channel - Dedicated Channel - DS1 - Per Mile per month			OH1 OH1M	1L5NL	\$0.5753										
		Interoffice Channel - Dedicated Transport - DS1 - Facility Termination per month			OH1 OH1M	1L5NL	\$71.29	\$217.17									
		INTEROFFICE CHANNEL - DEDICATED TRANSPORT- DS3															
		Interoffice Channel - Dedicated Transport - DS3 - Per Mile per month			OH3 OH3M	1L5NM	\$112.98										
		Interoffice Channel - Dedicated Transport - DS3 - Facility Termination per month			OH3 OH3M	1L5NM	\$720.38	\$794.94									

**BELLSOUTH / METROMEDIA FIBER NETWORK SERVICES RATES
LOCAL INTERCONNECTION
North Carolina**

CATEGORY	NOTES	LOCAL INTERCONNECTION	Interim	Zone	BCS	USOC	Rec	RATES				OSS RATES							
								Nonrecurring		Nonrecurring Disconnect		Svc Order Submitted Elec per LSR	Svc Order Submitted Manually per LSR	Incremental Charge - Manual Svc Order vs. Electronic-1st	Incremental Charge - Manual Svc Order vs. Electronic-Add'l	Incremental Charge - Manual Svc Order vs. Electronic-Disc 1st	Incremental Charge - Manual Svc Order vs. Electronic-Disc Add'l		
								First	Add'l	First	Add'l								
								SOME	SOMAN	SOMAN	SOMAN	SOMAN	SOMAN						
		LOCAL CHANNEL - DEDICATED TRANSPORT																	
		Local Channel - Dedicated - 2-Wire Voice Grade per month			OHL	TEFV2	\$14.82	\$553.8											
		Local Channel - Dedicated - 4-Wire Voice Grade per month			OHL	TEFV4	\$15.67	\$562.23											
		Local Channel - Dedicated - DS1 per month			OH1	TEFHG	\$35.68	\$534.48											
		Local Channel - Dedicated - DS3 Facility Termination per month (assumes 1 mile)			OH3	TEFHJ	\$508.69	\$562.25											
		LOCAL INTERCONNECTION MID-SPAN MEET																	
		NOTE: If Access service ride Mid-Span Meet, one-half the tariffed service Local Channel rate is applicable.																	
		Local Channel - Dedicated - DS1 per month			OH1MS	TEFHG	\$0.00	\$0.00	\$0.00										
		Local Channel - Dedicated - DS3 per month			OH3MS	TEFHJ	\$0.00	\$0.00	\$0.00										
		MULTIPLEXERS																	
		Channelization - DS1 to DS0 Channel System			OH1 OH1M	SATN1	\$146.69	\$197.78	\$140.05										
		DS3 to DS1 Channel System per month			OH3 OH3MS	SATNS	\$233.1	\$103.97	\$234.4										
		DS3 Interface Unit (DS1 COCI) per month			OH1 OH1MS	SATCO	\$16.07	\$13.09	\$9.38										
		Notes: If no rate is identified in the contract, the rate for the specific service or function will be as set forth in applicable BellSouth tariff or as negotiated by the Parties upon request by either Party.																	

**BELLSOUTH / METROMEDIA FIBER NETWORK SERVICES RATES
LOCAL INTERCONNECTION
South Carolina**

CATEGORY	NOTES	LOCAL INTERCONNECTION	Interim	Zone	BCS	USOC	RATES				OSS RATES									
							Rec	Nonrecurring		Nonrecurring		Svc Order Submitted Elec per LSR	Svc Order Submitted Manually per LSR	Incremental Charge - Manual Svc Order vs. Electronic-1st	Incremental Charge - Manual Svc Order vs. Electronic-Add'l	Incremental Charge - Manual Svc Order vs. Electronic-Disc 1st	Incremental Charge - Manual Svc Order vs. Electronic-Disc Add'l			
								Disconnect		Disconnect										
								First	Add'l	First	Add'l									
SOME	SOMAN	SOMAN	SOMAN	SOMAN	SOMAN															
LOCAL INTERCONNECTION (CALL TRANSPORT AND TERMINATION)																				
		END OFFICE SWITCHING																		
		End Office Switching Function, Per MOU			OHD		\$0.0021876													
		TANDEM SWITCHING																		
		Tandem Switching Function Per MOU			OHD		\$0.0014911													
		Multiple Tandem Switching, per MOU (applies to initial tandem only)			OHD		\$0.0014911													
		TRUNK CHARGE																		
		Installation Trunk Side Service - per DS0			OHD	TPP++		\$335.14	\$57.16											
		Dedicated End Office Trunk Port Service-per DS0**			OHD	TDE0P	\$0.00													
		Dedicated End Office Trunk Port Service-per DS1**			OH1	TDE1P	\$0.00													
		Dedicated Tandem Trunk Port Service-per DS0**			OHD	TDW0P	\$0.00													
		Dedicated Tandem Trunk Port Service-per DS1**			OH1MS	TDW1P	\$0.00													
		** This rate element is recovered on a per MOU basis and is included in the End Office Switching and Tandem Switching, per MOU rate elements																		
LOCAL INTERCONNECTION (TRANSPORT)																				
		COMMON TRANSPORT (Shared)																		
		Common Transport - Per Mile, Per MOU			OHD		\$0.0000121													
		Common Transport - Facilities Termination Per MOU			OHD		\$0.0004672													
		INTEROFFICE CHANNEL - DEDICATED TRANSPORT - VOICE GRADE																		
		Interoffice Channel - Dedicated Transport - 2-Wire Voice Grade - Per Mile per month			OHL OH1M	1L5NF	\$0.0167													
		Interoffice Channel - Dedicated Transport - 2-Wire Voice Grade - Facility Termination per month			OHL OH1M	1L5NF	\$24.3	\$81.25	\$54.94	\$33.64	\$13.82									
		INTEROFFICE CHANNEL - DEDICATED TRANSPORT - 56/64 KBPS																		
		Interoffice Channel - Dedicated Transport - 56 kbps - per mile per month			OHM OH1M	1L5NK	\$0.0167													
		Interoffice Channel - Dedicated Transport - 56 kbps - Facility Termination per month			OHM OH1M	1L5NK	\$16.76	\$114.89												
		Interoffice Channel - Dedicated Transport - 64 kbps - per mile per month			OHM OH1M	1L5NK	\$0.0167													
		Interoffice Channel - Dedicated Transport - 64 kbps - Facility Termination per month			OHM OH1M	1L5NK	\$16.76	\$114.89	\$0.00	\$0.00	\$0.00									
		INTEROFFICE CHANNEL - DEDICATED TRANSPORT - DS1																		
		Interoffice Channel - Dedicated Channel - DS1 - Per Mile per month			OH1 OH1M	1L5NL	\$0.3415													
		Interoffice Channel - Dedicated Transport - DS1 - Facility Termination per month			OH1 OH1M	1L5NL	\$77.14	\$211.7												
		INTEROFFICE CHANNEL - DEDICATED TRANSPORT- DS3																		
		Interoffice Channel - Dedicated Transport - DS3 - Per Mile per month			OH3 OH3M	1L5NM	\$8.02													
		Interoffice Channel - Dedicated Transport - DS3 - Facility Termination per month			OH3 OH3M	1L5NM	\$880.65	\$679.4												

**BELLSOUTH / METROMEDIA FIBER NETWORK SERVICES RATES
LOCAL INTERCONNECTION
South Carolina**

CATEGORY	NOTES	LOCAL INTERCONNECTION	Interim	Zone	BCS	USOC	Rec	RATES				OSS RATES							
								Nonrecurring		Nonrecurring Disconnect		Svc Order Submitted Elec per LSR	Svc Order Submitted Manually per LSR	Incremental Charge - Manual Svc Order vs. Electronic-1st	Incremental Charge - Manual Svc Order vs. Electronic-Add'l	Incremental Charge - Manual Svc Order vs. Electronic-Disc 1st	Incremental Charge - Manual Svc Order vs. Electronic-Disc Add'l		
								First	Add'l	First	Add'l								
								SOME	SOMAN	SOMAN	SOMAN	SOMAN	SOMAN						
		LOCAL CHANNEL - DEDICATED TRANSPORT																	
		Local Channel - Dedicated - 2-Wire Voice Grade per month			OHL	TEFV2	\$15.33	\$460.49											
		Local Channel - Dedicated - 4-Wire Voice Grade per month			OHL	TEFV4	\$16.54	\$462.31											
		Local Channel - Dedicated - DS1 per month			OH1	TEFHG	\$42.62	\$400.21											
		Local Channel - Dedicated - DS3 Facility Termination per month(assumes 1 mile)			OH3	TEFHJ	\$457.93	\$1,144.54											
		LOCAL INTERCONNECTION MID-SPAN MEET																	
		NOTE: If Access service ride Mid-Span Meet, one-half the tariffed service Local Channel rate is applicable.																	
		Local Channel - Dedicated - DS1 per month			OH1MS	TEFHG	\$0.00	\$0.00	\$0.00										
		Local Channel - Dedicated - DS3 per month			OH3MS	TEFHJ	\$0.00	\$0.00	\$0.00										
		MULTIPLEXERS																	
		Channelization - DS1 to DS0 Channel System			OH1 OH1M	SATN1	\$134.46	\$182.48	\$125.42	\$21.12	\$19.62								
		DS3 to DS1 Channel System per month			OH3 OH3MS	SATNS	\$233.1	\$403.97	\$234.4										
		DS3 Interface Unit (DS1 COCI) per month			OH1 OH1MS	SATCO	\$10.8	\$13.18	\$9.45										
		Notes: If no rate is identified in the contract, the rate for the specific service or function will be as set forth in applicable BellSouth tariff or as negotiated by the Parties upon request by either Party.																	

BELLSOUTH / METROMEDIA FIBER NETWORK SERVICES RATES
LOCAL INTERCONNECTION
Tennessee

CATEGORY	NOTES	LOCAL INTERCONNECTION	Interim	Zone	BCS	USOC	RATES				OSS RATES												
							REC	Nonrecurring	Disconnect	Nonrecurring	Svc Order Submitted Elec per LSR	Svc Order Submitted Manually per LSR	Incremental Charge - Manual Svc Order vs. Electronic-1st	Incremental Charge - Manual Svc Order vs. Electronic-Add'l	Incremental Charge - Manual Svc Order vs. Electronic-Disc 1st	Incremental Charge - Manual Svc Order vs. Electronic-Disc Add'l							
																	Nonrecurring	Disconnect					
LOCAL INTERCONNECTION (CALL TRANSPORT AND TERMINATION)																							
		END OFFICE SWITCHING																					
		End Office Switching Function, Per MOU				OHD		\$0.0008041															
		TANDEM SWITCHING																					
		Tandem Switching Function Per MOU				OHD		\$0.0009778															
		Multiple Tandem Switching, per MOU (applies to initial tandem only)				OHD		\$0.0009778															
		TRUNK CHARGE																					
		Installation Trunk Side Service - per DS0				OHD	TPP++		\$334.29	\$57.01													
		Dedicated End Office Trunk Port Service-per DS0**				OHD	TDE0P	\$0.00															
		Dedicated End Office Trunk Port Service-per DS1**				OH1	TDE1P	\$0.00															
		Dedicated Tandem Trunk Port Service-per DS0**				OHD	TDW0P	\$0.00															
		Dedicated Tandem Trunk Port Service-per DS1**				OH1MS	TDW1P	\$0.00															
		** This rate element is recovered on a per MOU basis and is included in the End Office Switching and Tandem Switching, per MOU rate elements																					
LOCAL INTERCONNECTION (TRANSPORT)																							
		COMMON TRANSPORT (Shared)																					
		Common Transport - Per Mile, Per MOU				OHD		\$0.0000064															
		Common Transport - Facilities Termination Per MOU				OHD		\$0.0003871															
		INTEROFFICE CHANNEL - DEDICATED TRANSPORT - VOICE GRADE																					
		Interoffice Channel - Dedicated Transport - 2-Wire Voice Grade - Per Mile per month				OHL OH1M	1L5NF	\$0.0174															
		Interoffice Channel - Dedicated Transport - 2-Wire Voice Grade - Facility Termination per month				OHL OH1M	1L5NF	\$18.58	\$55.39	\$17.37	\$27.96	\$3.51											
		INTEROFFICE CHANNEL - DEDICATED TRANSPORT - 56/64 KBPS																					
		Interoffice Channel - Dedicated Transport - 56 kbps - per mile per month				OHM OH1M	1L5NK	\$0.0174															
		Interoffice Channel - Dedicated Transport - 56 kbps - Facility Termination per month				OHM OH1M	1L5NK	\$18.53	\$83.35														
		Interoffice Channel - Dedicated Transport - 64 kbps - per mile per month				OHM OH1M	1L5NK	\$0.0174															
		Interoffice Channel - Dedicated Transport - 64 kbps - Facility Termination per month				OHM OH1M	1L5NK	\$18.53	\$83.35														
		INTEROFFICE CHANNEL - DEDICATED TRANSPORT - DS1																					
		Interoffice Channel - Dedicated Channel - DS1 - Per Mile per month				OH1 OH1M	1L5NL	\$0.3525															
		Interoffice Channel - Dedicated Transport - DS1 - Facility Termination per month				OH1 OH1M	1L5NL	\$75.83	\$131.95														
		INTEROFFICE CHANNEL - DEDICATED TRANSPORT- DS3																					
		Interoffice Channel - Dedicated Transport - DS3 - Per Mile per month				OH3 OH3M	1L5NM	\$2.34															
		Interoffice Channel - Dedicated Transport - DS3 - Facility Termination per month				OH3 OH3M	1L5NM	\$848.99	\$504.33														

**BELLSOUTH / METROMEDIA FIBER NETWORK SERVICES RATES
LOCAL INTERCONNECTION
Tennessee**

CATEGORY	NOTES	LOCAL INTERCONNECTION	Interim	Zone	BCS	USOC	REC	RATES				OSS RATES						
								Nonrecurring		Disconnect		Svc Order Submitted Elec per LSR	Svc Order Submitted Manually per LSR	Incremental Charge - Manual Svc Order vs. Electronic-1st	Incremental Charge - Manual Svc Order vs. Electronic-Add'l	Incremental Charge - Manual Svc Order vs. Electronic-Disc 1st	Incremental Charge - Manual Svc Order vs. Electronic-Disc Add'l	
		LOCAL CHANNEL - DEDICATED TRANSPORT																
		Local Channel - Dedicated - 2-Wire Voice Grade per month			OHL	TEFV2	\$19.02	\$254.14										
		Local Channel - Dedicated - 4-Wire Voice Grade per month			OHL	TEFV4	\$20.56	\$257.05										
		Local Channel - Dedicated - DS1 per month			OH1	TEFHG	\$40.00	\$310.53										
		Local Channel - Dedicated - DS3 Facility Termination per month(assumes 1 mile)			OH3	TEFHJ	\$623.23	\$811.19										
		NOTE: If Access service ride Mid-Span Meet, one-half the tariffed service Local Channel rate is applicable.																
		Local Channel - Dedicated - DS1 per month			OH1MS	TEFHG	\$0.00	\$0.00	\$0.00									
		Local Channel - Dedicated - DS3 per month			OH3MS	TEFHJ	\$0.00	\$0.00	\$0.00									
		MULTIPLEXERS																
		Channelization - DS1 to DS0 Channel System			OH1 OH1M	SATN1	\$80.77	\$141.87	\$77.11	\$44.47	\$42.62							
		DS3 to DS1 Channel System per month			OH3 OH3MS	SATNS	\$222.98	\$308.03	\$108.47	\$6.43	\$4.23							
		DS3 Interface Unit (DS1 COC) per month			OH1 OH1MS	SATCO	\$17.58	\$6.07	\$4.66									
		Notes: If no rate is identified in the contract, the rate for the specific service or function will be as set forth in applicable BellSouth tariff or as negotiated by the Parties upon request by either Party.																

Attachment 4

Physical Collocation

BELLSOUTH
PHYSICAL COLLOCATION

1. Scope of Attachment

- 1.1 The rates, terms, and conditions contained within this Attachment shall only apply when <<customer_name>> is physically collocated as a sole occupant or as a Host within a Premises location pursuant to this Attachment. This Attachment does not apply to Tennessee Caged Collocation which shall be offered pursuant to Attachment 4 – TN. BellSouth Premises include BellSouth Central Offices and Serving Wire Centers (hereinafter “Premises”). This Attachment is applicable to Premises owned or leased by BellSouth. However, if the Premises occupied by BellSouth is leased by BellSouth from a third party, special considerations and intervals may apply in addition to the terms and conditions of this Attachment.
- 1.2 Right to Occupy. BellSouth shall offer to <<customer_name>> collocation on rates, terms, and conditions that are just, reasonable, non-discriminatory and consistent with the rules of the Federal Communications Commission (“FCC”). Subject to the rates, terms and conditions of this Attachment where space is available and it is technically feasible, BellSouth will allow <<customer_name>> to occupy that certain area designated by BellSouth within a BellSouth Premises, or on BellSouth property upon which the BellSouth Premises is located, of a size which is specified by <<customer_name>> and agreed to by BellSouth (hereinafter “Collocation Space”). The necessary rates, terms and conditions for BellSouth locations other than BellSouth Premises shall be negotiated upon request for collocation at such location(s).
- 1.2.1 Neither BellSouth nor any of BellSouth’s affiliates may reserve space for future use on more preferential terms than those set forth below.
- 1.2.1.1 In all states other than Florida, the size specified by <<customer_name>> may contemplate a request for space sufficient to accommodate <<customer_name>>’s growth within a two-year period.
- 1.2.1.2 In the state of Florida, the size specified by <<customer_name>> may contemplate a request for space sufficient to accommodate <<customer_name>>’s growth within an eighteen (18) month period.
- 1.3 Space Reclamation. In the event of space exhaust within a Central Office Premises, BellSouth may include in its documentation for the Petition for Waiver filing any unutilized space in the Central Office Premises. <<customer_name>> will be responsible for any justification of unutilized space within its space, if such justification is required by the appropriate state commission.

- 1.4 Use of Space. <<customer_name>> shall use the Collocation Space for the purposes of installing, maintaining and operating <<customer_name>>'s equipment (to include testing and monitoring equipment) necessary for interconnection with BellSouth services and facilities or for accessing BellSouth unbundled network elements for the provision of telecommunications services. The Collocation Space may be used for no other purposes except as specifically described herein or in any amendment hereto.
- 1.5 Rates and Charges. <<customer_name>> agrees to pay the rates and charges identified in Exhibit D attached hereto.
- 1.6 Due Dates. In all states other than Georgia, if any due date contained in this Attachment falls on a weekend or National holiday, then the due date will be the next business day thereafter.
- 1.7 The parties agree to comply with all applicable federal, state, county, local and administrative laws, rules, ordinances, regulations and codes in the performance of their obligations hereunder.

2. Space Availability Report

- 2.1 Space Availability Report. Upon request from <<customer_name>>, BellSouth will provide a written report ("Space Availability Report") specifying the amount of Collocation Space available at the Premises requested, the number of collocators present at the Premises, any modifications in the use of the space since the last report on the Premises requested and the measures BellSouth is taking to make additional space available for collocation arrangements.
- 2.1.1 The request from <<customer_name>> for a Space Availability Report must be written and must include the Premises street address, located in the Local Exchange Routing Guide and Common Language Location Identification ("CLLI") code of the Premises. CLLI code information is located in the National Exchange Carriers Association (NECA) Tariff FCC No. 4.
- 2.1.2 BellSouth will respond to a request for a Space Availability Report for a particular Premises within ten (10) calendar days of receipt of such request. BellSouth will make best efforts to respond in ten (10) calendar days to such a request when the request includes from two (2) to five (5) Premises within the same state. The response time for requests of more than five (5) Premises shall be negotiated between the Parties. If BellSouth cannot meet the ten calendar day response time, BellSouth shall notify <<customer_name>> and inform <<customer_name>> of the time frame under which it can respond. In Mississippi, the above intervals shall be in business days.

3. Collocation Options

- 3.1 Cageless. BellSouth shall allow <<customer_name>> to collocate <<customer_name>>'s equipment and facilities without requiring the construction of a cage or similar structure. BellSouth shall allow <<customer_name>> to have direct access to its equipment and facilities. BellSouth shall make cageless collocation available in single bay increments. Except where <<customer_name>>'s equipment requires special technical considerations (e.g., special cable racking, isolated ground plane, etc.), BellSouth shall assign cageless Collocation Space in conventional equipment rack lineups where feasible. For equipment requiring special technical considerations, <<customer_name>> must provide the equipment layout, including spatial dimensions for such equipment pursuant to generic requirements contained in Telcordia GR-63-Core, and shall be responsible for compliance with all special technical requirements associated with such equipment.
- 3.2 At <<customer_name>>'s expense, <<customer_name>> may arrange with a contractor certified by BellSouth ("Certified Contractor") to construct a collocation arrangement enclosure in accordance with BellSouth's guidelines and specifications prior to starting equipment installation. BellSouth will provide guidelines and specifications upon request. Where local building codes require enclosure specifications more stringent than BellSouth's standard enclosure specification, <<customer_name>> and <<customer_name>>'s Certified Contractor must comply with the more stringent local building code requirements. <<customer_name>>'s Certified Contractor shall be responsible for filing and receiving any and all necessary permits and/or licenses for such construction. BellSouth shall cooperate with <<customer_name>> and provide, at <<customer_name>>'s expense, the documentation, including architectural drawings, necessary for <<customer_name>> to obtain the zoning, permits and/or other licenses. <<customer_name>>'s Certified Contractor shall bill <<customer_name>> directly for all work performed for <<customer_name>> pursuant to this Attachment and BellSouth shall have no liability for nor responsibility to pay such charges imposed by the <<customer_name>>'s Certified Contractor. <<customer_name>> must provide the local BellSouth building contact with two Access Keys used to enter the locked enclosure. Except in case of emergency, BellSouth will not access <<customer_name>>'s locked enclosure prior to notifying <<customer_name>>. Upon request, BellSouth shall construct the enclosure for <<customer_name>>.
- 3.2.1 BellSouth may elect to review <<customer_name>>'s plans and specifications prior to allowing construction to start to ensure compliance with BellSouth's guidelines and specifications. BellSouth shall complete its review within fifteen (15) calendar days. <<customer_name>> shall be able to design caged enclosures in amounts as small as sufficient to house and maintain a single rack or bay of equipment. If BellSouth reviews <<customer_name>>'s plans and specifications prior to construction, then BellSouth will have the right to inspect the enclosure after construction to make sure it is constructed according to the submitted plans and specifications. If BellSouth elects not to review <<customer_name>>'s plans and specifications prior to

- construction, <<customer_name>> will be entitled to request BellSouth to review; and in the event <<customer_name>> does not request a BellSouth review, BellSouth shall have the right to inspect the enclosure after construction to make sure it is constructed according to BellSouth's guidelines and specifications. BellSouth may require <<customer_name>> to remove or correct within seven (7) calendar days at <<customer_name>>'s expense any structure that does not meet these plans and specifications or, where applicable, BellSouth guidelines and specifications.
- 3.3 Shared (Subleased) Caged Collocation. <<customer_name>> may allow other telecommunications carriers to share <<customer_name>>'s caged collocation arrangement pursuant to terms and conditions agreed to by <<customer_name>> ("Host") and other telecommunications carriers ("Guests") and pursuant to this section, except where the BellSouth Premises is located within a leased space and BellSouth is prohibited by said lease from offering such an option. <<customer_name>> shall notify BellSouth in writing upon execution of any agreement between the Host and its Guest within ten (10) calendar days (in Mississippi, ten (10) business days) of its execution and prior to any Firm Order. Further, such notice shall include the name of the Guest(s) and the term of the agreement, and shall contain a certification by <<customer_name>> that said agreement imposes upon the Guest(s) the same terms and conditions for Collocation Space as set forth in this Attachment between BellSouth and <<customer_name>>.
- 3.3.1 <<customer_name>>, as the Host shall be the sole interface and responsible Party to BellSouth for the assessment and billing of rates and charges contained within this Attachment and for the purposes of ensuring that the safety and security requirements of this Attachment are fully complied with by the Guest, its employees and agents. BellSouth shall provide <<customer_name>> with a proration of the costs of the collocation space based on the number of collocators and the space used by each. In all states other than Florida, and in addition to the foregoing, <<customer_name>> shall be the responsible party to BellSouth for the purpose of submitting Applications for initial and additional equipment placement of Guest. In the event the Host and Guest jointly submit an initial Application, only one Application Fee will be assessed. A separate initial Guest application shall require the assessment of a Subsequent Application Fee, as set forth in Exhibit D, if this Application is not the initial Application made for the arrangement. Notwithstanding the foregoing, Guest may arrange directly with BellSouth for the provision of the interconnecting facilities between BellSouth and Guest and for the provision of the services and access to unbundled network elements.
- 3.3.2 <<customer_name>> shall indemnify and hold harmless BellSouth from any and all claims, actions, causes of action, of whatever kind or nature arising out of the presence of <<customer_name>>'s Guests in the Collocation Space except to the extent caused by BellSouth's sole negligence, gross negligence, or willful misconduct.

- 3.4 Adjacent Collocation. Subject to technical feasibility and space availability, BellSouth will permit adjacent collocation arrangements (“Adjacent Arrangement”) on the Premises’ property where physical collocation space within the Premises is legitimately exhausted, where the Adjacent Arrangement does not interfere with access to existing or planned structures or facilities on the Premises property. The Adjacent Arrangement shall be constructed or procured by <<customer_name>> and in conformance with BellSouth’s design and construction specifications. Further, <<customer_name>> shall construct, procure, maintain and operate said Adjacent Arrangement(s) pursuant to all of the rates, terms and conditions set forth in this Attachment.
- 3.4.1 Should <<customer_name>> elect such option, <<customer_name>> must arrange with a Certified Contractor to construct an Adjacent Arrangement structure in accordance with BellSouth’s guidelines and specifications. BellSouth will provide guidelines and specifications upon request. Where local building codes require enclosure specifications more stringent than BellSouth’s standard specification, <<customer_name>> and <<customer_name>>’s Certified Contractor must comply with the more stringent local building code requirements. <<customer_name>>’s Certified Contractor shall be responsible for filing and receiving any and all necessary zoning, permits and/or licenses for such construction. <<customer_name>>’s Certified Contractor shall bill <<customer_name>> directly for all work performed for <<customer_name>> pursuant to this Attachment and BellSouth shall have no liability for nor responsibility to pay such charges imposed by <<customer_name>>’s Certified Contractor. <<customer_name>> must provide the local BellSouth building contact with two cards, keys or other access device used to enter the locked enclosure. Except in cases of emergency, BellSouth shall not access <<customer_name>>’s locked enclosure prior to notifying <<customer_name>>.
- 3.4.2 <<customer_name>> must submit its plans and specifications to BellSouth with its Firm Order. BellSouth may elect to review <<customer_name>>’s plans and specifications prior to construction of an Adjacent Arrangement(s) to ensure compliance with BellSouth’s guidelines and specifications. BellSouth shall complete its review within fifteen (15) calendar days. If BellSouth reviews <<customer_name>>’s plans and specifications prior to construction, then BellSouth will have the right to inspect the Adjacent Arrangement after construction to make sure it is constructed according to the submitted plans and specifications. If BellSouth elects not to review <<customer_name>>’s plans and specifications prior to construction, <<customer_name>> will be entitled to request BellSouth to review; and in the event <<customer_name>> does not request a BellSouth review, BellSouth shall have the right to inspect the Adjacent Arrangement after construction to make sure it is constructed according to BellSouth’s guidelines and specifications. BellSouth may require <<customer_name>> to remove or correct within seven (7) calendar days at <<customer_name>>’s expense any structure that does not meet these plans and specifications or, where applicable, BellSouth’s guidelines and specifications.

- 3.4.3 <<customer_name>> shall provide a concrete pad, the structure housing the arrangement, heating/ventilation/air conditioning (“HVAC”), lighting, and all facilities that connect the structure (i.e. racking, conduits, etc.) to the BellSouth point of demarcation. At <<customer_name>>’s option, and where the local authority having jurisdiction permits, BellSouth shall provide an AC power source and access to physical collocation services and facilities subject to the same nondiscriminatory requirements as applicable to any other physical collocation arrangement. <<customer_name>>’s Certified Contractor shall be responsible, at <<customer_name>>’s expense, for filing and receiving any and all necessary zoning, permits and/or licenses for such arrangement.
- 3.4.4 BellSouth shall allow Shared (Subleased) Caged Collocation within an Adjacent Arrangement pursuant to the terms and conditions set forth herein.

4. Occupancy

- 4.1 Occupancy. BellSouth will notify <<customer_name>> in writing that the Collocation Space is ready for occupancy ("Space Ready Date"). <<customer_name>> must notify BellSouth in writing that collocation equipment installation is complete and is operational with BellSouth’s network. BellSouth may, at its option, not accept orders for cross connects until receipt of such notice. For purposes of this paragraph, <<customer_name>>’s telecommunications equipment will be deemed operational when cross-connected to BellSouth’s network for the purpose of service provision.
- 4.2 Termination of Occupancy. In addition to any other provisions addressing termination of occupancy in this Agreement, <<customer_name>> may terminate occupancy in a particular Collocation Space by submitting a Subsequent Application requesting termination of occupancy. A Subsequent Application Fee will not apply for termination of occupancy. BellSouth may terminate <<customer_name>>’s right to occupy the Collocation Space in the event <<customer_name>> fails to comply with any provision of this Agreement.
- 4.2.1 Upon termination of occupancy, <<customer_name>> at its expense shall remove its equipment and other property from the Collocation Space. <<customer_name>> shall have thirty (30) calendar days from the termination date to complete such removal, including the removal of all equipment and facilities of <<customer_name>>’s Guests, unless <<customer_name>>’s Guest has assumed responsibility for the collocation space housing the Guest’s equipment and executed the documentation required by BellSouth prior to such removal date. <<customer_name>> shall continue payment of monthly fees to BellSouth until such date as <<customer_name>>, and if applicable <<customer_name>>’s Guest, has fully vacated the Collocation Space. Should <<customer_name>> or <<customer_name>>’s Guest fail to vacate the Collocation Space within thirty (30) calendar days from the termination date, BellSouth shall have the right to remove the equipment and other property of <<customer_name>> or <<customer_name>>’s

Guest at <<customer_name>>'s expense and with no liability for damage or injury to <<customer_name>> or <<customer_name>>'s Guest's property unless caused by the gross negligence or intentional misconduct of BellSouth. Upon termination of <<customer_name>>'s right to occupy Collocation Space, <<customer_name>> shall surrender such Collocation Space to BellSouth in the same condition as when first occupied by <<customer_name>> except for ordinary wear and tear, unless otherwise agreed to by the Parties. <<customer_name>> or <<customer_name>>'s BellSouth Certified Vendor shall be responsible for updating and making any necessary changes to BellSouth's records as required by BellSouth's guidelines and specifications including but not limited to Central Office Record Drawings, ERMA, TIRKS, LFACS, LMOS, COSMOS, and TEOSPS DSX Records. <<customer_name>> shall be responsible for the cost of removing any enclosure, together with all support structures (e.g., racking, conduits, etc.), at the termination of occupancy and restoring the grounds to their original condition.

5. Use of Collocation Space

- 5.1 Equipment Type. BellSouth permits the collocation of any type of equipment necessary for interconnection to BellSouth's network or for access to BellSouth's unbundled network elements in the provision of telecommunications services.
- 5.1.1 Such equipment must at a minimum meet the following BellCore (Telcordia) Network Equipment Building Systems (NEBS) General Equipment Requirements: Criteria Level 1 requirements as outlined in the BellCore (Telcordia) Special Report SR-3580, Issue 1; equipment design spatial requirements per GR-63-CORE, Section 2; thermal heat dissipation per GR-063-CORE, Section 4, Criteria 77-79; acoustic noise per GR-063-CORE, Section 4, Criterion 128, and National Electric Code standards. Except where otherwise required by a Commission, BellSouth shall comply with the applicable FCC rules relating to denial of collocation based on <<customer_name>>'s failure to comply with this section.
- 5.1.2 <<customer_name>> shall not request more DS0, DS1, DS3 and optical terminations for a collocation arrangement than the total port or termination capacity of the transmission equipment physically installed in the arrangement. The total capacity of the transmission equipment collocated in the arrangement will include equipment contained in the application in question as well as equipment already placed in the arrangement. Collocated cross-connect devices are not considered transmission equipment. If full network termination capacity of the transmission equipment being installed is not requested in the application, additional network terminations for the installed equipment will require the submission of another application. In the event that <<customer_name>> submits an application for terminations that exceed the total capacity of the collocated equipment, <<customer_name>> will be informed of the discrepancy and will be required to submit a revision to the application.

- 5.2 <<customer_name>> shall not use the Collocation Space for marketing purposes nor shall it place any identifying signs or markings outside the Collocation Space or on the grounds of the Premises.
- 5.3 <<customer_name>> shall place a plaque or other identification affixed to <<customer_name>>'s equipment necessary to identify <<customer_name>>'s equipment, including a list of emergency contacts with telephone numbers.
- 5.4 Entrance Facilities. <<customer_name>> may elect to place <<customer_name>>-owned or <<customer_name>>-leased fiber entrance facilities into the Collocation Space. Such entrance facilities may be a 432-count fiber cable and associated splice case, where feasible. BellSouth will designate the point of interconnection in close proximity to the Premises building housing the Collocation Space, such as an entrance manhole or a cable vault which are physically accessible by both Parties. <<customer_name>> will provide and place fiber cable at the point of entrance of sufficient length to be pulled through conduit and into the splice location. <<customer_name>> will provide and install a sufficient length of fire retardant riser cable, to which the entrance cable will be spliced by BellSouth, which will extend from the splice location to <<customer_name>>'s equipment in the Collocation Space. In the event <<customer_name>> utilizes a non-metallic, riser-type entrance facility, a splice will not be required. <<customer_name>> must contact BellSouth for instructions prior to placing the entrance facility cable in the manhole. <<customer_name>> is responsible for maintenance of the entrance facilities. At <<customer_name>>'s option BellSouth will accommodate where technically feasible a microwave entrance facility pursuant to separately negotiated terms and conditions. In the case of adjacent collocation, unless BellSouth determines that limited space is available for the entrance facilities, copper facilities may be used between the adjacent collocation arrangement and the central office demarcation point.
- 5.4.1 Dual Entrance. BellSouth will provide at least two interconnection points at each Premises where there are at least two such interconnection points available and where capacity exists. Upon receipt of a request for physical collocation under this Attachment, BellSouth shall provide <<customer_name>> with information regarding BellSouth's capacity to accommodate dual entrance facilities. If conduit in the serving manhole(s) is available and is not reserved for another purpose for utilization within 12 months of the receipt of an application for collocation, BellSouth will make the requested conduit space available for installing a second entrance facility to <<customer_name>>'s arrangement. The location of the serving manhole(s) will be determined at the sole discretion of BellSouth. Where dual entrance is not available due to lack of capacity, BellSouth will so state in the Application Response.
- 5.4.2 Shared Use. <<customer_name>> may utilize spare capacity on an existing interconnector entrance facility for the purpose of providing an entrance facility to <<customer_name>>'s collocation arrangement within the same BellSouth Premises. BellSouth shall allow the splice, provided that the fiber is non-working fiber.

<<customer_name>> must arrange with BellSouth for BellSouth to splice the <<customer_name>> provided riser cable to the spare capacity on the entrance facility. The rates set forth in Exhibit D will apply.

- 5.5 Demarcation Point. BellSouth will designate the point(s) of demarcation between <<customer_name>>'s equipment and/or network and BellSouth's network. Each Party will be responsible for maintenance and operation of all equipment/facilities on its side of the demarcation point. For 2-wire and 4-wire connections to BellSouth's network, the demarcation point shall be a common block on the BellSouth designated conventional distributing frame. <<customer_name>> shall be responsible for providing, and a supplier certified by BellSouth ("Certified Supplier") shall be responsible for installing and properly labeling/stenciling, the common block, and necessary cabling pursuant to Section 6. For all other terminations BellSouth shall designate a demarcation point on a per arrangement basis. <<customer_name>> or its agent must perform all required maintenance to equipment/facilities on its side of the demarcation point, pursuant to Section 5.6, following, and may self-provision cross-connects that may be required within the Collocation Space to activate service requests. At <<customer_name>>'s option and expense, a Point of Termination ("POT") bay or frame may be placed in the Collocation Space, but will not serve as the demarcation point. <<customer_name>> must make arrangements with a Certified Supplier for such placement.
- 5.6 <<customer_name>>'s Equipment and Facilities. <<customer_name>>, or if required by this Attachment, <<customer_name>>'s Certified Supplier, is solely responsible for the design, engineering, installation, testing, provisioning, performance, monitoring, maintenance and repair of the equipment and facilities used by <<customer_name>> which must be performed in compliance with all applicable BellSouth policies and guidelines. Such equipment and facilities may include but are not limited to cable(s); equipment; and point of termination connections. <<customer_name>> and its selected Certified Supplier must follow and comply with all BellSouth requirements outlined in BellSouth's TR 73503, TR 73519, TR 73572, and TR 73564.
- 5.7 BellSouth's Access to Collocation Space. From time to time BellSouth may require access to the Collocation Space. BellSouth retains the right to access such space for the purpose of making BellSouth equipment and building modifications (e.g., running, altering or removing racking, ducts, electrical wiring, HVAC, and cables). BellSouth will give notice to <<customer_name>> at least 48 hours before access to the Collocation Space is required. <<customer_name>> may elect to be present whenever BellSouth performs work in the Collocation Space. The Parties agree that <<customer_name>> will not bear any of the expense associated with this work.
- 5.8 Access. Pursuant to Section 11, <<customer_name>> shall have access to the Collocation Space twenty-four (24) hours a day, seven (7) days a week. <<customer_name>> agrees to provide the name and social security number or date of birth or driver's license number of each employee, contractor, or agents of

- <<customer_name>> or <<customer_name>>'s Guests provided with access keys or devices ("Access Keys") prior to the issuance of said Access Keys. Key acknowledgement forms must be signed by <<customer_name>> and returned to BellSouth Access Management within 15 calendar days of <<customer_name>>'s receipt. Failure to return properly acknowledged forms will result in the holding of subsequent requests until acknowledgements are current. Access Keys shall not be duplicated under any circumstances. <<customer_name>> agrees to be responsible for all Access Keys and for the return of all said Access Keys in the possession of <<customer_name>> employees, contractors, Guests, or agents after termination of the employment relationship, contractual obligation with <<customer_name>> or upon the termination of this Attachment or the termination of occupancy of an individual collocation arrangement.
- 5.8.1 BellSouth will permit one accompanied site visit to <<customer_name>>'s designated collocation arrangement location after receipt of the Bona Fide Firm Order without charge to <<customer_name>>. <<customer_name>> must submit to BellSouth the completed Access Control Request Form for all employees or agents requiring access to the BellSouth Premises a minimum of 30 calendar days prior to the date <<customer_name>> desires access to the Collocation Space. In order to permit reasonable access during construction of the Collocation Space, <<customer_name>> may submit such a request at any time subsequent to BellSouth's receipt of the Bona Fide Firm Order. In the event <<customer_name>> desires access to the Collocation Space after submitting such a request but prior to access being approved, in addition to the first accompanied free visit, BellSouth shall permit <<customer_name>> to access the Collocation Space accompanied by a security escort at <<customer_name>>'s expense. <<customer_name>> must request escorted access at least three (3) business days prior to the date such access is desired.
- 5.9 Lost or Stolen Access Keys. <<customer_name>> shall notify BellSouth in writing within 24 hours of becoming aware in the case of lost or stolen Access Keys. Should it become necessary for BellSouth to re-key buildings or deactivate a card as a result of a lost Access Key(s) or for failure to return an Access Key(s), <<customer_name>> shall pay for all reasonable costs associated with the re-keying or deactivating the card.
- 5.10 Interference or Impairment. Notwithstanding any other provisions of this Attachment, <<customer_name>> shall not use any product or service provided under this Agreement, any other service related thereto or used in combination therewith, or place or use any equipment or facilities in any manner that 1) significantly degrades, interferes with or impairs service provided by BellSouth or by any other entity or any person's use of its telecommunications service; 2) endangers or damages the equipment, facilities or other property of BellSouth or of any other entity or person; 3) compromises the privacy of any communications; or 4) creates an unreasonable risk of injury or death to any individual or to the public. If BellSouth reasonably determines that any equipment or facilities of <<customer_name>> violates the

- provisions of this paragraph, BellSouth shall give written notice to <<customer_name>>, which notice shall direct <<customer_name>> to cure the violation within forty-eight (48) hours of <<customer_name>>'s actual receipt of written notice or, at a minimum, to commence curative measures within 24 hours and to exercise reasonable diligence to complete such measures as soon as possible thereafter. After receipt of the notice, the Parties agree to consult immediately and, if necessary, to inspect the arrangement.
- 5.10.1 Except in the case of the deployment of an advanced service which significantly degrades the performance of other advanced services or traditional voice band services, if <<customer_name>> fails to take curative action within 48 hours or if the violation is of a character which poses an immediate and substantial threat of damage to property, injury or death to any person, or any other significant degradation, interference or impairment of BellSouth's or another entity's service, then and only in that event BellSouth may take such action as it deems appropriate to correct the violation, including without limitation the interruption of electrical power to <<customer_name>>'s equipment. BellSouth will endeavor, but is not required, to provide notice to <<customer_name>> prior to taking such action and shall have no liability to <<customer_name>> for any damages arising from such action, except to the extent that such action by BellSouth constitutes willful misconduct.
- 5.10.2 For purposes of this Section, the term significantly degrade shall mean an action that noticeably impairs a service from a user's perspective. In the case of the deployment of an advanced service which significantly degrades the performance of other advanced services or traditional voice band services and <<customer_name>> fails to take curative action within 48 hours then BellSouth will establish before the relevant Commission that the technology deployment is causing the significant degradation. Any claims of network harm presented to <<customer_name>> or, if subsequently necessary, the relevant Commission, must be supported with specific and verifiable information. Where BellSouth demonstrates that a deployed technology is significantly degrading the performance of other advanced services or traditional voice band services, <<customer_name>> shall discontinue deployment of that technology and migrate its customers to technologies that will not significantly degrade the performance of other such services. Where the only degraded service itself is a known disturber, and the newly deployed technology satisfies at least one of the criteria for a presumption that is acceptable for deployment under section 47 C.F.R. 51.230, the degraded service shall not prevail against the newly-deployed technology.
- 5.11 Personalty and its Removal. Facilities and equipment placed by <<customer_name>> in the Collocation Space shall not become a part of the Collocation Space, even if nailed, screwed or otherwise fastened to the Collocation Space, but shall retain their status as personal property and may be removed by <<customer_name>> at any time. Any damage caused to the Collocation Space by <<customer_name>>'s employees, agents or representatives during the removal of such property shall be promptly repaired by <<customer_name>> at its expense.

5.12 Alterations. In no case shall <<customer_name>> or any person acting on behalf of <<customer_name>> make any rearrangement, modification, improvement, addition, or other alteration which could affect in any way space, power, HVAC, and/or safety considerations to the Collocation Space or the BellSouth Premises without the written consent of BellSouth, which consent shall not be unreasonably withheld. The cost of any such specialized alterations shall be paid by <<customer_name>>. Any such material rearrangement, modification, improvement, addition, or other alteration shall require a Subsequent Application and Subsequent Application Fee.

5.13 Janitorial Service. <<customer_name>> shall be responsible for the general upkeep of the Collocation Space. <<customer_name>> shall arrange directly with a BellSouth Certified Contractor for janitorial services applicable to Caged Collocation Space. BellSouth shall provide a list of such contractors on a site-specific basis upon request.

6. Ordering and Preparation of Collocation Space

6.1 Should any state or federal regulatory agency impose procedures or intervals applicable to <<customer_name>> that are different from procedures or intervals set forth in this section, whether now in effect or that become effective after execution of this Agreement, those procedures or intervals shall supersede the requirements set forth herein for that jurisdiction for all applications submitted for the first time after the effective date thereof.

6.2 Initial Application. For <<customer_name>> or <<customer_name>>'s Guest(s) initial equipment placement, <<customer_name>> shall submit to BellSouth a Physical Expanded Interconnection Application Document ("Application"). The Application is Bona Fide when it is complete and accurate, meaning that all required fields on the application are completed with the appropriate type of information. An application fee will apply.

6.3 Subsequent Application. In the event <<customer_name>> or <<customer_name>>'s Guest(s) desires to modify the use of the Collocation Space after Bona Fide Firm Order, <<customer_name>> shall complete an Application detailing all information regarding the modification to the Collocation Space ("Subsequent Application"). BellSouth shall determine what modifications, if any, to the Premises are required to accommodate the change requested by <<customer_name>> in the Application. Such necessary modifications to the Premises may include, but are not limited to, floor loading changes, changes necessary to meet HVAC requirements, changes to power plant requirements, equipment additions, etc.

6.3.1 Subsequent Application Fee. The application fee paid by <<customer_name>> for its request to modify the use of the Collocation Space shall be dependent upon the level of assessment needed for the modification requested. Where the Subsequent

Application does not require assessment for provisioning or construction work by BellSouth, no Subsequent Application fee will be required. The fee for a Subsequent Application where the modification requested has limited effect (e.g., requires limited assessment and no capital expenditure by BellSouth) shall be the Subsequent Application Fee as set forth in Exhibit D. If the modification requires capital expenditure assessment, a full Application Fee shall apply. The Subsequent Application is Bona Fide when it is complete and accurate, meaning that all required fields on the Application are completed with the appropriate type of information.

6.4 Space Availability Notification.

- 6.4.1 Unless otherwise specified, BellSouth will respond to an application within ten (10) calendar days (In Mississippi, ten (10) business days) as to whether space is available or not available within a BellSouth Premises. BellSouth will also respond as to whether the Application is Bona Fide and if it is not Bona Fide the items necessary to cause the Application to become Bona Fide. With the exception of Georgia, this interval excludes National Holidays. If the amount of space requested is not available, BellSouth will notify <<customer_name>> of the amount of space that is available and no Application Fee shall apply. When BellSouth's response includes an amount of space less than that requested by <<customer_name>>, or differently configured, <<customer_name>> must resubmit its Application to reflect the actual space available.
- 6.4.2 BellSouth will respond to a Florida Application within fifteen (15) calendar days as to whether space is available or not available within a BellSouth Premises. BellSouth will also respond as to whether the Application is Bona Fide and if it is not Bona Fide the items necessary to cause the Application to become Bona Fide. If a lesser amount of space than requested is available, BellSouth will provide an Application Response for the amount of space that is available and an Application Fee will be assessed. When BellSouth's Application Response includes an amount of space less than that requested by <<customer_name>> or differently configured, <<customer_name>> must amend its Application to reflect the actual space available prior to submitting Bona Fide Firm Order.
- 6.4.3 BellSouth will respond to a Louisiana Application within ten (10) calendar days for space availability for one (1) to ten (10) Applications; fifteen (15) calendar days for eleven (11) to twenty (20) Applications; and for more than twenty (20) Applications, it is increased by five (5) calendar days for every five additional Applications received within five (5) business days. If the amount of space requested is not available, BellSouth will notify <<customer_name>> of the amount of space that is available and no Application Fee shall apply. When BellSouth's response includes an amount of space less than that requested by <<customer_name>> or differently configured, <<customer_name>> must resubmit its Application to reflect the actual space available. BellSouth will also respond as to whether the Application is Bona Fide and if it is not Bona Fide the items necessary to cause the Application to become Bona Fide.

- 6.5 Denial of Application. If BellSouth notifies <<customer_name>> that no space is available (“Denial of Application”), BellSouth will not assess an Application Fee. After notifying <<customer_name>> that BellSouth has no available space in the requested Premises, BellSouth will allow <<customer_name>>, upon request, to tour the entire Premises within ten (10) calendar days of such Denial of Application. In order to schedule said tour within ten (10) calendar days, the request for a tour of the Premises must be received by BellSouth within five (5) calendar days of the Denial of Application. In Mississippi, the above intervals shall be in business days.
- 6.6 Filing of Petition for Waiver. Upon Denial of Application BellSouth will timely file a petition with the Commission pursuant to 47 U.S.C. § 251(c)(6). BellSouth shall provide to the Commission any information requested by that Commission. Such information shall include which space, if any, BellSouth or any of BellSouth’s affiliates have reserved for future use and a detailed description of the specific future uses for which the space has been reserved. Subject to an appropriate nondisclosure agreement or provision, BellSouth shall permit <<customer_name>> to inspect any floor plans or diagrams that BellSouth provides to the Commission.
- 6.7 Waiting List. On a first-come, first-served basis governed by the date of receipt of an Application or Letter of Intent, BellSouth will maintain a waiting list of requesting carriers who have either received a Denial of Application or, where it is publicly known that the Premises is out of space, have submitted a Letter of Intent to collocate. BellSouth will notify the telecommunications carriers on the waiting list that can be accommodated by the amount of space that becomes available according to the position of the telecommunications carriers on said waiting list.
- 6.7.1 In Florida, on a first-come, first-served basis governed by the date of receipt of an Application or Letter of Intent, BellSouth will maintain a waiting list of requesting carriers who have either received a Denial of Application or, where it is publicly known that the Premises is out of space, have submitted a Letter of Intent to collocate. Sixty (60) days prior to space becoming available, if known, BellSouth will notify the Florida PSC and the telecommunications carriers on the waiting list by mail when space becomes available according to the position of telecommunications carrier on said waiting list. If not known sixty (60) days in advance, BellSouth shall notify the Florida PSC and the telecommunications carriers on the waiting list within two days of the determination that space is available. A CLEC that, upon denial of physical collocation, requests virtual collocation shall be automatically placed on the waiting list.
- 6.7.2 When space becomes available, <<customer_name>> must submit an updated, complete, and correct Application to BellSouth within 30 calendar days (in Mississippi, 30 business days) of such notification. If <<customer_name>> has originally requested caged collocation space and cageless collocation space becomes available, <<customer_name>> may refuse such space and notify BellSouth in writing within that time that <<customer_name>> wants to maintain its place on the waiting list without accepting such space. <<customer_name>> may accept an

- amount of space less than its original request by submitting an Application as set forth above, and upon request, may maintain its position on the waiting list for the remaining space that was initially requested. If <<customer_name>> does not submit such an Application or notify BellSouth in writing as described above, BellSouth will offer such space to the next CLEC on the waiting list and remove <<customer_name>> from the waiting list. Upon request, BellSouth will advise <<customer_name>> as to its position on the list.
- 6.8 Public Notification. BellSouth will maintain on its Interconnection Services website a notification document that will indicate all Central Offices that are without available space. BellSouth shall update such document within ten (10) calendar days (in Mississippi, 10 business days) of the Denial of Application due to Space Exhaust. BellSouth will also post a document on its Interconnection Services website that contains a general notice where space has become available in a Central Office previously on the space exhaust list.
- 6.9 Application Response.
- 6.9.1 In Alabama, Kentucky, North Carolina, and Tennessee, when space has been determined to be available, BellSouth will provide a written response (“Application Response”) within twenty-three (23) business days of the receipt of a Bona Fide Application, which will include, at a minimum, the configuration of the space, the Cable Installation Fee, Cable Records Fee, and the space preparation fees, as described in Section 8.
- 6.9.2 Except as otherwise provided, for all States that have ordered provisioning intervals but not application response intervals, BellSouth will provide a written response (“Application Response”) within thirty (30) calendar days of receipt of a Bona Fide Application. The Application Response will include, at a minimum, the configuration of the space, the Cable Installation Fee, Cable Records Fee, and the space preparation fees, as described in Section 8. When multiple applications are submitted in a state within a fifteen (15) calendar day window, BellSouth will respond to the Bona Fide Applications as soon as possible, but no later than the following: within thirty (30) calendar days for Bona Fide Applications one (1) to five (5); within thirty-six (36) calendar days for Bona Fide Applications six (6) to ten (10); within forty-two (42) calendar days for Bona Fide Applications eleven (11) to fifteen (15). Response intervals for multiple Bona Fide Applications submitted within the same timeframe for the same state in excess of fifteen (15) must be negotiated. All negotiations shall consider the total volume from all requests from telecommunications companies for collocation.
- 6.9.3 In Florida, within fifteen (15) calendar days of receipt of a Bona Fide Application, when space has been determined to be available or when a lesser amount of space than that requested is available, then with respect to the space available, BellSouth will provide a written response (“Application Response”) including sufficient information to enable <<customer_name>> to place a Firm Order. The Application

- Response will include, at a minimum, the configuration of the space, the Cable Installation Fee, Cable Records Fee, and the space preparation fees, as described in Section 8. When <<customer_name>> submits ten (10) or more Applications within ten (10) calendar days, the initial fifteen (15) day response period will increase by ten (10) days for every additional ten (10) Applications or fraction thereof.
- 6.9.4 In Georgia, when space has been determined to be available for caged or cageless arrangements, BellSouth will provide a written response (“Application Response”) within thirty (30) calendar days of receipt of a Bona Fide Application. The Application Response will include, at a minimum, the configuration of the space, the Cable Installation Fee, Cable Records Fee, and the space preparation fees, as described in Section 8.
- 6.9.5 In Mississippi, when space has been determined to be available, BellSouth will provide a written response (“Application Response”) within thirty (30) business days of receipt of a Bona Fide Application. The Application Response will include, at a minimum, the configuration of the space, the Cable Installation Fee, Cable Records Fee, and the space preparation fees, as described in Section 8. When multiple applications are submitted in a state within a fifteen (15) business day window, BellSouth will respond to the Bona Fide Applications as soon as possible, but no later than the following: within thirty (30) business days for Bona Fide Applications one (1) to five (5); within thirty-six (36) business days for Bona Fide Applications six (6) to ten (10); within forty-two (42) business days for Bona Fide Applications eleven (11) to fifteen (15). Response intervals for multiple Bona Fide Applications submitted within the same timeframe for the same state in excess of fifteen (15) must be negotiated. All negotiations shall consider the total volume from all requests from telecommunications companies for collocation.
- 6.9.6 In Louisiana, when space has been determined to be available, BellSouth will provide a written response (“Application Response”) within thirty (30) calendar days for one (1) to ten (10) Applications; thirty-five (35) calendar days for eleven (11) to twenty (20) Applications; and for requests of more than twenty (20) Application it is increased by five (5) calendar days for every five (5) Applications received within five (5) business days. The Application Response will include, at a minimum, the configuration of the space, the Cable Installation Fee, Cable Records Fee, and the space preparation fees, as described in Section 8.
- 6.10 Application Modifications.
- 6.10.1 If a modification or revision is made to any information in the Bona Fide Application prior to Bona Fide Firm Order, with the exception of modifications to Customer Information, Contact Information or Billing Contact Information, either at the request of <<customer_name>> or necessitated by technical considerations, said Application shall be considered a new Application and shall be handled as a new Application with respect to response and provisioning intervals and BellSouth may charge <<customer_name>> an application fee. Where the Application Modification does

not require assessment for provisioning or construction work by BellSouth, no application fee will be required. The fee for an Application Modification where the modification requested has limited effect (e.g., requires limited assessment and no capital expenditure by BellSouth) shall be the Subsequent Application Fee as set forth in Exhibit D. Major changes such as requesting additional space or adding equipment may require <<customer_name>> to submit the Application with an Application Fee.

6.11 Bona Fide Firm Order.

- 6.11.1 In Alabama, Kentucky, North Carolina, and Tennessee, <<customer_name>> shall indicate its intent to proceed with equipment installation in a BellSouth Premises by submitting a Physical Expanded Interconnection Firm Order document (“Firm Order”) to BellSouth. A Firm Order shall be considered Bona Fide when <<customer_name>> has completed the Application/Inquiry process described in Section 6.2, preceding, and has submitted the Firm Order document indicating acceptance of the Application Response provided by BellSouth. The Bona Fide Firm Order must be received by BellSouth no later than five (5) business days after BellSouth’s Application Response to <<customer_name>>’s Bona Fide Application.
- 6.11.2 Except as otherwise provided, in all States that have ordered provisioning intervals but not addressed Firm Order intervals, the following shall apply. <<customer_name>> shall indicate its intent to proceed with equipment installation in a BellSouth Premises by submitting a Firm Order to BellSouth. The Bona Fide Firm Order must be received by BellSouth no later than thirty (30) calendar days after BellSouth’s Application Response to <<customer_name>>’s Bona Fide Application or the Application will expire.
- 6.11.3 In Mississippi, <<customer_name>> shall indicate its intent to proceed with equipment installation in a BellSouth Premises by submitting a Firm Order to BellSouth. The Bona Fide Firm Order must be received by BellSouth no later than thirty (30) business days after BellSouth’s Application Response to <<customer_name>>’s Bona Fide Application or the Application will expire.
- 6.11.4 BellSouth will establish a firm order date based upon the date BellSouth is in receipt of a Bona Fide Firm Order. BellSouth will acknowledge the receipt of <<customer_name>>’s Bona Fide Firm Order within seven (7) calendar days of receipt indicating that the Bona Fide Firm Order has been received. A BellSouth response to a Bona Fide Firm Order will include a Firm Order Confirmation containing the firm order date. No revisions will be made to a Bona Fide Firm Order.

7. Construction and Provisioning

7.1 Construction and Provisioning Intervals

- 7.1.1 In Alabama (Caged Only), Kentucky, North Carolina and Tennessee, BellSouth will complete construction for collocation arrangements within seventy-six (76) business

- days from receipt of an Application or as agreed to by the Parties. Under extraordinary conditions, BellSouth will complete construction for collocation arrangements within ninety-one (91) business days. Examples of extraordinary conditions include, but are not limited to, extended license or permitting intervals; major BellSouth equipment rearrangement or addition; power plant addition or upgrade; major mechanical addition or upgrade; major upgrade for ADA compliance; environmental hazard or hazardous materials abatement; and arrangements for which equipment shipping intervals are extraordinary in length. In the event <<customer_name>> submits a forecast as described in the following section three (3) months or more prior to the application date, the above intervals shall apply. In the event <<customer_name>> submits such a forecast between two (2) months and three (3) months prior to the application date, the above intervals may be extended by one (1) additional month. In the event <<customer_name>> submits such a forecast less than two (2) months prior to the application date, the above intervals may be extended by sixty (60) calendar days. BellSouth will attempt to meet standard intervals for unforecasted requests and any interval adjustments will be discussed with <<customer_name>> at the time the application is received. Raw space, which is space lacking the necessary infrastructure to provide collocation space including but not limited to HVAC, Power, etc.), conversion time frames fall outside the normal intervals and are negotiated on an individual case basis. Additionally, installations to existing collocation arrangements for line sharing or line splitting, which include adding cable, adding cable and splitter, and adding a splitter, will be forty five (45) business days from receipt of an Application.
- 7.1.1.1 To be considered a timely and accurate forecast, <<customer_name>> must submit to BellSouth the CLEC Forecast Form, as set forth in exhibit C attached hereto, containing the following information: Central Office/Serving Wire Center CLLI, number of Caged square feet and/or Cageless bays, number of DS0, DS1, DS3 frame terminations, number of fused amps and planned application date.
- 7.1.2 In Alabama, BellSouth will complete construction for cageless collocation arrangements under ordinary conditions as soon as possible and within a maximum of sixty (60) calendar days from receipt of a Bona Fide Firm Order and ninety (90) calendar days for extraordinary conditions or as agreed to by the Parties. Ordinary conditions are defined as space available with only minor changes to support systems required, such as but not limited to, HVAC, cabling and the power plant(s). Extraordinary conditions are defined to include but are not limited to major BellSouth equipment rearrangement or addition; power plant addition or upgrade; major mechanical addition or upgrade; major upgrade for ADA compliance; environmental hazard or hazardous materials abatement; and arrangements for which equipment shipping intervals are extraordinary in length. The Parties may mutually agree to renegotiate an alternative provisioning interval or BellSouth may seek a waiver from this interval from the Commission.
- 7.1.3 In Florida, BellSouth will complete construction for collocation arrangements as soon as possible and within a maximum of ninety (90) calendar days from receipt of a Bona Fide Firm Order or as agreed to by the Parties. For changes to collocation space

- after initial space completion (“Augmentation”), BellSouth will complete construction for collocation arrangements as soon as possible and within a maximum of forty-five (45) calendar days from receipt of a Bona Fide Firm Order or as agreed to by the Parties. If BellSouth does not believe that construction will be completed within the relevant time frame and BellSouth and <<customer_name>> cannot agree upon a completion date, within forty-five (45) calendar days of receipt of the Bona Fide Firm Order for an initial request, and within thirty (30) calendar days for Augmentations, BellSouth may seek an extension from the Florida PSC.
- 7.1.4 In Georgia, BellSouth will complete construction for caged collocation arrangements under ordinary conditions as soon as possible and within a maximum of ninety (90) calendar days from receipt of a Bona Fide Firm Order or as agreed to by the Parties. BellSouth will complete construction for cageless collocation arrangements under ordinary conditions as soon as possible and within a maximum of sixty (60) calendar days from receipt of a Bona Fide Firm Order and ninety (90) calendar days for extraordinary conditions or as agreed to by the Parties. Ordinary conditions are defined as space available with only minor changes to support systems required, such as but not limited to, HVAC, cabling and the power plant(s). Extraordinary conditions are defined to include but are not limited to major BellSouth equipment rearrangement or addition; power plant addition or upgrade; major mechanical addition or upgrade; major upgrade for ADA compliance; environmental hazard or hazardous materials abatement; and arrangements for which equipment shipping intervals are extraordinary in length. The Parties may mutually agree to renegotiate an alternative provisioning interval or BellSouth may seek a waiver from this interval from the Commission.
- 7.1.5 In Louisiana, BellSouth will complete construction for collocation arrangements under ordinary conditions as soon as possible and within a maximum of ninety (90) calendar days from receipt of a Bona Fide Firm Order for an initial request, and within sixty (60) calendar days for an Augmentation, or as agreed to by the Parties. Ordinary conditions are defined as space available with only minor changes to support systems required, such as but not limited to, HVAC, cabling and the power plant(s). BellSouth will complete construction of all other Collocation Space ("extraordinary conditions") within one hundred twenty (120) calendar days of the receipt of a Bona Fide Firm Order. Examples of extraordinary conditions include but are not limited to, extended license or permitting intervals; major BellSouth equipment rearrangement or addition; power plant addition or upgrade; major mechanical addition or upgrade; major upgrade for ADA compliance; environmental hazard or hazardous materials abatement; and arrangements for which equipment shipping intervals are extraordinary in length. The Parties may mutually agree to renegotiate an alternative provisioning interval or BellSouth may seek a waiver from this interval from the Commission.
- 7.1.6 In Mississippi, excluding the time interval required to secure the appropriate government licenses and permits, BellSouth will complete construction for collocation arrangements under ordinary conditions as soon as possible and within a maximum of one hundred twenty (120) calendar days from receipt of a Bona Fide

- Firm Order or as agreed to by the Parties. Ordinary conditions are defined as space available with only minor changes to support systems required, such as but not limited to, HVAC, cabling and the power plant(s). Excluding the time interval required to secure the appropriate government licenses and permits, BellSouth will complete construction of all other Collocation Space ("extraordinary conditions") within one hundred eighty (180) calendar days of the receipt of a Bona Fide Firm Order. Examples of extraordinary conditions include but are not limited to, extended license or permitting intervals; major BellSouth equipment rearrangement or addition; power plant addition or upgrade; major mechanical addition or upgrade; major upgrade for ADA compliance; environmental hazard or hazardous materials abatement; and arrangements for which equipment shipping intervals are extraordinary in length. The Parties may mutually agree to renegotiate an alternative provisioning interval or BellSouth may seek a waiver from this interval from the Commission.
- 7.1.7 In South Carolina, BellSouth will complete the construction and provisioning activities for cageless and caged collocation arrangements as soon as possible, but no later than ninety (90) calendar days from receipt of a bona fide firm order. The Parties may mutually agree to renegotiate an alternative provisioning interval or BellSouth may seek a waiver from this interval from the Commission.
- 7.2 Joint Planning. Joint planning between BellSouth and <<customer_name>> will commence within a maximum of twenty (20) calendar days from BellSouth's receipt of a Bona Fide Firm Order. BellSouth will provide the preliminary design of the Collocation Space and the equipment configuration requirements as reflected in the Bona Fide Application and affirmed in the Bona Fide Firm Order. The Collocation Space completion time period will be provided to <<customer_name>> during joint planning.
- 7.3 Permits. Each Party or its agents will diligently pursue filing for the permits required for the scope of work to be performed by that Party or its agents within ten (10) calendar days of the completion of finalized construction designs and specifications.
- 7.4 Acceptance Walk Through. <<customer_name>> will schedule and complete an acceptance walkthrough of each Collocation Space with BellSouth within fifteen (15) days of BellSouth's notifying <<customer_name>> that the collocation space is ready for occupancy. In the event that <<customer_name>> fails to complete an acceptance walkthrough within this fifteen (15) day interval, the Collocation Space shall be deemed accepted by <<customer_name>>. BellSouth will correct any deviations to <<customer_name>>'s original or jointly amended requirements within seven (7) calendar days after the walk through, unless the Parties jointly agree upon a different time frame.
- 7.5 Use of BellSouth Certified Supplier. <<customer_name>> shall select a supplier which has been approved as a BellSouth Certified Supplier to perform all engineering and installation work. <<customer_name>> and <<customer_name>>'s BellSouth Certified Supplier must follow and comply with all BellSouth requirements outlined

in BellSouth's TR 73503, TR 73519, TR 73572, and TR 73564. In some cases, <<customer_name>> must select separate BellSouth Certified Suppliers for transmission equipment, switching equipment and power equipment. BellSouth shall provide <<customer_name>> with a list of BellSouth Certified Suppliers upon request. The BellSouth Certified Supplier(s) shall be responsible for installing <<customer_name>>'s equipment and components, extending power cabling to the BellSouth power distribution frame, performing operational tests after installation is complete, and notifying BellSouth's equipment engineers and <<customer_name>> upon successful completion of installation, etc. The BellSouth Certified Supplier shall bill <<customer_name>> directly for all work performed for <<customer_name>> pursuant to this Attachment and BellSouth shall have no liability for nor responsibility to pay such charges imposed by the BellSouth Certified Supplier. BellSouth shall consider certifying <<customer_name>> or any supplier proposed by <<customer_name>>. All work performed by or for <<customer_name>> shall conform to generally accepted industry guidelines and standards.

- 7.6 Alarm and Monitoring. BellSouth shall place environmental alarms in the Premises for the protection of BellSouth equipment and facilities. <<customer_name>> shall be responsible for placement, monitoring and removal of environmental and equipment alarms used to service <<customer_name>>'s Collocation Space. Upon request, BellSouth will provide <<customer_name>> with applicable tariffed service(s) to facilitate remote monitoring of collocated equipment by <<customer_name>>. Both Parties shall use best efforts to notify the other of any verified environmental condition known to that Party.
- 7.7 Virtual to Physical Collocation Relocation. In the event physical collocation space was previously denied at a location due to technical reasons or space limitations, and physical collocation space has subsequently become available, <<customer_name>> may relocate its virtual collocation arrangements to physical collocation arrangements and pay the appropriate fees for physical collocation and for the rearrangement or reconfiguration of services terminated in the virtual collocation arrangement, as outlined in the appropriate BellSouth tariffs. In the event that BellSouth knows when additional space for physical collocation may become available at the location requested by <<customer_name>>, such information will be provided to <<customer_name>> in BellSouth's written denial of physical collocation. To the extent that (i) physical Collocation Space becomes available to <<customer_name>> within 180 calendar days of BellSouth's written denial of <<customer_name>>'s request for physical collocation, (ii) BellSouth had knowledge that the space was going to become available, and (iii) <<customer_name>> was not informed in the written denial that physical Collocation Space would become available within such 180 calendar days, then <<customer_name>> may relocate its virtual collocation arrangement to a physical collocation arrangement and will receive a credit for any nonrecurring charges previously paid for such virtual collocation. <<customer_name>> must arrange with a BellSouth Certified Supplier for the

relocation of equipment from its virtual Collocation Space to its physical Collocation Space and will bear the cost of such relocation.

- 7.8 **Cancellation.** If, at anytime prior to space acceptance, <<customer_name>> cancels its order for the Collocation Space(s) (“Cancellation”), BellSouth will bill the applicable non-recurring rate for any and all work processes for which work has begun. In Georgia, if <<customer_name>> cancels its order for Collocation Space at any time prior to space acceptance, BellSouth will bill <<customer_name>> for all costs incurred prior to the date of Cancellation and for any costs incurred as a direct result of the Cancellation, not to exceed the total amount that would have been due had the order not been cancelled.
- 7.9 **Licenses.** <<customer_name>>, at its own expense, will be solely responsible for obtaining from governmental authorities, and any other appropriate agency, entity, or person, all rights, privileges, and licenses necessary or required to operate as a provider of telecommunications services to the public or to occupy the Collocation Space.
- 7.10 **Environmental Compliance.** The Parties agree to utilize and adhere to the Environmental Hazard Guidelines identified as Exhibit A attached hereto.
- 7.11 The intervals as set forth above are as depicted in Exhibit B of this Attachment.

8. Rates and Charges

- 8.1 BellSouth shall assess an Application Fee via a service order which shall be issued at the time BellSouth responds that space is available pursuant to Section 2. Payment of said Application Fee will be due as dictated by <<customer_name>>’s current billing cycle and is non-refundable.
- 8.2 **Space Preparation**
- 8.2.1 **Recurring Charges.** The recurring charges for space preparation begin on the Space Ready Date or the day <<customer_name>> occupies the collocation space, whichever occurs first.
- 8.2.2 Space preparation fees consist of a nonrecurring charge for Firm Order Processing and monthly recurring charges for Central Office Modifications, assessed per arrangement, per square foot, and Common Systems Modifications, assessed per arrangement, per square foot for cageless collocation and per cage for caged collocation. <<customer_name>> shall remit payment of the nonrecurring Firm Order Processing Fee coincident with submission of a Bona Fide Firm Order. The charges recover the costs associated with preparing the Collocation Space, which includes survey, engineering of the Collocation Space, design and modification costs for network, building and support systems. In the event <<customer_name>> opts for cageless space, the space preparation fees will be assessed based on the total floor space dedicated to <<customer_name>> as prescribed in this Section 8.

- 8.2.3 Space Preparation Fee (Florida). Space preparation fees include a nonrecurring charge for Firm Order Processing and monthly recurring charges for Central Office Modifications, assessed per arrangement, per square foot, and Common Systems Modifications, assessed per arrangement, per square foot for cageless and per cage for caged collocation. <<customer_name>> shall remit payment of the nonrecurring Firm Order Processing Fee coincident with submission of a Bona Fide Firm Order. The charges recover the costs associated with preparing the Collocation Space, which includes survey, engineering of the Collocation Space, design and modification costs for network, building and support systems. In the event <<customer_name>> opts for cageless space, space preparation fees will be assessed based on the total floor space dedicated to <<customer_name>> as prescribed in this Section 8.
- 8.2.4 Space Preparation Fee (Georgia). In Georgia, the Space Preparation Fee is a one-time fee, assessed per arrangement, per location. It recovers a portion of costs associated with preparing the Collocation Space, which includes survey, engineering of the Collocation Space, design and modification costs for network, power, building and support systems. This is a set fee of \$100 per square foot as established by the Georgia Public Service Commission Order in Docket No. 7061-U. In the event <<customer_name>> opts for non-enclosed space, the space preparation fee will be assessed based on the total floor space dedicated to <<customer_name>> as prescribed in this Section 8 and will be billed based upon <<customer_name>>'s first billing cycle after Firm Order.
- 8.2.5 Space Preparation Fee (North Carolina). In North Carolina, space preparation fees consist of monthly recurring charges for Central Office Modifications, assessed per arrangement, per square foot; Common Systems Modifications, assessed per arrangement, per square foot for cageless and per cage for caged collocation; and Power, assessed per the nominal -48V DC ampere requirements specified by <<customer_name>> on the Bona Fide Application. The charges recover the costs associated with preparing the Collocation Space, which includes survey, engineering of the Collocation Space, design and modification costs for network, building and support systems. In the event <<customer_name>> opts for cageless space, the space preparation fees will be assessed based on the total floor space dedicated to <<customer_name>> as described in this Section 8.
- 8.3 Cable Installation. Cable Installation Fee(s) are assessed per entrance cable placed.
- 8.4 Floor Space. The Floor Space Charge includes reasonable charges for lighting, HVAC, and other allocated expenses associated with maintenance of the Premises but does not recover any power-related costs incurred by BellSouth. When the Collocation Space is enclosed, <<customer_name>> shall pay floor space charges based upon the number of square feet so enclosed. When the Collocation Space is not enclosed, <<customer_name>> shall pay floor space charges based upon the following floor space calculation: [(depth of the equipment lineup in which the rack is placed) + (0.5 x maintenance aisle depth) + (0.5 x wiring aisle depth)] X (width of rack and spacers). For purposes of this calculation, the depth of the equipment lineup shall consider the footprint of equipment racks plus any equipment overhang.

- BellSouth will assign unenclosed Collocation Space in conventional equipment rack lineups where feasible. In the event <<customer_name>>'s collocated equipment requires special cable racking, isolated grounding or other treatment which prevents placement within conventional equipment rack lineups, <<customer_name>> shall be required to request an amount of floor space sufficient to accommodate the total equipment arrangement. Floor space charges begin on the Space Ready Date , or on the date <<customer_name>> first occupies the Collocation Space, whichever is sooner.
- 8.5 Power. BellSouth shall make available -48 Volt (-48V) DC power for <<customer_name>>'s Collocation Space at a BellSouth Power Board or BellSouth Battery Distribution Fuse Bay ("BDFB") at <<customer_name>>'s option within the Premises.
- 8.5.1 Recurring charges for -48V DC power will be assessed per ampere per month based upon the BellSouth Certified Supplier engineered and installed power feed fused ampere capacity. Rates include redundant feeder fuse positions (A&B) and common cable rack to <<customer_name>>'s equipment or space enclosure. Recurring power charges begin on the Space Ready Date , or on the date <<customer_name>> first occupies the Collocation Space, whichever is sooner. When obtaining power from a BDFB, fuses and power cables (A&B) must be engineered (sized), and installed by <<customer_name>>'s BellSouth Certified Supplier. When obtaining power from a BellSouth power board, power cables (A&B) must be engineered (sized), and installed by <<customer_name>>'s BellSouth Certified power Supplier. <<customer_name>> is responsible for contracting with a BellSouth Certified Supplier for power distribution feeder cable runs from a BellSouth BDFB or power board to <<customer_name>>'s equipment. Determination of the BellSouth BDFB or BellSouth power board as the power source will be made at BellSouth's sole, but reasonable, discretion. The BellSouth Certified Supplier contracted by <<customer_name>> must provide BellSouth a copy of the engineering power specification prior to the day on which <<customer_name>>'s equipment becomes operational.. BellSouth will provide the common power feeder cable support structure between the BellSouth BDFB or power board and <<customer_name>>'s arrangement area. <<customer_name>> shall contract with a BellSouth Certified Supplier who will be responsible for the following: dedicated power cable support structure within <<customer_name>>'s arrangement; power cable feeds; terminations of cable. Any terminations at a BellSouth power board must be performed by a BellSouth Certified power Supplier. <<customer_name>> shall comply with all applicable National Electric Code (NEC), BellSouth TR73503, Telcordia (BellCore) and ANSI Standards regarding power cabling.
- 8.5.2 If BellSouth has not previously invested in power plant capacity for collocation at a specific site, <<customer_name>> has the option to add its own dedicated power plant; provided, however, that such work shall be performed by a BellSouth Certified Supplier who shall comply with BellSouth's guidelines and specifications. Where the addition of <<customer_name>>'s dedicated power plant results in construction of a new power plant room, upon termination of <<customer_name>>'s right to occupy

- collocation space at such site, <<customer_name>> shall have the right to remove its equipment from the power plant room, but shall otherwise leave the room intact.
- 8.5.3 If <<customer_name>> elects to install its own DC Power Plant, BellSouth shall provide AC power to feed <<customer_name>>'s DC Power Plant. Charges for AC power will be assessed per breaker ampere per month. Rates include the provision of commercial and standby AC power. When obtaining power from a BellSouth service panel, protection devices and power cables must be engineered (sized), and installed by <<customer_name>>'s BellSouth Certified Supplier except that BellSouth shall engineer and install protection devices and power cables for Adjacent Collocation. <<customer_name>>'s BellSouth Certified Supplier must also provide a copy of the engineering power specification prior to the equipment becoming operational. Charges for AC power shall be assessed pursuant to the rates specified in Exhibit D. AC power voltage and phase ratings shall be determined on a per location basis. At <<customer_name>>'s option, <<customer_name>> may arrange for AC power in an Adjacent Collocation arrangement from a retail provider of electrical power.
- 8.6 Security Escort. A security escort will be required whenever <<customer_name>> or its approved agent desires access to the entrance manhole or must have access to the Premises after the one accompanied site visit allowed pursuant to Section 5 prior to completing BellSouth's Security Training requirements. Rates for a security escort are assessed according to the schedule appended hereto as Exhibit D beginning with the scheduled escort time. BellSouth will wait for one-half (1/2) hour after the scheduled time for such an escort and <<customer_name>> shall pay for such half-hour charges in the event <<customer_name>> fails to show up.
- 8.7 Cable Record charges. These charges apply for work required to build cable records in BellSouth systems. The VG/DS0 per cable record charge is for a maximum of 3600 records. The Fiber cable record charge is for a maximum of 99 records.
- 8.8 Rate "True-Up". The Parties agree that the prices reflected as interim herein shall be "trued-up" (up or down) based on final prices either determined by further agreement or by an effective order, in a proceeding involving BellSouth before the regulatory authority for the state in which the services are being performed or any other body having jurisdiction over this Agreement (hereinafter "Commission"). Under the "true-up" process, the interim price for each service shall be multiplied by the volume of that service purchased to arrive at the total interim amount paid for that service ("Total Interim Price"). The final price for that service shall be multiplied by the volume purchased to arrive at the total final amount due ("Total Final Price"). The Total Interim Price shall be compared with the Total Final Price. If the Total Final Price is more than the Total Interim Price, <<customer_name>> shall pay the difference to BellSouth. If the Total Final Price is less than the Total Interim Price, BellSouth shall pay the difference to <<customer_name>>. Each Party shall keep its own records upon which a "true-up" can be based and any final payment from one Party to the other shall be in an amount agreed upon by the Parties based on such records. In the event of any disagreement as between the records or the Parties

regarding the amount of such “true-up,” the Parties agree that the Commission shall be called upon to resolve such differences.

- 8.9 **Other.** If no rate is identified in the contract, the rate for the specific service or function will be negotiated by the Parties upon request by either Party. Payment of all other charges under this Attachment shall be due thirty (30) calendar days after receipt of the bill (payment due date). <<customer_name>> will pay a late payment charge of the lessor of one and one half percent or the legal interest rate assessed monthly on any balance which remains unpaid after the payment due date.

9. Insurance

- 9.1 <<customer_name>> shall, at its sole cost and expense, procure, maintain, and keep in force insurance as specified in this Section 9 and underwritten by insurance companies licensed to do business in the states applicable under this Attachment and having a Best’s Insurance Rating of A-.
- 9.2 <<customer_name>> shall maintain the following specific coverage:
- 9.2.1 Commercial General Liability coverage in the amount of ten million dollars (\$10,000,000.00) or a combination of Commercial General Liability and Excess/Umbrella coverage totaling not less than ten million dollars (\$10,000,000.00). BellSouth shall be named as an Additional Insured on the Commercial General Liability policy as specified herein.
- 9.2.2 Statutory Workers Compensation coverage and Employers Liability coverage in the amount of one hundred thousand dollars (\$100,000.00) each accident, one hundred thousand dollars (\$100,000.00) each employee by disease, and five hundred thousand dollars (\$500,000.00) policy limit by disease.
- 9.2.3 All Risk Property coverage on a full replacement cost basis insuring all of <<customer_name>>’s real and personal property situated on or within BellSouth’s Central Office location(s).
- 9.2.4 <<customer_name>> may elect to purchase business interruption and contingent business interruption insurance, having been advised that BellSouth assumes no liability for loss of profit or revenues should an interruption of service occur.
- 9.3 The limits set forth in Section 9.2 above may be increased by BellSouth from time to time during the term of this Attachment upon thirty (30) days notice to <<customer_name>> to at least such minimum limits as shall then be customary with respect to comparable occupancy of BellSouth structures.
- 9.4 All policies purchased by <<customer_name>> shall be deemed to be primary and not contributing to or in excess of any similar coverage purchased by BellSouth. All insurance must be in effect on or before the date equipment is delivered to BellSouth’s Premises and shall remain in effect for the term of this Attachment or until all

<<customer_name>>'s property has been removed from BellSouth's Premises, whichever period is longer. If <<customer_name>> fails to maintain required coverage, BellSouth may pay the premiums thereon and seek reimbursement of same from <<customer_name>>.

- 9.5 <<customer_name>> shall submit certificates of insurance reflecting the coverage required pursuant to this Section a minimum of ten (10) business days prior to the commencement of any work in the Collocation Space. Failure to meet this interval may result in construction and equipment installation delays. <<customer_name>> shall arrange for BellSouth to receive thirty (30) business days' advance notice of cancellation from <<customer_name>>'s insurance company. <<customer_name>> shall forward a certificate of insurance and notice of cancellation/non-renewal to BellSouth at the following address:

BellSouth Telecommunications, Inc.
Attn.: Risk Management Coordinator
17H53 BellSouth Center
675 W. Peachtree Street
Atlanta, Georgia 30375

- 9.6 <<customer_name>> must conform to recommendations made by BellSouth's fire insurance company to the extent BellSouth has agreed to, or shall hereafter agree to, such recommendations.
- 9.7 Self-Insurance. If <<customer_name>>'s net worth exceeds five hundred million dollars (\$500,000,000), <<customer_name>> may elect to request self-insurance status in lieu of obtaining any of the insurance required in Sections 9.2.1 and 9.2.2. <<customer_name>> shall provide audited financial statements to BellSouth thirty (30) days prior to the commencement of any work in the Collocation Space. BellSouth shall then review such audited financial statements and respond in writing to <<customer_name>> in the event that self-insurance status is not granted to <<customer_name>>. If BellSouth approves <<customer_name>> for self-insurance, <<customer_name>> shall annually furnish to BellSouth, and keep current, evidence of such net worth that is attested to by one of <<customer_name>>'s corporate officers. The ability to self-insure shall continue so long as the <<customer_name>> meets all of the requirements of this Section. If the <<customer_name>> subsequently no longer satisfies this Section, <<customer_name>> is required to purchase insurance as indicated by Sections 9.2.1 and 9.2.2.
- 9.8 The net worth requirements set forth in Section 9.7 may be increased by BellSouth from time to time during the term of this Attachment upon thirty (30) days' notice to <<customer_name>> to at least such minimum limits as shall then be customary with respect to comparable occupancy of BellSouth structures.
- 9.9 Failure to comply with the provisions of this Section will be deemed a material breach of this Attachment.

10. Mechanics Liens

- 10.1 If any mechanics lien or other liens shall be filed against property of either Party (BellSouth or <<customer_name>>), or any improvement thereon by reason of or arising out of any labor or materials furnished or alleged to have been furnished or to be furnished to or for the other Party or by reason of any changes, or additions to said property made at the request or under the direction of the other Party, the other Party directing or requesting those changes shall, within thirty (30) business days after receipt of written notice from the Party against whose property said lien has been filed, either pay such lien or cause the same to be bonded off the affected property in the manner provided by law. The Party causing said lien to be placed against the property of the other shall also defend, at its sole cost and expense, on behalf of the other, any action, suit or proceeding which may be brought for the enforcement of such liens and shall pay any damage and discharge any judgment entered thereon.

11. Inspections

- 11.1 BellSouth may conduct an inspection of <<customer_name>>'s equipment and facilities in the Collocation Space(s) prior to the activation of facilities between <<customer_name>>'s equipment and equipment of BellSouth. BellSouth may conduct an inspection if <<customer_name>> adds equipment and may otherwise conduct routine inspections at reasonable intervals mutually agreed upon by the Parties. BellSouth shall provide <<customer_name>> with a minimum of forty-eight (48) hours or two (2) business days, whichever is greater, advance notice of all such inspections. All costs of such inspection shall be borne by BellSouth.

12. Security and Safety Requirements

- 12.1 <<customer_name>> will be required, at its own expense, to conduct a statewide investigation of criminal history records for each <<customer_name>> employee being considered for work on the BellSouth Premises, for the states/counties where the <<customer_name>> employee has worked and lived for the past five years. Where state law does not permit statewide collection or reporting, an investigation of the applicable counties is acceptable. <<customer_name>> shall not be required to perform this investigation if an affiliated company of <<customer_name>> has performed an investigation of the <<customer_name>> employee seeking access, if such investigation meets the criteria set forth above. This requirement will not apply if <<customer_name>> has performed a pre-employment statewide investigation of criminal history records of the <<customer_name>> employee for the states/counties where the <<customer_name>> employee has worked and lived for the past five years or, where state law does not permit a statewide investigation, an investigation of the applicable counties.
- 12.2 <<customer_name>> shall provide its employees and agents with picture identification which must be worn and visible at all times while in the Collocation

- Space or other areas in or around the Premises. The photo Identification card shall bear, at a minimum, the employee's name and photo, and the <<customer_name>> name. BellSouth reserves the right to remove from its premises any employee of <<customer_name>> not possessing identification issued by <<customer_name>> or who have violated any of BellSouth's policies as outlined in the CLEC Security Training documents. <<customer_name>> shall hold BellSouth harmless for any damages resulting from such removal of its personnel from BellSouth premises. <<customer_name>> shall be solely responsible for ensuring that any Guest of <<customer_name>> is in compliance with all subsections of this Section 12.
- 12.3 <<customer_name>> will be required to administer to their personnel assigned to the BellSouth Premises security training either provided by BellSouth, or meeting criteria defined by BellSouth.
- 12.4 <<customer_name>> shall not assign to the BellSouth Premises any personnel with records of felony criminal convictions. <<customer_name>> shall not assign to the BellSouth Premises any personnel with records of misdemeanor convictions, except for misdemeanor traffic violations, without advising BellSouth of the nature and gravity of the offense(s). BellSouth reserves the right to refuse building access to any <<customer_name>> personnel who have been identified to have misdemeanor criminal convictions. Notwithstanding the foregoing, in the event that <<customer_name>> chooses not to advise BellSouth of the nature and gravity of any misdemeanor conviction, <<customer_name>> may, in the alternative, certify to BellSouth that it shall not assign to the BellSouth Premises any personnel with records of misdemeanor convictions (other than misdemeanor traffic violations).
- 12.4.1 <<customer_name>> shall not knowingly assign to the BellSouth Premises any individual who was a former employee of BellSouth and whose employment with BellSouth was terminated for a criminal offense whether or not BellSouth sought prosecution of the individual for the criminal offense.
- 12.4.2 <<customer_name>> shall not knowingly assign to the BellSouth Premises any individual who was a former contractor of BellSouth and whose access to a BellSouth Premises was revoked due to commission of a criminal offense whether or not BellSouth sought prosecution of the individual for the criminal offense.
- 12.5 For each <<customer_name>> employee requiring access to a BellSouth Premises pursuant to this Attachment, <<customer_name>> shall furnish BellSouth, prior to an employee gaining such access, a certification that the aforementioned background check and security training were completed. The certification will contain a statement that no felony convictions were found and certifying that the security training was completed by the employee. If the employee's criminal history includes misdemeanor convictions, <<customer_name>> will disclose the nature of the convictions to BellSouth at that time. In the alternative, <<customer_name>> may certify to BellSouth that it shall not assign to the BellSouth Premises any personnel with records of misdemeanor convictions other than misdemeanor traffic violations.

- 12.6 At BellSouth's request, <<customer_name>> shall promptly remove from BellSouth's Premises any employee of <<customer_name>> BellSouth does not wish to grant access to its premises 1) pursuant to any investigation conducted by BellSouth or 2) prior to the initiation of an investigation if an employee of <<customer_name>> is found interfering with the property or personnel of BellSouth or another CLEC, provided that an investigation shall promptly be commenced by BellSouth.
- 12.7 Notification to BellSouth. BellSouth reserves the right to interview <<customer_name>>'s employees, agents, or contractors in the event of wrongdoing in or around BellSouth's property or involving BellSouth's or another CLEC's property or personnel, provided that BellSouth shall provide reasonable notice to <<customer_name>>'s Security contact of such interview. <<customer_name>> and its contractors shall reasonably cooperate with BellSouth's investigation into allegations of wrongdoing or criminal conduct committed by, witnessed by, or involving <<customer_name>>'s employees, agents, or contractors. Additionally, BellSouth reserves the right to bill <<customer_name>> for all reasonable costs associated with investigations involving its employees, agents, or contractors if it is established and mutually agreed in good faith that <<customer_name>>'s employees, agents, or contractors are responsible for the alleged act. BellSouth shall bill <<customer_name>> for BellSouth property which is stolen or damaged where an investigation determines the culpability of <<customer_name>>'s employees, agents, or contractors and where <<customer_name>> agrees, in good faith, with the results of such investigation. <<customer_name>> shall notify BellSouth in writing immediately in the event that <<customer_name>> discovers one of its employees already working on the BellSouth premises is a possible security risk. Upon request of the other Party, the Party who is the employer shall discipline consistent with its employment practices, up to and including removal from BellSouth Premises, any employee found to have violated the security and safety requirements of this section. <<customer_name>> shall hold BellSouth harmless for any damages resulting from such removal of its personnel from BellSouth premises.
- 12.8 Use of Supplies. Unauthorized use of telecommunications equipment or supplies by either Party, whether or not used routinely to provide telephone service (e.g. plug-in cards,) will be strictly prohibited and handled appropriately. Costs associated with such unauthorized use may be charged to the offending Party, as may be all associated investigative costs.
- 12.9 Use of Official Lines. Except for non-toll calls necessary in the performance of their work, neither Party shall use the telephones of the other Party on the BellSouth Premises. Charges for unauthorized telephone calls may be charged to the offending Party, as may be all associated investigative costs.
- 12.10 Accountability. Full compliance with the Security requirements of this section shall in no way limit the accountability of either Party to the other for the improper actions of its employees.

13. Destruction of Collocation Space

- 13.1 In the event a Collocation Space is wholly or partially damaged by fire, windstorm, tornado, flood or by similar causes to such an extent as to be rendered wholly unsuitable for <<customer_name>>'s permitted use hereunder, then either Party may elect within ten (10) business days after such damage, to terminate occupancy of the damaged Collocation Space, and if either Party shall so elect, by giving the other written notice of termination, both Parties shall stand released of and from further liability under the terms hereof. If the Collocation Space shall suffer only minor damage and shall not be rendered wholly unsuitable for <<customer_name>>'s permitted use, or is damaged and the option to terminate is not exercised by either Party, BellSouth covenants and agrees to proceed promptly without expense to <<customer_name>>, except for improvements not the property of BellSouth, to repair the damage. BellSouth shall have a reasonable time within which to rebuild or make any repairs, and such rebuilding and repairing shall be subject to delays caused by storms, shortages of labor and materials, government regulations, strikes, walkouts, and causes beyond the control of BellSouth, which causes shall not be construed as limiting factors, but as exemplary only. <<customer_name>> may, at its own expense, accelerate the rebuild of its collocated space and equipment provided however that a BellSouth Certified Contractor is used and the necessary space preparation has been completed. Rebuild of equipment must be performed by a BellSouth Certified Vendor. If <<customer_name>>'s acceleration of the project increases the cost of the project, then those additional charges will be incurred by <<customer_name>>. Where allowed and where practical, <<customer_name>> may erect a temporary facility while BellSouth rebuilds or makes repairs. In all cases where the Collocation Space shall be rebuilt or repaired, <<customer_name>> shall be entitled to an equitable abatement of rent and other charges, depending upon the unsuitability of the Collocation Space for <<customer_name>>'s permitted use, until such Collocation Space is fully repaired and restored and <<customer_name>>'s equipment installed therein (but in no event later than thirty (30) business days after the Collocation Space is fully repaired and restored). Where <<customer_name>> has placed an Adjacent Arrangement pursuant to Section 3, <<customer_name>> shall have the sole responsibility to repair or replace said Adjacent Arrangement provided herein. Pursuant to this section, BellSouth will restore the associated services to the Adjacent Arrangement.

14. Eminent Domain

- 14.1 If the whole of a Collocation Space or Adjacent Arrangement shall be taken by any public authority under the power of eminent domain, then this Attachment shall terminate with respect to such Collocation Space or Adjacent Arrangement as of the day possession shall be taken by such public authority and rent and other charges for the Collocation Space or Adjacent Arrangement shall be paid up to that day with proportionate refund by BellSouth of such rent and charges as may have been paid in advance for a period subsequent to the date of the taking. If any part of the Collocation Space or Adjacent Arrangement shall be taken under eminent domain,

BellSouth and <<customer_name>> shall each have the right to terminate this Attachment with respect to such Collocation Space or Adjacent Arrangement and declare the same null and void, by written notice of such intention to the other Party within ten (10) business days after such taking.

15. Nonexclusivity

15.1 <<customer_name>> understands that this Attachment is not exclusive and that BellSouth may enter into similar agreements with other Parties. Assignment of space pursuant to all such agreements shall be determined by space availability and made on a first come, first served basis

ENVIRONMENTAL AND SAFETY PRINCIPLES

The following principles provide basic guidance on environmental and safety issues when applying for and establishing Physical Collocation arrangements.

1. GENERAL PRINCIPLES

- 1.1 Compliance with Applicable Law. BellSouth and <<customer_name>> agree to comply with applicable federal, state, and local environmental and safety laws and regulations including U.S. Environmental Protection Agency (USEPA) regulations issued under the Clean Air Act (CAA), Clean Water Act (CWA), Resource Conservation and Recovery Act (RCRA), Comprehensive Environmental Response, Compensation and Liability Act (CERCLA), Superfund Amendments and Reauthorization Act (SARA), the Toxic Substances Control Act (TSCA), and OSHA regulations issued under the Occupational Safety and Health Act of 1970, as amended and NFPA and National Electrical Codes (NEC) and the NESC (“Applicable Laws”). Each Party shall notify the other if compliance inspections are conducted by regulatory agencies and/or citations are issued that relate to any aspect of this Attachment.
- 1.2 Notice. BellSouth and <<customer_name>> shall provide notice to the other, including Material Safety Data Sheets (MSDSs), of known and recognized physical hazards or Hazardous Chemicals existing on site or brought on site. Each Party is required to provide specific notice for known potential Imminent Danger conditions. <<customer_name>> should contact 1-800-743-6737 for BellSouth MSDS sheets.
- 1.3 Practices/Procedures. BellSouth may make available additional environmental control procedures for <<customer_name>> to follow when working at a BellSouth Premises (See Section 2, below). These practices/procedures will represent the regular work practices required to be followed by the employees and contractors of BellSouth for environmental protection. <<customer_name>> will require its contractors, agents and others accessing the BellSouth Premises to comply with these practices. Section 2 lists the Environmental categories where BST practices should be followed by <<customer_name>> when operating in the BellSouth Premises.
- 1.4 Environmental and Safety Inspections. BellSouth reserves the right to inspect the <<customer_name>> space with proper notification. BellSouth reserves the right to stop any <<customer_name>> work operation that imposes Imminent Danger to the environment, employees or other persons in the area or Facility.
- 1.5 Hazardous Materials Brought On Site. Any hazardous materials brought into, used, stored or abandoned at the BellSouth Premises by <<customer_name>> are owned by <<customer_name>>. <<customer_name>> will indemnify BellSouth for claims,

- lawsuits or damages to persons or property caused by these materials. Without prior written BellSouth approval, no substantial new safety or environmental hazards can be created by <<customer_name>> or different hazardous materials used by <<customer_name>> at BellSouth Facility. <<customer_name>> must demonstrate adequate emergency response capabilities for its materials used or remaining at the BellSouth Facility.
- 1.6 Spills and Releases. When contamination is discovered at a BellSouth Premises, the Party discovering the condition must notify BellSouth. All Spills or Releases of regulated materials will immediately be reported by <<customer_name>> to BellSouth.
- 1.7 Coordinated Environmental Plans and Permits. BellSouth and <<customer_name>> will coordinate plans, permits or information required to be submitted to government agencies, such as emergency response plans, spill prevention control and countermeasures (SPCC) plans and community reporting. If fees are associated with filing, BellSouth and <<customer_name>> will develop a cost sharing procedure. If BellSouth's permit or EPA identification number must be used, <<customer_name>> must comply with all of BellSouth's permit conditions and environmental processes, including environmental "best management practices (BMP)" (see Section 2, below) and/or selection of BST disposition vendors and disposal sites.
- 1.8 Environmental and Safety Indemnification. BellSouth and <<customer_name>> shall indemnify, defend and hold harmless the other Party from and against any claims (including, without limitation, third-party claims for personal injury or death or real or personal property damage), judgments, damages, (including direct and indirect damages, and punitive damages), penalties, fines, forfeitures, costs, liabilities, interest and losses arising in connection with the violation or alleged violation of any Applicable Law or contractual obligation or the presence or alleged presence of contamination arising out of the acts or omissions of the indemnifying Party, its agents, contractors, or employees concerning its operations at the Facility.
- 2. CATEGORIES FOR CONSIDERATION OF ENVIRONMENTAL ISSUES**
- 2.1 When performing functions that fall under the following Environmental categories on BellSouth's Premises, <<customer_name>> agrees to comply with the applicable sections of the current issue of BellSouth's Environmental and Safety Methods and Procedures (M&Ps), incorporated herein by this reference. <<customer_name>> further agrees to cooperate with BellSouth to ensure that <<customer_name>>'s employees, agents, and/or subcontractors are knowledgeable of and satisfy those provisions of BellSouth's Environmental M&Ps which apply to the specific Environmental function being performed by <<customer_name>>, its employees, agents and/or subcontractors.
- 2.2 The most current version of reference documentation must be requested from BellSouth.

ENVIRONMENTAL CATEGORIES	ENVIRONMENTAL ISSUES	ADDRESSED BY THE FOLLOWING DOCUMENTATION
Disposal of hazardous material or other regulated material (e.g., batteries, fluorescent tubes, solvents & cleaning materials)	Compliance with all applicable local, state, & federal laws and regulations Pollution liability insurance EVET approval of contractor	Std T&C 450 Fact Sheet Series 17000 Std T&C 660-3 Approved Environmental Vendor List (Contact E/S Management)
Emergency response	Hazmat/waste release/spill firesafety emergency	Fact Sheet Series 1700 Building Emergency Operations Plan (EOP) (specific to and located on Premises)
Contract labor/outsourcing for services with environmental implications to be performed on BellSouth Premises (e.g., disposition of hazardous material/waste; maintenance of storage tanks)	Compliance with all applicable local, state, & federal laws and regulations Performance of services in accordance with BST's environmental M&Ps Insurance	Std T&C 450 Std T&C 450-B (Contact E/S for copy of appropriate E/S M&Ps.) Std T&C 660
Transportation of hazardous material	Compliance with all applicable local, state, & federal laws and regulations Pollution liability insurance EVET approval of contractor	Std T&C 450 Fact Sheet Series 17000 Std T&C 660-3 Approved Environmental Vendor List (Contact E/S Management)
Maintenance/operations work which may produce a waste Other maintenance work	Compliance with all application local, state, & federal laws and regulations Protection of BST employees and equipment	Std T&C 450 29CFR 1910.147 (OSHA Standard) 29CFR 1910 Subpart O (OSHA Standard)

Janitorial services	<p>All waste removal and disposal must conform to all applicable federal, state and local regulations</p> <p>All Hazardous Material and Waste</p> <p>Asbestos notification and protection of employees and equipment</p>	<p>P&SM Manager - Procurement</p> <p>Fact Sheet Series 17000</p> <p>GU-BTEN-001BT, Chapter 3 BSP 010-170-001BS (Hazcom)</p>
Manhole cleaning	<p>Compliance with all applicable local, state, & federal laws and regulations</p> <p>Pollution liability insurance</p> <p>EVET approval of contractor</p>	<p>Std T&C 450 Fact Sheet 14050 BSP 620-145-011PR Issue A, August 1996</p> <p>Std T&C 660-3</p> <p>Approved Environmental Vendor List (Contact E/S Management)</p>
Removing or disturbing building materials that may contain asbestos	Asbestos work practices	GU-BTEN-001BT, Chapter 3

3. DEFINITIONS

Generator. Under RCRA, the person whose act produces a Hazardous Waste, as defined in 40 CFR 261, or whose act first causes a Hazardous Waste to become subject to regulation. The Generator is legally responsible for the proper management and disposal of Hazardous Wastes in accordance with regulations.

Hazardous Chemical. As defined in the U.S. Occupational Safety and Health (OSHA) hazard communication standard (29 CFR 1910.1200), any chemical which is a health hazard or physical hazard.

Hazardous Waste. As defined in section 1004 of RCRA.

Imminent Danger. Any conditions or practices at a facility which are such that a danger exists which could reasonably be expected to cause immediate death or serious harm to people or immediate significant damage to the environment or natural resources.

Spill or Release. As defined in Section 101 of CERCLA.

4. ACRONYMS

E/S – Environmental/Safety

EVET - Environmental Vendor Evaluation Team

DEC/LDEC - Department Environmental Coordinator/Local Department Environmental Coordinator

GU-BTEN-001BT - BellSouth Environmental Methods and Procedures

NESC - National Electrical Safety Codes

P&SM - Property & Services Management

Std. T&C - Standard Terms & Conditions

Interval Matrix

State	Type	Space Availability/Bona Fide Firm Order	Application Response/Price Quote	Construction and Provisioning	
				Ordinary	Extraordinary
Alabama ¹	Caged Cageless	10 Calendar Days 10 Calendar Days	23 Business Days 23 Business Days	76 Bus. 60 Cal	91 Bus 90 Cal
Florida	Caged Cageless	15 Calendar Days Same	15 Calendar Days* Same	90 Cal 90 Cal	NA NA
Georgia	Caged Cageless	10 Calendar Days 10 Calendar Days	30 Calendar Days 30 Calendar Days	90 Cal 60 Cal	NA Cal 90 Cal
Kentucky ¹	Caged Cageless	10 Calendar Days 10 Calendar Days	23 Business Days 23 Business Days	76 Bus. 76 Bus.	91 Bus 91 Bus
Louisiana	Caged Cageless	10 Calendar Days* 10 Calendar Days*	30 Calendar Days* 30 Calendar Days*	90 Cal 90 Cal	120 Cal 120 Cal
Mississippi	Caged Cageless	10 Business Days 10 Business Days	30 Business Days* 30 Business Days*	120 Cal 120Cal	180Cal 180 Cal
North Carolina ¹	Caged Cageless	10 Calendar Days 10 Calendar Days	23 Business Days 23 Business Days	76 Bus. 76 Bus.	91 Bus 91 Bus
South Carolina	Caged Cageless	10 Calendar Days 10 Calendar Days	30 Calendar Days* 30 Calendar Days*	90 Cal 90 Cal	NA Cal NA Cal
Tennessee ¹	Caged Cageless	10 Calendar Days 10 Calendar Days	23 Business Days 23 Business Days	76 Bus. 76 Bus.	91 Bus 91 Bus

* Extended intervals shall apply when multiple applications are submitted.

Note 1: The intervals were set by the FCC's Order in Docket No. 98-147 released February 20, 2001.

The construction and provisioning intervals, as listed for these states, will apply if a forecast is submitted three (3) months prior to the application date. Extended intervals shall apply if the forecast is not received three (3) months in advance.

THREE MONTH CLEC FORECAST

CLEC NAME _____

DATE _____

STATE	Central Office/City	CAGED Sq. Ft.	CAGELESS # Bays		FRAME TERMINATIONS	CLEC Provided BDFB--Amps Load	BST Provided BDFB---Amps Load	Heat Dissipation BTU/Hour	Entrance Facilities # sheaths & # fibers	Proposed Application Date	NOTES
			Standard Bays*	Non- Standard Bays**							

*Standard bays are defined as racks, bays or cabinets, including equipment and cable, with measurements equal to or less than the following: Width - 26", Depth - 25". The standard height for all collocated equipment bays in BellSouth is 7' 0".

** Any forecast for non-standard cageless bays must include an attachment describing the quantity and width and depth measurements.

Notes: Forecast information will be used for no other purpose than collocation planning.
 Forecast with application dates greater than 3 months from the date of submission will not guarantee the reservation of space in the office requested.

Remote Site Physical Collocation

BELLSOUTH

REMOTE SITE PHYSICAL COLLOCATION

1. Scope of Attachment

- 1.1 Scope of Attachment. The rates, terms, and conditions contained within this Attachment shall only apply when <<customer_name>> is occupying the Remote Collocation Space as a sole occupant or as a Host within a Remote Site Location.
- 1.2 Right to occupy. BellSouth shall offer to <<customer_name>> Remote Site Collocation on rates, terms, and conditions that are just, reasonable, non-discriminatory and consistent with the rules of the Federal Communications Commission ("FCC"). Subject to the rates, terms, and conditions of this Attachment, BellSouth hereby grants to <<customer_name>> a right to occupy that certain area designated by BellSouth within a BellSouth Remote Site Location, of a size which is specified by <<customer_name>> and agreed to by BellSouth (hereinafter "Remote Collocation Space"). BellSouth Remote Site Locations include cabinets, huts, and controlled environmental vaults owned or leased by BellSouth that house BellSouth Network Facilities. To the extent this Attachment does not include all the necessary rates, terms and conditions for BellSouth remote locations other than cabinets, huts and controlled environmental vaults, the Parties will negotiate said rates, terms, and conditions at the request for collocation at BellSouth remote locations other than those specified above.
- 1.2.1 In all states other than Florida, the number of racks/bays specified by <<customer_name>> may contemplate a request for space sufficient to accommodate <<customer_name>>'s growth within a two year period.
- 1.2.2 In the state of Florida, the number of racks/bays specified by <<customer_name>> may contemplate a request for space sufficient to accommodate <<customer_name>>'s growth within an eighteen (18) month period.
- 1.2.3 Neither BellSouth nor any of BellSouth's affiliates may reserve space for future use on more preferential terms than those set forth above.
- 1.3 Third Party Property. If the Premises, or the property on which it is located, is leased by BellSouth from a Third Party or otherwise controlled by a Third Party, special considerations and intervals may apply in addition to the terms and conditions of this Agreement. Additionally, where BellSouth notifies <<customer_name>> that BellSouth's agreement with a Third Party does not grant BellSouth the ability to provide access and use rights to others, upon <<customer_name>>'s request,

- BellSouth will use its best efforts to obtain the owner's consent and to otherwise secure such rights for <<customer_name>>. <<customer_name>> agrees to reimburse BellSouth for the reasonable and demonstrable costs incurred by BellSouth in obtaining such rights for <<customer_name>>. In cases where a Third Party agreement does not grant BellSouth the right to provide access and use rights to others as contemplated by this Agreement and BellSouth, despite its best efforts, is unable to secure such access and use rights for <<customer_name>> as above, <<customer_name>> shall be responsible for obtaining such permission to access and use such property. BellSouth shall cooperate with <<customer_name>> in obtaining such permission.
- 1.4 **Space Reclamation.** In the event of space exhaust within a Remote Site Location, BellSouth may include in its documentation for the Petition for Waiver filing any vacant space in the Remote Site Location. <<customer_name>> will be responsible for any justification of vacant space within its Remote Collocation Space, if such justification is required by the appropriate state commission.
- 1.5 **Use of Space.** <<customer_name>> shall use the Remote Collocation Space for the purposes of installing, maintaining and operating <<customer_name>>'s equipment (to include testing and monitoring equipment) necessary, for interconnection with BellSouth services and facilities, including access to unbundled network elements, for the provision of telecommunications services. The Remote Collocation Space may be used for no other purposes except as specifically described herein or authorized in writing by BellSouth.
- 1.6 **Rates and charges.** <<customer_name>> agrees to pay the rates and charges identified in Exhibit D attached hereto.
- 1.7 **Due Dates.** In all states except Georgia, if any due date contained in this Attachment falls on a weekend or holiday, then the due date will be the next business day thereafter.
- 2. Space Availability Report**
- 2.1 **Reporting.** Upon request from <<customer_name>>, BellSouth will provide a written report ("Space Availability Report") specifying the amount of Remote Collocation Space available at the Remote Site Location requested, the number of collocators present at the Remote Site Location, any modifications in the use of the space since the last report on the Remote Site Location requested and the measures BellSouth is taking to make additional space available for collocation arrangements.
- 2.1.1 The request from <<customer_name>> for a Space Availability Report must be written and must include the Common Language Location Identification ("CLLI")

- code for both the Remote Site Location and the serving central office. Such information regarding the CLLI code for the serving central offices located in the National Exchange Carriers Association (NECA) Tariff FCC No. 4. If <<customer_name>> is unable to obtain the CLLI code, from for example a site visit to the remote site, <<customer_name>> may request the CLLI code from BellSouth. To obtain a CLLI code for a remote site directly from BellSouth, <<customer_name>> should submit to BellSouth a Remote Site Interconnection Request for Remote Site CLLI Code prior to submitting its request for a Space Availability Report. <<customer_name>> should complete all the requested information and submit the Request with the applicable fee to BellSouth.
- 2.1.2 BellSouth will respond to a request for a Space Availability Report for a particular Remote Site Location within ten (10) calendar days of receipt of such request. This interval excludes national holidays. BellSouth will make best efforts to respond in ten (10) calendar days to such a request when the request includes from two (2) to five (5) Remote Site Locations within the same state. The response time for requests of more than five (5) Remote Site Locations shall be negotiated between the Parties. If BellSouth cannot meet the ten calendar day response time, BellSouth shall notify <<customer_name>> and inform <<customer_name>> of the time frame under which it can respond. In Mississippi, the above intervals shall be in business days.

3. Collocation Options

- 3.1 Compliance. The parties agree to comply with all applicable federal, state, county, local and administrative laws, orders, rules, ordinances, regulations, and codes in the performance of their obligations hereunder.
- 3.2 Cageless. BellSouth shall allow <<customer_name>> to collocate <<customer_name>>'s equipment and facilities without requiring the construction of a cage or similar structure. BellSouth shall allow <<customer_name>> to have direct access to its equipment and facilities. BellSouth shall make cageless collocation available in single rack/bay increments. For equipment requiring special technical considerations, <<customer_name>> must provide the equipment layout, including spatial dimensions for such equipment pursuant to generic requirements contained in BellCore (Telcordia) GR-63-Core and shall be responsible for constructing all special technical requirements associated with such equipment pursuant to **Section 6**, following. Subject to space availability and technical feasibility, at <<customer_name>>'s option, <<customer_name>> may enclose its equipment.
- 3.3 Shared (Subleased) Collocation. <<customer_name>> may allow other telecommunications carriers to share <<customer_name>>'s Remote Collocation Space pursuant to terms and conditions agreed to by <<customer_name>> ("Host") and other telecommunications carriers ("Guests") and pursuant to this section, except where the BellSouth Remote Site Location is located within a leased space and

- BellSouth is prohibited by said lease from offering such an option or is located on property for which BellSouth holds an easement and such easement does not permit such an option. <<customer_name>> shall notify BellSouth in writing upon execution of any agreement between the Host and its Guest within ten (10) calendar days (in Mississippi, 10 business days) of its execution and prior to any Firm Order. Further, such notice shall include the name of the Guest(s) and the term of the agreement, and shall contain a certification by <<customer_name>> that said agreement imposes upon the Guest(s) the same terms and conditions for Remote Collocation Space as set forth in this Attachment between BellSouth and <<customer_name>>.
- 3.3.1 <<customer_name>> shall be the sole interface and responsible Party to BellSouth for assessment of rates and charges contained within this Attachment; and for the purposes of ensuring that the safety and security requirements of this Attachment are fully complied with by the Guest, its employees and agents. BellSouth shall provide <<customer_name>> with a proration of the costs of the collocation space based on the number of collocators and the space used by each. In all states other than Florida, and in addition to the foregoing, <<customer_name>> shall be the responsible party to BellSouth for the purpose of submitting Applications for initial and additional equipment placement of Guest. In the event the Host and Guest jointly submit an Application, only one Application Fee will be assessed. A separate Guest Application shall require the assessment of an Application Fee, as set forth in Exhibit D. Notwithstanding the foregoing, Guest may arrange directly with BellSouth for the provision of the interconnecting facilities between BellSouth and Guest and for the provision of the services and access to unbundled network elements.
- 3.3.2 <<customer_name>> shall indemnify and hold harmless BellSouth from any and all claims, actions, causes of action, of whatever kind or nature arising out of the presence of <<customer_name>>'s Guests in the Remote Collocation Space except to the extent caused by BellSouth's sole negligence, gross negligence, or willful misconduct.
- 3.4 Adjacent Collocation. Subject to technical feasibility and space availability, BellSouth will provide approval for adjacent Remote Site collocation arrangements ("Remote Site Adjacent Arrangement") where space within the Remote Site Location is legitimately exhausted, where the Remote Site Adjacent Arrangement does not interfere with access to existing or planned structures or facilities on the Remote Site Location property. The Remote Site Adjacent Arrangement shall be constructed or procured by <<customer_name>> and in conformance with BellSouth's design and construction specifications. Further, <<customer_name>> shall construct, procure, maintain and operate said Remote Site Adjacent Arrangement(s) pursuant to all of the terms and conditions set forth in this Attachment. Rates shall be negotiated at the time of the request for the Remote Site Adjacent Arrangement.

- 3.4.1 Should <<customer_name>> elect such an option, <<customer_name>> must arrange with a BellSouth Certified Contractor to construct a Remote Site Adjacent Arrangement structure in accordance with BellSouth's guidelines and specifications. BellSouth will provide guidelines and specifications upon request. Where local building codes require enclosure specifications more stringent than BellSouth's standard specification, <<customer_name>> and <<customer_name>>'s BellSouth Certified Contractor must comply with local building code requirements. <<customer_name>>'s BellSouth Certified Contractor shall be responsible for filing and receiving any and all necessary zoning, permits and/or licenses for such construction. <<customer_name>>'s BellSouth Certified Contractor shall bill <<customer_name>> directly for all work performed for <<customer_name>> pursuant to this Attachment and BellSouth shall have no liability for nor responsibility to pay such charges imposed by the BellSouth Certified Contractor. <<customer_name>> must provide the local BellSouth Remote Site Location contact with two cards, keys or other access device used to enter the locked enclosure. Except in cases of emergency, BellSouth shall not access <<customer_name>>'s locked enclosure prior to notifying <<customer_name>>.
- 3.4.2 BellSouth maintains the right to review <<customer_name>>'s plans and specifications prior to construction of a Remote Site Adjacent Arrangement(s). BellSouth shall complete its review within fifteen (15) calendar days. BellSouth may inspect the Remote Site Adjacent Arrangement(s) following construction and prior to the Commencement Date, as defined in Section 4 following, to ensure the design and construction comply with BellSouth's guidelines and specifications. BellSouth may require <<customer_name>>, at <<customer_name>>'s sole cost, to correct any deviations from BellSouth's guidelines and specifications found during such inspection(s), up to and including removal of the Remote Site Adjacent Arrangement, within seven (7) calendar days of BellSouth's inspection, unless the Parties mutually agree to an alternative time frame.
- 3.4.3 <<customer_name>> shall provide a concrete pad, the structure housing the arrangement, heating/ventilation/air conditioning ("HVAC"), lighting, and all facilities that connect the structure (i.e. racking, conduits, etc.) to the BellSouth point of demarcation. At <<customer_name>>'s option, and where the local authority having jurisdiction permits, BellSouth shall provide an AC power source and access to physical collocation services and facilities subject to the same nondiscriminatory requirements as applicable to any other physical collocation arrangement. <<customer_name>>'s BellSouth Certified Contractor shall be responsible, at <<customer_name>>'s expense, for filing and receiving any and all necessary zoning, permits and/or licenses for such arrangement.
- 3.4.4 BellSouth shall allow Shared (Subleased) Collocation within a Remote Site Adjacent Arrangement pursuant to the terms and conditions set forth herein.

4 Occupancy

- 4.1 Occupancy. BellSouth will notify <<customer_name>> in writing that the Remote Collocation Space is ready for occupancy. <<customer_name>> must notify BellSouth in writing that collocation equipment installation is complete. BellSouth may, at its option, not accept orders for interconnected service until receipt of such notice.
- 4.2 Termination of Occupancy. In addition to any other provisions addressing termination of occupancy in this Agreement, <<customer_name>> may terminate occupancy in a particular Remote Site Location by submitting a Subsequent Application requesting termination of occupancy. A Subsequent Application Fee will not apply for termination of occupancy.
- 4.2.1 Upon termination of occupancy, <<customer_name>> at its expense shall remove its equipment and other property from the Remote Collocation Space. <<customer_name>> shall have thirty (30) calendar days from the termination date to complete such removal, including the removal of all equipment and facilities of <<customer_name>>'s Guests, unless <<customer_name>>'s Guest has assumed responsibility for the collocation space housing the Guest's equipment and executed the documentation required by BellSouth prior to such removal date; provided, however, that <<customer_name>> shall continue payment of monthly fees to BellSouth until such date as <<customer_name>>, and if applicable <<customer_name>>'s Guest, has fully vacated the Remote Collocation Space. Should <<customer_name>> or <<customer_name>>'s Guest fail to vacate the Remote Collocation Space within thirty (30) calendar days from the termination date, BellSouth shall have the right to remove the equipment and other property of <<customer_name>> or <<customer_name>>'s Guest at <<customer_name>>'s expense and with no liability for damage or injury to <<customer_name>> or <<customer_name>>'s Guest's property unless caused by the gross negligence or intentional misconduct of BellSouth. Upon termination of occupancy with respect to a Remote Collocation Space, <<customer_name>> shall surrender such Remote Collocation Space to BellSouth in the same condition as when first occupied by the <<customer_name>> except for ordinary wear and tear unless otherwise agreed to by the Parties. <<customer_name>> shall be responsible for the cost of removing any enclosure, together with all support structures (e.g., racking, conduits), of a Remote Site Adjacent Arrangement at the termination of occupancy and restoring the grounds to their original condition.

5 Use of Remote Collocation Space

- 5.1 Equipment Type. BellSouth permits the collocation of any type of equipment necessary for interconnection to BellSouth's network or for access to unbundled network elements in the provision of telecommunications services.

- 5.1.1 Such equipment must at a minimum meet the following BellCore (Telcordia) Network Equipment Building Systems (NEBS) General Equipment Requirements: Criteria Level 3 requirements as outlined in the BellCore (Telcordia) Special Report SR-3580, Issue 1; equipment design spatial requirements per GR-63-CORE, Section 2; thermal heat dissipation per GR-063-CORE, Section 4, Criteria 77-79; acoustic noise per GR-063-CORE, Section 4, Criterion 128, and National Electric Code standards. Except where otherwise required by a Commission, BellSouth shall comply with the applicable FCC rules relating to denial of collocation based on <<customer_name>>'s failure to comply with these requirements.
- 5.1.2 <<customer_name>> shall not use the Remote Collocation Space for marketing purposes nor shall it place any identifying signs or markings in the area surrounding the Remote Collocation Space or on the grounds of the Remote Site Location.
- 5.1.3 <<customer_name>> shall place a plaque or other identification affixed to <<customer_name>>'s equipment to identify <<customer_name>>'s equipment, including a list of emergency contacts with telephone numbers.
- 5.1.4 All <<customer_name>> equipment installation shall comply with BellSouth TR 73503-11, Section 8, "Grounding - Engineering Procedures". Metallic cable sheaths and metallic strength members of optical fiber cables as well as the metallic cable sheaths of all copper conductor cables shall be bonded to the designated grounding bus for the Remote Site Location. All copper conductor pairs, working and non-working, shall be equipped with a solid state protector unit (over-voltage protection only) which has been listed by a nationally recognized testing laboratory.
- 5.2 Entrance Facilities. <<customer_name>> may elect to place <<customer_name>>-owned or <<customer_name>>-leased entrance facilities into the Remote Collocation Space from <<customer_name>>'s point of presence. BellSouth will designate the point of interconnection at the Remote Site Location housing the Remote Collocation Space, which is physically accessible by both Parties. <<customer_name>> will provide and place copper cable through conduit from the Remote Collocation Space to the Feeder Distribution Interface to the splice location of sufficient length for splicing by BellSouth. <<customer_name>> must contact BellSouth for instructions prior to placing the entrance facility cable. <<customer_name>> is responsible for maintenance of the entrance facilities.
- 5.2.1 Shared Use. <<customer_name>> may utilize spare capacity on an existing interconnector entrance facility for the purpose of providing an entrance facility to <<customer_name>>'s collocation arrangement within the same BellSouth Remote Site Location.
- 5.3 Demarcation Point. BellSouth will designate the point(s) of demarcation between <<customer_name>>'s equipment and/or network and BellSouth's network. Each

- Party will be responsible for maintenance and operation of all equipment/facilities on its side of the demarcation point. <<customer_name>> or its agent must perform all required maintenance to <<customer_name>> equipment/facilities on its side of the demarcation point, pursuant to Section 5.4, following.
- 5.4 <<customer_name>>'s Equipment and Facilities. <<customer_name>>, or if required by this Attachment, <<customer_name>>'s Certified Supplier, is solely responsible for the design, engineering, installation, testing, provisioning, performance, monitoring, maintenance and repair of the equipment and facilities used by <<customer_name>>.
- 5.5 BellSouth's Access to Remote Collocation Space. BellSouth retains the right to access the Remote Collocation Space for the purpose of making BellSouth equipment and Remote Site Location modifications.
- 5.6 Access. Pursuant to Section 12, <<customer_name>> shall have access to the Remote Collocation Space twenty-four (24) hours a day, seven (7) days a week. <<customer_name>> agrees to provide the name and social security number or date of birth or driver's license number of each employee, contractor, or agents of <<customer_name>> or <<customer_name>>'s Guests provided with access keys or devices ("Access Keys") prior to the issuance of said Access Keys. Key acknowledgement forms must be signed by <<customer_name>> and returned to BellSouth Access Management within fifteen (15) calendar days of <<customer_name>>'s receipt. Failure to return properly acknowledged forms will result in the holding of subsequent requests until acknowledgements are current. Access Keys shall not be duplicated under any circumstances. <<customer_name>> agrees to be responsible for all Access Keys and for the return of all said Access Keys in the possession of <<customer_name>> employees, contractors, Guests, or agents after termination of the employment relationship, contractual obligation with <<customer_name>> or upon the termination of this Attachment or the termination of occupancy of an individual Remote Site collocation arrangement.
- 5.6.1 <<customer_name>> must submit to BellSouth the completed Access Control Request Form for all employees or agents requiring access to the BellSouth Premises a minimum of thirty (30) calendar days prior to the date <<customer_name>> desires access to the Collocation Space. In order to permit reasonable access during construction of the Collocation Space, <<customer_name>> may submit such a request at any time subsequent to BellSouth's receipt of the Bona Fide Firm Order. In the event <<customer_name>> desires access to the Collocation Space after submitting such a request but prior to access being approved, BellSouth shall permit <<customer_name>> to access the Collocation Space accompanied by a security escort at <<customer_name>>'s expense. <<customer_name>> must request escorted access at least three (3) business days prior to the date such access is desired.

- 5.7 Lost or Stolen Access Keys. <<customer_name>> shall notify BellSouth in writing immediately in the case of lost or stolen Access Keys. Should it become necessary for BellSouth to re-key Remote Site Locations as a result of a lost Access Key(s) or for failure to return an Access Key(s), <<customer_name>> shall pay for all reasonable costs associated with the re-keying.
- 5.8 Interference or Impairment. Notwithstanding any other provisions of this Attachment, equipment and facilities placed in the Remote Collocation Space shall not significantly degrade, interfere with or impair service provided by BellSouth or by any other interconnector located in the Remote Site Location; shall not endanger or damage the facilities of BellSouth or of any other interconnector, the Remote Collocation Space, or the Remote Site Location; shall not compromise the privacy of any communications carried in, from, or through the Remote Site Location; and shall not create an unreasonable risk of injury or death to any individual or to the public. If BellSouth reasonably determines that any equipment or facilities of <<customer_name>> violates the provisions of this paragraph, BellSouth shall give written notice to <<customer_name>>, which notice shall direct <<customer_name>> to cure the violation within forty-eight (48) hours of <<customer_name>>'s actual receipt of written notice or, at a minimum, to commence curative measures within 24 hours and to exercise reasonable diligence to complete such measures as soon as possible thereafter. After receipt of the notice, the Parties agree to consult immediately and, if necessary, to inspect the arrangement.
- 5.8.1 Except in the case of the deployment of an advanced service which significantly degrades the performance of other advanced services or traditional voice band services, if <<customer_name>> fails to take curative action within 48 hours or if the violation is of a character which poses an immediate and substantial threat of damage to property, injury or death to any person, or other interference/impairment of the services provided by BellSouth or any other interconnector, then and only in that event BellSouth may take such action as it deems appropriate to correct the violation, including without limitation the interruption of electrical power to <<customer_name>>'s equipment. BellSouth will endeavor, but is not required, to provide notice to <<customer_name>> prior to taking such action and shall have no liability to <<customer_name>> for any damages arising from such action, except to the extent that such action by BellSouth constitutes willful misconduct.
- 5.8.2 For purposes of this section, the term significantly degrade shall mean an action that noticeably impairs a service from a user's perspective. In the case of the deployment of an advanced service which significantly degrades the performance of other advanced services or traditional voice band services and <<customer_name>> fails to take curative action within 48 hours then BellSouth will establish before the relevant Commission that the technology deployment is causing the significant degradation. Any claims of network harm presented to <<customer_name>> or, if subsequently necessary, the relevant Commission must be supported with specific and verifiable information. Where BellSouth demonstrates that a deployed technology is

- significantly degrading the performance of other advanced services or traditional voice band services, <<customer_name>> shall discontinue deployment of that technology and migrate its customers to technologies that will not significantly degrade the performance of other such services. Where the only degraded service itself is a known disturber, and the newly deployed technology satisfies at least one of the criteria for a presumption that is acceptable for deployment under 47 C.F.R. 51.230, the degraded service shall not prevail against the newly-deployed technology.
- 5.9 Presence of Facilities. Facilities and equipment placed by <<customer_name>> in the Remote Collocation Space shall not become a part of the Remote Site Location, even if nailed, screwed or otherwise fastened to the Remote Collocation Space but shall retain its status as personality and may be removed by <<customer_name>> at any time. Any damage caused to the Remote Collocation Space by <<customer_name>>'s employees, agents or representatives shall be promptly repaired by <<customer_name>> at its expense.
- 5.10 Alterations. In no case shall <<customer_name>> or any person acting on behalf of <<customer_name>> make any rearrangement, modification, improvement, addition, or other alteration which could affect in any way space, power, HVAC, and/or safety considerations to the Remote Collocation Space or the BellSouth Remote Site Location without the written consent of BellSouth, which consent shall not be unreasonably withheld. The cost of any specialized alterations shall be paid by <<customer_name>>. Any material rearrangement, modification, improvement, addition, or other alteration shall require an Application Fee.
- 5.11 Upkeep of Remote Collocation Space. <<customer_name>> shall be responsible for the general upkeep and cleaning of the Remote Collocation Space. <<customer_name>> shall be responsible for removing any <<customer_name>> debris from the Remote Collocation Space and from in and around the Remote Collocation Site on each visit.
- 6. Space Notification**
- 6.1 Should any state or federal regulatory agency impose procedures or intervals applicable to <<customer_name>> and BellSouth that are different from procedures or intervals set forth in this section, whether now in effect or that become effective after execution of this Agreement, those procedures or intervals shall supersede the requirements set forth herein for that jurisdiction for all applications submitted for the first time after the effective date thereof
- 6.2 Application for Space. <<customer_name>> shall submit a Remote Site Collocation Application when <<customer_name>> or <<customer_name>>'s Guest(s), as

defined in **Section 3**, desires to request or modify the use of the Remote Collocation Space.

- 6.3 Initial Application. For <<customer_name>> or <<customer_name>>'s Guest(s) equipment placement, <<customer_name>> shall submit to BellSouth an Application. The Application is Bona Fide when it is complete and accurate, meaning that all required fields on the Application are completed with the appropriate type of information. Prior to submitting the application, CLLI information can be obtained in the manner set forth in Section 2. An Application Fee will apply.
- 6.4 Subsequent Application In the event <<customer_name>> or <<customer_name>>'s Guest(s) desires to modify the use of the Collocation Space after Bona Fide Firm Order, <<customer_name>> shall complete an Application detailing all information regarding the modification to the Collocation Space ("Subsequent Application"). BellSouth shall determine what modifications, if any, to the Premises are required to accommodate the change requested by <<customer_name>> in the Application. Such necessary modifications to the Premises may include, but are not limited to, floor loading changes, changes necessary to meet HVAC requirements, changes to power plant requirements, equipment additions, etc.
- 6.4.1 Subsequent Application Fee. The application fee paid by <<customer_name>> for its request to modify the use of the Collocation Space shall be dependent upon the level of assessment needed for the modification requested. Where the Subsequent Application does not require assessment for provisioning or construction work by BellSouth, no Subsequent Application fee will be required. The fee for a Subsequent Application where the modification requested has limited effect (e.g., requires limited assessment and no capital expenditure by BellSouth) shall be the Subsequent Application Fee as set forth in Exhibit D. If the modification requires capital expenditure assessment, a full Application Fee shall apply. The Subsequent Application is Bona Fide when it is complete and accurate, meaning that all required fields on the Application are completed with the appropriate type of information.
- 6.5 Availability of Space. Upon submission of an Application, BellSouth will permit <<customer_name>> to physically collocate, pursuant to the terms of this Attachment, at any BellSouth Remote Site Location, unless BellSouth has determined that there is no space available due to space limitations or that Remote Site Collocation is not practical for technical reasons. In the event space is not immediately available at a Remote Site Location, BellSouth reserves the right to make additional space available, in which case the conditions in Section 7 shall apply, or BellSouth may elect to deny space in accordance with this section in which case virtual or adjacent collocation options may be available. If the amount of space requested is not available, BellSouth will notify <<customer_name>> of the amount that is available.

- 6.5.1 Availability Notification. Unless otherwise specified, BellSouth will respond to an application within ten (10) calendar days (In Mississippi, ten (10) business days) as to whether space is available or not available within a BellSouth Remote Site Location. With the exception of Georgia, this interval excludes National Holidays. If the amount of space requested is not available, BellSouth will notify <<customer_name>> of the amount of space that is available and no Application Fee shall apply. When BellSouth's response includes an amount of space less than that requested by <<customer_name>>, <<customer_name>> must resubmit its Application to reflect the actual space available.
- 6.5.2 BellSouth will respond to a Florida Application within fifteen (15) calendar days as to whether space is available or not available within a BellSouth Remote Site Location. BellSouth will also respond as to whether the Application is Bona Fide and if it is not Bona Fide the items necessary to cause the Application to become Bona Fide. If a lesser amount of space than requested is available, BellSouth will provide an Application Response for the amount of space that is available and an Application Fee will be assessed. When BellSouth's Application Response includes an amount of space less than that requested by <<customer_name>>, <<customer_name>> must amend its Application to reflect the actual space available prior to submitting Bona Fide Firm Order.
- 6.5.3 BellSouth will respond to a Louisiana Application within ten (10) calendar days for space availability for one (1) to ten (10) Applications; fifteen (15) calendar days for eleven (11) to twenty (20) Applications; and for more than twenty (20) Applications, it is increased by five (5) calendar days for every five additional Applications received within five (5) business days. If the amount of space requested is not available, BellSouth will notify <<customer_name>> of the amount of space that is available and no Application Fee will apply. When BellSouth's response includes an amount of space less than that requested by <<customer_name>>, <<customer_name>> must resubmit its Application to reflect the actual space available. BellSouth will also respond as to whether the Application is Bona Fide and if it is not Bona Fide the items necessary to cause the Application to become Bona Fide.
- 6.6 Denial of Application. If BellSouth notifies <<customer_name>> that no space is available ("Denial of Application"), BellSouth will not assess an Application Fee. After notifying <<customer_name>> that BellSouth has no available space in the requested Remote Site Location, BellSouth will allow <<customer_name>>, upon request, to tour the Remote Site Location within ten (10) calendar days of such Denial of Application. With the exception of Georgia, this interval excludes national holidays. In order to schedule said tour within ten (10) calendar days, the request for a tour of the Remote Site Location must be received by BellSouth within five (5) calendar days of the Denial of Application. In Mississippi the above intervals shall be in business days.

- 6.7 Filing of Petition for Waiver. Upon Denial of Application BellSouth will timely file a petition with the Commission pursuant to 47 U.S.C. § 251(c)(6). BellSouth shall provide to the Commission any information requested by that Commission. Such information shall include which space, if any, BellSouth or any of BellSouth's affiliates have reserved for future use and a detailed description of the specific future uses for which the space has been reserved. Subject to an appropriate nondisclosure agreement or provision, BellSouth shall permit <<customer_name>> to inspect any plans or diagrams that BellSouth provides to the Commission.
- 6.8 Waiting List. On a first-come, first-served basis governed by the date of receipt of an Application or Letter of Intent, BellSouth will maintain a waiting list of requesting carriers who have either received a Denial of Application or, where it is publicly known that the Premises is out of space, have submitted a Letter of Intent to collocate. BellSouth will notify the telecommunications carriers on the waiting list that can be accommodated by the amount of space that becomes available according to the position of the telecommunications carriers on said waiting list
- 6.8.1 In Florida, on a first-come, first-served basis governed by the date of receipt of an Application or Letter of Intent, BellSouth will maintain a waiting list of requesting carriers who have either received a Denial of Application or, where it is publicly known that the Remote Site Location is out of space, have submitted a Letter of Intent to collocate. Sixty (60) days prior to space becoming available, if known, BellSouth will notify the Florida PSC and the telecommunications carriers on the waiting list by mail when space becomes available according to the position of telecommunications carrier on said waiting list. If not known sixty (60) days in advance, BellSouth shall notify the Florida PSC and the telecommunications carriers on the waiting list within two days of the determination that space is available. A CLEC that, upon denial of physical collocation, requests virtual collocation shall be automatically placed on the waiting list.
- 6.8.2 When space becomes available, <<customer_name>> must submit an updated, complete, and correct Application to BellSouth within 30 calendar days (in Mississippi, 30 business days) of such notification. <<customer_name>> may accept an amount of space less than its original request by submitting an Application as set forth above, and upon request, may maintain its position on the waiting list for the remaining space that was initially requested. If <<customer_name>> does not submit such an Application or notify BellSouth in writing as described above, BellSouth will offer such space to the next CLEC on the waiting list and remove <<customer_name>> from the waiting list. Upon request, BellSouth will advise <<customer_name>> as to its position on the list.
- 6.9 Public Notification. BellSouth will maintain on its Interconnection Services website a notification document that will indicate all Remote Site Locations that are without available space. BellSouth shall update such document within ten (10) calendar days (in Mississippi, 10 business days) of the Denial of Application date. This interval

excludes national holidays. BellSouth will also post a document on its Interconnection Services website that contains a general notice where space has become available in a Remote Site Location previously on the space exhaust list.

6.10 Application Response.

- 6.10.1 Application Response. In Alabama, Kentucky, North Carolina, and Tennessee, when space has been determined to be available, BellSouth will provide a written response (“Application Response”) within twenty-three (23) business days of the receipt of a Bona Fide Application, which will include, at a minimum, the configuration of the space, the Cable Installation Fee, Cable Records Fee, and the space preparation fees, as described in Section 8.
- 6.10.2 Except as otherwise provided, for all States that have ordered provisioning intervals but not application response intervals, BellSouth will provide a written response (“Application Response”) within thirty (30) calendar days of receipt of a Bona Fide Application. The Application Response will include, at a minimum, the estimated provisioning interval, any additional engineering charges, if applicable, and any other additional information that may extend the ordinary interval to extraordinary interval status, together with sufficient information to explain such extension.
- 6.10.2.1 When multiple applications are submitted in a state within a fifteen (15) calendar day window, BellSouth will respond to the Bona Fide Applications as soon as possible, but no later than the following: within thirty (30) calendar days for Bona Fide Applications 1-5; within thirty-six (36) calendar days for Bona Fide Applications 6-10; within forty-two (42) calendar days for Bona Fide Applications 11-15. Response intervals for multiple Bona Fide Applications submitted within the same timeframe for the same state in excess of 15 must be negotiated. All negotiations shall consider the total volume from all requests from telecommunications companies for collocation.
- 6.10.3 In Florida, when space has been determined to be available or when a lesser amount of space than that requested is available, then with respect to the space available, BellSouth will provide a written response (“Application Response”) including sufficient information to enable <<customer_name>> to place a Firm Order. When <<customer_name>> submits ten (10) or more Applications within ten (10) calendar days, the initial fifteen (15) day response period will increase by ten (10) days for every additional ten (10) Applications or fraction thereof.
- 6.10.4 In Georgia, when space has been determined to be available, BellSouth will provide a written response (“Application Response”) within thirty (30) calendar days of receipt of a Bona Fide Application. The Application Response will include, at a minimum, the estimated provisioning interval, any additional engineering charges, if applicable, and any other additional information that may extend the ordinary interval to

- extraordinary interval status, together with sufficient information to explain such extension.
- 6.10.5 In Louisiana, BellSouth will respond with a full Application Response within thirty (30) calendar days for one (1) to ten (10) Applications; thirty (35) calendar days for eleven (11) to twenty (20) Applications; and for requests of more than twenty (20) Applications, it is increased by five (5) calendar days for every five Applications received within five (5) business days. The Application Response will include, at a minimum, the estimated provisioning interval, any additional engineering charges, if applicable, and any other additional information that may extend the ordinary interval to extraordinary interval status, together with sufficient information to explain such extension.
- 6.11 Application Modifications.
- 6.11.1 If a modification or revision is made to any information in the Bona Fide Application prior to Bona Fide Firm Order, with the exception of modifications to Customer Information, Contact Information or Billing Contact Information, either at the request of <<customer_name>> or necessitated by technical considerations, said Application shall be considered a new Application and shall be handled as a new Application with respect to response and provisioning intervals and BellSouth may charge <<customer_name>> an application fee. Where the Application Modification does not require assessment for provisioning or construction work by BellSouth, no application fee will be required. The fee for an Application Modification where the modification requested has limited effect (e.g., requires limited assessment and no capital expenditure by BellSouth) shall be the Subsequent Application Fee as set forth in Exhibit D. Major changes such as requesting additional space or adding equipment may require <<customer_name>> to submit the Application with an Application Fee.
- 6.12 Bona Fide Firm Order.
- 6.12.1 Bona Fide Firm Order. In Alabama, Kentucky, North Carolina, and Tennessee, <<customer_name>> shall indicate its intent to proceed with equipment installation in a BellSouth Premises by submitting a Physical Expanded Interconnection Firm Order document ("Firm Order") to BellSouth. A Firm Order shall be considered Bona Fide when <<customer_name>> has completed the Application/Inquiry process described in Section 6.2, preceding, and has submitted the Firm Order document indicating acceptance of the Application Response provided by BellSouth. The Bona Fide Firm Order must be received by BellSouth no later than five (5) business days after BellSouth's Application Response to <<customer_name>>'s Bona Fide Application.
- 6.12.2 Except as otherwise provided, in all States that have ordered provisioning intervals but not addressed Firm Order intervals, the following shall apply. <<customer_name>> shall indicate its intent to proceed with equipment installation in a BellSouth Remote Site Location by submitting a Physical Expanded Interconnection

- Firm Order document (“Firm Order”) to BellSouth. A Firm Order shall be considered Bona Fide when <<customer_name>> has completed the Application/Inquiry process described in this **Section 6**, preceding and has submitted the Firm Order document indicating acceptance of the Application Response provided by BellSouth. The Bona Fide Firm Order must be received by BellSouth no later than thirty (30) calendar days (in Mississippi 30 business days) after BellSouth’s Application Response to <<customer_name>>’s Bona Fide Application or the Application will expire.
- 6.12.3 In Mississippi, <<customer_name>> shall indicate its intent to proceed with equipment installation in a BellSouth Remote Terminal Location by submitting a Physical Expanded Interconnection Firm Order document (“Firm Order”) to BellSouth. A Firm Order shall be considered Bona Fide when <<customer_name>> has completed the Application/Inquiry process described in Section 6, preceding and has submitted the Firm Order document indicating acceptance of the Application Response provided by BellSouth. The Bona Fide Firm Order must be received by BellSouth no later than thirty (30) business days after BellSouth’s Application Response to <<customer_name>>’s Bona Fide Application or the Application will expire.
- 6.12.4 BellSouth will establish a firm order date based upon the date BellSouth is in receipt of a Bona Fide Firm Order. BellSouth will acknowledge the receipt of <<customer_name>>’s Bona Fide Firm Order within seven (7) calendar days of receipt indicating that the Bona Fide Firm Order has been received. A BellSouth response to a Bona Fide Firm Order will include a Firm Order Confirmation containing the firm order date. No revisions will be made to a Bona Fide Firm Order.
- 6.13 BellSouth will permit one accompanied site visit to <<customer_name>>’s designated Remote Collocation Space after receipt of the Bona Fide Firm Order without charge to <<customer_name>>.

7. Construction and Provisioning

7.1 Construction and Provisioning Intervals.

- 7.1.1 In Alabama (Caged Only), Kentucky, North Carolina and Tennessee, BellSouth will complete construction for collocation arrangements within seventy-six (76) business days from receipt of an Application or as agreed to by the Parties. Under extraordinary conditions, BellSouth will complete construction for collocation arrangements within ninety-one (91) business days. Examples of extraordinary conditions include, but are not limited to, extended license or permitting intervals; major BellSouth equipment rearrangement or addition; power plant addition or upgrade; major mechanical addition or upgrade; major upgrade for ADA compliance; environmental hazard or hazardous materials abatement; and arrangements for which equipment shipping intervals are extraordinary in length. In the event

- <<customer_name>> submits a forecast as described in the following section three (3) months or more prior to the application date, the above intervals shall apply. In the event <<customer_name>> submits such a forecast between two (2) months and three (3) months prior to the application date, the above intervals may be extended by one (1) additional month. In the event <<customer_name>> submits such a forecast less than two (2) months prior to the application date, the above intervals may be extended by sixty (60) calendar days. BellSouth will attempt to meet standard intervals for unforecasted requests and any interval adjustments will be discussed with <<customer_name>> at the time the application is received. Raw space, which is space lacking the necessary infrastructure to provide collocation space including but not limited to HVAC, Power, etc.), conversion time frames fall outside the normal intervals and are negotiated on an individual case basis. Additionally, installations to existing collocation arrangements for line sharing or line splitting, which include adding cable, adding cable and splitter, and adding a splitter, will be forty five (45) business days from receipt of an Application.
- 7.1.1.1 To be considered a timely and accurate forecast, <<customer_name>> must submit to BellSouth the CLEC Forecast Form, as set forth in exhibit C attached hereto, containing the following information: Central Office/Serving Wire Center CLLI, Remote Site CLLI, number of bays, number of DS0, DS1, DS3 terminations, equipment power requirements (power drain) and planned application date.
- 7.1.2 In Alabama, BellSouth will complete construction for cageless collocation arrangements under ordinary conditions as soon as possible and within a maximum of sixty (60) calendar days from receipt of a Bona Fide Firm Order and ninety (90) calendar days for extraordinary conditions or as agreed to by the Parties. Ordinary conditions are defined as space available with only minor changes to support systems required, such as but not limited to, HVAC, cabling and the power plant(s). Extraordinary conditions are defined to include but are not limited to major BellSouth equipment rearrangement or addition; power plant addition or upgrade; major mechanical addition or upgrade; major upgrade for ADA compliance; environmental hazard or hazardous materials abatement; and arrangements for which equipment shipping intervals are extraordinary in length. The Parties may mutually agree to renegotiate an alternative provisioning interval or BellSouth may seek a waiver from this interval from the Commission.
- 7.1.3 In Florida, BellSouth will complete construction for collocation arrangements as soon as possible and within a maximum of ninety (90) calendar days from receipt of a Bona Fide Firm Order or as agreed to by the Parties. For changes to collocation space after initial space completion (“Augmentation”), BellSouth will complete construction for collocation arrangements as soon as possible and within a maximum of forty-five (45) calendar days from receipt of a Bona Fide Firm Order or as agreed to by the Parties. If BellSouth does not believe that construction will be completed within the relevant time frame and BellSouth and <<customer_name>> cannot agree upon a completion date, within 45 calendar days of receipt of the Bona Fide Firm

Order for an initial request, and within 30 calendar days for Augmentations, BellSouth may seek an extension from the Florida PSC.

- 7.1.4 In Georgia, BellSouth will complete construction for caged collocation arrangements under ordinary conditions as soon as possible and within a maximum of ninety (90) calendar days from receipt of a Bona Fide Firm Order or as agreed to by the Parties. BellSouth will complete construction for cageless collocation arrangements under ordinary conditions as soon as possible and within a maximum of 60 calendar days from receipt of a Bona Fide Firm Order and 90 calendar days for extraordinary conditions or as agreed to by the Parties. Ordinary conditions are defined as space available with only minor changes to support systems required, such as but not limited to, HVAC, cabling and the power plant(s). Extraordinary conditions are defined to include but are not limited to major BellSouth equipment rearrangement or addition; power plant addition or upgrade; major mechanical addition or upgrade; major upgrade for ADA compliance; environmental hazard or hazardous materials abatement; and arrangements for which equipment shipping intervals are extraordinary in length. The Parties may mutually agree to renegotiate an alternative provisioning interval or BellSouth may seek a waiver from this interval from the Commission.
- 7.1.5 In Louisiana, BellSouth will complete construction for collocation arrangements under ordinary conditions as soon as possible and within a maximum of 120 calendar days from receipt of a Bona Fide Firm Order for an initial request, and within 60 calendar days for an Augmentation, or as agreed to by the Parties. Ordinary conditions are defined as space available with only minor changes to support systems required, such as but not limited to, HVAC, cabling and the power plant(s). BellSouth will complete construction of all other Collocation Space ("extraordinary conditions") within 120 calendar days of the receipt of a Bona Fide Firm Order. Examples of extraordinary conditions include but are not limited to, extended license or permitting intervals; major BellSouth equipment rearrangement or addition; power plant addition or upgrade; major mechanical addition or upgrade; major upgrade for ADA compliance; environmental hazard or hazardous materials abatement; and arrangements for which equipment shipping intervals are extraordinary in length. The Parties may mutually agree to renegotiate an alternative provisioning interval or BellSouth may seek a waiver from this interval from the Commission.
- 7.1.6 In Mississippi, excluding the time interval required to secure the appropriate government licenses and permits, BellSouth will complete construction for collocation arrangements under ordinary conditions as soon as possible and within a maximum of 120 calendar days from receipt of a Bona Fide Firm Order or as agreed to by the Parties. Ordinary conditions are defined as space available with only minor changes to support systems required, such as but not limited to, HVAC, cabling and the power plant(s). Excluding the time interval required to secure the appropriate government licenses and permits, BellSouth will complete construction of all other Collocation Space ("extraordinary conditions") within 180 calendar days of the

- receipt of a Bona Fide Firm Order. Examples of extraordinary conditions include but are not limited to, extended license or permitting intervals; major BellSouth equipment rearrangement or addition; power plant addition or upgrade; major mechanical addition or upgrade; major upgrade for ADA compliance; environmental hazard or hazardous materials abatement; and arrangements for which equipment shipping intervals are extraordinary in length. The Parties may mutually agree to renegotiate an alternative provisioning interval or BellSouth may seek a waiver from this interval from the Commission.
- 7.1.7 In South Carolina, BellSouth will complete the construction and provisioning activities for collocation arrangements as soon as possible, but no later than 90 calendar days from receipt of a bona fide firm order. The Parties may mutually agree to renegotiate an alternative provisioning interval or BellSouth may seek a waiver from this interval from the Commission.
- 7.2 In the event BellSouth does not have space immediately available at a Remote Site Location, BellSouth may elect to make additional space available by, for example but not limited to, rearranging BellSouth facilities or constructing additional capacity. In such cases, the above intervals shall not apply and BellSouth will provision the Remote Collocation Space in a nondiscriminatory manner and at parity with BellSouth and will provide <<customer_name>> with the estimated completion date in its Response.
- 7.3 Permits. Each Party or its agents will diligently pursue filing for the permits required for the scope of work to be performed by that Party or its agents within ten (10) calendar days of the completion of finalized construction designs and specifications.
- 7.4 Acceptance Walk Through. <<customer_name>> will schedule and complete an acceptance walk through of each Collocation Space with BellSouth within fifteen (15) days of BellSouth's notifying <<customer_name>> that the collocation space is ready for occupancy. BellSouth will correct any deviations to <<customer_name>>'s original or jointly amended requirements within seven (7) calendar days after the walk through, unless the Parties jointly agree upon a different time frame.
- 7.5 Use of BellSouth Certified Supplier. <<customer_name>> shall select a supplier that has been approved by BellSouth to perform all engineering and installation work required in the Remote Collocation Space per TR 73503 specifications ("Certified Supplier"). BellSouth shall provide <<customer_name>> with a list of Certified Suppliers upon request. The Certified Supplier(s) shall be responsible for installing <<customer_name>>'s equipment and components, extending power cabling to the BellSouth power distribution frame, performing operational tests after installation is complete, and notifying BellSouth's Outside Plant engineers and <<customer_name>> upon successful completion of installation. The Certified Supplier shall bill <<customer_name>> directly for all work performed for <<customer_name>> pursuant to this Attachment and BellSouth shall have no

- liability for nor responsibility to pay such charges imposed by the Certified Supplier. BellSouth shall consider certifying <<customer_name>> or any supplier proposed by <<customer_name>>. All work performed by or for <<customer_name>> shall conform to generally accepted industry guidelines and standards.
- 7.6 Alarm and Monitoring. BellSouth may place alarms in the Remote Site Location for the protection of BellSouth equipment and facilities. <<customer_name>> shall be responsible for placement, monitoring and removal of alarms used to service <<customer_name>>'s Remote Collocation Space and for ordering the necessary services therefor. Both Parties shall use best efforts to notify the other of any verified hazardous conditions known to that Party.
- 7.7 Virtual Remote Site Collocation Relocation. BellSouth offers Virtual Collocation pursuant to the terms and conditions set forth in its F.C.C. Tariff No. 1 for Remote Site Collocation locations. The rates shall be the same as provided in this Exhibit D of this agreement.<<customer_name>> may place within its Virtual Collocation arrangements the telecommunications equipment set forth in Section 5. In the event physical Remote Collocation Space was previously denied at a Remote Site Location due to technical reasons or space limitations, and that physical Remote Collocation Space has subsequently become available, <<customer_name>> may relocate its virtual Remote Site collocation arrangements to physical Remote Site collocation arrangements and pay the appropriate non-recurring fees for physical Remote Site collocation and for the rearrangement or reconfiguration of services terminated in the virtual Remote Site collocation arrangement, as outlined in the appropriate BellSouth tariffs. In the event that BellSouth knows when additional space for physical Remote Site collocation may become available at the location requested by <<customer_name>>, such information will be provided to <<customer_name>> in BellSouth's written denial of physical Remote Site collocation. To the extent that (i) physical Remote Collocation Space becomes available to <<customer_name>> within 180 calendar days of BellSouth's written denial of <<customer_name>>'s request for physical collocation, and (ii) <<customer_name>> was not informed in the written denial that physical Remote Collocation Space would become available within such 180 calendar days, then <<customer_name>> may relocate its virtual Remote Site collocation arrangement to a physical Remote Site collocation arrangement and will receive a credit for any nonrecurring charges previously paid for such virtual Remote Site collocation. <<customer_name>> must arrange with a BellSouth Certified Supplier for the relocation of equipment from its virtual Remote Collocation Space to its physical Remote Collocation Space and will bear the cost of such relocation.
- 7.8 Cancellation. If, at anytime prior to space acceptance, <<customer_name>> cancels its order for the Remote Collocation Space(s), <<customer_name>> will reimburse BellSouth for the applicable non recurring rate for any and all work processes for which work has begun.

- 7.9 Licenses. <<customer_name>>, at its own expense, will be solely responsible for obtaining from governmental authorities, and any other appropriate agency, entity, or person, all rights, privileges, and licenses necessary or required to operate as a provider of telecommunications services to the public or to occupy the Remote Collocation Space.
- 7.10 Environmental Hazard Guidelines. The Parties agree to utilize and adhere to the Environmental Hazard Guidelines identified as Exhibit A attached hereto.

8. Rates and Charges

- 8.1 Application Fee. BellSouth will assess an Application Fee on a service order which shall be issued at the time BellSouth responds that space is available. Payment of the Application Fee will be due as dictated by <<customer_name>>'s current billing cycle and is non-refundable.
- 8.2 Recurring Charges. Recurring charges begin on the date that <<customer_name>> executes the written document accepting the Remote Collocation Space pursuant to Section 7, or on the date <<customer_name>> first occupies the Remote Collocation Space, whichever is sooner. If <<customer_name>> fails to schedule and complete a walkthrough pursuant to Section 7 within fifteen (15) days after BellSouth releases the space for occupancy, then BellSouth shall begin billing <<customer_name>> for recurring charges as of the sixteenth (16) day after BellSouth releases the Remote Collocation Space. Other charges shall be billed upon request for the services. All charges shall be due as dictated by <<customer_name>>'s current billing cycle.
- 8.3 Rack/Bay Space. The rack/bay space charge includes reasonable charges for air conditioning, ventilation and other allocated expenses associated with maintenance of the Remote Site Location, and includes amperage necessary to power <<customer_name>>'s equipment. <<customer_name>> shall pay rack/bay space charges based upon the number of racks/bays requested. BellSouth will assign Remote Collocation Space in conventional remote site rack/bay lineups where feasible
- 8.4 Power. BellSouth shall make available -48 Volt (-48V) DC power for <<customer_name>>'s Remote Collocation Space at a BellSouth Power Board (Fuse and Alarm Panel) or BellSouth Battery Distribution Fuse Bay ("BDFB") at <<customer_name>>'s option within the Remote Site Location. The charge for power shall be assessed as part of the recurring charge for rack/bay space. If the power requirements for <<customer_name>>'s equipment exceeds the capacity for the rack/bay, then such power requirements shall be assessed on a recurring per amp basis for the individual case.

- 8.4.1 Charges for AC power will be assessed per breaker ampere per month. Rates include the provision of commercial and standby AC power, where available. When obtaining power from a BellSouth service panel, protection devices and power cables must be engineered (sized), and installed by <<customer_name>>'s BellSouth Certified Supplier except that BellSouth shall engineer and install protection devices and power cables for Adjacent Collocation. <<customer_name>>'s BellSouth Certified Supplier must also provide a copy of the engineering power specification prior to the Commencement Date. AC power voltage and phase ratings shall be determined on a per location basis. At <<customer_name>>'s option, <<customer_name>> may arrange for AC power in an Adjacent Collocation arrangement from a retail provider of electrical power.
- 8.5 Security Escort. A security escort will be required whenever <<customer_name>> or its approved agent desires access to the Remote Site Location after the one accompanied site visit allowed prior to completing BellSouth's Security Training requirements. The parties will negotiate appropriate security escort rates which will be assessed on a one half (1/2) hour increment basis.
- 8.6 Rate "True-Up". The Parties agree that the prices reflected as interim herein shall be "trued-up" (up or down) based on final prices either determined by further agreement or by an effective order, in a proceeding involving BellSouth before the regulatory authority for the state in which the services are being performed or any other body having jurisdiction over this Agreement (hereinafter "Commission"). Under the "true-up" process, the interim price for each service shall be multiplied by the volume of that service purchased to arrive at the total interim amount paid for that service ("Total Interim Price"). The final price for that service shall be multiplied by the volume purchased to arrive at the total final amount due ("Total Final Price"). The Total Interim Price shall be compared with the Total Final Price. If the Total Final Price is more than the Total Interim Price, <<customer_name>> shall pay the difference to BellSouth. If the Total Final Price is less than the Total Interim Price, BellSouth shall pay the difference to <<customer_name>>. Each Party shall keep its own records upon which a "true-up" can be based and any final payment from one Party to the other shall be in an amount agreed upon by the Parties based on such records. In the event of any disagreement as between the records or the Parties regarding the amount of such "true-up," the Parties agree that the Commission shall be called upon to resolve such differences.
- 8.7 Other. If no rate is identified in the contract, the rate for the specific service or function will be negotiated by the Parties upon request by either Party. Payment of all other charges under this Attachment shall be due as dictated by <<customer_name>>'s current billing cycle. <<customer_name>> will pay a late payment charge of the lesser of one and one half percent or the legal interest rate assessed monthly on any balance which remains unpaid after the payment due date..

9. Insurance

- 9.1 Maintain Insurance. <<customer_name>> shall, at its sole cost and expense, procure, maintain, and keep in force insurance as specified in this Section 9 and underwritten by insurance companies licensed to do business in the states applicable under this Attachment and having a Best's Insurance Rating of A-.
- 9.2 Coverage. <<customer_name>> shall maintain the following specific coverage:
- 9.2.1 Commercial General Liability coverage in the amount of ten million dollars (\$10,000,000.00) or a combination of Commercial General Liability and Excess/Umbrella coverage totaling not less than ten million dollars (\$10,000,000.00). BellSouth shall be named as an Additional Insured on the Commercial General Liability policy as specified herein.
- 9.2.2 Statutory Workers Compensation coverage and Employers Liability coverage in the amount of one hundred thousand dollars (\$100,000.00) each accident, one hundred thousand dollars (\$100,000.00) each employee by disease, and five hundred thousand dollars (\$500,000.00) policy limit by disease.
- 9.2.3 All Risk Property coverage on a full replacement cost basis insuring all of <<customer_name>>'s real and personal property situated on or within BellSouth's Remote Site Location.
- 9.2.4 <<customer_name>> may elect to purchase business interruption and contingent business interruption insurance, having been advised that BellSouth assumes no liability for loss of profit or revenues should an interruption of service occur.
- 9.3 Limits. The limits set forth in Section 9.2 above may be increased by BellSouth from time to time during the term of this Attachment upon thirty (30) days notice to <<customer_name>> to at least such minimum limits as shall then be customary with respect to comparable occupancy of BellSouth structures.
- 9.4 All policies purchased by <<customer_name>> shall be deemed to be primary. All policies purchased by <<customer_name>> shall be deemed to be primary and not contributing to or in excess of any similar coverage purchased by BellSouth. All insurance must be in effect on or before the date equipment is delivered to BellSouth's Remote Site Location and shall remain in effect for the term of this Attachment or until all <<customer_name>>'s property has been removed from BellSouth's Remote Site Location, whichever period is longer. If <<customer_name>> fails to maintain required coverage, BellSouth may pay the premiums thereon and seek reimbursement of same from <<customer_name>>.
- 9.5 Submit certificates of insurance. <<customer_name>> shall submit certificates of insurance reflecting the coverage required pursuant to this Section a minimum of ten

(10) business days prior to the commencement of any work in the Remote Collocation Space. Failure to meet this interval may result in construction and equipment installation delays. <<customer_name>> shall arrange for BellSouth to receive thirty (30) business days' advance notice of cancellation from <<customer_name>>'s insurance company. <<customer_name>> shall forward a certificate of insurance and notice of cancellation/non-renewal to BellSouth at the following address:

BellSouth Telecommunications, Inc.
Attn.: Risk Management Coordinator
675 W. Peachtree Street
Rm. 17H53
Atlanta, Georgia 30375

- 9.6 Conformance to recommendations made by BellSouth's fire insurance company. <<customer_name>> must conform to recommendations made by BellSouth's fire insurance company to the extent BellSouth has agreed to, or shall hereafter agree to, such recommendations.
- 9.7 Self-Insurance. If <<customer_name>>'s net worth exceeds five hundred million dollars (\$500,000,000), <<customer_name>> may elect to request self-insurance status in lieu of obtaining any of the insurance required in Sections 9.2.1 and Section 9.2.3. <<customer_name>> shall provide audited financial statements to BellSouth thirty (30) days prior to the commencement of any work in the Remote Collocation Space. BellSouth shall then review such audited financial statements and respond in writing to <<customer_name>> in the event that self-insurance status is not granted to <<customer_name>>. If BellSouth approves <<customer_name>> for self-insurance, <<customer_name>> shall annually furnish to BellSouth, and keep current, evidence of such net worth that is attested to by one of <<customer_name>>'s corporate officers. The ability to self-insure shall continue so long as <<customer_name>> meets all of the requirements of this Section. If <<customer_name>> subsequently no longer satisfies this Section, <<customer_name>> is required to purchase insurance as indicated by Sections 9.2.1 and Section 9.2.3.
- 9.8 Net worth requirements. The net worth requirements set forth in Section 9.7 may be increased by BellSouth from time to time during the term of this Attachment upon thirty (30) days' notice to <<customer_name>> to at least such minimum limits as shall then be customary with respect to comparable occupancy of BellSouth structures.
- 9.9 Failure to comply. Failure to comply with the provisions of this Section will be deemed a material breach of this Attachment.

10. Mechanics Liens

- 10.1 Mechanics Lien or other Liens. If any mechanics lien or other liens shall be filed against property of either Party (BellSouth or <<customer_name>>), or any improvement thereon by reason of or arising out of any labor or materials furnished or alleged to have been furnished or to be furnished to or for the other Party or by reason of any changes, or additions to said property made at the request or under the direction of the other Party, the other Party directing or requesting those changes shall, within thirty (30) business days after receipt of written notice from the Party against whose property said lien has been filed, either pay such lien or cause the same to be bonded off the affected property in the manner provided by law. The Party causing said lien to be placed against the property of the other shall also defend, at its sole cost and expense, on behalf of the other, any action, suit or proceeding which may be brought for the enforcement of such liens and shall pay any damage and discharge any judgment entered thereon.

11. Inspections

- 11.1 BellSouth may conduct inspection. BellSouth may conduct an inspection of <<customer_name>>'s equipment and facilities in the Remote Collocation Space(s) prior to the activation of facilities between <<customer_name>>'s equipment and equipment of BellSouth. BellSouth may conduct an inspection if <<customer_name>> adds equipment and may otherwise conduct routine inspections at reasonable intervals mutually agreed upon by the Parties. BellSouth shall provide <<customer_name>> with a minimum of forty-eight (48) hours or two (2) business days, whichever is greater, advance notice of all such inspections. All costs of such inspection shall be borne by BellSouth.

12. Security and Safety Requirements

- 12.1 <<customer_name>> will be required, at its own expense, to conduct a statewide investigation of criminal history records for each <<customer_name>> employee being considered for work on the BellSouth Premises, for the states/counties where the <<customer_name>> employee has worked and lived for the past five years. Where state law does not permit statewide collection or reporting, an investigation of the applicable counties is acceptable. <<customer_name>> shall not be required to perform this investigation if an affiliated company of <<customer_name>> has performed an investigation of the <<customer_name>> employee seeking access, if such investigation meets the criteria set forth above. This requirement will not apply if <<customer_name>> has performed a pre-employment statewide investigation of criminal history records of the <<customer_name>> employee for the states/counties where the <<customer_name>> employee has worked and lived for the past five years or, where state law does not permit a statewide investigation, an investigation of the applicable counties.

- 12.2 <<customer_name>> shall provide its employees and agents with picture identification which must be worn and visible at all times while in the Collocation Space or other areas in or around the Premises. The photo Identification card shall bear, at a minimum, the employee's name and photo, and the <<customer_name>> name. BellSouth reserves the right to remove from its premises any employee of <<customer_name>> not possessing identification issued by <<customer_name>> or who have violated any of BellSouth's policies as outlined in the CLEC Security Training documents. <<customer_name>> shall hold BellSouth harmless for any damages resulting from such removal of its personnel from BellSouth premises. <<customer_name>> shall be solely responsible for ensuring that any Guest of <<customer_name>> is in compliance with all subsections of this Section 12.
- 12.3 <<customer_name>> will be required to administer to their personnel assigned to the BellSouth Premises security training either provided by BellSouth, or meeting criteria defined by BellSouth.
- 12.4 <<customer_name>> shall not assign to the BellSouth Premises any personnel with records of felony criminal convictions. <<customer_name>> shall not assign to the BellSouth Premises any personnel with records of misdemeanor convictions, except for misdemeanor traffic violations, without advising BellSouth of the nature and gravity of the offense(s). BellSouth reserves the right to refuse access to any <<customer_name>> personnel who have been identified to have misdemeanor criminal convictions. Notwithstanding the foregoing, in the event that <<customer_name>> chooses not to advise BellSouth of the nature and gravity of any misdemeanor conviction, <<customer_name>> may, in the alternative, certify to BellSouth that it shall not assign to the BellSouth Premises any personnel with records of misdemeanor convictions (other than misdemeanor traffic violations).
- 12.4.1 <<customer_name>> shall not knowingly assign to the BellSouth Premises any individual who was a former employee of BellSouth and whose employment with BellSouth was terminated for a criminal offense whether or not BellSouth sought prosecution of the individual for the criminal offense.
- 12.4.2 <<customer_name>> shall not knowingly assign to the BellSouth Premises any individual who was a former contractor of BellSouth and whose access to a BellSouth Premises was revoked due to commission of a criminal offense whether or not BellSouth sought prosecution of the individual for the criminal offense.
- 12.5 For each <<customer_name>> employee requiring access to a BellSouth Premises pursuant to this Attachment, <<customer_name>> shall furnish BellSouth, prior to an employee gaining such access, a certification that the aforementioned background check and security training were completed. The certification will contain a statement that no felony convictions were found and certifying that the security training was completed by the employee. If the employee's criminal history includes misdemeanor convictions, <<customer_name>> will disclose the nature of the convictions to

- BellSouth at that time. In the alternative, <<customer_name>> may certify to BellSouth that it shall not assign to the BellSouth Premises any personnel with records of misdemeanor convictions other than misdemeanor traffic violations.
- 12.6 At BellSouth's request, <<customer_name>> shall promptly remove from BellSouth's Premises any employee of <<customer_name>> BellSouth does not wish to grant access to its premises 1) pursuant to any investigation conducted by BellSouth or 2) prior to the initiation of an investigation if an employee of <<customer_name>> is found interfering with the property or personnel of BellSouth or another CLEC, provided that an investigation shall promptly be commenced by BellSouth.
- 12.7 Notification to BellSouth. BellSouth reserves the right to interview <<customer_name>>'s employees, agents, or contractors in the event of wrongdoing in or around BellSouth's property or involving BellSouth's or another CLEC's property or personnel, provided that BellSouth shall provide reasonable notice to <<customer_name>>'s Security contact of such interview. <<customer_name>> and its contractors shall reasonably cooperate with BellSouth's investigation into allegations of wrongdoing or criminal conduct committed by, witnessed by, or involving <<customer_name>>'s employees, agents, or contractors. Additionally, BellSouth reserves the right to bill <<customer_name>> for all reasonable costs associated with investigations involving its employees, agents, or contractors if it is established and mutually agreed in good faith that <<customer_name>>'s employees, agents, or contractors are responsible for the alleged act. BellSouth shall bill <<customer_name>> for BellSouth property which is stolen or damaged where an investigation determines the culpability of <<customer_name>>'s employees, agents, or contractors and where <<customer_name>> agrees, in good faith, with the results of such investigation. <<customer_name>> shall notify BellSouth in writing immediately in the event that the <<customer_name>> discovers one of its employees already working on the BellSouth premises is a possible security risk. Upon request of the other Party, the Party who is the employer shall discipline consistent with its employment practices, up to and including removal from BellSouth Premises, any employee found to have violated the security and safety requirements of this section. <<customer_name>> shall hold BellSouth harmless for any damages resulting from such removal of its personnel from BellSouth premises.
- 12.8 Use of Supplies. Unauthorized use of telecommunications equipment or supplies by either Party, whether or not used routinely to provide telephone service (e.g. plug-in cards,) will be strictly prohibited and handled appropriately. Costs associated with such unauthorized use may be charged to the offending Party, as may be all associated investigative costs.
- 12.9 Use of Official Lines. Except for non-toll calls necessary in the performance of their work, neither Party shall use the telephones of the other Party on the BellSouth Premises. Charges for unauthorized telephone calls may be charged to the offending

Party, as may be all associated investigative costs. In no event shall <<customer_name>>, its agents, vendors or employees access BellSouth or any other CLEC's end user telephone lines.

- 12.10 Accountability. Full compliance with the Security requirements of this section shall in no way limit the accountability of either Party to the other for the improper actions of its employees.

13. Destruction of Remote Collocation Space

- 13.1 Remote Collocation Space is damaged. In the event a Remote Collocation Space is wholly or partially damaged by fire, windstorm, tornado, flood or by similar causes to such an extent as to be rendered wholly unsuitable for <<customer_name>>'s permitted use hereunder, then either Party may elect within ten (10) business days after such damage, to terminate this Attachment with respect to the affected Remote Collocation Space, and if either Party shall so elect, by giving the other written notice of termination, both Parties shall stand released of and from further liability under the terms hereof with respect to such Remote Collocation Space. If the Remote Collocation Space shall suffer only minor damage and shall not be rendered wholly unsuitable for <<customer_name>>'s permitted use, or is damaged and the option to terminate is not exercised by either Party, BellSouth covenants and agrees to proceed promptly without expense to <<customer_name>>, except for improvements not the property of BellSouth, to repair the damage. BellSouth shall have a reasonable time within which to rebuild or make any repairs, and such rebuilding and repairing shall be subject to delays caused by storms, shortages of labor and materials, government regulations, strikes, walkouts, and causes beyond the control of BellSouth, which causes shall not be construed as limiting factors, but as exemplary only. <<customer_name>> may, at its own expense, accelerate the rebuild of its Remote Collocation Space and equipment provided however that a BellSouth Certified Contractor is used and the necessary space preparation has been completed. Rebuild of equipment must be performed by a BellSouth Certified Vendor. If <<customer_name>>'s acceleration of the project increases the cost of the project, then those additional charges will be incurred by <<customer_name>>. Where allowed and where practical, <<customer_name>> may erect a temporary facility while BellSouth rebuilds or makes repairs. In all cases where the Remote Collocation Space shall be rebuilt or repaired, <<customer_name>> shall be entitled to an equitable abatement of rent and other charges, depending upon the unsuitability of the Remote Collocation Space for <<customer_name>>'s permitted use, until such Remote Collocation Space is fully repaired and restored and <<customer_name>>'s equipment installed therein (but in no event later than thirty (30) business days after the Remote Collocation Space is fully repaired and restored). Where <<customer_name>> has placed a Remote Site Adjacent Arrangement pursuant to section 3.4, <<customer_name>> shall have the sole responsibility to repair or replace said Remote Site Adjacent Arrangement provided herein. Pursuant to this section,

BellSouth will restore the associated services to the Remote Site Adjacent Arrangement.

14. Eminent Domain

- 14.1 Power of Eminent Domain. If the whole of a Remote Collocation Space or Remote Site Adjacent Arrangement shall be taken by any public authority under the power of eminent domain, then this Attachment shall terminate with respect to such Remote Collocation Space or Remote Site Adjacent Arrangement as of the day possession shall be taken by such public authority and rent and other charges for the Remote Collocation Space or Remote Site Adjacent Arrangement shall be paid up to that day with proportionate refund by BellSouth of such rent and charges as may have been paid in advance for a period subsequent to the date of the taking. If any part of the Remote Collocation Space or Remote Site Adjacent Arrangement shall be taken under eminent domain, BellSouth and <<customer_name>> shall each have the right to terminate this Attachment with respect to such Remote Collocation Space or Remote Site Adjacent Arrangement and declare the same null and void, by written notice of such intention to the other Party within ten (10) business days after such taking.

15. Nonexclusivity

- 15.1 Attachment is not exclusive. <<customer_name>> understands that this Attachment is not exclusive and that BellSouth may enter into similar agreements with other Parties. Assignment of space pursuant to all such agreements shall be determined by space availability and made on a first come, first served basis.

ENVIRONMENTAL AND SAFETY PRINCIPLES

The following principles provide basic guidance on environmental and safety issues when applying for and establishing Physical Collocation arrangements.

1. GENERAL PRINCIPLES

- 1.1 Compliance with Applicable Law. BellSouth and <<customer_name>> agree to comply with applicable federal, state, and local environmental and safety laws and regulations including U.S. Environmental Protection Agency (USEPA) regulations issued under the Clean Air Act (CAA), Clean Water Act (CWA), Resource Conservation and Recovery Act (RCRA), Comprehensive Environmental Response, Compensation and Liability Act (CERCLA), Superfund Amendments and Reauthorization Act (SARA), the Toxic Substances Control Act (TSCA), and OSHA regulations issued under the Occupational Safety and Health Act of 1970, as amended and NFPA and National Electrical Codes (NEC) and the NESC (“Applicable Laws”). Each Party shall notify the other if compliance inspections are conducted by regulatory agencies and/or citations are issued that relate to any aspect of this Attachment.
- 1.2 Notice. BellSouth and <<customer_name>> shall provide notice to the other, including Material Safety Data Sheets (MSDSs), of known and recognized physical hazards or Hazardous Chemicals existing on site or brought on site. Each Party is required to provide specific notice for known potential Imminent Danger conditions. <<customer_name>> should contact 1-800-743-6737 for BellSouth MSDS sheets.
- 1.3 Practices/Procedures. BellSouth may make available additional environmental control procedures for <<customer_name>> to follow when working at a BellSouth Premises (See Section 2, below). These practices/procedures will represent the regular work practices required to be followed by the employees and contractors of BellSouth for environmental protection. <<customer_name>> will require its contractors, agents and others accessing the BellSouth Premises to comply with these practices. Section 2 lists the Environmental categories where BST practices should be followed by <<customer_name>> when operating in the BellSouth Premises.
- 1.4 Environmental and Safety Inspections. BellSouth reserves the right to inspect the <<customer_name>> space with proper notification. BellSouth reserves the right to stop any <<customer_name>> work operation that imposes Imminent Danger to the environment, employees or other persons in the area or Facility.
- 1.5 Hazardous Materials Brought On Site. Any hazardous materials brought into, used, stored or abandoned at the BellSouth Premises by <<customer_name>> are owned by

- <<customer_name>>. <<customer_name>> will indemnify BellSouth for claims, lawsuits or damages to persons or property caused by these materials. Without prior written BellSouth approval, no substantial new safety or environmental hazards can be created by <<customer_name>> or different hazardous materials used by <<customer_name>> at BellSouth Facility. <<customer_name>> must demonstrate adequate emergency response capabilities for its materials used or remaining at the BellSouth Facility.
- 1.6 Spills and Releases. When contamination is discovered at a BellSouth Premises, the Party discovering the condition must notify BellSouth. All Spills or Releases of regulated materials will immediately be reported by <<customer_name>> to BellSouth.
- 1.7 Coordinated Environmental Plans and Permits. BellSouth and <<customer_name>> will coordinate plans, permits or information required to be submitted to government agencies, such as emergency response plans, spill prevention control and countermeasures (SPCC) plans and community reporting. If fees are associated with filing, BellSouth and <<customer_name>> will develop a cost sharing procedure. If BellSouth's permit or EPA identification number must be used, <<customer_name>> must comply with all of BellSouth's permit conditions and environmental processes, including environmental "best management practices (BMP)" (see Section 2, below) and/or selection of BST disposition vendors and disposal sites.
- 1.8 Environmental and Safety Indemnification. BellSouth and <<customer_name>> shall indemnify, defend and hold harmless the other Party from and against any claims (including, without limitation, third-party claims for personal injury or death or real or personal property damage), judgments, damages, (including direct and indirect damages, and punitive damages), penalties, fines, forfeitures, costs, liabilities, interest and losses arising in connection with the violation or alleged violation of any Applicable Law or contractual obligation or the presence or alleged presence of contamination arising out of the acts or omissions of the indemnifying Party, its agents, contractors, or employees concerning its operations at the Facility.
- 2. CATEGORIES FOR CONSIDERATION OF ENVIRONMENTAL ISSUES**
- When performing functions that fall under the following Environmental categories on BellSouth's Premises, <<customer_name>> agrees to comply with the applicable sections of the current issue of BellSouth's Environmental and Safety Methods and Procedures (M&Ps), incorporated herein by this reference. <<customer_name>> further agrees to cooperate with BellSouth to ensure that <<customer_name>>'s employees, agents, and/or subcontractors are knowledgeable of and satisfy those provisions of BellSouth's Environmental M&Ps which apply to the specific Environmental function being performed by <<customer_name>>, its employees, agents and/or subcontractors.

The most current version of reference documentation must be requested from BellSouth.

ENVIRONMENTAL CATEGORIES	ENVIRONMENTAL ISSUES	ADDRESSED BY THE FOLLOWING DOCUMENTATION
Disposal of hazardous material or other regulated material (e.g., batteries, fluorescent tubes, solvents & cleaning materials)	Compliance with all applicable local, state, & federal laws and regulations Pollution liability insurance EVET approval of contractor	<ul style="list-style-type: none"> • Std T&C 450 • Fact Sheet Series 17000 • Std T&C 660-3 • Approved Environmental Vendor List (Contact E/S Management)
Emergency response	Hazmat/waste release/spill firesafety emergency	<ul style="list-style-type: none"> • Fact Sheet Series 1700 • Building Emergency Operations Plan (EOP) (specific to and located on Premises)
Contract labor/outsourcing for services with environmental implications to be performed on BellSouth Premises (e.g., disposition of hazardous material/waste; maintenance of storage tanks)	Compliance with all applicable local, state, & federal laws and regulations Performance of services in accordance with BST's environmental M&Ps Insurance	<ul style="list-style-type: none"> • Std T&C 450 • Std T&C 450-B • (Contact E/S for copy of appropriate E/S M&Ps.) • Std T&C 660
Transportation of hazardous material	Compliance with all applicable local, state, & federal laws and regulations Pollution liability insurance EVET approval of contractor	<ul style="list-style-type: none"> • Std T&C 450 • Fact Sheet Series 17000 • Std T&C 660-3 • Approved Environmental Vendor List (Contact E/S Management)
Maintenance/operations work which may produce a waste Other maintenance work	Compliance with all application local, state, & federal laws and regulations Protection of BST employees and equipment	<ul style="list-style-type: none"> • Std T&C 450 • 29CFR 1910.147 (OSHA Standard) • 29CFR 1910 Subpart O

		(OSHA Standard)
Janitorial services	All waste removal and disposal must conform to all applicable federal, state and local regulations All Hazardous Material and Waste Asbestos notification and protection of employees and equipment	<ul style="list-style-type: none"> • P&SM Manager - Procurement • Fact Sheet Series 17000 • GU-BTEN-001BT, Chapter 3 • BSP 010-170-001BS (Hazcom)
Manhole cleaning	Compliance with all applicable local, state, & federal laws and regulations Pollution liability insurance EVET approval of contractor	<ul style="list-style-type: none"> • Std T&C 450 • Fact Sheet 14050 • BSP 620-145-011PR Issue A, August 1996 • Std T&C 660-3 • Approved Environmental Vendor List (Contact E/S Management)
Removing or disturbing building materials that may contain asbestos	Asbestos work practices	<ul style="list-style-type: none"> • GU-BTEN-001BT, Chapter 3

3. DEFINITIONS

Generator. Under RCRA, the person whose act produces a Hazardous Waste, as defined in 40 CFR 261, or whose act first causes a Hazardous Waste to become subject to regulation. The Generator is legally responsible for the proper management and disposal of Hazardous Wastes in accordance with regulations.

Hazardous Chemical. As defined in the U.S. Occupational Safety and Health (OSHA) hazard communication standard (29 CFR 1910.1200), any chemical which is a health hazard or physical hazard.

Hazardous Waste. As defined in section 1004 of RCRA.

Imminent Danger. Any conditions or practices at a facility which are such that a danger exists which could reasonably be expected to cause immediate death or serious harm to people or immediate significant damage to the environment or natural resources.

Spill or Release. As defined in Section 101 of CERCLA.

4. ACRONYMS

E/S – Environmental/Safety

EVET - Environmental Vendor Evaluation Team

DEC/LDEC - Department Environmental Coordinator/Local Department Environmental Coordinator

GU-BTEN-001BT - BellSouth Environmental Methods and Procedures

NESC - National Electrical Safety Codes

P&SM - Property & Services Management

Std. T&C - Standard Terms & Conditions

Interval Matrix

State	Type	Space Availability/Bona Fide Firm Order	Application Response/Price Quote	Construction and Provisioning	
				Ordinary	Extraordinary
Alabama ¹	Cageless	10 Calendar Days	23 Business Days	60 Cal	90 Cal
Florida	Cageless	15 Calendar Days	15 Calendar Days*	90 Cal	NA
Georgia	Cageless	10 Calendar Days	30 Calendar Days	60 Cal	90 Cal
Kentucky ¹	Cageless	10 Calendar Days	23 Business Days	76 Bus.	91 Bus
Louisiana	Cageless	10 Calendar Days*	30 Calendar Days*	90 Cal	120 Cal
Mississippi	Cageless	10 Business Days	30 Business Days*	120 Cal	180Cal
North Carolina ¹	Cageless	10 Calendar Days	23 Business Days	76 Bus.	91 Bus
South Carolina	Cageless	10 Calendar Days	30 Calendar Days*	90 Cal	NA Cal
Tennessee ¹	Cageless	10 Calendar Days	23 Business Days	76 Bus.	91 Bus

* Extended intervals shall apply when multiple applications are submitted.

Note 1: The intervals were set by the FCC's Order in Docket No. 98-147 released February 20, 2001.

The construction and provisioning intervals, as listed for these states, will apply if a forecast is submitted three (3) months prior to the application date. Extended intervals shall apply if the forecast is not received three (3) months in advance.

THREE MONTH CLEC FORECAST

CLEC NAME _____

DATE _____

STATE	Central Office/City	CAGED Sq. Ft.	CAGELESS # Bays		FRAME TERMINATIONS	CLEC Provided BDFB--Amps Load	BST Provided BDFB---Amps Load	Heat Dissipation BTU/Hour	Entrance Facilities # sheaths & # fibers	Proposed Application Date	NOTES
			Standard Bays*	Non- Standard Bays**							

*Standard bays are defined as racks, bays or cabinets, including equipment and cable, with measurements equal to or less than the following: Width - 26", Depth - 25". The standard height for all collocated equipment bays in BellSouth is 7' 0".

** Any forecast for non-standard cageless bays must include an attachment describing the quantity and width and depth measurements.

Notes: Forecast information will be used for no other purpose than collocation planning.
 Version 2Q01: 06/15/01

Forecast with application dates greater than 3 months from the date of submission will not guarantee the reservation of space in the office requested.

Attachment 4-TN
Physical Caged Collocation

BELLSOUTH PHYSICAL COLLOCATION

1. Scope of Attachment

- 1.1 Scope of Attachment. The rates, terms, and conditions contained within this Attachment shall only apply when <<customer_name>> is occupying Caged Collocation Space as a sole occupant or as a Host within a Premises location pursuant to Section 4. This Attachment is applicable to Premises owned or leased by BellSouth. However, if the Premises occupied by BellSouth is leased by BellSouth from a third party, special considerations and intervals may apply in addition to the terms and conditions of this Attachment.

All the rates, terms and conditions set forth in this Attachment pertain to collocation and the provisioning of Collocation Space.

- 1.2 Right to Occupy. Subject to this Attachment, BellSouth allows <<customer_name>> to occupy that certain area designated by BellSouth within a BellSouth Premises, or on BellSouth property upon which the BellSouth Premises is located, of a size which is specified by <<customer_name>> and agreed to by BellSouth (hereinafter "Collocation Space"). BellSouth Premises include BellSouth Central Offices and Serving Wire Centers. The necessary rates, terms and conditions for BellSouth locations other than BellSouth Premises shall be negotiated upon request for collocation at such location(s).
- 1.2.1 The size specified by <<customer_name>> may contemplate a request for space sufficient to accommodate <<customer_name>>'s growth within a two-year period.
- 1.2.2 Neither BellSouth nor any of BellSouth's affiliates may reserve space for future use on more preferential terms than those set forth above.
- 1.3 Space Reclamation. In the event of space exhaust within a Central Office Premises, BellSouth may include in its documentation for the Petition for Waiver filing any unutilized space in the Central Office Premises. <<customer_name>> will be responsible for any justification of unutilized space within its space, if such justification is required by the appropriate state commission.
- 1.4 Use of Space. <<customer_name>> shall use the Caged Collocation Space for the purposes of installing, maintaining and operating <<customer_name>>'s equipment (to include testing and monitoring equipment) necessary for interconnection with BellSouth services and facilities, including access to unbundled network elements, for the provision of telecommunications services. The Collocation Space may be used for no other purposes except as specifically described herein or authorized in writing by BellSouth.
- 1.5 Rates and Charges. <<customer_name>> agrees to pay the rates and charges identified in Exhibit D attached hereto.

1.6 <<customer_name>> agrees to comply with all applicable federal, state, county, local and administrative laws, rules, ordinances, regulations and codes in the performance of their obligations hereunder.

2. Space Notification

2.1 Availability of Space. Upon submission of an Application pursuant to Section 6, BellSouth will permit <<customer_name>> to physically collocate, pursuant to the terms of this Attachment, at any BellSouth Premises, unless BellSouth has determined that there is no space available due to space limitations or that physical collocation is not practical for technical reasons.

2.1.1 Availability Notification. BellSouth will respond to an application within eight (8) business days as to whether space is available or not available within BellSouth Premises. BellSouth will also respond as to whether the Application is Bona Fide and if it is not Bona Fide the items necessary to cause the Application to become Bona Fide. If the amount of space requested is not available, BellSouth will notify <<customer_name>> of the amount of space that is available and no Planning Fee shall apply. When BellSouth's response includes an amount of space less than that requested by <<customer_name>> or differently configured, <<customer_name>> must resubmit its Application to reflect the actual space available. If there is no readily available space, BellSouth will so notify <<customer_name>> within this eight (8) business day interval and BellSouth will determine whether space can be made available and will notify <<customer_name>> within twenty (20) business days of such notification as to whether space is available or not, in accordance with this section.

2.2 Denial of Application. After notifying <<customer_name>> that BellSouth has no available space in the requested Premises ("Denial of Application"), BellSouth will allow <<customer_name>>, upon request, to tour the entire Premises within ten (10) calendar days of such Denial of Application. In order to schedule said tour within ten (10) calendar days, the request for a tour of the Premises must be received by BellSouth within five (5) calendar days of the Denial of Application.

2.3 Filing of Petition for Waiver. Upon Denial of Application BellSouth will timely file a petition with the Commission pursuant to 47 U.S.C. § 251(c)(6). BellSouth shall provide to the Commission any information requested by that Commission. Such information shall include which space, if any, BellSouth or any of BellSouth's affiliates have reserved for future use and a detailed description of the specific future uses for which the space has been reserved. Subject to an appropriate nondisclosure agreement or provision, BellSouth shall permit <<customer_name>> to inspect any floor plans or diagrams that BellSouth provides to the Commission.

2.4 Waiting List. Unless otherwise specified, on a first-come, first-served basis governed by the date of receipt of an Application or a Letter of Intent, BellSouth will maintain a waiting list of requesting carriers who have either received a Denial of Application or, where it is publicly known that the Premises is out of space, have submitted a Letter

- of Intent to collocate. BellSouth will notify the telecommunications carriers on the waiting list when space becomes available according to how much space becomes available and the position of telecommunications carrier on said waiting list. <<customer_name>> must submit an updated, complete, and correct Application to BellSouth within 30 calendar days of such notification or notify BellSouth in writing within that time that <<customer_name>> wants to maintain its place on the waiting list either without accepting such space or accepting an amount of space less than its original request. If <<customer_name>> does not submit such an Application or notify BellSouth in writing as described above, BellSouth will offer such space to the next CLEC on the waiting list and remove <<customer_name>> from the waiting list. Upon request, BellSouth will advise <<customer_name>> as to its position on the list.
- 2.6 Public Notification. BellSouth will maintain on its Interconnection Services website a notification document that will indicate all Central Offices that are without available space. BellSouth shall update such document within ten (10) calendar days of the Denial of Application due to Space Exhaust. BellSouth will also post a document on its Interconnection Services website that contains a general notice where space has become available in a Central Office previously on the space exhaust list. BellSouth shall allocate said available space pursuant to the waiting list referenced in Section 2.5.
- 3. Collocation Option**
- 3.1 Cages. BellSouth shall construct enclosures in compliance with <<customer_name>>'s collocation request subject to BellSouth's construction requirements.
- 3.2 <<customer_name>> must provide the local BellSouth building_contact with two Access Keys used to enter the locked enclosure. Except in case of emergency, BellSouth will not access <<customer_name>>'s locked enclosure prior to notifying <<customer_name>>.
- 3.3 Shared (Subleased) Caged Collocation. <<customer_name>> may allow other telecommunications carriers to share <<customer_name>>'s caged collocation arrangement pursuant to terms and conditions agreed to by <<customer_name>> ("Host") and other telecommunications carriers ("Guests") and pursuant to this section, except where the BellSouth Premises is located within a leased space and BellSouth is prohibited by said lease from offering such an option. <<customer_name>> shall notify BellSouth in writing upon execution of any agreement between the Host and its Guest within ten (10) calendar days of its execution and prior to any Firm Order. Further, such notice shall include the name of the Guest(s) and the term of the agreement, and shall contain a certification by <<customer_name>> that said agreement imposes upon the Guest(s) the same terms and conditions for Collocation Space as set forth in this Attachment between BellSouth and <<customer_name>>.

3.3.1 <<customer_name>>, as the host CLEC shall be the sole interface and responsible Party to BellSouth for the assessment and billing of rates and charges contained within this Attachment; and for the purposes of ensuring that the safety and security requirements of this Attachment are fully complied with by the Guest, its employees and agents. BellSouth shall prorate the costs of the collocation space based on the number of collocators and the space used by each. In addition to the foregoing, <<customer_name>> shall be the responsible party to BellSouth for the purpose of submitting Applications for initial and additional equipment placement of Guest. In the event the Host and Guest jointly submit an initial Application, only one Planning Fee will be assessed. A separate initial Guest application shall require the assessment of a subsequent Planning Fee.. Notwithstanding the foregoing, Guest may arrange directly with BellSouth for the provision of the interconnecting facilities between BellSouth and Guest and for the provision of the services and access to unbundled network elements.

3.3.2 <<customer_name>> shall indemnify and hold harmless BellSouth from any and all claims, actions, causes of action, of whatever kind or nature arising out of the presence of <<customer_name>>'s Guests in the Collocation Space except to the extent caused by BellSouth's sole negligence, gross negligence, or willful misconduct.

4. Occupancy

4.1 Commencement Date. The "Commencement Date" shall be the day <<customer_name>>'s equipment becomes operational as described in Article 4.2, following.

4.2 Occupancy. BellSouth will notify <<customer_name>> in writing that the Collocation Space is ready for occupancy. <<customer_name>> must notify BellSouth in writing that collocation equipment installation is complete and is operational with BellSouth's network. BellSouth may, at its option, not accept orders for interconnected service until receipt of such notice. For purposes of this paragraph, <<customer_name>>'s telecommunications equipment will be deemed operational when cross-connected to BellSouth's network for the purpose of service provision.

4.3 Termination of Occupancy. In addition to any other provisions addressing Termination of Occupancy in this Agreement, Termination of Occupancy may occur in the following circumstances:

4.3.1 BellSouth may terminate <<customer_name>>'s occupancy for <<customer_name>>'s failure to comply with any provision of this Agreement.

4.3.2 <<customer_name>> may terminate occupancy in a particular Collocation Space by submitting a Subsequent Application requesting termination of occupancy.

4.3.3 Upon termination of such occupancy, <<customer_name>> at its expense shall remove its equipment and other property from the Collocation Space. <<customer_name>> shall have thirty (30) calendar days from the termination date to

complete such removal, including the removal of all equipment and facilities of <<customer_name>>'s Guests, unless <<customer_name>>'s guest has assumed responsibility for the collocation space housing the guest equipment and executed the documentation required by BellSouth prior to such removal date.

<<customer_name>> shall continue payment of monthly fees to BellSouth until such date as <<customer_name>> has fully vacated the Collocation Space. Should <<customer_name>> or <<customer_name>>'s Guest fail to vacate the Collocation Space within thirty (30) calendar days from the termination date, BellSouth shall have the right to remove the equipment and other property of <<customer_name>> or <<customer_name>>'s Guest at <<customer_name>>'s expense and with no liability for damage or injury to <<customer_name>> or <<customer_name>>'s Guest's property unless caused by the gross negligence or intentional misconduct of BellSouth. Upon termination of <<customer_name>>'s right to occupy Collocation Space, <<customer_name>> shall surrender such Collocation Space to BellSouth in the same condition as when first occupied by <<customer_name>> except for ordinary wear and tear, unless otherwise agreed to by the Parties.

<<customer_name>> shall be responsible for the cost of removing any enclosure, together with all support structures (e.g., racking, conduits), at the termination of occupancy and restoring the grounds to their original condition.

5. Use of Collocation Space

5.1 Equipment Type. BellSouth permits the collocation of any type of equipment necessary for interconnection to BellSouth's network or for access to unbundled network elements in the provision of telecommunications services.

5.1.1 Such equipment must at a minimum meet the following BellCore (Telcordia) Network Equipment Building Systems (NEBS) General Equipment Requirements: Criteria Level 1 requirements as outlined in the BellCore (Telcordia) Special Report SR-3580, Issue 1; equipment design spatial requirements per GR-63-CORE, Section 2; thermal heat dissipation per GR-063-CORE, Section 4, Criteria 77-79; acoustic noise per GR-063-CORE, Section 4, Criterion 128, and National Electric Code standards. Except where otherwise required by a Commission, BellSouth shall comply with the applicable FCC rules relating to denial of collocation based on <<customer_name>>'s failure to comply with this section.

5.1.2 <<customer_name>> shall not request more DS0, DS1 and DS3 terminations for a collocation arrangement than the total port or termination capacity of the transmission equipment physically installed in the arrangement. The total capacity of the transmission equipment collocated in the arrangement will include equipment contained in the application in question as well as equipment already placed in the arrangement. Collocated cross-connect devices are not considered transmission equipment. If full network termination capacity of the transmission equipment being installed is not requested in the application, additional network terminations for the installed equipment will require the submission of another application. In the event that <<customer_name>> submits an application for terminations that exceed the total

- capacity of the collocated equipment, <<customer_name>> will be informed of the discrepancy and will be required to submit a revision to the application.
- 5.1.3 <<customer_name>> shall not use the Collocation Space for marketing purposes nor shall it place any identifying signs or markings in the area surrounding the Collocation Space or on the grounds of the Premises.
- 5.1.4 <<customer_name>> shall place a plaque or other identification affixed to <<customer_name>>'s equipment necessary to identify <<customer_name>>'s equipment, including a list of emergency contacts with telephone numbers.
- 5.2 Entrance Facilities. <<customer_name>> may elect to place <<customer_name>>-owned or <<customer_name>>-leased fiber entrance facilities into the splice location. BellSouth will designate the point of interconnection in close proximity to the Premises building housing the Collocation Space, such as an entrance manhole or a cable vault which are physically accessible by both Parties. <<customer_name>> will provide and place fiber cable at the point of entrance of sufficient length to be pulled through conduit and into the splice location. <<customer_name>> will provide and install a sufficient length of fire retardant riser cable, to which the entrance cable will be spliced, which will extend from the splice location to <<customer_name>>'s equipment in the Collocation Space. <<customer_name>> must contact BellSouth for instructions prior to placing the entrance facility cable in the manhole. <<customer_name>> is responsible for maintenance of the entrance facilities.
- 5.2.1 Dual Entrance. BellSouth will provide at least two interconnection points at each Premises where there are at least two such interconnection points available and where capacity exists. Upon receipt of a request for physical collocation under this Attachment, BellSouth shall provide <<customer_name>> with information regarding BellSouth's capacity to accommodate dual entrance facilities. If conduit in the serving manhole(s) is available and is not reserved for another purpose for utilization within 12 months of the receipt of an application for collocation, BellSouth will make the requested conduit space available for installing a second entrance facility to <<customer_name>>'s arrangement. The location of the serving manhole(s) will be determined at the sole discretion of BellSouth. Where dual entrance is not available due to lack of capacity, BellSouth will so state in the Application Response.
- 5.2.2 Shared Use. <<customer_name>> may utilize spare capacity on an existing interconnector entrance facility for the purpose of providing an entrance facility to <<customer_name>>'s collocation arrangement within the same BellSouth Premises. <<customer_name>> must arrange with BellSouth for BellSouth to splice the utilized entrance facility capacity to <<customer_name>>-provided riser cable.
- 5.3 Demarcation Point. BellSouth will designate the point(s) of demarcation between <<customer_name>>'s equipment and/or network and BellSouth's network. Each Party will be responsible for maintenance and operation of all equipment/facilities on its side of the demarcation point. For connections to BellSouth's network, the demarcation point shall be a <<customer_name>> provided Point of Termination Bay

- (POT Bay) in a common area within the Premises. <<customer_name>> shall be responsible for providing, and a supplier certified by BellSouth (“<<customer_name>>’s Certified Supplier”) shall be responsible for installing and properly labeling, the POT Bay as well as the necessary cabling between <<customer_name>>’s collocation space and the demarcation point. <<customer_name>> or its agent must perform all required maintenance to equipment/facilities on its side of the demarcation point, pursuant to Section 5.4, following, and may self-provision cross-connects that may be required within the Collocation Space to activate service requests.
- 5.4 <<customer_name>>’s Equipment and Facilities. <<customer_name>>, or if required by this Attachment, <<customer_name>>’s Certified Supplier, is solely responsible for the design, engineering, installation, testing, provisioning, performance, monitoring, maintenance and repair of the equipment and facilities used by <<customer_name>> which must be performed in compliance with all applicable BellSouth policies and guidelines. Such equipment and facilities may include but are not limited to cable(s); equipment; and point of termination connections. <<customer_name>> and its selected Certified Supplier must follow and comply with all BellSouth requirements outlined in BellSouth’s TR 73503, TR 73519, TR 73572, and TR 73564.
- 5.5 BellSouth’s Access to Collocation Space. From time to time BellSouth may require access to the Collocation Space. BellSouth retains the right to access such space for the purpose of making BellSouth equipment and building modifications (e.g., running, altering or removing racking, ducts, electrical wiring, HVAC, and cables). BellSouth will give notice to <<customer_name>> at least 48 hours before access to the Collocation Space is required. <<customer_name>> may elect to be present whenever BellSouth performs work in the Collocation Space. The Parties agree that <<customer_name>> will not bear any of the expense associated with this work.
- 5.6 Access. Pursuant to Section 11, subsequent to Firm Order <<customer_name>> shall have access to the Collocation Space twenty-four (24) hours a day, seven (7) days a week. <<customer_name>> agrees to provide the name and social security number or date of birth or driver’s license number of each employee, contractor, or agents of <<customer_name>> or <<customer_name>>’s Guests provided with access keys or devices (“Access Keys”) prior to the issuance of said Access Keys. Key acknowledgement forms must be signed by <<customer_name>> and returned to BellSouth Access Management within 15 calendar days of <<customer_name>>’s receipt. Failure to return properly acknowledged forms will result in the holding of subsequent requests until acknowledgements are current. Access Keys shall not be duplicated under any circumstances. <<customer_name>> agrees to be responsible for all Access Keys and for the return of all said Access Keys in the possession of <<customer_name>> employees, contractors, Guests, or agents after termination of the employment relationship, contractual obligation with <<customer_name>> or upon the termination of this Attachment or the termination of occupancy of an individual collocation arrangement.

- 5.6.1 Lost or Stolen Access Keys. <<customer_name>> shall notify BellSouth in writing within 24 hours of becoming aware in the case of lost or stolen Access Keys. Should it become necessary for BellSouth to re-key buildings or deactivate a card as a result of a lost Access Key(s) or for failure to return an Access Key(s), <<customer_name>> shall pay for all reasonable costs associated with the re-keying or deactivating the card.
- 5.7 Interference or Impairment. Notwithstanding any other provisions of this Attachment, <<customer_name>> shall not use any product or service provided under this Attachment, any other service related thereto or used in combination therewith, or place or use any equipment or facilities in any manner that 1) significantly degrades, interferes with or impairs service provided by BellSouth or by any other entity or any person's use of its telecommunications service; 2) endangers or damages the equipment, facilities or other property of BellSouth or of any other entity or person; 3) compromises the privacy of any communications; or 4) creates an unreasonable risk of injury or death to any individual or to the public. If BellSouth reasonably determines that any equipment or facilities of <<customer_name>> violates the provisions of this paragraph, BellSouth shall give written notice to <<customer_name>>, which notice shall direct <<customer_name>> to cure the violation within forty-eight (48) hours of <<customer_name>>'s actual receipt of written notice or, at a minimum, to commence curative measures within 24 hours and to exercise reasonable diligence to complete such measures as soon as possible thereafter. After receipt of the notice, the Parties agree to consult immediately and, if necessary, to inspect the arrangement.
- 5.7.1 Except in the case of the deployment of an advanced service which significantly degrades the performance of other advanced services or traditional voice band services, if <<customer_name>> fails to take curative action within 48 hours or if the violation is of a character which poses an immediate and substantial threat of damage to property, injury or death to any person, or any other significant degradation, interference or impairment of BellSouth's or another entity's service, then and only in that event BellSouth may take such action as it deems appropriate to correct the violation, including without limitation the interruption of electrical power to <<customer_name>>'s equipment. BellSouth will endeavor, but is not required, to provide notice to <<customer_name>> prior to taking such action and shall have no liability to <<customer_name>> for any damages arising from such action, except to the extent that such action by BellSouth constitutes willful misconduct.
- 5.7.2 For purposes of this Section 5.7, the term significantly degrade shall mean an action that noticeably impairs a service from a user's perspective. In the case of the deployment of an advanced service which significantly degrades the performance of other advanced services or traditional voice band services and <<customer_name>> fails to take curative action within 48 hours then BellSouth will establish before the relevant Commission that the technology deployment is causing the significant degradation. Any claims of network harm presented to <<customer_name>> or, if subsequently necessary, the relevant Commission, must be supported with specific and verifiable information. Where BellSouth demonstrates that a deployed

- technology is significantly degrading the performance of other advanced services or traditional voice band services, <<customer_name>> shall discontinue deployment of that technology and migrate its customers to technologies that will not significantly degrade the performance of other such services. Where the only degraded service itself is a known disturber, and the newly deployed technology satisfies at least one of the criteria for a presumption that is acceptable for deployment under section 47 C.F.R. 51.230, the degraded service shall not prevail against the newly-deployed technology.
- 5.8 Personalty and its Removal. Facilities and equipment placed by <<customer_name>> in the Collocation Space shall not become a part of the Collocation Space, even if nailed, screwed or otherwise fastened to the Collocation Space, but shall retain their status as personal property and may be removed by <<customer_name>> at any time. Any damage caused to the Collocation Space by <<customer_name>>'s employees, agents or representatives during the removal of such property shall be promptly repaired by <<customer_name>> at its expense.
- 5.9 Alterations. In no case shall <<customer_name>> or any person acting on behalf of <<customer_name>> make any rearrangement, modification, improvement, addition, repair, or other alteration which could affect in any way space, power, HVAC, and/or safety considerations to the Collocation Space or the BellSouth Premises without the written consent of BellSouth, which consent shall not be unreasonably withheld. The cost of any such specialized alterations shall be paid by <<customer_name>>. Any material rearrangement, modification, improvement, addition, repair, or other alteration shall require a Subsequent Application and a Planning Fee, pursuant to subsection 6.2.2.
- 5.10 Janitorial Service. <<customer_name>> shall be responsible for the general upkeep of the Collocation Space. <<customer_name>> shall arrange directly with a Certified Contractor for janitorial services applicable to Caged Collocation Space. BellSouth shall provide a list of such contractors on a site-specific basis upon request.
- 6. Ordering and Preparation of Collocation Space**
- 6.1 Application for Space. <<customer_name>> shall submit an application document when <<customer_name>> or <<customer_name>>'s Guest(s), as defined in Section 3.4, desires to request or modify the use of the Collocation Space.
- 6.1.1 Initial Application. For <<customer_name>> or <<customer_name>>'s Guest(s) initial equipment placement, <<customer_name>> shall submit to BellSouth a Physical Expanded Interconnection Application Document ("Application"). The Application is Bona Fide when it is complete and accurate, meaning that all required fields on the application are completed with the appropriate type of information. The Bona Fide Application shall contain a detailed description and schematic drawing of the equipment to be placed in <<customer_name>>'s Collocation Space(s) and an estimate of the amount of square footage required.

- 6.1.2 Subsequent Application. In the event <<customer_name>> or <<customer_name>>'s Guest(s) desires to modify the use of the Collocation Space, <<customer_name>> shall complete an Application detailing all information regarding the modification to the Collocation Space ("Subsequent Application"). BellSouth shall determine what modifications, if any, to the Premises are required to accommodate the change requested by <<customer_name>> in the Application. Such necessary modifications to the Premises may include but are not limited to, floor loading changes, changes necessary to meet HVAC requirements, changes to power plant requirements, equipment additions, etc. Where the Subsequent Application does not require assessment for provisioning or construction work by BellSouth, no Planning Fee will be required. The fee for an Application where the modification requires assessment on behalf of BellSouth shall be the Planning Fee as set forth in the Price Schedule. The Subsequent Application is Bona Fide when it is complete and accurate, meaning that all required fields on the Application are completed with the appropriate type of information.
- 6.2 Application Response. When space has been determined to be available, BellSouth will provide a written response ("Application Response"), which will include, at a minimum, the configuration of the space, Entrance Fiber Fee, and the space preparation fees, as described in Section 7.
- 6.3 Application Modifications. If a modification or revision is made to any information in the Bona Fide Application for Physical Collocation, with the exception of modifications to Customer Information, Contact Information or Billing Contact Information, either at the request of <<customer_name>> or necessitated by technical considerations, said Application shall be considered a new Application and shall be handled as a new Application for purposes of the provisioning interval and BellSouth shall charge <<customer_name>> a Planning Fee.
- 6.4 Bona Fide Firm Order. <<customer_name>> shall indicate its intent to proceed with equipment installation in a BellSouth Premises by submitting a Physical Expanded Interconnection Firm Order document ("Firm Order") to BellSouth. A Firm Order shall be considered Bona Fide when <<customer_name>> has completed the Application/Inquiry process described in Section 6.2, preceding, and has submitted the Firm Order document indicating acceptance of the Application Response provided by BellSouth. The Bona Fide Firm Order must be received by BellSouth no later than five (5) business days after BellSouth's Application Response to <<customer_name>>'s Bona Fide Application.
- 6.5 Construction and Provisioning Interval. BellSouth will complete construction for collocation arrangements within seventy-six (76) business days from receipt of an Application or as agreed to by the Parties. Under extraordinary conditions, BellSouth will complete construction for collocation arrangements within ninety-one (91) business days. Examples of extraordinary conditions include, but are not limited to, extended license or permitting intervals; major BellSouth equipment rearrangement or addition; power plant addition or upgrade; major mechanical addition or upgrade; major upgrade for ADA compliance; environmental hazard or hazardous materials

abatement; and arrangements for which equipment shipping intervals are extraordinary in length. In the event <<customer_name>> submits a forecast as described in the following section three (3) months or more prior to the application date, the above intervals shall apply. In the event <<customer_name>> submits such a forecast between two (2) months and three (3) months prior to the application date, the above intervals may be extended by one (1) additional month. In the event <<customer_name>> submits such a forecast less than two (2) months prior to the application date, the above intervals may be extended by sixty (60) calendar days. BellSouth will attempt to meet standard intervals for unforecasted requests and any interval adjustments will be discussed with <<customer_name>> at the time the application is received. Additional installations to existing collocation arrangements for line sharing or line splitting, which include adding cable, adding cable and splitter, and adding a splitter, will be 45 business days from receipt of an Application. Raw space, which is space lacking the necessary infrastructure to provide collocation space including but not limited to HVAC, Power, etc.), conversion time frames fall outside the normal intervals and are negotiated on an individual case basis.

- 6.5.1 To be considered a timely and accurate forecast, <<customer_name>> must submit to BellSouth the CLEC Forecast Form containing the following information: Central Office/Service Wire Center CLLI, number of Caged square feet, number of DS0, DS1, DS3 frame terminations, number of fused amps and planned application date.
- 6.6 Joint Planning. Joint planning between BellSouth and <<customer_name>> will commence within a maximum of twenty (20) calendar days from BellSouth's receipt of a Bona Fide Firm Order. BellSouth will provide the preliminary design of the Collocation Space and the equipment configuration requirements as reflected in the Bona Fide Application and affirmed in the Bona Fide Firm Order. The Collocation Space completion time period will be provided to <<customer_name>> during joint planning.
- 6.7 Permits. Each Party or its agents will diligently pursue filing for the permits required for the scope of work to be performed by that Party or its agents within ten (10) calendar days of the completion of finalized construction designs and specifications.
- 6.8 Acceptance Walk Through. <<customer_name>> will contact BellSouth within seven (7) days of collocation space being ready to schedule an acceptance walk through of each Collocation Space requested from BellSouth by <<customer_name>>. BellSouth will correct any deviations to <<customer_name>>'s original or jointly amended requirements within seven (7) calendar days after the walk through, unless the Parties jointly agree upon a different time frame.
- 6.9 Use of Certified Supplier. <<customer_name>> shall select a supplier which has been approved as a Certified Supplier to perform all engineering and installation work. <<customer_name>> and <<customer_name>>'s Certified Supplier must follow and comply with all of BellSouth's requirements outlined in BellSouth's TR 73503, TR 73519, TR 73572, and TR 73564. In some cases, <<customer_name>>

- must select separate Certified Suppliers for transmission equipment, switching equipment and power equipment. BellSouth shall provide <<customer_name>> with a list of Certified Suppliers upon request. The Certified Supplier(s) shall be responsible for installing <<customer_name>>'s equipment and components, performing operational tests after installation is complete, and notifying BellSouth's equipment engineers and <<customer_name>> upon successful completion of installation, etc. The Certified Supplier shall bill <<customer_name>> directly for all work performed for <<customer_name>> pursuant to this Attachment and BellSouth shall have no liability for nor responsibility to pay such charges imposed by the Certified Supplier. BellSouth shall consider certifying <<customer_name>> or any supplier proposed by <<customer_name>>. All work performed by or for <<customer_name>> shall conform to generally accepted industry guidelines and standards.
- 6.10 Alarm and Monitoring. BellSouth shall place environmental alarms in the Premises for the protection of BellSouth's equipment and facilities. <<customer_name>> shall be responsible for placement, monitoring and removal of environmental and equipment alarms used to service <<customer_name>>'s Collocation Space. Upon request, BellSouth will provide <<customer_name>> with applicable tariffed service(s) to facilitate remote monitoring of collocated equipment by <<customer_name>>. Both Parties shall use best efforts to notify the other of any verified environmental hazard known to that Party.
- 6.11 Virtual to Physical Collocation Relocation. In the event physical Collocation Space was previously denied at a location due to technical reasons or space limitations, and that physical Collocation Space has subsequently become available, <<customer_name>> may relocate its virtual collocation arrangements to caged physical collocation arrangements and pay the appropriate fees for physical collocation and for the rearrangement or reconfiguration of services terminated in the virtual collocation arrangement, as outlined in the appropriate BellSouth Attachments. In the event that BellSouth knows when additional space for physical collocation may become available at the location requested by <<customer_name>>, such information will be provided to <<customer_name>> in BellSouth's written denial of physical collocation. To the extent that (i) physical Collocation Space becomes available to <<customer_name>> within 180 calendar days of BellSouth's written denial of <<customer_name>>'s request for physical collocation, (ii) BellSouth had knowledge that the space was going to become available, and (iii) <<customer_name>> was not informed in the written denial that physical Collocation Space would become available within such 180 calendar days, then <<customer_name>> may transition its virtual collocation arrangement to a caged physical collocation arrangement and will receive a credit for any nonrecurring charges previously paid for such virtual collocation. <<customer_name>> must arrange with a Certified Supplier for the relocation of equipment from its virtual Collocation Space to its physical Collocation Space and will bear the cost of such relocation.

- 6.12 Cancellation. If, at anytime prior to space acceptance, <<customer_name>> cancels its order for the Collocation Space(s), BellSouth will bill the applicable non recurring rate for any and all work processes for which work has begun.
- 6.13 Licenses. <<customer_name>>, at its own expense, will be solely responsible for obtaining from governmental authorities, and any other appropriate agency, entity, or person, all rights, privileges, and licenses necessary or required to operate as a provider of telecommunications services to the public or to occupy the Collocation Space.
- 6.14 Environmental Compliance. The Parties agree to utilize and adhere to the Environmental Hazard Guidelines identified as Exhibit A attached hereto.

7. Rates and Charges

- 7.1 BellSouth shall assess a Planning Fee via a service order which shall be issued at the time BellSouth responds that space is available pursuant to section 2.1. Payment of said Planning Fee will be due as dictated by <<customer_name>>'s current billing cycle and is non-refundable.
- 7.2 Cross Connect Rates – Cross connect rates shall be as set forth in Exhibit D, attached hereto, and shall be dependent on the configuration of the collocation arrangement and the location of the associated demarcation point. If the demarcation point was established at a BellSouth provided POT bay, the POT Bay cross connect rates in addition to the <<customer_name>> -provided POT Bay Rates as set forth in Exhibit D shall apply. If the demarcation point was established at a common block on a BellSouth conventional distribution frame, intermediary frame or other termination frame, then the Frame cross connect rates as set forth in Exhibit D shall apply for all terminations demarcating at the respective frame locations. For all arrangements for which the demarcation point was established at a <<customer_name>>-provided POT bay, the POT bay –<<customer_name>> rates for cross connects set forth in Exhibit D shall apply for all terminations demarcating at the <<customer_name>>-provided POT Bay.
- 7.8 Power. BellSouth shall make available –48 Volt (-48V) DC power for <<customer_name>>'s Collocation Space.
- 7.8.1 Recurring charges for -48V DC power consumption will be assessed per ampere per month based upon the engineered and installed power feed fused ampere capacity. Rates include redundant feeder fuse positions (A&B) and common cable rack to <<customer_name>>'s equipment or space enclosure. <<customer_name>> shall contract with a Certified Supplier who will be responsible for the following: dedicated power cable support structure within <<customer_name>>'s arrangement and terminations of cable within the collocation space.

7.8.2 Non recurring charges for –48V DC power distribution will be based on the common power feeder cable support structure between the BellSouth BDFB and <<customer_name>>'s arrangement area.

7.9 Other. If no rate is identified in this Attachment, the rate for the specific service or function will be negotiated by the Parties upon request by either Party.

8. Insurance

8.1 <<customer_name>> shall, at its sole cost and expense, procure, maintain, and keep in force insurance as specified in this Section 8 and underwritten by insurance companies licensed to do business in the states applicable under this Attachment and having a Best's Insurance Rating of A-.

8.2 <<customer_name>> shall maintain the following specific coverage:

8.2.1 Commercial General Liability coverage in the amount of ten million dollars (\$10,000,000.00) or a combination of Commercial General Liability and Excess/Umbrella coverage totaling not less than ten million dollars (\$10,000,000.00). BellSouth shall be named as an Additional Insured on the Commercial General Liability policy as specified herein.

8.2.2 Statutory Workers Compensation coverage and Employers Liability coverage in the amount of one hundred thousand dollars (\$100,000.00) each accident, one hundred thousand dollars (\$100,000.00) each employee by disease, and five hundred thousand dollars (\$500,000.00) policy limit by disease.

8.2.3 All Risk Property coverage on a full replacement cost basis insuring all of <<customer_name>>'s real and personal property situated on or within BellSouth's Central Office location(s).

8.2.4 <<customer_name>> may elect to purchase business interruption and contingent business interruption insurance, having been advised that BellSouth assumes no liability for loss of profit or revenues should an interruption of service occur.

8.3 The limits set forth in Section 8.2 above may be increased by BellSouth from time to time during the term of this Attachment upon thirty (30) days notice to <<customer_name>> to at least such minimum limits as shall then be customary with respect to comparable occupancy of BellSouth structures.

8.4 All policies purchased by <<customer_name>> shall be deemed to be primary and not contributing to or in excess of any similar coverage purchased by BellSouth. All insurance must be in effect on or before the date equipment is delivered to BellSouth's Premises and shall remain in effect for the term of this Attachment or until all <<customer_name>>'s property has been removed from BellSouth's Premises, whichever period is longer. If <<customer_name>> fails to maintain required

- coverage, BellSouth may pay the premiums thereon and seek reimbursement of same from <<customer_name>>.
- 8.5 <<customer_name>> shall submit certificates of insurance reflecting the coverage required pursuant to this Section a minimum of ten (10) business days prior to the commencement of any work in the Collocation Space. Failure to meet this interval may result in construction and equipment installation delays. <<customer_name>> shall arrange for BellSouth to receive thirty (30) business days' advance notice of cancellation from <<customer_name>>'s insurance company. <<customer_name>> shall forward a certificate of insurance and notice of cancellation/non-renewal to BellSouth at the following address:
- BellSouth Telecommunications, Inc.
Attn.: Risk Management Coordinator
17H53 BellSouth Center
675 W. Peachtree Street
Atlanta, Georgia 30375
- 8.6 <<customer_name>> must conform to recommendations made by BellSouth's fire insurance company to the extent BellSouth has agreed to, or shall hereafter agree to, such recommendations.
- 8.7 Self-Insurance. If <<customer_name>>'s net worth exceeds five hundred million dollars (\$500,000,000), <<customer_name>> may elect to request self-insurance status in lieu of obtaining any of the insurance required in Sections 8.2.1 and 8.2.2. <<customer_name>> shall provide audited financial statements to BellSouth thirty (30) days prior to the commencement of any work in the Collocation Space. BellSouth shall then review such audited financial statements and respond in writing to <<customer_name>> in the event that self-insurance status is not granted to <<customer_name>>. If BellSouth approves <<customer_name>> for self-insurance, <<customer_name>> shall annually furnish to BellSouth, and keep current, evidence of such net worth that is attested to by one of <<customer_name>>'s corporate officers. The ability to self-insure shall continue so long as the <<customer_name>> meets all of the requirements of this Section. If the <<customer_name>> subsequently no longer satisfies this Section, <<customer_name>> is required to purchase insurance as indicated by Sections 8.2.1 and 8.2.2.
- 8.8 The net worth requirements set forth in Section 8.7 may be increased by BellSouth from time to time during the term of this Attachment upon thirty (30) days' notice to <<customer_name>> to at least such minimum limits as shall then be customary with respect to comparable occupancy of BellSouth structures.
- 8.9 Failure to comply with the provisions of this Section will be deemed a material breach of this Attachment.

9. Mechanics Liens

- 9.1 If any mechanics lien or other liens shall be filed against property of either Party (BellSouth or <<customer_name>>), or any improvement thereon by reason of or arising out of any labor or materials furnished or alleged to have been furnished or to be furnished to or for the other Party or by reason of any changes, or additions to said property made at the request or under the direction of the other Party, the other Party directing or requesting those changes shall, within thirty (30) business days after receipt of written notice from the Party against whose property said lien has been filed, either pay such lien or cause the same to be bonded off the affected property in the manner provided by law. The Party causing said lien to be placed against the property of the other shall also defend, at its sole cost and expense, on behalf of the other, any action, suit or proceeding which may be brought for the enforcement of such liens and shall pay any damage and discharge any judgment entered thereon.

10. Inspections

- 10.1 BellSouth may conduct an inspection of <<customer_name>>'s equipment and facilities in the Collocation Space(s) prior to the activation of facilities between <<customer_name>>'s equipment and equipment of BellSouth. BellSouth may conduct an inspection if <<customer_name>> adds equipment and may otherwise conduct routine inspections at reasonable intervals mutually agreed upon by the Parties. BellSouth shall provide <<customer_name>> with a minimum of forty-eight (48) hours or two (2) business days, whichever is greater, advance notice of all such inspections. All costs of such inspection shall be borne by BellSouth.

11. Security and Safety Requirements

- 11.1 The security and safety requirements set forth in this section are as stringent as the security requirements BellSouth maintains at its own premises either for their own employees or for authorized contractors <<customer_name>> shall provide its employees and agents with picture identification which must be worn and visible at all times while in the Collocation Space or other areas in or around the Premises. The photo Identification card shall bear, at a minimum, the employee's name and photo, and the <<customer_name>> name. BellSouth reserves the right to remove from its premises any employee of <<customer_name>> not possessing identification issued by <<customer_name>> or who have violated any of BellSouth's policies as outlined in the CLEC Security Training documents. <<customer_name>> shall hold BellSouth harmless for any damages resulting from such removal of its personnel from BellSouth premises. <<customer_name>> shall be solely responsible for ensuring that any Guest of <<customer_name>> is in compliance with all subsections of this Section 11.
- 11.1.1 <<customer_name>> will be required, at its own expense, to conduct a statewide investigation of criminal history records for each <<customer_name>> employee being considered for work on the BellSouth Premises, for the states/counties where

- the <<customer_name>> employee has worked and lived for the past five years. Where state law does not permit statewide collection or reporting, an investigation of the applicable counties is acceptable. <<customer_name>> shall not be required to perform this investigation if an affiliated company of <<customer_name>> has performed an investigation of the <<customer_name>> employee seeking access, if such investigation meets the criteria set forth above. This requirement will not apply if <<customer_name>> has performed a pre-employment statewide investigation of criminal history records, or where state law does not permit an investigation of the applicable counties for the <<customer_name>> employee seeking access, for the states/counties where the <<customer_name>> employee has worked and lived for the past five years.
- 11.1.2 <<customer_name>> will be required to administer to their personnel assigned to the BellSouth Premises security training either provided by BellSouth, or meeting criteria defined by BellSouth.
- 11.1.3 <<customer_name>> shall not assign to BellSouth Premises any personnel with records of felony criminal convictions. <<customer_name>> shall not assign to the BellSouth Premises any personnel with records of misdemeanor convictions, except for misdemeanor traffic violations, without advising BellSouth of the nature and gravity of the offense(s). BellSouth reserves the right to refuse building access to any <<customer_name>> personnel who have been identified to have misdemeanor criminal convictions. Notwithstanding the foregoing, in the event that <<customer_name>> chooses not to advise BellSouth of the nature and gravity of any misdemeanor conviction, <<customer_name>> may, in the alternative, certify to BellSouth that it shall not assign to BellSouth Premises any personnel with records of misdemeanor convictions (other than misdemeanor traffic violations).
- 11.1.4 <<customer_name>> shall not knowingly assign to BellSouth Premises any individual who was a former employee of BellSouth and whose employment with BellSouth was terminated for a criminal offense whether or not BellSouth sought prosecution of the individual for the criminal offense.
- 11.1.5 <<customer_name>> shall not knowingly assign to the BellSouth Premises any individual who was a former contractor of BellSouth and whose access to BellSouth Premises was revoked due to commission of a criminal offense whether or not BellSouth sought prosecution of the individual for the criminal offense.
- 11.1.6 For each <<customer_name>> employee requiring access to BellSouth Premises pursuant to this Attachment, <<customer_name>> shall furnish BellSouth, prior to an employee gaining such access, a certification that the aforementioned background check and security training were completed. The certification will contain a statement that no felony convictions were found and certifying that the security training was completed by the employee. If the employee's criminal history includes misdemeanor convictions, <<customer_name>> will disclose the nature of the convictions to BellSouth at that time. In the alternative, <<customer_name>> may certify to

- BellSouth that it shall not assign to BellSouth Premises any personnel with records of misdemeanor convictions other than misdemeanor traffic violations.
- 11.1.7 At BellSouth's request, <<customer_name>> shall promptly remove from BellSouth's Premises any employee of <<customer_name>> BellSouth does not wish to grant access to its premises 1) pursuant to any investigation conducted by BellSouth or 2) prior to the initiation of an investigation in the event that an employee of <<customer_name>> is found interfering with the property or personnel of BellSouth or another CLEC, provided that an investigation shall promptly be commenced by BellSouth.
- 11.2 Notification to BellSouth. BellSouth reserves the right to interview <<customer_name>>'s employees, agents, or contractors in the event of wrongdoing in or around BellSouth's property or involving BellSouth's or another CLEC's property or personnel, provided that BellSouth shall provide reasonable notice to <<customer_name>>'s Security contact of such interview. <<customer_name>> and its contractors shall reasonably cooperate with BellSouth's investigation into allegations of wrongdoing or criminal conduct committed by, witnessed by, or involving <<customer_name>>'s employees, agents, or contractors. Additionally, BellSouth reserves the right to bill <<customer_name>> for all reasonable costs associated with investigations involving its employees, agents, or contractors if it is established and mutually agreed in good faith that <<customer_name>>'s employees, agents, or contractors are responsible for the alleged act. BellSouth shall bill <<customer_name>> for BellSouth property which is stolen or damaged where an investigation determines the culpability of <<customer_name>>'s employees, agents, or contractors and where <<customer_name>> agrees, in good faith, with the results of such investigation. <<customer_name>> shall notify BellSouth in writing immediately in the event that <<customer_name>> discovers one of its employees already working on the BellSouth premises is a possible security risk. Upon request of the other Party, the Party who is the employer shall discipline consistent with its employment practices, up to and including removal from BellSouth Premises, any employee found to have violated the security and safety requirements of this section. <<customer_name>> shall hold BellSouth harmless for any damages resulting from such removal of its personnel from BellSouth premises.
- 11.3 Use of Supplies. Unauthorized use of telecommunications equipment or supplies by either Party, whether or not used routinely to provide telephone service (e.g. plug-in cards,) will be strictly prohibited and handled appropriately. Costs associated with such unauthorized use may be charged to the offending Party, as may be all associated investigative costs.
- 11.4 Use of Official Lines. Except for non-toll calls necessary in the performance of their work, neither Party shall use the telephones of the other Party on the BellSouth Premises. Charges for unauthorized telephone calls may be charged to the offending Party, as may be all associated investigative costs.

- 11.5 Accountability. Full compliance with the Security requirements of this section shall in no way limit the accountability of either Party to the other for the improper actions of its employees.

12. Destruction of Collocation Space

- 12.1 In the event a Collocation Space is wholly or partially damaged by fire, windstorm, tornado, flood or by similar causes to such an extent as to be rendered wholly unsuitable for <<customer_name>>'s permitted use hereunder, then either Party may elect within ten (10) business days after such damage, to terminate occupancy of the damaged Collocation Space, and if either Party shall so elect, by giving the other written notice of termination, both Parties shall stand released of and from further liability under the terms hereof. If the Collocation Space shall suffer only minor damage and shall not be rendered wholly unsuitable for <<customer_name>>'s permitted use, or is damaged and the option to terminate is not exercised by either Party, BellSouth covenants and agrees to proceed promptly without expense to <<customer_name>>, except for improvements not the property of BellSouth, to repair the damage. BellSouth shall have a reasonable time within which to rebuild or make any repairs, and such rebuilding and repairing shall be subject to delays caused by storms, shortages of labor and materials, government regulations, strikes, walkouts, and causes beyond the control of BellSouth, which causes shall not be construed as limiting factors, but as exemplary only. <<customer_name>> may, at its own expense, accelerate the rebuild of its collocated space and equipment provided however that a Certified Contractor is used and the necessary space preparation has been completed. Rebuild of equipment must be performed by a Certified Vendor. If <<customer_name>>'s acceleration of the project increases the cost of the project, then those additional charges will be incurred by <<customer_name>>. Where allowed and where practical, <<customer_name>> may erect a temporary facility while BellSouth rebuilds or makes repairs. In all cases where the Collocation Space shall be rebuilt or repaired, <<customer_name>> shall be entitled to an equitable abatement of rent and other charges, depending upon the unsuitability of the Collocation Space for <<customer_name>>'s permitted use, until such Collocation Space is fully repaired and restored and <<customer_name>>'s equipment installed therein (but in no event later than thirty (30) business days after the Collocation Space is fully repaired and restored).

13. Eminent Domain

- 13.1 If the whole of a Collocation Space shall be taken by any public authority under the power of eminent domain, then this Attachment shall terminate with respect to such Collocation Space as of the day possession shall be taken by such public authority and rent and other charges for the Collocation Space shall be paid up to that day with proportionate refund by BellSouth of such rent and charges as may have been paid in advance for a period subsequent to the date of the taking. If any part of the Collocation Space shall be taken under eminent domain, BellSouth and

<<customer_name>> shall each have the right to terminate this Attachment with respect to such Collocation Space and declare the same null and void, by written notice of such intention to the other Party within ten (10) business days after such taking.

14. Nonexclusivity

14.1 <<customer_name>> understands that this Attachment is not exclusive and that BellSouth may enter into similar agreements with other Parties. Assignment of space pursuant to all such agreements shall be determined by space availability and made on a first come, first served basis.

ENVIRONMENTAL AND SAFETY PRINCIPLES

The following principles provide basic guidance on environmental and safety issues when applying for and establishing Physical Collocation arrangements.

1. GENERAL PRINCIPLES

- 1.1 Compliance with Applicable Law. BellSouth and <<customer_name>> agree to comply with applicable federal, state, and local environmental and safety laws and regulations including U.S. Environmental Protection Agency (USEPA) regulations issued under the Clean Air Act (CAA), Clean Water Act (CWA), Resource Conservation and Recovery Act (RCRA), Comprehensive Environmental Response, Compensation and Liability Act (CERCLA), Superfund Amendments and Reauthorization Act (SARA), the Toxic Substances Control Act (TSCA), and OSHA regulations issued under the Occupational Safety and Health Act of 1970, as amended and NFPA and National Electrical Codes (NEC) and the NESC (“Applicable Laws”). Each Party shall notify the other if compliance inspections are conducted by regulatory agencies and/or citations are issued that relate to any aspect of this Attachment.
- 1.2 Notice. BellSouth and <<customer_name>> shall provide notice to the other, including Material Safety Data Sheets (MSDSs), of known and recognized physical hazards or Hazardous Chemicals existing on site or brought on site. Each Party is required to provide specific notice for known potential Imminent Danger conditions. <<customer_name>> should contact 1-800-743-6737 for BellSouth MSDS sheets.
- 1.3 Practices/Procedures. BellSouth may make available additional environmental control procedures for <<customer_name>> to follow when working at a BellSouth Premises (See Section 2, below). These practices/procedures will represent the regular work practices required to be followed by the employees and contractors of BellSouth for environmental protection. <<customer_name>> will require its contractors, agents and others accessing the BellSouth Premises to comply with these practices. Section 2 lists the Environmental categories where BST practices should be followed by <<customer_name>> when operating in BellSouth Premises.
- 1.4 Environmental and Safety Inspections. BellSouth reserves the right to inspect the <<customer_name>> space with proper notification. BellSouth reserves the right to stop any <<customer_name>> work operation that imposes Imminent Danger to the environment, employees or other persons in the area or Facility.
- 1.5 Hazardous Materials Brought On Site. Any hazardous materials brought into, used, stored or abandoned at BellSouth Premises by <<customer_name>> are owned by <<customer_name>>. <<customer_name>> will indemnify BellSouth for claims,

- lawsuits or damages to persons or property caused by these materials. Without prior written BellSouth approval, no substantial new safety or environmental hazards can be created by <<customer_name>> or different hazardous materials used by <<customer_name>> at BellSouth Facility. <<customer_name>> must demonstrate adequate emergency response capabilities for its materials used or remaining at the BellSouth Facility.
- 1.6 Spills and Releases. When contamination is discovered at BellSouth Premises, the Party discovering the condition must notify BellSouth. All Spills or Releases of regulated materials will immediately be reported by <<customer_name>> to BellSouth.
- 1.7 Coordinated Environmental Plans and Permits. BellSouth and <<customer_name>> will coordinate plans, permits or information required to be submitted to government agencies, such as emergency response plans, spill prevention control and countermeasures (SPCC) plans and community reporting. If fees are associated with filing, BellSouth and <<customer_name>> will develop a cost sharing procedure. If BellSouth's permit or EPA identification number must be used, <<customer_name>> must comply with all of BellSouth's permit conditions and environmental processes, including environmental "best management practices (BMP)" (see Section 2, below) and/or selection of BST disposition vendors and disposal sites.
- 1.8 Environmental and Safety Indemnification. BellSouth and <<customer_name>> shall indemnify, defend and hold harmless the other Party from and against any claims (including, without limitation, third-party claims for personal injury or death or real or personal property damage), judgments, damages, (including direct and indirect damages, and punitive damages), penalties, fines, forfeitures, costs, liabilities, interest and losses arising in connection with the violation or alleged violation of any Applicable Law or contractual obligation or the presence or alleged presence of contamination arising out of the acts or omissions of the indemnifying Party, its agents, contractors, or employees concerning its operations at the Facility.

2. CATEGORIES FOR CONSIDERATION OF ENVIRONMENTAL ISSUES

When performing functions that fall under the following Environmental categories on BellSouth's Premises, <<customer_name>> agrees to comply with the applicable sections of the current issue of BellSouth's Environmental and Safety Methods and Procedures (M&Ps), incorporated herein by this reference. <<customer_name>> further agrees to cooperate with BellSouth to ensure that <<customer_name>>'s employees, agents, and/or subcontractors are knowledgeable of and satisfy those provisions of BellSouth's Environmental M&Ps which apply to the specific Environmental function being performed by <<customer_name>>, its employees, agents and/or subcontractors.

The most current version of reference documentation must be requested from BellSouth.

ENVIRONMENTAL CATEGORIES	ENVIRONMENTAL ISSUES	ADDRESSED BY THE FOLLOWING DOCUMENTATION
Disposal of hazardous material or other regulated material (e.g., batteries, fluorescent tubes, solvents & cleaning materials)	Compliance with all applicable local, state, & federal laws and regulations Pollution liability insurance EVET approval of contractor	<ul style="list-style-type: none"> • Std T&C 450 • Fact Sheet Series 17000 • Std T&C 660-3 • Approved Environmental Vendor List (Contact E/S Management)
Emergency response	Hazmat/waste release/spill firesafety emergency	<ul style="list-style-type: none"> • Fact Sheet Series 1700 • Building Emergency Operations Plan (EOP) (specific to and located on Premises)
Contract labor/outsourcing for services with environmental implications to be performed on BellSouth Premises (e.g., disposition of hazardous material/waste; maintenance of storage tanks)	Compliance with all applicable local, state, & federal laws and regulations Performance of services in accordance with BST's environmental M&Ps Insurance	<ul style="list-style-type: none"> • Std T&C 450 • Std T&C 450-B • (Contact E/S for copy of appropriate E/S M&Ps.) • Std T&C 660
Transportation of hazardous material	Compliance with all applicable local, state, & federal laws and regulations Pollution liability insurance EVET approval of contractor	<ul style="list-style-type: none"> • Std T&C 450 • Fact Sheet Series 17000 • Std T&C 660-3 • Approved Environmental Vendor List (Contact E/S Management)
Maintenance/operations work which may produce a waste Other maintenance work	Compliance with all application local, state, & federal laws and regulations Protection of BST employees and equipment	<ul style="list-style-type: none"> • Std T&C 450 • 29CFR 1910.147 (OSHA Standard) • 29CFR 1910 Subpart O

		(OSHA Standard)
Janitorial services	All waste removal and disposal must conform to all applicable federal, state and local regulations All Hazardous Material and Waste Asbestos notification and protection of employees and equipment	<ul style="list-style-type: none"> • P&SM Manager - Procurement • Fact Sheet Series 17000 • GU-BTEN-001BT, Chapter 3 • BSP 010-170-001BS (Hazcom)
Manhole cleaning	Compliance with all applicable local, state, & federal laws and regulations Pollution liability insurance EVET approval of contractor	<ul style="list-style-type: none"> • Std T&C 450 • Fact Sheet 14050 • BSP 620-145-011PR Issue A, August 1996 • Std T&C 660-3 • Approved Environmental Vendor List (Contact E/S Management)
Removing or disturbing building materials that may contain asbestos	Asbestos work practices	<ul style="list-style-type: none"> • GU-BTEN-001BT, Chapter 3

3. DEFINITIONS

Generator. Under RCRA, the person whose act produces a Hazardous Waste, as defined in 40 CFR 261, or whose act first causes a Hazardous Waste to become subject to regulation. The Generator is legally responsible for the proper management and disposal of Hazardous Wastes in accordance with regulations.

Hazardous Chemical. As defined in the U.S. Occupational Safety and Health (OSHA) hazard communication standard (29 CFR 1910.1200), any chemical which is a health hazard or physical hazard.

Hazardous Waste. As defined in section 1004 of RCRA.

Imminent Danger. Any conditions or practices at a facility which are such that a danger exists which could reasonably be expected to cause immediate death or serious harm to people or immediate significant damage to the environment or natural resources.

Spill or Release. As defined in Section 101 of CERCLA.

4. ACRONYMS

E/S – Environmental/Safety

EVET - Environmental Vendor Evaluation Team

DEC/LDEC - Department Environmental Coordinator/Local Department Environmental Coordinator

GU-BTEN-001BT - BellSouth Environmental Methods and Procedures

NESC - National Electrical Safety Codes

P&SM - Property & Services Management

Std. T&C - Standard Terms & Conditions

BELLSOUTH / METROMEDIA FIBER NETWORK SERVICES RATES

Collocation
Alabama

CATEGORY	NOTE	RATE ELEMENT	Interim Indicator	Zone	BCS	USOC	RATES				OSS RATES									
							Rec	Nonrecurring		Nonrecurring Disconnect		Svc Order Submitted Elec per LSR	Svc Order Submitted Manually per LSR	Incremental Charge - Manual Svc Order vs. Electronic-1st	Incremental Charge - Manual Svc Order vs. Electronic-Add'l	Incremental Charge - Manual Svc Order vs. Electronic-Disc 1st	Incremental Charge - Manual Svc Order vs. Electronic-Disc Add'l			
								First	Add'l	First	Add'l									
PHYSICAL COLLOCATION																				
		Physical Collocation - Application Fee - Initial			CLO	PE1BA														
		Physical Collocation - Application Fee - Subsequent			CLO	PE1CA														
		Physical Collocation - Space Preparation - Firm Order Processing			CLO	PE1SJ														
		Physical Collocation - Space Preparation - C.O. Modification per square ft.	I		CLO	PE1SK	\$2.24													
		Physical Collocation - Space Preparation - Common Systems Modification per square ft. - Cageless	I		CLO	PE1SL	\$3.01													
		Physical Collocation - Space Preparation - Common Systems Modification per Cage	I		CLO	PE1SM	\$102.16													
		Physical Collocation - Cable Installation			CLO	PE1BD		\$1,751.00		\$1,751.00										
		Physical Collocation - Floor Space per Sq. Ft.			CLO	PE1PJ	\$3.68													
		Physical Collocation - Cable Support Structure			CLO	PE1PM	\$19.67													
		Physical Collocation - Power per Fused Amp	I		CLO	PE1PL	\$9.00													
		Physical Collocation - 120V, Single Phase Standby Power Rate	I		CLO	PE1FB	\$5.63													
		Physical Collocation - 240V, Single Phase Standby Power Rate	I		CLO	PE1FD	\$11.26													
		Physical Collocation - 120V, Three Phase Standby Power Rate	I		CLO	PE1FE	\$16.89													
		Physical Collocation - 277V, Three Phase Standby Power Rate	I		CLO	PE1FG	\$38.99													
		Physical Collocation - 2-Wire Cross-Connects			UEANL,UEA,UDN,UDC,UAL,UHL,UCL,UEQ	PE1P2	\$0.031	\$33.68		\$31.79										
		Physical Collocation - 4-Wire Cross-Connects			CLO	PE1P4	\$0.062	\$33.63		\$31.67										
		Physical Collocation - DS1 Cross-Connects			CLO	PE1P1	\$1.28	\$52.93		\$39.87										
		Physical Collocation - DS3 Cross-Connects			CLO	PE1P3	\$16.27	\$51.99		\$38.59										
		Physical Collocation - 2-Fiber Cross-Connect			CLO	PE1F2	\$3.23	\$52.00		\$38.60										
		Physical Collocation - 4-Fiber Cross-Connect			CLO	PE1F4	\$5.73	\$64.54		\$51.14										
		Physical Collocation - Welded Wire Cage - First 100 Sq. Ft.			CLO	PE1BW	\$178.65													
		Physical Collocation - Welded Wire Cage - Add'l 50 Sq. Ft.			CLO	PE1CW	\$17.52													
		Physical Collocation - Security Access System - Security System per Central Office			CLO	PE1AX	\$54.14													
		Physical Collocation - Security Access System - New Access Card Activation, per Card			CLO	PE1A1	\$0.0607	\$46.20		\$46.20	\$8.72	\$8.72								
		Physical Collocation-Security Access System-Administrative Change, existing Access Card, per Card			CLO	PE1AA		\$15.40		\$15.40										
		Physical Collocation - Security Access System - Replace Lost or Stolen Card, per Card			CLO	PE1AR		\$45.02		\$45.02										
		Physical Collocation - Security Access - Initial Key, per Key			CLO	PE1AK		\$26.19		\$26.19										
		Physical Collocation - Security Access - Key, Replace Lost or Stolen Key, per Key			CLO	PE1AL		\$26.19		\$26.19										
		Physical Collocation - Space Availability Report per premises	I		CLO	PE1SR		\$2,150.00		\$2,150.00										
		POT Bay Arrangements prior to 6/1/99 - 2-Wire Cross-Connect, per cross-connect			UEANL,CLO	PE1PE	\$0.08													
		POT Bay Arrangements prior to 6/1/99 - 4-Wire Cross-Connect, per cross-connect			CLO	PE1PF	\$0.17													
		POT Bay Arrangements prior to 6/1/99 - DS1 Cross-Connect, per cross-connect			CLO	PE1PG	\$0.69													
		POT Bay Arrangements prior to 6/1/99 - DS3 Cross-Connect, per cross-connect			CLO	PE1PH	\$4.74													
		POT Bay Arrangements prior to 6/1/99 - 2-Fiber Cross-Connect, per cross-connect			CLO	PE1B2	\$32.02													
		POT Bay Arrangements prior to 6/1/99 - 4-Fiber Cross-Connect, per cross-connect			CLO	PE1B4	\$40.48													
		Collocation Cable Records - per request *			CLO	PE1CR		\$1,518.57	\$976.22	\$265.99	\$265.99									
		Collocation Cable Records - VG/DS0 Cable, per cable record *			CLO	PR1CD		\$653.83	\$653.83	\$378.24	\$378.24									
		Collocation Cable Records - VG/DS0 Cable, per each 100 pair *			CLO	PE1CO		\$9.62	\$9.62	\$11.79	\$11.79									
		Collocation Cable Records - DS1, per T1TIE *			CLO	PE1C1		\$4.50	\$4.50	\$5.52	\$5.52									
		Collocation Cable Records - DS3, per T3TIE *			CLO	PE1C3		\$15.75	\$15.75	\$19.32	\$19.32									

BELLSOUTH / METROMEDIA FIBER NETWORK SERVICES RATES

**Collocation
Alabama**

CATEGORY	NOTE	RATE ELEMENT	Interim Indicator	Zone	BCS	USOC	RATES				OSS RATES						
							Rec	Nonrecurring		Nonrecurring Disconnect		Svc Order Submitted Elec per LSR	Svc Order Submitted Manually per LSR	Incremental Charge - Manual Svc Order vs. Electronic-1st	Incremental Charge - Manual Svc Order vs. Electronic-Add'l	Incremental Charge - Manual Svc Order vs. Electronic-Disc 1st	Incremental Charge - Manual Svc Order vs. Electronic-Disc Add'l
								First	Add'l	First	Add'l						
		Collocation Cable Records - Fiber Cable, per cable record *			CLO	PE1CB	\$168.97	\$168.97	\$154.25	\$154.25							
		Physical Collocation - Security Escort - Basic, per Half Hour			CLO	PE1BT	\$33.85	\$21.45									
		Physical Collocation - Security Escort - Overtime, per Half Hour			CLO	PE1OT	\$44.09	\$27.71									
		Physical Collocation - Security Escort - Premium, per Half Hour			CLO	PE1PT	\$54.33	\$33.96									
ADJACENT COLLOCATION																	
		Adjacent Collocation - Space Charge per Sq. Ft.			CLO	PE1JA	\$0.2542										
		Adjacent Collocation - Electrical Facility Charge per Linear Ft.			CLO	PE1JC	\$5.44										
		Adjacent Collocation - 2-Wire Cross-Connects			CLO	PE1P2	\$0.0598	\$24.95	\$23.97	\$12.80	\$11.67		\$1.53	\$1.53	\$11.80	\$10.67	
		Adjacent Collocation - 4-Wire Cross-Connects			UEA,UHL,UDL, UCL,CLO	PE1P4	\$0.1196	\$25.14	\$24.11	\$13.18	\$11.96		\$1.53	\$1.53	\$12.15	\$10.93	
		Adjacent Collocation - DS1 Cross-Connects			USL,CLO	PE1P1	\$1.04	\$44.19	\$32.13	\$12.94	\$11.82		\$1.53	\$1.53	\$11.93	\$10.81	
		Adjacent Collocation - DS3 Cross-Connects			CLO	PE1P3	\$14.12	\$41.93	\$30.69	\$14.72	\$12.05		\$1.53	\$1.53	\$13.71	\$11.04	
		Adjacent Collocation - 2-Fiber Cross-Connect			CLO	PE1F2	\$2.39	\$41.93	\$30.69	\$14.72	\$12.06		\$1.53	\$1.53	\$13.71	\$11.05	
		Adjacent Collocation - 4-Fiber Cross-Connect			CLO	PE1F4	\$4.57	\$51.14	\$39.9	\$18.97	\$16.3		\$1.53	\$1.53	\$17.96	\$15.29	
		Adjacent Collocation - Application Fee			CLO	PE1JB		\$1,555.0000	\$0.99								
		Adjacent Collocation - 120V, Single Phase Standby Power Rate per AC Breaker Amp			CLO	PE1FB	\$5.39										
		Adjacent Collocation - 240V, Single Phase Standby Power Rate per AC Breaker Amp			CLO	PE1FD	\$10.79										
		Adjacent Collocation - 120V, Three Phase Standby Power Rate per AC Breaker Amp			CLO	PE1FE	\$16.18										
		Adjacent Collocation - 277V, Three Phase Standby Power Rate per AC Breaker Amp			CLO	PE1FG	\$37.37										
PHYSICAL COLLOCATION IN THE REMOTE SITE																	
		Physical Collocation in the Remote Site - Application Fee *			CLO	PE1RA	\$608.17	\$608.17	\$323.44	\$323.44							
		Cabinet Space in the Remote Site per Bay/ Rack *			CLO	PE1RB	\$224.82										
		Physical Collocation in the Remote Site - Security Access - Key *			CLO	PE1RD	\$25.88	\$25.88									
		Physical Collocation in the Remote Site - Space Availability Report per Premises Requested *			CLO	PE1SR	\$229.02	\$229.02									
		Physical Collocation in the Remote Site - Remote Site CLLI Code Request, per CLLI Code Requested *			CLO	PE1RE	\$74.22	\$74.22									
* Interim rates which are subject to true-up.																	
NOTE: If Security Escort and/or Add'l Engineering Fees become necessary for remote site collocation, the Parties will negotiate appropriate rates.																	

BELLSOUTH / METROMEDIA FIBER NETWORK SERVICES RATES

Collocation
Florida

CATEGORY	NOTE	RATE ELEMENT	Interim Indicator	Zone	BCS	USOC	RATES				OSS RATES							
							Rec	Nonrecurring		Nonrecurring Disconnect		SOME C	SOMAN	SOMAN	SOMAN	SOMAN	SOMAN	SOMAN
								First	Add'l	First	Add'l							
PHYSICAL COLLOCATION																		
		Physical Collocation - Application Fee - Initial			CLO	PE1BA		\$3,791.00		\$3,791.00								
		Physical Collocation - Application Fee - Subsequent			CLO	PE1CA		\$3,160.00		\$3,160.00								
		Physical Collocation - Space Preparation - Firm Order Processing			CLO	PE1SJ		\$1,211.00		\$1,211.00								
		Physical Collocation - Space Preparation - C.O. Modification per square ft.			CLO	PE1SK	\$2.58											
		Physical Collocation - Space Preparation - Common Systems Modification per square ft. - Cageless			CLO	PE1SL	\$2.96											
		Physical Collocation - Space Preparation - Common Systems Modification per Cage			CLO	PE1SM	\$100.66											
		Physical Collocation - Cable Installation			CLO	PE1BD		\$1,826.00		\$1,826.00								
		Physical Collocation - Floor Space per Sq. Ft.			CLO	PE1PJ	\$6.57											
		Physical Collocation - Cable Support Structure			CLO	PE1PM	\$21.66											
		Physical Collocation - Power per Fused Amp			CLO	PE1PL	\$8.86											
		Physical Collocation - 120V, Single Phase Standby Power Rate			CLO	PE1FB	\$5.62											
		Physical Collocation - 240V, Single Phase Standby Power Rate			CLO	PE1FD	\$11.26											
		Physical Collocation - 120V, Three Phase Standby Power Rate			CLO	PE1FE	\$16.88											
		Physical Collocation - 277V, Three Phase Standby Power Rate			CLO	PE1FG	\$38.98											
		Physical Collocation - 2-Wire Cross-Connects			UEANL,UEA,U DN,UCC,UAL,U HL,UCL,UEQ	PE1P2	\$0.074	\$34.53		\$32.51								
		Physical Collocation - 4-Wire Cross-Connects			CLO	PE1P4	\$0.148	\$34.54		\$32.53								
		Physical Collocation - DS1 Cross-Connects			CLO	PE1P1	\$1.29	\$54.15		\$40.94								
		Physical Collocation - DS3 Cross-Connects			CLO	PE1P3	\$17.48	\$53.28		\$39.65								
		Physical Collocation - 2-Fiber Cross-Connect			CLO	PE1F2	\$2.96	\$53.28		\$39.66								
		Physical Collocation - 4-Fiber Cross-Connect			CLO	PE1F4	\$5.66	\$66.08		\$52.47								
		Physical Collocation - Welded Wire Cage - First 100 Sq. Ft.			CLO	PE1BW	\$205.93											
		Physical Collocation - Welded Wire Cage - Add'l 50 Sq. Ft.			CLO	PE1CW	\$20.20											
		Physical Collocation - Security System Per Central Office Per Assignable Sq. Ft.			CLO	PE1AX	\$0.0113											
		Physical Collocation - Security Access System - New Access Card Activation, per Card			CLO	PE1A1	\$0.06	\$56.03		\$56.03								
		Physical Collocation-Security Access System-Administrative Change, existing Access Card, per Card			CLO	PE1AA		\$15.71		\$15.71								
		Physical Collocation - Security Access System - Replace Lost or Stolen Card, per Card			CLO	PE1AR		\$45.93		\$45.93								
		Physical Collocation - Security Access - Initial Key, per Key			CLO	PE1AK		\$26.41		\$26.41								
		Physical Collocation - Security Access - Key, Replace Lost or Stolen Key, per Key			CLO	PE1AL		\$26.41		\$26.41								
		Physical Collocation - Space Availability Report per premises			CLO	PE1SR		\$2,168.00		\$2,168.00								
		Collocation Cable Records - per request *			CLO	PE1CR		\$1,709.00		\$1,166.00								
		Collocation Cable Records - VG/DS0 Cable, per cable record *			CLO	PR1CD		\$923.86		\$923.86								
		Collocation Cable Records - VG/DS0 Cable, per each 100 pair *			CLO	PE1CO		\$18.03		\$18.03								
		Collocation Cable Records - DS1, per T1TIE *			CLO	PE1C1		\$8.44		\$8.44								
		Collocation Cable Records - DS3, per T3TIE *			CLO	PE1C3		\$29.54		\$29.54								
		Collocation Cable Records - Fiber Cable, per cable record *			CLO	PE1CB		\$279.05		\$279.05								
		Physical Collocation - Security Escort - Basic, Per Quarter Hour			CLO	PE1BQ		\$10.89										
		Physical Collocation - Security Escort - Overtime, Per Quarter Hour			CLO	PE1OQ		\$13.64										
		Physical Collocation - Security Escort - Premium, Per Quarter Hour			CLO	PE1PQ		\$16.40										
ADJACENT COLLOCATION																		
		Adjacent Collocation - Space Charge per Sq. Ft.			CLO	PE1JA	\$0.182											

BELLSOUTH / METROMEDIA FIBER NETWORK SERVICES RATES

Collocation
Florida

CATEGORY	NOTE	RATE ELEMENT	Interim Indicator	Zone	BCS	USOC	RATES					OSS RATES					
							Rec	Nonrecurring		Nonrecurring Disconnect		Svc Order Submitted Elec per LSR	Svc Order Submitted Manually per LSR	Incremental Charge - Manual Svc Order vs. Electronic-1st	Incremental Charge - Manual Svc Order vs. Electronic-Add'l	Incremental Charge - Manual Svc Order vs. Electronic-Disc 1st	Incremental Charge - Manual Svc Order vs. Electronic-Disc Add'l
								First	Add'l	First	Add'l						
								SOMEC	SOMAN	SOMAN	SOMAN						
		Adjacent Collocation - Electrical Facility Charge per Linear Ft.			CLO	PE1JC	\$6.70										
		Adjacent Collocation - 2-Wire Cross-Connects			CLO	PE1P2	\$0.074	\$34.53	\$32.51								
		Adjacent Collocation - 4-Wire Cross-Connects			UEA,UHL,UDL, UCL,CLO	PE1P4	\$0.148	\$34.54	\$32.53								
		Adjacent Collocation - DS1 Cross-Connects			USL,CLO	PE1P1	\$1.29	\$54.15	\$40.94								
		Adjacent Collocation - DS3 Cross-Connects			CLO	PE1P3	\$17.48	\$53.28	\$39.65								
		Adjacent Collocation - 2-Fiber Cross-Connect			CLO	PE1F2	\$2.96	\$53.28	\$39.66								
		Adjacent Collocation - 4-Fiber Cross-Connect			CLO	PE1F4	\$5.66	\$66.08	\$52.47								
		Adjacent Collocation - Application Fee			CLO	PE1JB		\$2,677.00									
		Adjacent Collocation - 120V, Single Phase Standby Power Rate per AC Breaker Amp			CLO	PE1FB	\$5.62										
		Adjacent Collocation - 240V, Single Phase Standby Power Rate per AC Breaker Amp			CLO	PE1FD	\$11.26										
		Adjacent Collocation - 120V, Three Phase Standby Power Rate per AC Breaker Amp			CLO	PE1FE	\$16.88										
		Adjacent Collocation - 277V, Three Phase Standby Power Rate per AC Breaker Amp			CLO	PE1FG	\$38.98										
PHYSICAL COLLOCATION IN THE REMOTE SITE																	
		Physical Collocation in the Remote Site - Application Fee *			CLO	PE1RA		\$874.14	\$874.14								
		Cabinet Space in the Remote Site per Bay/ Rack *			CLO	PE1RB	\$232.50										
		Physical Collocation in the Remote Site - Security Access - Key *			CLO	PE1RD		\$26.20	\$26.20								
		Physical Collocation in the Remote Site - Space Availability Report per Premises Requested *			CLO	PE1SR		\$231.45	\$231.45								
		Physical Collocation in the Remote Site - Remote Site CLLI Code Request, per CLLI Code Requested *			CLO	PE1RE		\$75.13	\$75.13								
		* Interim rates which are subject to true-up.															
		NOTE: If Security Escort and/or Add'l Engineering Fees become necessary for remote site collocation, the Parties will negotiate appropriate rates.															

BELLSOUTH / METROMEDIA FIBER NETWORK SERVICES RATES

Collocation
Georgia

CATEGORY	NOTE	RATE ELEMENT	Interim Indicator	Zone	BCS	USOC	RATES				OSS RATES							
							Rec	Nonrecurring		Nonrecurring Disconnect		SOME C	SOMAN	SOMAN	SOMAN	SOMAN	SOMAN	SOMAN
								First	Add'l	First	Add'l							
								Svc Order Submitted Elec per LSR										
PHYSICAL COLLOCATION																		
		Physical Collocation - Application Fee - Initial			CLO	PE1BA		\$3,755.00		\$3,755.00								
		Physical Collocation - Application Fee - Subsequent			CLO	PE1CA		\$3,130.00		\$3,130.00								
		Physical Collocation - Space Preparation Fee Per Square Ft.			CLO	PE1BB				\$100.00								
		Physical Collocation - Cable Installation			CLO	PE1BD		\$1,693.00		\$1,693.00								
		Physical Collocation - Floor Space per Sq. Ft.			CLO	PE1PJ		\$4.47										
		Physical Collocation - Floor Space - Zone B per Sq. Ft.			CLO	PE1PK		\$4.47										
		Physical Collocation - Cable Support Structure			CLO	PE1PM		\$19.26										
		Physical Collocation - Power per Fused Amp			CLO	PE1PL		\$5.00										
		Physical Collocation - 120V, Single Phase Standby Power Rate	I		CLO	PE1FB		\$5.52										
		Physical Collocation - 240V, Single Phase Standby Power Rate	I		CLO	PE1FD		\$11.05										
		Physical Collocation - 120V, Three Phase Standby Power Rate	I		CLO	PE1FE		\$16.58										
		Physical Collocation - 277V, Three Phase Standby Power Rate	I		CLO	PE1FG		\$38.27										
		Physical Collocation - 2-Wire Cross-Connects			UEANL,UEA,U DN,U DC,UAL,U HL,UCL,UEQ	PE1P2		\$0.030	\$33.76		\$31.86							
		Physical Collocation - 4-Wire Cross-Connects			CLO	PE1P4		\$0.061	\$33.77		\$31.80							
		Physical Collocation - DS1 Cross-Connects			CLO	PE1P1		\$1.13	\$53.05		\$39.99							
		Physical Collocation - DS3 Cross-Connects			CLO	PE1P3		\$14.43	\$52.14		\$38.71							
		Physical Collocation - 2-Fiber Cross-Connect			CLO	PE1F2		\$2.86	\$52.14		\$38.72							
		Physical Collocation - 4-Fiber Cross-Connect			CLO	PE1F4		\$5.08	\$64.74		\$51.31							
		Physical Collocation - Welded Wire Cage - First 100 Sq. Ft.			CLO	PE1BW		\$187.36										
		Physical Collocation - Welded Wire Cage - Add'l 50 Sq. Ft.			CLO	PE1CW		\$18.38										
		Physical Collocation - Security Access System - Security System per Central Office	I		CLO	PE1AX		\$40.00										
		Physical Collocation - Security Access System - New Access Card Activation, per Card	I		CLO	PE1A1		\$0.058	\$55.51		\$55.51							
		Physical Collocation - Security Access System - Administrative Change, existing Access Card, per Card	I		CLO	PE1AA		\$15.56		\$15.56								
		Physical Collocation - Security Access System - Replace Lost or Stolen Card, per Card	I		CLO	PE1AR		\$45.50		\$45.50								
		Physical Collocation - Security Access - Initial Key, per Key			CLO	PE1AK		\$26.16		\$26.16								
		Physical Collocation - Security Access - Key, Replace Lost or Stolen Key, per Key			CLO	PE1AL		\$26.16		\$26.16								
		Physical Collocation - Space Availability Report per premises	I		CLO	PE1SR			\$2,148.00		\$2,148.00							
		POT Bay Arrangements prior to 6/1/99 - 2-Wire Cross-Connect, per cross-connect			UEANL,CLO	PE1PE		\$0.40										
		POT Bay Arrangements prior to 6/1/99 - 4-Wire Cross-Connect, per cross-connect			CLO	PE1PF		\$1.20										
		POT Bay Arrangements prior to 6/1/99 - DS1 Cross-Connect, per cross-connect			CLO	PE1PG		\$1.20										
		POT Bay Arrangements prior to 6/1/99 - DS3 Cross-Connect, per cross-connect			CLO	PE1PH		\$8.00										
		POT Bay Arrangements prior to 6/1/99 - 2-Fiber Cross-Connect, per cross-connect			CLO	PE1B2		\$38.79										
		POT Bay Arrangements prior to 6/1/99 - 4-Fiber Cross-Connect, per cross-connect			CLO	PE1B4		\$52.31										
		Collocation Cable Records - per request *			CLO	PE1CR		\$1,706.00		\$1,164.00								
		Collocation Cable Records - VG/DS0 Cable, per cable record *			CLO	PR1CD		\$922.38		\$922.38								
		Collocation Cable Records - VG/DS0 Cable, per each 100 pair *			CLO	PE1CO		\$18.00		\$18.00								
		Collocation Cable Records - DS1, per T1TIE *			CLO	PE1C1		\$8.43		\$8.43								
		Collocation Cable Records - DS3, per T3TIE *			CLO	PE1C3		\$29.49		\$29.49								
		Collocation Cable Records - Fiber Cable, per cable record *			CLO	PE1CB		\$278.61		\$278.61								
		Physical Collocation - Security Escort - Basic, per Half Hour			CLO	PE1BT		\$33.81		\$21.42								

BELLSOUTH / METROMEDIA FIBER NETWORK SERVICES RATES

Collocation
Georgia

CATEGORY	NOTE	RATE ELEMENT	Interim Indicator	Zone	BCS	USOC	RATES				OSS RATES								
							Rec	Nonrecurring		Nonrecurring Disconnect		SOME C	SOMAN	SOMAN	SOMAN	SOMAN	SOMAN	SOMAN	
								First	Add'l	First	Add'l								
		Physical Collocation - Security Escort - Overtime, per Half Hour			CLO	PE1OT		\$44.03	\$27.67										
		Physical Collocation - Security Escort - Premium, per Half Hour			CLO	PE1PT		\$54.26	\$33.92										
ADJACENT COLLOCATION																			
		Adjacent Collocation - Space Charge per Sq. Ft.			CLO	PE1JA	\$0.119												
		Adjacent Collocation - Electrical Facility Charge per Linear Ft.			CLO	PE1JC	\$5.76												
		Adjacent Collocation - 2-Wire Cross-Connects			CLO	PE1P2	\$0.03	\$33.76	\$31.86										
		Adjacent Collocation - 4-Wire Cross-Connects			UEA,UHL,UDL, UCL,CLO	PE1P4	\$0.061	\$33.77	\$31.80										
		Adjacent Collocation - DS1 Cross-Connects			USL,CLO	PE1P1	\$1.13	\$53.05	\$39.99										
		Adjacent Collocation - DS3 Cross-Connects			CLO	PE1P3	\$14.43	\$52.14	\$38.71										
		Adjacent Collocation - 2-Fiber Cross-Connect			CLO	PE1F2	\$2.86	\$52.14	\$38.72										
		Adjacent Collocation - 4-Fiber Cross-Connect			CLO	PE1F4	\$5.08	\$64.74	\$51.31										
		Adjacent Collocation - Application Fee			CLO	PE1JB		\$3,150.00											
		Adjacent Collocation - 120V, Single Phase Standby Power Rate per AC Breaker Amp			CLO	PE1FB	\$5.52												
		Adjacent Collocation - 240V, Single Phase Standby Power Rate per AC Breaker Amp			CLO	PE1FD	\$11.05												
		Adjacent Collocation - 120V, Three Phase Standby Power Rate per AC Breaker Amp			CLO	PE1FE	\$16.58												
		Adjacent Collocation - 277V, Three Phase Standby Power Rate per AC Breaker Amp			CLO	PE1FG	\$38.27												
PHYSICAL COLLOCATION IN THE REMOTE SITE																			
		Physical Collocation in the Remote Site - Application Fee *			CLO	PE1RA		\$931.61	\$931.61										
		Cabinet Space in the Remote Site per Bay/ Rack *			CLO	PE1RB	\$224.82												
		Physical Collocation in the Remote Site - Security Access - Key *			CLO	PE1RD	\$25.88	\$25.88											
		Physical Collocation in the Remote Site - Space Availability Report per Premises Requested *			CLO	PE1SR	\$229.02	\$229.02											
		Physical Collocation in the Remote Site - Remote Site CLLI Code Request, per CLLI Code Requested *			CLO	PE1RE	\$74.22	\$74.22											
		* Interim rates which are subject to true-up.																	
		NOTE: If Security Escort and/or Add'l Engineering Fees become necessary for remote site collocation, the Parties will negotiate appropriate rates.																	

BELLSOUTH / METROMEDIA FIBER NETWORK SERVICES RATES

Collocation
Kentucky

CATEGORY	NOTE	RATE ELEMENT	Interim Indicator	Zone	BCS	USOC	RATES				OSS RATES							
							Rec	Nonrecurring		Nonrecurring Disconnect		SOME C	SOMAN	SOMAN	SOMAN	SOMAN	SOMAN	SOMAN
								First	Add'l	First	Add'l							
								Nonrecurring										
PHYSICAL COLLOCATION																		
		Physical Collocation - Application Fee - Initial			CLO	PE1BA		\$3,761.00		\$3,761.00								
		Physical Collocation - Application Fee - Subsequent			CLO	PE1CA		\$3,135.00		\$3,135.00								
		Physical Collocation - Space Preparation - Firm Order Processing	I		CLO	PE1SJ		\$1,202.00		\$1,202.00								
		Physical Collocation - Space Preparation - C.O. Modification per square ft.	I		CLO	PE1SK		\$2.38										
		Physical Collocation - Space Preparation - Common Systems Modification per square ft. - Cageless	I		CLO	PE1SL		\$3.30										
		Physical Collocation - Space Preparation - Common Systems Modification per Cage	I		CLO	PE1SM		\$112.11										
		Physical Collocation - Cable Installation			CLO	PE1BD		\$1,755.00		\$1,755.00								
		Physical Collocation - Floor Space per Sq. Ft.			CLO	PE1PJ		\$8.20										
		Physical Collocation - Cable Support Structure			CLO	PE1PM		\$20.14										
		Physical Collocation - Power per Fused Amp			CLO	PE1PL		\$8.77										
		Physical Collocation - 120V, Single Phase Standby Power Rate	I		CLO	PE1FB		\$5.58										
		Physical Collocation - 240V, Single Phase Standby Power Rate	I		CLO	PE1FD		\$11.16										
		Physical Collocation - 120V, Three Phase Standby Power Rate	I		CLO	PE1FE		\$16.74										
		Physical Collocation - 277V, Three Phase Standby Power Rate	I		CLO	PE1FG		\$38.65										
		Physical Collocation - 2-Wire Cross-Connects			UEANL,UEA,U DN,UCC,UAL,U HL,UCL,UEQ	PE1P2		\$0.037	\$33.67		\$31.78							
		Physical Collocation - 4-Wire Cross-Connects			CLO	PE1P4		\$0.075	\$33.66		\$31.70							
		Physical Collocation - DS1 Cross-Connects			CLO	PE1P1		\$1.51	\$52.97		\$39.90							
		Physical Collocation - DS3 Cross-Connects			CLO	PE1P3		\$19.15	\$52.04		\$38.62							
		Physical Collocation - 2-Fiber Cross-Connect			CLO	PE1F2		\$3.80	\$52.04		\$38.63							
		Physical Collocation - 4-Fiber Cross-Connect			CLO	PE1F4		\$6.75	\$64.59		\$51.18							
		Physical Collocation - Welded Wire Cage - First 100 Sq. Ft.			CLO	PE1BW		\$189.85										
		Physical Collocation - Welded Wire Cage - Add'l 50 Sq. Ft.			CLO	PE1CW		\$18.62										
		Physical Collocation - Security Access System - Security System per Central Office	I		CLO	PE1AX		\$78.11										
		Physical Collocation - Security Access System - New Access Card Activation, per Card			CLO	PE1A1		\$0.059	\$55.59		\$55.59							
		Physical Collocation-Security Access System-Administrative Change, existing Access Card, per Card			CLO	PE1AA		\$15.59		\$15.59								
		Physical Collocation - Security Access System - Replace Lost or Stolen Card, per Card			CLO	PE1AR		\$45.58		\$45.58								
		Physical Collocation - Security Access - Initial Key, per Key			CLO	PE1AK		\$26.20		\$26.20								
		Physical Collocation - Security Access - Key, Replace Lost or Stolen Key, per Key			CLO	PE1AL		\$26.20		\$26.20								
		Physical Collocation - Space Availability Report per premises			CLO	PE1SR		\$2,151.00		\$2,151.00								
		POT Bay Arrangements prior to 6/1/99 - 2-Wire Cross-Connect, per cross-connect			UEANL,CLO	PE1PE		\$0.06										
		POT Bay Arrangements prior to 6/1/99 - 4-Wire Cross-Connect, per cross-connect			CLO	PE1PF		\$0.15										
		POT Bay Arrangements prior to 6/1/99 - DS1 Cross-Connect, per cross-connect			CLO	PE1PG		\$0.58										
		POT Bay Arrangements prior to 6/1/99 - DS3 Cross-Connect, per cross-connect			CLO	PE1PH		\$4.51										
		POT Bay Arrangements prior to 6/1/99 - 2-Fiber Cross-Connect, per cross-connect			CLO	PE1B2		\$38.79										
		POT Bay Arrangements prior to 6/1/99 - 4-Fiber Cross-Connect, per cross-connect			CLO	PE1B4		\$52.31										
		Collocation Cable Records - per request *			CLO	PE1CR		\$1,709.00		\$1,166.00								
		Collocation Cable Records - VG/DS0 Cable, per cable record *			CLO	PR1CD		\$923.83		\$923.83								
		Collocation Cable Records - VG/DS0 Cable, per each 100 pair *			CLO	PE1CO		\$18.03		\$18.03								
		Collocation Cable Records - DS1, per T1TIE *			CLO	PE1C1		\$8.44		\$8.44								
		Collocation Cable Records - DS3, per T3TIE *			CLO	PE1C3		\$29.54		\$29.54								

BELLSOUTH / METROMEDIA FIBER NETWORK SERVICES RATES

Collocation
Kentucky

CATEGORY	NOTE	RATE ELEMENT	Interim Indicator	Zone	BCS	USOC	RATES				OSS RATES								
							Rec	Nonrecurring		Disconnect		SOME C	SOMAN	SOMAN	SOMAN	SOMAN	SOMAN	SOMAN	
								First	Add'l	First	Add'l								
		Collocation Cable Records - Fiber Cable, per cable record *			CLO	PE1CB		\$279.05	\$279.05										
		Physical Collocation - Security Escort - Basic, per Half Hour			CLO	PE1BT		\$33.86	\$21.46										
		Physical Collocation - Security Escort - Overtime, per Half Hour			CLO	PE1OT		\$44.10	\$27.72										
		Physical Collocation - Security Escort - Premium, per Half Hour			CLO	PE1PT		\$54.35	\$33.97										
ADJACENT COLLOCATION																			
		Adjacent Collocation - Space Charge per Sq. Ft.			CLO	PE1JA	\$0.018												
		Adjacent Collocation - Electrical Facility Charge per Linear Ft.			CLO	PE1JC	\$6.01												
		Adjacent Collocation - 2-Wire Cross-Connects			CLO	PE1P2	\$0.037	\$33.67	\$31.78										
		Adjacent Collocation - 4-Wire Cross-Connects			UEA,UHL,UDL, UCL,CLO	PE1P4	\$0.075	\$33.66	\$31.70										
		Adjacent Collocation - DS1 Cross-Connects			USL,CLO	PE1P1	\$1.51	\$52.97	\$39.9										
		Adjacent Collocation - DS3 Cross-Connects			CLO	PE1P3	\$19.15	\$52.04	\$38.62										
		Adjacent Collocation - 2-Fiber Cross-Connect			CLO	PE1F2	\$3.8	\$52.04	\$38.63										
		Adjacent Collocation - 4-Fiber Cross-Connect			CLO	PE1F4	\$6.75	\$64.59	\$51.18										
		Adjacent Collocation - Application Fee			CLO	PE1JB		\$3,155.00											
		Adjacent Collocation - 120V, Single Phase Standby Power Rate per AC Breaker Amp			CLO	PE1FB	\$5.58												
		Adjacent Collocation - 240V, Single Phase Standby Power Rate per AC Breaker Amp			CLO	PE1FD	\$11.16												
		Adjacent Collocation - 120V, Three Phase Standby Power Rate per AC Breaker Amp			CLO	PE1FE	\$16.74												
		Adjacent Collocation - 277V, Three Phase Standby Power Rate per AC Breaker Amp			CLO	PE1FG	\$38.65												
PHYSICAL COLLOCATION IN THE REMOTE SITE																			
		Physical Collocation in the Remote Site - Application Fee *			CLO	PE1RA		\$868.91	\$868.91										
		Cabinet Space in the Remote Site per Bay/ Rack *			CLO	PE1RB	\$224.41												
		Physical Collocation in the Remote Site - Security Access - Key *			CLO	PE1RD	\$26.60	\$26.60											
		Physical Collocation in the Remote Site - Space Availability Report per Premises Requested *			CLO	PE1SR	\$231.82	\$231.82											
		Physical Collocation in the Remote Site - Remote Site CLLI Code Request, per CLLI Code Requested *			CLO	PE1RE	\$75.13	\$75.13											
		* Interim rates which are subject to true-up.																	
		NOTE: If Security Escort and/or Add'l Engineering Fees become necessary for remote site collocation, the Parties will negotiate appropriate rates.																	

BELLSOUTH / METROMEDIA FIBER NETWORK SERVICES RATES

Collocation
Louisiana

CATEGORY	NOTE	RATE ELEMENT	Interim Indicator	Zone	BCS	USOC	RATES				OSS RATES							
							Rec	Nonrecurring		Nonrecurring Disconnect		SOME C	SOMAN	SOMAN	SOMAN	SOMAN	SOMAN	SOMAN
								First	Add'l	First	Add'l							
								Nonrecurring										
PHYSICAL COLLOCATION																		
		Physical Collocation - Application Fee - Initial			CLO	PE1BA		\$3,756.00		\$3,756.00								
		Physical Collocation - Application Fee - Subsequent			CLO	PE1CA		\$3,131.00		\$3,131.00								
		Physical Collocation - Space Preparation - Firm Order Processing	I		CLO	PE1SJ		\$1,200.00		\$1,200.00								
		Physical Collocation - Space Preparation - C.O. Modification per square ft.	I		CLO	PE1SK	\$2.60											
		Physical Collocation - Space Preparation - Common Systems Modification per square ft. - Cageless	I		CLO	PE1SL	\$3.15											
		Physical Collocation - Space Preparation - Common Systems Modification per Cage	I		CLO	PE1SM	\$105.87											
		Physical Collocation - Cable Installation			CLO	PE1BD		\$1,753.00		\$1,753.00								
		Physical Collocation - Floor Space per Sq. Ft.			CLO	PE1PJ	\$5.94											
		Physical Collocation - Cable Support Structure			CLO	PE1PM	\$21.16											
		Physical Collocation - Power per Fused Amp	I		CLO	PE1PL	\$9.20											
		Physical Collocation - 120V, Single Phase Standby Power Rate	I		CLO	PE1FB	\$5.66											
		Physical Collocation - 240V, Single Phase Standby Power Rate	I		CLO	PE1FD	\$11.34											
		Physical Collocation - 120V, Three Phase Standby Power Rate	I		CLO	PE1FE	\$17.00											
		Physical Collocation - 277V, Three Phase Standby Power Rate	I		CLO	PE1FG	\$39.26											
		Physical Collocation - 2-Wire Cross-Connects			UEANL,UEA,U DN,UCC,UAL,U HL,UCL,UEQ	PE1P2	\$0.036	\$33.61		\$31.76								
		Physical Collocation - 4-Wire Cross-Connects			CLO	PE1P4	\$0.073	\$33.53		\$31.58								
		Physical Collocation - DS1 Cross-Connects			CLO	PE1P1	\$1.20	\$52.80		\$39.76								
		Physical Collocation - DS3 Cross-Connects			CLO	PE1P3	\$15.26	\$51.86		\$38.49								
		Physical Collocation - 2-Fiber Cross-Connect			CLO	PE1F2	\$3.03	\$51.86		\$38.49								
		Physical Collocation - 4-Fiber Cross-Connect			CLO	PE1F4	\$5.38	\$64.36		\$50.99								
		Physical Collocation - Welded Wire Cage - First 100 Sq. Ft.			CLO	PE1BW	\$207.06											
		Physical Collocation - Welded Wire Cage - Add'l 50 Sq. Ft.			CLO	PE1CW	\$20.31											
		Physical Collocation - Security Access System - Security System per Central Office	I		CLO	PE1AX	\$60.60											
		Physical Collocation - Security Access System - New Access Card Activation, per Card	I		CLO	PE1A1	\$0.06	\$55.51		\$55.51								
		Physical Collocation-Security Access System-Administrative Change, existing Access Card, per Card	I		CLO	PE1AA	\$15.57		\$15.57									
		Physical Collocation - Security Access System - Replace Lost or Stolen Card, per Card			CLO	PE1AR	\$45.51		\$45.51									
		Physical Collocation - Security Access - Initial Key, per Key			CLO	PE1AK	\$26.16		\$26.16									
		Physical Collocation - Security Access - Key, Replace Lost or Stolen Key, per Key			CLO	PE1AL	\$26.16		\$26.16									
		Physical Collocation - Space Availability Report per premises	I		CLO	PE1SR	\$2,148.00		\$2,148.00									
		POT Bay Arrangements prior to 6/1/99 - 2-Wire Cross-Connect, per cross-connect			UEANL,CLO	PE1PE	\$0.0776											
		POT Bay Arrangements prior to 6/1/99 - 4-Wire Cross-Connect, per cross-connect			CLO	PE1PF	\$0.1552											
		POT Bay Arrangements prior to 6/1/99 - DS1 Cross-Connect, per cross-connect			CLO	PE1PG	\$0.6406											
		POT Bay Arrangements prior to 6/1/99 - DS3 Cross-Connect, per cross-connect			CLO	PE1PH	\$4.75											
		POT Bay Arrangements prior to 6/1/99 - 2-Fiber Cross-Connect, per cross-connect			CLO	PE1B2	\$47.44											
		POT Bay Arrangements prior to 6/1/99 - 4-Fiber Cross-Connect, per cross-connect			CLO	PE1B4	\$63.97											
		Collocation Cable Records - per request *			CLO	PE1CR		\$1,706.00		\$1,165.00								
		Collocation Cable Records - VG/DS0 Cable, per cable record *			CLO	PR1CD		\$922.51		\$922.51								
		Collocation Cable Records - VG/DS0 Cable, per each 100 pair *			CLO	PE1CO		\$18.00		\$18.00								
		Collocation Cable Records - DS1, per T1TIE *			CLO	PE1C1		\$8.43		\$8.43								
		Collocation Cable Records - DS3, per T3TIE *			CLO	PE1C3		\$29.49		\$29.49								

BELLSOUTH / METROMEDIA FIBER NETWORK SERVICES RATES
Collocation
Louisiana

Attachment 4
Exhibit A
Rates - Page 10

CATEGORY	NOTE	RATE ELEMENT	Interim Indicator	Zone	BCS	USOC	RATES				OSS RATES							
							Rec	Nonrecurring		Nonrecurring Disconnect		SOMEc	SOMAN	SOMAN	SOMAN	SOMAN	SOMAN	SOMAN
								First	Add'l	First	Add'l							
														Svc Order Submitted Elec per LSR	Svc Order Submitted Manually per LSR	Incremental Charge - Manual Svc Order vs. Electronic-1st	Incremental Charge - Manual Svc Order vs. Electronic-Add'l	Incremental Charge - Manual Svc Order vs. Electronic-Disc 1st
		Collocation - Cable Records - Fiber Cable, per cable record *			CLO	PE1CB	\$278.65	\$278.65										
		Physical Collocation - Security Escort - Basic, per Half Hour			CLO	PE1BT	\$33.97	\$21.53										
		Physical Collocation - Security Escort - Overtime, per Half Hour			CLO	PE1OT	\$44.25	\$27.81										
		Physical Collocation - Security Escort - Premium, per Half Hour			CLO	PE1PT	\$54.53	\$34.09										
ADJACENT COLLOCATION																		
		Adjacent Collocation - Space Charge per Sq. Ft.			CLO	PE1JA	\$0.062											
		Adjacent Collocation - Electrical Facility Charge per Linear Ft.			CLO	PE1JC	\$6.41											
		Adjacent Collocation - 2-Wire Cross-Connects			CLO	PE1P2	\$0.036	\$33.61	\$31.76									
		Adjacent Collocation - 4-Wire Cross-Connects			UEA, UHL, UDL, UCL, CLO	PE1P4	\$0.073	\$33.53	\$31.58									
		Adjacent Collocation - DS1 Cross-Connects			USL, CLO	PE1P1	\$1.2	\$52.80	\$39.76									
		Adjacent Collocation - DS3 Cross-Connects			CLO	PE1P3	\$15.26	\$51.86	\$38.49									
		Adjacent Collocation - 2-Fiber Cross-Connect			CLO	PE1F2	\$3.03	\$51.86	\$38.49									
		Adjacent Collocation - 4-Fiber Cross-Connect			CLO	PE1F4	\$5.38	\$64.36	\$50.99									
		Adjacent Collocation - Application Fee			CLO	PE1JB		\$3,151.00										
		Adjacent Collocation - 120V, Single Phase Standby Power Rate per AC Breaker Amp			CLO	PE1FB	\$5.66											
		Adjacent Collocation - 240V, Single Phase Standby Power Rate per AC Breaker Amp			CLO	PE1FD	\$11.34											
		Adjacent Collocation - 120V, Three Phase Standby Power Rate per AC Breaker Amp			CLO	PE1FE	\$17.00											
		Adjacent Collocation - 277V, Three Phase Standby Power Rate per AC Breaker Amp			CLO	PE1FG	\$39.26											
PHYSICAL COLLOCATION IN THE REMOTE SITE																		
		Physical Collocation in the Remote Site - Application Fee *			CLO	PE1RA	\$868.25	\$868.25										
		Cabinet Space in the Remote Site per Bay/ Rack *			CLO	PE1RB	\$257.01											
		Physical Collocation in the Remote Site - Security Access - Key *			CLO	PE1RD	\$26.16	\$26.16										
		Physical Collocation in the Remote Site - Space Availability Report per Premises Requested *			CLO	PE1SR	\$231.49	\$231.49										
		Physical Collocation in the Remote Site - Remote Site CLLI Code Request, per CLLI Code Requested *			CLO	PE1RE	\$75.02	\$75.02										
* Interim rates which are subject to true-up.																		
NOTE: If Security Escort and/or Add'l Engineering Fees become necessary for remote site collocation, the Parties will negotiate appropriate rates.																		

BELLSOUTH / METROMEDIA FIBER NETWORK SERVICES RATES

Collocation
Mississippi

CATEGORY	NOTE	RATE ELEMENT	Interim Indicator	Zone	BCS	USOC	RATES				OSS RATES												
							Rec	Nonrecurring		Nonrecurring Disconnect		SOME C	SOMAN	SOMAN	SOMAN	SOMAN	SOMAN	SOMAN					
								First	Add'l	First	Add'l												
PHYSICAL COLLOCATION																							
		Physical Collocation - Application Fee - Initial			CLO	PE1BA		\$3,755.00		\$3,755.00													
		Physical Collocation - Application Fee - Subsequent			CLO	PE1CA		\$3,130.00		\$3,130.00													
		Physical Collocation - Space Preparation - Firm Order Processing	I		CLO	PE1SJ		\$1,200.00		\$1,200.00													
		Physical Collocation - Space Preparation - C.O. Modification per square ft.	I		CLO	PE1SK	\$2.61																
		Physical Collocation - Space Preparation - Common Systems Modification per square ft. - Cageless	I		CLO	PE1SL	\$2.88																
		Physical Collocation - Space Preparation - Common Systems Modification per Cage	I		CLO	PE1SM	\$97.85																
		Physical Collocation - Cable Installation			CLO	PE1BD		\$1,871.00		\$1,871.00													
		Physical Collocation - Floor Space per Sq. Ft.			CLO	PE1PJ	\$6.53																
		Physical Collocation - Cable Support Structure			CLO	PE1PM	\$19.90																
		Physical Collocation - Power per Fused Amp	I		CLO	PE1PL	\$8.96																
		Physical Collocation - 120V, Single Phase Standby Power Rate	I		CLO	PE1FB	\$5.61																
		Physical Collocation - 240V, Single Phase Standby Power Rate	I		CLO	PE1FD	\$11.23																
		Physical Collocation - 120V, Three Phase Standby Power Rate	I		CLO	PE1FE	\$16.84																
		Physical Collocation - 277V, Three Phase Standby Power Rate	I		CLO	PE1FG	\$38.89																
		Physical Collocation - 2-Wire Cross-Connects			UEANL,UEA,U DN,UCC,UAL,U HL,UCL,UEQ	PE1P2	\$0.038	\$33.65		\$31.77													
		Physical Collocation - 4-Wire Cross-Connects			CLO	PE1P4	\$0.076	\$33.46		\$31.52													
		Physical Collocation - DS1 Cross-Connects			CLO	PE1P1	\$1.30	\$52.73		\$39.70													
		Physical Collocation - DS3 Cross-Connects			CLO	PE1P3	\$16.55	\$51.78		\$38.43													
		Physical Collocation - 2-Fiber Cross-Connect			CLO	PE1F2	\$3.28	\$51.78		\$38.43													
		Physical Collocation - 4-Fiber Cross-Connect			CLO	PE1F4	\$5.83	\$64.27		\$50.91													
		Physical Collocation - Welded Wire Cage - First 100 Sq. Ft.			CLO	PE1BW	\$208.30																
		Physical Collocation - Welded Wire Cage - Add'l 50 Sq. Ft.			CLO	PE1CW	\$20.43																
		Physical Collocation - Security Access System - Security System per Central Office	I		CLO	PE1AX	\$85.54																
		Physical Collocation - Security Access System - New Access Card Activation, per Card	I		CLO	PE1A1	\$0.061	\$55.50		\$55.50													
		Physical Collocation-Security Access System-Administrative Change, existing Access Card, per Card	I		CLO	PE1AA	\$15.56		\$15.56														
		Physical Collocation - Security Access System - Replace Lost or Stolen Card, per Card			CLO	PE1AR	\$45.50		\$45.50														
		Physical Collocation - Security Access - Initial Key, per Key			CLO	PE1AK	\$26.16		\$26.16														
		Physical Collocation - Security Access - Key, Replace Lost or Stolen Key, per Key			CLO	PE1AL	\$26.16		\$26.16														
		Physical Collocation - Space Availability Report per premises	I		CLO	PE1SR	\$2,147.00		\$2,147.00														
		POT Bay Arrangements prior to 6/1/99 - 2-Wire Cross-Connect, per cross-connect			UEANL,CLO	PE1PE	\$0.1195																
		POT Bay Arrangements prior to 6/1/99 - 4-Wire Cross-Connect, per cross-connect			CLO	PE1PF	\$0.2389																
		POT Bay Arrangements prior to 6/1/99 - DS1 Cross-Connect, per cross-connect			CLO	PE1PG	\$0.9862																
		POT Bay Arrangements prior to 6/1/99 - DS3 Cross-Connect, per cross-connect			CLO	PE1PH	\$5.81																
		POT Bay Arrangements prior to 6/1/99 - 2-Fiber Cross-Connect, per cross-connect			CLO	PE1B2	\$38.79																
		POT Bay Arrangements prior to 6/1/99 - 4-Fiber Cross-Connect, per cross-connect			CLO	PE1B4	\$52.31																
		Collocation Cable Records - per request *			CLO	PE1CR		\$1,706.00		\$1,164.00													
		Collocation Cable Records - VG/DS0 Cable, per cable record *			CLO	PR1CD		\$922.28		\$922.28													
		Collocation Cable Records - VG/DS0 Cable, per each 100 pair *			CLO	PE1CO		\$18.00		\$18.00													
		Collocation Cable Records - DS1, per T1TIE *			CLO	PE1C1		\$8.42		\$8.42													
		Collocation Cable Records - DS3, per T3TIE *			CLO	PE1C3		\$29.49		\$29.49													

BELLSOUTH / METROMEDIA FIBER NETWORK SERVICES RATES

Collocation
Mississippi

CATEGORY	NOTE	RATE ELEMENT	Interim Indicator	Zone	BCS	USOC	RATES				OSS RATES									
							Rec	Nonrecurring		Nonrecurring Disconnect		SOME C	SOMAN	SOMAN	SOMAN	SOMAN	SOMAN	SOMAN		
								First	Add'l	First	Add'l									
		Collocation Cable Records - Fiber Cable, per cable record *			CLO	PE1CB		\$278.58	\$278.58											
		Physical Collocation - Security Escort - Basic, per Half Hour			CLO	PE1BT		\$33.80	\$21.42											
		Physical Collocation - Security Escort - Overtime, per Half Hour			CLO	PE1OT		\$44.03	\$27.67											
		Physical Collocation - Security Escort - Premium, per Half Hour			CLO	PE1PT		\$54.26	\$33.92											
ADJACENT COLLOCATION																				
		Adjacent Collocation - Space Charge per Sq. Ft.			CLO	PE1JA	\$0.080													
		Adjacent Collocation - Electrical Facility Charge per Linear Ft.			CLO	PE1JC	\$6.25													
		Adjacent Collocation - 2-Wire Cross-Connects			CLO	PE1P2	\$0.038	\$33.65	\$31.77											
		Adjacent Collocation - 4-Wire Cross-Connects			UEA,UHL,UDL, UCL,CLO	PE1P4	\$0.076	\$33.46	\$31.52											
		Adjacent Collocation - DS1 Cross-Connects			USL,CLO	PE1P1	\$1.3	\$52.73	\$39.7											
		Adjacent Collocation - DS3 Cross-Connects			CLO	PE1P3	\$16.55	\$51.78	\$38.43											
		Adjacent Collocation - 2-Fiber Cross-Connect			CLO	PE1F2	\$3.28	\$51.78	\$38.43											
		Adjacent Collocation - 4-Fiber Cross-Connect			CLO	PE1F4	\$5.83	\$64.27	\$50.91											
		Adjacent Collocation - Application Fee			CLO	PE1JB		\$2,659.00												
		Adjacent Collocation - 120V, Single Phase Standby Power Rate per AC Breaker Amp			CLO	PE1FB	\$5.61													
		Adjacent Collocation - 240V, Single Phase Standby Power Rate per AC Breaker Amp			CLO	PE1FD	\$11.23													
		Adjacent Collocation - 120V, Three Phase Standby Power Rate per AC Breaker Amp			CLO	PE1FE	\$16.84													
		Adjacent Collocation - 277V, Three Phase Standby Power Rate per AC Breaker Amp			CLO	PE1FG	\$38.89													
PHYSICAL COLLOCATION IN THE REMOTE SITE																				
		Physical Collocation in the Remote Site - Application Fee *			CLO	PE1RA		\$868.60	\$868.60											
		Cabinet Space in the Remote Site per Bay/ Rack *			CLO	PE1RB	\$241.11													
		Physical Collocation in the Remote Site - Security Access - Key *			CLO	PE1RD	\$26.16	\$26.16												
		Physical Collocation in the Remote Site - Space Availability Report per Premises Requested *			CLO	PE1SR	\$231.43	\$231.43												
		Physical Collocation in the Remote Site - Remote Site CLLI Code Request, per CLLI Code Requested *			CLO	PE1RE	\$75.01	\$75.01												
* Interim rates which are subject to true-up.																				
NOTE: If Security Escort and/or Add'l Engineering Fees become necessary for remote site collocation, the Parties will negotiate appropriate rates.																				

BELLSOUTH / METROMEDIA FIBER NETWORK SERVICES RATES

Collocation
North Carolina

CATEGORY	NOTE	RATE ELEMENT	Interim Indicator	Zone	BCS	USOC	RATES				OSS RATES							
							Rec	Nonrecurring		Nonrecurring Disconnect		SOME C	SOMAN	SOMAN	SOMAN	SOMAN	SOMAN	SOMAN
								First	Add'l	First	Add'l							
PHYSICAL COLLOCATION																		
		Physical Collocation - Application Fee - Initial	I		CLO	PE1BA		\$3,850.00		\$3,850.00								
		Physical Collocation - Application Fee - Subsequent			CLO	PE1CA		\$3,119.00		\$3,119.00								
		Physical Collocation - Space Preparation - C.O. Modification per square ft.	I		CLO	PE1SK	\$1.57											
		Physical Collocation - Space Preparation - Common Systems Modification per square ft. - Cageless	I		CLO	PE1SL	\$3.26											
		Physical Collocation - Space Preparation - Common Systems Modification per Cage	I		CLO	PE1SM	\$110.79											
		Space Preparation Fees - Power Per Nominal -48V Dc Amp	I		CLO	PEIFH	\$5.76											
		Physical Collocation - Cable Installation	I		CLO	PE1BD		\$2,305.00		\$2,305.00								
		Physical Collocation - Floor Space per Sq. Ft.	I		CLO	PE1PJ	\$3.45											
		Physical Collocation - Cable Support Structure	I		CLO	PE1PM	\$21.33											
		Physical Collocation - Power per Fused Amp	I		CLO	PE1PL	\$6.65											
		Physical Collocation - 120V, Single Phase Standby Power Rate	I		CLO	PE1FB	\$5.50											
		Physical Collocation - 240V, Single Phase Standby Power Rate	I		CLO	PE1FD	\$11.01											
		Physical Collocation - 120V, Three Phase Standby Power Rate	I		CLO	PE1FE	\$16.51											
		Physical Collocation - 277V, Three Phase Standby Power Rate	I		CLO	PE1FG	\$38.12											
		Physical Collocation - 2-Wire Cross-Connects	I		UEANL,UEA,U DN,UCC,UAL,U HL,UCL,UEQ	PE1P2	\$0.32	\$41.78		\$39.23								
		Physical Collocation - 4-Wire Cross-Connects	I		CLO	PE1P4	\$0.64	\$41.91		\$39.25								
		Physical Collocation - DS1 Cross-Connects	I		CLO	PE1P1	\$2.34	\$71.02		\$51.08								
		Physical Collocation - DS3 Cross-Connects	I		CLO	PE1P3	\$42.84	\$69.84		\$49.43								
		Physical Collocation - 2-Fiber Cross-Connect	I		CLO	PE1F2	\$2.94	\$51.97		\$38.59								
		Physical Collocation - 4-Fiber Cross-Connect	I		CLO	PE1F4	\$5.62	\$64.53		\$51.15								
		Physical Collocation - Welded Wire Cage - First 100 Sq. Ft.	I		CLO	PE1BW	\$102.76											
		Physical Collocation - Welded Wire Cage - Add'l 50 Sq. Ft.	I		CLO	PE1CW	\$10.44											
		Physical Collocation - Security Access System - Security System per Central Office	I		CLO	PE1AX	\$41.03											
		Physical Collocation - Security Access System - New Access Card Activation, per Card	I		CLO	PE1A1	\$0.062	\$55.30		\$55.30								
		Physical Collocation-Security Access System-Administrative Change, existing Access Card, per Card	I		CLO	PE1AA	\$15.51		\$15.51									
		Physical Collocation - Security Access System - Replace Lost or Stolen Card, per Card			CLO	PE1AR	\$45.34		\$45.34									
		Physical Collocation - Security Access - Initial Key, per Key			CLO	PE1AK	\$26.18		\$26.18									
		Physical Collocation - Security Access - Key, Replace Lost or Stolen Key, per Key			CLO	PE1AL	\$26.18		\$26.18									
		Physical Collocation - Space Availability Report per premises	I		CLO	PE1SR	\$2,140.00		\$2,140.00									
		POT Bay Arrangements prior to 6/1/99 - 2-Wire Cross-Connect, per cross-connect			UEANL,CLO	PE1PE	\$0.10											
		POT Bay Arrangements prior to 6/1/99 - 4-Wire Cross-Connect, per cross-connect			CLO	PE1PF	\$0.19											
		POT Bay Arrangements prior to 6/1/99 - DS1 Cross-Connect, per cross-connect			CLO	PE1PG	\$0.79											
		POT Bay Arrangements prior to 6/1/99 - DS3 Cross-Connect, per cross-connect			CLO	PE1PH	\$4.85											
		POT Bay Arrangements prior to 6/1/99 - 2-Fiber Cross-Connect, per cross-connect			CLO	PE1B2	\$45.30											
		POT Bay Arrangements prior to 6/1/99 - 4-Fiber Cross-Connect, per cross-connect			CLO	PE1B4	\$61.09											
		Collocation Cable Records - per request *			CLO	PE1CR		\$1,707.00		\$1,165.00								
		Collocation Cable Records - VG/DS0 Cable, per cable record *			CLO	PR1CD		\$923.08		\$923.08								
		Collocation Cable Records - VG/DS0 Cable, per each 100 pair *			CLO	PE1CO		\$18.02		\$18.02								
		Collocation Cable Records - DS1, per T1TIE *			CLO	PE1C1		\$8.43		\$8.43								
		Collocation Cable Records - DS3, per T3TIE *			CLO	PE1C3		\$29.51		\$29.51								

BELLSOUTH / METROMEDIA FIBER NETWORK SERVICES RATES
Collocation
North Carolina

CATEGORY	NOTE	RATE ELEMENT	Interim Indicator	Zone	BCS	USOC	RATES				OSS RATES									
							Rec	Nonrecurring		Nonrecurring Disconnect		Svc Order Submitted Elec per LSR	Svc Order Submitted Manually per LSR	Incremental Charge - Manual Svc Order vs. Electronic-1st	Incremental Charge - Manual Svc Order vs. Electronic-Add'l	Incremental Charge - Manual Svc Order vs. Electronic-Disc 1st	Incremental Charge - Manual Svc Order vs. Electronic-Disc Add'l			
								First	Add'l	First	Add'l							SOME C	SOMAN	SOMAN
		Collocation Cable Records - Fiber Cable, per cable record *			CLO	PE1CB		\$278.82	\$278.82											
		Physical Collocation - Security Escort - Basic, per Half Hour			CLO	PE1BT		\$42.92	\$25.56											
		Physical Collocation - Security Escort - Overtime, per Half Hour			CLO	PE1OT		\$54.51	\$32.44											
		Physical Collocation - Security Escort - Premium, per Half Hour			CLO	PE1PT		\$66.10	\$39.32											
ADJACENT COLLOCATION																				
		Adjacent Collocation - Space Charge per Sq. Ft.			CLO	PE1JA	\$0.179													
		Adjacent Collocation - Electrical Facility Charge per Linear Ft.			CLO	PE1JC	\$5.96													
		Adjacent Collocation - 2-Wire Cross-Connects			CLO	PE1P2	\$0.32	\$41.78	\$39.23											
		Adjacent Collocation - 4-Wire Cross-Connects			UEA,UHL,UDL, UCL,CLO	PE1P4	\$0.64	\$41.91	\$39.25											
		Adjacent Collocation - DS1 Cross-Connects			USL,CLO	PE1P1	\$2.34	\$71.02	\$51.08											
		Adjacent Collocation - DS3 Cross-Connects			CLO	PE1P3	\$42.84	\$69.84	\$49.43											
		Adjacent Collocation - 2-Fiber Cross-Connect			CLO	PE1F2	\$2.94	\$51.97	\$38.59											
		Adjacent Collocation - 4-Fiber Cross-Connect			CLO	PE1F4	\$5.62	\$64.53	\$51.15											
		Adjacent Collocation - Application Fee			CLO	PE1JB		\$3,153.00												
		Adjacent Collocation - 120V, Single Phase Standby Power Rate per AC Breaker Amp			CLO	PE1FB	\$5.5													
		Adjacent Collocation - 240V, Single Phase Standby Power Rate per AC Breaker Amp			CLO	PE1FD	\$11.01													
		Adjacent Collocation - 120V, Three Phase Standby Power Rate per AC Breaker Amp			CLO	PE1FE	\$16.51													
		Adjacent Collocation - 277V, Three Phase Standby Power Rate per AC Breaker Amp			CLO	PE1FG	\$38.12													
PHYSICAL COLLOCATION IN THE REMOTE SITE																				
		Physical Collocation in the Remote Site - Application Fee *			CLO	PE1RA		\$865.34	\$865.34											
		Cabinet Space in the Remote Site per Bay/ Rack *			CLO	PE1RB	\$254.02													
		Physical Collocation in the Remote Site - Security Access - Key *			CLO	PE1RD	\$26.06	\$26.06												
		Physical Collocation in the Remote Site - Space Availability Report per Premises Requested *			CLO	PE1SR	\$230.60	\$230.60												
		Physical Collocation in the Remote Site - Remote Site CLLI Code Request, per CLLI Code Requested *			CLO	PE1RE	\$74.74	\$74.74												
		* Interim rates which are subject to true-up.																		
		NOTE: If Security Escort and/or Add'l Engineering Fees become necessary for remote site collocation, the Parties will negotiate appropriate rates.																		

BELLSOUTH / METROMEDIA FIBER NETWORK SERVICES RATES

Collocation
South Carolina

CATEGORY	NOTE	RATE ELEMENT	Interim Indicator	Zone	BCS	USOC	RATES				OSS RATES									
							Rec	Nonrecurring		Nonrecurring		SOME C	SOMAN	SOMAN	SOMAN	SOMAN	SOMAN	SOMAN		
								First	Add'l	First	Add'l									
								Disconnect		Disconnect										
PHYSICAL COLLOCATION		Physical Collocation - Application Fee - Initial			CLO	PE1BA		\$3,768.00		\$3,768.00										
		Physical Collocation - Application Fee - Subsequent			CLO	PE1CA		\$3,141.00		\$3,141.00										
		Physical Collocation - Space Preparation - Firm Order Processing	I		CLO	PE1SJ		\$1,204.00		\$1,204.00										
		Physical Collocation - Space Preparation - C.O. Modification per square ft.	I		CLO	PE1SK		\$2.75												
		Physical Collocation - Space Preparation - Common Systems Modification per square ft. - Cageless	I		CLO	PE1SL		\$3.24												
		Physical Collocation - Space Preparation - Common Systems Modification per Cage	I		CLO	PE1SM		\$110.17												
		Physical Collocation - Cable Installation			CLO	PE1BD		\$1,621.00		\$1,621.00										
		Physical Collocation - Floor Space per Sq. Ft.			CLO	PE1PJ		\$3.95												
		Physical Collocation - Cable Support Structure			CLO	PE1PM		\$21.33												
		Physical Collocation - Power per Fused Amp	I		CLO	PE1PL		\$9.19												
		Physical Collocation - 120V, Single Phase Standby Power Rate	I		CLO	PE1FB		\$5.67												
		Physical Collocation - 240V, Single Phase Standby Power Rate	I		CLO	PE1FD		\$11.36												
		Physical Collocation - 120V, Three Phase Standby Power Rate	I		CLO	PE1FE		\$17.03												
		Physical Collocation - 277V, Three Phase Standby Power Rate	I		CLO	PE1FG		\$39.33												
		Physical Collocation - 2-Wire Cross-Connects			UEANL,UEA,UDN,UCC,UAL,UHL,UCL,UEQ	PE1P2		\$0.034	\$33.75		\$31.86									
		Physical Collocation - 4-Wire Cross-Connects			CLO	PE1P4		\$0.068	\$33.71		\$31.75									
		Physical Collocation - DS1 Cross-Connects			CLO	PE1P1		\$1.12	\$53.05		\$39.96									
		Physical Collocation - DS3 Cross-Connects			CLO	PE1P3		\$14.21	\$52.11		\$38.68									
		Physical Collocation - 2-Fiber Cross-Connect			CLO	PE1F2		\$2.82	\$52.11		\$38.69									
		Physical Collocation - 4-Fiber Cross-Connect			CLO	PE1F4		\$5.01	\$64.69		\$51.26									
		Physical Collocation - Welded Wire Cage - First 100 Sq. Ft.			CLO	PE1BW		\$219.19												
		Physical Collocation - Welded Wire Cage - Add'l 50 Sq. Ft.			CLO	PE1CW		\$21.50												
		Physical Collocation - Security Access System - Security System per Central Office	I		CLO	PE1AX		\$74.12												
		Physical Collocation - Security Access System - New Access Card Activation, per Card	I		CLO	PE1A1		\$0.06	\$55.70		\$55.70									
		Physical Collocation-Security Access System-Administrative Change, existing Access Card, per Card	I		CLO	PE1AA		\$15.62		\$15.62										
		Physical Collocation - Security Access System - Replace Lost or Stolen Card, per Card			CLO	PE1AR		\$45.66		\$45.66										
		Physical Collocation - Security Access - Initial Key, per Key			CLO	PE1AK		\$26.25		\$26.25										
		Physical Collocation - Security Access - Key, Replace Lost or Stolen Key, per Key			CLO	PE1AL		\$26.25		\$26.25										
		Physical Collocation - Space Availability Report per premises	I		CLO	PE1SR		\$2,155.00		\$2,155.00										
		POT Bay Arrangements prior to 6/1/99 - 2-Wire Cross-Connect, per cross-connect			UEANL,CLO	PE1PE		\$0.1091												
		POT Bay Arrangements prior to 6/1/99 - 4-Wire Cross-Connect, per cross-connect			CLO	PE1PF		\$0.2181												
		POT Bay Arrangements prior to 6/1/99 - DS1 Cross-Connect, per cross-connect			CLO	PE1PG		\$0.9004												
		POT Bay Arrangements prior to 6/1/99 - DS3 Cross-Connect, per cross-connect			CLO	PE1PH		\$5.64												
		POT Bay Arrangements prior to 6/1/99 - 2-Fiber Cross-Connect, per cross-connect			CLO	PE1B2		\$37.36												
		POT Bay Arrangements prior to 6/1/99 - 4-Fiber Cross-Connect, per cross-connect			CLO	PE1B4		\$50.38												
		Collocation Cable Records - per request *			CLO	PE1CR		\$1,712.00		\$1,168.00										
		Collocation Cable Records - VG/DS0 Cable, per cable record *			CLO	PR1CD		\$925.57		\$925.57										
		Collocation Cable Records - VG/DS0 Cable, per each 100 pair *			CLO	PE1CO		\$18.06		\$18.06										
		Collocation Cable Records - DS1, per T1TIE *			CLO	PE1C1		\$8.45		\$8.45										
		Collocation Cable Records - DS3, per T3TIE *			CLO	PE1C3		\$29.59		\$29.59										

BELLSOUTH / METROMEDIA FIBER NETWORK SERVICES RATES

Collocation
South Carolina

CATEGORY	NOTE	RATE ELEMENT	Interim Indicator	Zone	BCS	USOC	RATES				OSS RATES								
							Rec	Nonrecurring		Disconnect		SOME C	SOMAN	SOMAN	SOMAN	SOMAN	SOMAN	SOMAN	
								First	Add'l	First	Add'l								
								Nonrecurring											Disconnect
		Collocation - Cable Records - Fiber Cable, per cable record *			CLO	PE1CB		\$279.57	\$279.57										
		Physical Collocation - Security Escort - Basic, per Half Hour			CLO	PE1BT		\$33.92	\$21.50										
		Physical Collocation - Security Escort - Overtime, per Half Hour			CLO	PE1OT		\$44.19	\$27.77										
		Physical Collocation - Security Escort - Premium, per Half Hour			CLO	PE1PT		\$54.45	\$34.04										
ADJACENT COLLOCATION																			
		Adjacent Collocation - Space Charge per Sq. Ft.			CLO	PE1JA	\$0.094												
		Adjacent Collocation - Electrical Facility Charge per Linear Ft.			CLO	PE1JC	\$6.40												
		Adjacent Collocation - 2-Wire Cross-Connects			CLO	PE1P2	\$0.034	\$33.75	\$31.86										
		Adjacent Collocation - 4-Wire Cross-Connects			UEA,UHL,UDL, UCL,CLO	PE1P4	\$0.068	\$33.71	\$31.75										
		Adjacent Collocation - DS1 Cross-Connects			USL,CLO	PE1P1	\$1.12	\$53.05	\$39.96										
		Adjacent Collocation - DS3 Cross-Connects			CLO	PE1P3	\$14.21	\$52.11	\$38.68										
		Adjacent Collocation - 2-Fiber Cross-Connect			CLO	PE1F2	\$2.82	\$52.11	\$38.69										
		Adjacent Collocation - 4-Fiber Cross-Connect			CLO	PE1F4	\$5.01	\$64.69	\$51.26										
		Adjacent Collocation - Application Fee			CLO	PE1JB		\$3,161.00											
		Adjacent Collocation - 120V, Single Phase Standby Power Rate per AC Breaker Amp			CLO	PE1FB	\$5.67												
		Adjacent Collocation - 240V, Single Phase Standby Power Rate per AC Breaker Amp			CLO	PE1FD	\$11.36												
		Adjacent Collocation - 120V, Three Phase Standby Power Rate per AC Breaker Amp			CLO	PE1FE	\$17.03												
		Adjacent Collocation - 277V, Three Phase Standby Power Rate per AC Breaker Amp			CLO	PE1FG	\$39.33												
PHYSICAL COLLOCATION IN THE REMOTE SITE																			
		Physical Collocation in the Remote Site - Application Fee *			CLO	PE1RA		\$871.12	\$871.12										
		Cabinet Space in the Remote Site per Bay/ Rack *			CLO	PE1RB	\$246.44												
		Physical Collocation in the Remote Site - Security Access - Key *			CLO	PE1RD	\$26.25	\$26.25											
		Physical Collocation in the Remote Site - Space Availability Report per Premises Requested *			CLO	PE1SR	\$232.25	\$232.25											
		Physical Collocation in the Remote Site - Remote Site CLLI Code Request, per CLLI Code Requested *			CLO	PE1RE	\$75.27	\$75.27											
* Interim rates which are subject to true-up.																			
NOTE: If Security Escort and/or Add'l Engineering Fees become necessary for remote site collocation, the Parties will negotiate appropriate rates.																			

BELLSOUTH / METROMEDIA FIBER NETWORK SERVICES RATES

Collocation
Tennessee

CATEGORY	NOTE	RATE ELEMENT	Interim Indicator	Zone	BCS	USOC	RATES				OSS RATES							
							Rec	Nonrecurrent		Nonrecurrent Disconnect		SOME C	SOMAN	SOMAN	SOMAN	SOMAN	SOMAN	SOMAN
								First	Add'l	First	Add'l							
								Nonrecurrent										
PHYSICAL COLLOCATION																		
		Physical Collocation - Application Fee - Initial			CLO	PE1BA												
		Physical Collocation - Application Fee - Subsequent			CLO	PE1CA	\$3,767.00			\$3,767.00								
		Physical Collocation - Space Preparation - Firm Order Processing			CLO	PE1SJ	\$3,140.00			\$3,140.00								
		Physical Collocation - Space Preparation - C.O. Modification per square ft.	I		CLO	PE1SK	\$1,204.00			\$1,204.00								
		Physical Collocation - Space Preparation - Common Systems Modification per square ft. - Cageless	I		CLO	PE1SL	\$2.74											
		Physical Collocation - Space Preparation - Common Systems Modification per Cage	I		CLO	PE1SM	\$2.95											
		Physical Collocation - Cable Installation			CLO	PE1BD	\$100.14											
		Physical Collocation - Floor Space per Sq. Ft.			CLO	PE1PJ	\$1,757.00			\$1,757.00								
		Physical Collocation - Cable Support Structure			CLO	PE1PM	\$6.75											
		Physical Collocation - Power per Fused Amp	I		CLO	PE1PL	\$19.80											
		Physical Collocation - 120V, Single Phase Standby Power Rate	I		CLO	PE1FB	\$8.87											
		Physical Collocation - 240V, Single Phase Standby Power Rate	I		CLO	PE1FD	\$5.60											
		Physical Collocation - 120V, Three Phase Standby Power Rate	I		CLO	PE1FE	\$11.22											
		Physical Collocation - 277V, Three Phase Standby Power Rate	I		CLO	PE1FG	\$16.82											
		Physical Collocation - 2-Wire Cross-Connects			UEANL,UEA,U DN,UCC,UAL,U HL,UCL,UEQ	PE1P2	\$38.84											
		Physical Collocation - 4-Wire Cross-Connects			CLO	PE1P4	\$0.033	\$33.82			\$31.92							
		Physical Collocation - DS1 Cross-Connects			CLO	PE1P1	\$0.066	\$33.94			\$31.95							
		Physical Collocation - DS3 Cross-Connects			CLO	PE1P3	\$1.51	\$53.27			\$40.16							
		Physical Collocation - 2-Fiber Cross-Connect			CLO	PE1F2	\$19.26	\$52.37			\$38.89							
		Physical Collocation - 4-Fiber Cross-Connect			CLO	PE1F4	\$3.82	\$52.37			\$38.89							
		Physical Collocation - Welded Wire Cage - First 100 Sq. Ft.			CLO	PE1BW	\$6.79	\$65.03			\$51.55							
		Physical Collocation - Welded Wire Cage - Add'l 50 Sq. Ft.			CLO	PE1CW	\$218.53											
		Physical Collocation - Security Access System - Security System per Central Office			CLO	PE1AX	\$21.44											
		Physical Collocation - Security Access System - New Access Card Activation, per Card			CLO	PE1A1	\$55.99											
		Physical Collocation-Security Access System-Administrative Change, existing Access Card, per Card			CLO	PE1AA	\$0.059	\$55.67			\$55.67							
		Physical Collocation - Security Access System - Replace Lost or Stolen Card, per Card			CLO	PE1AR	\$15.61			\$15.61								
		Physical Collocation - Security Access - Initial Key, per Key			CLO	PE1AK	\$45.64			\$45.64								
		Physical Collocation - Security Access - Key, Replace Lost or Stolen Key, per Key			CLO	PE1AL	\$26.24			\$26.24								
		Physical Collocation - Space Availability Report per premises	I		CLO	PE1SR	\$26.24			\$26.24								
		POT Bay Arrangements prior to 6/1/99 - 2-Wire Cross-Connect, per cross-connect			UEANL,CLO	PE1PE	\$2,154.00			\$2,154.00								
		POT Bay Arrangements prior to 6/1/99 - 4-Wire Cross-Connect, per cross-connect			CLO	PE1PF	\$0.40											
		POT Bay Arrangements prior to 6/1/99 - DS1 Cross-Connect, per cross-connect			CLO	PE1PG	\$1.20											
		POT Bay Arrangements prior to 6/1/99 - DS3 Cross-Connect, per cross-connect			CLO	PE1PH	\$1.20											
		POT Bay Arrangements prior to 6/1/99 - 2-Fiber Cross-Connect, per cross-connect			CLO	PE1B2	\$8.00											
		POT Bay Arrangements prior to 6/1/99 - 4-Fiber Cross-Connect, per cross-connect			CLO	PE1B4	\$38.79			\$38.79								
		Collocation Cable Records - per request *			CLO	PE1CR	\$52.31											
		Collocation Cable Records - VG/DS0 Cable, per cable record *			CLO	PR1CD	\$1,711.00			\$1,168.00								
		Collocation Cable Records - VG/DS0 Cable, per each 100 pair *			CLO	PE1CO	\$925.06			\$925.06								
		Collocation Cable Records - DS1, per T1TIE *			CLO	PE1C1	\$18.05			\$18.05								
		Collocation Cable Records - DS3, per T3TIE *			CLO	PE1C3	\$8.45			\$8.45								
					CLO		\$29.57			\$29.57								

BELLSOUTH / METROMEDIA FIBER NETWORK SERVICES RATES

Collocation
Tennessee

CATEGORY	NOTE	RATE ELEMENT	Interim Indicator	Zone	BCS	USOC	RATES				OSS RATES								
							Rec	Nonrecurring		Disconnect		SOME C	SOMAN	SOMAN	SOMAN	SOMAN	SOMAN		
								First	Add'l	First	Add'l								
		Collocation - Cable Records - Fiber Cable, per cable record *			CLO	PE1CB		\$279.42	\$279.42										
		Physical Collocation - Security Escort - Basic, per Half Hour			CLO	PE1BT		\$33.91	\$21.49										
		Physical Collocation - Security Escort - Overtime, per Half Hour			CLO	PE1OT		\$44.17	\$27.76										
		Physical Collocation - Security Escort - Premium, per Half Hour			CLO	PE1PT		\$54.42	\$34.02										
ADJACENT COLLOCATION																			
		Adjacent Collocation - Space Charge per Sq. Ft.			CLO	PE1JA	\$0.069												
		Adjacent Collocation - Electrical Facility Charge per Linear Ft.			CLO	PE1JC	\$6.06												
		Adjacent Collocation - 2-Wire Cross-Connects			CLO	PE1P2	\$0.033	\$33.82	\$31.92										
		Adjacent Collocation - 4-Wire Cross-Connects			UEA,UHL,UDL, UCL,CLO	PE1P4	\$0.066	\$33.94	\$31.95										
		Adjacent Collocation - DS1 Cross-Connects			USL,CLO	PE1P1	\$1.51	\$53.27	\$40.16										
		Adjacent Collocation - DS3 Cross-Connects			CLO	PE1P3	\$19.26	\$52.37	\$38.89										
		Adjacent Collocation - 2-Fiber Cross-Connect			CLO	PE1F2	\$3.82	\$52.37	\$38.89										
		Adjacent Collocation - 4-Fiber Cross-Connect			CLO	PE1F4	\$6.79	\$65.03	\$51.55										
		Adjacent Collocation - Application Fee			CLO	PE1JB		\$3,160.00											
		Adjacent Collocation - 120V, Single Phase Standby Power Rate per AC Breaker Amp			CLO	PE1FB	\$5.6												
		Adjacent Collocation - 240V, Single Phase Standby Power Rate per AC Breaker Amp			CLO	PE1FD	\$11.22												
		Adjacent Collocation - 120V, Three Phase Standby Power Rate per AC Breaker Amp			CLO	PE1FE	\$16.82												
		Adjacent Collocation - 277V, Three Phase Standby Power Rate per AC Breaker Amp			CLO	PE1FG	\$38.84												
PHYSICAL COLLOCATION IN THE REMOTE SITE																			
		Physical Collocation in the Remote Site - Application Fee *			CLO	PE1RA		\$872.95	\$872.95										
		Cabinet Space in the Remote Site per Bay/ Rack *			CLO	PE1RB	\$219.37												
		Physical Collocation in the Remote Site - Security Access - Key *			CLO	PE1RD	\$26.23	\$26.23											
		Physical Collocation in the Remote Site - Space Availability Report per Premises Requested *			CLO	PE1SR	\$232.12	\$232.12											
		Physical Collocation in the Remote Site - Remote Site CLLI Code Request, per CLLI Code Requested *			CLO	PE1RE	\$75.23	\$75.23											
		* Interim rates which are subject to true-up.																	
NOTE: If Security Escort and/or Add'l Engineering Fees become necessary for remote site collocation, the Parties will negotiate appropriate rates.																			

ATTACHMENT 5
ACCESS TO NUMBERS AND NUMBER PORTABILITY

TABLE OF CONTENTS

1. NON-DISCRIMINATORY ACCESS TO TELEPHONE NUMBERS	3
2. NUMBER PORTABILITY PERMANENT SOLUTION.....	3
3. SERVICE PROVIDER NUMBER PORTABILITY.....	4
4. SPNP IMPLEMENTATION	5
5. OPERATIONAL SUPPORT SYSTEM (OSS) RATES	12
Rates.....	Exhibit A

ACCESS TO NUMBERS AND NUMBER PORTABILITY

1. NON-DISCRIMINATORY ACCESS TO TELEPHONE NUMBERS

- 1.1 During the term of this Agreement, where <<customer_name>> is utilizing its own switch, <<customer_name>> shall contact the North American Numbering Plan Administrator, Neustar, for the assignment of numbering resources. In order to be assigned a Central Office Code, <<customer_name>> will be required to complete the Central Office Code (NXX) Assignment Request and Confirmation Form (Code Request Form) in accordance with Industry Numbering Committee's Central Office Code (NXX) Assignment Guidelines (INC 95-0407-008).
- 1.2 Where BellSouth is providing local switching, <<customer_name>> may utilize BellSouth's telephone numbers. BellSouth will provide <<customer_name>> with on line access to telephone numbers on a first come first served basis. Assignment, reservation and use of telephone numbers shall be governed by applicable FCC rules and regulations.
- 1.3 <<customer_name>> acknowledges that there may be instances where there is a shortage of telephone numbers in a particular Common Language Location Identifier Code (CLLIC); and in such instances, <<customer_name>> shall return numbers to BellSouth upon BellSouth's request. BellSouth shall make all such requests on a nondiscriminatory basis.

2. NUMBER PORTABILITY PERMANENT SOLUTION

- 2.1 The Parties will offer local number portability in accordance with rules, regulations and guidelines adopted by the Commission, the FCC and industry fora. Interim Service Provider Number Portability (SPNP) will be available only in those end offices where no carrier has requested implementation of permanent local number portability (PNP). Once PNP is implemented in an end office pursuant to the request of a carrier, both Parties must withdraw their SPNP offerings. The transition from existing SPNP arrangements to PNP shall occur within ninety (90) days from the date PNP is implemented in the end office. Neither Party shall charge the other Party for conversion from SPNP to PNP.
- 2.2 End User Line Charge. Where <<customer_name>> subscribes to BellSouth's local switching, BellSouth shall bill and <<customer_name>> shall pay the end user line charge associated with implementing PNP as set forth in BellSouth's FCC Tariff No. 1. This charge is not subject to the resale discount set forth in Attachment 1 of this Agreement.
- 2.3 To limit service outage, BellSouth and <<customer_name>> will adhere to the process flows and cutover guidelines for porting numbers as outlined in the LNP

Reference Guide, as amended from time to time. The LNP Reference Guide, incorporated herein by reference, is accessible via the Internet at the following site: <http://www.interconnection.bellsouth.com>. All intervals referenced in the LNP Reference Guide shall apply to both BellSouth and <<customer_name>>.

- 2.4 The Parties will set Local Routing Number (LRN) unconditional or 10-digit triggers where applicable. Where triggers are set, the porting Party will remove the ported number at the same time the trigger is removed.
- 2.5 A trigger order is a service order issued in advance of the porting of a number. A trigger order 1) initiates call queries to the AIN SS7 network in advance of the number being ported; and 2) provides for the new service provider to be in control of when a number ports.
- 2.6 Where triggers are not set, the Parties shall coordinate the porting of the number between service providers so as to minimize service interruptions to the end user.
- 2.7 BellSouth and <<customer_name>> will work cooperatively to implement changes to PNP process flows ordered by the FCC or as recommended by standard industry forums addressing PNP.

3. SERVICE PROVIDER NUMBER PORTABILITY

- 3.1 Where PNP has not been implemented in an end office, the Parties shall provide SPNP. SPNP is a service arrangement whereby an end user who switches subscription of his local exchange service from BellSouth to a CLEC, or vice versa, is permitted to retain the use of his existing assigned telephone number, provided that the end user remains at the same location for his local exchange service or changes locations and service providers but stays within the same BellSouth local calling area of his existing number. Except as otherwise expressly provided herein, SPNP is available only where the local exchange carrier is currently providing basic local exchange service to the end user. SPNP for a particular assigned telephone number will be disconnected when any end user, Commission, BellSouth, or CLEC initiated activity (e.g., a change in exchange boundaries) would normally result in a telephone number change had the end user retained his initial local exchange service.
- 3.2 Methods of Providing SPNP. SPNP is available through either remote call forwarding or direct inward dialing trunks. Remote call forwarding (SPNP-RCF) is an existing switch-based service that redirects calls within the telephone network. Direct inward dialing trunks (SPNP-DID) allow calls to be routed over a dedicated facility to the switch that serves the subscriber.
- 3.3 Signaling Requirements. SS7 Signaling is required for the provision of SPNP services.
- 3.4 Rates

- 3.4.1 Rates for SPNP are set out in Exhibit A to this Attachment. If no rate is identified in the Attachment, the rate for the specific service or function will be as set forth in applicable BellSouth tariff or as negotiated by the Parties upon request by either Party.

4. SPNP IMPLEMENTATION

- 4.1 SPNP-RCF is a telecommunications service whereby a call dialed to an SPNP-RCF equipped telephone number is automatically forwarded to an assigned seven- or ten- digit telephone number within the local calling area as defined in BellSouth's General Subscriber Services Tariff. The forwarded-to number shall be specified by <<customer_name>> or BellSouth, as appropriate. The forwarding Party will provide identification of the originating telephone number, via SS7 signaling, to the receiving Party. Identification of the originating telephone number to the SPNP-RCF end user cannot be guaranteed, however. SPNP-RCF provides a single call path for the forwarding of no more than one call to the receiving Party's specified forwarded-to number. Additional call paths for the forwarding of multiple simultaneous calls are available on a per path basis at rates as outlined in this Attachment.

- 4.2 SPNP-DID service provides trunk side access to end office switches for direct inward dialing to the other Party's premises equipment from the telecommunications network to lines associated with the other Party's switching equipment and must be provided on all trunks in a group arranged for inward service. SPNP-DID is available from BellSouth on a per DS0, DS1 or DS3 basis. A SPNP-DID trunk termination charge, provided with SS7 Signaling only, applies for each trunk voice grade equivalent. In addition, direct facilities are required from the end office where a ported number resides to the end office serving the ported end user customer. The rates for a switched local channel and switched dedicated transport apply as contained in BellSouth's Intrastate Access Services tariff, as amended from time to time. Transport mileage will be calculated as the airline distance between the end office where the number is ported and the Point of Interface ("POI") using the V&H coordinate method. SPNP-DID must be established with a minimum configuration of two channels and one unassigned telephone number per switch, per arrangement for control purposes. Transport facilities arranged for SPNP-DID may not be mixed with any other type of trunk group, with no outgoing calls placed over said facilities. SPNP-DID will be provided only where such facilities are available and where the switching equipment of the ordering Party is properly equipped. Where SPNP-DID service is required from more than one wire center or from separate trunk groups within the same wire center, such service provided from each wire center or each trunk group within the same wire center shall be considered a separate service. Only customer-dialed sent-paid calls will be completed to the first number of a SPNP-DID number group; however, there are no restrictions on calls

completed to other numbers of a SPNP-DID number group. Sent-paid calls refer to those calls placed by an end user who physically deposits currency in a public telephone. Interface group arrangements provided for terminating the switched transport at the Party's terminal location are as set forth in of BellSouth's Intrastate Access Services Tariff, § E6.1.3.A as amended from time to time.

- 4.3 SPNP-DID Service requires ordering consecutive telephone numbers in blocks of twenty. <<customer_name>> may order non-consecutive telephone numbers or telephone numbers in less than blocks of twenty pursuant to BellSouth's tariffs.
- 4.4 The calling Party shall be responsible for payment of the applicable charges for sent-paid calls to the SPNP number. For collect, third-party, or other operator-assisted non-sent paid calls to the ported telephone number, BellSouth or <<customer_name>> shall be responsible for the payment of charges under the same terms and conditions for which the end user would have been liable for those charges. Either Party may request that the other block collect and third party non-sent paid calls to the SPNP-assigned telephone number. If a Party does not request blocking, the other Party will provide itemized local usage detail for the billing of non-sent paid calls on the monthly bill of usage charges provided at the individual end user account level. The detail will include itemization of all billable usage. Each Party shall have the option of receiving this usage data on a daily basis via a data file transfer arrangement. This arrangement will utilize the existing industry uniform standard, known as EMI standards, for exchange of billing data. Files of usage data will be created daily for the optional service. Usage originated and recorded in the sending BellSouth RAO will be provided in unrated or rated format, depending on processing system. <<customer_name>> usage originated elsewhere and delivered via CMDS to the sending BellSouth RAO shall be provided in rated format.
- 4.5 The new service provider shall be responsible for obtaining authorization from the end user for the handling of the disconnection of the end user's service, the provision of new local service and the provision of SPNP services. Each Party shall be responsible for coordinating the provision of service with the other to assure that its switch is capable of accepting SPNP ported traffic. Each Party shall be solely responsible to ensure that its facilities, equipment and services do not interfere with or impair any facility, equipment, or service of the other Party or any of its end users. In the event that either Party determines in its reasonable judgment that the other Party will likely impair or is impairing, or interfering with any equipment, facility or service or any of its end users, that Party may either refuse to provide SPNP service or may terminate SPNP service to the other Party after providing appropriate notice.
- 4.6 Each Party shall be responsible for providing an appropriate intercept announcement service for any telephone numbers subscribed to SPNP-DID services for which it is not presently providing local exchange service or terminating to an end user. Where either Party chooses to disconnect or terminate any SPNP service, that Party shall be responsible for designating the preferred standard type of announcement to be provided.

- 4.7 End-to-end transmission characteristics may vary depending on the distance and routing necessary to complete calls over SPNP facilities and the fact that another carrier is involved in the provisioning of service. Neither Party shall specify end-to-end transmission characteristics for SPNP calls.
- 4.8 Where SPNP-RCF is utilized for SPNP, for terminating IXC traffic ported to either Party which requires use of either Party's tandem switching, the tandem provider will bill the IXC tandem switching, the interconnection charge, and a portion of the transport, and the other Party will bill the IXC local switching, the carrier common line and a portion of the transport. If the tandem provider is unable to provide the necessary access records to permit the other Party to bill the IXC directly for terminating access to ported numbers, then the tandem provider will bill the IXC full terminating switched access charges at the tandem provider's rate and will compensate the other Party at the tandem Party's tariff rates via a process used by BellSouth to estimate the amount of ported switched access revenues due the other Party. If an intraLATA toll call is delivered, the delivering Party will pay terminating access rates to the other Party.

5. OPERATIONAL SUPPORT SYSTEM (OSS) RATES

- 5.1 The terms, conditions and rates for OSS are as set forth in Attachment 2.

**BELLSOUTH / METROMEDIA FIBER NETWORK SERVICES RATES
SERVICE PROVIDER NUMBER PORTABILITY
Alabama**

CATEGORY	NOTES	RATES ELEMENT	Interim Indicator	Zone	BCS	USOC	RATES				OSS RATES					
							Nonrecurring		Nonrecurring		Svc Order Submitted Elec per LSR	Svc Order Submitted Manually per LSR	Incremental Charge - Manual Svc Order vs. Electronic-1st	Incremental Charge - Manual Svc Order vs. Electronic-Add'l	Incremental Charge - Manual Svc Order vs. Electronic-Disc 1st	Incremental Charge - Manual Svc Order vs. Electronic-Disc Add'l
							Rec	First	Add'l	First						
							Disconnect	Disconnect	SOMECS	SOMAN	SOMAN	SOMAN	SOMAN			
INTERIM SERVICE PROVIDER NUMBER PORTABILITY - RCF (1) (2)																
		RCF, per number ported (Business Line), 10 paths				TNPBL										
		RCF, per number ported (Business Line)				TNPBL	\$2.13	\$0.65		\$0.07						
		RCF, per number ported (Residence Line), 6 paths				TNPRL										
		RCF, per number ported (Residence Line)				TNPRL	\$2.13	\$0.65		\$0.07						
		RCF, add'l capacity for simultaneous call forwarding, per additional path					\$0.32									
		RCF, per service order, per location (Business)				TNPBD		\$1.44	\$1.44	\$1.44	\$1.44	\$3.50	\$19.99	\$19.99	\$19.99	\$19.99
		RCF, per service order, per location (Residence)				TNPRD		\$1.44	\$1.44	\$1.44	\$1.44	\$3.50	\$19.99	\$19.99	\$19.99	\$19.99
INTERIM SERVICE PROVIDER NUMBER PORTABILITY - DID																
		DID per number ported (Residence)				TNPDR		\$1.18		\$1.18						
		DID per number ported (Business)				TNPDB		\$1.18		\$1.18						
		DID per service order, per location (Residence)				TNPRD		\$1.44	\$1.44	\$1.44	\$1.44	\$3.50	\$19.99	\$19.99	\$19.99	\$19.99
		DID per service order, per location (Business)				TNPBD		\$1.44	\$1.44	\$1.44	\$1.44	\$3.50	\$19.99	\$19.99	\$19.99	\$19.99
		DID, per trunk termination, Initial				TNPT2	\$11.84	\$173.73		\$50.43	\$3.50	\$19.99	\$19.99	\$19.99	\$19.99	
		DID, per trunk termination, Subsequent				TNPT2	\$11.84	\$51.35		\$25.00	\$3.50	\$19.99	\$19.99	\$19.99	\$19.99	
<p>Note: If no rate is identified in the contract, the rate for the specific service or function will be as set forth in applicable BellSouth tariff or as negotiated by the Parties upon request by either Party.</p>																
<p>1) Until the FCC issues its order implementing a cost recovery mechanism for permanent number portability, the Company will track its costs of providing interim SPNP with sufficient detail to verify the costs. This will facilitate the Florida PSCs consideration of the recovery of these costs in Docket 950737-TP. (FL)</p>																
<p>2) BellSouth and CLEC will each bear their own costs of providing remote call forwarding as an interim number portability option. (KY)</p>																

BELLSOUTH / METROMEDIA FIBER NETWORK SERVICES RATES
 SERVICE PROVIDER NUMBER PORTABILITY
 Alabama

CATEGORY	NOTES	RATES ELEMENT	Interim Indicator	Zone	BCS	USOC	RATES					OSS RATES								
							Rec	Nonrecurring		Nonrecurring Disconnect		Svc Order Submitted Elec per LSR SOMECS	Svc Order Submitted Manually per LSR SOMAN	Incremental Charge - Manual Svc Order vs. Electronic-1st SOMAN	Incremental Charge - Manual Svc Order vs. Electronic-Add'l SOMAN	Incremental Charge - Manual Svc Order vs. Electronic-Disc 1st SOMAN	Incremental Charge - Manual Svc Order vs. Electronic-Disc Add'l SOMAN			
								First	Add'l	First	Add'l									
	Note: If no rate is identified in the contract, the rate for the specific service or function will be as set forth in applicable BellSouth tariff or as negotiated by the Parties upon request by either Party.																			
	1) Until the FCC issues its order implementing a cost recovery mechanism for permanent number portability, the Company will track its costs of providing interim SPNP with sufficient detail to verify the costs. This will facilitate the Florida PSCs consideration of the recovery of these costs in Docket 950737-TP. (FL)																			
	2) BellSouth and CLEC will each bear their own costs of providing remote call forwarding as an interim number portability option. (KY)																			

**BELLSOUTH / METROMEDIA FIBER NETWORK SERVICES RATES
SERVICE PROVIDER NUMBER PORTABILITY
Alabama**

CATEGORY	NOTES	RATES ELEMENT	Interim Indicator	Zone	BCS	USOC	RATES					OSS RATES					
							Nonrecurring		Nonrecurring Disconnect		Svc Order Submitted Elec per LSR	Svc Order Submitted Manually per LSR	Incremental Charge - Manual Svc Order vs. Electronic-1st	Incremental Charge - Manual Svc Order vs. Electronic-Add'l	Incremental Charge - Manual Svc Order vs. Electronic-Disc 1st	Incremental Charge - Manual Svc Order vs. Electronic-Disc Add'l	
							Rec	First	Add'l	First							Add'l
							SOMEc	SOMAN	SOMAN	SOMAN	SOMAN						
INTERIM SERVICE PROVIDER NUMBER PORTABILITY - RCF (1) (2)																	
		RCF, per number ported (Business Line)				TNPBL	\$2.03	\$0.51									
		RCF, per number ported (Residence Line)				TNPRL	\$2.03	\$0.51									
		RCF, add'l capacity for simultaneous call forwarding, per additional path					\$0.2836										
		RCF, per service order, per location (Business)				TNPBD		\$2.10	\$2.10	\$3.50		\$19.99	\$19.99	\$19.99	\$19.99		
		RCF, per service order, per location (Residence)				TNPRD		\$2.10	\$2.10	\$3.50		\$19.99	\$19.99	\$19.99	\$19.99		
INTERIM SERVICE PROVIDER NUMBER PORTABILITY - DID																	
		DID per number ported (Residence)				TNPDR		\$0.93									
		DID per number ported (Business)				TNPDB		\$0.93									
		DID per service order, per location (Residence)				TNPRD		\$2.10	\$2.10								
		DID per service order, per location (Business)				TNPBD		\$2.10	\$2.10	\$3.50		\$19.99	\$19.99	\$19.99	\$19.99		
		DID, per trunk termination, Initial				TNPT2	\$10.73	\$135.47		\$3.50		\$19.99	\$19.99	\$19.99	\$19.99		
		DID, per trunk termination, Subsequent				TNPT2	\$10.73	\$39.53		\$3.50		\$19.99	\$19.99	\$19.99	\$19.99		
Note: If no rate is identified in the contract, the rate for the specific service or function will be as set forth in applicable BellSouth tariff or as negotiated by the Parties upon request by either Party.																	
1) Until the FCC issues its order implementing a cost recovery mechanism for permanent number portability, the Company will track its costs of providing interim SPNP with sufficient detail to verify the costs. This will facilitate the Florida PSCs consideration of the recovery of these costs in Docket 950737-TP. (FL)																	
2) BellSouth and CLEC will each bear their own costs of providing remote call forwarding as an interim number portability option. (KY)																	

BELLSOUTH / METROMEDIA FIBER NETWORK SERVICES RATES
SERVICE PROVIDER NUMBER PORTABILITY
Alabama

CATEGORY	NOTES	RATES ELEMENT	Interim Indicator	Zone	BCS	USOC	RATES				OSS RATES							
							Nonrecurring		Nonrecurring Disconnect		Svc Order Submitted Elec per LSR	Svc Order Submitted Manually per LSR	Incremental Charge - Manual Svc Order vs. Electronic-1st	Incremental Charge - Manual Svc Order vs. Electronic-Add'l	Incremental Charge - Manual Svc Order vs. Electronic-Disc 1st	Incremental Charge - Manual Svc Order vs. Electronic-Disc Add'l		
							Rec	First	Add'l	First							Add'l	SOMEK
	<p>Note: If no rate is identified in the contract, the rate for the specific service or function will be as set forth in applicable BellSouth tariff or as negotiated by the Parties upon request by either Party.</p>																	
	<p>1) Until the FCC issues its order implementing a cost recovery mechanism for permanent number portability, the Company will track its costs of providing interim SPNP with sufficient detail to verify the costs. This will facilitate the Florida PSCs consideration of the recovery of these costs in Docket 950737-TP. (FL)</p>																	
	<p>2) BellSouth and CLEC will each bear their own costs of providing remote call forwarding as an interim number portability option. (KY)</p>																	

**BELLSOUTH / METROMEDIA FIBER NETWORK SERVICES RATES
SERVICE PROVIDER NUMBER PORTABILITY
Alabama**

CATEGORY	NOTES	RATES ELEMENT	Interim Indicator	Zone	BCS	USOC	RATES					OSS RATES					
							Nonrecurring		Nonrecurring Disconnect		Svc Order Submitted Elec per LSR	Svc Order Submitted Manually per LSR	Incremental Charge - Manual Svc Order vs. Electronic-1st	Incremental Charge - Manual Svc Order vs. Electronic-Add'l	Incremental Charge - Manual Svc Order vs. Electronic-Disc 1st	Incremental Charge - Manual Svc Order vs. Electronic-Disc Add'l	
							Rec	First	Add'l	First							Add'l
							SOMEc	SOMAN	SOMAN	SOMAN	SOMAN						
INTERIM SERVICE PROVIDER NUMBER PORTABILITY - RCF (1) (2)																	
		RCF, per number ported (Business Line)				TNPBL	\$2.29	\$0.49		\$0.05							
		RCF, per number ported (Residence Line)				TNPRL	\$2.29	\$0.49		\$0.05							
		RCF, add'l capacity for simultaneous call forwarding, per additional path					\$0.38										
		RCF, per service order, per location (Business)				TNPBD		\$2.02	\$2.02	\$2.01	\$2.01	\$3.50		\$19.99	\$19.99	\$19.99	\$19.99
		RCF, per service order, per location (Residence)				TNPRD		\$2.02	\$2.02	\$2.01	\$2.01	\$3.50		\$19.99	\$19.99	\$19.99	\$19.99
INTERIM SERVICE PROVIDER NUMBER PORTABILITY - DID																	
		DID per number ported (Residence)				TNPDR		\$0.89		\$0.90							
		DID per number ported (Business)				TNPDB		\$0.89		\$0.90							
		DID per service order, per location (Residence)				TNPRD		\$2.02	\$2.02	\$2.01	\$2.01	\$3.50		\$19.99	\$19.99	\$19.99	\$19.99
		DID per service order, per location (Business)				TNPBD		\$2.02	\$2.02	\$2.01	\$2.01	\$3.50		\$19.99	\$19.99	\$19.99	\$19.99
		DID, per trunk termination, Initial				TNPT2	\$12.46	\$129.69		\$37.85		\$3.50		\$19.99	\$19.99	\$19.99	\$19.99
		DID, per trunk termination, Subsequent				TNPT2	\$12.46	\$37.85		\$18.75		\$3.50		\$19.99	\$19.99	\$19.99	\$19.99
		Note: If no rate is identified in the contract, the rate for the specific service or function will be as set forth in applicable BellSouth tariff or as negotiated by the Parties upon request by either Party.															
		1) Until the FCC issues its order implementing a cost recovery mechanism for permanent number portability, the Company will track its costs of providing interim SPNP with sufficient detail to verify the costs. This will facilitate the Florida PSCs consideration of the recovery of these costs in Docket 950737-TP. (FL)															
		2) BellSouth and CLEC will each bear their own costs of providing remote call forwarding as an interim number portability option. (KY)															

**BELLSOUTH / METROMEDIA FIBER NETWORK SERVICES RATES
SERVICE PROVIDER NUMBER PORTABILITY
Alabama**

CATEGORY	NOTES	RATES ELEMENT	Interim Indicator	Zone	BCS	USOC	RATES				OSS RATES						
							Nonrecurring		Nonrecurring Disconnect		Svc Order Submitted Elec per LSR	Svc Order Submitted Manually per LSR	Incremental Charge - Manual Svc Order vs. Electronic-1st	Incremental Charge - Manual Svc Order vs. Electronic-Add'l	Incremental Charge - Manual Svc Order vs. Electronic-Disc 1st	Incremental Charge - Manual Svc Order vs. Electronic-Disc Add'l	
							Rec	First	Add'l	First							Add'l
							SOME	SOMAN	SOMAN	SOMAN	SOMAN						
INTERIM SERVICE PROVIDER NUMBER PORTABILITY - RCF (1) (2)																	
		RCF, per number ported (Business Line)				TNPBL	\$2.34	\$ 0.6441		\$0.0644							
		RCF, per number ported (Residence Line)				TNPRL	\$2.34	\$ 0.6441		\$0.0644							
		RCF, add'l capacity for simultaneous call forwarding, per additional path					\$0.3838										
		RCF, per service order, per location (Business)				TNPBD		\$2.84	\$2.84	\$2.84	\$2.84	\$3.50	\$19.99	\$19.99	\$19.99	\$19.99	\$19.99
		RCF, per service order, per location (Residence)				TNPRD		\$2.84	\$2.84	\$2.84	\$2.84	\$3.50	\$19.99	\$19.99	\$19.99	\$19.99	\$19.99
INTERIM SERVICE PROVIDER NUMBER PORTABILITY - DID																	
		DID per number ported (Residence)				TNPDR		\$1.17		\$1.17							
		DID per number ported (Business)				TNPDB		\$1.17		\$1.17							
		DID per service order, per location (Residence)				TNPRD		\$2.84	\$2.84	\$2.84	\$2.84	\$3.50	\$19.99	\$19.99	\$19.99	\$19.99	\$19.99
		DID per service order, per location (Business)				TNPBD		\$2.84	\$2.84	\$2.84	\$2.84	\$3.50	\$19.99	\$19.99	\$19.99	\$19.99	\$19.99
		DID, per trunk termination, Initial				TNPT2	\$13.78	\$171.68		\$49.86		\$3.50	\$19.99	\$19.99	\$19.99	\$19.99	\$19.99
		DID, per trunk termination, Subsequent				TNPT2	\$13.78	\$50.69		\$24.71		\$3.50	\$19.99	\$19.99	\$19.99	\$19.99	\$19.99
Note: If no rate is identified in the contract, the rate for the specific service or function will be as set forth in applicable BellSouth tariff or as negotiated by the Parties upon request by either Party.																	
1) Until the FCC issues its order implementing a cost recovery mechanism for permanent number portability, the Company will track its costs of providing interim SPNP with sufficient detail to verify the costs. This will facilitate the Florida PSCs consideration of the recovery of these costs in Docket 950737-TP. (FL)																	
2) BellSouth and CLEC will each bear their own costs of providing remote call forwarding as an interim number portability option. (KY)																	

**BELLSOUTH / METROMEDIA FIBER NETWORK SERVICES RATES
SERVICE PROVIDER NUMBER PORTABILITY
Alabama**

CATEGORY	NOTES	RATES ELEMENT	Interim Indicator	Zone	BCS	USOC	RATES					OSS RATES					
							Nonrecurring		Nonrecurring Disconnect		Svc Order Submitted Elec per LSR	Svc Order Submitted Manually per LSR	Incremental Charge - Manual Svc Order vs. Electronic-1st	Incremental Charge - Manual Svc Order vs. Electronic-Add'l	Incremental Charge - Manual Svc Order vs. Electronic-Disc 1st	Incremental Charge - Manual Svc Order vs. Electronic-Disc Add'l	
							Rec	First	Add'l	First							Add'l
							SOMECS	SOMAN	SOMAN	SOMAN	SOMAN						
INTERIM SERVICE PROVIDER NUMBER PORTABILITY - RCF (1) (2)																	
		RCF, per number ported (Business Line), 10 paths				TNPBL	\$2.25										
		RCF, per number ported (Business Line)				TNPBL	\$1.66	\$0.71		\$0.50							
		RCF, per number ported (Residence Line), 6 paths				TNPRL	\$1.15										
		RCF, per number ported (Residence Line)				TNPRL	\$1.66	\$0.71		\$0.50							
		RCF, add'l capacity for simultaneous call forwarding, per additional path					\$0.32										
		RCF, per service order, per location (Business)				TNPBD		\$2.73	\$2.73		\$3.50		\$19.99	\$19.99	\$19.99	\$19.99	
		RCF, per service order, per location (Residence)				TNPRD		\$2.73	\$2.73		\$3.50		\$19.99	\$19.99	\$19.99	\$19.99	
INTERIM SERVICE PROVIDER NUMBER PORTABILITY - DID																	
		DID per number ported (Residence)				TNPDR	\$2.25										
		DID per number ported (Business)				TNPDB	\$2.25										
		DID per service order, per location (Residence)				TNPRD	\$2.73	\$2.73		\$3.50		\$19.99	\$19.99	\$19.99	\$19.99	\$19.99	
		DID per service order, per location (Business)				TNPBD		\$2.73	\$2.73		\$3.50		\$19.99	\$19.99	\$19.99	\$19.99	
		DID, per trunk termination, Initial				TNPT2	\$11.43	\$217.88			\$3.50		\$19.99	\$19.99	\$19.99	\$19.99	
		DID, per trunk termination, Subsequent				TNPT2	\$11.43	\$73.56			\$3.50		\$19.99	\$19.99	\$19.99	\$19.99	
<p>Note: If no rate is identified in the contract, the rate for the specific service or function will be as set forth in applicable BellSouth tariff or as negotiated by the Parties upon request by either Party.</p> <p>1) Until the FCC issues its order implementing a cost recovery mechanism for permanent number portability, the Company will track its costs of providing interim SPNP with sufficient detail to verify the costs. This will facilitate the Florida PSCs consideration of the recovery of these costs in Docket 950737-TP. (FL)</p> <p>2) BellSouth and CLEC will each bear their own costs of providing remote call forwarding as an interim number portability option. (KY)</p>																	

**BELLSOUTH / METROMEDIA FIBER NETWORK SERVICES RATES
SERVICE PROVIDER NUMBER PORTABILITY
Alabama**

CATEGORY	NOTES	RATES ELEMENT	Interim Indicator	Zone	BCS	USOC	RATES					OSS RATES					
							Nonrecurring		Nonrecurring Disconnect		Svc Order Submitted Elec per LSR	Svc Order Submitted Manually per LSR	Incremental Charge - Manual Svc Order vs. Electronic-1st	Incremental Charge - Manual Svc Order vs. Electronic-Add'l	Incremental Charge - Manual Svc Order vs. Electronic-Disc 1st	Incremental Charge - Manual Svc Order vs. Electronic-Disc Add'l	
							Rec	First	Add'l	First							Add'l
							SOMEc	SOMAN	SOMAN	SOMAN	SOMAN						
INTERIM SERVICE PROVIDER NUMBER PORTABILITY - RCF (1) (2)																	
		RCF, per number ported (Business Line)				TNPBL	\$2.17	\$0.7046									
		RCF, per number ported (Residence Line)				TNPRL	\$2.17	\$0.7046									
		RCF, add'l capacity for simultaneous call forwarding, per additional path					\$0.3854										
		RCF, per service order, per location (Business)				TNPBD		\$1.37	\$1.37			\$3.50	\$19.99	\$19.99	\$19.99	\$19.99	
		RCF, per service order, per location (Residence)				TNPRD		\$1.37	\$1.37			\$3.50	\$19.99	\$19.99	\$19.99	\$19.99	
INTERIM SERVICE PROVIDER NUMBER PORTABILITY - DID																	
		DID per number ported (Residence)				TNPDR		\$2.25									
		DID per number ported (Business)				TNPDB		\$2.25									
		DID per service order, per location (Residence)				TNPRD		\$1.37	\$1.37	\$44.70	\$44.70	\$3.50	\$19.99	\$19.99	\$19.99	\$19.99	
		DID per service order, per location (Business)				TNPBD		\$1.37	\$1.37	\$44.70	\$44.70	\$3.50	\$19.99	\$19.99	\$19.99	\$19.99	
		DID, per trunk termination, Initial				TNPT2	\$13.16	\$218.03				\$3.50	\$19.99	\$19.99	\$19.99	\$19.99	
		DID, per trunk termination, Subsequent				TNPT2	\$13.16	\$73.63				\$3.50	\$19.99	\$19.99	\$19.99	\$19.99	
	Note: If no rate is identified in the contract, the rate for the specific service or function will be as set forth in applicable BellSouth tariff or as negotiated by the Parties upon request by either Party.																
	1) Until the FCC issues its order implementing a cost recovery mechanism for permanent number portability, the Company will track its costs of providing interim SPNP with sufficient detail to verify the costs. This will facilitate the Florida PSCs consideration of the recovery of these costs in Docket 950737-TP. (FL)																
	2) BellSouth and CLEC will each bear their own costs of providing remote call forwarding as an interim number portability option. (KY)																

**BELLSOUTH / METROMEDIA FIBER NETWORK SERVICES RATES
SERVICE PROVIDER NUMBER PORTABILITY
Alabama**

CATEGORY	NOTES	RATES ELEMENT	Interim Indicator	Zone	BCS	USOC	RATES					OSS RATES					
							Nonrecurring		Disconnect		Svc Order Submitted Elec per LSR	Svc Order Submitted Manually per LSR	Incremental Charge - Manual Svc Order vs. Electronic-1st	Incremental Charge - Manual Svc Order vs. Electronic-Add'l	Incremental Charge - Manual Svc Order vs. Electronic-Disc 1st	Incremental Charge - Manual Svc Order vs. Electronic-Disc Add'l	
							Rec	First	Add'l	First							Add'l
							SOMEC	SOMAN	SOMAN	SOMAN	SOMAN						
INTERIM SERVICE PROVIDER NUMBER PORTABILITY - RCF (1) (2)																	
		RCF, per number ported (Business Line)				TNPBL	\$1.50										
		RCF, per number ported (Residence Line)				TNPRL	\$1.25										
		RCF, add'l capacity for simultaneous call forwarding, per additional path					\$0.50										
		RCF, per service order, per location (Business)				TNPBD		\$25.00	\$25.00			\$19.99	\$19.99	\$19.99	\$19.99	\$19.99	
		RCF, per service order, per location (Residence)				TNPRD		\$25.00	\$25.00			\$19.99	\$19.99	\$19.99	\$19.99	\$19.99	
<p>Note: If no rate is identified in the contract, the rate for the specific service or function will be as set forth in applicable BellSouth tariff or as negotiated by the Parties upon request by either Party.</p>																	
<p>1) Until the FCC issues its order implementing a cost recovery mechanism for permanent number portability, the Company will track its costs of providing interim SPNP with sufficient detail to verify the costs. This will facilitate the Florida PSCs consideration of the recovery of these costs in Docket 950737-TP. (FL)</p>																	
<p>2) BellSouth and CLEC will each bear their own costs of providing remote call forwarding as an interim number portability option. (KY)</p>																	

Attachment 6

**Pre-Ordering, Ordering and Provisioning,
Maintenance and Repair**

TABLE OF CONTENTS

1. QUALITY OF PRE-ORDERING, ORDERING AND PROVISIONING, MAINTENANCE AND REPAIR3

2. ACCESS TO OPERATIONS SUPPORT SYSTEMS.....3

3. MISCELLANEOUS ORDERING AND PROVISIONING GUIDELINES5

PRE-ORDERING, ORDERING AND PROVISIONING, MAINTENANCE AND REPAIR

1. QUALITY OF PRE-ORDERING, ORDERING AND PROVISIONING, MAINTENANCE AND REPAIR

1.1 BellSouth shall provide pre-ordering, ordering and provisioning and maintenance and repair services to <<customer_name>> that are equivalent to the pre-ordering, ordering and provisioning and maintenance and repair services BellSouth provides to itself or any other CLEC, where technically feasible. The guidelines for pre-ordering, ordering and provisioning and maintenance and repair are set forth in the various guides and business rules, as appropriate, and as they are amended from time to time during this Agreement. The guides and business rules are found at <http://www.interconnection.bellsouth.com> and are incorporated herein by reference.

1.2 For purposes of this Agreement, BellSouth's regular working hours for provisioning are defined as follows:

Monday – Friday – 8:00 a.m. – 5:00 p.m. (Excluding Holidays)
(Resale/UNE non-coordinated,
coordinated orders and order
coordinated-time specific)
Saturday - 8:00 a.m. – 5:00 p.m. (Excluding Holidays)
(Resale/UNE non-coordinated
orders)

1.2.1 The above hours represent the hours, either Eastern or Central Time, of where the physical work is being performed.

1.2.2 To the extent <<customer_name>> requests provisioning of service to be performed outside BellSouth's regular working hours, or the work so requested requires BellSouth's technicians to work outside regular working hours, overtime billing charges shall apply. Notwithstanding the foregoing, if such work is performed outside of regular working hours by a BellSouth technician during his or her scheduled shift and BellSouth does not incur any overtime charges in performing the work on behalf of <<customer_name>>, BellSouth will not assess <<customer_name>> additional charges beyond the rates and charges specified in this Agreement.

2. ACCESS TO OPERATIONS SUPPORT SYSTEMS

2.1 BellSouth shall provide <<customer_name>> access to operations support systems ("OSS") functions for pre-ordering, ordering and provisioning, maintenance and repair, and billing. BellSouth shall provide access to the OSS through manual and/or electronic interfaces as described in this Attachment. It is

the sole responsibility of <<customer_name>> to obtain the technical capability to access and utilize BellSouth's OSS interfaces. Specifications for <<customer_name>>'s access and use of BellSouth's electronic interfaces are set forth at www.interconnection.bellsouth.com and are incorporated herein by reference.

- 2.1.1 Pre-Ordering. In accordance with FCC and Commission rules and orders, BellSouth will provide electronic access to the following pre-ordering functions: service address validation, telephone number selection, service and feature availability, due date information, customer record information and loop makeup information. Access is provided through the Local Exchange Navigation System (LENS) interface and the Telecommunications Access Gateway (TAG) interface. Customer record information includes customer specific information in CRIS and RSAG. <<customer_name>> shall not view, copy, or otherwise obtain access to the customer record information of any customer without that customer's permission. <<customer_name>> will obtain access to customer record information only in strict compliance with applicable laws, rules, or regulations of the State in which the service is provided. BellSouth reserves the right to audit <<customer_name>>'s access to customer record information. If a BellSouth audit of <<customer_name>>'s access to customer record information reveals that <<customer_name>> is accessing customer record information without having obtained the proper End User authorization, BellSouth upon reasonable notice to <<customer_name>> may take corrective action, including but not limited to suspending or terminating <<customer_name>>'s electronic access to BellSouth's OSS functionality. All such information obtained through an audit shall be deemed Information covered by the Proprietary and Confidential Information section in the General Terms and Conditions of this Agreement.
- 2.1.2 Service Ordering. BellSouth will make available the Electronic Data Interchange (EDI) interface and the TAG ordering interface for the purpose of exchanging order information, including order status and completion notification, for non-complex and certain complex resale requests and certain network elements. <<customer_name>> may integrate the EDI interface or the TAG ordering interface with the TAG pre-ordering interface. In addition, BellSouth will provide integrated pre-ordering and ordering capability through the LENS interface for non-complex and certain complex resale service requests and certain network element requests.
- 2.1.3 Maintenance and Repair. <<customer_name>> may report and monitor service troubles and obtain repair services from BellSouth via electronic interfaces. BellSouth provides several options for electronic trouble reporting. For exchange services, BellSouth will offer <<customer_name>> non-discriminatory access to the Trouble Analysis Facilitation Interface (TAFI). In addition, BellSouth will offer an industry standard, machine-to-machine Electronic Communications Trouble Administration (ECTA) Gateway interface. For designed services, BellSouth will provide non-discriminatory trouble reporting via the ECTA Gateway. BellSouth will provide <<customer_name>> an estimated time to

repair, an appointment time or a commitment time, as appropriate, on trouble reports. Requests for trouble repair will be billed in accordance with the provisions of Section 1.2.1 of this Attachment. BellSouth and <<customer_name>> agree to adhere to BellSouth's Operational Understanding, as amended from time to time during this Agreement and as incorporated herein by reference. The Operational Understanding may be accessed via the Internet at <http://www.interconnection.bellsouth.com>.

- 2.2 Change Management. BellSouth provides a collaborative process for change management of the electronic interfaces through the Change Control Process (CCP). Guidelines for this process are set forth in the CCP document as amended from time to time during this Agreement. The CCP document may be accessed via the Internet at <http://www.interconnection.bellsouth.com>.
- 2.3 BellSouth's Versioning Policy for Electronic Interfaces. BellSouth's Versioning Policy is part of the Change Control Process (CCP). Pursuant to the CCP, BellSouth will issue new software releases for new industry standards for its EDI and TAG electronic interfaces. The Versioning Policy, including the appropriate notification to <<customer_name>>, is set forth in the CCP document as amended from time to time during this Agreement. The CCP document may be accessed via the Internet at <http://www.interconnection.bellsouth.com>.
- 2.4 Rates. Charges for use of OSS shall be as set forth in Attachments 1 and 2 of this Agreement and are incorporated herein by reference.

3. MISCELLANEOUS

- 3.1 Pending Orders. Orders placed in the hold or pending status by <<customer_name>> will be held for a maximum of thirty (30) days from the date the order is placed on hold. After such time, <<customer_name>> shall be required to submit a new service order. Incorrect or invalid orders returned to <<customer_name>> for correction or clarification will be held for ten (10) days. If <<customer_name>> does not return a corrected order within ten (10) days, BellSouth will cancel the order.
- 3.2 Single Point of Contact. <<customer_name>> will be the single point of contact with BellSouth for ordering activity for network elements and other services used by <<customer_name>> to provide services to its end users, except that BellSouth may accept an order directly from another CLEC, or BellSouth, acting with authorization of the affected end user. <<customer_name>> and BellSouth shall each execute a blanket letter of authorization with respect to customer orders. The Parties shall each be entitled to adopt their own internal processes for verification of customer authorization for orders, provided, however, that such processes shall comply with applicable state and federal law including, until superseded, the FCC guidelines and orders applicable to Presubscribed Interexchange Carrier (PIC) changes, including Un-PIC. Pursuant to an order from another carrier, BellSouth may disconnect any network element being used by <<customer_name>> to

provide service to that end user and may reuse such network elements or facilities to enable such other carrier to provide service to the end user. BellSouth will notify <<customer_name>> that such an order has been processed, but will not be required to notify <<customer_name>> in advance of such processing.

- 3.3 Use of Facilities. When a customer of <<customer_name>> elects to discontinue service and transfer service to another local exchange carrier, including BellSouth, BellSouth shall have the right to reuse the facilities provided to CLEC by BellSouth. In addition, where BellSouth provides local switching, BellSouth may disconnect and reuse facilities when the facility is in a denied state and BellSouth has received an order to establish new service or transfer of service from a customer or a customer's CLEC at the same address served by the denied facility. BellSouth will notify <<customer_name>> that such an order has been processed after the disconnect order has been completed.
- 3.4 Contact Numbers. The Parties agree to provide one another with toll-free nationwide (50 states) contact numbers for the purpose of ordering, provisioning and maintenance of services.
- 3.5 Subscription Functions. In cases where BellSouth performs subscription functions for an inter-exchange carrier (i.e. PIC and LPIC changes via Customer Account Record Exchange (CARE)), BellSouth will provide the affected inter-exchange carriers with the Operating Company Number (OCN) of the local provider for the purpose of obtaining end user billing account and other end user information required under subscription requirements.
- 3.6 Cancellation Charges. If <<customer_name>> cancels an order for Network Elements or other services, any costs incurred by BellSouth in conjunction with the provisioning of that order will be recovered in accordance with FCC No. 1 Tariff, Section 5.
- 3.7 Expedite Charges. For expedited requests by <<customer_name>>, expedited charges will apply for intervals less than the standard interval as outlined in the BellSouth Product and Services Interval Guide. The charges as outlined in BellSouth's FCC No. 1 Tariff, Section 5, will apply.
- 3.8 CLEC Responsibilities. <<customer_name>> shall provide to BellSouth electronic access to customer record information, where available. If electronic access is not available, <<customer_name>> shall provide paper copies of customer record information. Such information shall be provided to BellSouth in the same intervals that BellSouth provides such information to <<customer_name>>.

Attachment 7

Billing

TABLE OF CONTENTS

1. Payment and Billing Arrangements	3
2. Billing Disputes.....	6
3. RAO Hosting.....	7
4. Optional Daily Usage File.....	11
5. Access Daily Usage File.....	14
Rates.....	Exhibit A

BILLING

1. PAYMENT AND BILLING ARRANGEMENTS

All negotiated rates, terms and conditions set forth in this Attachment pertain to billing and billing accuracy certifications.

1.1 Billing. BellSouth agrees to provide billing through the Carrier Access Billing System (CABS) and through the Customer Records Information System (CRIS) depending on the particular service(s) that <<customer_name>> requests. BellSouth will bill and record in accordance with this Agreement those charges <<customer_name>> incurs as a result of <<customer_name>> purchasing from BellSouth Network Elements and Other Services as set forth in this Agreement. BellSouth will format all bills in CBOS Standard or CLUB/EDI format, depending on the type of service ordered. For those services where standards have not yet been developed, BellSouth's billing format will change as necessary when standards are finalized by the industry forum.

1.1.1 For any service(s) BellSouth orders from <<customer_name>>, <<customer_name>> shall bill BellSouth in CABS format.

1.1.2 If either Party requests multiple billing media or additional copies of bills, the Billing Party will provide these at a reasonable cost.

1.2 Master Account. After receiving certification as a local exchange company from the appropriate regulatory agency, <<customer_name>> will provide the appropriate BellSouth account manager the necessary documentation to enable BellSouth to establish a master account for Local Interconnection, Network Elements and Other Services, and/or resold services. Such documentation shall include the Application for Master Account, proof of authority to provide telecommunications services, an Operating Company Number (OCN) assigned by the National Exchange Carriers Association (NECA), Carrier Identification Code (CIC), Group Access Code (GAC), Access Customer Name and Abbreviation (ACNA) and a tax exemption certificate, if applicable.

1.2.1 Payment Responsibility. Payment of all charges will be the responsibility of <<customer_name>>. <<customer_name>> shall make payment to BellSouth for all services billed. BellSouth is not responsible for payments not received by <<customer_name>> from <<customer_name>>'s customer. BellSouth will not become involved in billing disputes that may arise between <<customer_name>> and <<customer_name>>'s customer. Payments made to BellSouth as payment on account will be credited to an accounts receivable master account and not to an end user's account.

1.3 Payment Due. The payment will be due on or before the next bill date (i.e., same date in the following month as the bill date) and is payable in immediately

available funds. Payment is considered to have been made when received by BellSouth.

- 1.4 If the payment due date falls on a Sunday or on a Holiday which is observed on a Monday, the payment due date shall be the first non-Holiday day following such Sunday or Holiday. If the payment due date falls on a Saturday or on a Holiday which is observed on Tuesday, Wednesday, Thursday, or Friday, the payment due date shall be the last non-Holiday day preceding such Saturday or Holiday. If payment is not received by the payment due date, a late payment charge, as set forth in Section 1.6, below, shall apply.
- 1.5 Tax Exemption. Upon proof of tax exempt certification from <<customer_name>>, the total amount billed to <<customer_name>> will not include those taxes or fees for which the CLEC is exempt. <<customer_name>> will be solely responsible for the computation, tracking, reporting and payment of all taxes and like fees associated with the services provided to the end user of <<customer_name>>.
- 1.6 Late Payment. If any portion of the payment is received by BellSouth after the payment due date as set forth preceding, or if any portion of the payment is received by BellSouth in funds that are not immediately available to BellSouth, then a late payment charge shall be due to BellSouth. The late payment charge shall be the portion of the payment not received by the payment due date times a late factor and will be applied on a per bill basis. The late factor shall be as set forth in Section A2 of the General Subscriber Services Tariff, Section B2 of the Private Line Service Tariff or Section E2 of the Intrastate Access Tariff, whichever BellSouth determines is appropriate. <<customer_name>> will be charged a fee for all returned checks as set forth in Section A2 of the General Subscriber Services Tariff or pursuant to the applicable state law.
- 1.7 Discontinuing Service to <<customer_name>>. The procedures for discontinuing service to <<customer_name>> are as follows:
- 1.7.1 BellSouth reserves the right to suspend or terminate service for nonpayment of services or in the event of prohibited, unlawful or improper use of BellSouth facilities or service or any other violation or noncompliance by <<customer_name>> of the rules and regulations contained in BellSouth's tariffs.
- 1.7.2 If payment of amounts not subject to a billing dispute, as described in Section 2.1.2., is not received by the bill date in the month after the original bill date, BellSouth may provide written notice to <<customer_name>> that additional applications for service will be refused and that any pending orders for service will not be completed if payment is not received by the fifteenth day following the date of the notice. In addition, BellSouth may, at the same time, give thirty (30)days notice to <<customer_name>> at the billing address to discontinue the provision of existing services to <<customer_name>> at any time thereafter.

- 1.7.3 In the case of such discontinuance, all billed charges, as well as applicable termination charges, shall become due.
- 1.7.4 If BellSouth does not discontinue the provision of the services involved on the date specified in the thirty days notice and <<customer_name>>'s noncompliance continues, nothing contained herein shall preclude BellSouth's right to discontinue the provision of the services to <<customer_name>> without further notice.
- 1.7.5 If payment is not received or satisfactory arrangements made for payment by the date given in the written notification, <<customer_name>>'s services will be discontinued. Upon discontinuance of service on <<customer_name>>'s account, service to <<customer_name>>'s end users will be denied. BellSouth will reestablish service at the request of the end user or <<customer_name>> for BellSouth to reestablish service upon payment of the appropriate connection fee and subject to BellSouth's normal application procedures. <<customer_name>> is solely responsible for notifying the end user of the proposed service disconnection. If within fifteen (15) days after an end user's service has been denied and no arrangements to reestablish service have been made consistent with this subsection, the end user's service will be disconnected.
- 1.8 Deposit Policy. When purchasing services from BellSouth, <<customer_name>> will be required to complete the BellSouth Credit Profile and provide information regarding credit worthiness. Based on the results of the credit analysis, BellSouth reserves the right to secure the account with a suitable form of security deposit. Such security deposit shall take the form of cash, an Irrevocable Letter of Credit (BellSouth form), Surety Bond (BellSouth form) or, in its sole discretion, some other form of security. Any such security deposit shall in no way release <<customer_name>> from its obligation to make complete and timely payments of its bill. Such security shall be required prior to the inauguration of service. If, in the sole opinion of BellSouth, circumstances so warrant and/or gross monthly billing has increased beyond the level initially used to determine the level of security, BellSouth reserves the right to request additional security and/or file a Uniform Commercial Code (UCC1) security interest in <<customer_name>>'s "accounts receivables and proceeds." Interest on a security deposit, if provided in cash, shall accrue and be paid in accordance with the terms in the appropriate BellSouth tariff. Security deposits collected under this Section shall not exceed two months' estimated billing. In the event <<customer_name>> fails to remit to BellSouth any deposit requested pursuant to this Section, service to <<customer_name>> may be terminated in accordance with the terms of Section 1.7 of this Attachment, and any security deposits will be applied to <<customer_name>>'s account(s).
- 1.9 Notices. Notwithstanding anything to the contrary in this Agreement, all bills and notices regarding billing matters, including notices relating to security deposits, to rejection of additional orders from <<customer_name>> and to disconnection of services for nonpayment of charges, shall be forwarded to the individual and/or

address provided by <<customer_name>> in establishment of its billing account(s) with BellSouth, or to the individual and/or address subsequently provided by <<customer_name>> as the contact for billing information. All monthly bills and notices described in this Section shall be forwarded to the same individual and/or address; provided, however, upon written notice from <<customer_name>> to BellSouth's billing organization, a final notice of disconnection of services purchased by <<customer_name>> under this Agreement shall be sent via certified mail to the individual(s) listed in the Notices provision of the General Terms and Conditions of this Agreement at least 30 days before BellSouth takes any action to terminate such services.

- 1.10 Rates. Rates for Optional Daily Usage File (ODUF), Access Daily Usage File (ADUF), and Centralized Message Distribution Service (CMDS) are set out in Exhibit A to this Attachment. If no rate is identified in this Attachment, the rate for the specific service or function will be as set forth in applicable BellSouth tariff or as negotiated by the Parties upon request by either Party.

2. BILLING DISPUTES

- 2.1 Billing disputes shall be handled pursuant to the terms of this section.

- 2.1.1 Each Party agrees to notify the other Party in writing upon the discovery of a billing dispute. In the event of a billing dispute, the Parties will endeavor to resolve the dispute within sixty (60) calendar days of the notification date. If the Parties are unable within the 60 day period to reach resolution, then the aggrieved Party may pursue dispute resolution in accordance with the General Terms and Conditions of this Agreement.

- 2.1.2 For purposes of this Section 2, a billing dispute means a dispute of a specific amount of money actually billed by either Party. The dispute must be clearly explained by the disputing Party and supported by written documentation, which clearly shows the basis for disputing charges. By way of example and not by limitation, a billing dispute will not include the refusal to pay all or part of a bill or bills when no written documentation is provided to support the dispute, nor shall a billing dispute include the refusal to pay other amounts owed by the billed Party until the dispute is resolved. Claims by the billed Party for damages of any kind will not be considered a billing dispute for purposes of this Section 3. Once the billing dispute is resolved, the disputing Party will make immediate payment of any of the disputed amount owed to the billing Party or the billing Party shall have the right to pursue normal treatment procedures. Any credits due to the disputing Party, pursuant to the billing dispute, will be applied to the disputing Party's account by the billing Party immediately upon resolution of the dispute.

- 2.2 If a Party disputes a charge and does not pay such charge by the payment due date, or if a payment or any portion of a payment is received by either Party after the payment due date, or if a payment or any portion of a payment is received in funds which are not immediately available to the other Party, then a late payment charge

shall be assessed. For bills rendered by either Party for payment, the late payment charge for both Parties shall be calculated based on the portion of the payment not received by the payment due date times the late factor as set forth in the following BellSouth tariffs: for services purchased from the General Subscribers Services Tariff for purposes of resale and for ports and non-designed loops, Section A2 of the General Subscriber Services Tariff; for services purchased from the Private Line Tariff for purposes of resale, Section B2 of the Private Line Service Tariff; and for network elements and other services and local interconnection charges, Section E2 of the Access Service Tariff. In no event, however, shall interest be assessed by either Party on any previously assessed late payment charges. The Parties shall assess interest on previously assessed late payment charges only in a state where it has the authority pursuant to its tariffs.

3. RAO HOSTING

- 3.1 RAO Hosting, Calling Card and Third Number Settlement System (CATS) and Non-Intercompany Settlement System (NICS) services provided to <<customer_name>> by BellSouth will be in accordance with the methods and practices regularly adopted and applied by BellSouth to its own operations during the term of this Agreement, including such revisions as may be made from time to time by BellSouth.
- 3.2 <<customer_name>> shall furnish all relevant information required by BellSouth for the provision of RAO Hosting, CATS and NICS.
- 3.3 Compensation amounts, if applicable, will be billed by BellSouth to <<customer_name>> on a monthly basis in arrears. Amounts due from one Party to the other (excluding adjustments) are payable within thirty (30) days of receipt of the billing statement.
- 3.4 <<customer_name>> must have its own unique hosted RAO code. Requests for establishment of RAO status where BellSouth is the selected CMDS interfacing host, require written notification from <<customer_name>> to the BellSouth RAO Hosting coordinator at least eight (8) weeks prior to the proposed effective date. The proposed effective date will be mutually agreed upon between the Parties with consideration given to time necessary for the completion of required Telcordia (formerly BellCore) functions. BellSouth will request the assignment of an RAO code from its connecting contractor, currently Telcordia (formerly BellCore), on behalf of <<customer_name>> and will coordinate all associated conversion activities.
- 3.5 BellSouth will receive messages from <<customer_name>> that are to be processed by BellSouth, another LEC or CLEC in the BellSouth region or a LEC outside the BellSouth region.

- 3.6 BellSouth will perform invoice sequence checking, standard EMI format editing, and balancing of message data with the EMI trailer record counts on all data received from <<customer_name>>.
- 3.7 All data received from <<customer_name>> that is to be processed or billed by another LEC or CLEC within the BellSouth region will be distributed to that LEC or CLEC in accordance with the Agreement(s) which may be in effect between BellSouth and the involved LEC or CLEC.
- 3.8 All data received from <<customer_name>> that is to be placed on the CMDS network for distribution outside the BellSouth region will be handled in accordance with the agreement(s) which may be in effect between BellSouth and its connecting contractor (currently Telcordia (formerly BellCore)).
- 3.9 BellSouth will receive messages from the CMDS network that are destined to be processed by <<customer_name>> and will forward them to <<customer_name>> on a daily basis.
- 3.10 Transmission of message data between BellSouth and <<customer_name>> will be via CONNECT:Direct.
- 3.11 All messages and related data exchanged between BellSouth and <<customer_name>> will be formatted in accordance with accepted industry standards for EMI formatted records and packed between appropriate EMI header and trailer records, also in accordance with accepted industry standards.
- 3.12 <<customer_name>> will ensure that the recorded message detail necessary to recreate files provided to BellSouth will be maintained for back-up purposes for a period of three (3) calendar months beyond the related message dates.
- 3.13 Should it become necessary for <<customer_name>> to send data to BellSouth more than sixty (60) days past the message date(s), <<customer_name>> will notify BellSouth in advance of the transmission of the data. If there will be impacts outside the BellSouth region, BellSouth will work with its connecting contractor and <<customer_name>> to notify all affected Parties.
- 3.14 In the event that data to be exchanged between the two Parties should become lost or destroyed, both Parties will work together to determine the source of the problem. Once the cause of the problem has been jointly determined and the responsible Party (BellSouth or <<customer_name>>) identified and agreed to, the company responsible for creating the data (BellSouth or <<customer_name>>) will make every effort to have the affected data restored and retransmitted. If the data cannot be retrieved, the responsible Party will be liable to the other Party for any resulting lost revenue. Lost revenue may be a combination of revenues that could not be billed to the end users and associated access revenues. Both Parties will work together to estimate the revenue amount based upon historical data

through a method mutually agreed upon. The resulting estimated revenue loss will be paid by the responsible Party to the other Party within three (3) calendar months of the date of problem resolution, or as mutually agreed upon by the Parties.

- 3.15 Should an error be detected by the EMI format edits performed by BellSouth on data received from <<customer_name>>, the entire pack containing the affected data will not be processed by BellSouth. BellSouth will notify <<customer_name>> of the error condition. <<customer_name>> will correct the error(s) and will resend the entire pack to BellSouth for processing. In the event that an out-of-sequence condition occurs on subsequent packs, <<customer_name>> will resend these packs to BellSouth after the pack containing the error has been successfully reprocessed by BellSouth.
- 3.16 In association with message distribution service, BellSouth will provide <<customer_name>> with associated intercompany settlements reports (CATS and NICS) as appropriate.
- 3.17 In no case shall either Party be liable to the other for any direct or consequential damages incurred as a result of the obligations set out in this Agreement.
- 3.18 RAO Compensation
- 3.18.1 Rates for message distribution service provided by BellSouth for <<customer_name>> are as set forth in Exhibit A to this Attachment.
- 3.18.2 Rates for data transmission associated with message distribution service are as set forth in Exhibit A to this Attachment.
- 3.18.3 Data circuits (private line or dial-up) will be required between BellSouth and <<customer_name>> for the purpose of data transmission. Where a dedicated line is required, <<customer_name>> will be responsible for ordering the circuit, overseeing its installation and coordinating the installation with BellSouth. <<customer_name>> will also be responsible for any charges associated with this line. Equipment required on the BellSouth end to attach the line to the mainframe computer and to transmit successfully ongoing will be negotiated on a case by case basis. Where a dial-up facility is required, dial circuits will be installed in the BellSouth data center by BellSouth and the associated charges assessed to <<customer_name>>. Additionally, all message toll charges associated with the use of the dial circuit by <<customer_name>> will be the responsibility of <<customer_name>>. Associated equipment on the BellSouth end, including a modem, will be negotiated on a case by case basis between the Parties.
- 3.18.4 All equipment, including modems and software, that is required on the <<customer_name>> end for the purpose of data transmission will be the responsibility of <<customer_name>>.

- 3.19 Intercompany Settlements Messages
- 3.19.1 This Section addresses the settlement of revenues associated with traffic originated from or billed by <<customer_name>> as a facilities based provider of local exchange telecommunications services outside the BellSouth region. Only traffic that originates in one Bell operating territory and bills in another Bell operating territory is included. Traffic that originates and bills within the same Bell operating territory will be settled on a local basis between <<customer_name>> and the involved company(ies), unless that company is participating in NICS.
- 3.19.2 Both traffic that originates outside the BellSouth region by <<customer_name>> and is billed within the BellSouth region, and traffic that originates within the BellSouth region and is billed outside the BellSouth region by <<customer_name>>, is covered by this Agreement (CATS). Also covered is traffic that either is originated by or billed by <<customer_name>>, involves a company other than <<customer_name>>, qualifies for inclusion in the CATS settlement, and is not originated or billed within the BellSouth region (NICS).
- 3.19.3 Once <<customer_name>> is operating within the BellSouth territory, revenues associated with calls originated and billed within the BellSouth region will be settled via Telcordia (formerly BellCore)'s, its successor or assign, NICS system.
- 3.19.4 BellSouth will receive the monthly NICS reports from Telcordia (formerly BellCore), its successor or assign, on behalf of <<customer_name>>. BellSouth will distribute copies of these reports to <<customer_name>> on a monthly basis.
- 3.19.5 BellSouth will receive the monthly Calling Card and Third Number Settlement System (CATS) reports from Telcordia (formerly BellCore), its successor or assign, on behalf of <<customer_name>>. BellSouth will distribute copies of these reports to <<customer_name>> on a monthly basis.
- 3.19.6 BellSouth will collect the revenue earned by <<customer_name>> from the Bell operating company in whose territory the messages are billed (CATS), less a per message billing and collection fee of five cents (\$0.05), on behalf of <<customer_name>>. BellSouth will remit the revenue billed by <<customer_name>> to the Bell operating company in whose territory the messages originated, less a per message billing and collection fee of five cents (\$0.05), on behalf on <<customer_name>>. These two amounts will be netted together by BellSouth and the resulting charge or credit issued to <<customer_name>> via a monthly Carrier Access Billing System (CABS) miscellaneous bill.
- 3.19.7 BellSouth will collect the revenue earned by <<customer_name>> within the BellSouth territory from another CLEC also within the BellSouth territory (NICS) where the messages are billed, less a per message billing and collection fee of five

cents (\$0.05), on behalf of <<customer_name>>. BellSouth will remit the revenue billed by <<customer_name>> within the BellSouth region to the CLEC also within the BellSouth region, where the messages originated, less a per message billing and collection fee of five cents (\$0.05). These two amounts will be netted together by BellSouth and the resulting charge or credit issued to <<customer_name>> via a monthly CABS miscellaneous bill.

3.19.8 BellSouth and <<customer_name>> agree that monthly netted amounts of less than fifty dollars (\$50.00) will not be settled.

4. OPTIONAL DAILY USAGE FILE

4.1 Upon written request from <<customer_name>>, BellSouth will provide the Optional Daily Usage File (ODUF) service to <<customer_name>> pursuant to the terms and conditions set forth in this section.

4.2 <<customer_name>> shall furnish all relevant information required by BellSouth for the provision of the ODUF.

4.3 The Optional Daily Usage Feed will contain billable messages that were carried over the BellSouth Network and processed in the BellSouth Billing System, but billed to a <<customer_name>> customer.

4.4 Charges for delivery of the ODUF will appear on <<customer_name>>'s monthly bills. The charges are as set forth in Exhibit A to this Attachment.

4.5 The Optional Daily Usage Feed will contain both rated and unrated messages. All messages will be in the standard Alliance for Telecommunications Industry Solutions (ATIS) EMI record format.

4.6 Messages that error in the billing system of <<customer_name>> will be the responsibility of <<customer_name>>. If, however, <<customer_name>> should encounter significant volumes of errored messages that prevent processing by <<customer_name>> within its systems, BellSouth will work with <<customer_name>> to determine the source of the errors and the appropriate resolution.

4.7 The following specifications shall apply to the Optional Daily Usage Feed.

4.7.1 USAGE TO BE TRANSMITTED

4.7.1.1 The following messages recorded by BellSouth will be transmitted to <<customer_name>>:

- Message recording for per use/per activation type services (examples: Three -Way Calling, Verify, Interrupt, Call Return, etc.)
- Measured billable Local

- Directory Assistance messages
- IntraLATA Toll
- WATS and 800 Service
- N11
- Information Service Provider Messages
- Operator Services Messages
- Operator Services Message Attempted Calls (Network Element only)
- Credit/Cancel Records
- Usage for Voice Mail Message Service

4.7.1.2 Rated Incollects (originated in BellSouth and from other companies) can also be on ODUF. Rated Incollects will be intermingled with BellSouth recorded rated and unrated usage. Rated Incollects will not be packed separately.

4.7.1.3 BellSouth will perform duplicate record checks on records processed to ODUF. Any duplicate messages detected will be deleted and not sent to <<customer_name>>.

4.7.1.4 In the event that <<customer_name>> detects a duplicate on ODUF they receive from BellSouth, <<customer_name>> will drop the duplicate message (<<customer_name>> will not return the duplicate to BellSouth).

4.7.2 **PHYSICAL FILE CHARACTERISTICS**

4.7.2.1 ODUF will be distributed to <<customer_name>> via an agreed medium with CONNECT:Direct being the preferred transport method. The Daily Usage Feed will be a variable block format (2476) with an LRECL of 2472. The data on the Daily Usage Feed will be in a non-compacted EMI format (175 byte format plus modules). It will be created on a daily basis (Monday through Friday except holidays). Details such as dataset name and delivery schedule will be addressed during negotiations of the distribution medium. There will be a maximum of one dataset per workday per OCN.

4.7.2.2 Data circuits (private line or dial-up) will be required between BellSouth and <<customer_name>> for the purpose of data transmission. Where a dedicated line is required, <<customer_name>> will be responsible for ordering the circuit, overseeing its installation and coordinating the installation with BellSouth. <<customer_name>> will also be responsible for any charges associated with this line. Equipment required on the BellSouth end to attach the line to the mainframe

computer and to transmit successfully ongoing will be negotiated on a case by case basis. Where a dial-up facility is required, dial circuits will be installed in the BellSouth data center by BellSouth and the associated charges assessed to <<customer_name>>. Additionally, all message toll charges associated with the use of the dial circuit by <<customer_name>> will be the responsibility of <<customer_name>>. Associated equipment on the BellSouth end, including a modem, will be negotiated on a case by case basis between the Parties. All equipment, including modems and software, that is required on <<customer_name>>'s end for the purpose of data transmission will be the responsibility of <<customer_name>>.

4.7.3 **PACKING SPECIFICATIONS**

4.7.3.1 A pack will contain a minimum of one message record or a maximum of 99,999 message records plus a pack header record and a pack trailer record. One transmission can contain a maximum of 99 packs and a minimum of one pack.

4.7.3.2 The OCN, From RAO, and Invoice Number will control the invoice sequencing. The From RAO will be used to identify to <<customer_name>> which BellSouth RAO that is sending the message. BellSouth and <<customer_name>> will use the invoice sequencing to control data exchange. BellSouth will be notified of sequence failures identified by <<customer_name>> and resend the data as appropriate.

The data will be packed using ATIS EMI records.

4.7.4 **PACK REJECTION**

4.7.4.1 <<customer_name>> will notify BellSouth within one business day of rejected packs (via the mutually agreed medium). Packs could be rejected because of pack sequencing discrepancies or a critical edit failure on the Pack Header or Pack Trailer records (i.e. out-of-balance condition on grand totals, invalid data populated). Standard ATIS EMI Error Codes will be used. <<customer_name>> will not be required to return the actual rejected data to BellSouth. Rejected packs will be corrected and retransmitted to <<customer_name>> by BellSouth.

4.7.5 **CONTROL DATA**

4.7.5.1 <<customer_name>> will send one confirmation record per pack that is received from BellSouth. This confirmation record will indicate <<customer_name>> received the pack and the acceptance or rejection of the pack. Pack Status Code(s) will be populated using standard ATIS EMI error codes for packs that were rejected by <<customer_name>> for reasons stated in the above section.

4.7.6 **TESTING**

4.7.6.1 Upon request from <<customer_name>>, BellSouth shall send test files to <<customer_name>> for ODUF. The Parties agree to review and discuss the

file's content and/or format. For testing of usage results, BellSouth shall request that <<customer_name>> set up a production (LIVE) file. The live test may consist of <<customer_name>>'s employees making test calls for the types of services <<customer_name>> requests on ODUF. These test calls are logged by <<customer_name>>, and the logs are provided to BellSouth. These logs will be used to verify the files. Testing will be completed within 30 calendar days from the date on which the initial test file was sent.

5. ACCESS DAILY USAGE FILE

5.1 Upon written request from <<customer_name>>, BellSouth will provide the Access Daily Usage File (ADUF) service to <<customer_name>> pursuant to the terms and conditions set forth in this section.

5.2 <<customer_name>> shall furnish all relevant information required by BellSouth for the provision of ADUF.

5.3 ADUF will contain access messages associated with a port that <<customer_name>> has purchased from BellSouth

5.4 Charges for delivery of ADUF will appear on <<customer_name>>'s monthly bills. The charges are as set forth in Exhibit A to this Attachment. All messages will be in the standard ATIS EMI record format.

5.5 Messages that error in the billing system of <<customer_name>> will be the responsibility of <<customer_name>>. If, however, <<customer_name>> should encounter significant volumes of errored messages that prevent processing by <<customer_name>> within its systems, BellSouth will work with <<customer_name>> to determine the source of the errors and the appropriate resolution.

5.6 USAGE TO BE TRANSMITTED

5.6.1 The following messages recorded by BellSouth will be transmitted to <<customer_name>>:

5.6.1.1 Recorded originating and terminating interstate and intrastate access records associated with a port.

5.6.1.2 Recorded terminating access records for undetermined jurisdiction access records associated with a port.

5.6.2 When <<customer_name>> purchases Network Element ports from BellSouth and calls are made using these ports, BellSouth will handle the calls as follows:

5.6.2.1 Originating from Network Element and carried by Interexchange Carrier:

- 5.6.2.1.1 BellSouth will bill network element to CLEC and send access record to the CLEC via ADUF.
- 5.6.2.2 Originating from network element and carried by BellSouth (<<customer_name>> is BellSouth's toll customer).
- 5.6.2.3 Terminating on network element and carried by Interexchange Carrier:
 - 5.6.2.3.1 BellSouth will bill network element to <<customer_name>> and send access record to <<customer_name>>.
- 5.6.2.4 Terminating on network element and carried by BellSouth:
 - 5.6.2.4.1 BellSouth will bill network element to <<customer_name>> and send access record to <<customer_name>>.
- 5.6.3 BellSouth will perform duplicate record checks on records processed to ADUF. Any duplicate messages detected will be dropped and not sent to <<customer_name>>.
- 5.6.4 In the event that <<customer_name>> detects a duplicate on ADUF they receive from BellSouth, <<customer_name>> will drop the duplicate message (<<customer_name>> will not return the duplicate to BellSouth.)

5.6.5 **PHYSICAL FILE CHARACTERISTICS**

- 5.6.5.1 ADUF will be distributed to <<customer_name>> via CONNECT:Direct. The Access Daily Usage Feed will be a fixed block format (2476) with an LRECL of 2472. The data on the Daily Usage Feed will be in a non-compacted EMI format (210 byte). It will be created on a daily basis (Monday through Friday except holidays). Details such as dataset name and delivery schedule will be addressed during negotiations of the distribution medium. There will be a maximum of one dataset per workday per OCN.
- 5.6.5.2 Data circuits (private line or dial-up) will be required between BellSouth and <<customer_name>> for the purpose of data transmission. Where a dedicated line is required, <<customer_name>> will be responsible for ordering the circuit, overseeing its installation and coordinating the installation with BellSouth. <<customer_name>> will also be responsible for any charges associated with this line. Equipment required on the BellSouth end to attach the line to the mainframe computer and to transmit successfully ongoing will be negotiated on a case by case basis. Where a dial-up facility is required, dial circuits will be installed in the BellSouth data center by BellSouth and the associated charges assessed to <<customer_name>>. Additionally, all message toll charges associated with the use of the dial circuit by <<customer_name>> will be the responsibility of <<customer_name>>. Associated equipment on the BellSouth end, including a modem, will be negotiated on a case by case basis between the Parties. All

equipment, including modems and software, that is required on <<customer_name>>'s end for the purpose of data transmission will be the responsibility of <<customer_name>>.

5.6.6 **PACKING SPECIFICATIONS**

5.6.6.1 A pack will contain a minimum of one message record or a maximum of 99,999 message records plus a pack header record and a pack trailer record. One transmission can contain a maximum of 99 packs and a minimum of one pack.

5.6.6.2 The OCN, From RAO, and Invoice Number will control the invoice sequencing. The From RAO will be used to identify to <<customer_name>> which BellSouth RAO is sending the message. BellSouth and <<customer_name>> will use the invoice sequencing to control data exchange. BellSouth will be notified of sequence failures identified by <<customer_name>> and resend the data as appropriate.

The data will be packed using ATIS EMI records.

5.6.7 **PACK REJECTION**

5.6.7.1 <<customer_name>> will notify BellSouth within one business day of rejected packs (via the mutually agreed medium). Packs could be rejected because of pack sequencing discrepancies or a critical edit failure on the Pack Header or Pack Trailer records (i.e. out-of-balance condition on grand totals, invalid data populated). Standard ATIS EMI Error Codes will be used. <<customer_name>> will not be required to return the actual rejected data to BellSouth. Rejected packs will be corrected and retransmitted to <<customer_name>> by BellSouth.

5.6.8 **CONTROL DATA**

5.6.8.1 <<customer_name>> will send one confirmation record per pack that is received from BellSouth. This confirmation record will indicate <<customer_name>> received the pack and the acceptance or rejection of the pack. Pack Status Code(s) will be populated using standard ATIS EMI error codes for packs that were rejected by <<customer_name>> for reasons stated in the above section.

5.6.9 Testing

5.6.9.1 Upon request from <<customer_name>>, BellSouth shall send a test file of generic data to <<customer_name>> via Connect:Direct or Text File via E-Mail. The Parties agree to review and discuss the test file's content and/or format.

BELLSOUTH / METROMEDIA FIBER NETWORK SERVICES RATES
ODUF/ADUF/CMDS
Alabama

CATEGORY	NOTES	RATE ELEMENT	Interim	Zone	BCS	USOC	RATES					OSS RATES											
							Nonrecurring		Nonrecurring			Svc Order Submitted Elec per LSR	Svc Order Submitted Manually per LSR	Incremental Charge - Manual Svc Order vs. Electronic-1st	Incremental Charge - Manual Svc Order vs. Electronic-Add'l	Incremental Charge - Manual Svc Order vs. Electronic-Disc 1st	Incremental Charge - Manual Svc Order vs. Electronic-Disc Add'l						
							Rec	First	Add'l	First	Add'l												
							Rec	First	Add'l	First	Add'l	SOME C	SOMAN	SOMAN	SOMAN	SOMAN	SOMAN	SOMAN					
ODUF/EDOUF/ADUF/CMDS																							
		ACCESS DAILY USAGE FILE (ADUF)																					
		ADUF: Message Processing, per message				N/A	\$0.004																
		ADUF: Data Transmission (CONNECT:DIRECT), per message				N/A	\$0.001																
		OPTIONAL DAILY USAGE FILE (ODUF)																					
		ODUF: Recording, per message				N/A	\$0.0002																
		ODUF: Message Processing, per message				N/A	\$0.0033																
		ODUF: Message Processing, per Magnetic Tape provisioned				N/A	\$55.19																
		ODUF: Data Transmission (CONNECT:DIRECT), per message				N/A	\$0.00004																
		CENTRALIZED MESSAGE DISTRIBUTION SERVICE (CMDS)																					
		CMDS: Message Processing, per message				N/A	\$0.004																
		CMDS: Data Transmission (CONNECT:DIRECT), per message				N/A	\$0.001																
Notes: If no rate is identified in the contract, the rate for the specific service or function will be as set forth in applicable BellSouth tariff or as negotiated by the Parties upon request by either Party.																							

BELLSOUTH / METROMEDIA FIBER NETWORK SERVICES RATES
ODUF/ADUF/CMDS
Florida

CATEGORY	NOTES	RATE ELEMENT	Interim	Zone	BCS	USOC	RATES					OSS RATES													
							Nonrecurring		Nonrecurring			Svc Order Submitted Elec per LSR	Svc Order Submitted Manually per LSR	Incremental Charge - Manual Svc Order vs. Electronic-1st	Incremental Charge - Manual Svc Order vs. Electronic-Add'l	Incremental Charge - Manual Svc Order vs. Electronic-Disc 1st	Incremental Charge - Manual Svc Order vs. Electronic-Disc Add'l								
							Rec	First	Add'l	First	Add'l														
							Rec	First	Add'l	First	Add'l	SOME C	SOMAN	SOMAN	SOMAN	SOMAN	SOMAN	SOMAN							
ODUF/EDOUF/ADUF/CMDS																									
		ACCESS DAILY USAGE FILE (ADUF)																							
		ADUF: Message Processing, per message				N/A	\$0.004																		
		ADUF: Data Transmission (CONNECT:DIRECT), per message				N/A	\$0.001																		
		OPTIONAL DAILY USAGE FILE (ODUF)																							
		ODUF: Recording, per message				N/A	\$0.008																		
		ODUF: Message Processing, per message				N/A	\$0.004																		
		ODUF: Message Processing, per Magnetic Tape provisioned				N/A	\$54.95																		
		ODUF: Data Transmission (CONNECT:DIRECT), per message				N/A	\$0.001																		
		CENTRALIZED MESSAGE DISTRIBUTION SERVICE (CMDS)																							
		CMDS: Message Processing, per message				N/A	\$0.004																		
		CMDS: Data Transmission (CONNECT:DIRECT), per message				N/A	\$0.001																		
	Notes: If no rate is identified in the contract, the rate for the specific service or function will be as set forth in applicable BellSouth tariff or as negotiated by the Parties upon request by either Party.																								

BELLSOUTH / METROMEDIA FIBER NETWORK SERVICES RATES
ODUF/ADUF/CMDS
Georgia

CATEGORY	NOTES	RATE ELEMENT	Interim	Zone	BCS	USOC	RATES					OSS RATES										
							Nonrecurring		Nonrecurring			Svc Order Submitted Elec per LSR	Svc Order Submitted Manually per LSR	Incremental Charge - Manual Svc Order vs. Electronic-1st	Incremental Charge - Manual Svc Order vs. Electronic-Add'l	Incremental Charge - Manual Svc Order vs. Electronic-Disc 1st	Incremental Charge - Manual Svc Order vs. Electronic-Disc Add'l					
							Rec	First	Add'l	First	Add'l											
							Rec	First	Add'l	First	Add'l	SOME C	SOMAN	SOMAN	SOMAN	SOMAN	SOMAN					
ODUF/EDOUF/ADUF/CMDS																						
		ACCESS DAILY USAGE FILE (ADUF)																				
		ADUF: Message Processing, per message				N/A	\$0.0136327															
		ADUF: Data Transmission (CONNECT:DIRECT), per message				N/A	\$0.0000434															
		OPTIONAL DAILY USAGE FILE (ODUF)																				
		ODUF: Recording, per message				N/A	\$0.0001275															
		ODUF: Message Processing, per message				N/A	\$0.0082548															
		ODUF: Message Processing, per Magnetic Tape provisioned				N/A	\$28.85															
		ODUF: Data Transmission (CONNECT:DIRECT), per message				N/A	\$0.0000434															
		CENTRALIZED MESSAGE DISTRIBUTION SERVICE (CMDS)																				
		CMDS: Message Processing, per message				N/A	\$0.004															
		CMDS: Data Transmission (CONNECT:DIRECT), per message				N/A	\$0.001															
Notes: If no rate is identified in the contract, the rate for the specific service or function will be as set forth in applicable BellSouth tariff or as negotiated by the Parties upon request by either Party.																						

BELLSOUTH / METROMEDIA FIBER NETWORK SERVICES RATES
ODUF/ADUF/CMDS
Kentucky

CATEGORY	NOTES	RATE ELEMENT	Interim	Zone	BCS	USOC	RATES					OSS RATES										
							Nonrecurring		Nonrecurring			Svc Order Submitted Elec per LSR	Svc Order Submitted Manually per LSR	Incremental Charge - Manual Svc Order vs. Electronic-1st	Incremental Charge - Manual Svc Order vs. Electronic-Add'l	Incremental Charge - Manual Svc Order vs. Electronic-Disc 1st	Incremental Charge - Manual Svc Order vs. Electronic-Disc Add'l					
							Rec	First	Add'l	First	Add'l											
							Rec	First	Add'l	First	Add'l	SOME C	SOMAN	SOMAN	SOMAN	SOMAN	SOMAN					
ODUF/EDOUF/ADUF/CMDS																						
		ACCESS DAILY USAGE FILE (ADUF)																				
		ADUF: Message Processing, per message				N/A	\$0.004															
		ADUF: Data Transmission (CONNECT:DIRECT), per message				N/A	\$0.001															
		OPTIONAL DAILY USAGE FILE (ODUF)																				
		ODUF: Recording, per message				N/A	\$0.0008611															
		ODUF: Message Processing, per message				N/A	\$0.0032357															
		ODUF: Message Processing, per Magnetic Tape provisioned				N/A	\$55.68															
		ODUF: Data Transmission (CONNECT:DIRECT), per message				N/A	\$0.0000365															
		CENTRALIZED MESSAGE DISTRIBUTION SERVICE (CMDS)																				
		CMDS: Message Processing, per message				N/A	\$0.004															
		CMDS: Data Transmission (CONNECT:DIRECT), per message				N/A	\$0.001															
	Notes: If no rate is identified in the contract, the rate for the specific service or function will be as set forth in applicable BellSouth tariff or as negotiated by the Parties upon request by either Party.																					

BELLSOUTH / METROMEDIA FIBER NETWORK SERVICES RATES
ODUF/ADUF/CMDS
 Louisiana

CATEGORY	NOTES	RATE ELEMENT	Interim	Zone	BCS	USOC	RATES					OSS RATES											
							Nonrecurring		Nonrecurring			Svc Order Submitted Elec per LSR	Svc Order Submitted Manually per LSR	Incremental Charge - Manual Svc Order vs. Electronic-1st	Incremental Charge - Manual Svc Order vs. Electronic-Add'l	Incremental Charge - Manual Svc Order vs. Electronic-Disc 1st	Incremental Charge - Manual Svc Order vs. Electronic-Disc Add'l						
							Rec	First	Add'l	First	Add'l												
							Rec	First	Add'l	First	Add'l	SOME C	SOMAN	SOMAN	SOMAN	SOMAN	SOMAN	SOMAN					
ODUF/EDOUF/ADUF/CMDS																							
		ACCESS DAILY USAGE FILE (ADUF)																					
		ADUF: Message Processing, per message				N/A	\$0.004																
		ADUF: Data Transmission (CONNECT:DIRECT), per message				N/A	\$0.001																
		OPTIONAL DAILY USAGE FILE (ODUF)																					
		ODUF: Recording, per message				N/A	\$0.00019																
		ODUF: Message Processing, per message				N/A	\$0.0024																
		ODUF: Message Processing, per Magnetic Tape provisioned				N/A	\$47.30																
		ODUF: Data Transmission (CONNECT:DIRECT), per message				N/A	\$0.00003																
		CENTRALIZED MESSAGE DISTRIBUTION SERVICE (CMDS)																					
		CMDS: Message Processing, per message				N/A	\$0.004																
		CMDS: Data Transmission (CONNECT:DIRECT), per message				N/A	\$0.001																
	Notes: If no rate is identified in the contract, the rate for the specific service or function will be as set forth in applicable BellSouth tariff or as negotiated by the Parties upon request by either Party.																						

BELLSOUTH / METROMEDIA FIBER NETWORK SERVICES RATES
ODUF/ADUF/CMDS
Mississippi

CATEGORY	NOTES	RATE ELEMENT	Interim	Zone	BCS	USOC	RATES					OSS RATES											
							Nonrecurring		Nonrecurring			Svc Order Submitted Elec per LSR	Svc Order Submitted Manually per LSR	Incremental Charge - Manual Svc Order vs. Electronic-1st	Incremental Charge - Manual Svc Order vs. Electronic-Add'l	Incremental Charge - Manual Svc Order vs. Electronic-Disc 1st	Incremental Charge - Manual Svc Order vs. Electronic-Disc Add'l						
							Rec	First	Add'l	First	Add'l												
							Rec	First	Add'l	First	Add'l	SOME C	SOMAN	SOMAN	SOMAN	SOMAN	SOMAN	SOMAN					
ODUF/EDOUF/ADUF/CMDS																							
		ACCESS DAILY USAGE FILE (ADUF)																					
		ADUF: Message Processing, per message				N/A	\$0.004																
		ADUF: Data Transmission (CONNECT:DIRECT), per message				N/A	\$0.001																
		OPTIONAL DAILY USAGE FILE (ODUF)																					
		ODUF: Recording, per message				N/A	\$0.0001179																
		ODUF: Message Processing, per message				N/A	\$0.0032089																
		ODUF: Message Processing, per Magnetic Tape provisioned				N/A	\$54.62																
		ODUF: Data Transmission (CONNECT:DIRECT), per message				N/A	\$0.0000354																
		CENTRALIZED MESSAGE DISTRIBUTION SERVICE (CMDS)																					
		CMDS: Message Processing, per message				N/A	\$0.004																
		CMDS: Data Transmission (CONNECT:DIRECT), per message				N/A	\$0.001																
	Notes: If no rate is identified in the contract, the rate for the specific service or function will be as set forth in applicable BellSouth tariff or as negotiated by the Parties upon request by either Party.																						

BELLSOUTH / METROMEDIA FIBER NETWORK SERVICES RATES
ODUF/ADUF/CMDS
North Carolina

CATEGORY	NOTES	RATE ELEMENT	Interim	Zone	BCS	USOC	RATES					OSS RATES											
							Nonrecurring		Nonrecurring			Svc Order Submitted Elec per LSR	Svc Order Submitted Manually per LSR	Incremental Charge - Manual Svc Order vs. Electronic-1st	Incremental Charge - Manual Svc Order vs. Electronic-Add'l	Incremental Charge - Manual Svc Order vs. Electronic-Disc 1st	Incremental Charge - Manual Svc Order vs. Electronic-Disc Add'l						
							Rec	First	Add'l	First	Add'l												
							Rec	First	Add'l	First	Add'l	SOME C	SOMAN	SOMAN	SOMAN	SOMAN	SOMAN	SOMAN					
ODUF/EDOUF/ADUF/CMDS																							
		ACCESS DAILY USAGE FILE (ADUF)																					
		ADUF: Message Processing, per message				N/A	\$0.004																
		ADUF: Data Transmission (CONNECT:DIRECT), per message				N/A	\$0.001																
		OPTIONAL DAILY USAGE FILE (ODUF)																					
		ODUF: Recording, per message				N/A	\$0.0003																
		ODUF: Message Processing, per message				N/A	\$0.0032																
		ODUF: Message Processing, per Magnetic Tape provisioned				N/A	\$54.61																
		ODUF: Data Transmission (CONNECT:DIRECT), per message				N/A	\$0.0004																
		CENTRALIZED MESSAGE DISTRIBUTION SERVICE (CMDS)																					
		CMDS: Message Processing, per message				N/A	\$0.004																
		CMDS: Data Transmission (CONNECT:DIRECT), per message				N/A	\$0.001																
	Notes: If no rate is identified in the contract, the rate for the specific service or function will be as set forth in applicable BellSouth tariff or as negotiated by the Parties upon request by either Party.																						

BELLSOUTH / METROMEDIA FIBER NETWORK SERVICES RATES
ODUF/ADUF/CMDS
South Carolina

CATEGORY	NOTES	RATE ELEMENT	Interim	Zone	BCS	USOC	RATES					OSS RATES												
							Nonrecurring		Nonrecurring			Svc Order Submitted Elec per LSR	Svc Order Submitted Manually per LSR	Incremental Charge - Manual Svc Order vs. Electronic-1st	Incremental Charge - Manual Svc Order vs. Electronic-Add'l	Incremental Charge - Manual Svc Order vs. Electronic-Disc 1st	Incremental Charge - Manual Svc Order vs. Electronic-Disc Add'l							
							Rec	First	Add'l	First	Add'l													
							Rec	First	Add'l	First	Add'l	SOME C	SOMAN	SOMAN	SOMAN	SOMAN	SOMAN	SOMAN						
ODUF/EDOUF/ADUF/CMDS																								
		ACCESS DAILY USAGE FILE (ADUF)																						
		ADUF: Message Processing, per message				N/A	\$0.004																	
		ADUF: Data Transmission (CONNECT:DIRECT), per message				N/A	\$0.001																	
		OPTIONAL DAILY USAGE FILE (ODUF)																						
		ODUF: Recording, per message				N/A	\$0.0002862																	
		ODUF: Message Processing, per message				N/A	\$0.0032344																	
		ODUF: Message Processing, per Magnetic Tape provisioned				N/A	\$54.72																	
		ODUF: Data Transmission (CONNECT:DIRECT), per message				N/A	\$0.0000357																	
		CENTRALIZED MESSAGE DISTRIBUTION SERVICE (CMDS)																						
		CMDS: Message Processing, per message				N/A	\$0.004																	
		CMDS: Data Transmission (CONNECT:DIRECT), per message				N/A	\$0.001																	
	Notes: If no rate is identified in the contract, the rate for the specific service or function will be as set forth in applicable BellSouth tariff or as negotiated by the Parties upon request by either Party.																							

BELLSOUTH / METROMEDIA FIBER NETWORK SERVICES RATES
ODUF/ADUF/CMDS
Tennessee

CATEGORY	NOTES	RATE ELEMENT	Interim	Zone	BCS	USOC	RATES					OSS RATES										
							Nonrecurring		Nonrecurring		Svc Order Submitted Elec per LSR	Svc Order Submitted Manually per LSR	Incremental Charge - Manual Svc Order vs. Electronic-1st	Incremental Charge - Manual Svc Order vs. Electronic-Add'l	Incremental Charge - Manual Svc Order vs. Electronic-Disc 1st	Incremental Charge - Manual Svc Order vs. Electronic-Disc Add'l						
							Rec	First	First	Add'l							SOME C	SOMAN	SOMAN	SOMAN	SOMAN	SOMAN
							Rec	First	Add'l	First	Add'l	SOME C	SOMAN	SOMAN	SOMAN	SOMAN	SOMAN					
ODUF/EDOUF/ADUF/CMDS																						
		OPTIONAL DAILY USAGE FILE (ODUF)																				
		ODUF: Recording, per message				N/A	\$0.0000044															
		ODUF: Message Processing, per message				N/A	\$0.0027366															
		ODUF: Message Processing, per Magnetic Tape provisioned				N/A	\$52.75															
		ODUF: Data Transmission (CONNECT:DIRECT), per message				N/A	\$0.0000339															
Notes: If no rate is identified in the contract, the rate for the specific service or function will be as set forth in applicable BellSouth tariff or as negotiated by the Parties upon request by either Party.																						

Attachment 8

Rights-of-Way, Conduits and Pole Attachments

Rights-of-Way, Conduits and Pole Attachments

BellSouth will provide nondiscriminatory access to any pole, duct, conduit, or right-of-way owned or controlled by BellSouth pursuant to 47 U.S.C. § 224, as amended by the Act, pursuant to terms and conditions of a license agreement subsequently negotiated with BellSouth's Competitive Structure Provisioning Center.

ATTACHMENT 9

PERFORMANCE MEASUREMENTS

PERFORMANCE MEASUREMENTS

Upon a particular Commission's issuance of an Order pertaining to Performance Measurements in a proceeding expressly applicable to all CLECs generally, BellSouth shall implement in that state such Performance Measurements as of the date specified by the Commission.

AGREEMENT IMPLEMENTATION TEMPLATE (Residence)
for
 <<customer_name>>
BellSouth Standard Interconnection Agreement

Agreement Effective Date: <<effective_date>>	Agreement Expiration Date: <<expiration_date>>
Account Manager:	Account Manager Tel No:

Attachment Name/Number	Section Number	Version Date	Planned Activities
Terms/Conditions	1		
	2		
	3		
	4		
	5		
	6		
	7		
	8		
	9		
	10		
	11		
	12		
	13		
	14		
	15		
	16		
	17		
	18		
	19		
	20		
	21		
	22		
	23		
	24		
	25		
	26		
	27		
	28		

AGREEMENT IMPLEMENTATION TEMPLATE (Residence)
for
 <<customer_name>>
BellSouth Standard Interconnection Agreement

Attachment Name/Number	Section Number	Version Date	Planned Activities
	29		
	30		
	31		
	32		
	33		
	34		
1-Resale	1		
	2		
	3		
	4		
	5		
	6		
	7		
	8		
	9		
	10		
	11		
	12		
	Exhibit A		
	Exhibit B		
	Exhibit C		
	Exhibit D		
	Exhibit E		
	Exhibit F		
2-Network Elements & Other Svs	1		
	2		
	3		
	4		
	5		
	6		
	7		

AGREEMENT IMPLEMENTATION TEMPLATE (Residence)
for
 <<customer_name>>
BellSouth Standard Interconnection Agreement

Attachment Name/Number	Section Number	Version Date	Planned Activities
	8		
	9		
	10		
	11		
	12		
	13		
	Exhibit A		
	Exhibit B		
	Exhibit C		
3-Local Interconnection	1		
	2		
	3		
	4		
	5		
	6		
	7		
	8		
	9		
	Exhibit A		
	Exhibit B		
	Exhibit C		
	Exhibit D		
	Exhibit E		
4-Physical Collocation	C.O.		
	TN		
	Rem Site		
5-Access to Numbers/Num Portability	1		
	2		
	3		
	4		
	5		

AGREEMENT IMPLEMENTATION TEMPLATE (Residence)
for
 <<customer_name>>
BellSouth Standard Interconnection Agreement

Attachment Name/Number	Section Number	Version Date	Planned Activities
	Exhibit A		
6-Pre-Ordering, Ordering/ Provisioning/Maint/Repair	1		
	2		
	3		
7-Billing	1		
	2		
	3		
	4		
	5		
	Exhibit A		
8-ROW/Conduits/PoleAtt			
9-Perf Measurement			
10-Agrmt Implementation Template			
11-Disaster Recovery			
12-BFR/NBR Process			

AGREEMENT IMPLEMENTATION TEMPLATE (Business)
for
 <<customer_name>>
BellSouth Standard Interconnection Agreement

Agreement Effective Date:	Agreement Expiration Date:
Account Manager:	Account Manager Tel No:

Attachment Name	Section No.	Version Date	Planned Activities
Terms/Conditions	1		
	2		
	3		
	4		
	5		
	6		
	7		
	8		
	9		
	10		
	11		
	12		
	13		
	14		
	15		
	16		
	17		
	18		
	19		
	20		
	21		
	22		
	23		
	24		
	25		
	26		
	27		
	28		

AGREEMENT IMPLEMENTATION TEMPLATE (Business)
for
 <<customer_name>>
BellSouth Standard Interconnection Agreement

Attachment Name	Section No.	Version Date	Planned Activities
	29		
	30		
	31		
	32		
	33		
	34		
1-Resale	1		
	2		
	3		
	4		
	5		
	6		
	7		
	8		
	9		
	10		
	11		
	12		
	Exhibit A		
	Exhibit B		
	Exhibit C		
	Exhibit D		
	Exhibit E		
	Exhibit F		
2-Network Elements & Other Services	1		
	2		
	3		
	4		
	5		
	6		
	7		

AGREEMENT IMPLEMENTATION TEMPLATE (Business)
for
 <<customer_name>>
BellSouth Standard Interconnection Agreement

Attachment Name	Section No.	Version Date	Planned Activities
	8		
	9		
	10		
	11		
	12		
	13		
	Exhibit A		
	Exhibit B		
	Exhibit C		
3-Local Interconnection	1		
	2		
	3		
	4		
	5		
	6		
	7		
	8		
	9		
	Exhibit A		
	Exhibit B		
	Exhibit C		
	Exhibit D		
	Exhibit E		
4-Physical Collocation	C.O.		
	TN		
	Rem Site		
5-Access to Numbers/Num Portability	1		
	2		
	3		
	4		
	5		

AGREEMENT IMPLEMENTATION TEMPLATE (Business)
for
 <<customer_name>>
BellSouth Standard Interconnection Agreement

Attachment Name	Section No.	Version Date	Planned Activities
	Exhibit A		
6-Pre-Ord/Ord/Prov/Maint/ Repair	1		
	2		
	3		
7-Billing	1		
	2		
	3		
	4		
	5		
	Exhibit A		
8-ROW/Conduits/PoleAtt			
9-Perf Measurement			
10-Agmt Implementation Template			
11-Disaster Recovery Plan			
12-BFR/NBR Process			

Attachment 11

BellSouth Disaster Recovery Plan

CONTENTS

PAGE

1.0	Purpose	2
2.0	Single Point of Contact	2
3.0	Identifying the Problem	2
3.1	Site Control	3
3.2	Environmental Concerns	4
4.0	The Emergency Control Center (ECC)	4
5.0	Recovery Procedures	5
5.1	CLEC Outage	5
5.2	BellSouth Outage	5
5.2.1	Loss of Central Office	6
5.2.2	Loss of a Central Office with Serving Wire Center Functions	6
5.2.3	Loss of a Central Office with Tandem Functions	6
5.2.4	Loss of a Facility Hub	6
5.3	Combined Outage (CLEC and BellSouth Equipment)	7
6.0	T1 Identification Procedures	7
7.0	Acronyms	8

1.0 PURPOSE

In the unlikely event of a disaster occurring that affects BellSouth's long-term ability to deliver traffic to a Competitive Local Exchange Carrier (CLEC), general procedures have been developed to hasten the recovery process. Since each location is different and could be affected by an assortment of potential problems, a detailed recovery plan is impractical. However, in the process of reviewing recovery activities for specific locations, some basic procedures emerge that appear to be common in most cases.

These general procedures should apply to any disaster that affects the delivery of traffic for an extended time period. Each CLEC will be given the same consideration during an outage and service will be restored as quickly as possible.

This document will cover the basic recovery procedures that would apply to every CLEC.

2.0 SINGLE POINT OF CONTACT

When a problem is experienced, regardless of the severity, the BellSouth Network Management Center (NMC) will observe traffic anomalies and begin monitoring the situation. Controls will be appropriately applied to insure the sanity of BellSouth's network; and, in the event that a switch or facility node is lost, the NMC will attempt to circumvent the failure using available reroutes.

BellSouth's NMC will remain in control of the restoration efforts until the problem has been identified as being a long-term outage. At that time, the NMC will contact BellSouth's Emergency Control Center (ECC) and relinquish control of the recovery efforts. Even though the ECC may take charge of the situation, the NMC will continue to monitor the circumstances and restore traffic as soon as damaged network elements are revitalized.

The telephone number for the BellSouth Network Management Center in Atlanta, as published in Telcordia's National Network Management Directory, is 404-321-2516.

3.0 IDENTIFYING THE PROBLEM

During the early stages of problem detection, the NMC will be able to tell which CLECs are affected by the catastrophe. Further analysis and/or first hand observation will determine if the disaster has affected CLEC equipment only; BellSouth equipment only or a combination. The initial restoration activity will be largely determined by the equipment that is affected.

Once the nature of the disaster is determined and after verifying the cause of the problem, the NMC will initiate reroutes and/or transfers that are jointly agreed upon by the affected CLECs' Network Management Center and the BellSouth NMC. The type and percentage of controls used will depend upon available network capacity. Controls necessary to stabilize the situation will be invoked and the NMC will attempt to re-establish as much traffic as possible.

For long term outages, recovery efforts will be coordinated by the Emergency Control Center (ECC). Traffic controls will continue to be applied by the NMC until facilities are re-established. As equipment is made available for service, the ECC will instruct the NMC to begin removing the controls and allow traffic to resume.

3.1 SITE CONTROL

In the total loss of building use scenario, what likely exists will be a smoking pile of rubble. This rubble will contain many components that could be dangerous. It could also contain any personnel on the premises at the time of the disaster. For these reasons, the local fire marshal with the assistance of the police will control the site until the building is no longer a threat to surrounding properties and the companies have secured the site from the general public.

During this time, the majority owner of the building should be arranging for a demolition contractor to mobilize to the site with the primary objective of reaching the cable entrance facility for a damage assessment. The results of this assessment would then dictate immediate plans for restoration, both short term and permanent.

In a less catastrophic event, i.e., the building is still standing and the cable entrance facility is usable, the situation is more complex. The site will initially be controlled by local authorities until the threat to adjacent property has diminished. Once the site is returned to the control of the companies, the following events should occur.

An initial assessment of the main building infrastructure systems (mechanical, electrical, fire and life safety, elevators, and others) will establish building needs. Once these needs are determined, the majority owner should lead the building restoration efforts. There may be situations where the site will not be totally restored within the confines of the building. The companies must individually determine their needs and jointly assess the cost of permanent restoration to determine the overall plan of action.

Multiple restoration trailers from each company will result in the need for designated space and installation order. This layout and control is required to maximize the amount of restoration equipment that can be placed at the site, and the priority of placements.

Care must be taken in this planning to insure other restoration efforts have logistical access to the building. Major components of telephone and building equipment will need to be removed and replaced. A priority for this equipment must also be jointly established to facilitate overall site restoration. (Example: If the AC switchgear has sustained damage, this would be of the highest priority in order to regain power, lighting, and HVAC throughout the building.)

If the site will not accommodate the required restoration equipment, the companies would then need to quickly arrange with local authorities for street closures, rights of way or other possible options available.

3.2 ENVIRONMENTAL CONCERNS

In the worse case scenario, many environmental concerns must be addressed. Along with the police and fire marshal, the state environmental protection department will be on site to monitor the situation.

Items to be concerned with in a large central office building could include:

1. Emergency engine fuel supply. Damage to the standby equipment and the fuel handling equipment could have created "spill" conditions that have to be handled within state and federal regulations.
2. Asbestos containing materials that may be spread throughout the wreckage. Asbestos could be in many components of building, electrical, mechanical, outside plant distribution, and telephone systems.
3. Lead and acid. These materials could be present in potentially large quantities depending upon the extent of damage to the power room.
4. Mercury and other regulated compounds resident in telephone equipment.
5. Other compounds produced by the fire or heat.

Once a total loss event occurs at a large site, local authorities will control immediate clean up (water placed on the wreckage by the fire department) and site access.

At some point, the companies will become involved with local authorities in the overall planning associated with site clean up and restoration. Depending on the clean up approach taken, delays in the restoration of several hours to several days may occur.

In a less severe disaster, items listed above are more defined and can be addressed individually depending on the damage.

In each case, the majority owner should coordinate building and environmental restoration as well as maintain proper planning and site control.

4.0 THE EMERGENCY CONTROL CENTER (ECC)

The ECC is located in the Colonnade Building in Birmingham, Alabama. During an emergency, the ECC staff will convene a group of pre-selected experts to inventory the damage and initiate corrective actions. These experts have regional access to BellSouth's personnel and equipment and will assume control of the restoration activity anywhere in the nine-state area.

In the past, the ECC has been involved with restoration activities resulting from hurricanes, ice storms and floods. They have demonstrated their capabilities during these calamities as well as

during outages caused by human error or equipment failures. This group has an excellent record of restoring service as quickly as possible.

During a major disaster, the ECC may move emergency equipment to the affected location, direct recovery efforts of local personnel and coordinate service restoration activities with the CLECs. The ECC will attempt to restore service as quickly as possible using whatever means is available; leaving permanent solutions, such as the replacement of damaged buildings or equipment, for local personnel to administer.

Part of the ECC's responsibility, after temporary equipment is in place, is to support the NMC efforts to return service to the CLECs. Once service has been restored, the ECC will return control of the network to normal operational organizations. Any long-term changes required after service is restored will be made in an orderly fashion and will be conducted as normal activity.

5.0 RECOVERY PROCEDURES

The nature and severity of any disaster will influence the recovery procedures. One crucial factor in determining how BellSouth will proceed with restoration is whether or not BellSouth's equipment is incapacitated. Regardless of who's equipment is out of service, BellSouth will move as quickly as possible to aid with service recovery; however, the approach that will be taken may differ depending upon the location of the problem.

5.1 CLEC OUTAGE

For a problem limited to one CLEC (or a building with multiple CLECs), BellSouth has several options available for restoring service quickly. For those CLECs that have agreements with other CLECs, BellSouth can immediately start directing traffic to a provisional CLEC for completion. This alternative is dependent upon BellSouth having concurrence from the affected CLECs.

Whether or not the affected CLECs have requested a traffic transfer to another CLEC will not impact BellSouth's resolve to re-establish traffic to the original destination as quickly as possible.

5.2 BELLSOUTH OUTAGE

Because BellSouth's equipment has varying degrees of impact on the service provided to the CLECs, restoring service from damaged BellSouth equipment is different. The outage will probably impact a number of Carriers simultaneously. However, the ECC will be able to initiate immediate actions to correct the problem.

A disaster involving any of BellSouth's equipment locations could impact the CLECs, some more than others. A disaster at a Central Office (CO) would only impact the delivery of traffic to and from that one location, but the incident could affect many Carriers. If the Central Office is a Serving Wire Center (SWC), then traffic from the entire area to those Carriers served from that switch would also be impacted. If the switch functions as an Access Tandem, or there is a tandem in the building, traffic from every CO to every CLEC could be interrupted. A disaster that destroys a facility hub could disrupt various traffic flows, even though the switching equipment may be unaffected.

The NMC would be the first group to observe a problem involving BellSouth's equipment. Shortly after a disaster, the NMC will begin applying controls and finding re-routes for the

completion of as much traffic as possible. These reroutes may involve delivering traffic to alternate Carriers upon receiving approval from the CLECs involved. In some cases, changes in translations will be required. If the outage is caused by the destruction of equipment, then the ECC will assume control of the restoration.

5.2.1 Loss of a Central Office

When BellSouth loses a Central Office, the ECC will

- a) Place specialists and emergency equipment on notice;
- b) Inventory the damage to determine what equipment and/or functions are lost;
- c) Move containerized emergency equipment and facility equipment to the stricken area, if necessary;
- d) Begin reconnecting service for Hospitals, Police and other emergency agencies; and
- e) Begin restoring service to CLECs and other customers.

5.2.2 Loss of a Central Office with Serving Wire Center Functions

The loss of a Central Office that also serves as a Serving Wire Center (SWC) will be restored as described in section 5.2.1.

5.2.3 Loss of a Central Office with Tandem Functions

When BellSouth loses a Central Office building that serves as an Access Tandem and as a SWC, the ECC will

- a) Place specialists and emergency equipment on notice;
- b) Inventory the damage to determine what equipment and/or functions are lost;
- c) Move containerized emergency equipment and facility equipment to the stricken area, if necessary;
- d) Begin reconnecting service for Hospitals, Police and other emergency agencies;
- e) Re-direct as much traffic as possible to the alternate access tandem (if available) for delivery to those CLECs utilizing a different location as a SWC;
- f) Begin aggregating traffic to a location near the damaged building. From this location, begin re-establishing trunk groups to the CLECs for the delivery of traffic normally found on the direct trunk groups. (This aggregation point may be the alternate access tandem location or another CO on a primary facility route.)
- g) Begin restoring service to CLECs and other customers.

5.2.4 Loss of a Facility Hub

In the event that BellSouth loses a facility hub, the recovery process is much the same as above. Once the NMC has observed the problem and administered the appropriate controls, the ECC will assume authority for the repairs. The recovery effort will include

- a) Placing specialists and emergency equipment on notice;
- b) Inventorying the damage to determine what equipment and/or functions are lost;
- c) Moving containerized emergency equipment to the stricken area, if necessary;
- d) Reconnecting service for Hospitals, Police and other emergency agencies; and
- e) Restoring service to CLECs and other customers. If necessary, BellSouth will aggregate the traffic at another location and build temporary facilities. This alternative would be viable for a location that is destroyed and building repairs are required.

5.3 COMBINED OUTAGE (CLEC AND BELLSOUTH EQUIPMENT)

In some instances, a disaster may impact BellSouth's equipment as well as the CLECs'. This situation will be handled in much the same way as described in section 5.2.3. Since BellSouth and the CLECs will be utilizing temporary equipment, close coordination will be required.

6.0 T1 IDENTIFICATION PROCEDURES

During the restoration of service after a disaster, BellSouth may be forced to aggregate traffic for delivery to a CLEC. During this process, T1 traffic may be consolidated onto DS3s and may become unidentifiable to the Carrier. Because resources will be limited, BellSouth may be forced to "package" this traffic entirely differently than normally received by the CLECs. Therefore, a method for identifying the T1 traffic on the DS3s and providing the information to the Carriers is required.

7.0 ACRONYMS

- CO - Central Office (BellSouth)
- DS3 - Facility that carries 28 T1s (672 circuits)
- ECC - Emergency Control Center (BellSouth)
- CLEC - Competitive Local Exchange Carrier
- NMC - Network Management Center
- SWC - Serving Wire Center (BellSouth switch)
- T1 - Facility that carries 24 circuits

Hurricane Information

During a hurricane, BellSouth will make every effort to keep CLECs updated on the status of our network. Information centers will be set up throughout BellSouth Telecommunications. These centers are not intended to be used for escalations, but rather to keep the CLEC informed of network related issues, area damages and dispatch conditions, etc.

Hurricane-related information can also be found on line at http://www.interconnection.bellsouth.com/network/disaster/dis_resp.htm. Information concerning Mechanized Disaster Reports can also be found at this website by clicking on CURRENT MDR REPORTS or by going directly to <http://www.interconnection.bellsouth.com/network/disaster/mdrs.htm>.

BST Disaster Management Plan

BellSouth maintenance centers have geographical and redundant communication capabilities. In the event of a disaster removing any maintenance center from service another geographical center would assume maintenance responsibilities. The contact numbers will not change and the transfer will be transparent to the CLEC.

Attachment 12

Bona Fide Request and New Business Requests Process

BONA FIDE REQUEST AND NEW BUSINESS REQUESTS PROCESS

- 1.0 The Parties agree that <<customer_name>> is entitled to order any Network Element, Interconnection option, service option or Resale Service required to be made available by the Communications Act of 1934, as modified by the Telecommunications Act of 1996 (the “Act”), FCC requirements or State Commission requirements. <<customer_name>> also shall be permitted to request the development of new or revised facilities or service options which are not required by the Act. Procedures applicable to requesting the addition of such facilities or service options are specified in this Attachment 12.
- 2.0 Bona Fide Requests (“BFR”) are to be used when <<customer_name>> makes a request of BellSouth to provide a new or modified network element, interconnection option, or other service option pursuant to the Act that was not previously included in the Agreement. New Business Requests (“NBRs”) are to be used when <<customer_name>> makes a request of BellSouth to provide a new or custom capability or function to meet <<customer_name>>’s business needs that was not previously included in the Agreement. The BFR/NBR process is intended to facilitate the two-way exchange of information between <<customer_name>> and BellSouth, necessary for accurate processing of requests in a consistent and timely fashion.
- 3.0 A BFR shall be submitted in writing by <<customer_name>> and shall specifically identify the required service date, technical requirements, space requirements and/or such specifications that clearly define the request such that BellSouth has sufficient information to analyze and prepare a response. Such a request also shall include a <<customer_name>>’s designation of the request as being (i) pursuant to the Telecommunications Act of 1996 (i.e. a “BFR”) or (ii) pursuant to the needs of the business (i.e. a “NBR”). The request shall be sent to <<customer_name>>’s Account Executive.
- 4.0 <<customer_name>> may cancel a BFR or NBR at any time. If <<customer_name>> cancels the request more than three (3) business days after submitting it, <<customer_name>> shall pay BellSouth’s reasonable and demonstrable costs of processing and/or implementing the BFR or NBR up to the date of cancellation. If <<customer_name>> does not cancel a BFR or NBR, <<customer_name>> shall pay BellSouth’s reasonable and demonstrable costs of processing and implementing the request.
- 5.0 Within twenty-five (25) business days of its receipt of a BFR or NBR from <<customer_name>>, BellSouth shall respond to

<<customer_name>> by providing a preliminary analysis of such Interconnection, Network Element, or other facility or service option that is the subject of the BFR or NBR. The preliminary analysis shall confirm that BellSouth will either offer access to the Interconnection, Network Element, or other facility or service option, or provide an explanation of why it is not technically feasible and/or why the request does not qualify as an Interconnection, Network Element, or is not otherwise required to be provided under the Act.

- 6.0 If BellSouth determines that the Interconnection, Network Element, or other facility or service option that is the subject of the BFR is technically feasible, BellSouth shall propose a firm price and a detailed implementation plan within fifty (50) business days after receipt of the BFR. BellSouth may, but shall not be required to, provide a firm time and cost proposal for a NBR.
- 7.0 Within thirty (30) business days after its receipt of (i) a refusal of BellSouth to provide a BFR or NBR price quote, or (ii) the BFR or NBR price quote and implementation plan from BellSouth, <<customer_name>> must either confirm or cancel its order for such facility or service option. If it believes such quote is not consistent with the requirements of the Act, <<customer_name>> may at that time seek FCC or state Commission arbitration of its request, as appropriate. Any such arbitration applicable to Network Elements and/or Interconnection shall be conducted in accordance with standards prescribed in Section 252 of the Act.
- 8.0 Unless <<customer_name>> agrees otherwise, all prices shall be consistent with the pricing principles of the Act, FCC and/or the State Commission.
- 9.0 If either Party to a BFR or NBR believes that the other Party is not requesting, negotiating, or processing the Bona Fide Request in good faith, or disputes a determination, or price or cost quote, such Party may seek FCC or state Commission resolution of the dispute, as appropriate.
- 10.0 Upon agreement to the terms of a BFR or NBR, an amendment to the Agreement may be required.