

EXECUTIVE SUMMARY
of
Accutel of Texas. Inc.
BellSouth Standard Interconnection Agreement

| | |
|--|--|
| Agreement Effective Date: 08/11/2000 | Agreement Expiration Date: 08/10/2001 |
| OCN: | GAC: |
| CIC (if applicable): | ACNA: |
| Negotiator: Michael Willis | Negotiator Tel No: 404-927-8003 |
| Location of Executive Summary: t:\hendrix\ Michael/Signed/Accutel | Location of Interconnection Agreement: t:\hendrix\ Michael/Signed/Accutel |

| Attachment Name/Number | Section Number | Version Date | No Deviation | Deviation | Deviation Affect Compliance Y/N | If Compliance Item, Priority H/M/L | If Deviation, enter Paragraph No. And Brief Description of Deviation. If different by state, note here also. |
|-------------------------------|-----------------------|---------------------|---------------------|------------------|--|---|---|
| Terms/Conditions PartA | 1 | 3/6/00 | | X | N | | This is a 1 Year Agreement |
| | 2 | 3/6/00 | X | | | | |
| | 3 | 3/6/00 | X | | | | |
| | 4 | 3/6/00 | X | | | | |
| | 5 | 3/6/00 | X | | | | |
| | 6 | 3/6/00 | X | | | | |
| | 7 | 3/6/00 | X | | | | |
| | 8 | 3/6/00 | X | | | | |
| | 9 | 3/6/00 | X | | | | |
| | 10 | 3/6/00 | X | | | | |
| | 11 | 3/6/00 | X | | | | |
| | 12 | 3/6/00 | X | | | | |
| | 13 | 3/6/00 | X | | | | |
| | 14 | 3/6/00 | X | | | | |
| | 15 | 3/6/00 | X | | | | |
| | 16 | 3/6/00 | X | | | | |
| | 17 | 3/6/00 | X | | | | |
| | 18 | 3/6/00 | X | | | | |
| | 19 | 3/6/00 | X | | | | |

Version1Q00

EXECUTIVE SUMMARY
of
Accutel of Texas. Inc.
BellSouth Standard Interconnection Agreement

| Attachment Name/Number | Section Number | Version Date | No Deviation | Deviation | Deviation Affect Compliance Y/N | If Compliance Item, Priority H/M/L | If Deviation, enter Paragraph No. And Brief Description of Deviation. If different by state, note here also. |
|-------------------------------|-----------------------|---------------------|---------------------|------------------|--|---|---|
| | 20 | 3/6/00 | X | | | | |
| | 21 | 3/6/00 | X | | | | |
| | 22 | 3/6/00 | X | | | | |
| | 23 | 3/6/00 | X | | | | |
| | 24 | 3/6/00 | X | | | | |
| | 25 | 3/6/00 | X | | | | |
| | 26 | 3/6/00 | X | | | | |
| Terms/Conditions Part B | | 3/6/00 | X | | | | |
| 1-Resale | 1 | 6/2/00 | X | | | | |
| | 2 | 6/2/00 | X | | | | |
| | 3 | 6/2/00 | X | | | | |
| | 4 | 6/2/00 | X | | | | |
| | 5 | 6/2/00 | X | | | | |
| | 6 | 6/2/00 | X | | | | |
| | 7 | 6/2/00 | X | | | | |
| | 8 | 6/2/00 | X | | | | |
| | 9 | 6/2/00 | X | | | | |
| | 10 | 6/2/00 | X | | | | |
| | 11 | 6/2/00 | X | | | | |
| | 12 | 6/2/00 | X | | | | |
| | | | X | | | | |
| | Exhibit A | 6/2/00 | X | | | | |
| | Exhibit B | 6/2/00 | X | | | | |
| | Exhibit C | 6/2/00 | X | | | | |
| | Exhibit D | 6/2/00 | X | | | | |
| | Exhibit E | 6/2/00 | X | | | | |
| | Exhibit F | 6/2/00 | X | | | | |

EXECUTIVE SUMMARY
of
Accutel of Texas. Inc.
BellSouth Standard Interconnection Agreement

| Attachment Name/Number | Section Number | Version Date | No Deviation | Deviation | Deviation Affect Compliance Y/N | If Compliance Item, Priority H/M/L | If Deviation, enter Paragraph No. And Brief Description of Deviation. If different by state, note here also. |
|-------------------------------------|-----------------------|---------------------|---------------------|------------------|--|---|---|
| | Exhibit G | 6/2/00 | X | | | | |
| | | 6/2/00 | X | | | | |
| 2-Network Elements & Other Services | 1 | 3/6/00 | X | | | | |
| | 2 | 3/6/00 | X | | | | |
| | 3 | 3/6/00 | X | | | | |
| | 4 | 3/6/00 | X | | | | |
| | 5 | 3/6/00 | X | | | | |
| | 6 | 3/6/00 | X | | | | |
| | 7 | 3/6/00 | X | | | | |
| | 8 | 3/6/00 | X | | | | |
| | 9 | 3/6/00 | X | | | | |
| | 10 | 3/6/00 | X | | | | |
| | 11 | 3/6/00 | X | | | | |
| | 12 | 3/6/00 | X | | | | |
| | 13 | 3/6/00 | X | | | | |
| | Exhibit A | 3/6/00 | X | | | | |
| | Exhibit B | 3/6/00 | X | | | | |
| | Exhibit C | 6/5/00 | X | | | | |
| 3-Local Interconnection | 1 | 3/6/00 | X | | | | |
| | 2 | 3/6/00 | X | | | | |
| | 3 | 3/6/00 | X | | | | |
| | 4 | 3/6/00 | X | | | | |
| | 5 | 3/6/00 | X | | | | |
| | 6 | 3/6/00 | X | | | | |
| | 7 | 3/6/00 | X | | | | |
| | 8 | 3/6/00 | X | | | | |

EXECUTIVE SUMMARY
of
Accutel of Texas. Inc.
BellSouth Standard Interconnection Agreement

| Attachment Name/Number | Section Number | Version Date | No Deviation | Deviation | Deviation Affect Compliance Y/N | If Compliance Item, Priority H/M/L | If Deviation, enter Paragraph No. And Brief Description of Deviation. If different by state, note here also. |
|--|-----------------------|---------------------|---------------------|------------------|--|---|---|
| | Exhibit A | 3/6/00 | X | | | | |
| | Exhibit B | 3/6/00 | X | | | | |
| | Exhibit C | 3/6/00 | X | | | | |
| | Exhibit D | 3/6/00 | X | | | | |
| | Exhibit E | 3/6/00 | X | | | | |
| | | 3/6/00 | X | | | | |
| 4-Physical Collocation | 1 | 5/9/00 | X | | | | |
| | 2 | 5/9/00 | X | | | | |
| | 3 | 5/9/00 | X | | | | |
| | 4 | 5/9/00 | X | | | | |
| | 5 | 5/9/00 | X | | | | |
| | 6 | 5/9/00 | X | | | | |
| | 7 | 5/9/00 | X | | | | |
| | 8 | 5/9/00 | X | | | | |
| | 9 | 5/9/00 | X | | | | |
| | 10 | 5/9/00 | X | | | | |
| | 11 | 5/9/00 | X | | | | |
| | 12 | 5/9/00 | X | | | | |
| | 13 | 5/9/00 | X | | | | |
| | 14 | 5/9/00 | X | | | | |
| | Exhibit A | 5/9/00 | X | | | | |
| | Exhibit B | 5/9/00 | X | | | | |
| 5-Access to Numbers & Number Portability | 1 | 3/6/00 | X | | | | |
| | 2 | 3/6/00 | X | | | | |
| | 3 | 3/6/00 | X | | | | |
| | 4 | 3/6/00 | X | | | | |

EXECUTIVE SUMMARY
of
Accutel of Texas. Inc.
BellSouth Standard Interconnection Agreement

| Attachment Name/Number | Section Number | Version Date | No Deviation | Deviation | Deviation Affect Compliance Y/N | If Compliance Item, Priority H/M/L | If Deviation, enter Paragraph No. And Brief Description of Deviation. If different by state, note here also. |
|--|-------------------------------|---------------------|---------------------|------------------|--|---|---|
| | 5 | 3/6/00 | X | | | | |
| | 6 | 3/6/00 | X | | | | |
| | 7 | 3/6/00 | X | | | | |
| | Exhibit A | 3/6/00 | X | | | | |
| 6-Ordering/Provisioning | 1 | 3/6/00 | X | | | | |
| | 2 | 3/6/00 | X | | | | |
| | 3 | 3/6/00 | X | | | | |
| 7-Billing & Billing Accuracy Certification | 1 | 3/6/00 | X | | | | |
| | 2 | 3/6/00 | X | | | | |
| | 3 | 3/6/00 | X | | | | |
| | 4 | 3/6/00 | X | | | | |
| | 5 | 3/6/00 | X | | | | |
| | 6 | 3/6/00 | X | | | | |
| | 7 | 3/6/00 | X | | | | |
| | Exhibit A | 3/6/00 | X | | | | |
| 8-ROW/Conduits/PoleAtt | 1 | 3/6/00 | X | | | | |
| 9-Perf Measurement | Scope | 3/6/00 | X | | | | |
| | Reporting | 3/6/00 | X | | | | |
| | Modifications to Measurements | 3/6/00 | X | | | | |
| | Enforcement Mechanisms | 3/6/00 | X | | | | |
| | Appendix A | 3/6/00 | X | | | | |
| | Appendix B | 3/6/00 | X | | | | |
| | Appendix C | 3/6/00 | X | | | | |

EXECUTIVE SUMMARY
of
Accutel of Texas. Inc.
BellSouth Standard Interconnection Agreement

| Attachment Name/Number | Section Number | Version Date | No Deviation | Deviation | Deviation Affect Compliance Y/N | If Compliance Item, Priority H/M/L | If Deviation, enter Paragraph No. And Brief Description of Deviation. If different by state, note here also. |
|---|-----------------------|---------------------|---------------------|------------------|--|---|---|
| | Appendix D | 3/6/00 | X | | | | |
| | Appendix E | 3/6/00 | X | | | | |
| Attachment 10 – Agreement Template | | 3/6/00 | X | | | | |
| Attachment 11- BellSouth Disaster Recovery Plan | | 3/6/00 | X | | | | |

**AGREEMENT
BETWEEN
BELLSOUTH TELECOMMUNICATIONS INC.
AND
ACCUTEL OF TEXAS, INC.**

TABLE OF CONTENTS

General Terms and Conditions

Part A

1. Purpose
2. Term of the Agreement
3. Ordering Procedures
4. Parity
5. White Pages Listings
6. Bona Fide Request/New Business Request Process for Further Unbundling
7. Court Ordered Requests for Call Detail Records and Other Subscriber Information
8. Liability and Indemnification
9. Intellectual Property Rights and Indemnification
10. Treatment of Proprietary and Confidential Information
11. Assignments
12. Resolution of Disputes
13. Taxes
14. Force Majeure
15. Year 2000 Compliance
16. Modification of Agreement
17. Waivers
18. Governing Law
19. Arm's Length Negotiations
20. Notices
21. Rule of Construction
22. Headings of No Force or Effect
23. Multiple Counterparts
24. Implementation of Agreement
25. Filing of Agreement
26. Entire Agreement

Part B - Definitions

Attachment 1 - Resale

Attachment 2 - Network Elements and Other Services

Attachment 3 - Network Interconnection

Attachment 4 - Physical Collocation

Attachment 5 - Access to Numbers and Number Portability

Attachment 6 - Ordering and Provisioning

Attachment 7 - Billing and Billing Accuracy Certification

Attachment 8 - Rights-of-Way, Conduits and Pole Attachments

Attachment 9 - Performance Measurements

Attachment 10- Agreement Implementation Template

Attachment 11- BellSouth Disaster Recovery Plan

AGREEMENT

THIS AGREEMENT is made by and between BellSouth Telecommunications, Inc., (“BellSouth”), a Georgia corporation, and Accutel of Texas, Inc., (“Accutel”) a Texas corporation, and shall be deemed effective as of August 11, 2000. This Agreement may refer to either BellSouth or Accutel or both as a “Party” or “Parties.”

WITNESSETH

WHEREAS, BellSouth is a local exchange telecommunications company authorized to provide telecommunications services in the states of Alabama, Florida, Georgia, Kentucky, Louisiana, Mississippi, North Carolina, South Carolina and Tennessee; and

WHEREAS, Accutel is or seeks to become an alternative local exchange telecommunications company (“CLEC”) authorized to provide telecommunications services in the states of Alabama, Florida, Georgia, Kentucky, Louisiana, Mississippi, North Carolina, South Carolina, and Tennessee; and

WHEREAS, the Parties wish to resell BellSouth’s telecommunications services and/or interconnect their facilities, purchase network elements and other services, and exchange traffic specifically for the purposes of fulfilling their obligations pursuant to sections 251 and 252 of the Telecommunications Act of 1996 (“the Act”).

NOW THEREFORE, in consideration of the mutual agreements contained herein, BellSouth and Accutel agree as follows:

1. Purpose

The Parties agree that the rates, terms and conditions contained within this Agreement, including all Attachments, comply and conform with each Parties' obligations under sections 251 and 252 of the Act. The resale, access and interconnection obligations contained herein enable Accutel to provide competing telephone exchange service to residential and business subscribers within the territory of BellSouth. The Parties agree that Accutel will not be considered to have offered telecommunications services to the public in any state within BellSouth’s region until such time as it has ordered services for resale or interconnection facilities for the purposes of providing business and/or residential local exchange service to customers.

2. Term of the Agreement

- 2.1 The term of this Agreement shall be one years, beginning August 11, 2000 and shall apply to the state(s) of Alabama, Georgia, Florida, Kentucky, Louisiana, Mississippi, North Carolina, South Carolina, and Tennessee. If as of the expiration of this Agreement, a Subsequent Agreement (as defined in Section 2.2 below) has not been executed by the Parties, this Agreement shall continue on a month-to-month basis while a Subsequent Agreement is being negotiated. The Parties' rights and obligations with respect to this Agreement after expiration shall be as set forth in Section 2.4 below.
- 2.2 The Parties agree that by no later than one hundred and eighty (180) days prior to the expiration of this Agreement, they shall commence negotiations with regard to the terms, conditions and prices of resale and/or local interconnection to be effective beginning on the expiration date of this Agreement ("Subsequent Agreement").
- 2.3 If, within one hundred and thirty-five (135) days of commencing the negotiation referred to in Section 2.2 above, the Parties are unable to satisfactorily negotiate new resale and/or local interconnection terms, conditions and prices, either Party may petition the Commission to establish appropriate local interconnection and/or resale arrangements pursuant to 47 U.S.C. 252. The Parties agree that, in such event, they shall encourage the Commission to issue its order regarding the appropriate local interconnection and/or resale arrangements no later than the expiration date of this Agreement. The Parties further agree that in the event the Commission does not issue its order prior to the expiration date of this Agreement, or if the Parties continue beyond the expiration date of this Agreement to negotiate the local interconnection and/or resale arrangements without Commission intervention, the terms, conditions and prices ultimately ordered by the Commission, or negotiated by the Parties, will be effective retroactive to the day following the expiration date of this Agreement.
- 2.4 Notwithstanding the foregoing, in the event that as of the date of expiration of this Agreement and conversion of this Agreement to a month-to-month term, the Parties have not entered into a Subsequent Agreement and either no arbitration proceeding has been filed in accordance with Section 2.3 above, or the Parties have not mutually agreed (where permissible) to extend the arbitration window for petitioning the applicable Commission(s) for resolution of those terms upon which the Parties have not agreed, then either Party may terminate this Agreement upon sixty (60) days notice to the other Party. In the event that BellSouth terminates this Agreement as provided above, BellSouth shall continue to offer services to Accutel pursuant to the terms, conditions and rates set forth in BellSouth's Statement of Generally Available Terms (SGAT) to the extent an SGAT has been approved by the applicable Commission(s). If any state Commission has not approved a BellSouth SGAT, then upon BellSouth's termination of this Agreement as provided herein, BellSouth will continue to

provide services to Accutel pursuant to BellSouth's then current standard interconnection agreement. In the event that the SGAT or BellSouth's standard interconnection agreement becomes effective as between the Parties, the Parties may continue to negotiate a Subsequent Agreement, and the terms of such Subsequent Agreement shall be effective retroactive to the day following expiration of this Agreement.

3. Ordering Procedures

- 3.1 Accutel shall provide BellSouth its Carrier Identification Code (CIC), Operating Company Number (OCN), Group Access Code (GAC) and Access Customer Name and Address (ACNA) code as applicable prior to placing its first order.
- 3.2 The Parties agree to adhere to the BellSouth Local Interconnection and Facility Based Ordering Guide and Resale Ordering Guide, as appropriate for the services ordered.
- 3.3 Accutel shall pay charges for Operational Support Systems (OSS) as set forth in this Agreement in Attachment 1 and/or in Attachment 2, 3, 5 and 7 as applicable.

4. Parity

When Accutel purchases, pursuant to Attachment 1 of this Agreement, telecommunications services from BellSouth for the purposes of resale to end users, BellSouth shall provide said services so that the services are equal in quality, subject to the same conditions, and provided within the same provisioning time intervals that BellSouth provides to its affiliates, subsidiaries and end users. To the extent technically feasible, the quality of a Network Element, as well as the quality of the access to such Network Element provided by BellSouth to Accutel shall be at least equal in quality to that which BellSouth provides to itself. The quality of the interconnection between the networks of BellSouth and the network of Accutel shall be at a level that is equal to that which BellSouth provides itself, a subsidiary, an Affiliate, or any other party. The interconnection facilities shall be designed to meet the same technical criteria and service standards that are used within BellSouth's network and shall extend to a consideration of service quality as perceived by end users and service quality as perceived by Accutel.

5. White Pages Listings

BellSouth shall provide Accutel and their customers access to white pages directory listings under the following terms:

- 5.1 Listings. Accutel shall provide all new, changed and deleted listings on a timely basis and BellSouth or its agent will include Accutel residential and business customer listings in the appropriate White Pages (residential and business) or

alphabetical directories. Directory listings will make no distinction between Accutel and BellSouth subscribers.

- 5.2 Rates. BellSouth and Accutel will provide to each other subscriber primary listing information in the White Pages for a non-recurring charge.
- 5.3 Procedures for Submitting Accutel Subscriber Information are found in BellSouth's Ordering Guide for manually processed listings and in the Local Exchange Ordering Guide for mechanically submitted listings.
- 5.3.1 Notwithstanding any provision(s) to the contrary, Accutel agrees to provide to BellSouth, and BellSouth agrees to accept, Accutel's Subscriber Listing Information (SLI) relating to Accutel's customers in the geographic area(s) covered by this Interconnection Agreement. Accutel authorizes BellSouth to release all such Accutel SLI provided to BellSouth by Accutel to qualifying third parties via either license agreement or BellSouth's Directory Publishers Database Service (DPDS), General Subscriber Services Tariff, Section A38.2, as the same may be amended from time to time. Such CLEC SLI shall be intermingled with BellSouth's own customer listings of any other CLEC that has authorized a similar release of SLI. Where necessary, BellSouth will use good faith efforts to obtain state commission approval of any necessary modifications to Section A38.2 of its tariff to provide for release of third party directory listings, including modifications regarding listings to be released pursuant to such tariff and BellSouth's liability thereunder. BellSouth's obligation pursuant to this Section shall not arise in any particular state until the commission of such state has approved modifications to such tariff.
- 5.3.2 No compensation shall be paid to Accutel for BellSouth's receipt of Accutel SLI, or for the subsequent release to third parties of such SLI. In addition, to the extent BellSouth incurs costs to modify its systems to enable the release of CLEC's SLI, or costs on an ongoing basis to administer the release of Accutel SLI, Accutel shall pay to BellSouth its proportionate share of the reasonable costs associated therewith.
- 5.3.3 BellSouth shall not be liable for the content or accuracy of any SLI provided by Accutel under this Agreement. Accutel shall indemnify, hold harmless and defend BellSouth from and against any damages, losses, liabilities, demands, claims, suits, judgments, costs and expenses (including but not limited to reasonable attorneys' fees and expenses) arising from BellSouth's tariff obligations or otherwise and resulting from or arising out of any third party's claim of inaccurate Accutel listings or use of the SLI provided pursuant to this Agreement. BellSouth shall forward to Accutel any complaints received by BellSouth relating to the accuracy or quality of Accutel listings.
- 5.3.4 Listings and subsequent updates will be released consistent with BellSouth system changes and/or update scheduling requirements.

- 5.4 Unlisted/Non-Published Subscribers. Accutel will be required to provide to BellSouth the names, addresses and telephone numbers of all Accutel customers that wish to be omitted from directories.
- 5.5 Inclusion of Accutel Customers in Directory Assistance Database. BellSouth will include and maintain Accutel subscriber listings in BellSouth's Directory Assistance databases at no recurring charge and Accutel shall provide such Directory Assistance listings at no recurring charge. BellSouth and Accutel will formulate appropriate procedures regarding lead-time, timeliness, format and content of listing information.
- 5.6 Listing Information Confidentiality. BellSouth will accord Accutel's directory listing information the same level of confidentiality that BellSouth accords its own directory listing information, and BellSouth shall limit access to Accutel's customer proprietary confidential directory information to those BellSouth employees who are involved in the preparation of listings.
- 5.7 Optional Listings. Additional listings and optional listings will be offered by BellSouth at tariffed rates as set forth in the General Subscriber Services Tariff.
- 5.8 Delivery. BellSouth or its agent shall deliver White Pages directories to Accutel subscribers at no charge or as specified in a separate BAPCO agreement.

6. Bona Fide Request/New Business Request Process for Further Unbundling

If Accutel is a facilities based provider or a facilities based and resale provider, this section shall apply. BellSouth shall, upon request of Accutel, provide to Accutel access to its network elements at any technically feasible point for the provision of Accutel's telecommunications service where such access is necessary and failure to provide access would impair the ability of Accutel to provide services that it seeks to offer. Any request by Accutel for access to a network element, interconnection option, or for the provisioning of any service or product that is not already available shall be treated as a Bona Fide Request/New Business Request, and shall be submitted to BellSouth pursuant to the Bona Fide Request/New Business Request process set forth following.

- 6.1 A Bona Fide Request/New Business Request shall be submitted in writing to Accutel's Account Manager by Accutel and shall specifically identify the requested service date, technical requirements, space requirements and/or such specifications that clearly define the request such that BellSouth has sufficient information to analyze and prepare a response. Such a request also shall include Accutel's designation of the request as being (i) pursuant to the Telecommunications Act of 1996 or (ii) pursuant to the needs of the business.

7. Court Ordered Requests for Call Detail Records and Other Subscriber Information

7.1 To the extent technically feasible, BellSouth maintains call detail records for Accutel end users for limited time periods and can respond to subpoenas and court ordered requests for this information. BellSouth shall maintain such information for Accutel end users for the same length of time it maintains such information for its own end users.

7.2 Accutel agrees that BellSouth will respond to subpoenas and court ordered requests delivered directly to BellSouth for the purpose of providing call detail records when the targeted telephone numbers belong to Accutel end users. Billing for such requests will be generated by BellSouth and directed to the law enforcement agency initiating the request.

7.3 Where BellSouth is providing to Accutel telecommunications services for resale or providing to Accutel the local switching function, then Accutel agrees that in those cases where Accutel receives subpoenas or court ordered requests regarding targeted telephone numbers belonging to Accutel end users, if Accutel does not have the requested information, Accutel will advise the law enforcement agency initiating the request to redirect the subpoena or court ordered request to BellSouth. Where the request has been forwarded to BellSouth, billing for call detail information will be generated by BellSouth and directed to the law enforcement agency initiating the request.

7.4 In all other instances, Accutel will provide Accutel end user and/or other customer information that is available to Accutel in response to subpoenas and court orders for their own customer records. When BellSouth receives subpoenas or court ordered requests regarding targeted telephone numbers belonging to Accutel end users, BellSouth will advise the law enforcement agency initiating the request to redirect the subpoena or court ordered request to Accutel.

8. Liability and Indemnification

8.1 BellSouth Liability. BellSouth shall take financial responsibility for its own actions in causing, or its lack of action in preventing, unbillable or uncollectible Accutel revenues.

8.2 Accutel Liability. In the event that Accutel consists of two (2) or more separate entities as set forth in the preamble to this Agreement, all such entities shall be jointly and severally liable for the obligations of Accutel under this Agreement.

8.3 Liability for Acts or Omissions of Third Parties. Neither BellSouth nor Accutel shall be liable for any act or omission of another telecommunications company providing a portion of the services provided under this Agreement.

8.4 Limitation of Liability.

8.4.1 Each Party's liability to the other for any loss, cost, claim, injury or liability or expense, including reasonable attorney's fees relating to or arising out of any negligent act or omission in its performance of this Agreement whether in contract or in tort, shall be limited to a credit for the actual cost of the services or functions not performed or improperly performed.

8.4.2 Limitations in Tariffs. A Party may, in its sole discretion, provide in its tariffs and contracts with its Customer and third parties that relate to any service, product or function provided or contemplated under this Agreement, that to the maximum extent permitted by Applicable Law, such Party shall not be liable to Customer or third Party for (i) any Loss relating to or arising out of this Agreement, whether in contract, tort or otherwise, that exceeds the amount such Party would have charged that applicable person for the service, product or function that gave rise to such Loss and (ii) Consequential Damages. To the extent that a Party elects not to place in its tariffs or contracts such limitations of liability, and the other Party incurs a Loss as a result thereof, such Party shall indemnify and reimburse the other Party for that portion of the Loss that would have been limited had the first Party included in its tariffs and contracts the limitations of liability that such other Party included in its own tariffs at the time of such Loss.

8.4.3 Neither BellSouth nor Accutel shall be liable for damages to the other's terminal location, POI or other company's customers' premises resulting from the furnishing of a service, including, but not limited to, the installation and removal of equipment or associated wiring, except to the extent caused by a company's negligence or willful misconduct or by a company's failure to properly ground a local loop after disconnection.

8.4.4 Under no circumstance shall a Party be responsible or liable for indirect, incidental, or consequential damages, including, but not limited to, economic loss or lost business or profits, damages arising from the use or performance of equipment or software, or the loss of use of software or equipment, or accessories attached thereto, delay, error, or loss of data. In connection with this limitation of liability, each Party recognizes that the other Party may, from time to time, provide advice, make recommendations, or supply other analyses related to the Services, or facilities described in this Agreement, and, while each Party shall use diligent efforts in this regard, the Parties acknowledge and agree that this limitation of liability shall apply to provision of such advice, recommendations, and analyses.

8.5 Indemnification for Certain Claims. The Party providing services hereunder, its affiliates and its parent company, shall be indemnified, defended and held harmless by the Party receiving services hereunder against any claim, loss or damage arising from the receiving company's use of the services provided under this Agreement pertaining to (1) claims for libel, slander or invasion of privacy

arising from the content of the receiving company's own communications, or (2) any claim, loss or damage claimed by the customer of the Party receiving services arising from such company's use or reliance on the providing company's services, actions, duties, or obligations arising out of this Agreement.

8.6 Disclaimer. EXCEPT AS SPECIFICALLY PROVIDED TO THE CONTRARY IN THIS AGREEMENT, NEITHER PARTY MAKES ANY REPRESENTATIONS OR WARRANTIES TO THE OTHER PARTY CONCERNING THE SPECIFIC QUALITY OF ANY SERVICES, OR FACILITIES PROVIDED UNDER THIS AGREEMENT. THE PARTIES DISCLAIM, WITHOUT LIMITATION, ANY WARRANTY OR GUARANTEE OF MERCHANTABILITY OR FITNESS FOR A PARTICULAR PURPOSE, ARISING FROM COURSE OF PERFORMANCE, COURSE OF DEALING, OR FROM USAGES OF TRADE.

9. **Intellectual Property Rights and Indemnification**

9.1 No License. No patent, copyright, trademark or other proprietary right is licensed, granted or otherwise transferred by this Agreement. Accutel is strictly prohibited from any use, including but not limited to in sales, in marketing or advertising of telecommunications services, of any BellSouth name, service mark or trademark.

9.2 Ownership of Intellectual Property. Any intellectual property which originates from or is developed by a Party shall remain in the exclusive ownership of that Party. Except for a limited license to use patents or copyrights to the extent necessary for the Parties to use any facilities or equipment (including software) or to receive any service solely as provided under this Agreement, no license in patent, copyright, trademark or trade secret, or other proprietary or intellectual property right now or hereafter owned, controlled or licensable by a Party, is granted to the other Party or shall be implied or arise by estoppel. It is the responsibility of each Party to ensure at no additional cost to the other Party that it has obtained any necessary licenses in relation to intellectual property of third Parties used in its network that may be required to enable the other Party to use any facilities or equipment (including software), to receive any service, or to perform its respective obligations under this Agreement.

9.3 Indemnification. The Party providing a service pursuant to this Agreement will defend the Party receiving such service or data provided as a result of such service against claims of infringement arising solely from the use by the receiving Party of such service and will indemnify the receiving Party for any damages awarded based solely on such claims in accordance with Section 8 of this Agreement.

9.4 Claim of Infringement. In the event that use of any facilities or equipment (including software), becomes, or in reasonable judgment of the Party who owns the affected network is likely to become, the subject of a claim, action, suit, or

proceeding based on intellectual property infringement, then said Party shall promptly and at its sole expense, but subject to the limitations of liability set forth below:

- 9.4.1 modify or replace the applicable facilities or equipment (including software) while maintaining form and function, or
- 9.4.2 obtain a license sufficient to allow such use to continue.
- 9.4.3 In the event 9.4.1 or 9.4.2 are commercially unreasonable, then said Party may, terminate, upon reasonable notice, this contract with respect to use of, or services provided through use of, the affected facilities or equipment (including software), but solely to the extent required to avoid the infringement claim.
- 9.5 Exception to Obligations. Neither Party's obligations under this Section shall apply to the extent the infringement is caused by: (i) modification of the facilities or equipment (including software) by the indemnitee; (ii) use by the indemnitee of the facilities or equipment (including software) in combination with equipment or facilities (including software) not provided or authorized by the indemnitor provided the facilities or equipment (including software) would not be infringing if used alone; (iii) conformance to specifications of the indemnitee which would necessarily result in infringement; or (iv) continued use by the indemnitee of the affected facilities or equipment (including software) after being placed on notice to discontinue use as set forth herein.
- 9.6 Exclusive Remedy. The foregoing shall constitute the Parties' sole and exclusive remedies and obligations with respect to a third party claim of intellectual property infringement arising out of the conduct of business under this Agreement.

10. Proprietary and Confidential Information

- 10.1 Proprietary and Confidential Information: Defined. It may be necessary for BellSouth and Accutel, each as the “Discloser,” to provide to the other party, as “Recipient,” certain proprietary and confidential information(including trade secret information) including but not limited to technical, financial, marketing, staffing and business plans and information, strategic information, , proposals, request for proposals, specifications, drawings, prices, costs, procedures, processes, business systems, software programs, techniques, customer account data, call detail records and like information (collectively the Discloser’s “Information”). All Information shall be provided to Recipient in written or other tangible or electronic form, clearly marked with a confidential and, proprietary notice . Information orally or visually provided to Recipient must be designated by Discloser as confidential and proprietary at the time of such disclosure and must be reduced to writing marked with a confidential and

proprietary notice and provided to Recipient within thirty (30) calendar days after such oral or visual disclosure.

- 10.2 Use and Protection of Information. Recipient shall use the Information solely for the purpose(s) of performing this Agreement, and Recipient shall protect Information from any use, distribution or disclosure except as permitted hereunder. Recipient will use the same standard of care to protect Information as Recipient uses to protect its own similar confidential and proprietary information, but not less than a reasonable standard of care. Recipient may disclose Information solely to the Authorized Representatives of the Recipient who (a) have a substantive need to know such Information in connection with performance of the Agreement; (b) have been advised of the confidential and proprietary nature of the Information; and (c) have personally agreed in writing to protect from unauthorized disclosure all confidential and proprietary information, of whatever source, to which they have access in the course of their employment. “Authorized Representatives” are the officers, directors and employees of Recipient and its Affiliates, as well as Recipient’s and its Affiliates’ consultants, contractors, counsel and agents. “Affiliates” means any company that is owned in whole or in part, now or in the future, directly or indirectly through a subsidiary, by a party hereto.
- 10.3 Ownership, Copying & Return of Information. Information remains at all times the property of Discloser. Recipient may make tangible or electronic copies, notes, summaries or extracts of Information only as necessary for use as authorized herein. All such tangible or electronic copies, notes, summaries or extracts must be marked with the same confidential and proprietary notice as appears on the original. Upon Discloser’s request, all or any requested portion of the Information (including, but not limited to, tangible and electronic copies, notes, summaries or extracts of any information) will be promptly returned to Discloser or destroyed, and Recipient will provide Discloser with written certification stating that such Information has been returned or destroyed.
- 10.4 Exceptions. Discloser’s Information does not include: (a) any information publicly disclosed by Discloser; (b) any information Discloser in writing authorizes Recipient to disclose without restriction; (c) any information already lawfully known to Recipient at the time it is disclosed by the Discloser, without an obligation to keep confidential; or (d) any information Recipient lawfully obtains from any source other than Discloser, provided that such source lawfully disclosed and/or independently developed such information. If Recipient is required to provide Information to any court or government agency pursuant to written court order, subpoena, regulation or process of law, Recipient must first provide Discloser with prompt written notice of such requirement and cooperate with Discloser to appropriately protect against or limit the scope of such disclosure. To the fullest extent permitted by law, Recipient will continue to protect as confidential and proprietary all Information disclosed in response to a written court order, subpoena, regulation or process of law.

- 10.5 Equitable Relief. Recipient acknowledges and agrees that any breach or threatened breach of this Agreement is likely to cause Discloser irreparable harm for which money damages may not be an appropriate or sufficient remedy. Recipient therefore agrees that Discloser or its Affiliates, as the case may be, are entitled to receive injunctive or other equitable relief to remedy or prevent any breach or threatened breach of this Agreement. Such remedy is not the exclusive remedy for any breach or threatened breach of this Agreement, but is in addition to all other rights and remedies available at law or in equity.
- 10.6 Survival of Confidentiality Obligations. The parties' rights and obligations under this Section 10 shall survive and continue in effect until two (2) years after the expiration or termination date of this Agreement with regard to all Information exchanged during the term of this Agreement. Thereafter, the parties' rights and obligations hereunder survive and continue in effect with respect to any Information that is a trade secret under applicable law.

11. **Assignments**

Any assignment by either Party to any non-affiliated entity of any right, obligation or duty, or of any other interest hereunder, in whole or in part, without the prior written consent of the other Party shall be void. A Party may assign this Agreement or any right, obligation, duty or other interest hereunder to an Affiliate company of the Party without the consent of the other Party. All obligations and duties of any Party under this Agreement shall be binding on all successors in interest and assigns of such Party. No assignment or delegation hereof shall relieve the assignor of its obligations under this Agreement in the event that the assignee fails to perform such obligations.

12. **Resolution of Disputes**

Except as otherwise stated in this Agreement, the Parties agree that if any dispute arises as to the interpretation of any provision of this Agreement or as to the proper implementation of this Agreement, either Party may petition the Commission for a resolution of the dispute. However, each Party reserves any rights it may have to seek judicial review of any ruling made by the Commission concerning this Agreement.

13. **Taxes**

- 13.1 Definition. For purposes of this Section, the terms "taxes" and "fees" shall include but not limited to federal, state or local sales, use, excise, gross receipts or other taxes or tax-like fees of whatever nature and however designated (including tariff surcharges and any fees, charges or other payments, contractual or otherwise, for the use of public streets or rights of way, whether designated as franchise fees or otherwise) imposed, or sought to be imposed, on or with respect

to the services furnished hereunder or measured by the charges or payments therefore, excluding any taxes levied on income.

13.2 Taxes and Fees Imposed Directly On Either Providing Party or Purchasing Party.

13.2.1 Taxes and fees imposed on the providing Party, which are not permitted or required to be passed on by the providing Party to its customer, shall be borne and paid by the providing Party.

13.2.2 Taxes and fees imposed on the purchasing Party, which are not required to be collected and/or remitted by the providing Party, shall be borne and paid by the purchasing Party.

13.3 Taxes and Fees Imposed on Purchasing Party But Collected And Remitted By Providing Party.

13.3.1 Taxes and fees imposed on the purchasing Party shall be borne by the purchasing Party, even if the obligation to collect and/or remit such taxes or fees is placed on the providing Party.

13.3.2 To the extent permitted by applicable law, any such taxes and/or fees shall be shown as separate items on applicable billing documents between the Parties. Notwithstanding the foregoing, the purchasing Party shall remain liable for any such taxes and fees regardless of whether they are actually billed by the providing Party at the time that the respective service is billed.

13.3.3 If the purchasing Party determines that in its opinion any such taxes or fees are not payable, the providing Party shall not bill such taxes or fees to the purchasing Party if the purchasing Party provides written certification, reasonably satisfactory to the providing Party, stating that it is exempt or otherwise not subject to the tax or fee, setting forth the basis therefor, and satisfying any other requirements under applicable law. If any authority seeks to collect any such tax or fee that the purchasing Party has determined and certified not to be payable, or any such tax or fee that was not billed by the providing Party, the purchasing Party may contest the same in good faith, at its own expense. In any such contest, the purchasing Party shall promptly furnish the providing Party with copies of all filings in any proceeding, protest, or legal challenge, all rulings issued in connection therewith, and all correspondence between the purchasing Party and the taxing authority.

13.3.4 In the event that all or any portion of an amount sought to be collected must be paid in order to contest the imposition of any such tax or fee, or to avoid the existence of a lien on the assets of the providing Party during the pendency of such contest, the purchasing Party shall be responsible for such payment and shall be entitled to the benefit of any refund or recovery.

- 13.3.5 If it is ultimately determined that any additional amount of such a tax or fee is due to the imposing authority, the purchasing Party shall pay such additional amount, including any interest and penalties thereon.
- 13.3.6 Notwithstanding any provision to the contrary, the purchasing Party shall protect, indemnify and hold harmless (and defend at the purchasing Party's expense) the providing Party from and against any such tax or fee, interest or penalties thereon, or other charges or payable expenses (including reasonable attorney fees) with respect thereto, which are incurred by the providing Party in connection with any claim for or contest of any such tax or fee.
- 13.3.7 Each Party shall notify the other Party in writing of any assessment, proposed assessment or other claim for any additional amount of such a tax or fee by a taxing authority; such notice to be provided, if possible, at least ten (10) days prior to the date by which a response, protest or other appeal must be filed, but in no event later than thirty (30) days after receipt of such assessment, proposed assessment or claim.
- 13.4 Taxes and Fees Imposed on Providing Party But Passed On To Purchasing Party.
- 13.4.1 Taxes and fees imposed on the providing Party, which are permitted or required to be passed on by the providing Party to its customer, shall be borne by the purchasing Party.
- 13.4.2 To the extent permitted by applicable law, any such taxes and/or fees shall be shown as separate items on applicable billing documents between the Parties. Notwithstanding the foregoing, the purchasing Party shall remain liable for any such taxes and fees regardless of whether they are actually billed by the providing Party at the time that the respective service is billed.
- 13.4.3 If the purchasing Party disagrees with the providing Party's determination as to the application or basis for any such tax or fee, the Parties shall consult with respect to the imposition and billing of such tax or fee. Notwithstanding the foregoing, the providing Party shall retain ultimate responsibility for determining whether and to what extent any such taxes or fees are applicable, and the purchasing Party shall abide by such determination and pay such taxes or fees to the providing Party. The providing Party shall further retain ultimate responsibility for determining whether and how to contest the imposition of such taxes and fees; provided, however, that any such contest undertaken at the request of the purchasing Party shall be at the purchasing Party's expense.
- 13.4.4 In the event that all or any portion of an amount sought to be collected must be paid in order to contest the imposition of any such tax or fee, or to avoid the existence of a lien on the assets of the providing Party during the pendency of such contest, the purchasing Party shall be responsible for such payment and shall be entitled to the benefit of any refund or recovery.

- 13.4.5 If it is ultimately determined that any additional amount of such a tax or fee is due to the imposing authority, the purchasing Party shall pay such additional amount, including any interest and penalties thereon.
- 13.4.6 Notwithstanding any provision to the contrary, the purchasing Party shall protect indemnify and hold harmless (and defend at the purchasing Party's expense) the providing Party from and against any such tax or fee, interest or penalties thereon, or other reasonable charges or payable expenses (including reasonable attorney fees) with respect thereto, which are incurred by the providing Party in connection with any claim for or contest of any such tax or fee.
- 13.4.7 Each Party shall notify the other Party in writing of any assessment, proposed assessment or other claim for any additional amount of such a tax or fee by a taxing authority; such notice to be provided, if possible, at least ten (10) days prior to the date by which a response, protest or other appeal must be filed, but in no event later than thirty (30) days after receipt of such assessment, proposed assessment or claim.
- 13.5 Mutual Cooperation. In any contest of a tax or fee by one Party, the other Party shall cooperate fully by providing records, testimony and such additional information or assistance as may reasonably be necessary to pursue the contest. Further, the other Party shall be reimbursed for any reasonable and necessary out-of-pocket copying and travel expenses incurred in assisting in such contest.

14. Force Majeure

In the event performance of this Agreement, or any obligation hereunder, is either directly or indirectly prevented, restricted, or interfered with by reason of fire, flood, earthquake or like acts of God, wars, revolution, civil commotion, explosion, acts of public enemy, embargo, acts of the government in its sovereign capacity, labor difficulties, including without limitation, strikes, slowdowns, picketing, or boycotts, unavailability of equipment from vendor, changes requested by Customer, or any other circumstances beyond the reasonable control and without the fault or negligence of the Party affected, the Party affected, upon giving prompt notice to the other Party, shall be excused from such performance on a day-to-day basis to the extent of such prevention, restriction, or interference (and the other Party shall likewise be excused from performance of its obligations on a day-to-day basis until the delay, restriction or interference has ceased); provided however, that the Party so affected shall use diligent efforts to avoid or remove such causes of non-performance and both Parties shall proceed whenever such causes are removed or cease.

15. Year 2000 Compliance

Each Party warrants that it has implemented a program the goal of which is to ensure that all software, hardware and related materials (collectively called “Systems”) delivered, connected with BellSouth or supplied in the furtherance of the terms and conditions specified in this Agreement: (i) will record, store, process and display calendar dates falling on or after January 1, 2000, in the same manner, and with the same functionality as such software records, stores, processes and calendar dates falling on or before December 31, 1999; and (ii) shall include without limitation date data century recognition, calculations that accommodate same century and multicentury formulas and date values, and date data interface values that reflect the century.

16. Modification of Agreement

- 16.1 BellSouth shall make available, pursuant to 47 USC § 252 and the FCC rules and regulations regarding such availability, to Accutel any interconnection, service, or network element provided under any other agreement filed and approved pursuant to 47 USC § 252. The Parties shall adopt all rates, terms and conditions concerning such other interconnection, service or network element and any other rates, terms and conditions that are interrelated or were negotiated in exchange for or in conjunction with the interconnection, service or network element being adopted. The adopted interconnection, service, or network element and agreement shall apply to the same states as such other agreement and for the identical term of such other agreement.
- 16.2 If Accutel changes its name or makes changes to its company structure or identity due to a merger, acquisition, transfer or any other reason, it is the responsibility of Accutel to notify BellSouth of said change and request that an amendment to this Agreement, if necessary, be executed to reflect said change.
- 16.3 No modification, amendment, supplement to, or waiver of the Agreement or any of its provisions shall be effective and binding upon the Parties unless it is made in writing and duly signed by the Parties.
- 16.4 Execution of this Agreement by either Party does not confirm or infer that the executing Party agrees with any decision(s) issued pursuant to the Telecommunications Act of 1996 and the consequences of those decisions on specific language in this Agreement. Neither Party waives its rights to appeal or otherwise challenge any such decision(s) and each Party reserves all of its rights to pursue any and all legal and/or equitable remedies, including appeals of any such decision(s).
- 16.5 In the event that any effective legislative, regulatory, judicial or other legal action materially affects any material terms of this Agreement, or the ability of Accutel or BellSouth to perform any material terms of this Agreement, Accutel or BellSouth may, on thirty (30) days’ written notice require that such terms be renegotiated, and the Parties shall renegotiate in good faith such mutually acceptable new terms as

may be required. In the event that such new terms are not renegotiated within ninety (90) days after such notice, the Dispute shall be referred to the Dispute Resolution procedure set forth in Section 12.

- 16.6 If any provision of this Agreement, or the application of such provision to either Party or circumstance, shall be held invalid, the remainder of the Agreement, or the application of any such provision to the Parties or circumstances other than those to which it is held invalid, shall not be effective thereby, provided that the Parties shall attempt to reformulate such invalid provision to give effect to such portions thereof as may be valid without defeating the intent of such provision.

17. Waivers

A failure or delay of either Party to enforce any of the provisions hereof, to exercise any option which is herein provided, or to require performance of any of the provisions hereof shall in no way be construed to be a waiver of such provisions or options, and each Party, notwithstanding such failure, shall have the right thereafter to insist upon the specific performance of any and all of the provisions of this Agreement.

18. Governing Law

This Agreement shall be governed by, and construed and enforced in accordance with, the laws of the State of Georgia, without regard to its conflict of laws principles.

19. Arm's Length Negotiations

This Agreement was executed after arm's length negotiations between the undersigned Parties and reflects the conclusion of the undersigned that this Agreement is in the best interests of all Parties.

20. Notices

- 20.1 Every notice, consent, approval, or other communications required or contemplated by this Agreement shall be in writing and shall be delivered in person or given by postage prepaid mail, address to:

BellSouth Telecommunications, Inc.

CLEC Account Team
9th Floor
600 North 19th Street
Birmingham, Alabama 35203

and

General Attorney - COU
Suite 4300
675 W. Peachtree St.
Atlanta, GA 30375

Accutel of Texas, Inc.

Ken Weaver
P.O. Box 561269
Dallas, TX 75356
214-630-6700 ext. 101
214-630-1551 (fax)

or at such other address as the intended recipient previously shall have designated by written notice to the other Party.

20.2 Where specifically required, notices shall be by certified or registered mail. Unless otherwise provided in this Agreement, notice by mail shall be effective on the date it is officially recorded as delivered by return receipt or equivalent, and in the absence of such record of delivery, it shall be presumed to have been delivered the fifth day, or next business day after the fifth day, after it was deposited in the mails.

20.3 BellSouth shall provide Accutel notice via Internet posting of price changes and of changes to the terms and conditions of services available for resale.

21. Rule of Construction

No rule of construction requiring interpretation against the drafting Party hereof shall apply in the interpretation of this Agreement.

22. Headings of No Force or Effect

The headings of Articles and Sections of this Agreement are for convenience of reference only, and shall in no way define, modify or restrict the meaning or interpretation of the terms or provisions of this Agreement.

23. Multiple Counterparts

This Agreement may be executed multiple counterparts, each of which shall be deemed an original, but all of which shall together constitute but one and the same document.

24. Implementation of Agreement

If Accutel is a facilities based provider or a facilities based and resale provider, this section shall apply. Within 60 days of the execution of this Agreement, the Parties will adopt a schedule for the implementation of the Agreement. The schedule shall state with specificity time frames for submission of including but not limited to, network design, interconnection points, collocation arrangement requests, pre-sales testing and full operational time frames for the business and residential markets. An implementation template to be used for the implementation schedule is contained in Attachment 10 of this Agreement.

25. Filing of Agreement

Upon execution of this Agreement it shall be filed with the appropriate state regulatory agency pursuant to the requirements of Section 252 of the Act. If the regulatory agency imposes any filing or public interest notice fees regarding the filing or approval of the Agreement, Accutel shall be responsible for publishing the required notice and the publication and/or notice costs shall be borne by Accutel.

26. Entire Agreement

This Agreement and its Attachments, incorporated herein by this reference, sets forth the entire understanding and supersedes prior Agreements between the Parties relating to the subject matter contained herein and merges all prior discussions between them, and neither Party shall be bound by any definition, condition, provision, representation, warranty, covenant or promise other than as expressly stated in this Agreement or as is contemporaneously or subsequently set forth in writing and executed by a duly authorized officer or representative of the Party to be bound thereby.

This Agreement may include attachments with provisions for the following services:

Network Elements and Other Services
Local Interconnection
Resale
Collocation

The following services are included as options for purchase by Accutel. Accutel shall elect said services by written request to its Account Manager if applicable.

Optional Daily Usage File (ODUF)
Enhanced Optional Daily Usage File (EODUF)
Access Daily Usage File (ADUF)
Line Information Database (LIDB) Storage
Centralized Message Distribution Service (CMDS)
Calling Name (CNAM)

IN WITNESS WHEREOF, the Parties have executed this Agreement the day and year above first written.

BellSouth Telecommunications, Inc.

Signature on File

Signature

Jerry D. Hendrix

Name

Sr. Director – Interconnection Services

Title

08/11/2000

Date

Accutel of Texas, Inc.

Signature on File

Signature

Ken Weaver

Name

CEO

Title

08/7/2000

Date

Definitions

Affiliate is defined as a person that (directly or indirectly) owns or controls, is owned or controlled by, or is under common ownership or control with, another person. For purposes of this paragraph, the term “own” means to own an equity interest (or equivalent thereof) of more than 10 percent.

Centralized Message Distribution System is the Telcordia (formerly BellCore) administered national system, based in Kansas City, Missouri, used to exchange Exchange Message Interface (EMI) formatted data among host companies.

Commission is defined as the appropriate regulatory agency in each of BellSouth’s nine state region, Alabama, Florida, Georgia, Kentucky, Louisiana, Mississippi, North Carolina, South Carolina, and Tennessee.

Daily Usage File is the compilation of messages or copies of messages in standard Exchange Message Interface (EMI) format exchanged from BellSouth to a CLEC.

Exchange Message Interface is the nationally administered standard format for the exchange of data among the Exchange Carriers within the telecommunications industry.

Information Service means the offering of a capability for generating, acquiring, storing, transforming, processing, retrieving, utilizing, or making available information via telecommunications, and includes electronic publishing, but does not include any use of any such capability for the management, control, or operation of a telecommunications system or the management of a telecommunications service.

Intercompany Settlements (ICS) is the revenue associated with charges billed by a company other than the company in whose service area such charges were incurred. ICS on a national level includes third number and credit card calls and is administered by Telcordia (formerly BellCore)’s Calling Card and Third Number Settlement System (CATS). Included is traffic that originates in one Regional Bell Operating Company’s (RBOC) territory and bills in another RBOC’s territory.

Intermediary function is defined as the delivery of traffic from Accutel; a CLEC other than Accutel or another telecommunications carrier through the network of BellSouth or Accutel to an end user of Accutel; a CLEC other than Accutel or another telecommunications carrier.

Local Interconnection is defined as 1) the delivery of local traffic to be terminated on each Party’s local network so that end users of either Party have the ability to reach end users of the other Party without the use of any access code or substantial delay in the processing of the call; 2) the LEC network features, functions, and capabilities set forth in this Agreement; and 3) Service Provider Number Portability sometimes referred to as temporary telephone number portability to be implemented pursuant to the terms of this Agreement.

Local Traffic is defined as any telephone call that originates in one exchange and terminates in either the same exchange, or other local calling area associated with the originating exchange as defined and specified in Section A3 of BellSouth's General Subscriber Service Tariff. As clarification of this definition and for reciprocal transport and termination compensation, Local Traffic does not include traffic that originates from or is directed to or through an enhanced service provider or information service provider. As further clarification, Local Traffic does not include calls that do not transmit information of the user's choosing. In any event, neither Party will pay reciprocal compensation to the other if the "traffic" to which such reciprocal compensation would otherwise apply was generated, in whole or in part, for the purpose of creating an obligation on the part of the originating carrier to pay reciprocal compensation for such traffic.

Message Distribution is routing determination and subsequent delivery of message data from one company to another. Also included is the interface function with CMDS, where appropriate.

Multiple Exchange Carrier Access Billing ("MECAB") means the document prepared by the Billing Committee of the Ordering and Billing Forum ("OBF"), which functions under the auspices of the Carrier Liaison Committee of the Alliance for Telecommunications Industry Solutions ("ATIS") and by Telcordia (formerly BellCore) as Special Report SR-BDS-000983, Containing the recommended guidelines for the billing of Exchange Service access provided by two or more LECs and/or CLECs or by one LEC in two or more states within a single LATA.

Network Element is defined to mean a facility or equipment used in the provision of a telecommunications service. Such term may include, but is not limited to, features, functions, and capabilities that are provided by means of such facility or equipment, including but not limited to, subscriber numbers, databases, signaling systems, and information sufficient for billing and collection or used in the transmission, routing, or other provision of a telecommunications service. BellSouth offers access to the Network Elements, unbundled loops; network interface device; sub-loop elements; local switching; transport; tandem switching; operator systems; signaling; access to call-related databases; dark fiber as set forth in Attachment 2 of this Agreement.

Non-Intercompany Settlement System (NICS) is the Telcordia (formerly BellCore) system that calculates non-intercompany settlements amounts due from one company to another within the same RBOC region. It includes credit card, third number and collect messages.

Percent of Interstate Usage (PIU) is defined as a factor to be applied to terminating access services minutes of use to obtain those minutes that should be rated as interstate access services minutes of use. The numerator includes all interstate "non-intermediary" minutes of use, including interstate minutes of use that are forwarded due to service provider number portability less any interstate minutes of use for Terminating Party Pays services, such as 800 Services. The denominator includes all "non-intermediary", local, interstate, intrastate, toll and access minutes of use adjusted for service provider number portability less all minutes attributable to terminating Party pays services.

Percent Local Usage (PLU) is defined as a factor to be applied to intrastate terminating minutes of use. The numerator shall include all “non-intermediary” local minutes of use adjusted for those minutes of use that only apply local due to Service Provider Number Portability. The denominator is the total intrastate minutes of use including local, intrastate toll, and access, adjusted for Service Provider Number Portability less intrastate terminating Party pays minutes of use.

Revenue Accounting Office (RAO) Status Company is a local exchange company/alternate local exchange company that has been assigned a unique RAO code. Message data exchanged among RAO status companies is grouped (i.e. packed) according to From/To/Bill RAO combinations.

Service Control Points (“SCPs”) are defined as databases that store information and have the ability to manipulate data required to offer particular services.

Signal Transfer Points (“STPs”) are signaling message switches that interconnect Signaling Links to route signaling messages between switches and databases. STPs enable the exchange of Signaling System 7 (“SS7”) messages between switching elements, database elements and STPs. STPs provide access to various BellSouth and third party network elements such as local switching and databases.

Signaling links are dedicated transmission paths carrying signaling messages between carrier switches and signaling networks. Signal Link Transport is a set of two or four dedicated 56 kbps transmission paths between Accutel designated Signaling Points of Interconnection that provide a diverse transmission path and cross connect to a BellSouth Signal Transfer Point.

Telecommunications means the transmission, between or among points specified by the user, of information of the user’s choosing, without change in the form or content of the information as sent and received.

Telecommunications Service means the offering of telecommunications for a fee directly to the public, or to such classes of users as to be effectively available directly to the public, regardless of the facilities used.

Telecommunications Act of 1996 (“Act”) means Public Law 104-104 of the United States Congress effective February 8, 1996. The Act amended the Communications Act of 1934 (47, U.S.C. Section 1 et. seq.).

Attachment 1

Resale

TABLE OF CONTENTS

| | | |
|------------|--|-------------------|
| 1. | Discount Rates..... | 3 |
| 2. | Definition of Terms..... | 3 |
| 3. | General Provisions..... | 3 |
| 4. | Bellsouth’s Provision of Services To Accutel..... | 8 |
| 5. | Maintenance of Services..... | 8 |
| 6. | Establishment of Service..... | 9 |
| 7. | Payment and Billing Arrangements..... | 11 |
| 8. | Discontinuance of Service..... | 13 |
| 9. | Line Information Database (LIDB)..... | 15 |
| 10. | RAO Hosting..... | 15 |
| 11. | Optional Daily Usage File (ODUF)..... | 15 |
| 12. | Enhanced Optional Daily Usage File (EODUF)..... | 15 |
| | Exhibit A – Applicable Discounts/OSS Rates..... | .16 |
| | Exhibit B – Resale Restrictions..... | 19 |
| | Exhibit C – Line Information Database (LIDB) Storage Agreement..... | .21 |
| | Exhibit D – CMDS/ROA Hosting..... | .27 |
| | Exhibit E – Optional Daily Usage File ODUF)..... | 31 |
| | Exhibit F – Enhanced Option Daily Usage File (EODUF)..... | 34 |
| | Exhibit G – ODUF/EODUF/CMDS Rates..... | Rate Table |

RESALE

1. Discount Rates

The discount rates applied to Accutel purchases of BellSouth Telecommunications Services for the purpose of resale shall be as set forth in Exhibit A. Such discount shall reflect the costs avoided by BellSouth when selling a service for wholesale purposes.

2. Definition of Terms

2.1 COMPETITIVE LOCAL EXCHANGE COMPANY (CLEC) means a telephone company certificated by the public service commissions of BellSouth's franchised area to provide local exchange service within BellSouth's franchised area.

2.2 CUSTOMER OF RECORD means the entity responsible for placing application for service; requesting additions, rearrangements, maintenance or discontinuance of service; payment in full of charges incurred such as non-recurring, monthly recurring, toll, directory assistance, etc.

2.3 DEPOSIT means assurance provided by a customer in the form of cash, surety bond or bank letter of credit to be held by BellSouth.

2.4 END USER means the ultimate user of the telecommunications services.

2.5 END USER CUSTOMER LOCATION means the physical location of the premises where an end user makes use of the telecommunications services.

2.6 NEW SERVICES means functions, features or capabilities that are not currently offered by BellSouth. This includes packaging of existing services or combining a new function, feature or capability with an existing service.

2.7 RESALE means an activity wherein a certificated CLEC, such as Accutel subscribes to the telecommunications services of BellSouth and then offers those telecommunications services to the public

2.8 RESALE SERVICE AREA means the area, as defined in a public service commission approved certificate of operation, within which a CLEC, such as Accutel, may offer resold local exchange telecommunications service.

3. General Provisions

- 3.1 Accutel may resell the tariffed local exchange and toll telecommunications services of BellSouth contained in the General Subscriber Service Tariff and Private Line Service Tariff subject to the terms, and conditions specifically set forth herein. Notwithstanding the foregoing, the exclusions and limitations on services available for resale will be as set forth in Exhibit B, attached hereto and incorporated herein by this reference.
- 3.2 All of the negotiated rates, terms and conditions set forth in this Attachment pertain to the resale of BellSouth's retail telecommunications services and other services specified in this Attachment. BellSouth shall make available telecommunications services for resale at the discount rates set forth in Exhibit A to this Agreement and subject to the exclusions and limitations set forth in Exhibit B to this Agreement. BellSouth does not however waive its rights to appeal or otherwise challenge any decision regarding resale that resulted in the discount rates contained in Exhibit A or the exclusions and limitations contained in Exhibit B. BellSouth reserves the right to pursue any and all legal and/or equitable remedies, including appeals of any decisions. If such appeals or challenges result in changes in the discount rates or exclusions and limitations, the parties agree that appropriate modifications to this Agreement will be made promptly to make its terms consistent with the outcome of the appeal.
- 3.3 Accutel may purchase resale services from BellSouth for their own use in operating their business. The resale discount will apply to those services under the following conditions:
- 3.3.1 Accutel must resell services to other end users.
- 3.3.2 Accutel must order services through resale interfaces, i.e., the Local Carrier Service Center (LCSC) and/or appropriate Resale Account Teams pursuant to Section 3 of the General Terms and Conditions.
- 3.3.3 Accutel cannot be a competitive local exchange telecommunications company for the single purpose of selling to themselves.
- 3.4 The provision of services by BellSouth to Accutel does not constitute a joint undertaking for the furnishing of any service.
- 3.5 Accutel will be the customer of record for all services purchased from BellSouth. Except as specified herein, BellSouth will take orders from, bill and expect payment from Accutel for said services.
- 3.6 Accutel will be BellSouth's single point of contact for all services purchased pursuant to this Agreement. BellSouth shall have no contact with the end user except to the extent provided for herein.
- 3.7 BellSouth will continue to bill the end user for any services that the end user specifies it wishes to receive directly from BellSouth.

- 3.8 BellSouth maintains the right to serve directly any end user within the service area of Accutel. BellSouth will continue to directly market its own telecommunications products and services and in doing so may establish independent relationships with end users of Accutel.
- 3.9 Neither Party shall interfere with the right of any person or entity to obtain service directly from the other Party.
- 3.10 Current telephone numbers may normally be retained by the end user and are assigned to the service furnished. However, neither Party nor the end user has a property right to the telephone number or any other call number designation associated with services furnished by BellSouth, and no right to the continuance of service through any particular central office. BellSouth reserves the right to change such numbers, or the central office designation associated with such numbers, or both, whenever BellSouth deems it necessary to do so in the conduct of its business and in accordance with BellSouth practices and procedures on a nondiscriminatory basis.
- 3.11 For the purpose of the resale of BellSouth's telecommunications services by Accutel, BellSouth will provide Accutel with an on line access to telephone numbers for reservation on a first come first serve basis. Such reservations of telephone numbers, on a pre-ordering basis shall be for a period of nine (9) days. Accutel acknowledges that there may be instances where there is a shortage of telephone numbers in a particular Common Language Location Identifier Code (CLLIC) and in such instances BellSouth may request that Accutel cancel its reservations of numbers. Accutel shall comply with such request.
- 3.12 Further, upon Accutel's request, and for the purpose of the resale of BellSouth's telecommunications services by Accutel, BellSouth will reserve up to 100 telephone numbers per CLLIC, for Accutel's sole use. Such telephone number reservations shall be valid for ninety (90) days from the reservation date. Accutel acknowledges that there may be instances where there is a shortage of telephone numbers in a particular CLLIC and in such instances BellSouth shall use its best efforts to reserve for a ninety (90) day period a sufficient quantity of Accutel's reasonable need in that particular CLLIC.
- 3.13 Service is furnished subject to the condition that it will not be used for any unlawful purpose.
- 3.14 Service will be discontinued if any law enforcement agency advises that the service being used is in violation of the law.
- 3.15 BellSouth can refuse service when it has grounds to believe that service will be used in violation of the law.

- 3.16 BellSouth accepts no responsibility to any person for any unlawful act committed by Accutel or its end users as part of providing service to Accutel for purposes of resale or otherwise.
- 3.17 BellSouth will cooperate fully with law enforcement agencies with subpoenas and court orders for assistance with BellSouth's end users, pursuant to Section 7 of the General Terms and Conditions
- 3.18 The characteristics and methods of operation of any circuits, facilities or equipment provided by any person or entity other than BellSouth shall not:
- 3.18.1 Interfere with or impair service over any facilities of BellSouth, its affiliates, or its connecting and concurring carriers involved in its service; or
- 3.18.2 Cause damage to BellSouth's plant;
- 3.18.3 Impair the privacy of any communications; or
- 3.18.4 Create hazards to any BellSouth employees or the public.
- 3.19 If Accutel utilizes a BellSouth resold telecommunications service in a manner other than which the service was originally intended as described in BellSouth's retail tariffs, Accutel has the responsibility to notify BellSouth. BellSouth will only provision and maintain said service consistent with the terms and conditions of the tariff describing said service.
- 3.20 Facilities and/or equipment utilized by BellSouth to provide service to Accutel remain the property of BellSouth.
- 3.21 White page directory listings will be provided in accordance with Section 5 of the General Terms and Conditions.
- 3.22 BellSouth provides electronic access to customer record information. Access is provided through the Local Exchange Navigation System (LENS) and the Telecommunications Access Gateway (TAG). Customer Record Information includes but is not limited to, customer specific information in CRIS and RSAG. In addition, Accutel shall provide to BellSouth access to customer record information including electronic access where available. Otherwise, upon request by BellSouth Accutel shall provide paper copies of customer record information within a reasonable period of time by BellSouth. Customer Record Information is equivalent to but not limited to the type of customer specific information contained in CRIS and RSAG. The Parties agree not to view, copy, or otherwise obtain access to the customer record information of any customer without that customer's permission, and further agrees that Accutel and BellSouth will obtain access to customer record information only in strict compliance with applicable laws, rules, or regulations of the State in which the service is provided.

3.23 All costs incurred by BellSouth to develop and implement operational interfaces shall be recovered from Resellers who utilize the services. Charges for use of Operational Support Systems (OSS) shall be as set forth in Exhibit A of this Attachment.

3.24 Where available to BellSouth's end users, BellSouth shall provide the following telecommunications services at a discount to allow for voice mail services:

- Simplified Message Desk Interface - Enhanced ("SMDI-E")
- Simplified Message Desk Interface ("SMDI")
- Message Waiting Indicator ("MWT") stutter dialtone and message waiting light feature capabilities
- Call Forward on Busy ("CF/B")
- Call Forward Don't Answer ("CF/DA")

Further, BellSouth messaging services set forth in BellSouth's Messaging Service Information Package shall be made available for resale without the wholesale discount.

3.24.1 BellSouth shall provide branding for, or shall unbrand, voice mail services to Accutel per the Bona Fide Request/New Business Request process as set forth in Section 6 of the General Terms and Conditions.

3.25 BellSouth's Inside Wire Maintenance Service Plans may be made available for resale at rates, terms and conditions as set forth by BellSouth and without the wholesale discount.

3.26 If Accutel requires a special assembly Accutel agrees to pay the costs incurred by BellSouth for providing the requested special assembly. The costs will be provided to Accutel prior to providing the service. Such costs could include both recurring and non-recurring charges and shall exclude any cost attributable to any marketing, billing collection or other costs that will be avoided by BellSouth in providing service to Accutel .

3.27 Recovery of charges associated with implementing Number Portability through monthly charges assessed to end users has been authorized by the FCC. This end user line charge will be billed to Resellers of BellSouth's telecommunications services and will be as filed in FCC No. 1. This charge is not discounted.

3.28 BellSouth shall provide 911/E911 for Accutel customers in the same manner that it is provided to BellSouth customers. BellSouth shall provide and validate Accutel customer information to the PSAP. BellSouth shall use its service order process to update and maintain, on the same schedule that it uses for its customers, the Accutel customer service information in the ALI/DMS (Automatic Location Identification/Location Information) databases used to support 911/E911 services.

3.29 Pursuant to 47 CFR Section 51.617, BellSouth will bill Accutel end users common line charges identical to the end user common line charges BellSouth bills its end users.

4. BellSouth's Provision of Services to Accutel

4.1 Accutel agrees that its resale of BellSouth services shall be as follows:

4.1.1 The resale of telecommunications services shall be limited to users and uses conforming to the class of service restrictions.

4.1.2 Hotel and Hospital PBX services are the only telecommunications services available for resale to Hotel/Motel and Hospital end users, respectively. Similarly, Access Line Service for Customer Provided Coin Telephones is the only local service available for resale to Independent Payphone Provider (IPP) customers. Shared Tenant Service customers can only be sold those local exchange access services available in BellSouth's A23 Shared Tenant Service Tariff in the states of Florida, Georgia, North Carolina and South Carolina, and in A27 in the states of Alabama, Kentucky, Louisiana, Mississippi and Tennessee.

4.1.3 BellSouth reserves the right to periodically audit services purchased by Accutel to establish authenticity of use. Such audit shall not occur more than once in a calendar year. Accutel shall make any and all records and data available to BellSouth or BellSouth's auditors on a reasonable basis. BellSouth shall bear the cost of said audit.

4.2 Resold services can only be used in the same manner as specified in BellSouth's Tariffs. Resold services are subject to the same terms and conditions as are specified for such services when furnished to an individual end user of BellSouth in the appropriate section of BellSouth's Tariffs. Specific tariff features (e.g. a usage allowance per month), shall not be aggregated across multiple resold services.

4.3 Accutel may resell services only within the specific resale service area as defined in its certificate.

4.4 Telephone numbers transmitted via any resold service feature are intended solely for the use of the end user of the feature. Resale of this information is prohibited.

5. Maintenance of Services

5.1 Accutel will adopt and adhere to the standards contained in the applicable CLEC Work Center Operational Understanding Agreement regarding maintenance and installation of service.

5.2 Services resold pursuant to this Attachment and BellSouth's General Subscriber Service Tariff and Private Line Service Tariff and facilities and equipment provided by BellSouth shall be maintained by BellSouth.

- 5.3 Accutel or its end users may not rearrange, move, disconnect, remove or attempt to repair any facilities owned by BellSouth, other than by connection or disconnection to any interface means used, except with the written consent of BellSouth.
- 5.4 Accutel accepts responsibility to notify BellSouth of situations that arise that may result in a service problem.
- 5.5 Accutel will be BellSouth's single point of contact for all repair calls on behalf of Accutel's end users. The parties agree to provide one another with toll-free contact numbers for such purposes.
- 5.6 Accutel will contact the appropriate repair centers in accordance with procedures established by BellSouth.
- 5.7 For all repair requests, Accutel accepts responsibility for adhering to BellSouth's prescreening guidelines prior to referring the trouble to BellSouth.
- 5.8 BellSouth will bill Accutel for handling troubles that are found not to be in BellSouth's network pursuant to its standard time and material charges. The standard time and material charges will be no more than what BellSouth charges to its retail customers for the same services.
- 5.9 BellSouth reserves the right to contact Accutel's end users, if deemed necessary, for maintenance purposes.

6. Establishment of Service

- 6.1 After receiving certification as a local exchange company from the appropriate regulatory agency, Accutel will provide the appropriate BellSouth service center the necessary documentation to enable BellSouth to establish a master account for Accutel's resold services. Such documentation shall include the Application for Master Account, proof of authority to provide telecommunications services, an Operating Company Number ("OCN") assigned by the National Exchange Carriers Association ("NECA") and a tax exemption certificate, if applicable. When necessary deposit requirements are met, BellSouth will begin taking orders for the resale of service.
- 6.2 Service orders will be in a standard format designated by BellSouth.
- 6.3 When notification is received from Accutel that a current end user of BellSouth will subscribe to Accutel's service, standard service order intervals for the appropriate class of service will apply.
- 6.4 BellSouth will not require end user confirmation prior to establishing service for Accutel's end user customer. Accutel must, however, be able to demonstrate end user authorization upon request.

- 6.5 Accutel will be the single point of contact with BellSouth for all subsequent ordering activity resulting in additions or changes to resold services except that BellSouth will accept a request directly from the end user for conversion of the end user's service from Accutel to BellSouth or will accept a request from another CLEC for conversion of the end user's service from Accutel to the other LEC. BellSouth will notify Accutel that such a request has been processed.
- 6.6 If BellSouth determines that an unauthorized change in local service to Accutel has occurred, BellSouth will reestablish service with the appropriate local service provider and will assess Accutel as the CLEC initiating the unauthorized change, the unauthorized change charge described in F.C.C. Tariff No. 1, Section 13 or applicable state tariff. Appropriate nonrecurring charges, as set forth in Section A4 of the General Subscriber Service Tariff, will also be assessed to Accutel. These charges can be adjusted if Accutel provides satisfactory proof of authorization.
- 6.7 In order to safeguard its interest, BellSouth reserves the right to secure the account with a suitable form of security deposit, unless satisfactory credit has already been established.
- 6.7.1 Such security deposit shall take the form of an irrevocable Letter of Credit or other forms of security acceptable to BellSouth. Any such security deposit may be held during the continuance of the service as security for the payment of any and all amounts accruing for the service.
- 6.7.2 If a security deposit is required, such security deposit shall be made prior to the inauguration of service.
- 6.7.3 Such security deposit may not exceed two months' estimated billing.
- 6.7.4 The fact that a security deposit has been made in no way relieves Accutel from complying with BellSouth's regulations as to advance payments and the prompt payment of bills on presentation nor does it constitute a waiver or modification of the regular practices of BellSouth providing for the discontinuance of service for non-payment of any sums due BellSouth.
- 6.7.5 BellSouth reserves the right to increase the security deposit requirements when, in its sole judgment, circumstances so warrant and/or gross monthly billing has increased beyond the level initially used to determine the security deposit.
- 6.7.6 In the event that Accutel defaults on its account, service to Accutel will be terminated and any security deposits held will be applied to its account.
- 6.7.7 Interest on a security deposit shall accrue and be paid in accordance with the terms in the appropriate BellSouth tariff.

7. Payment And Billing Arrangements

- 7.1 Prior to submitting orders to BellSouth for local service, a master account must be established for Accutel. Accutel is required to provide the following before a master account is established: proof of PSC/PUC certification, the Application for Master Account, an Operating Company Number (“OCN”) assigned by the National Exchange Carriers Association (“NECA”) and a tax exemption certificate, if applicable.
- 7.2 BellSouth shall bill Accutel on a current basis all applicable charges and credits.
- 7.3 Payment of all charges will be the responsibility of Accutel. Accutel shall make payment to BellSouth for all services billed. BellSouth is not responsible for payments not received by Accutel from Accutel's end user. BellSouth will not become involved in billing disputes that may arise between Accutel and its end user. Payments made to BellSouth as payment on account will be credited to an accounts receivable master account and not to an end user's account.
- 7.4 BellSouth will render bills each month on established bill days for each of Accutel's accounts.
- 7.5 BellSouth will bill Accutel in advance charges for all services to be provided during the ensuing billing period except charges associated with service usage, which will be billed in arrears. Charges will be calculated on an individual end user account level, including, if applicable, any charge for usage or usage allowances. BellSouth will also bill Accutel, and Accutel will be responsible for and remit to BellSouth, all charges applicable to resold services including but not limited to 911 and E911 charges, telecommunications relay charges (TRS), and franchise fees.
- 7.6 The payment will be due by the next bill date (i.e., same date in the following month as the bill date) and is payable in immediately available funds. Payment is considered to have been made when received by BellSouth.
- 7.6.1 If the payment due date falls on a Sunday or on a Holiday which is observed on a Monday, the payment due date shall be the first non-Holiday day following such Sunday or Holiday. If the payment due date falls on a Saturday or on a Holiday which is observed on Tuesday, Wednesday, Thursday, or Friday, the payment due date shall be the last non-Holiday day preceding such Saturday or Holiday. If payment is not received by the payment due date, a late payment penalty, as set forth in section 7.8 following, shall apply.
- 7.6.2 If Accutel requests multiple billing media or additional copies of bills, BellSouth will provide these at an appropriate charge to Accutel.
- 7.6.3 Billing Disputes

- 7.6.3.1 Each Party agrees to notify the other Party upon the discovery of a billing dispute. In the event of a billing dispute, the Parties will endeavor to resolve the dispute within sixty (60) calendar days of the Bill Date on which such disputed charges appear. Resolution of the dispute is expected to occur at the first level of management resulting in a recommendation for settlement of the dispute and closure of a specific billing period. If the issues are not resolved within the allotted time frame, the following resolution procedure will begin:
- 7.6.3.2 If the dispute is not resolved within sixty (60) days of the Bill Date, the dispute will be escalated to the second level of management for each of the respective Parties for resolution. If the dispute is not resolved within ninety (90) days of the Bill Date, the dispute will be escalated to the third level of management for each of the respective Parties for resolution
- 7.6.3.3 If the dispute is not resolved within one hundred and twenty (120) days of the Bill Date, the dispute will be escalated to the fourth level of management for each of the respective Parties for resolution.
- 7.6.3.4 If a Party disputes a charge and does not pay such charge by the payment due date, such charges shall be subject to late payment charges as set forth in the Late Payment Charges provision of this Attachment. If a Party disputes charges and the dispute is resolved in favor of such Party, the other Party shall credit the bill of the disputing Party for the amount of the disputed charges along with any late payment charges assessed no later than the second Bill Date after the resolution of the dispute. Accordingly, if a Party disputes charges and the dispute is resolved in favor of the other Party, the disputing Party shall pay the other Party the amount of the disputed charges and any associated late payment charges assessed no later than the second bill payment due date after the resolution of the dispute. BellSouth shall only assess interest on previously assessed late payment charges in a state where it has authority pursuant to its tariffs.
- 7.7 Upon proof of tax exempt certification from Accutel, the total amount billed to Accutel will not include any taxes due from the end user to reflect the tax exempt certification and local tax laws. Accutel will be solely responsible for the computation, tracking, reporting, and payment of taxes applicable to Accutel's end user.
- 7.8 If any portion of the payment is received by BellSouth after the payment due date as set forth preceding, or if any portion of the payment is received by BellSouth in funds that are not immediately available to BellSouth, then a late payment penalty shall be due to BellSouth. The late payment penalty shall be the portion of the payment not received by the payment due date times a late factor and will be applied on a per bill basis. The late factor shall be as set forth in Section A2 of the General Subscriber Services Tariff and Section B2 of the Private Line Service Tariff. Accutel will be

- charged a fee for all returned checks as set forth in Section to A2 of the General Subscriber Services Tariff or in applicable state law.
- 7.9 Any switched access charges associated with interexchange carrier access to the resold local exchange lines will be billed by, and due to, BellSouth. No additional charges are to be assessed to Accutel
- 7.10 BellSouth will not perform billing and collection services for Accutel as a result of the execution of this Agreement. All requests for billing services should be referred to the appropriate entity or operational group within BellSouth.
- 7.11 In general, BellSouth will not become involved in disputes between Accutel and Accutel's end user customers over resold services. If a dispute does arise that cannot be settled without the involvement of BellSouth, Accutel shall contact the designated Service Center for resolution. BellSouth will make every effort to assist in the resolution of the dispute and will work with Accutel to resolve the matter in as timely a manner as possible. Accutel may be required to submit documentation to substantiate the claim.
- 8. Discontinuance of Service**
- 8.1 The procedures for discontinuing service to an end user are as follows:
- 8.1.1 Where possible, BellSouth will deny service to Accutel's end user on behalf of, and at the request of, Accutel. Upon restoration of the end user's service, restoral charges will apply and will be the responsibility of Accutel.
- 8.1.2 At the request of Accutel, BellSouth will disconnect a Accutel end user customer.
- 8.1.3 All requests by Accutel for denial or disconnection of an end user for nonpayment must be in writing.
- 8.1.4 Accutel will be made solely responsible for notifying the end user of the proposed disconnection of the service.
- 8.1.5 BellSouth will continue to process calls made to the Annoyance Call Center and will advise Accutel when it is determined that annoyance calls are originated from one of their end user's locations. BellSouth shall be indemnified, defended and held harmless by Accutel and/or the end user against any claim, loss or damage arising from providing this information to Accutel. It is the responsibility of Accutel to take the corrective action necessary with its end users who make annoying calls. Failure to do so will result in BellSouth's disconnecting the end user's service.
- 8.1.6 BellSouth may disconnect and reuse facilities when the facility is in a denied state and BellSouth has received an order to establish new service or transfer of service from an end user or an end user's CLEC at the same address served by the denied facility.
- 8.2 The procedures for discontinuing service to Accutel are as follows:

- 8.2.1 BellSouth reserves the right to suspend or terminate service for nonpayment or in the event of prohibited, unlawful or improper use of the facilities or service, abuse of the facilities, or any other violation or noncompliance by Accutel of the rules and regulations of BellSouth's Tariffs.
- 8.2.2 If payment of account is not received by the bill day in the month after the original bill day, BellSouth may provide written notice to Accutel, that additional applications for service will be refused and that any pending orders for service will not be completed if payment is not received by the fifteenth day following the date of the notice. In addition BellSouth may, at the same time, give thirty days notice to the person designated by Accutel to receive notices of noncompliance, and discontinue the provision of existing services to Accutel at any time thereafter.
- 8.2.3 In the case of such discontinuance, all billed charges, as well as applicable termination charges, shall become due.
- 8.2.4 If BellSouth does not discontinue the provision of the services involved on the date specified in the thirty days notice and Accutel's noncompliance continues, nothing contained herein shall preclude BellSouth's right to discontinue the provision of the services to Accutel without further notice.
- 8.2.5 If payment is not received or arrangements made for payment by the date given in the written notification, Accutel's services will be discontinued. Upon discontinuance of service on a Accutel's account, service to Accutel's end users will be denied. BellSouth will also reestablish service at the request of the end user or Accutel upon payment of the appropriate connection fee and subject to BellSouth's normal application procedures. Accutel is solely responsible for notifying the end user of the proposed disconnection of the service.
- 8.2.6 If within fifteen days after an end user's service has been denied no contact has been made in reference to restoring service, the end user's service will be disconnected.

9. Line Information Database (LIDB)

- 9.1 BellSouth will store in its Line Information Database (LIDB) records relating to service only in the BellSouth region. The LIDB Storage Agreement is included in this Attachment as Exhibit C.
- 9.2 BellSouth will provide LIDB Storage upon written request to Accutel Account Manager stating requested activation date.

10. RAO Hosting

- 10.1 The RAO Hosting Agreement is included in this Attachment as Exhibit D. Rates for BellSouth's Centralized Message Distribution System (CMDS) are as set forth in Exhibit H of this Attachment.

10.2 BellSouth will provide RAO Hosting upon written request to its Account Manager stating requested activation date.

11. Optional Daily Usage File (ODUF)

11.1 The Optional Daily Usage File (ODUF) Agreement with terms and conditions is included in this Attachment as Exhibit E. Rates for ODUF are as set forth in Exhibit H of this Attachment.

11.2 BellSouth will provide Optional Daily Usage File (ODUF) service upon written request to its Account Manager stating requested activation date.

12. Enhanced Optional Daily Usage File (EODUF)

12.1 The Enhanced Optional Daily Usage File (EODUF) service Agreement with terms and conditions is included in this Attachment as Exhibit F. Rates for EODUF are as set forth in Exhibit H of this Attachment.

12.2 BellSouth will provide Enhanced Optional Daily Usage File (EODUF) service upon written request to its Account Manager stating requested activation date.

APPLICABLE DISCOUNTS

The telecommunications services available for purchase by Accutel for the purposes of resale to Accutel end users shall be available at the following discount off of the retail rate. If Accutel cancels an order for telecommunications services for the purpose of resale, any costs incurred by BellSouth in conjunction with the provisioning of that order will be recovered in accordance with the applicable sections of the GSST and the PLST.

DISCOUNT*

| <u>STATE</u> | <u>RESIDENCE</u> | <u>BUSINESS</u> | <u>CSAs***</u> |
|----------------|------------------|-----------------|----------------|
| ALABAMA | 16.3% | 16.3% | |
| FLORIDA | 21.83% | 16.81% | |
| GEORGIA | 20.3% | 17.3% | |
| KENTUCKY | 16.79% | 15.54% | |
| LOUISIANA | 20.72% | 20.72% | 9.05% |
| MISSISSIPPI | 15.75% | 15.75% | |
| NORTH CAROLINA | 21.5% | 17.6% | |
| SOUTH CAROLINA | 14.8% | 14.8% | 8.98% |
| TENNESSEE** | 16% | 16% | |

- * When a CLEC provides Resale service in a cross boundary area (areas that are part of the local serving area of another state's exchange) the rates, regulations and discounts for the tariffing state will apply. Billing will be from the serving state.
- ** In Tennessee, if a CLEC provides its own operator services and directory services, the discount shall be 21.56%. CLEC must provide written notification to BellSouth within 30 days prior to providing its own operator services and directory services to qualify for the higher discount rate of 21.56%.
- *** Unless noted in this column, the discount for Business will be the applicable discount rate for CSAs.

OPERATIONAL SUPPORT SYSTEMS (OSS) RATES

BellSouth has developed and made available the following mechanized systems by which Accutel may submit LSRs electronically.

| | |
|------|-----------------------------------|
| LENS | Local Exchange Navigation System |
| EDI | Electronic Data Interchange |
| TAG | Telecommunications Access Gateway |

LSRs submitted by means of one of these interactive interfaces will incur an OSS electronic ordering charge as specified in the Table below. An individual LSR will be identified for billing purposes by its Purchase Order Number (PON). LSRs submitted by means other than one of these interactive interfaces (mail, fax, courier, etc.) will incur a manual order charge as specified in the table below:

| OPERATIONAL SUPPORT SYSTEMS (OSS) RATES | <u>Electronic</u> Per LSR received from the CLEC by one of the OSS interactive interfaces | <u>Manual</u> Per LSR received from the CLEC by means other than one of the OSS interactive interfaces |
|--|--|---|
| OSS LSR Charge | \$3.50 | \$19.99 |
| USOC | SOMEK | SOMAN |

Note: In addition to the OSS charges, applicable discounted service order and related discounted charges apply per the tariff.

Denial/Restoral OSS Charge

In the event Accutel provides a list of customers to be denied and restored, rather than an LSR, each location on the list will require a separate PON and, therefore will be billed as one LSR per location.

Cancellation OSS Charge

Accutel will incur an OSS charge for an accepted LSR that is later canceled by Accutel.

Note: Supplements or clarifications to a previously billed LSR will not incur another OSS charge.

Threshold Billing Plan

The Parties agree that Accutel will incur the mechanized rate for all LSRs, both mechanized and manual, if the percentage of mechanized LSRs to total LSRs meets or exceeds the threshold percentages shown below:

| Year | Ratio: Mechanized/Total LSRs |
|------|------------------------------|
| 2000 | 80% |
| 2001 | 90% |

The threshold plan will be discontinued in 2002.

BellSouth will track the total LSR volume for each CLEC for each quarter. At the end of that time period, a Percent Electronic LSR calculation will be made for that quarter based on the LSR data tracked in the LCSC. If this percentage exceeds the threshold volume, all of that CLECs' future manual LSRs will be billed at the mechanized LSR rate. To allow time for obtaining and analyzing the data and updating the billing system, this billing change will take place on the first day of the second month following the end of the quarter (e.g. May 1 for 1Q, Aug 1 for 2Q, etc.). There will be no adjustments to the amount billed for previously billed LSRs.

Exclusions and Limitations On Services Available for Resale

| Type of Service | AL | | FL | | GA | | KY | | LA | | MS | | NC | | SC | | TN | |
|--|--------|----------|--------|----------|--------|----------|--------|----------|--------|----------|--------|----------|--------|----------|--------|----------|--------|----------|
| | Resale | Discount | Resale | Discount | Resale | Discount | Resale | Discount | Resale | Discount | Resale | Discount | Resale | Discount | Resale | Discount | Resale | Discount |
| 1 Grandfathered Services (Note 1) | Yes | Yes | Yes | Yes | Yes | Yes | Yes | Yes | Yes | Yes | Yes | Yes | Yes | Yes | Yes | Yes | Yes | Yes |
| 2 Contract Service Arrangements | Yes | Yes | Yes | Yes | Yes | Yes | Yes | Yes | Yes | Yes | Yes | Yes | Yes | Yes | Yes | Yes | Yes | Yes |
| 3 Promotions - > 90 Days(Note 2) | Yes | Yes | Yes | Yes | Yes | Yes | Yes | Yes | Yes | Yes | Yes | Yes | Yes | Yes | Yes | Yes | Yes | Note 3 |
| 4 Promotions - < 90 Days (Note 2) | Yes | No | Yes | No | Yes | No | Yes | No | Yes | No | Yes | No | Yes | No | Yes | No | Yes | No |
| 5 Lifeline/Link Up Services | Yes | Yes | Yes | Yes | Yes | Yes | Note 4 | Note 4 | Yes | Yes | Yes | Yes | Yes | Yes | Yes | Yes | Yes | Yes |
| 6 911/E911 Services | Yes | Yes | Yes | Yes | Yes | Yes | Yes | Yes | No | No | Yes | Yes | Yes | Yes | Yes | Yes | Yes | Yes |
| 7 N11 Services | Yes | Yes | Yes | Yes | Yes | Yes | No | No | No | No | Yes | Yes | Yes | Yes | No | No | Yes | Yes |
| 8 AdWatch SM Svc (See Note 6) | Yes | Yes | Yes | Yes | Yes | Yes | Yes | Yes | Yes | Yes | Yes | Yes | Yes | Yes | Yes | Yes | Yes | Yes |
| 9 MemoryCall [®] Service | Yes | No | Yes | No | Yes | No | Yes | No | Yes | No | Yes | No | Yes | No | Yes | No | Yes | No |
| 10 Mobile Services | Yes | No | Yes | No | Yes | No | Yes | No | Yes | No | Yes | No | Yes | No | Yes | No | Yes | No |
| 11 Federal Subscriber Line Charges | Yes | No | Yes | No | Yes | No | Yes | No | Yes | No | Yes | No | Yes | No | Yes | No | Yes | No |
| 12 Non-Recurring Charges | Yes | Yes | Yes | Yes | Yes | Yes | Yes | Yes | Yes | Yes | Yes | Yes | Yes | Yes | Yes | Yes | Yes | No |
| 13 End User Line Charge – Number Portability | Yes | No | Yes | No | Yes | No | Yes | No | Yes | No | Yes | No | Yes | No | Yes | No | Yes | No |
| 14 Public Telephone Access Service (PTAS) | Yes | Yes | Yes | Yes | Yes | Yes | Yes | Yes | Yes | Yes | Yes | Yes | Yes | Yes | Yes | No | Yes | Yes |

Exclusions and Limitations On Services Available for Resale

Applicable

Notes:

1. **Grandfathered services** can be resold only to existing subscribers of the grandfathered service.
2. Where available for resale, **promotions** will be made available only to end users who would have qualified for the promotion had it been provided by BellSouth directly.
3. In Tennessee, long-term **promotions** (offered for more than ninety (90) days) may be obtained at one of the following rates:
 - (a) the stated tariff rate, less the wholesale discount;
 - (b) the promotional rate (the promotional rate offered by BellSouth will not be discounted further by the wholesale discount rate)
4. **Lifeline/Link Up** services may be offered only to those subscribers who meet the criteria that BellSouth currently applies to subscribers of these services as set forth in Sections A3 and A4 of the BellSouth General Subscriber Services Tariff.
5. Some of BellSouth's local exchange and toll telecommunications services are not available in certain central offices and areas.
6. AdWatchSM Service is tariffed as BellSouth[®] AIN Virtual Number Call Detail Service.

**LINE INFORMATION DATA BASE (LIDB)
STORAGE AGREEMENT**

I. SCOPE

- A. This Agreement sets forth the terms and conditions pursuant to which BellSouth agrees to store in its LIDB certain information at the request of Accutel and pursuant to which BellSouth, its LIDB customers and Accutel shall have access to such information. Accutel understands that BellSouth provides access to information in its LIDB to various telecommunications service providers pursuant to applicable tariffs and agrees that information stored at the request of Accutel, pursuant to this Agreement, shall be available to those telecommunications service providers. The terms and conditions contained in the attached Addendum(s) are hereby made a part of this Agreement as if fully incorporated herein.
- B. LIDB is accessed for the following purposes:
1. Billed Number Screening
 2. Calling Card Validation
 3. Fraud Control
- C. BellSouth will provide seven days per week, 24-hours per day, fraud monitoring on Calling Cards, bill-to-third and collect calls made to numbers in BellSouth's LIDB, provided that such information is included in the LIDB query. BellSouth will establish fraud alert thresholds and will notify Accutel of fraud alerts so that Accutel may take action it deems appropriate. Accutel understands and agrees BellSouth will administer all data stored in the LIDB, including the data provided by Accutel pursuant to this Agreement, in the same manner as BellSouth's data for BellSouth's end user customers. BellSouth shall not be responsible to Accutel for any lost revenue which may result from BellSouth's administration of the LIDB pursuant to its established practices and procedures as they exist and as they may be changed by BellSouth in its sole discretion from time to time.

Accutel understands that BellSouth currently has in effect numerous billing and collection agreements with various interexchange carriers and billing clearing houses. Accutel further understands that these billing and collection customers of BellSouth query BellSouth's LIDB to determine whether to accept various billing options from end users. Additionally, Accutel understands that presently BellSouth has no method to differentiate between BellSouth's own billing and line data in the LIDB and such data which it includes in the LIDB on Accutel's behalf pursuant to this Agreement. Therefore, until such time as BellSouth can and does implement in its LIDB and its supporting systems the means to differentiate Accutel's data from BellSouth's data and the Parties to this Agreement execute appropriate amendments hereto, the following terms and conditions shall apply:

- (a) Accutel agrees that it will accept responsibility for telecommunications services billed by BellSouth for its billing and collection customers for Accutel's end user accounts which are resident in LIDB pursuant to this Agreement. Accutel authorizes BellSouth to place such charges on Accutel's bill from BellSouth and agrees that it shall pay all such charges. Charges for which Accutel hereby takes responsibility include, but are not limited to, collect and third number calls.
- (b) Charges for such services shall appear on a separate BellSouth bill page identified with the name of the entity for which BellSouth is billing the charge.
- (c) Accutel shall have the responsibility to render a billing statement to its end users for these charges, but Accutel's obligation to pay BellSouth for the charges billed shall be independent of whether Accutel is able or not to collect from Accutel's end users.
- (d) BellSouth shall not become involved in any disputes between Accutel and the entities for which BellSouth performs billing and collection. BellSouth will not issue adjustments for charges billed on behalf of an entity to Accutel. It shall be the responsibility of Accutel and the other entity to negotiate and arrange for any appropriate adjustments.

II. TERM

This Agreement will be effective as of _____, and will continue in effect for one year, and thereafter may be continued until terminated by either Party upon thirty (30) days written notice to the other Party.

III. FEES FOR SERVICE AND TAXES

- A. Accutel will not be charged a fee for storage services provided by BellSouth to Accutel, as described in Section I of this Agreement.
- B. Sales, use and all other taxes (excluding taxes on BellSouth's income) determined by BellSouth or any taxing authority to be due to any federal, state or local taxing jurisdiction with respect to the provision of the service set forth herein will be paid by Accutel. Accutel shall have the right to have BellSouth contest with the imposing jurisdiction, at Accutel's expense, any such taxes that Accutel deems are improperly levied.

IV. INDEMNIFICATION

To the extent not prohibited by law, each Party will indemnify the other and hold the other harmless against any loss, cost, claim, injury, or liability relating to or arising out of negligence or willful misconduct by the indemnifying Party or its agents or contractors in connection with the indemnifying Party's provision of services, provided, however, that any indemnity for any loss, cost, claim, injury or liability arising out of or relating to errors or omissions in the provision of services under this

Agreement shall be limited as otherwise specified in this Agreement. The indemnifying Party under this Section agrees to defend any suit brought against the other Party for any such loss, cost, claim, injury or liability. The indemnified Party agrees to notify the other Party promptly, in writing, of any written claims, lawsuits, or demands for which the other Party is responsible under this Section and to cooperate in every reasonable way to facilitate defense or settlement of claims. The indemnifying Party shall not be liable under this Section for settlement by the indemnified Party of any claim, lawsuit, or demand unless the defense of the claim, lawsuit, or demand has been tendered to it in writing and the indemnifying Party has unreasonably failed to assume such defense.

V. LIMITATION OF LIABILITY

Neither Party shall be liable to the other Party for any lost profits or revenues or for any indirect, incidental or consequential damages incurred by the other Party arising from this Agreement or the services performed or not performed hereunder, regardless of the cause of such loss or damage.

VI. MISCELLANEOUS

- A. It is understood and agreed to by the Parties that BellSouth may provide similar services to other companies.
- B. All terms, conditions and operations under this Agreement shall be performed in accordance with, and subject to, all applicable local, state or federal legal and regulatory tariffs, rulings, and other requirements of the federal courts, the U. S. Department of Justice and state and federal regulatory agencies. Nothing in this Agreement shall be construed to cause either Party to violate any such legal or regulatory requirement and either Party's obligation to perform shall be subject to all such requirements.
- C. Accutel agrees to submit to BellSouth all advertising, sales promotion, press releases, and other publicity matters relating to this Agreement wherein BellSouth's corporate or trade names, logos, trademarks or service marks or those of BellSouth's affiliated companies are mentioned or language from which the connection of said names or trademarks therewith may be inferred or implied; and Accutel further agrees not to publish or use advertising, sales promotions, press releases, or publicity matters without BellSouth's prior written approval.
- D. This Agreement constitutes the entire Agreement between Accutel and BellSouth which supersedes all prior Agreements or contracts, oral or written representations, statements, negotiations, understandings, proposals and undertakings with respect to the subject matter hereof.
- E. Except as expressly provided in this Agreement, if any part of this Agreement is held or construed to be invalid or unenforceable, the validity of any other Section of this Agreement shall remain in full force and effect to the extent permissible or appropriate in furtherance of the intent of this Agreement.

- F. Neither Party shall be held liable for any delay or failure in performance of any part of this Agreement for any cause beyond its control and without its fault or negligence, such as acts of God, acts of civil or military authority, government regulations, embargoes, epidemics, war, terrorist acts, riots, insurrections, fires, explosions, earthquakes, nuclear accidents, floods, strikes, power blackouts, volcanic action, other major environmental disturbances, unusually severe weather conditions, inability to secure products or services of other persons or transportation facilities, or acts or omissions of transportation common carriers.

- G. This Agreement shall be deemed to be a contract made under the laws of the State of Georgia, and the construction, interpretation and performance of this Agreement and all transactions hereunder shall be governed by the domestic law of such State.

**RESALE ADDENDUM
TO LINE INFORMATION DATA BASE (LIDB)
STORAGE AGREEMENT**

This is a Resale Addendum to the Line Information Data Base Storage Agreement dated _____, 2000, between BellSouth Telecommunications, Inc. (“BellSouth”), and Accutel (“Accutel”), effective the _____ day of _____, 2000.

I. GENERAL

This Addendum sets forth the terms and conditions for Accutel’s provision of billing number information to BellSouth for inclusion in BellSouth’s LIDB. BellSouth will store in its LIDB the billing number information provided by Accutel, and BellSouth will provide responses to on-line, call-by-call queries to this information for purposes specified in Section I.B. of the Agreement.

II. DEFINITIONS

- A. Billing number - a number used by BellSouth for the purpose of identifying an account liable for charges. This number may be a line or a special billing number.
- B. Line number - a ten-digit number assigned by BellSouth that identifies a telephone line associated with a resold local exchange service, or with a SPNP arrangement.
- C. Special billing number - a ten-digit number that identifies a billing account established by BellSouth in connection with a resold local exchange service or with a SPNP arrangement.
- D. Calling Card number - a billing number plus PIN number assigned by BellSouth.
- E. PIN number - a four digit security code assigned by BellSouth which is added to a billing number to compose a fourteen digit calling card number.
- F. Toll billing exception indicator - associated with a billing number to indicate that it is considered invalid for billing of collect calls or third number calls or both, by the Accutel.
- G. Billed Number Screening - refers to the activity of determining whether a toll billing exception indicator is present for a particular billing number.
- H. Calling Card Validation - refers to the activity of determining whether a particular calling card number exists as stated or otherwise provided by a caller.

- I. Billing number information - information about billing number or Calling Card number as assigned by BellSouth and toll billing exception indicator provided to BellSouth by the Accutel.

III. RESPONSIBILITIES OF PARTIES

- A. BellSouth will include billing number information associated with resold exchange lines or SPNP arrangements in its LIDB. The Accutel will request any toll billing exceptions via the Local Service Request (LSR) form used to order resold exchange lines, or the SPNP service request form used to order SPNP arrangements.
- B. Under normal operating conditions, BellSouth shall include the billing number information in its LIDB upon completion of the service order establishing either the resold local exchange service or the SPNP arrangement, provided that BellSouth shall not be held responsible for any delay or failure in performance to the extent such delay or failure is caused by circumstances or conditions beyond BellSouth's reasonable control. BellSouth will store in its LIDB an unlimited volume of the working telephone numbers associated with either the resold local exchange lines or the SPNP arrangements. For resold local exchange lines or for SPNP arrangements, BellSouth will issue line-based calling cards only in the name of Accutel. BellSouth will not issue line-based calling cards in the name of Accutel's individual end users. In the event that Accutel wants to include calling card numbers assigned by the Accutel in the BellSouth LIDB, a separate agreement is required.
- C. BellSouth will provide responses to on-line, call-by-call queries to the stored information for the specific purposes listed in the next paragraph.
- D. BellSouth is authorized to use the billing number information to perform the following functions for authorized users on an on-line basis:
 1. Validate a 14 digit Calling Card number where the first 10 digits are a line number or special billing number assigned by BellSouth, and where the last four digits (PIN) are a security code assigned by BellSouth.
 2. Determine whether the Accutel has identified the billing number as one which should not be billed for collect or third number calls, or both.

RAO Hosting

1. RAO Hosting, Calling Card and Third Number Settlement System (CATS) and Non-Intercompany Settlement System (NICS) services provided to Accutel by BellSouth will be in accordance with the methods and practices regularly adopted and applied by BellSouth to its own operations during the term of this Agreement, including such revisions as may be made from time to time by BellSouth.
2. Accutel shall furnish all relevant information required by BellSouth for the provision of RAO Hosting, CATS and NICS.
3. Applicable compensation amounts will be billed by BellSouth to Accutel on a monthly basis in arrears. Amounts due from one Party to the other (excluding adjustments) are payable within thirty (30) days of receipt of the billing statement.
4. Accutel must have its own unique RAO code. Requests for establishment of RAO status where BellSouth is the selected Centralized Message Distribution System (CMDS) interfacing host, require written notification from Accutel to the BellSouth RAO Hosting coordinator at least eight (8) weeks prior to the proposed effective date. The proposed effective date will be mutually agreed upon between the Parties with consideration given to time necessary for the completion of required Telcordia (formerly BellCore) functions. BellSouth will request the assignment of an RAO code from its connecting contractor, currently Telcordia (formerly BellCore), on behalf of Accutel and will coordinate all associated conversion activities.
5. BellSouth will receive messages from Accutel that are to be processed by BellSouth, another LEC or CLEC in the BellSouth region or a LEC outside the BellSouth region.
6. BellSouth will perform invoice sequence checking, standard EMI format editing, and balancing of message data with the EMI trailer record counts on all data received from Accutel.
7. All data received from Accutel that is to be processed or billed by another LEC or CLEC within the BellSouth region will be distributed to that LEC or CLEC in accordance with the agreement(s) which may be in effect between BellSouth and the involved LEC or CLEC.
8. All data received from Accutel that is to be placed on the CMDS network for distribution outside the BellSouth region will be handled in accordance with the agreement(s) which may be in effect between BellSouth and its connecting contractor (currently Telcordia (formerly BellCore)).
9. BellSouth will receive messages from the CMDS network that are destined to be processed by Accutel and will forward them to Accutel on a daily basis.

10. Transmission of message data between BellSouth and Accutel will be via CONNECT:Direct.
11. All messages and related data exchanged between BellSouth and Accutel will be formatted in accordance with accepted industry standards for EMI formatted records and packed between appropriate EMI header and trailer records, also in accordance with accepted industry standards.
12. Accutel will ensure that the recorded message detail necessary to recreate files provided to BellSouth will be maintained for back-up purposes for a period of three (3) calendar months beyond the related message dates.
13. Should it become necessary for Accutel to send data to BellSouth more than sixty (60) days past the message date(s), Accutel will notify BellSouth in advance of the transmission of the data. If there will be impacts outside the BellSouth region, BellSouth will work with its connecting contractor and Accutel to notify all affected Parties.
14. In the event that data to be exchanged between the two Parties should become lost or destroyed, both Parties will work together to determine the source of the problem. Once the cause of the problem has been jointly determined and the responsible Party (BellSouth or Accutel) identified and agreed to, the company responsible for creating the data (BellSouth or Accutel) will make every effort to have the affected data restored and retransmitted. If the data cannot be retrieved, the responsible Party will be liable to the other Party for any resulting lost revenue. Lost revenue may be a combination of revenues that could not be billed to the end users and associated access revenues. Both Parties will work together to estimate the revenue amount based upon historical data through a method mutually agreed upon. The resulting estimated revenue loss will be paid by the responsible Party to the other Party within three (3) calendar months of the date of problem resolution, or as mutually agreed upon by the Parties.
15. Should an error be detected by the EMI format edits performed by BellSouth on data received from Accutel, the entire pack containing the affected data will not be processed by BellSouth. BellSouth will notify Accutel of the error condition. Accutel will correct the error(s) and will resend the entire pack to BellSouth for processing. In the event that an out-of-sequence condition occurs on subsequent packs, Accutel will resend these packs to BellSouth after the pack containing the error has been successfully reprocessed by BellSouth.
16. In association with message distribution service, BellSouth will provide Accutel with associated intercompany settlements reports (CATS and NICS) as appropriate.

17. In no case shall either Party be liable to the other for any direct or consequential damages incurred as a result of the obligations set out in this agreement.
18. RAO Compensation
- 18.1 Rates for message distribution service provided by BellSouth for Accutel are as set forth in Exhibit A to this Attachment.
- 18.2 Rates for data transmission associated with message distribution service are as set forth in Exhibit A to this Attachment .
- 18.3 Data circuits (private line or dial-up) will be required between BellSouth and Accutel for the purpose of data transmission. Where a dedicated line is required, Accutel will be responsible for ordering the circuit, overseeing its installation and coordinating the installation with BellSouth. Accutel will also be responsible for any charges associated with this line. Equipment required on the BellSouth end to attach the line to the mainframe computer and to transmit successfully ongoing will be negotiated on a case by case basis. Where a dial-up facility is required, dial circuits will be installed in the BellSouth data center by BellSouth and the associated charges assessed to Accutel. Additionally, all message toll charges associated with the use of the dial circuit by Accutel will be the responsibility of Accutel. Associated equipment on the BellSouth end, including a modem, will be negotiated on a case by case basis between the Parties.
- 18.4 All equipment, including modems and software, that is required on the Accutel end for the purpose of data transmission will be the responsibility of Accutel.
19. Intercompany Settlements Messages
- 19.1 This Section addresses the settlement of revenues associated with traffic originated from or billed by Accutel as a facilities based provider of local exchange telecommunications services outside the BellSouth region. Only traffic that originates in one Bell operating territory and bills in another Bell operating territory is included. Traffic that originates and bills within the same Bell operating territory will be settled on a local basis between Accutel and the involved company(ies), unless that company is participating in NICS.
- 19.2 Both traffic that originates outside the BellSouth region by Accutel and is billed within the BellSouth region, and traffic that originates within the BellSouth region and is billed outside the BellSouth region by Accutel, is covered by this Agreement (CATS). Also covered is traffic that either is originated by or billed by Accutel, involves a company other than Accutel, qualifies for inclusion in the CATS settlement, and is not originated or billed within the BellSouth region (NICS).

- 19.3 Once Accutel is operating within the BellSouth territory, revenues associated with calls originated and billed within the BellSouth region will be settled via Telcordia (formerly BellCore)'s, its successor or assign, NICS system.
- 19.4 BellSouth will receive the monthly NICS reports from Telcordia (formerly BellCore), its successor or assign, on behalf of Accutel. BellSouth will distribute copies of these reports to Accutel on a monthly basis.
- 19.5 BellSouth will receive the monthly Calling Card and Third Number Settlement System (CATS) reports from Telcordia (formerly BellCore), its successor or assign, on behalf of Accutel. BellSouth will distribute copies of these reports to Accutel on a monthly basis.
- 19.6 BellSouth will collect the revenue earned by Accutel from the Bell operating company in whose territory the messages are billed (CATS), less a per message billing and collection fee of five cents (\$0.05), on behalf of Accutel. BellSouth will remit the revenue billed by Accutel to the Bell operating company in whose territory the messages originated, less a per message billing and collection fee of five cents (\$0.05), on behalf on Accutel. These two amounts will be netted together by BellSouth and the resulting charge or credit issued to Accutel via a monthly Carrier Access Billing System (CABS) miscellaneous bill.
- 19.7 BellSouth will collect the revenue earned by Accutel within the BellSouth territory from another CLEC also within the BellSouth territory (NICS) where the messages are billed, less a per message billing and collection fee of five cents (\$0.05), on behalf of Accutel. BellSouth will remit the revenue billed by Accutel within the BellSouth region to the CLEC also within the BellSouth region, where the messages originated, less a per message billing and collection fee of five cents (\$0.05). These two amounts will be netted together by BellSouth and the resulting charge or credit issued to Accutel via a monthly Carrier Access Billing System (CABS) miscellaneous bill.

BellSouth and Accutel agree that monthly netted amounts of less than fifty dollars (\$50.00) will not be settled.

Optional Daily Usage File

1. Upon written request from Accutel, BellSouth will provide the Optional Daily Usage File (ODUF) service to Accutel pursuant to the terms and conditions set forth in this section.
2. Accutel shall furnish all relevant information required by BellSouth for the provision of the Optional Daily Usage File.
3. The Optional Daily Usage Feed will contain billable messages that were carried over the BellSouth Network and processed in the BellSouth Billing System, but billed to a Accutel customer.

Charges for delivery of the Optional Daily Usage File will appear on Accutels' monthly bills. The charges are as set forth in Exhibit A to this Attachment.

4. The Optional Daily Usage Feed will contain both rated and unrated messages. All messages will be in the standard Alliance for Telecommunications Industry Solutions (ATIS) EMI record format.
5. Messages that error in Accutel's billing system will be the responsibility of Accutel. If, however, Accutel should encounter significant volumes of errored messages that prevent processing by Accutel within its systems, BellSouth will work with the to determine the source of the errors and the appropriate resolution.
6. The following specifications shall apply to the Optional Daily Usage Feed.

6.1 Usage To Be Transmitted

- 6.1.1 The following messages recorded by BellSouth will be transmitted to Accutel:

- Message recording for per use/per activation type services (examples: Three Way Calling, Verify, Interrupt, Call Return, ETC.)
- Measured billable Local
- Directory Assistance messages
- IntraLATA Toll
- WATS & 800 Service
- N11

- Information Service Provider Messages
 - Operator Services Messages
 - Operator Services Message Attempted Calls (UNE only)
 - Credit/Cancel Records
 - Usage for Voice Mail Message Service
- 6.1.2 Rated Incollects (originated in BellSouth and from other companies) can also be on Optional Daily Usage File. Rated Incollects will be intermingled with BellSouth recorded rated and unrated usage. Rated Incollects will not be packed separately.
- 6.1.3 BellSouth will perform duplicate record checks on records processed to Optional Daily Usage File. Any duplicate messages detected will be deleted and not sent to Accutel.
- 6.1.4 In the event that Accutel detects a duplicate on Optional Daily Usage File they receive from BellSouth, Accutel will drop the duplicate message (Accutel will not return the duplicate to BellSouth).
- 6.2 Physical File Characteristics
- 6.2.1 The Optional Daily Usage File will be distributed to Accutel via an agreed medium with CONNECT:Direct being the preferred transport method. The Daily Usage Feed will be a variable block format (2476) with an LRECL of 2472. The data on the Daily Usage Feed will be in a non-compacted EMI format (175 byte format plus modules). It will be created on a daily basis (Monday through Friday except holidays). Details such as dataset name and delivery schedule will be addressed during negotiations of the distribution medium. There will be a maximum of one dataset per workday per OCN.
- 6.2.2 Data circuits (private line or dial-up) may be required between BellSouth and Accutel for the purpose of data transmission. Where a dedicated line is required, Accutel will be responsible for ordering the circuit, overseeing its installation and coordinating the installation with BellSouth. Accutel will also be responsible for any charges associated with this line. Equipment required on the BellSouth end to attach the line to the mainframe computer and to transmit successfully ongoing will be negotiated on a case by case basis. Where a dial-up facility is required, dial circuits will be installed in the BellSouth data center by BellSouth and the associated charges assessed to Accutel. Additionally, all message toll charges associated with the use of the dial circuit by Accutel will be the responsibility of Accutel. Associated equipment on the BellSouth end, including a modem, will be negotiated on a case by case basis between

the parties. All equipment, including modems and software, that is required on Accutel end for the purpose of data transmission will be the responsibility of Accutel.

6.3 Packing Specifications

6.3.1 A pack will contain a minimum of one message record or a maximum of 99,999 message records plus a pack header record and a pack trailer record. One transmission can contain a maximum of 99 packs and a minimum of one pack.

6.3.2 The OCN, From RAO, and Invoice Number will control the invoice sequencing. The From RAO will be used to identify to Accutel which BellSouth RAO that is sending the message. BellSouth and Accutel will use the invoice sequencing to control data exchange. BellSouth will be notified of sequence failures identified by Accutel and resend the data as appropriate.

THE DATA WILL BE PACKED USING ATIS EMI RECORDS.

6.4 Pack Rejection

6.4.1 Accutel will notify BellSouth within one business day of rejected packs (via the mutually agreed medium). Packs could be rejected because of pack sequencing discrepancies or a critical edit failure on the Pack Header or Pack Trailer records (i.e. out-of-balance condition on grand totals, invalid data populated). Standard ATIS EMI Error Codes will be used. Accutel will not be required to return the actual rejected data to BellSouth. Rejected packs will be corrected and retransmitted to Accutel by BellSouth.

6.5 Control Data

Accutel will send one confirmation record per pack that is received from BellSouth. This confirmation record will indicate Accutel received the pack and the acceptance or rejection of the pack. Pack Status Code(s) will be populated using standard ATIS EMI error codes for packs that were rejected by Accutel for reasons stated in the above section.

6.6 Testing

6.6.1 Upon request from Accutel, BellSouth shall send test files to Accutel for the Optional Daily Usage File. The parties agree to review and discuss the file's content and/or format. For testing of usage results, BellSouth shall request that Accutel set up a production (LIVE) file. The live test may consist of Accutel's employees making test calls for the types of services Accutel requests on the Optional Daily Usage File. These test calls are logged by Accutel, and the logs are provided to BellSouth. These logs will be used to verify the files. Testing will be completed within 30 calendar days from the date on which the initial test file was sent.

Enhanced Optional Daily Usage File

1. Upon written request from Accutel, BellSouth will provide the Enhanced Optional Daily Usage File (EODUF) service to Accutel pursuant to the terms and conditions set forth in this section. EODUF will only be sent to existing ODUF subscribers who request the EODUF option.
2. The Accutel shall furnish all relevant information required by BellSouth for the provision of the Enhanced Optional Daily Usage File.
3. The Enhanced Optional Daily Usage File (EODUF) will provide usage data for local calls originating from resold Flat Rate Business and Residential Lines.
4. Charges for delivery of the Enhanced Optional Daily Usage File will appear on Accutels' monthly bills. The charges are as set forth in Exhibit A to this Attachment.
5. All messages will be in the standard Alliance for Telecommunications Industry Solutions (ATIS) EMI record format.
6. Messages that error in the billing system of Accutel will be the responsibility of Accutel. If, however, Accutel should encounter significant volumes of errored messages that prevent processing by Accutel within its systems, BellSouth will work with Accutel to determine the source of the errors and the appropriate resolution.
7. The following specifications shall apply to the Optional Daily Usage Feed.

7.1 Usage To Be Transmitted

- 7.1.1 The following messages recorded by BellSouth will be transmitted to Accutel:

Customer usage data for flat rated local call originating from Accutel's end user lines (1FB or 1FR). The EODUF record for flat rate messages will include:

- Date of Call
- From Number
- To Number
- Connect Time
- Conversation Time
- Method of Recording
- From RAO
- Rate Class
- Message Type
- Billing Indicators
- Bill to Number

7.1.2 BellSouth will perform duplicate record checks on EODUF records processed to Optional Daily Usage File. Any duplicate messages detected will be deleted and not sent to Accutel.

7.1.3 In the event that Accutel detects a duplicate on Enhanced Optional Daily Usage File they receive from BellSouth, Accutel will drop the duplicate message (Accutel will not return the duplicate to BellSouth).

7.2 Physical File Characteristics

7.2.1 The Enhanced Optional Daily Usage Feed will be distributed to Accutel over their existing Optional Daily Usage File (ODUF) feed. The EODUF messages will be intermingled among Accutel's Optional Daily Usage File (ODUF) messages. The EODUF will be a variable block format (2476) with an LRECL of 2472. The data on the EODUF will be in a non-compacted EMI format (175 byte format plus modules). It will be created on a daily basis (Monday through Friday except holidays).

7.2.2 Data circuits (private line or dial-up) may be required between BellSouth and Accutel for the purpose of data transmission. Where a dedicated line is required, Accutel will be responsible for ordering the circuit, overseeing its installation and coordinating the installation with BellSouth. Accutel will also be responsible for any charges associated with this line. Equipment required on the BellSouth end to attach the line to the mainframe computer and to transmit successfully ongoing will be negotiated on a case by case basis. Where a dial-up facility is required, dial circuits will be installed in the BellSouth data center by BellSouth and the associated charges assessed to Accutel. Additionally, all message toll charges associated with the use of the dial circuit by Accutel will be the responsibility of Accutel. Associated equipment on the BellSouth end, including a modem, will be negotiated on a case by case basis between the parties. All equipment, including modems and software, that is required on Accutel's end for the purpose of data transmission will be the responsibility of Accutel.

7.3 Packing Specifications

7.3.1 A pack will contain a minimum of one message record or a maximum of 99,999 message records plus a pack header record and a pack trailer record. One transmission can contain a maximum of 99 packs and a minimum of one pack.

7.3.2 The Operating Company Number (OCN), From Revenue Accounting Office (RAO), and Invoice Number will control the invoice sequencing. The From RAO will be used to identify to Accutel which BellSouth RAO that is sending the message. BellSouth and Accutel will use the invoice sequencing to control data exchange. BellSouth will be notified of sequence failures identified by Accutel and resend the data as appropriate.

THE DATA WILL BE PACKED USING ATIS EMI RECORDS.

BELLSOUTH/Accutel RATES
 ODUF/EODUF/CMDS

RATES BY STATE

| DESCRIPTION | USOC | AL | FL | GA | KY | LA | MS | NC | SC | TN |
|--|------|-------------|-------------|-------------|-------------|-------------|-------------|-------------|-------------|-------------|
| ODUF/EODUF/CMDS | | | | | | | | | | |
| ODUF: Recording, per message | N/A | \$0.0002 | \$0.008 | \$0.008 | \$0.0008611 | \$0.00019 | \$0.0001179 | \$0.008 | \$0.0002862 | \$0.008 |
| ODUF: Message Processing, per message | N/A | \$0.0033 | \$0.004 | \$0.004 | \$0.0032357 | \$0.0024 | \$0.0032089 | \$0.004 | \$0.0032344 | \$0.004 |
| EODUF: Message Processing, per message | N/A | \$0.004 | \$0.004 | \$0.004 | \$0.004 | \$0.004 | \$0.004 | \$0.004 | \$0.004 | \$0.004 |
| CMDS: Message Processing, per message | N/A | \$0.004 | \$0.004 | \$0.004 | \$0.004 | \$0.004 | \$0.004 | \$0.004 | \$0.004 | \$0.004 |
| ODUF: Message Processing, per magnetic tape provisioned | N/A | \$55.19 | \$54.95 | \$54.95 | \$55.68 | \$47.30 | \$54.62 | \$54.95 | \$54.72 | \$54.95 |
| EODUF: Message Processing, per magnetic tape provisioned | N/A | \$47.30 | \$47.30 | \$47.30 | \$47.30 | \$47.30 | \$47.30 | \$47.30 | \$47.30 | \$47.30 |
| ODUF: Data Transmission (CONNECT:DIRECT), per message | N/A | \$0.00004 | \$0.001 | \$0.001 | \$0.0000365 | \$0.00003 | \$0.0000354 | \$0.001 | \$0.0000357 | \$0.001 |
| EODUF: Data Transmission (CONNECT:DIRECT), per message | N/A | \$0.0000364 | \$0.0000364 | \$0.0000364 | \$0.0000364 | \$0.0000364 | \$0.0000364 | \$0.0000364 | \$0.0000364 | \$0.0000364 |
| CMDS: Data Transmission (CONNECT:DIRECT), per message | N/A | \$0.001 | \$0.001 | \$0.001 | \$0.001 | \$0.001 | \$0.001 | \$0.001 | \$0.001 | \$0.001 |
| * Volume and term arrangements are also available. | | | | | | | | | | |

NOTES:

If no rate is identified in the contract, the rate for the specific service or function will be as set forth in applicable BellSouth tariff or as negotiated by the parties upon request by either party.

Attachment 2
Network Elements and Other Services

TABLE OF CONTENTS

| | |
|---|------------------|
| 1. INTRODUCTION | 3 |
| 2. UNBUNDLED LOOPS, INTEGRATED DIGITAL LOOP CARRIERS, NETWORK INTERFACES DEVICE, UNBUNDLED LOOP CONCENTRATION (ULC) SYSTEM, SUB LOOPS AND DARK FIBER ... | 5 |
| 3. SWITCHING..... | 19 |
| 4. ENHANCED EXTENDED LINK (EEL) | 31 |
| 5. PORT/LOOP COMBINATIONS | 33 |
| 6. TRANSPORT AND DARK FIBER..... | 35 |
| 7. BELLSOUTH SWA 8XX TOLL FREE DIALING TEN DIGIT SCREENING SERVICE | 44 |
| 8. LINE INFORMATION DATABASE (LIDB)..... | 46 |
| 9. SIGNALING..... | 49 |
| 10. OPERATOR CALL PROCESSING, INWARD OPERATOR SERVICES AND DIRECTORY ASSISTANCE SERVICES..... | 58 |
| 11. CALLING NAME (CNAM) DATABASE SERVICE..... | 65 |
| 12. BASIC 911 AND E911 | 67 |
| 13. TRUE-UP..... | 68 |
| LIDB Storage Agreement..... | Exhibit A |
| CNAM Database Services..... | Exhibit B |
| Rates..... | Exhibit C |

ACCESS TO NETWORK ELEMENTS AND OTHER SERVICES

1. Introduction

- 1.1. This Attachment sets forth the unbundled network elements and combinations of unbundled network elements that BellSouth agrees to offer to Accutel in accordance with its obligations under Section 251(c)(3) of the Act. The specific terms and conditions that apply to the unbundled network elements are described below in this Attachment 2. The price for each unbundled network element and combination of unbundled Network Elements are set forth in Exhibit A of this Agreement. As an option, deaveraged rates, where available, are included in Exhibit A. Where deaveraged rates are available, Accutel is required to choose either deaveraged rates, which are zone specific, or statewide rates.
- 1.2. For purposes of this Agreement, "Network Element" is defined to mean a facility or equipment provided by BellSouth on an unbundled basis as is used by the CLEC in the provision of a telecommunications service. These unbundled network elements will be consistent with the requirements of the FCC 319 rule. For purposes of this Agreement, combinations of Network Elements shall be referred to as "Combinations."
 - 1.2.1. Except as otherwise required by law, BellSouth shall not impose limitation restrictions or requirements or request for the use of the network elements or combinations that would impair the ability of Accutel to offer telecommunications service in the manner Accutel intends.
 - 1.2.2. Except upon request by Accutel, BellSouth shall not separate requested network elements that BellSouth currently combines.
 - 1.2.2.1. Unless otherwise ordered by an appropriate state or federal regulatory agency, currently combined Network Elements are defined as elements that are already combined within BellSouth's network to a given location.
- 1.3. BellSouth shall, upon request of Accutel, and to the extent technically feasible, provide to Accutel access to its network elements for the provision of Accutel's telecommunications service. If no rate is identified in the contract, the rate for the specific service or function will be as set forth in applicable BellSouth tariff or as negotiated by the Parties upon request by either Party.
- 1.4. Accutel may purchase network elements and other services from BellSouth for the purpose of combining such network elements in any manner Accutel chooses to provide telecommunication services to its intended users, including recreating

- existing BellSouth services. With the exception of the sub-loop elements which are located outside of the central office, BellSouth shall deliver the network elements purchased by Accutel for combining to the designated Accutel collocation space. The network elements shall be provided as set forth in this Attachment.
- 1.5. Subject to applicable and effective FCC Rules and Orders as well as effective State Commission Orders, BellSouth will offer combinations of network elements pursuant to such orders. BellSouth will provide the following combined network elements for purchase by Accutel. The rate of the following combined network elements is the sum of the individual element prices as set forth in this Attachment. Order Coordination as defined in Section 2 of Attachment 2 of this Agreement is available for each of these combinations:
- SL2 loop and cross connect
 - Port and cross connect
 - Port and cross connect and common (shared) transport
 - Port and vertical features
 - SL2 Loop with loop concentration
 - Port and common (shared) transport
 - SL2 Loop and LNP
- 1.6. BellSouth shall comply with the requirements as set forth in the technical references within Attachment 2 to the extent that they are consistent with the greater of BellSouth's actual performance or applicable industry standards.
- 1.7. In the event that any effective legislative, regulatory, judicial or other legal action modifies or redefines the "Network Elements" in a manner which materially affects the terms of this Attachment or the Network Elements and/or prices set forth herein, either Party may, on thirty (30) days written notice, require renegotiation of such terms, and the Parties shall renegotiate in good faith such new terms in accordance with such legislative, regulatory, judicial or other legal action. In the event such new terms are not renegotiated within ninety (90) days after the notice for renegotiation, either Party may petition the Commission for resolution of the dispute between the Parties. Each Party reserves the right to seek judicial review of any Commission ruling concerning this Attachment.
- 1.8. Accutel will adopt and adhere to the standards contained in the applicable CLEC Work Center Operational Understanding Agreement regarding maintenance and installation of service.
- 1.9. Standards for Network Elements
- 1.9.1 BellSouth shall comply with the requirements set forth in the technical references, as well as any performance or other requirements identified in this Agreement, to the

- extent that they are consistent with the greater of BellSouth's actual performance or applicable industry standards.
- 1.9.2 If one or more of the requirements set forth in this Agreement are in conflict, the parties shall mutually agree on which requirement shall apply. If the parties cannot reach agreement, the dispute resolution process set forth in Section 12 of the General Terms and Conditions of this Agreement, incorporated herein by this reference, shall apply.
- 2. Unbundled Loops, Integrated Digital Loop Carriers, Network Interfaces Device, Unbundled Loop Concentration (ULC) System, Sub loops and Dark Fiber**
- All of the negotiated rates, terms and conditions set forth in this Section pertain to the provision of unbundled loops.
- 2.1 Unbundled Loops**
- 2.1.1 Definition
- 2.1.2 The local loop network element ("Loop(s)") is defined as a transmission facility between a distribution frame (or its equivalent) in BellSouth's central office and the loop demarcation point at an end-user customer premises, including inside wire owned by BellSouth. The local loop network element includes all features, functions, and capabilities of the transmission facilities, including dark fiber and attached electronics (except those used for the provision of advanced services, such as Digital Subscriber Line Access Multiplexers) and line conditioning. The loop shall include the use of all test access functionality, including without limitation, smart jacks, for both voice and data.
- 2.1.3 The provisioning of service to a CLEC will require cross-office cabling and cross-connections within the central office to connect the loop to a local switch or to other transmission equipment in collocation space. These cross-connects are a separate element and are not considered a part of the loop.
- 2.1.4 BellSouth Order Coordination referenced in Attachment 2 includes two types: "Order Coordination" and "Order Coordination - Time Specific."
- 2.1.5 "Order Coordination" refers to standard BellSouth service order coordination involving SL2 voice loops and all digital loops. Order coordination for physical conversions will be scheduled at BellSouth's discretion during normal working hours on the committed due date and Accutel advised.
- 2.1.6 "Order Coordination – Time Specific" refers to service order coordination in which Accutel requests a specific time for a service order conversion to take place. Loops on a single service order of 14 or more loops will be provisioned on a project basis.

- This is a chargeable option for any coordinated order and is billed in addition to the OC charge. Accutel may specify a time between 9:00 a.m. and 4:00 p.m. (location time) Monday through Friday (excluding holidays). If Accutel specifies a time outside this window, or selects a time or quantity of loops that requires BellSouth technicians to work outside normal work hours, overtime charges will apply in addition to the OC and OC-TS charges. Overtime charges will be applied according to actual costs based on type of force group required to perform the work, overtime hours worked and any special circumstances.
- 2.1.7 Where facilities are available, BellSouth will install loops within a 5-7 business days interval. For orders of 14 or more loops, the installation will be handled on a project basis and the intervals will be set by the BellSouth project manager for that order. Some loops require a Service Inquiry (SI) to determine if facilities are available prior to issuing the order. The interval for the SI process is separate from the installation interval. For expedite requests by Accutel, expedite charges will apply for intervals less than 5 days. The charges outlined in BellSouth's FCC # 1 Tariff, Section 5.1.1, will apply. If Accutel cancels an order for network elements and other services, any costs incurred by BellSouth in conjunction with the provisioning of that order will be recovered in accordance with FCC #1 Tariff, Section 5.4.
- 2.1.8 If Accutel modifies an order after being sent a Firm Order Confirmation (FOC) from BellSouth, any costs incurred by BellSouth to accommodate the modification will be reimbursed by Accutel.
- 2.1.9 BellSouth will offer Unbundled Voice Loops (UVL) in two different service levels - Service Level One (SL1) and Service Level Two (SL2).
- 2.1.10 SL1 loops will be non-designed, will not have test points, and will not come with any Order Coordination (OC) or engineering information/circuit make-up data. Upon issuance of an order in the service order system, SL1 loops will be activated on the due date in the same manner and time frames that BellSouth normally activates POTS-type loops for its customers. If Accutel requests work to be done for SL1s that requires BellSouth technicians to work outside normal work hours, overtime charges will be applied according to actual costs based on type of force group required to perform the work, overtime hours worked and any special circumstances.
- 2.1.11 SL2 loops shall have test points, with or without conditioning, will be designed with a design layout record provided to Accutel, and will be provided with OC. The OC feature will allow Accutel to coordinate the installation of the loop with the disconnect of an existing customer's service and/or number portability service. In these cases, BellSouth will perform the order conversion with standard order coordination at its discretion during normal work hours.

- 2.1.12 BellSouth will also offer Unbundled Digital Loops (UDL). They will be designed, will be provisioned with test points (where appropriate), and will come standard with Order Coordination and a Design Layout Record (DLR).
- 2.1.13 As a chargeable option on all loops except UVL-SL1 and UCL, BellSouth will offer Order Coordination - Time Specific (OC-TS). This will allow Accutel the ability to specify the time that the coordinated conversion takes place. The OC-TS charge for orders due on the same day at the same location will be applied on a per Local Service Request (LSR) basis.
- 2.1.14 Accutel will be responsible for testing and isolating troubles on the loops. Once Accutel has isolated a trouble to the BellSouth provided loop, Accutel will issue a trouble to BellSouth on the loop. BellSouth will take the actions necessary to repair the loop if a trouble actually exists. BellSouth will repair these loops in the same time frames that BellSouth repairs similarly situated loops to its customers.
- 2.1.15 If Accutel reports a trouble on SL1 loops and no trouble actually exists, BellSouth will charge Accutel for any dispatching and testing (both inside and outside the CO) required by BellSouth in order to confirm the loop's working status.
- 2.1.16 If Accutel reports a trouble on SL2 loops and no trouble actually exists, BellSouth will charge Accutel for any dispatching and testing, (outside the CO) required by BellSouth in order to confirm the loop's working status.
- 2.1.17 In addition to the UVLs and UDLs, BellSouth shall make available an Unbundled Copper Loop (UCL). The UCL will be a copper twisted pair loop that is unencumbered by any intervening equipment (e.g., filters, load coils, range extenders, digital loop carrier, or repeaters). The UCL will be offered in two versions - Short and Long. A short UCL (18 kft or less) will be provisioned according to Resistance Design parameters. The long UCL (beyond 18kft) will be used when a CLEC wants to condition copper loops longer than 18kft by removing load coils and other intervening equipment. BST will only ensure electrical continuity and balance relative to tip and ring on UCLs.
- 2.1.18 The UCL will be a designed circuit, with or without conditioning, provisioned with a test point and come standard with a DLR. OC will be offered as a chargeable option on all UCL loops. Order Coordination – Time Specific (OC-TS) will not be offered on UCLs.
- 2.1.19 The UCL is a dry cooper loop and is not intended to support any particular telecommunications service. Accutel may use the UCL loop for a variety of services, including xDSL (e.g., ADSL and HDSL) services, by attaching appropriate terminal

- equipment of Accutel's choosing. Accutel will determine the type of service that will be provided over the loop.
- 2.1.20 Because the UCL loop shall be an unbundled loop offering that is separate and distinct from BellSouth's ADSL and HDSL capable loop offerings, CLEC agrees that BellSouth's UCL loop will not be held to the service level and performance expectations that apply to its ADSL and HDSL unbundled loop offerings. BellSouth shall only be obligated to maintain copper continuity and provide balance relative to tip and ring on UCL loops.
- 2.1.21 The UCL loop shall be provided to CLEC in accordance with BellSouth's Technical Reference 73600.
- 2.1.22 Technical Requirements
- 2.1.22.1 To the extent available within BellSouth's Network at a particular location, BellSouth will offer loops capable of supporting telecommunications services such as: POTS, Centrex, basic rate ISDN, analog PBX, voice grade private line, ADSL, HDSL, DS1 and digital data (up to 64 kb/s). If a requested loop type is not available, then the CLEC can use the Special Construction process to request that BellSouth place facilities or otherwise modify facilities in order to meet Accutel's request.
- 2.1.22.2 Accutel will be responsible for providing BellSouth with a Service Profile Identifier (SPID) associated with a particular ISDN-capable loop and end user. With the SPID, BellSouth will be able to adequately test the circuit and ensure that it properly supports ISDN service.
- 2.1.22.3 The loop will support the transmission, signaling, performance and interface requirements of the services described in 2.1.3 above. It is recognized that the requirements of different services are different, and that a number of types or grades of loops are required to support these services. Services provided over the loop by Accutel will be consistent with industry standards and BellSouth's TR73600.
- 2.1.22.4 Accutel may utilize the unbundled loops to provide any telecommunication service it wishes. However, BellSouth will only provision, maintain and repair the loops to the standards that are consistent with the type of loop ordered. For example, if Accutel orders an ISDN-capable loop but wants to use the loop for a service other than ISDN, BellSouth will only support that the loop is capable of providing ISDN service. For non-service specific loops (e.g. UCL, loops modified by Accutel using the Special Construction process), BellSouth will only support that the loop has copper continuity and balanced tip-and-ring.
- 2.1.22.5 In some instances, Accutel will require access to a copper twisted pair loop unfettered by any intervening equipment (e.g., filters, load coils, range extenders, etc.), so that Accutel can use the loop for a variety of services by attaching appropriate terminal equipment at the ends. Accutel will determine the type of service that will be

- provided over the loop. In some cases, Accutel may be required to pay additional charges for the removal of certain types of equipment. BellSouth's Special Construction process will be used to determine the costs and feasibility of these activities.
- 2.1.22.6 In cases in which Accutel has requested that BellSouth remove equipment from the BellSouth loop, BellSouth will no longer be expected to maintain and repair the loop to the standards specified for that loop type in the TR73600 and other standards referenced in this Agreement. BellSouth will only support that these loops provide electrical continuity and balance relative to tip-and-ring.
- 2.1.22.7 Accutel, in performance of its obligations pursuant to the preceding Section, shall maintain records that will reflect that pursuant to Accutel's request BellSouth has removed certain equipment from BellSouth provided loops and as such the loop may not perform within the technical specifications associated with that loop type. Accutel will not report to BellSouth troubles on said loops where the loops are not performing within the technical specifications of that loop type.
- 2.1.22.8 In addition, Accutel recognizes there may be instances where a loop modified in this manner may be subjected to normal network configuration changes that may cause the circuit characteristics to be changed and may create an outage of the service that Accutel has placed on the loop. If this occurs, BellSouth will work cooperatively with Accutel to restore the circuit to its previous modified status as quickly as possible. Accutel will pay the Time and Materials costs associated with BellSouth's work efforts needed to bring the loop back to its previous modified status.
- 2.1.22.9 The loop shall be provided to Accutel in accordance with BellSouth's TR73600 Unbundled Local Loop Technical Specification and applicable industry standard technical references.

2.2 Loop Conditioning

- 2.2.1 Subject to applicable and effective FCC rules and orders, BellSouth shall condition loops, as requested by Accutel, whether or not BellSouth offers advanced services to the End User on that loop.
- 2.2.2 Loop conditioning is defined as the removal from the loop of any devices that may diminish the capability of the loop to deliver high-speed switched wireline telecommunications capability, including xDSL service. Such devices include, but are not limited to, bridge taps, low pass filters, and range extenders.

2.2.3 BellSouth shall recover the cost of line conditioning requested by Accutel through a recurring charge and/or nonrecurring charge(s) in accordance with the FCC's forward-looking pricing principles promulgated pursuant to section 252 (d) (1) of the Act and in compliance with FCC Rule 52.507 (e).

2.3. Integrated Digital Loop Carriers

2.3.1 Where BellSouth uses Integrated Digital Loop Carrier (IDLC) systems to provide the local loop and BellSouth has a suitable alternate facility available, BellSouth will make arrangements to permit Accutel to order a contiguous local loop. To the extent it is technically feasible, these arrangements will provide Accutel with the capability to serve end users at a level that is at parity with the level of service BellSouth provides its customers. If no alternate facility is available, BellSouth will utilize its Special Construction (SC) process to determine the additional costs required to provision the loop facilities. Accutel will then have the option of paying the one-time SC rates to place the loop facilities or Accutel may chose some other method of providing service to the end-user (e.g., Resale, private facilities, etc.).

2.4 Network Interface Device

2.4.1 Definition

The NID is defined as any means of interconnection of end-user customer premises wiring to BellSouth's distribution plant, such as a cross-connect device used for that purpose. The NID is a single-line termination device or that portion of a multiple-line termination device required to terminate a single line or circuit at the premises. The NID features two independent chambers or divisions that separate the service provider's network from the End User's on-premises wiring. Each chamber or division contains the appropriate connection points or posts to which the service provider and the End User each make their connections. The NID provides a protective ground connection and is capable of terminating cables such as twisted pair cable.

2.4.2. BellSouth shall permit Accutel to connect Accutel's loop facilities to on-premises wiring through the BellSouth NID or at any other technically feasible point.

2.4.3 Access to Network Interface Device (NID)

2.4.3.1. Due to the wide variety of NIDs utilized by BellSouth (based on subscriber size and environmental considerations), Accutel may access the on-premises wiring by any of the following means: BellSouth shall allow Accutel to connect its loops directly to BellSouth's multi-line residential NID enclosures that have additional space and are not used by BellSouth or any other telecommunications carriers to provide service to the premise. Accutel agrees to install compatible protectors and test jacks and to

- maintain the protection system and equipment and to indemnify BellSouth pursuant to Section 8 of the General Terms and Conditions of this Agreement.
- 2.4.3.2. Where an adequate length of on-premises wiring is present and environmental conditions permit, either Party may remove the on-premises wiring from the other Party's NID and connect that wire to that Party's own NID; or
- 2.4.3.3. Enter the subscriber access chamber or "side" of "dual chamber" NID enclosures for the purpose of extending a connecterized or spliced jumper wire from the on-premises wiring through a suitable "punch-out" hole of such NID enclosures; or
- 2.4.3.4. Request BellSouth to make other rearrangements to the on-premises wiring terminations or terminal enclosure on a time and materials cost basis to be charged to the requesting Party (i.e., Accutel, its agent, the building owner or the subscriber). Such charges will be billed to the requesting Party.
- 2.4.3.5. In no case shall either Party remove or disconnect the other Party's loop facilities from either Party's NIDs, enclosures, or protectors, without state regulatory requirement, without providing prior notice to the other Party, and without appropriately capping off and guarding the other Party's loop. In such cases, it shall be the responsibility of the disconnecting party to properly ground the other party's loop, maintain the NID, and assume full liability for its action and any adverse consequences.
- 2.4.3.6. In no case shall either Party remove or disconnect ground wires from BellSouth's NIDs, enclosures, or protectors.
- 2.4.3.7. In no case shall either Party remove or disconnect NID modules, protectors, or terminals from BellSouth's NID enclosures.
- 2.4.3.8. Due to the wide variety of NID enclosures and outside plant environments BellSouth will work with Accutel to develop specific procedures to establish the most effective means of implementing this Section, 2.4.3.
- 2.4.4 Technical Requirements
- 2.4.4.1 The NID shall provide an accessible point of interconnection and shall maintain a connection to ground.
- 2.4.4.2 The NID shall be capable of transferring electrical analog or digital signals between the subscriber's inside wiring and the Distribution Media and/or cross connect to Accutel's NID, consistent with the NID's function at the Effective Date of this Agreement.

- 2.4.4.3 Where a BellSouth NID exists, it is provided in its “as is” condition. Accutel may request BellSouth do additional work to the NID in accordance with Section 2.4.3.8.
- 2.4.4.4 When Accutel deploys its own local loops with respect to multiple-line termination devices, Accutel shall specify the quantity of NIDs connections that it requires within such device.
- 2.4.5 Interface Requirements
- 2.4.5.1 The NID shall be equal to or better than all of the requirements for NIDs set forth in the applicable industry standard technical references.

2.5 Unbundled Loop Concentration (ULC) System

- 2.5.1 BellSouth will provide to Accutel Unbundled Loop Concentration (ULC). Loop concentration systems in the central office concentrate the signals transmitted over local loops onto a digital loop carrier system. The concentration device is placed inside a BellSouth central office. BellSouth will offer ULC with a TR008 interface or a TR303 interface.
- 2.5.2 ULC will be offered in two sizes. System A will allow up to 96 BellSouth loops to be concentrated onto multiple DS1s. The high-speed connection from the concentrator will be at the electrical DS1 level and may connect to Accutel at Accutel’s collocation site. System B will allow up to 192 BellSouth loops to be concentrated onto multiple DS1s. System A may be upgraded to a System B. A minimum of two DS1s is required for each system (i.e., System A requires two DS1s and System B would require an additional two DS1s or four in total). All DS1 interfaces will terminate to the CLEC’s collocation space. ULC service is offered with or without concentration and with or without protection. A Line Interface element will be required for each loop that is terminated onto the ULC system. Rates for ULC are as set forth in this Attachment.

2.6 Sub-loop Elements

- 2.6.1 Where facilities permit and subject to applicable and effective FCC rules and orders, BellSouth shall offer access to its Unbundled Sub Loop (USL), Unbundled Subloop Concentration (USLC) System and Unbundled Network Terminating Wire (UNTW) elements. BellSouth shall provide non-discriminatory access, in accordance with 51.311 and section 251(c) (3) of the Act, to the subloop. On an unbundled basis and pursuant to the following terms and conditions and the rates approved by the Commission and set forth in this Attachment.
- 2.6.2 Subloop components include but are not limited to the following:
 - 2.6.2.1 Unbundled Sub-Loop Distribution;

2.6.2.2 Unbundled Sub-Loop Concentration/Multiplexing Functionality; and

2.6.2.3 Unbundled Network Terminating Wire; and

2.6.2.4 Unbundled Sub-Loop Feeder.

2.6.3 Unbundled Sub-Loop (distribution facilities)

2.6.3.1 Definition

2.6.3.2 Subject to applicable and effective FCC rules and orders, the unbundled sub-loop distribution facility is dedicated transmission facility that BellSouth provides from a customer's point of demarcation to a BellSouth cross-connect device. The BellSouth cross-connect device may be located within a remote terminal (RT) or a stand-alone cross-box in the field or in the equipment room of a building. There are two offerings available for Unbundled Sub-Loops (USL):

2.6.3.3 Unbundled Sub-Loop Distribution (USL-D) will include the sub-loop facility from the cross-box in the field up to and including the point of demarcation.

2.6.3.4 BellSouth will also provide sub-loop interconnection to the intrabuilding network cable (INC) (riser cable). INC is the distribution facility inside a subscriber's building or between buildings on one customer's same premises (continuous property not separated by a public street or road). USL-INC (riser cable) will include the facility from the cross-connect device in the building equipment room up to and including the point of demarcation.

2.6.4. Requirements for Unbundled Sub-Loop Distribution Facilities

2.6.4.1 Unbundled Sub-Loop distribution facilities were originally built as part of the entire voice grade loop from the BellSouth central office to the customer network interface. Therefore, the Unbundled Sub-Loop may have load coils, which are necessary for transmission of voice grade services. The Unbundled Sub-Loops will be provided in accordance with technical reference TR73600.

2.6.4.2 Unbundled Sub-Loop distribution facilities shall support functions associated with provisioning, maintenance and testing of the Unbundled Sub-Loop. In a scenario that involves connection at a BellSouth cross-box located in the field, Accutel would be required to deliver a cable to the BellSouth remote terminal or cross-box to provide continuity to Accutel's feeder facilities. This cable would be connected, by a BellSouth technician, to a cross-connect panel within the BellSouth RT/cross-box.

- Accutel's cable pairs can then be connected to BellSouth's USL within the BellSouth cross-box by the BellSouth technician. In a scenario that requires connection in a building equipment room, BellSouth will install a cross connect panel on which access to the requested sub-loops will be connected. The CLEC's cable pairs can then be connected to the Unbundled Sub-Loop pairs on this cross-connect panel by the BellSouth technician.
- 2.6.4.3 BellSouth will provide Unbundled Sub-Loops where possible. Through the firm order Service Inquiry (SI) process, BellSouth will determine if it is feasible to place the required facilities where Accutel has requested access to Unbundled Sub-Loops. If existing capacity is sufficient to meet the CLEC demand, then BellSouth will perform the set-up work as described in the next section 2.6.4.4 . If any work must be done to modify existing BellSouth facilities or add new facilities (other than adding the cross-connect panel in a building equipment room as noted in 2.6.4.4) to accommodate Accutel's request for Unbundled Sub-Loops, BellSouth will use its Special Construction (SC) process to determine the additional costs required to provision the Unbundled Sub-Loops. Accutel will then have the option of paying the one-time SC charge to modify the facilities to meet Accutel's request.
- 2.6.4.4 During the initial set-up in a BellSouth cross-connect box in the field, the BellSouth technician will perform the necessary work to splice the CLEC's cable into the cross-connect box. For the set-up inside a building equipment room, BellSouth will perform the necessary work to install the cross-connect panel that will be used to provide access to the requested USLs. Once the set-up is complete, the CLEC requested sub-loop pairs would be provisioned through the service order process based on the submission of a LSR to the LCSC.
- 2.6.5 Interface Requirements
- 2.6.5.1 Unbundled Sub-Loop shall be equal to or better than each of the applicable requirements set forth in the applicable industry standard technical references.
- 2.6.6 **Unbundled Sub-Loop Concentration System (USLC)**
- 2.6.6.1 Where facilities permit and where necessary to comply with an effective Commission order, BellSouth will provide to Accutel with the ability to concentrate its sub-loops onto multiple DS1s back to the BellSouth Central Office. The DS1s will then be terminated into Accutel's collocation space. TR-008 and TR303 interface standards are available.
- 2.6.6.2 USLC, using the Lucent Series 5 equipment, will be offered in two different systems. System A will allow up to 96 of Accutel's sub-loops to be concentrated onto multiple DS1s. System B will allow an additional 96 of Accutel's sub-loops to be

concentrated onto multiple DS1s. One System A may be supplemented with one System B and they both must be physically located in a single Series 5 dual channel bank. A minimum of two DS1s is required for each system (i.e., System A requires two DS1s and System B would require an additional two DS1s or four in total). The DS1 level facility that connects the RT site with the serving wire center is known as a Feeder Interface. All DS1 Feeder Interfaces will terminate to the CLEC's collocation space within the SWC that serves the RT where the CLEC's sub-loops are connected. USLC service is offered with or without concentration and with or without a protection DS1.

- 2.6.6.3 In these scenarios Accutel would be required to place a cross-box, remote terminal (RT), or other similar device and deliver a cable to the BellSouth remote terminal. This cable would be connected, by a BellSouth technician, to a cross-connect panel within the BellSouth RT/cross-box and would allow Accutel's sub-loops to then be placed on the ULSC and transported to their collocation space at a DS1 level.

2.6.7 Unbundled Network Terminating Wire (UNTW)

- 2.6.7.1 BellSouth agrees to offer its Unbundled Network Terminating Wire (UNTW) to Accutel pursuant to the following terms and conditions at rates as set forth in this Attachment.

2.6.7.2 Definition

- 2.6.7.2.1 Subject to applicable and effective FCC rules and orders, UNTW is a dedicated transmission facility that BellSouth provides from the Wiring Closet /Garden Terminal (or other type of cross-connect point) at the point of termination of BellSouth's loop distribution facilities to the end user's point of demarcation.

2.6.7.3 Requirements

- 2.6.7.3.1 BellSouth will offer spare pairs that are available to an end user's premises to Accutel. Available spare pairs are defined as pairs that are not being utilized by BellSouth or by a third party to provide an end user with working service at the time of Accutel's request for UNTW. If no spare pairs are available and the end user is no longer using BellSouth's local service, BellSouth will relinquish the first pair to Accutel. If after BellSouth has relinquished the first pair to Accutel and the end user decides to change local service providers to BellSouth, Accutel will relinquish the first pair back to BellSouth.
- 2.6.7.3.2 Notwithstanding the foregoing, should BellSouth subsequently require the use of additional pair(s) to provide for the activation of additional lines in an end users premises in response to a request from such end user, Accutel agrees to surrender their spare pair(s) upon request by BellSouth.

- 2.6.7.3.3 If an end user of Accutel desires to receive local exchange service from a service provider who is not a Party to this Agreement, and such third party service provider needs access to the BellSouth UNTW to provide local exchange service to the end user, then Accutel agrees to surrender the requisite number of its inactive spare pair(s) if no other spare pair is available and upon request by BellSouth.
- 2.6.7.3.4 If Accutel has placed NTW at a location and an end user desires to receive local exchange service from BellSouth and BellSouth needs access to Accutel's NTW to provide local exchange service to the end user, then Accutel agrees to surrender the requisite number of its spare pair(s) upon request by BellSouth.
- 2.6.7.3.5 In new construction, where possible, both Parties may at their option and with the property owner's agreement install their own NTW. In existing construction, BellSouth shall not be required to install new or additional NTW beyond existing NTW to provision the services of the CLEC.

2.6.8 Technical Requirements

- 2.6.8.1 In these scenarios, BellSouth will connect the requested UNTW pairs to a single point of interconnection (SPOI) designed for CLEC access to BellSouth's NTW. The SPOI will be installed either near BellSouth's garden terminal or wiring closet. Accutel will be required to place a cross-box, terminal or other similar device and deliver a cable to this SPOI. Accutel will then connect their cable to the cross-connect panel to access the requested UNTW pairs.

2.7 **Dark Fiber**

2.7.1 Defintion

Dark Fiber is optical transmission facilities without attached multiplexing, aggregation or other electronics that connects two points within BellSouth's network. Dark Fiber also includes strands of optical fiber existing in aerial or underground cable which may have lightwave repeater (regenerator or optical amplifier) equipment interspliced to it at appropriate distances, but which has no line terminating elements terminated to such strands to operationalize its transmission capabilities.

2.7.2 Requirements

- 2.7.2.1 BellSouth shall make available Dark Fiber where it exists in BellSouth's network and where, as a result of future building or deployment, it becomes available. If BellSouth has plans to use the fiber within a two-year planning period, there is no requirement to provide said fiber to Accutel.
- 2.7.2.2 If the requested dark fiber has any lightwave repeater equipment interspliced to it, BellSouth will remove such equipment at Accutel's request subject to time and materials charges.

- 2.7.2.3 Accutel may test the quality of the Dark Fiber to confirm its usability and performance specifications.
- 2.7.2.4 BellSouth shall use its best efforts to provide to Accutel information regarding the location, availability and performance of Dark Fiber within ten (10) business days for a records based answer and twenty (20) business days for a field based answer, after receiving a request from Accutel ("Request"). Within such time period, BellSouth shall send written confirmation of availability of the Dark Fiber ("Confirmation"). From the time of the Request to forty-five (45) days after Confirmation, BellSouth shall hold such requested Dark Fiber for Accutel's use and may not allow any other party to use such media, including BellSouth.
- 2.7.2.5 BellSouth shall use its best efforts to make Dark Fiber available to Accutel within thirty (30) business days after it receives written confirmation from Accutel that the Dark Fiber previously deemed available by BellSouth is wanted for use by Accutel. This includes identification of appropriate connection points (e.g., Light Guide Interconnection (LGX) or splice points) to enable Accutel to connect or splice Accutel provided transmission media (e.g., optical fiber) or equipment to the Dark Fiber.
- 2.7.2.6 Dark Fiber shall meet the manufacturer's design specifications.
- 2.7.2.7 Accutel may splice and test Dark Fiber obtained from BellSouth using Accutel or Accutel designated personnel. BellSouth shall provide appropriate interfaces to allow splicing and testing of Dark Fiber. BellSouth shall provide an excess cable length of 25 feet minimum (for fiber in underground conduit) to allow the uncoiled fiber to reach from the manhole to a splicing van.

2.8 Rates

The prices that Accutel shall pay to BellSouth for Network Elements and Other Services are set forth in Exhibit C to this Attachment.

2.9 Operational Support Systems (OSS)

BellSouth has developed and made available the following mechanized systems by which Accutel may submit LSRs electronically.

| | |
|------|-----------------------------------|
| LENS | Local Exchange Navigation System |
| EDI | Electronic Data Interchange |
| TAG | Telecommunications Access Gateway |

- 2.9.1 LSRs submitted by means of one of these interactive interfaces will incur an OSS electronic ordering charge as specified in the table below. An individual LSR will be identified for billing purposes by its Purchase Order Number (PON). LSRs submitted

by means other than one of these interactive interfaces (mail, fax, courier, etc.) will incur a manual order charge as specified in the table below:

| OPERATIONAL SUPPORT SYSTEMS | AL, GA, LA, MS, SC | FL, KY, NC, TN |
|---|-----------------------------|-----------------------|
| OSS LSR charge, per LSR received from the CLEC by one of the OSS interactive interfaces | \$3.50 | \$3.50 |
| | SOMECH | SOMECH |
| Incremental charge per LSR received from the CLEC by means other than one of the OSS interactive interfaces | See applicable rate element | \$19.99 |
| | | SOMAN |

2.9.2 Denial/Restoral OSS Charge

In the event Accutel provides a list of customers to be denied and restored, rather than an LSR, each location on the list will require a separate PON and, therefore will be billed as one LSR per location.

2.9.3 Cancellation OSS Charge

Accutel will incur an OSS charge for an accepted LSR that is later canceled by Accutel.

Note: Supplements or clarifications to a previously billed LSR will not incur another OSS charge.

2.9.4 Network Elements and Other Services Manual Additive

2.9.4.1 The Commissions in some states have ordered per-element manual additive non-recurring charges (NRC) for Network Elements and Other Services ordered by means other than one of the interactive interfaces. These ordered Network Elements and Other Services manual additive NRCs will apply in these states, rather than the charge per LSR. The per-element charges are listed on the Rate Tables in Exhibit A.

3. Switching

All of the negotiated rates, terms and conditions set forth in this Section pertain to the provision of local and tandem switching.

3.1 Local Switching

BellSouth shall provide non-discriminatory access to local circuit switching capability, and local tandem switching capability, on an unbundled basis, except as set forth below in Section 3.1.3 to Accutel for the provision of a telecommunications service. BellSouth shall provide non-discriminatory access to packet switching capability on an unbundled basis to Accutel for the provision of a telecommunications service only in the limited circumstance described below in Section 3.3.4.6.

3.1.1. Except as otherwise provided herein, BellSouth shall not impose any restrictions on Accutel regarding the use of Switching Capabilities purchased from BellSouth provided such use does not result in demonstrable harm to either the BellSouth network or personnel or the use of the BellSouth network by BellSouth or any other telecommunication carrier.

3.1.2. Local Circuit Switching Capability, including Tandem Switching Capability

3.1.2.1 Definition

Local Circuit Switching Capability is defined as: (A) line-side facilities, which include, but are not limited to, the connection between a loop termination at a main distribution frame and a switch line card; (B) trunk-side facilities, which include, but are not limited to, the connection between trunk termination at a trunk-side cross-connect panel and a switch trunk card; and (C) All features, functions, and capabilities of the switch, which include, but are not limited to: (1) the basic switching function of connecting lines to lines, line to trunks, trunks to lines, and trunks to trunks, as well as the same basic capabilities made available to BellSouth's customers, such as a telephone number, white page listings, and dial tone; and (2) all other features that the switch is capable of providing, including but not limited to customer calling, customer local area signaling service features, and Centrex, as well as any technically feasible customized routing functions provided by the switch; (D) switching provided by remote switching modules.

3.1.2.2 When utilizing BellSouth's local circuit switching capability, local traffic shall be defined as set forth in Part B of the General Terms and Conditions.

3.1.3 Notwithstanding BellSouth's general duty to unbundle local circuit switching, BellSouth shall not be required to unbundle local circuit switching for Accutel when

- Accutel serves end-users with four (4) or more voice-grade (DS-0) equivalents or lines in locations served by BellSouth's local circuit switches, which are in the following MSAs: Atlanta, GA; Miami, FL; Orlando, FL; Ft. Lauderdale, FL; Charlotte-Gastonia-Rock Hill, NC; Greensboro-Winston Salem-High Point, NC; Nashville, TN; and New Orleans, LA, and BellSouth has provided non-discriminatory cost based access to the Enhanced Extended Link (EEL) throughout Density Zone 1 as determined by NECA Tariff No. 4 as in effect on January 1, 1999.
- 3.1.4 In the event that Accutel orders local circuit switching for a single end user account name at a single physical end user location with four (4) or more two (2) wire voice-grade loops from a BellSouth central office listed on Exhibit A, BellSouth's sole recourse shall be to charge Accutel a rate to be negotiated for use of the local circuit switching functionality for the affected facilities, or in the alternative, to charge Accutel the local services resale rate for use of all Combinations used to provide the affected facilities to Accutel.
- 3.1.5 A featureless port is one that has a line port, switching facilities, and an interoffice port. A featured port is a port that includes all features then capable or a number of then capable features specifically requested by Accutel. Any features that are not currently then capable but are technically feasible through the switch can be requested through the BFR process.
- 3.1.6 BellSouth will provide to Accutel customized routing of calls: (i) to a requested directory assistance services platform; (ii) to an operator services platform pursuant to Section 10 of Attachment 2; (iii) for Accutel's PIC'ed toll traffic in a two (2) PIC environment to an alternative OS/DA platform designated by Accutel. Accutel customers may use the same dialing arrangements as BellSouth customers.
- 3.1.7 Remote Switching Module functionality is included in Switching Capability. The switching capabilities used will be based on the line side features they support.
- 3.1.8 Switching Capability will also be capable of routing local, intraLATA, interLATA, and calls to international customer's preferred carrier; call features (e.g. call forwarding) and Centrex capabilities.
- 3.1.9 Where required to do so in order to comply with an effective Commission order, BellSouth will provide to Accutel purchasing local BellSouth switching and reselling BellSouth local exchange service under Attachment 1, selective routing of calls to a requested directory assistance services platform or operator services platform. Accutel customers may use the same dialing arrangements as BellSouth customers, but obtain a Accutel branded service.
- 3.2 Technical Requirements

- 3.2.1 The requirements set forth in this Section apply to Local Switching, but not to the Data Switching function of Local Switching.
- 3.2.1.1 Local Switching shall be equal to or better than the requirements for Local Switching set forth in the applicable industry standard technical references.
- 3.2.1.2 When applicable, BellSouth shall route calls to the appropriate trunk or lines for call origination or termination.
- 3.2.1.3 Subject to this section, BellSouth shall route calls on a per line or per screening class basis to (1) BellSouth platforms providing Network Elements or additional requirements (2) Operator Services platforms, (3) Directory Assistance platforms, and (4) Repair Centers. Any other routing requests by Accutel will be made pursuant to the Bona Fide Request/ New Business Request Process as set forth in General Terms and Conditions.
- 3.2.1.4 BellSouth shall provide unbranded recorded announcements and call progress tones to alert callers of call progress and disposition.
- 3.2.1.5 BellSouth shall activate service for an Accutel customer or network interconnection on any of the Local Switching interfaces. This includes provisioning changes to change a customer from BellSouth's services to Accutel's services without loss of switch feature functionality as defined in this Agreement.
- 3.2.1.6 BellSouth shall perform routine testing (e.g., Mechanized Loop Tests (MLT) and test calls such as 105, 107 and 108 type calls) and fault isolation on a mutually agreed upon schedule.
- 3.2.1.7 BellSouth shall repair and restore any equipment or any other maintainable component that may adversely impact Local Switching.
- 3.2.1.8 BellSouth shall control congestion points such as those caused by radio station call-ins, and network routing abnormalities. All traffic shall be restricted in a non-discriminatory manner.
- 3.2.1.9 BellSouth shall perform manual call trace and permit customer originated call trace.
- 3.2.1.10 Special Services provided by BellSouth will include the following:
 - 3.2.1.10.1 Telephone Service Prioritization;
 - 3.2.1.10.2 Related services for handicapped;
 - 3.2.1.10.3 Soft dial tone where required by law; and

- 3.2.1.10.4 Any other service required by law.
- 3.2.1.11 BellSouth shall provide Switching Service Point (SSP) capabilities and signaling software to interconnect the signaling links destined to the Signaling Transfer Point Switch (STPS). These capabilities shall adhere to the technical specifications set forth in the applicable industry standard technical references.
- 3.2.1.12 BellSouth shall provide interfaces to adjuncts through Telcordia (formerly BellCore) standard interfaces. These adjuncts can include, but are not limited to, the Service Circuit Node and Automatic Call Distributors.
- 3.2.1.13 BellSouth shall provide performance data regarding a customer line, traffic characteristics or other measurable elements to Accutel, upon a reasonable request from Accutel. CLEC will pay BellSouth for all costs incurred to provide such performance data through the Business Opportunity Request process.
- 3.2.1.14 BellSouth shall offer Local Switching that provides feature offerings at parity to those provided by BellSouth to itself or any other Party. Such feature offerings shall include but are not limited to:
 - 3.2.1.14.1 Basic and primary rate ISDN;
 - 3.2.1.14.2 Residential features;
 - 3.2.1.14.3 Customer Local Area Signaling Services (CLASS/LASS);
 - 3.2.1.14.4 CENTREX (including equivalent administrative capabilities, such as customer accessible reconfiguration and detailed message recording); and
 - 3.2.1.14.5 Advanced intelligent network triggers supporting Accutel and BellSouth service applications.
- 3.2.2 BellSouth shall offer to Accutel all AIN triggers in connection with its SMS/SCE offering which are supported by BellSouth for offering AIN-based services. Triggers that are currently available are:
 - 3.2.2.1 Off-Hook Immediate
 - 3.2.2.2 Off-Hook Delay
 - 3.2.2.3 Termination Attempt
 - 3.2.2.4 6/10 Public Office Dialing Plan
 - 3.2.2.5 Feature Code Dialing

- 3.2.2.6 Customer Dialing Plan
- 3.2.3 When the following triggers are supported by BellSouth, BellSouth will make these triggers available to Accutel:
 - 3.2.3.1 Private EAMF Trunk
 - 3.2.3.2 Shared Interoffice Trunk (EAMF, SS7)
 - 3.2.3.3 N11
 - 3.2.3.4 Automatic Route Selection
- 3.2.4 Where capacity exists, BellSouth shall assign each Accutel customer line the class of service designated by Accutel (e.g., using line class codes or other switch specific provisioning methods), and shall route directory assistance calls from Accutel customers to Accutel directory assistance operators at Accutel's option.
- 3.2.5 Where capacity exists, BellSouth shall assign each Accutel customer line the class of services designated by Accutel (e.g., using line class codes or other switch specific provisioning methods) and shall route operator calls from Accutel customers to Accutel operators at Accutel's option. For example, BellSouth may translate 0- and 0+ intraLATA traffic, and route the call through appropriate trunks to an Accutel Operator Services Position System (OSPS). Calls from Local Switching must pass the ANI-II digits unchanged.
- 3.2.6 Local Switching shall be offered in accordance with the technical specifications set forth in the applicable industry standard references.
- 3.2.7 Interface Requirements
 - 3.2.7.1 BellSouth shall provide the following interfaces to loops:
 - 3.2.7.1.1 Standard Tip/Ring interface including loopstart or groundstart, on-hook signaling (e.g., for calling number, calling name and message waiting lamp);
 - 3.2.7.1.2 Coin phone signaling;
 - 3.2.7.1.3 Basic Rate Interface ISDN adhering to appropriate Telcordia (formerly BellCore) Technical Requirements;
 - 3.2.7.1.4 Two-wire analog interface to PBX;
 - 3.2.7.1.5 Four-wire analog interface to PBX;

- 3.2.7.1.6 Four-wire DS1 interface to PBX or customer provided equipment (e.g. computers and voice response systems);
 - 3.2.7.1.7 Primary Rate ISDN to PBX adhering to ANSI standards Q.931, Q.932 and appropriate Telcordia (formerly BellCore) Technical Requirements;
 - 3.2.7.1.8 Switched Fractional DS1 with capabilities to configure Nx64 channels (where N = 1 to 24); and
 - 3.2.7.1.9 Loops adhering to Telcordia (formerly BellCore) TR-NWT-08 and TR-NWT-303 specifications to interconnect Digital Loop Carriers.
- 3.2.7.2 BellSouth shall provide access to the following but not limited to:
- 3.2.7.2.1 SS7 Signaling Network or Multi-Frequency trunking if requested by Accutel;
 - 3.2.7.2.2 Interface to Accutel operator services systems or Operator Services through appropriate trunk interconnections for the system; and
 - 3.2.7.2.3 Interface to Accutel Directory Assistance Services through the Accutel switched network or to Directory Assistance Services through the appropriate trunk interconnections for the system; and 950 access or other Accutel required access to interexchange carriers as requested through appropriate trunk interfaces.

3.3 Tandem Switching

3.3.1 Definition

Tandem Switching is the function that establishes a communications path between two switching offices through a third switching office (the Tandem switch).

3.3.2 Technical Requirements

- 3.3.2.1 Tandem Switching shall have the same capabilities or equivalent capabilities as those described in Bell Communications Research TR-TSY-000540 Issue 2R2, Tandem Supplement, 6/1/90. The requirements for Tandem Switching include, but are not limited to the following:
 - 3.3.2.1.1 Tandem Switching shall provide signaling to establish a tandem connection;
 - 3.3.2.1.2 Tandem Switching will provide screening as jointly agreed to by Accutel and BellSouth;
 - 3.3.2.1.3 Tandem Switching shall provide Advanced Intelligent Network triggers supporting AIN features where such routing is not available from the originating end office switch, to the extent such Tandem switch has such capability;

- 3.3.2.1.4 Tandem Switching shall provide access to Toll Free number portability database as designated by Accutel;
- 3.3.2.1.5 Tandem Switching shall provide all trunk interconnections discussed under the “Network Interconnection” section (e.g., SS7, MF, DTMF, DialPulse, PRI-ISDN, DID, and CAMA-ANI (if appropriate for 911));
 - 3.3.2.1.5.1 Tandem Switching shall provide connectivity to PSAPs where 911 solutions are deployed and the tandem is used for 911; and
 - 3.3.2.1.5.2 Where appropriate, Tandem Switching shall provide connectivity to transit traffic to and from other carriers.
- 3.3.2.1.6 Tandem Switching shall accept connections (including the necessary signaling and trunking interconnections) between end offices, other tandems, IXCs, ICOs, CAPs and CLEC switches.
- 3.3.2.1.7 Tandem Switching shall provide local tandeming functionality between two end offices including two offices belonging to different CLEC's (e.g., between a CLEC end office and the end office of another CLEC).
- 3.3.2.1.8 Tandem Switching shall preserve CLASS/LASS features and Caller ID as traffic is processed.
- 3.3.2.1.9 Tandem Switching shall record billable events and send them to the area billing centers designated by Accutel. Tandem Switching will provide recording of all billable events as jointly agreed to by Accutel and BellSouth.
- 3.3.2.1.10 Upon a reasonable request from Accutel, BellSouth shall perform routine testing and fault isolation on the underlying switch that is providing Tandem Switching and all its interconnections. The results and reports of the testing shall be made immediately available to Accutel.
- 3.3.2.1.11 BellSouth shall maintain Accutel's trunks and interconnections associated with Tandem Switching at least at parity to its own trunks and interconnections.
- 3.3.2.1.12 BellSouth shall control congestion points and network abnormalities. All traffic will be restricted in a non-discriminatory manner.
- 3.3.2.1.13 Selective Call Routing through the use of line class codes is not available through the use of tandem switching. Selective Call Routing through the use of line class codes is an end office capability only. Detailed primary and overflow routing plans for all interfaces available within BellSouth's switching network shall be mutually agreed to by Accutel and BellSouth.

- 3.3.2.1.14 Tandem Switching shall process originating toll-free traffic received from Accutel's local switch.
- 3.3.2.1.15 In support of AIN triggers and features, Tandem Switching shall provide SSP capabilities when these capabilities are not available from the Local Switching Network Element, to the extent such Tandem Switch has such capability.
- 3.3.2.2 Interface Requirements
 - 3.3.2.2.1 Tandem Switching shall provide interconnection to the E911 PSAP where the underlying Tandem is acting as the E911 Tandem.
 - 3.3.2.2.2 Tandem Switching shall interconnect, with direct trunks, to all carriers with which BellSouth interconnects.
 - 3.3.2.2.3 BellSouth shall provide all signaling necessary to provide Tandem Switching with no loss of feature functionality.
 - 3.3.2.2.4 Tandem Switching shall interconnect with Accutel's switch, using two-way trunks, for traffic that is transiting via BellSouth's network to interLATA or intraLATA carriers. At Accutel's request, Tandem Switching shall record and keep records of traffic for billing.
 - 3.3.2.2.5 Tandem Switching shall provide an alternate final routing pattern for Accutel's traffic overflowing from direct end office high usage trunk groups.
 - 3.3.2.2.6 Tandem Switching shall be equal or better than the requirements for Tandem Switching set forth in the applicable technical references.
- 3.4 **AIN Selective Carrier Routing for Operator Services, Directory Assistance and Repair Centers**
 - 3.4.1 BellSouth will provide AIN Selective Carrier Routing at the request of Accutel. AIN Selective Carrier Routing will provide Accutel with the capability of routing operator calls, 0+ and 0- and 0+ NPA (LNPA) 555-1212 directory assistance, 1+411 directory assistance and 611 repair center calls to pre-selected destinations.
 - 3.4.2 Accutel shall order AIN Selective Carrier Routing through its Account Team. AIN Selective Carrier Routing must first be established regionally and then on a per central office, per state basis.
 - 3.4.3 AIN Selective Carrier Routing is not available in DMS 10 switches.

- 3.4.4 Where AIN Selective Carrier Routing is utilized by Accutel, the routing of Accutel's end user calls shall be pursuant to information provided by Accutel and stored in BellSouth's AIN Selective Carrier Routing Service Control Point database. AIN Selective Carrier Routing shall utilize a set of Line Class Codes (LCCs) unique to a basic class of service assigned on an 'as needed basis. The same LCCs will be assigned in each central office where AIN Selective Carrier Routing is established.
- 3.4.5 Upon ordering of AIN Selective Carrier Routing Regional Service, Accutel shall remit to BellSouth the Regional Service Order non-recurring charges set forth in Exhibit A of this Attachment. There shall be a non-recurring End Office Establishment Charge per office due at the addition of each central office where AIN Selective Carrier Routing will be utilized. Said non-recurring charge shall be as set forth in Exhibit A of this Attachment. For each Accutel end user activated, there shall be a non-recurring End User Establishment charge as set forth in Exhibit A of this Attachment, payable to BellSouth pursuant to the terms of the General Terms and Conditions, incorporated herein by this reference. Accutel shall pay the AIN Selective Carrier Routing Per Query Charge set forth in Exhibit A of this Attachment.
- 3.4.6 This Regional Service Order non-recurring charge will be non-refundable and will be paid with 1/2 coming up-front with the submission of all fully completed required forms, including: Regional Selective Carrier Routing (SCR) Order Request-Form A, Central Office AIN Selective Carrier Routing (SCR) Order Request - Form B, AIN_SCR Central Office Identification Form - Form C, AIN_SCR Routing Options Selection Form - Form D, and Routing Combinations Table - Form E. BellSouth has 30 days to respond to the client's fully completed firm order as a Regional Service Order. With the delivery of this firm order response to the client, BellSouth considers that the delivery schedule of this service commences. The remaining 1/2 of the Regional Service Order payment must be paid when at least 90% of the Central Offices listed on the original order have been turned up for the service.
- 3.4.7 The non-recurring End Office Establishment Charge will be billed to the client following our normal monthly billing cycle for this type of order.
- 3.4.8 End-User Establishment Orders will not be turned-up until the 2nd payment is received for the Regional Service Order. The non-recurring End-User Establishment Charges will be billed to the client following our normal monthly billing cycle for this type of order.
- 3.4.9 Additionally, the AIN Selective Carrier Routing Per Query Charge will be billed to the client following the normal billing cycle for per query charges.
- 3.4.10 All other network components needed, for example, unbundled switching and unbundled local transport, etc, will be billed according per contracted rates.

3.5 Packet Switching Capability

3.5.1 Definition

Packet Switching Capability. The packet switching capability network element is defined as the basic packet switching function of routing or forwarding packets, frames, cells or other data units based on address or other routing information contained in the packets, frames, cells or other data units, and the functions that are performed by Digital Subscriber Line Access Multiplexers, including but not limited to:

- 3.5.2 The ability to terminate copper customer loops (which includes both a low band voice channel and a high-band data channel, or solely a data channel);
- 3.5.3 The ability to forward the voice channels, if present, to a circuit switch or multiple circuit switches;
- 3.5.4 The ability to extract data units from the data channels on the loops, and
- 3.5.5 The ability to combine data units from multiple loops onto one or more trunks connecting to a packet switch or packet switches.
- 3.5.6 BellSouth shall be required to provide non-discriminatory access to unbundled packet switching capability only where each of the following conditions are satisfied:
 - 3.5.6.1 BellSouth has deployed digital loop carrier systems, including but not limited to, integrated digital loop carrier or universal digital loop carrier systems; or has deployed any other system in which fiber optic facilities replace copper facilities in the distribution section (e.g., end office to remote terminal, pedestal or environmentally controlled vault);
 - 3.5.6.2 There are no spare copper loops capable of supporting the xDSL services Accutel seeks to offer;
 - 3.5.6.3 BellSouth has not permitted Accutel to deploy a Digital Subscriber Line Access Multiplexer at the remote terminal, pedestal or environmentally controlled vault or other interconnection point, nor has the Accutel obtained a virtual collocation arrangement at these subloop interconnection points as defined by 47 C.F.R. § 51.319 (b); and
 - 3.5.6.4 BellSouth has deployed packet switching capability for its own use.
- 3.5.7 If there is a dispute as to whether BellSouth must provide Packet Switching , such dispute will be resolved according tot the dispute resolution process set forth in

Section of the General Terms and Conditions of this Agreement, incorporated herein by this reference.

3.6 **Interoffice Transmission Facilities**

BellSouth shall provide nondiscriminatory access, in accordance with FCC Rule 51.311 and Section 251(c)(3) of the Act, to interoffice transmission facilities on an unbundled basis to Accutel for the provision of a telecommunications service.

3.7 **Rates**

The prices that Accutel shall pay to BellSouth for Network Elements and Other Services are set forth in Exhibit C to this Attachment.

3.8 **Operational Support Systems (OSS)**

BellSouth has developed and made available the following mechanized systems by which Accutel may submit LSRs electronically.

| | |
|------|-----------------------------------|
| LENS | Local Exchange Navigation System |
| EDI | Electronic Data Interchange |
| TAG | Telecommunications Access Gateway |

3.8.1 LSRs submitted by means of one of these interactive interfaces will incur an OSS electronic ordering charge as specified in the table below. An individual LSR will be identified for billing purposes by its Purchase Order Number (PON). LSRs submitted by means other than one of these interactive interfaces (mail, fax, courier, etc.) will incur a manual order charge as specified in the table below:

| OPERATIONAL SUPPORT SYSTEMS | AL, GA, LA, MS, SC | FL, KY, NC, TN |
|---|-----------------------------|----------------|
| OSS LSR charge, per LSR received from the CLEC by one of the OSS interactive interfaces | \$3.50 | \$3.50 |
| | SOMECH | SOMECH |
| Incremental charge per LSR received from the CLEC by means other than one of the OSS interactive interfaces | See applicable rate element | \$19.99 |
| | | SOMAN |

3.8.2 Denial/Restoral OSS Charge

In the event Accutel provides a list of customers to be denied and restored, rather than an LSR, each location on the list will require a separate PON and, therefore will be billed as one LSR per location.

3.8.3 Cancellation OSS Charge

Accutel will incur an OSS charge for an accepted LSR that is later canceled by Accutel.

Note: Supplements or clarifications to a previously billed LSR will not incur another OSS charge.

3.8.4 Network Elements and Other Services Manual Additive

- 3.8.4.1 The Commissions in some states have ordered per-element manual additive non-recurring charges (NRC) for Network Elements and Other Services ordered by means other than one of the interactive interfaces. These ordered Network Elements and Other Services manual additive NRCs will apply in these states, rather than the charge per LSR. The per-element charges are listed on the Rate Tables in Exhibit A.

4. Enhanced Extended Link (EEL)

4.1 Where facilities permit and where necessary to comply with an effective FCC and/or State Commission order, BellSouth shall offer access to the Enhanced Extended Link (“EEL”) as defined in Section 4.3 below.

4.2 Definition

4.2.1 For purposes of this Amendment, references to “Currently Combined” network elements shall mean that such network elements are in fact already combined by BellSouth in the BellSouth network to provide service to a particular end user at a particular location.

4.2.2 BellSouth will provide access to the Enhanced Extended Link (“EEL”) in the combinations set forth in 4.3 following. This offering is intended to provide connectivity from an end user’s location through that end user’s SWC and then connected to the Accutel’s POP serving wire center. The circuit must be connected to the Accutel’s circuit switch for the purpose of provisioning circuit switched telephone exchange service to the Accutel’s end-user customers. This can be done either in the collocation space at the POP SWC, or by using BellSouth’s access facilities between the Accutel’s POP and Accutel’s collocation space at the POP SWC.

4.2.3 BellSouth shall provide combinations of loops and transport to Accutel in Georgia regardless of whether or not such combinations of loops and transport are Currently Combined. Other combinations of network elements that are not Currently Combined but that BellSouth ordinarily combines in its network shall be made available to Accutel in Georgia in accordance with Section 4.5.1.3 below. In all other states, BellSouth shall make available to Accutel those EEL combinations and transport described in Section 4.3 below only to the extent such combinations of loop and transport network elements are Currently Combined. BellSouth will make available new combinations of loops and transport network elements in density Zone 1, as defined in 47 C.F.R. 69.123 as of January 1, 1999, of the Miami, Orlando, Fort Lauderdale, Charlotte, New Orleans, Greensboro and Nashville MSAs to Accutel. Except as stated above, other combinations of network elements will be provided to Accutel only to the extent such network elements are Currently Combined.

4.2.4 Additionally, there may be instances wherein Accutel will require multiplexing functionality. BellSouth will provide access to multiplexing within the central office pursuant to the terms, conditions and rates set forth in its Access Services Tariffs when the customer utilizes special access interoffice facilities. Multiplexing will be

provided pursuant to the interconnection agreement when unbundled network elements are used for interoffice transport.

4.3 EEL Combinations

- 4.3.1 - 2-wire voice grade extended loop with DS1 Dedicated Interoffice Transport;
- 4.3.2 - 4-wire voice grade extended loop with DS1 Dedicated Interoffice Transport;
- 4.3.3 - 4-wire 56 or 64 kbps extended digital loop with Dedicated DS1 Interoffice Transport;
- 4.3.4 - Extended 2-wire VG Dedicated Local Channel with Dedicated DS1 Interoffice Transport;
- 4.3.5 - Extended 4-wire VG Dedicated Local Channel with Dedicated DS1 Interoffice Transport;
- 4.3.6 - Extended 4-wire DS1 Digital Loop with Dedicated DS1 Interoffice Transport;
- 4.3.7 - Extended 4-wire DS1 Digital Loop with Dedicated DS3 Interoffice Transport; and
- 4.3.8 - Extended DS1 Dedicated Local Channel with Dedicated DS3 Interoffice Transport.

4.4 Special Access Service Conversions

- 4.4.1 Accutel may not convert special access services to combinations of loop and transport network elements, whether or not Accutel self-provides its entrance facilities (or obtains entrance facilities from a third party), unless Accutel uses the combination to provide a significant amount of local exchange service, in addition to exchange access service, to a particular customer. To the extent Accutel converts its special access services to combinations of loop and transport network elements at UNE prices, Accutel, hereby, certifies that it is providing a significant amount of local exchange service over such combinations. BellSouth may at its sole discretion audit Accutel records in order to verify the type of traffic being transmitted over combinations of loop and transport network elements. If, based on its audits, BellSouth concludes that Accutel is not providing a significant amount of local exchange traffic over the combinations of loop and transport network elements, BellSouth may file a complaint with the appropriate Commission, pursuant to the dispute resolution process as set forth in the Interconnection Agreement. In the event that BellSouth prevails, BellSouth may convert such combinations of loop and transport network elements to special access services and may seek appropriate retroactive reimbursement from Accutel.
- 4.4.2 EEL combinations for DS1 level and above will be available only when Accutel provides and handles at least one third of the end user's local traffic over the facility provided. In addition, on the DS1 loop portion of the combination, at least fifty (50)

- percent of the activated channels must have at least five (5) percent local voice traffic individually and, for the entire DS1 facility, at least ten (10) percent of the traffic must be local voice traffic.
- 4.4.3 When combinations of loop and transport network elements include multiplexing, each of the individual DS1 circuits must meet the above criteria.
- 4.5 Rates
- 4.5.1 Georgia
- 4.5.1.1 The non-recurring and recurring rates for the EEL Combinations of network elements set forth in 4.3, whether Currently Combined or new, are as set forth in Exhibit A of this Amendment.
- 4.5.1.2 On an interim basis, for combinations of loop and transport network facilities not set forth in Section 4.3, where the elements are not Currently Combined but are ordinarily combined in BellSouth's network, the non-recurring and recurring charges for such UNE combinations shall be the sum of the stand-alone non-recurring and recurring charges of the network elements which make up the combination. These interim rates shall be subject to true-up based on the Commission's review of BellSouth's cost studies.
- 4.5.1.3 To the extent that Accutel seeks to obtain other combinations of loop and transport network elements that BellSouth ordinarily combines in its network which have not been specifically priced by the Commission when purchased in combined form, Accutel, at its option, can request that such rates be determined pursuant to the Bona Fide Request/New Business Request (NBR) process set forth in the Agreement.
- 4.5.2 All Other States
- 4.5.2.1 Subject to Section 4.2.3 preceding, for all other states, the non-recurring and recurring rates for the Currently Combined EEL combinations set forth in Section 1.3 and other Currently Combined loop and transport network elements will be the sum of the non-recurring and recurring rates for the individual network elements unless otherwise negotiated by the parties.

5. Port/Loop Combinations

- 5.1 At Accutel's request, BellSouth shall provide access to combinations of port and loop network elements, as set forth in Section 1.4 below, that are currently combined in BellSouth's network except as specified in Sections 5.1.1 and 5.1.2 below.
- 5.1.1 BellSouth is not required to provide access to combinations of port and loop network elements in locations where BellSouth is not required to provide circuit switching.

5.1.2 BellSouth is not required to provide circuit switching in density Zone 1, as defined in 47 C.F.R. 69.123 as of January 1, 1999, of the Atlanta, Miami, Orlando, Fort Lauderdale, Charlotte, New Orleans, Greensboro and Nashville MSAs to Accutel if Accutel's customer has 4 or more DS0 equivalent lines.

5.2 Definition

5.2.1 For purposes of this Amendment, references to Currently Combined network elements shall mean that such network elements are in fact already combined in the BellSouth network to provide service to a particular end user at a particular location.

5.2.2 Combinations of port and loop network elements provide local exchange service for the origination or termination of calls. Section 5.4 following provides the combinations of port and loop network elements that may be ordered by Accutel when currently combined except in those locations where BellSouth is not required to provide circuit switching, as set forth in Section 5.1.2 above.

5.2.3 In Georgia, BellSouth shall provide combinations of port and loop network elements to Accutel regardless of whether or not such combinations are Currently Combined except in those locations where BellSouth is not required to provide circuit switching, as set forth in Section 5.1.2 above.

5.3 Rates for Combinations of Loop and Port Network Elements

5.3.1 Rates for combinations of loop and port network elements, as set forth in Section 5.4, are provided in Exhibit A of this Attachment

5.3.2 Rates for Circuit Switching

5.3.2.1 Rates for circuit switching, where BellSouth is not required, pursuant to Section 5.1, to provide circuit switching are as set forth in Exhibit A of this Attachment.

5.4 Combination Offerings

5.4.1 2-wire voice grade port, voice grade loop, virtual cross connect, unbundled end office switching, unbundled end office trunk port, common transport per mile per MOU, common transport facilities termination, tandem switching, and tandem trunk port.

5.4.2 2-wire voice grade DID port, voice grade loop, virtual cross connect, unbundled end office switching, unbundled end office trunk port, common transport per mile per MOU, common transport facilities termination, tandem switching, and tandem trunk port.

- 5.4.3 2-wire CENTREX port, voice grade loop virtual cross connect, unbundled end office switching, unbundled end office trunk port, common transport per mile per MOU, common transport facilities termination, tandem switching, and tandem trunk port.
- 5.4.4. 2-wire ISDN Basic Rate Interface, voice grade loop virtual cross connect, unbundled end office switching, unbundled end office trunk port, common transport per mile per MOU, common transport facilities termination, tandem switching, and tandem trunk port.
- 5.4.5 2-wire ISDN Primary Rate Interface, DS1 loop virtual cross connect, unbundled end office switching, unbundled end office trunk port, common transport per mile per MOU, common transport facilities termination, tandem switching, and tandem trunk port.
- 5.4.6 4-wire DS1 Trunk port, DS1 Loop virtual cross connect, unbundled end office switching, unbundled end office trunk port, common transport per mile per MOU, common transport facilities termination, tandem switching, and tandem trunk port.

6. Transport and Dark Fiber

All of the negotiated rates, terms and conditions set forth in this Section pertain to the provision of unbundled transport and dark fiber.

6.1. Transport

6.1.1 Definition of Common (Shared) Transport

Common (Shared) Transport is an interoffice transmission path between two BellSouth end-offices, BellSouth end-office and a local tandem, or between two local tandems. Where BellSouth Network Elements are connected by intra-office wiring, such wiring is provided as a part of the Network Elements and is not Common (Shared) Transport. Common (Shared) Transport consists of BellSouth inter-office transport facilities and is unbundled from local switching.

6.1.2 Technical Requirements of Common (Shared) Transport

- 6.1.2.1 Common (Shared) Transport provided on DS1 or VT1.5 circuits, shall, at a minimum, meet the performance, availability, jitter, and delay requirements specified for Central Office to Central Office (“CO to CO”) connections in the appropriate industry standards.
- 6.1.2.2 Common (Shared) Transport provided on DS3 circuits, STS-1 circuits, and higher transmission bit rate circuits, shall, at a minimum, meet the performance, availability, jitter, and delay requirements specified for CO to CO connections in the appropriate industry standards.

- 6.1.2.3 BellSouth shall be responsible for the engineering, provisioning, and maintenance of the underlying equipment and facilities that are used to provide Common (Shared) Transport.
- 6.1.2.4 At a minimum, Common (Shared) Transport shall meet all of the requirements set forth in the applicable industry standard technical references.
- 6.2 Interoffice transmission facility network elements include:
 - 6.2.1 Dedicated transport, defined as BellSouth's transmission facilities, including all technically feasible capacity-related services including, but not limited to, DS1, DS3 and OCn levels, dedicated to a particular customer or carrier, that provide telecommunications between wire centers or switches owned by BellSouth, or between wire centers and switches owned by BellSouth and Accutel.
 - 6.2.2 Dark Fiber transport, defined as BellSouth's optical transmission facilities without attached multiplexing, aggregation or other electronics;
 - 6.2.3 Shared transport, defined as transmission facilities shared by more than one carrier, including BellSouth, between end office switches, between end office switches and tandem switches, and between tandem switches, in BellSouth's network.
 - 6.2.4 BellSouth shall:
 - 6.2.4.1 Provide Accutel exclusive use of interoffice transmission facilities dedicated to a particular customer or carrier, or shared use of the features, functions, and capabilities of interoffice transmission facilities shared by more than one customer or carrier;
 - 6.2.4.2 Provide all technically feasible transmission facilities, features, functions, and capabilities that Accutel could use to provide telecommunications services;
 - 6.2.4.3 Permit, to the extent technically feasible, Accutel to connect such interoffice facilities to equipment designated by Accutel, including but not limited to, Accutel's collocated facilities; and
 - 6.2.4.4 Permit, to the extent technically feasible, Accutel to obtain the functionality provided by BellSouth's digital cross-connect systems in the same manner that BellSouth provides such functionality to interexchange carriers.
 - 6.2.5 Provided that the facility is used to transport a significant amount of local exchange services Accutel shall be entitled to convert existing interoffice transmission facilities (i.e., special access) to the corresponding interoffice transport network element option.

6.3 Dedicated Transport

6.3.1 Definitions

6.3.2 Dedicated Transport is defined as BellSouth transmission facilities dedicated to a particular customer or carrier that provide telecommunications between wire centers owned by BellSouth or requesting telecommunications carriers, or between switches owned by BellSouth or requesting telecommunications carriers.

6.3.3 Unbundled Local Channel

6.3.4 Unbundled Local Channel is the dedicated transmission path between Accutel's Point of Presence and the BellSouth Serving Wire Center's collocation.

6.3.5 Unbundled Interoffice Channel.

6.3.6 Unbundled Interoffice Channel is the dedicated transmission path that provides telecommunication between BellSouth's Serving Wire Centers' collocations.

6.3.7 BellSouth shall offer Dedicated Transport in each of the following ways:

6.3.7.1 As capacity on a shared UNE facility.

6.3.7.2 As a circuit (e.g., DS0, DS1, DS3) dedicated to Accutel. This circuit shall consist of an Unbundled Local Channel or an Unbundled Interoffice Channel or both.

6.3.8 When Dedicated Transport is provided it shall include:

6.3.8.1 Transmission equipment such as, line terminating equipment, amplifiers, and regenerators;

6.3.8.2 Inter-office transmission facilities such as optical fiber, copper twisted pair, and coaxial cable.

6.3.9 Rates for Dedicated Transport are listed in this Attachment. For those states that do not contain rates in this Attachment the rates in the applicable State Access Tariff will apply as interim rates. When final rates are developed, these interim rates will be subject to true up, and the Parties will amend the Agreement to reflect the new rates.

6.3.10 Technical Requirements

6.3.10.1 This Section sets forth technical requirements for all Dedicated Transport.

6.3.10.2 When BellSouth provides Dedicated Transport, the entire designated transmission service (e.g., DS0, DS1, DS3) shall be dedicated to Accutel designated traffic.

- 6.3.10.3 BellSouth shall offer Dedicated Transport in all technologies that become available including, but not limited to, (1) DS0, DS1 and DS3 transport services, and (2) SONET at available transmission bit rates.
- 6.3.10.4 For DS1 or VT1.5 circuits, Dedicated Transport shall, at a minimum, meet the performance, availability, jitter, and delay requirements specified for Customer Interface to Central Office (“CI to CO”) connections in the appropriate industry standards.
- 6.3.10.5 Where applicable, for DS3, Dedicated Transport shall, at a minimum, meet the performance, availability, jitter, and delay requirements specified for CI to CO connections in the appropriate industry standards.
- 6.3.10.6 BellSouth shall offer the following interface transmission rates for Dedicated Transport:
 - 6.3.10.6.1 DS0 Equivalent;
 - 6.3.10.6.2 DS1 (Extended SuperFrame - ESF);
 - 6.3.10.6.3 DS3 (signal must be framed);
 - 6.3.10.6.4 SDH (Synchronous Digital Hierarchy) Standard interface rates in accordance with International Telecommunications Union (ITU) Recommendation G.707 and Plesiochronous Digital Hierarchy (PDH) rates per ITU Recommendation G.704.
 - 6.3.10.6.5 When Dedicated Transport is provided, BellSouth shall design it according to BellSouth’s network infrastructure to allow for the termination points specified by Accutel.
- 6.3.11 At a minimum, Dedicated Transport shall meet each of the requirements set forth in the applicable industry technical references.
 - 6.3.11.1 BellSouth Technical References:
 - 6.3.11.2 TR-TSY-000191 Alarm Indication Signals Requirements and Objectives, Issue 1, May 1986.
 - 6.3.11.3 TR 73501 LightGate[®] Service Interface and Performance Specifications, Issue D, June 1995.
 - 6.3.11.4 TR 73525 MegaLink[®] Service, MegaLink Channel Service & MegaLink Plus Service Interface and Performance Specifications, Issue C, May 1996.

6.4 Unbundled Channelization

- 6.4.1 BellSouth agrees to offer access to Unbundled Channelization when available pursuant to following terms and conditions and at the rates set forth in the Attachment.
- 6.4.2 Definition
 - 6.4.2.1 Unbundled Channelization (UC) provides the multiplexing capability that will allow a DS1 (1.544 Mbps) or DS3 (44.736 Mbps) or STS-1 Unbundled Network Element (UNE) or collocation cross-connect to be multiplexed or channelized at a BellSouth central office. This can be accomplished through the use of a stand-alone multiplexer or a digital cross-connect system at the discretion of BellSouth. Once UC has been installed, Accutel can have channels activated on an as-needed basis by having BellSouth connect lower level UNEs via Central Office Channel Interfaces (COCI).
- 6.4.3 Channelization capabilities will be as follows:
 - 6.4.3.1 DS3 Channelization System: An element that channelizes a DS3 signal into 28 DS1s/STS-1s.
 - 6.4.3.2 DS1 Channelization System: An element that channelizes a DS1 signal into 24 DS0s.
 - 6.4.3.3 Central Office Channel Interfaces (COCI): Elements that can be activated on a channelization system.
- 6.4.4 DS1 Central Office Channel Interface elements can be activated on a DS3 Channelization System.
- 6.4.5 Voice Grade and Digital Data Central Office Channel Interfaces can be activated on a DS1 Channelization System.
- 6.4.6 AMI and B8ZS line coding with either Super Frame (SF) and Extended Super Frame (ESF) framing formats will be supported as options.
- 6.4.7 COCI will be billed on the lower level UNE order that is interfacing with the UC arrangement and will have to be compatible with those UNEs.
- 6.4.8 Channelization may be incorporated within dedicated transport or ordered as a stand-alone capability, which requires either the high or low speed side to be connected to collocation.
- 6.4.9 Technical Requirements

6.4.9.1 In order to assure proper operation with BST provided central office multiplexing functionality, the customer's channelization equipment must adhere strictly to form and protocol standards. Separate standards exist for the multiplex channel bank, for voice frequency encoding, for various signaling schemes, and for subrate digital access.

6.4.9.2 DS0 to DS1 Channelization

6.4.9.2.1 The DS1 signal must be framed utilizing the framing structure defined in ANSI T1.107, *Digital Hierarchy Formats Specifications* and ANSI T1.403.02, *DS1 Robbed-bit Signaling State Definitions*. DS0 to DS1 Channelization requirements are essentially the same as defined in BellSouth Technical Reference 73525, *MegaLink[®] Service, MegaLink[®] Channel Service, MegaLink[®] Plus Service, and MegaLink[®] Light Service Interface and Performance Specification*.

6.4.9.3 DS1 to DS3 Channelization

6.4.9.3.1 The DS3 signal must be framed utilizing the framing structure define in ANSI T1.107, *Digital Hierarchy Formats Specifications*. DS1 to DS3 Channelization requirements are essentially the same as defined in BellSouth Technical Reference 73501, *LightGate[®] Service Interface and Performance Specifications*. The asynchronous M13 multiplex format (combination of M12 and M23 formats) is specified for terminal equipment that multiplexes 28 DS1s into a DS3.

6.4.9.4 DS1 to STS Channelization

6.4.9.4.1 The STS-1 signal must be framed utilizing the framing structure define in ANSI T1.105, *Synchronous Optical Network (SONET) – Basic Description Including Multiplex Structure, Rates and Formats* and T1.105.02, *Synchronous Optical Network (SONET) – Payload Mappings*. DS1 to STS Channelization requirements are essentially the same as defined in BellSouth Technical Reference TR 73501, *LightGate[®] Service Interface and Performance Specifications*

6.5 Dark Fiber

6.5.1 Definition

6.5.2 Dark Fiber is optical transmission facilities without attached multiplexing, aggregation or other electronics that connects two points within BellSouth's network. Dark Fiber also includes strands of optical fiber existing in aerial or underground cable which may have lightwave repeater (regenerator or optical amplifier) equipment interspliced to it at appropriate distances, but which has no line terminating elements terminated to such strands to operationalize its transmission capabilities. 6.4.2 Dark Fiber is unused strands of optical fiber. It may be strands of optical fiber existing in

aerial or underground structure. No line terminating elements terminated to such strands to operationalize its transmission capabilities will be available. No regeneration or optical amplification will be included with this element.

6.5.3 Requirements

- 6.5.3.1 BellSouth shall make available Dark Fiber where it exists in BellSouth's network and where, as a result of future building or deployment, it becomes available. If BellSouth has plans to use the fiber within a two-year period, there is no requirement to provide said fiber to Accutel.
- 6.5.3.2 If the requested dark fiber has any lightwave repeater equipment interspliced to it, BellSouth will remove such equipment at Accutel's request subject to time and materials charges.
- 6.5.3.3 Accutel may test the quality of the Dark Fiber to confirm its usability and performance specifications.
- 6.5.3.4 BellSouth shall use its best efforts to provide to Accutel information regarding the location, availability and performance of Dark Fiber within ten (10) business days for a records based answer and twenty (20) business days for a field based answer, after receiving a request from Accutel ("Request"). Within such time period, BellSouth shall send written confirmation of availability of the Dark Fiber ("Confirmation"). From the time of the Request to forty-five (45) days after Confirmation, BellSouth shall hold such requested Dark Fiber for Accutel's use and may not allow any other party to use such media, including BellSouth.
- 6.5.3.5 BellSouth shall use its best efforts to make Dark Fiber available to Accutel within thirty (30) business days after it receives written confirmation from Accutel that the Dark Fiber previously deemed available by BellSouth is wanted for use by Accutel. This includes identification of appropriate connection points (e.g., Light Guide Interconnection (LGX) or splice points) to enable Accutel to connect or splice Accutel provided transmission media (e.g., optical fiber) or equipment to the Dark Fiber.
- 6.5.3.6 Dark Fiber shall meet the manufacturer's design specifications.
- 6.5.3.7 Accutel may splice and test Dark Fiber obtained from BellSouth using Accutel or Accutel designated personnel. BellSouth shall provide appropriate interfaces to allow splicing and testing of Dark Fiber. BellSouth shall provide an excess cable length of 25 feet minimum (for fiber in underground conduit) to allow the uncoiled fiber to reach from the manhole to a splicing van.

6.6 **Rates**

6.6.1 The prices that Accutel shall pay to BellSouth for Network Elements and Other Services are set forth in Exhibit C to this Attachment.

6.7 Operational Support Systems (OSS)

6.7.1 BellSouth has developed and made available the following mechanized systems by which Accutel may submit LSRs electronically.

| | |
|------|-----------------------------------|
| LENS | Local Exchange Navigation System |
| EDI | Electronic Data Interchange |
| TAG | Telecommunications Access Gateway |

6.7.2 LSRs submitted by means of one of these interactive interfaces will incur an OSS electronic ordering charge as specified in the table below. An individual LSR will be identified for billing purposes by its Purchase Order Number (PON). LSRs submitted by means other than one of these interactive interfaces (mail, fax, courier, etc.) will incur a manual order charge as specified in the table below:

| OPERATIONAL SUPPORT SYSTEMS | AL, GA, LA, MS, SC | FL, KY, NC, TN |
|---|-----------------------------|----------------|
| OSS LSR charge, per LSR received from the CLEC by one of the OSS interactive interfaces | \$3.50 | \$3.50 |
| | SOMECH | SOMECH |
| Incremental charge per LSR received from the CLEC by means other than one of the OSS interactive interfaces | See applicable rate element | \$19.99 |
| | | SOMAN |

6.7.3 Denial/Restoral OSS Charge

6.7.3.1 In the event Accutel provides a list of customers to be denied and restored, rather than an LSR, each location on the list will require a separate PON and, therefore will be billed as one LSR per location.

6.7.4 Cancellation OSS Charge

6.7.4.1 Accutel will incur an OSS charge for an accepted LSR that is later canceled by Accutel.

Note: Supplements or clarifications to a previously billed LSR will not incur another OSS charge.

6.7.5 Network Elements and Other Services Manual Additive

- 6.7.5.1 The Commissions in some states have ordered per-element manual additive non-recurring charges (NRC) for Network Elements and Other Services ordered by means other than one of the interactive interfaces. These ordered Network Elements and Other Services manual additive NRCs will apply in these states, rather than the charge per LSR. The per-element charges are listed on the Rate Tables in Exhibit A.

7. BellSouth SWA 8XX Toll Free Dialing Ten Digit Screening Service

All of the negotiated rates, terms and conditions set forth in this Section pertain to the provision of 8XX Access Ten Digit Screening Services.

7.1 BellSouth SWA 8XX Toll Free Dialing Ten Digit Screening Service database

7.1.1 The BellSouth SWA 8XX Toll Free Dialing Ten Digit Screening Service database (herein known as 8XX SCP) is a SCP that contains customer record information and functionality to provide call-handling instructions for 8XX calls. The 8XX SCP IN software stores data downloaded from the national SMS and provides the routing instructions in response to queries from the SSP or tandem. The BellSouth SWA 8XX Toll Free Dialing Ten Digit Screening Service (herein know as 8XX TFD), utilizes the 8XX SCP to provide identification and routing of the 8XX calls, based on the ten digits dialed. 8XX TFD is provided with or without POTS number delivery, dialing number delivery, and other optional complex features as selected by Accutel. BellSouth shall provide 8XX TFD in accordance with the following:

7.1.2 Technical Requirements

7.1.2.1 BellSouth shall provide Accutel with access to the 8XX record information located in the 8XX SCP. The 8XX SCP contains current records as received from the national SMS and will provide for routing 8XX originating calls based on the dialed ten digit 8XX number.

7.1.2.2 The 8XX SCP is designated to receive and respond to queries using the American National Standard Specification of Signaling System Seven (SS7) protocol. The 8XX SCP shall determine the carrier identification based on all ten digits of the dialed number and route calls to the carrier, POTS number, dialing number and/or other optional feature selected by Accutel.

7.1.2.3 The SCP shall also provide, at Accutel's option, such additional feature as described in SR-TSV-002275 (BOC Notes on BellSouth Networks, SR-TSV-002275, Issue 2, (Telcordia (formerly BellCore), April 1994)) as are available to BellSouth. These may include but are not limited to:

7.1.2.3.1 Network Management;

7.1.2.3.2 Customer Sample Collection; and

7.1.2.3.3 Service Maintenance.

7.2 Automatic Location Identification/Data Management System (ALI/DMS)

7.2.1 The ALI/DMS Database contains end user information (including name, address, telephone information, and sometimes special information from the local service provider or end user) used to determine to which Public Safety Answering Point (PSAP) to route the call. The ALI/DMS database is used to provide more routing flexibility for E911 calls than Basic 911. BellSouth shall provide the Emergency Services Database in accordance with the following:

7.3 Rates

The prices that Accutel shall pay to BellSouth for Network Elements and Other Services are set forth in Exhibit C to this Attachment.

8 Line Information Database (LIDB)

8.1 All of the negotiated rates, terms and conditions set forth in this Section pertain to the provision of LIDB.

8.2 BellSouth will store in its LIDB only records relating to service in the BellSouth region. The LIDB Storage Agreement is included in this Attachment.

8.2.1 Definition

8.2.2 The Line Information Database (LIDB) is a transaction-oriented database accessible through Common Channel Signaling (CCS) networks. It contains records associated with end user Line Numbers and Special Billing Numbers. LIDB accepts queries from other Network Elements and provides appropriate responses. The query originator need not be the owner of LIDB data. LIDB queries include functions such as screening billed numbers that provides the ability to accept Collect or Third Number Billing calls and validation of Telephone Line Number based non-proprietary calling cards. The interface for the LIDB functionality is the interface between BellSouth's CCS network and other CCS networks. LIDB also interfaces to administrative systems.

8.2.3 Technical Requirements

8.2.4 BellSouth will offer to Accutel any additional capabilities that are developed for LIDB during the life of this Agreement.

8.2.4.1 BellSouth shall process Accutel's Customer records in LIDB at least at parity with BellSouth customer records, with respect to other LIDB functions. BellSouth shall indicate to Accutel what additional functions (if any) are performed by LIDB in the BellSouth network.

8.2.4.2 Within two (2) weeks after a request by Accutel, BellSouth shall provide Accutel with a list of the customer data items, which Accutel would have to provide in order to support each required LIDB function. The list shall indicate which data items are essential to LIDB function, and which are required only to support certain services. For each data item, the list shall show the data formats, the acceptable values of the data item and the meaning of those values.

8.2.4.3 BellSouth shall provide LIDB systems for which operating deficiencies that would result in calls being blocked shall not exceed 30 minutes per year.

8.2.4.4 BellSouth shall provide LIDB systems for which operating deficiencies that would not result in calls being blocked shall not exceed 12 hours per year.

- 8.2.4.5 BellSouth shall provide LIDB systems for which the LIDB function shall be in overload no more than 12 hours per year.
- 8.2.4.6 All additions, updates and deletions of Accutel data to the LIDB shall be solely at the direction of Accutel. Such direction from Accutel will not be required where the addition, update or deletion is necessary to perform standard fraud control measures (e.g., calling card auto-deactivation).
- 8.2.4.7 BellSouth shall provide priority updates to LIDB for Accutel data upon Accutel's request (e.g., to support fraud detection), via password-protected telephone card, facsimile, or electronic mail within one hour of notice from the established BellSouth contact.
- 8.2.4.8 BellSouth shall provide LIDB systems such that no more than 0.01% of Accutel customer records will be missing from LIDB, as measured by Accutel audits. BellSouth will audit Accutel records in LIDB against DBAS to identify record mismatches and provide this data to a designated Accutel contact person to resolve the status of the records and BellSouth will update system appropriately. BellSouth will refer record of mis-matches to Accutel within one business day of audit. Once reconciled records are received back from Accutel, BellSouth will update LIDB the same business day if less than 500 records are received before 1:00PM Central Time. If more than 500 records are received, BellSouth will contact Accutel to negotiate a time frame for the updates, not to exceed three business days.
- 8.2.4.9 BellSouth shall perform backup and recovery of all of Accutel's data in LIDB including sending to LIDB all changes made since the date of the most recent backup copy, in at least the same time frame BellSouth performs backup and recovery of BellSouth data in LIDB for itself. Currently, BellSouth performs backups of the LIDB for itself on a weekly basis and when a new software release is scheduled, a backup is performed prior to loading the new release.
- 8.2.4.10 BellSouth shall provide Accutel with LIDB reports of data, which are missing or contain errors, as well as any misrouted errors, within a reasonable time period as negotiated between Accutel and BellSouth.
- 8.2.4.11 BellSouth shall prevent any access to or use of Accutel data in LIDB by BellSouth personnel that are outside of established administrative and fraud control personnel, or by any other Party that is not authorized by Accutel in writing.
- 8.2.4.12 BellSouth shall provide Accutel performance of the LIDB Data Screening function, which allows a LIDB to completely or partially deny specific query originators access to LIDB data owned by specific data owners, for Customer Data that is part of an NPA-NXX or RAO-0/1XX wholly or partially owned by Accutel at least at parity with BellSouth Customer Data. BellSouth shall obtain from Accutel the screening

information associated with LIDB Data Screening of Accutel data in accordance with this requirement. BellSouth currently does not have LIDB Data Screening capabilities. When such capability is available, BellSouth shall offer it to Accutel under the Bona Fide Request/New Business Process as set forth in General Terms and Conditions.

8.2.4.13 BellSouth shall accept queries to LIDB associated with Accutel customer records, and shall return responses in accordance with industry standards.

8.2.4.14 BellSouth shall provide mean processing time at the LIDB within 0.50 seconds under normal conditions as defined in industry standards.

8.2.4.15 BellSouth shall provide processing time at the LIDB within 1 second for 99% of all messages under normal conditions as defined in industry standards.

8.2.5 Interface Requirements

8.2.6 BellSouth shall offer LIDB in accordance with the requirements of this subsection.

8.2.6.1 The interface to LIDB shall be in accordance with the technical references contained within.

8.2.6.2 The CCS interface to LIDB shall be the standard interface described herein.

8.2.6.3 The LIDB Data Base interpretation of the ANSI-TCAP messages shall comply with the technical reference herein. Global Title Translation shall be maintained in the signaling network in order to support signaling network routing to the LIDB.

8.3 **Rates**

The prices that Accutel shall pay to BellSouth for Network Elements and Other Services are set forth in Exhibit C to this Attachment.

9 Signaling

9.1 All of the negotiated rates, terms and conditions set forth in this Section pertain to the provision of Signaling Transport Services.

9.2 BellSouth agrees to offer access to signaling and access to BellSouth's signaling databases subject to compatibility testing and at the rates set forth in this Attachment. BellSouth may provide mediated access to BellSouth signaling systems and databases. Available signaling elements include signaling links, signal transfer points and service control points. Signaling functionality will be available with both A-link and B-link connectivity.

9.3 Signaling Link Transport

9.3.1 Definition Signaling Link Transport is a set of two or four dedicated 56 Kbps. transmission paths between CLEC-designated Signaling Points of Interconnection (SPOI) that provides appropriate physical diversity.

9.3.2 Technical Requirements

9.3.2.1 Signaling Link Transport shall consist of full duplex mode 56 kbps transmission paths.

9.3.3 Of the various options available, Signaling Link Transport shall perform in the following two ways:

9.3.3.1 As an "A-link" which is a connection between a switch or SCP and a home Signaling Transfer Point Switch (STP) pair; and

9.3.3.2 As a "B-link" which is a connection between two STP pairs in different company networks (e.g., between two STP pairs for two Competitive Local Exchange Carriers (CLECs)).

9.3.4 Signaling Link Transport shall consist of two or more signaling link layers as follows:

9.3.4.1 An A-link layer shall consist of two links.

9.3.4.2 A B-link layer shall consist of four links.

9.3.5 A signaling link layer shall satisfy a performance objective such that:

9.3.5.1 There shall be no more than two minutes down time per year for an A-link layer; and

- 9.3.5.2 There shall be negligible (less than 2 seconds) down time per year for a B-link layer.
- 9.3.5.3 A signaling link layer shall satisfy interoffice and intraoffice diversity of facilities and equipment, such that:
 - 9.3.5.3.1 No single failure of facilities or equipment causes the failure of both links in an A-link layer (i.e., the links should be provided on a minimum of two separate physical paths end-to-end); and
 - 9.3.5.3.2 No two concurrent failures of facilities or equipment shall cause the failure of all four links in a B-link layer (i.e., the links should be provided on a minimum of three separate physical paths end-to-end).
- 9.3.5.4 Interface Requirements
 - 9.3.5.4.1 There shall be a DS1 (1.544 Mbps) interface at the Accutel designated SPOIs. Each 56 kbps transmission path shall appear as a DS0 channel within the DS1 interface.

9.4 Signaling Transfer Points (STPs)

- 9.4.1 Definition - Signaling Transfer Points is a signaling network function that includes all of the capabilities provided by the signaling transfer point switches (STPs) and their associated signaling links which enable the exchange of SS7 messages among and between switching elements, database elements and signaling transfer point switches.
- 9.4.2 Technical Requirements
 - 9.4.2.1 STPs shall provide access to Network Elements connected to BellSouth SS7 network. These include:
 - 9.4.2.1.1 BellSouth Local Switching or Tandem Switching;
 - 9.4.2.1.2 BellSouth Service Control Points/DataBases;
 - 9.4.2.1.3 Third-party local or tandem switching;
 - 9.4.2.1.4 Third-party-provided STPs.
 - 9.4.2.2 The connectivity provided by STPs shall fully support the functions of all other Network Elements connected to the BellSouth SS7 network. This explicitly includes the use of the BellSouth SS7 network to convey messages which neither originate nor terminate at a signaling end point directly connected to the BellSouth SS7 network (i.e., transient messages). When the BellSouth SS7 network is used to convey transient messages, there shall be no alteration of the Integrated Services Digital

- Network User Part (ISDNUP) or Transaction Capabilities Application Part (TCAP) user data that constitutes the content of the message.
- 9.4.2.3 If a BellSouth tandem switch routes calling traffic, based on dialed or translated digits, on SS7 trunks between an Accutel local switch and third party local switch, the BellSouth SS7 network shall convey the TCAP messages that are necessary to provide Call Management features (Automatic Callback, Automatic Recall, and Screening List Editing) between Accutel local STPs and the STPs that provide connectivity with the third party local switch, even if the third party local switch is not directly connected to BellSouth STPs.
- 9.4.2.4 STPs shall provide all functions of the MTP as defined in the applicable industry standard technical references.
- 9.4.2.5 STPs shall provide all functions of the SCCP necessary for Class 0 (basic connectionless) service, as defined in Telcordia (formerly BellCore) ANSI Interconnection Requirements. In particular, this includes Global Title Translation (GTT) and SCCP Management procedures, as specified in T1.112.4. In cases where the destination signaling point is a Accutel or third party local or tandem switching system directly connected to BellSouth SS7 network, BellSouth shall perform final GTT of messages to the destination and SCCP Subsystem Management of the destination. In all other cases, BellSouth shall perform intermediate GTT of messages to a gateway pair of STPs in an SS7 network connected with BellSouth SS7 network, and shall not perform SCCP Subsystem Management of the destination. If BellSouth performs final GTT to a Accutel database, then Accutel agrees to provide BellSouth with the Destination Point Code for the Accutel database.
- 9.4.2.6 STPs shall provide on a non-discriminatory basis all functions of the OMAP commonly provided by STPs, as specified in the reference in Section 12.4.5 of this Attachment. All OMAP functions will be on a "where available" basis and can include:
- 9.4.2.6.1 MTP Routing Verification Test (MRVT); and
- 9.4.2.6.2 SCCP Routing Verification Test (SRVT).
- 9.4.2.7 In cases where the destination signaling point is a BellSouth local or tandem switching system or database, or is an Accutel or third party local or tandem switching system directly connected to the BellSouth SS7 network, STPs shall perform MRVT and SRVT to the destination signaling point. In all other cases, STPs shall perform MRVT and SRVT to a gateway pair of STPs in an SS7 network connected with the BellSouth SS7 network. This requirement shall be superseded by the specifications for Internetwork MRVT and SRVT if and when these become

- approved ANSI standards and available capabilities of BellSouth STPs, and if mutually agreed upon by Accutel and BellSouth.
- 9.4.2.8 STPs shall be on parity with BellSouth.
- 9.4.2.9 SS7 Advanced Intelligent Network (AIN) Access
- 9.4.2.9.1 When technically feasible and upon request by Accutel, SS7 Access shall be made available in association with switching. SS7 AIN Access is the provisioning of AIN 0.1 triggers in an equipped BellSouth local switch and interconnection of the BellSouth SS7 network with the Accutel SS7 network to exchange TCAP queries and responses with an Accutel SCP.
- 9.4.2.9.2 SS7 AIN Access shall provide Accutel SCP access to BellSouth local switch in association with switching via interconnection of BellSouth SS7 and Accutel SS7 Networks. BellSouth shall offer SS7 access through its STPs. If BellSouth requires a mediation device on any part of its network specific to this form of access, BellSouth must route its messages in the same manner. The interconnection arrangement shall result in the BellSouth local switch recognizing the Accutel SCP as at least at parity with BellSouth's SCP's in terms of interfaces, performance and capabilities.
- 9.4.3 Interface Requirements
- 9.4.3.1 BellSouth shall provide the following STPs options to connect Accutel or Accutel-designated local switching systems or STPs to the BellSouth SS7 network:
- 9.4.3.1.1 An A-link interface from Accutel local switching systems; and,
- 9.4.3.1.2 A B-link interface from Accutel local STPs.
- 9.4.3.2 Each type of interface shall be provided by one or more sets (layers) of signaling links.
- 9.4.3.3 The Signaling Point of Interconnection (SPOI) for each link shall be located at a cross-connect element, such as a DSX-1, in the Central Office (CO) where BellSouth STP is located. There shall be a DS1 or higher rate transport interface at each of the SPOIs. Each signaling link shall appear as a DS0 channel within the DS1 or higher rate interface. BellSouth shall offer higher rate DS1 signaling for interconnecting Accutel local switching systems or STPs with BellSouth STPs as soon as these become approved ANSI standards and available capabilities of BellSouth STPs. BellSouth and Accutel will work jointly to establish mutually acceptable SPOIs.
- 9.4.3.4 BellSouth CO shall provide intraoffice diversity between the SPOIs and BellSouth STPs, so that no single failure of intraoffice facilities or equipment shall cause the

- failure of both B-links in a layer connecting to a BellSouth STP. BellSouth and Accutel will work jointly to establish mutually acceptable SPOIs.
- 9.4.3.5 STPs shall provide all functions of the MTP as defined in the applicable industry standard technical references.
- 9.4.3.6 Message Screening
- 9.4.3.6.1 BellSouth shall set message screening parameters so as to accept valid messages from Accutel local or tandem switching systems destined to any signaling point within BellSouth's SS7 network where the Accutel switching system has a legitimate signaling relation.
- 9.4.3.6.2 BellSouth shall set message screening parameters so as to pass valid messages from Accutel local or tandem switching systems destined to any signaling point or network accessed through BellSouth's SS7 network where the Accutel switching system has a legitimate signaling relation.
- 9.4.3.6.3 BellSouth shall set message screening parameters so as to accept and pass/send valid messages destined to and from Accutel from any signaling point or network interconnected through BellSouth's SS7 network where the Accutel SCP has a legitimate signaling relation.
- 9.4.4 STPs shall be equal to or better than all of the requirements for STPs set forth in the applicable industry standard technical references.

9.5 Service Control Points/Databases

9.5.1 Definition

- 9.5.1.1 Databases are the Network Elements that provide the functionality for storage of, access to, and manipulation of information required to offer a particular service and/or capability. Databases include, but are not limited to: Local Number Portability, LIDB, Toll Free Number Database, Automatic Location Identification/Data Management System, Calling Name Database, access to Service Creation Environment and Service Management System (SCE/SMS) application databases and Directory Assistance.
- 9.5.2 A Service Control Point (SCP) is a specific type of Database functionality deployed in a Signaling System 7 (SS7) network that executes service application logic in response to SS7 queries sent to it by a switching system also connected to the SS7 network. Service Management Systems provide operational interfaces to allow for

provisioning, administration and maintenance of subscriber data and service application data stored in SCPs.

9.5.3 Technical Requirements for SCPs/Databases

9.5.3.1 Requirements for SCPs/Databases within this section address storage of information, access to information (e.g. signaling protocols, response times), and administration of information (e.g., provisioning, administration, and maintenance). All SCPs/Databases shall be provided to Accutel in accordance with the following requirements.

9.5.3.2 BellSouth shall provide physical access to SCPs through the SS7 network and protocols with TCAP as the application layer protocol.

9.5.3.3 BellSouth shall provide physical interconnection to databases via industry standard interfaces and protocols (e.g. SS7, ISDN and X.25).

9.5.3.4 The reliability of interconnection options shall be consistent with requirements for diversity and survivability.

9.5.4 Database Availability

9.5.4.1 Call processing databases shall have a maximum unscheduled availability of 30 minutes per year. Unavailability due to software and hardware upgrades shall be scheduled during minimal usage periods and only be undertaken upon proper notification to providers, which might be impacted. Any downtime associated with the provision of call processing related databases will impact all service providers, including BellSouth, equally.

9.5.4.2 The operational interface provided by BellSouth shall complete Database transactions (i.e., add, modify, delete) for Accutel customer records stored in BellSouth databases within 3 days, or sooner where BellSouth provisions its own customer records within a shorter interval.

9.6 Local Number Portability Database

9.6.1 Definition

9.6.2 The Permanent Number Portability (PNP) database supplies routing numbers for calls involving numbers that have been ported from one local service provider to another. PNP is currently being worked in industry forums. The results of these forums will dictate the industry direction of PNP. BellSouth agrees to provide access to the PNP database at rates, terms and conditions as set forth by BellSouth and in accordance with an effective FCC or Commission directive.

9.7 SS7 Network Interconnection

- 9.7.1 Definition.
- 9.7.2 SS7 Network Interconnection is the interconnection of Accutel local Signaling Transfer Point Switches (STP) and Accutel local or tandem switching systems with BellSouth STPs. This interconnection provides connectivity that enables the exchange of SS7 messages among BellSouth switching systems and databases (DBs), Accutel local or tandem switching systems, and other third-party switching systems directly connected to the BellSouth SS7 network.
- 9.7.3 Technical Requirements
- 9.7.3.1 SS7 Network Interconnection shall provide connectivity to all components of the BellSouth SS7 network. These include:
- 9.7.3.1.1 BellSouth local or tandem switching systems;
 - 9.7.3.1.2 BellSouth DBs; and
 - 9.7.3.1.3 Other third-party local or tandem switching systems.
- 9.7.4 The connectivity provided by SS7 Network Interconnection shall fully support the functions of BellSouth switching systems and DBs and Accutel or other third-party switching systems with A-link access to the BellSouth SS7 network.
- 9.7.5 If traffic is routed based on dialed or translated digits between an Accutel local switching system and a BellSouth or other third-party local switching system, either directly or via a BellSouth tandem switching system, then it is a requirement that the BellSouth SS7 network convey via SS7 Network Interconnection the TCAP messages that are necessary to provide Call Management services (Automatic Callback, Automatic Recall, and Screening List Editing) between the Accutel local STPs and BellSouth or other third-party local switch.
- 9.7.6 When the capability to route messages based on Intermediate Signaling Network Identifier (ISNI) is generally available on BellSouth STPs, the BellSouth SS7 Network shall also convey TCAP messages using SS7 Network Interconnection in similar circumstances where the BellSouth switch routes traffic based on a Carrier Identification Code (CIC).
- 9.7.7 SS7 Network Interconnection shall provide all functions of the MTP as specified in ANSI T1.111. This includes:
- 9.7.7.1 Signaling Data Link functions, as specified in ANSI T1.111.2;
 - 9.7.7.2 Signaling Link functions, as specified in ANSI T1.111.3; and
 - 9.7.7.3 Signaling Network Management functions, as specified in ANSI T1.111.4.

- 9.7.8 SS7 Network Interconnection shall provide all functions of the SCCP necessary for Class 0 (basic connectionless) service, as specified in ANSI T1.112. In particular, this includes Global Title Translation (GTT) and SCCP Management procedures, as specified in T1.112.4. Where the destination signaling point is a BellSouth switching system or DB, or is another third-party local or tandem switching system directly connected to the BellSouth SS7 network, SS7 Network Interconnection shall include final GTT of messages to the destination and SCCP Subsystem Management of the destination. Where the destination signaling point is an Accutel local or tandem switching system, SS7 Network Interconnection shall include intermediate GTT of messages to a gateway pair of Accutel local STPs, and shall not include SCCP Subsystem Management of the destination.
- 9.7.9 SS7 Network Interconnection shall provide all functions of the Integrated Services Digital Network User Part (ISDNUP), as specified in ANSI T1.113.
- 9.7.10 SS7 Network Interconnection shall provide all functions of the TCAP, as specified in ANSI T1.114.
- 9.7.11 If and when Internetwork MTP Routing Verification Test (MRVT) and SCCP Routing Verification Test (SRVT) become approved ANSI standards and available capabilities of BellSouth STPs, SS7 Network Interconnection shall provide these functions of the OMAP.
- 9.7.12 SS7 Network Interconnection shall be equal to or better than the following performance requirements:
- 9.7.12.1 MTP Performance, as specified in ANSI T1.111.6;
- 9.7.12.2 SCCP Performance, as specified in ANSI T1.112.5; and
- 9.7.12.3 ISDNUP Performance, as specified in ANSI T1.113.5.
- 9.7.13 Interface Requirements
- 9.7.13.1 BellSouth shall offer the following SS7 Network Interconnection options to connect Accutel or Accutel-designated local or tandem switching systems or STPs to the BellSouth SS7 network:
- 9.7.13.1.1 A-link interface from Accutel local or tandem switching systems; and
- 9.7.13.1.2 B-link interface from Accutel STPs.
- 9.7.13.2 The Signaling Point of Interconnection (SPOI) for each link shall be located at a cross-connect element, such as a DSX-1, in the Central Office (CO) where the BellSouth STP is located. There shall be a DS1 or higher rate transport interface at

- each of the SPOIs. Each signaling link shall appear as a DS0 channel within the DS1 or higher rate interface. BellSouth shall offer higher rate DS1 signaling links for interconnecting Accutel local switching systems or STPs with BellSouth STPs as soon as these become approved ANSI standards and available capabilities of BellSouth STPs. BellSouth and Accutel will work jointly to establish mutually acceptable SPOI.
- 9.7.13.3 BellSouth CO shall provide intraoffice diversity between the SPOIs and the BellSouth STP, so that no single failure of intraoffice facilities or equipment shall cause the failure of both B-links in a layer connecting to a BellSouth STP. BellSouth and Accutel will work jointly to establish mutually acceptable SPOI.
- 9.7.13.4 The protocol interface requirements for SS7 Network Interconnection include the MTP, ISDNUP, SCCP, and TCAP. These protocol interfaces shall conform to the applicable industry standard technical references.
- 9.7.13.5 BellSouth shall set message screening parameters to accept messages from Accutel local or tandem switching systems destined to any signaling point in the BellSouth SS7 network with which the Accutel switching system has a legitimate signaling relation.
- 9.7.13.6 SS7 Network Interconnection shall be equal to or better than all of the requirements for SS7 Network Interconnection set forth in the applicable industry standard technical references.

9.8 Rates

The prices that Accutel shall pay to BellSouth for Network Elements and Other Services are set forth in Exhibit C to this Attachment.

10. Operator Call Processing, Inward Operator Services and Directory Assistance Services

10.1 All of the negotiated rates, terms and conditions set forth in this Section pertain to the provision of Operator Call Processing, Inward Operator Services and Directory Assistance Services.

10.2 Operator Systems

10.2.1 Definition. Operator Systems is the Network Element that provides operator and automated call handling and billing, special services, end user telephone listings and optional call completion services. The Operator Systems, Network Element provides two types of functions: Operator Service functions and Directory Assistance Service functions, each of which are described in detail below.

10.3 Operator Service

10.3.1 Definition. Operator Service provides: (1) operator handling for call completion (for example, collect, third number billing, and manual credit card calls), (2) operator or automated assistance for billing after the end user has dialed the called number (for example, credit card calls); and (3) special services including but not limited to Busy Line Verification and Emergency Line Interrupt (ELI), Emergency Agency Call, Operator-assisted Directory Assistance, and Rate Quotes.

10.3.2 Requirements

10.3.2.1 When Accutel requests BellSouth to provide Operator Services, the following requirements apply:

10.3.2.1.1 BellSouth shall complete 0+ and 0- dialed local calls.

10.3.2.1.2 BellSouth shall complete 0+ intraLATA toll calls.

10.3.2.1.3 BellSouth shall process calls that are billed to Accutel end user's calling card that can be validated by BellSouth.

10.3.2.1.4 BellSouth shall complete person-to-person calls.

10.3.2.1.5 BellSouth shall complete collect calls.

10.3.2.1.6 BellSouth shall provide the capability for callers to bill to a third party and complete such calls.

10.3.2.1.7 BellSouth shall complete station-to-station calls.

- 10.3.2.1.8 BellSouth shall process emergency calls.
- 10.3.2.1.9 BellSouth shall process Busy Line Verify and Emergency Line Interrupt requests.
- 10.3.2.1.10 BellSouth shall process emergency call trace, as they do for their End users prior to the Effective Date. Call must originate from a 911 provider.
- 10.3.2.1.11 BellSouth shall process operator-assisted directory assistance calls.
- 10.3.2.1.12 BellSouth shall adhere to equal access requirements, providing Accutel local end users the same IXC access as provided to BellSouth end users.
- 10.3.2.1.13 BellSouth shall exercise at least the same level of fraud control in providing Operator Service to Accutel that BellSouth provides for its own operator service.
- 10.3.2.1.14 BellSouth shall perform Billed Number Screening when handling Collect, Person-to-Person, and Billed-to-Third-Party calls.
- 10.3.2.1.15 BellSouth shall direct customer account and other similar inquiries to the customer service center designated by Accutel.
- 10.3.2.1.16 BellSouth shall provide a feed of customer call records in “EMI” format to Accutel in accordance with CLEC ODUF standards specified in Attachment 7.

10.3.3 Interface Requirements

- 10.3.3.1 With respect to Operator Services for calls that originate on local switching capability provided by or on behalf of Accutel, the interface requirements shall conform to the then current established system interface specifications for the platform used to provide Operator Service and the interface shall conform to industry standards.

10.4 **Directory Assistance Service**

- 10.4.1 Definition. Directory Assistance Service provides local end user telephone number listings with the option to complete the call at the callers direction separate and distinct from local switching.
- 10.4.2 Requirements
- 10.4.3 Directory Assistance Service shall provide up to two listing requests per call. If available and if requested by Accutel’s end user, BellSouth shall provide caller-optional directory assistance call completion service at rates contained in this Attachment to one of the provided listings, equal to that which BellSouth provides its end users. If not available, Accutel may request such requirement pursuant to the Bona Fide Request/New Business Process as set forth in General Terms and Conditions.

10.4.4 Directory Assistance Service Updates

10.4.4.1 BellSouth shall update end user listings changes daily. These changes include:

10.4.4.1.1 New end user connections: BellSouth will provide service to Accutel that is equal to the service it provides to itself and its end users;

10.4.4.1.2 End user disconnections: BellSouth will provide service to Accutel that is equal to the service it provides to itself and its end users; and

10.4.4.1.3 End user address changes: BellSouth will provide service to Accutel that is equal to the service it provides to itself and its end users;

10.4.4.1.4 These updates shall also be provided for non-listed and non-published numbers for use in emergencies.

10.4.5 Branding for Operator Call Processing and Directory Assistance

10.4.5.1 The BellSouth Operator Systems Branding Feature provides a definable announcement to Accutel end users using Directory Assistance (DA)/Operator Call Processing (OCP) prior to placing them in queue or connecting them to an available operator or automated operator system. This feature allows Accutel to have its calls custom branded with Accutel's name on whose behalf BellSouth is providing Directory Assistance and/or Operator Call Processing. Rates for Custom Branding, Operator Call Process and Directory Assistance are set forth in this Attachment.

10.4.5.2 BellSouth offers four service levels of branding to Accutel when ordering Directory Assistance and/or Operator Call Processing.

10.4.5.2.1 Service Level 1 - BellSouth Branding

10.4.5.2.2 Service Level 2 - Unbranded

10.4.5.2.3 Service Level 3 - Custom Branding

10.4.5.2.4 Service Level 4 - Self Branding (applicable only to Accutel for Resale or use with an Unbundled Port when routing to an operator service provider other than BellSouth).

10.4.6 For Resellers and Use with an Unbundled Port

10.4.6.1 BellSouth Branding is the Default Service Level.

10.4.6.2 Unbranding, Custom Branding, and Self Branding require Accutel to order selective routing for each originating BellSouth end office identified by Accutel. Rates for Selective Routing are set forth in this Attachment.

- 10.4.6.3 Customer Branding and Self Branding require Accutel to order dedicated trunking from each BellSouth end office identified by Accutel, to either the BellSouth Traffic Operator Position System (TOPS) or Accutel Operator Service Provider. Rates for trunks are set forth in applicable BellSouth tariffs.
- 10.4.6.4 Unbranding - Unbranded Directory Assistance and/or Operator Call Processing calls ride common trunk groups provisioned by BellSouth from those end offices identified by Accutel to the BellSouth TOPS. These calls are routed to "No Announcement."
- 10.4.7 For Facilities Based Carriers
 - 10.4.7.1 All Service Levels require Accutel to order dedicated trunking from their end office(s) point of interface to the BellSouth TOPS Switches. Rates for trunks are set forth in applicable BellSouth tariffs.
 - 10.4.7.2 Customized Branding includes charges for the recording of the branding announcement and the loading of the audio units in each TOPS Switch, IVS and NAV equipment for which Accutel requires service.
- 10.4.8 Directory Assistance customized branding uses:
 - 10.4.8.1 the recording of the name;
 - 10.4.8.2 the front-end loading of the Digital Recorded Announcement Machine (DRAM) in each TOPS switch.
- 10.4.9 Operator Call Processing customized branding uses:
 - 10.4.9.1 the recording of the name;
 - 10.4.9.2 the front-end loading of the DRAM in the TOPS Switch;
 - 10.4.9.3 the back-end loading in the audio units in the Automated Alternate Billing System (AABS) in the Interactive Voice Subsystem (IVS);
 - 10.4.9.4 the 0- automation loading for the audio units in the Enhanced Billing and Access Service (EBAS) in the Network Applications Vehicle (NAV).
 - 10.4.9.5 BellSouth will provide to Accutel purchasing local BellSouth switching and reselling BellSouth local exchange service, selective routing of calls to a requested directory assistance services platform or operator services platform. Accutel end users may use the same dialing arrangements as BellSouth end users, but obtain a Accutel branded service.

10.5 Directory Assistance Database Service (DADS)

- 10.5.1 BellSouth shall make its Directory Assistance Database Service (DADS) available solely for the expressed purpose of providing Directory Assistance type services to Accutel end users. The term “end user” denotes any entity which obtains Directory Assistance type services for its own use from a DADS customer. Directory Assistance type service is defined as Voice Directory Assistance (DA Operator assisted and Electronic Directory Assistance (Data System assisted)). Accutel agrees that Directory Assistance Database Service (DADS) will not be used for any purpose which violates federal or state laws, statutes, regulatory orders or tariffs. Except for the permitted users, Accutel agrees not to disclose DADS to others and shall provide due care in providing for the security and confidentiality of DADS. Further, Accutel authorizes the inclusion of Accutel Directory Assistance listings in the BellSouth Directory Assistance products.
- 10.5.2 BellSouth shall provide Accutel initially with a base file of subscriber listings which reflect all listing change activity occurring since Accutel’s most recent update via magnetic tape, and subsequently using electronic connectivity such as Network Data Mover to be developed mutually by Accutel and BellSouth. Accutel agrees to assume the costs associated with CONNECT: Direct™ connectivity, which will vary depending upon volume and mileage.
- 10.5.3 BellSouth will require approximately one month after receiving an order to prepare the Base File. BellSouth will provide daily updates which will reflect all listing change activity occurring since CLEC’s most recent update. BellSouth shall provide updates to Accutel on a Business, Residence, or combined Business and Residence basis. Accutel agrees that the updates shall be used solely to keep the information current. Delivery of Daily Updates will commence the day after Accutel receives the Base File.
- 10.5.4 BellSouth is authorized to include Accutel Directory Assistance Listing Information in its Directory Assistance Database Service (DADS). Any other use by BellSouth of Accutel Directory Assistance Listing Information is not authorized and with the exception of a request for DADS, BellSouth shall refer any request for such information to Accutel.
- 10.5.5 Rates for DADS are as set forth in this Attachment.

10.6 Direct Access to Directory Assistance Service

- 10.6.1 Direct Access to Directory Assistance Service (DADAS) will provide Accutel’s directory assistance operators with the ability to search all available BellSouth’s subscriber listings using the Directory Assistance search format. Subscription to

- DADAS will allow Accutel to utilize its own switch, operator workstations and optional audio subsystems.
- 10.6.2 BellSouth will provide DADAS from its DA location. Accutel will access the DADAS system via a telephone company provided point of availability. Accutel has the responsibility of providing the physical links required to connect to the point of availability. These facilities may be purchased from the telephone company as rates and charges billed separately from the charges associated with this offering.
- 10.6.3 A specified interface to each Accutel subsystem will be provided by BellSouth. Interconnection between Accutel's system and a specified BellSouth location will be pursuant to the use of Accutel owned or Accutel leased facilities and shall be appropriate sized based upon the volume of queries being generated by Accutel.
- 10.6.4 The specifications for the three interfaces necessary for interconnection are available in the following documents:
- 10.6.4.1 DADAS to Subscriber Operator Position System—Northern Telecom Document CSI-2300-07; Universal Gateway/ Position Message Interface Format Specification;
- 10.6.4.2 DADAS to Subscriber Switch—Northern Telecom Document Q210-1 Version A107; NTDMS/CCIDAS System Application Protocol; and AT&T Document 250-900-535 Operator Services Position System Listing Service and Application Call Processing Data Link Interface Specification;
- 10.6.4.3 DADAS to Audio Subsystem (Optional)—Directory One Call Control to Audio Response Unit system interface specifications are available through Northern Telecom as a licensed access protocol—Northern Telecom Document 355-004424 and Gateway/Interactive Voice subsystem Protocol Specification.
- 10.6.5 Rates for DADAS are as set forth in this Attachment.
- 10.7 **Automatic Location Identification/Data Management System (ALI/DMS)**
- 10.7.1 The ALI/DMS Database contains end user information (including name, address, telephone information, and sometimes special information from the local service provider or end user) used to determine to which Public Safety Answering Point (PSAP) to route the call. The ALI/DMS database is used to provide more routing flexibility for E911 calls than Basic 911. BellSouth shall provide the Emergency Services Database in accordance with the following:
- 10.7.2 Technical Requirements
- 10.7.2.1 BellSouth shall offer Accutel a data link to the ALI/DMS database or permit Accutel to provide its own data link to the ALI/DMS database. BellSouth shall provide error

reports from the ALI/DMS database to Accutel immediately after Accutel inputs information into the ALI/DMS database. Alternately, Accutel may utilize BellSouth, to enter end user information into the data base on a demand basis, and validate end user information on a demand basis.

10.7.2.2 The ALI/DMS database shall contain the following end user information:

10.7.2.2.1 Name;

10.7.2.2.2 Address;

10.7.2.2.3 Telephone number; and

10.7.2.2.4 Other information as appropriate (e.g., whether a end user is blind or deaf or has another disability).

10.7.2.3 When BellSouth is responsible for administering the ALI/DMS database in its entirety, ported number NXXs entries for the ported numbers should be maintained unless Accutel requests otherwise and shall be updated if Accutel requests, provided Accutel supplies BellSouth with the updates.

10.7.2.4 When Remote Call Forwarding (RCF) is used to provide number portability to the local end user and a remark or other appropriate field information is available in the database, the shadow or "forwarded-to" number and an indication that the number is ported shall be added to the customer record.

10.7.2.5 If BellSouth is responsible for configuring PSAP features (for cases when the PSAP or BellSouth supports an ISDN interface) it shall ensure that CLASS Automatic Recall (Call Return) is not used to call back to the ported number. Although BellSouth currently does not have ISDN interface, BellSouth agrees to comply with this requirement once ISDN interfaces are in place.

10.7.3 Interface Requirements

The interface between the E911 Switch or Tandem and the ALI/DMS database for Accutel end users shall meet industry standards.

10.8 Rates

The prices that Accutel shall pay to BellSouth for Network Elements and Other Services are set forth in Exhibit C to this Attachment.

11. Calling Name (CNAM) Database Service

- 11.1 All of the negotiated rates, terms and conditions set forth in this Section pertain to the provision of CNAM.
- 11.2 The Agreement for Calling Name (CNAM) with standard pricing is included as Exhibit B to this Attachment. Accutel must provide to its account manager a written request with a requested activation date to activate this service. If Accutel is interested in requesting CNAM with volume and term pricing, Accutel must contact its account manager to request a separate CNAM volume and term Agreement.
- 11.3 SCPs/Databases shall be equal to or better than all of the requirements for SCPs/Databases set forth in the applicable industry standard technical references.

11.4 Service Creation Environment and Service Management System (SCE/SMS) Advanced Intelligent Network (AIN) Access

- 11.4.1 BellSouth's Service Creation Environment and Service Management System (SCE/SMS) Advanced Intelligent Network (AIN) Access shall provide Accutel the capability that will allow Accutel and other third parties to create service applications in a BellSouth Service Creation Environment and deploy those applications in a BellSouth SMS to a BellSouth SCP. The third party service applications interact with AIN triggers provisioned on a BellSouth SSP.
- 11.4.2 BellSouth's SCE/SMS AIN Access shall provide access to SCE hardware, software, testing and technical support (e.g., help desk, system administrator) resources available to Accutel. Scheduling procedures shall provide Accutel equivalent priority to these resources.
- 11.4.2 BellSouth SCP shall partition and protect Accutel service logic and data from unauthorized access, execution or other types of compromise.
- 11.4.3 When Accutel selects SCE/SMS AIN Access, BellSouth shall provide training, documentation, and technical support to enable Accutel to use BellSouth's SCE/SMS AIN Access to create and administer applications. Training, documentation, and technical support will address use of SCE and SMS access and administrative functions, but will not include support for the creation of a specific service application.
- 11.4.4 When Accutel selects SCE/SMS AIN Access, BellSouth shall provide for a secure, controlled access environment in association with its internal use of AIN components. Accutel access will be provided via remote data connection (e.g., dial-in, ISDN).

11.4.5 When Accutel selects SCE/SMS AIN Access, BellSouth shall allow Accutel to download data forms and/or tables to BellSouth SCP via BellSouth SMS without intervention from BellSouth (e.g., service customization and end user subscription).

11.5 Rates

The prices that Accutel shall pay to BellSouth for Network Elements and Other Services are set forth in Exhibit C to this Attachment.

12. Basic 911 and E911

12.1 All of the negotiated terms and conditions set forth in this Section pertain to the provision of Basic 911 and E911.

12.2 If Accutel orders network elements and other services, then Accutel is also responsible for providing E911 to its end users. BellSouth agrees to offer access to the 911/E911 network pursuant to the following terms and conditions set forth in this Attachment.

12.3 Definition

12.4 Basic 911 and E911 is an additional requirement that provides a caller access to the applicable emergency service bureau by dialing a 3-digit universal telephone number (911).

12.5 Requirements

12.5.1 Basic 911 Service Provisioning. For Basic 911 service, BellSouth will provide to Accutel a list consisting of each municipality that subscribes to Basic 911 service. The list will also provide, if known, the E911 conversion date for each municipality and, for network routing purposes, a ten-digit directory number representing the appropriate emergency answering position for each municipality subscribing to 911. Accutel will be required to arrange to accept 911 calls from its end users in municipalities that subscribe to Basic 911 service and translate the 911 call to the appropriate 10-digit directory number as stated on the list provided by BellSouth. Accutel will be required to route that call to BellSouth at the appropriate tandem or end office. When a municipality converts to E911 service, Accutel will be required to discontinue the Basic 911 procedures and being using E911 procedures.

12.5.2 E911 Service Provisioning. For E911 service, Accutel will be required to install a minimum of two dedicated trunks originating from the Accutel serving wire center and terminating to the appropriate E911 tandem. The dedicated trunks shall be, at a minimum, DS-0 level trunks configured either as a 2-wire analog interface or as part of a digital (1.544 Mb/s) interface. Either configuration shall use CAMA-type signaling with multifrequency (“MF”) pulsing that will deliver automatic number identification (“ANI”) with the voice portion of the call. If the user interface is digital, MF pulses, as well as other AC signals, shall be encoded per the u-255 Law convention. Accutel will be required to provide BellSouth daily updates to the E911 database. Accutel will be required to forward 911 calls to the appropriate E911 tandem, along with ANI, based upon the current E911 end office to tandem homing arrangement as provided by BellSouth. If the E911 tandem trunks are not available, Accutel will be required to route the call to a designated 7-digit local number residing

in the appropriate Public Service Answering Point (“PSAP”). This call will be transported over BellSouth’s interoffice network and will not carry the ANI of the calling party. Accutel shall be responsible for providing BellSouth with complete and accurate data for submission to the 911/E911 database for the purpose of providing 911/E911 to its end users.

- 12.5.3 Rates. Charges for 911/E911 service are borne by the municipality purchasing the service. BellSouth will impose no charge on Accutel beyond applicable charges for BellSouth trunking arrangements.
- 12.5.4 Basic 911 and E911 functions provided to Accutel shall be at least at parity with the support and services that BellSouth provides to its end users for such similar functionality.
- 12.5.5 Detailed Practices and Procedures. The detailed practices and procedures contained in the E911 Local Exchange Carrier Guide For Facility-Based Providers as amended from time to time during the term of this Agreement will determine the appropriate practices and procedures for BellSouth and Accutel to follow in providing 911/E911 services.

13. True-Up

This section applies only to North Carolina and Tennessee and other rates that are interim or expressly subject to true-up under this attachment.

- 13.1 The interim prices for Network Elements and Other Services and Local Interconnection shall be subject to true-up according to the following procedures:
- 13.2 The interim prices shall be trued-up, either up or down, based on final prices determined either by further agreement between the Parties, or by a final order (including any appeals) of the Commission which final order meets the criteria of (3) below. The Parties shall implement the true-up by comparing the actual volumes and demand for each item, together with interim prices for each item, with the final prices determined for each item. Each Party shall keep its own records upon which the true-up can be based, and any final payment from one Party to the other shall be in an amount agreed upon by the Parties based on such records. In the event of any disagreement as between the records or the Parties regarding the amount of such true-up, the Parties agree that the body having jurisdiction over the matter shall be called upon to resolve such differences, or the Parties may mutually agree to submit the matter to the Dispute Resolution process in accordance with the provisions of Section 16 of the General Terms and Conditions and Attachment 1 of the Agreement.

- 13.3 The Parties may continue to negotiate toward final prices, but in the event that no such Agreement is reached within nine (9) months, either Party may petition the Commission to resolve such disputes and to determine final prices for each item. Alternatively, upon mutual agreement, the Parties may submit the matter to the Dispute Resolution Process set forth in Section 16 of the General Terms and Conditions and Attachment 1 of the Agreement, so long as they file the resulting Agreement with the Commission as a “negotiated Agreement” under Section 252(e) of the Act.
- 13.4 A final order of this Commission that forms the basis of a true-up shall be the final order as to prices based on appropriate cost studies, or potentially may be a final order in any other Commission proceeding which meets the following criteria:
- (a) BellSouth and Accutel are entitled to be a full Party to the proceeding;
 - (b) It shall apply the provisions of the federal Telecommunications Act of 1996, including but not limited to Section 252(d)(1) (which contains pricing standards) and all then-effective implementing rules and regulations; and,
 - (c) It shall include as an issue the geographic deaveraging of network element and other services prices, which deaveraged prices, if any are required by said final order, shall form the basis of any true-up.

EXHIBIT A

**LINE INFORMATION DATA BASE (LIDB)
STORAGE AGREEMENT**

I. SCOPE

- A. This Agreement sets forth the terms and conditions pursuant to which BellSouth agrees to store in its LIDB certain information at the request of Accutel and pursuant to which BellSouth, its LIDB customers and Accutel shall have access to such information. Accutel understands that BellSouth provides access to information in its LIDB to various telecommunications service providers pursuant to applicable tariffs and agrees that information stored at the request of Accutel, pursuant to this Agreement, shall be available to those telecommunications service providers. The terms and conditions contained in the attached Addendum(s) are hereby made a part of this Agreement as if fully incorporated herein.
- B. LIDB is accessed for the following purposes:
1. Billed Number Screening
 2. Calling Card Validation
 3. Fraud Control
- C. BellSouth will provide seven days per week, 24-hours per day, fraud monitoring on Calling Cards, bill-to-third and collect calls made to numbers in BellSouth's LIDB, provided that such information is included in the LIDB query. BellSouth will establish fraud alert thresholds and will notify Accutel of fraud alerts so that Accutel may take action it deems appropriate. Accutel understands and agrees BellSouth will administer all data stored in the LIDB, including the data provided by Accutel pursuant to this Agreement, in the same manner as BellSouth's data for BellSouth's end user customers. BellSouth shall not be responsible to Accutel for any lost revenue which may result from BellSouth's administration of the LIDB pursuant to its established practices and procedures as they exist and as they may be changed by BellSouth in its sole discretion from time to time.

Accutel understands that BellSouth currently has in effect numerous billing and collection agreements with various interexchange carriers and billing clearing houses. Accutel further understands that these billing and collection customers of BellSouth query BellSouth's LIDB to determine whether to accept various billing options from end users. Additionally, Accutel understands that presently BellSouth has no method to differentiate between BellSouth's own billing and line data in the LIDB and such data which it includes in the LIDB on Accutel's behalf pursuant to this Agreement. Therefore, until such time as BellSouth can and does implement in its LIDB and its supporting systems the means to differentiate Accutel's data from BellSouth's data

and the Parties to this Agreement execute appropriate amendments hereto, the following terms and conditions shall apply:

- (a) Accutel agrees that it will accept responsibility for telecommunications services billed by BellSouth for its billing and collection customers for Accutel's end user accounts which are resident in LIDB pursuant to this Agreement. Accutel authorizes BellSouth to place such charges on Accutel's bill from BellSouth and agrees that it shall pay all such charges. Charges for which Accutel hereby takes responsibility include, but are not limited to, collect and third number calls.
- (b) Charges for such services shall appear on a separate BellSouth bill page identified with the name of the entity for which BellSouth is billing the charge.
- (c) Accutel shall have the responsibility to render a billing statement to its end users for these charges, but Accutel's obligation to pay BellSouth for the charges billed shall be independent of whether Accutel is able or not to collect from Accutel's end users.
- (d) BellSouth shall not become involved in any disputes between Accutel and the entities for which BellSouth performs billing and collection. BellSouth will not issue adjustments for charges billed on behalf of an entity to Accutel. It shall be the responsibility of Accutel and the other entity to negotiate and arrange for any appropriate adjustments.

II. TERM

This Agreement will be effective as of _____, and will continue in effect for one year, and thereafter may be continued until terminated by either Party upon thirty (30) days written notice to the other Party.

III. FEES FOR SERVICE AND TAXES

- A. Accutel will not be charged a fee for storage services provided by BellSouth to Accutel, as described in Section I of this Agreement.
- B. Sales, use and all other taxes (excluding taxes on BellSouth's income) determined by BellSouth or any taxing authority to be due to any federal, state or local taxing jurisdiction with respect to the provision of the service set forth herein will be paid by Accutel. Accutel shall have the right to have BellSouth contest with the imposing jurisdiction, at Accutel's expense, any such taxes that Accutel deems are improperly levied.

IV. INDEMNIFICATION

To the extent not prohibited by law, each Party will indemnify the other and hold the other harmless against any loss, cost, claim, injury, or liability relating to or arising out of negligence or willful misconduct by the indemnifying Party or its agents or contractors in connection with the indemnifying Party's provision of services, provided, however, that any indemnity for any loss, cost, claim, injury or liability arising out of or relating to errors or omissions in the provision of services under this Agreement shall be limited as otherwise specified in this Agreement. The indemnifying Party under this Section agrees to defend any suit brought against the other Party for any such loss, cost, claim, injury or liability. The indemnified Party agrees to notify the other Party promptly, in writing, of any written claims, lawsuits, or demands for which the other Party is responsible under this Section and to cooperate in every reasonable way to facilitate defense or settlement of claims. The indemnifying Party shall not be liable under this Section for settlement by the indemnified Party of any claim, lawsuit, or demand unless the defense of the claim, lawsuit, or demand has been tendered to it in writing and the indemnifying Party has unreasonably failed to assume such defense.

V. LIMITATION OF LIABILITY

Neither Party shall be liable to the other Party for any lost profits or revenues or for any indirect, incidental or consequential damages incurred by the other Party arising from this Agreement or the services performed or not performed hereunder, regardless of the cause of such loss or damage.

VI. MISCELLANEOUS

- A. It is understood and agreed to by the Parties that BellSouth may provide similar services to other companies.
- B. All terms, conditions and operations under this Agreement shall be performed in accordance with, and subject to, all applicable local, state or federal legal and regulatory tariffs, rulings, and other requirements of the federal courts, the U. S. Department of Justice and state and federal regulatory agencies. Nothing in this Agreement shall be construed to cause either Party to violate any such legal or regulatory requirement and either Party's obligation to perform shall be subject to all such requirements.
- C. Accutel agrees to submit to BellSouth all advertising, sales promotion, press releases, and other publicity matters relating to this Agreement wherein BellSouth's corporate or trade names, logos, trademarks or service marks or those of BellSouth's affiliated

- companies are mentioned or language from which the connection of said names or trademarks therewith may be inferred or implied; and Accutel further agrees not to publish or use advertising, sales promotions, press releases, or publicity matters without BellSouth's prior written approval.
- D. This Agreement constitutes the entire Agreement between Accutel and BellSouth which supersedes all prior Agreements or contracts, oral or written representations, statements, negotiations, understandings, proposals and undertakings with respect to the subject matter hereof.
- E. Except as expressly provided in this Agreement, if any part of this Agreement is held or construed to be invalid or unenforceable, the validity of any other Section of this Agreement shall remain in full force and effect to the extent permissible or appropriate in furtherance of the intent of this Agreement.
- F. Neither Party shall be held liable for any delay or failure in performance of any part of this Agreement for any cause beyond its control and without its fault or negligence, such as acts of God, acts of civil or military authority, government regulations, embargoes, epidemics, war, terrorist acts, riots, insurrections, fires, explosions, earthquakes, nuclear accidents, floods, strikes, power blackouts, volcanic action, other major environmental disturbances, unusually severe weather conditions, inability to secure products or services of other persons or transportation facilities, or acts or omissions of transportation common carriers.
- G. This Agreement shall be deemed to be a contract made under the laws of the State of Georgia, and the construction, interpretation and performance of this Agreement and all transactions hereunder shall be governed by the domestic law of such State.

**FACILITIES BASED ADDENDUM
TO LINE INFORMATION DATA BASE (LIDB)
STORAGE AGREEMENT**

This is a Facilities Based Addendum to the Line Information Data Base Storage Agreement dated _____, between BellSouth Telecommunications, Inc. (“BellSouth”), and _____ (“Accutel”), effective the ____ day of _____, _____.

I. GENERAL

This Addendum sets forth the terms and conditions for Accutel’s provision of billing number information to BellSouth for inclusion in BellSouth’s LIDB. BellSouth will store in its LIDB the billing number information provided by Accutel, and BellSouth will provide responses to on-line, call-by-call queries to this information for purposes specified in Section I.B. of the Agreement.

II. DEFINITIONS

- A. Billing number - a number that Accutel creates for the purpose of identifying an account liable for charges. This number may be a line or a special billing number.
- B. Line number - a ten digit number that identifies a telephone line administered by Accutel.
- C. Special billing number - a ten digit number that identifies a billing account established by Accutel.
- D. Calling Card number - a billing number plus PIN number.
- E. PIN number - a four digit security code assigned by Accutel which is added to a billing number to compose a fourteen digit calling card number.
- F. Toll billing exception indicator - associated with a billing number to indicate that it is considered invalid for billing of collect calls or third number calls or both, by Accutel.
- G. Billed Number Screening - refers to the activity of determining whether a toll billing exception indicator is present for a particular billing number.

- H. Calling Card Validation - refers to the activity of determining whether a particular calling card number exists as stated or otherwise provided by a caller.
- I. Billing number information - information about billing number, Calling Card number and toll billing exception indicator provided to BellSouth by Accutel.

III. RESPONSIBILITIES OF PARTIES

- A. Accutel will provide its billing number information to BellSouth's LIDB each business day by a method that has been mutually agreed upon by both Parties.
- B. BellSouth will store in its LIDB the billing number information provided by Accutel. Under normal operating conditions, BellSouth shall include Accutel's billing number information in its LIDB no later than two business days following BellSouth's receipt of such billing number information, provided that BellSouth shall not be held responsible for any delay or failure in performance to the extent such delay or failure is caused by circumstances or conditions beyond BellSouth's reasonable control. BellSouth will store in its LIDB an unlimited volume of Accutel's working telephone numbers.
- C. BellSouth will provide responses to on-line, call-by-call queries to the stored information for the specific purposes listed in the next paragraph.
- D. BellSouth is authorized to use the billing number information provided by Accutel to perform the following functions for authorized users on an on-line basis:
 - 1. Validate a 14 digit Calling Card number where the first 10 digits are a line number or special billing number assigned by Accutel, and where the last four digits (PIN) are a security code assigned by Accutel.
 - 2. Determine whether Accutel or the subscriber has identified the billing number as one which should not be billed for collect or third number calls, or both.
- E. Accutel will provide its own billing number information to BellSouth for storage and to be used for Billed Number Screening and Calling Card Validation. Accutel will arrange and pay for transport of updates to BellSouth.

IV. COMPLIANCE

Unless expressly authorized in writing by Accutel, all billing number information provided pursuant to this Addendum shall be used for no purposes other than those set forth in this Addendum.

EXHIBIT B**CALLING NAME DELIVERY (CNAM) DATABASE SERVICES****1. Definitions**

For the purpose of this Attachment, the following terms shall be defined as:

CALLING NAME DELIVERY DATABASE SERVICE (CNAM) - The ability to associate a name with the calling party number, allowing the end user subscriber (to which a call is being terminated) to view the calling party's name before the call is answered. This service also provides Accutel the opportunity to load and store its subscriber names in the BellSouth CNAM SCPs.

CALLING PARTY NUMBER (CPN) - The number of the calling party that is delivered to the terminating switch using common channel signaling system 7 (CCS7) technology, and that is contained in the Initial Address Message (IAM) portion of the CCS7 call setup.

COMMON CHANNEL SIGNALING SYSTEM 7 (CCS7) - A network signaling technology in which all signaling information between two or more nodes is transmitted over high-speed data links, rather than over voice circuits.

SERVICE CONTROL POINTs (SCPs) - The real-time data base systems that contain the names to be provided in response to queries received from CNAM SSPs.

SERVICE MANAGEMENT SYSTEM (SMS) - The main operations support system of CNAM DATABASE SERVICE. CNAM records are loaded into the SMS, which in turn downloads into the CNAM SCP.

SERVICE SWITCHING POINTs (SSPs) - Features of computerized switches in the telephone network that determine that a terminating line has subscribed to CNAM service, and then communicate with CNAM SCPs in order to provide the name associated with the calling party number.

SUBSYSTEM NUMBER (SSN) - The address used in the Signaling Connection Control Part (SCCP) layer of the SS7 protocol to designate an application at an end signaling point. A SSN for CNAM at the end office designates the CNAM application within the end office. BellSouth uses the CNAM SSN of 232.

2. Attachment

- 2.1 This Attachment contains the terms and conditions where BellSouth will provide to the Accutel access to the BellSouth CNAM SCP for query or record storage purposes.

- 2.2 Accutel shall submit to BellSouth a notice of its intent to access and utilize BellSouth CNAM Database Services pursuant to the terms and conditions of this Attachment. Said notice shall be in writing, no less than 60 days prior to Accutel's access to BellSouth's CNAM Database Services and shall be addressed to Accutel's Account Manager.

3. Physical Connection and Compensation

- 3.1 BellSouth's provision of CNAM Database Services to Accutel requires interconnection from Accutel to BellSouth CNAM Service Control Points (SCPs). Such interconnections shall be established pursuant to Attachment 3 of this Agreement . The appropriate charge for access to and use of the BellSouth CNAM Database service shall be as set forth in this Attachment.
- 3.2 In order to formulate a CNAM query to be sent to the BellSouth CNAM SCP, Accutel shall provide its own CNAM SSP. Accutel's CNAM SSPs must be compliant with TR-NWT-001188, "CLASS Calling Name Delivery Generic Requirements".
- 3.3 If Accutel elects to access the BellSouth CNAM SCP via a third party CCS7 transport provider, the third party CCS7 provider shall interconnect with the BellSouth CCS7 network according to BellSouth's Common Channel Signaling Interconnection Guidelines and Telcordia (formerly BellCore)'s CCS Network Interface Specification document, TR-TSV-000905. In addition, the third party provider shall establish CCS7 interconnection at the BellSouth Local Signal Transfer Points (LSTPs) serving the BellSouth CNAM SCPs that Accutel desires to query.
- 3.4 **Out-Of-Region Customers**
If the customer queries the BellSouth CNAM SCP via a third party national SS7 transport provider, the third party SS7 provider shall interconnect with the BellSouth CCS7 network according to BellSouth's Common Channel Signaling Interconnection Guidelines and Telcordia's (formerly BellCore's) CCS Network Interface Specification document, TR-TSV-000905. In addition, the third party provider shall establish SS7 interconnection at one or more of the BellSouth Gateway Signal Transfer Points (STPs). The payment of all costs associated with the transport of SS7 signals via a third party will be established by mutual agreement of the Parties in writing and shall, by this reference become an integral part of this Agreement.

4. CNAM Record Initial Load and Updates

- 4.1 The mechanism to be used by Accutel for initial CNAM record load and/or updates shall be determined by mutual agreement. The initial load and all updates shall be provided by Accutel in the BellSouth specified format and shall contain records for

every working telephone number that can originate phone calls. It is the responsibility of Accutel to provide accurate information to BellSouth on a current basis.

- 4.2 Updates to the SMS shall occur no less than once a week, reflect service order activity affecting either name or telephone number, and involve only record additions, deletions or changes.
- 4.3 Accutel CNAM records provided for storage in the BellSouth CNAM SCP shall be available, on a SCP query basis only, to all Parties querying the BellSouth CNAM SCP. Further, CNAM service shall be provided by each Party consistent with state and/or federal regulation.

BELLSOUTH/Accutel RATES NETWORK ELEMENTS
AND OTHER SERVICES
PORTS

| DESCRIPTION | USOC | AL | FL | GA | KY | LA | MS | NC | SC | TN |
|--|-------|---------|-----------------|-----------------|-----------------|---------|---------|---------|---------|--------------------|
| LOCAL EXCHANGE SWITCHING (PORTS) | | | | | | | | | | |
| 2-Wire Analog Line Port (Res., Bus.), per month | | | | | | | | | | |
| 2-wire voice unbundled port - residence | UEPRL | \$2.07 | \$2.00 - Note 1 | \$1.85 - Note 1 | \$2.61 - Note 1 | \$2.20 | \$2.11 | \$2.19 | \$2.35 | \$1.90 - Note 1 |
| 2-wire voice unbundled port with caller ID - residence | UEPRC | \$2.07 | \$2.00 | \$1.85 | \$2.61 | \$2.20 | \$2.11 | \$2.00 | \$2.35 | \$1.90 |
| 2-wire voice unbundled port outgoing only - residence | UEPRO | \$2.07 | \$2.00 | \$1.85 | \$2.61 | \$2.20 | \$2.11 | \$2.00 | \$2.35 | \$1.90 |
| 2-wire voice unbundled area plus port with caller ID - residence | UEPRM | \$2.07 | \$2.00 | \$1.85 | \$2.61 | \$2.20 | \$2.11 | \$2.00 | \$2.35 | \$1.90 |
| 2-wire voice unbundled Florida area calling with caller ID - residence | UEPAF | NA | \$2.00 | NA | NA | NA | NA | NA | NA | NA |
| 2-wire voice unbundled Louisiana Area Plus with caller ID - residence (RUL) | UEPAG | NA | NA | NA | NA | \$2.20 | NA | NA | NA | NA |
| 2-wire voice unbundled Louisiana Area Plus with caller ID - residence (AC7) | UEPAH | NA | NA | NA | NA | \$2.20 | NA | NA | NA | NA |
| 2-wire voice unbundled South Carolina Area Calling port with Caller ID - residence (LW8) | UEPAJ | NA | NA | NA | NA | NA | NA | NA | \$2.35 | NA |
| 2-wire voice unbundled Tennessee Area Calling port with Caller ID - residence (F2R) | UEPAK | NA | NA | NA | NA | NA | NA | NA | NA | \$1.90 |
| 2-wire voice unbundled Tennessee Area Calling port with Caller ID - residence (TACER) | UEPAL | NA | NA | NA | NA | NA | NA | NA | NA | \$1.90 |
| 2-wire voice unbundled Tennessee Area Calling port with Caller ID - residence (TACSR) | UEPAM | NA | NA | NA | NA | NA | NA | NA | NA | \$1.90 |
| 2-wire voice unbundled Tennessee Area Calling port with Caller ID - residence (1MF2X) | UEPAN | NA | NA | NA | NA | NA | NA | NA | NA | \$1.90 |
| 2-wire voice unbundled Tennessee Area Calling port with Caller ID - residence (2MR) | UEPAO | NA | NA | NA | NA | NA | NA | NA | NA | \$1.90 |
| 2-wire voice unbundled res, low usage line port with Caller ID (LUM) | UEPAP | \$2.07 | \$2.00 | \$1.85 | \$2.61 | \$2.20 | \$2.11 | \$2.00 | \$2.35 | \$1.90 |
| LOCAL NUMBER PORTABILITY (REQUIRES ONE PER PORT) | | | | | | | | | | |
| LNPCX | | | | | | | | | | |
| 2-wire voice unbundled port without Caller ID | UEPBL | \$2.07 | \$2.00 | \$1.85 | \$2.61 | \$2.20 | \$2.11 | \$2.00 | \$2.35 | \$1.90 |
| 2-wire voice unbundled port with unbundled port with Caller+E484 ID | UEPBC | \$2.07 | \$2.00 | \$1.85 | \$2.61 | \$2.20 | \$2.11 | \$2.00 | \$2.35 | \$1.90 |
| 2-wire voice unbundled outgoing only port | UEPBO | \$2.07 | \$2.00 | \$1.85 | \$2.61 | \$2.20 | \$2.11 | \$2.00 | \$2.35 | \$1.90 |
| 2-wire voice unbundled area plus port with Caller ID | UEPBM | \$2.07 | \$2.00 | \$1.85 | \$2.61 | \$2.20 | \$2.11 | \$2.00 | \$2.35 | \$1.90 |
| 2-wire voice unbundled incoming only port with Caller ID | UEPB1 | \$2.07 | \$2.00 | \$1.85 | \$2.61 | \$2.20 | \$2.11 | \$2.00 | \$2.35 | \$1.90 |
| 2-wire voice unbundled LA Bus Area Calling Port with Caller ID (BUC) | UEPAA | NA | NA | NA | NA | \$2.20 | NA | NA | NA | NA |
| 2-wire voice unbundled SC Bus Area Calling Port with Caller ID (LMB) | UEPAB | NA | NA | NA | NA | NA | NA | NA | \$2.35 | NA |
| 2-wire voice unbundled TN Bus 2-Way Area Calling Port Economy Option (TACC1) | UEPAC | NA | NA | NA | NA | NA | NA | NA | NA | \$1.90 |
| 2-wire voice unbundled TN Bus 2-Way Area Calling Port Standard Option (TACC2) | UEPAD | NA | NA | NA | NA | NA | NA | NA | NA | \$1.90 |
| 2-wire voice unbundled TN Bus 2-WAY Collierville and Memphis Local Calling Port (B2F) | UEPAE | NA | NA | NA | NA | NA | NA | NA | NA | \$1.90 |
| LOCAL NUMBER PORTABILITY (REQUIRES ONE PER PORT) | | | | | | | | | | |
| LNPCX | | | | | | | | | | |
| Non-Recurring Charges (NRC) - 1st (Residence) | | | | | | | | | | |
| 2-wire voice unbundled port - residence | UEPRL | \$21.93 | \$38.00 | \$17.16 | \$37.78 | \$16.43 | \$22.98 | \$21.60 | \$24.98 | BST GSST A4.3.1 |
| 2-wire voice unbundled port with caller ID - residence | UEPRC | \$21.93 | \$38.00 | \$17.16 | \$37.78 | \$16.43 | \$22.98 | \$24.04 | \$24.98 | BST GSST A4.3.1 |
| 2-wire voice unbundled port outgoing only - residence | UEPRO | \$21.93 | \$38.00 | \$17.16 | \$37.78 | \$16.43 | \$22.98 | \$24.04 | \$24.98 | BST GSST A4.3.1 |
| 2-wire voice unbundled area plus port with caller ID - residence | UEPRM | \$21.93 | \$38.00 | \$17.16 | \$37.78 | \$16.43 | \$22.98 | \$24.04 | \$24.98 | BST GSST A4.3.1 |
| 2-wire voice unbundled Florida area calling with caller ID - residence | UEPAF | NA | \$38.00 | NA | NA | NA | NA | NA | NA | NA |
| 2-wire voice unbundled Louisiana Area Plus with caller ID - residence (RUL) | UEPAG | NA | NA | NA | NA | \$16.43 | NA | NA | NA | NA |
| 2-wire voice unbundled Louisiana Area Plus with caller ID - residence (AC7) | UEPAH | NA | NA | NA | NA | \$16.43 | NA | NA | NA | NA |

BELLSOUTH/Accutel RATES NETWORK ELEMENTS
AND OTHER SERVICES
PORTS

| DESCRIPTION | USOC | AL | FL | GA | KY | LA | MS | NC | SC | TN |
|--|-------|---------|---------|---------|---------|---------|---------|---------|---------|--------------------|
| 2-wire voice unbundled South Carolina Area Calling port with Caller ID - residence (LW8) | UEPAJ | NA | NA | NA | NA | NA | NA | NA | \$24.98 | NA |
| 2-wire voice unbundled Tennessee Area Calling port with Caller ID - residence (F2R) | UEPAK | NA | NA | NA | NA | NA | NA | NA | NA | BST GSST A4.3.1 |
| 2-wire voice unbundled Tennessee Area Calling port with Caller ID - residence (TACER) | UEPAL | NA | NA | NA | NA | NA | NA | NA | NA | BST GSST A4.3.1 |
| 2-wire voice unbundled Tennessee Area Calling port with Caller ID - residence (TACSR) | UEPAM | NA | NA | NA | NA | NA | NA | NA | NA | BST GSST A4.3.1 |
| 2-wire voice unbundled Tennessee Area Calling port with Caller ID - residence (1MF2X) | UEPAN | NA | NA | NA | NA | NA | NA | NA | NA | BST GSST A4.3.1 |
| 2-wire voice unbundled Tennessee Area Calling port with Caller ID - residence (2MR) | UEPAO | NA | NA | NA | NA | NA | NA | NA | NA | BST GSST A4.3.1 |
| 2-wire voice unbundled Res Low Usage Line Port with Caller+E563 ID (LUM) | UEPAP | \$21.93 | \$38.00 | \$17.16 | \$37.78 | \$16.43 | \$22.98 | \$24.04 | \$24.98 | BST GSST A4.3.1 |
| NRC - Add'l (Residence) | | | | | | | | | | |
| 2-wire voice unbundled port - residence - | UEPRL | \$21.93 | \$15.00 | \$17.16 | \$37.78 | \$16.43 | \$22.98 | \$21.60 | \$24.98 | BST GSST A4.3.1 |
| 2-wire voice unbundled port with caller ID - residence | UEPRC | \$21.93 | \$15.00 | \$17.16 | \$37.78 | \$16.43 | \$22.98 | \$9.08 | \$24.98 | BST GSST A4.3.1 |
| 2-wire voice unbundled port outgoing only - residence | UEPRO | \$21.93 | \$15.00 | \$17.16 | \$37.78 | \$16.43 | \$22.98 | \$9.08 | \$24.98 | BST GSST A4.3.1 |
| 2-wire voice unbundled area plus port with caller ID - residence | UEPRM | \$21.93 | \$15.00 | \$17.16 | \$37.78 | \$16.43 | \$22.98 | \$9.08 | \$24.98 | BST GSST A4.3.1 |
| 2-wire voice unbundled Florida area calling with caller ID - residence | UEPAF | NA | \$15.00 | NA | NA | NA | NA | NA | NA | NA |
| 2-wire voice unbundled Louisiana Area Plus with caller ID - residence (RUL) | UEPAG | NA | NA | NA | NA | \$16.43 | NA | NA | NA | NA |
| 2-wire voice unbundled Louisiana Area Plus with caller ID - residence (AC7) | UEPAH | NA | NA | NA | NA | \$16.43 | NA | NA | NA | NA |
| 2-wire voice unbundled South Carolina Area Calling port with Caller ID - residence (LW8) | UEPAJ | NA | NA | NA | NA | NA | NA | NA | \$24.98 | NA |
| 2-wire voice unbundled Tennessee Area Calling port with Caller ID - residence (F2R) | UEPAK | NA | NA | NA | NA | NA | NA | NA | NA | BST GSST A4.3.1 |
| 2-wire voice unbundled Tennessee Area Calling port with Caller ID - residence (TACER) | UEPAL | NA | NA | NA | NA | NA | NA | NA | NA | BST GSST A4.3.1 |
| 2-wire voice unbundled Tennessee Area Calling port with Caller ID - residence (TACSR) | UEPAM | NA | NA | NA | NA | NA | NA | NA | NA | BST GSST A4.3.1 |
| 2-wire voice unbundled Tennessee Area Calling port with Caller ID - residence (1MF2X) | UEPAN | NA | NA | NA | NA | NA | NA | NA | NA | BST GSST A4.3.1 |
| 2-wire voice unbundled Tennessee Area Calling port with Caller ID - residence (2MR) | UEPAO | NA | NA | NA | NA | NA | NA | NA | NA | BST GSST A4.3.1 |
| 2-wire voice unbundled Res Low Usage Line Port with Caller ID (LUM) | UEPAP | \$21.93 | \$15.00 | \$17.16 | \$37.78 | \$16.43 | \$22.98 | \$9.08 | \$24.98 | BST GSST A4.3.1 |
| NRC - 1st (Business) | | | | | | | | | | |
| 2-wire Voice Unbundled Port without Caller ID | UEPBL | \$21.93 | \$38.00 | \$17.16 | \$37.55 | \$16.43 | \$22.98 | \$21.60 | \$24.98 | BST GSST A4.3.1 |
| 2-wire voice unbundled port with Caller ID | UEPBC | \$21.93 | \$38.00 | \$17.16 | \$37.55 | \$16.43 | \$22.98 | \$24.04 | \$24.98 | BST GSST A4.3.1 |
| 2-wire voice unbundled outgoing only port | UEPBO | \$21.93 | \$38.00 | \$17.16 | \$37.55 | \$16.43 | \$22.98 | \$24.04 | \$24.98 | BST GSST A4.3.1 |
| 2-wire voice unbundled Area Plus Port with Caller ID | UEPBM | \$21.93 | \$38.00 | \$17.16 | \$37.55 | \$16.43 | \$22.98 | \$24.04 | \$24.98 | BST GSST A4.3.1 |
| 2-wire voice unbundled Incoming only Port with Caller ID | UEPB1 | \$21.93 | \$38.00 | \$17.16 | \$37.55 | \$16.43 | \$22.98 | \$24.04 | \$24.98 | BST GSST A4.3.1 |
| 2-wire voice unbundled LA Bus Area Calling Port with Caller ID (BUC) | UEPAA | NA | NA | NA | NA | \$16.43 | NA | NA | NA | NA |
| 2-wire voice unbundled SC Bus Area Calling Port with Caller ID+E587 (LMB) | UEPAB | NA | NA | NA | NA | NA | NA | NA | \$24.98 | NA |

BELLSOUTH/Accutel RATES NETWORK ELEMENTS
AND OTHER SERVICES
PORTS

| DESCRIPTION | USOC | AL | FL | GA | KY | LA | MS | NC | SC | TN |
|--|-------|---------|---------|---------|---------|---------|---------|---------|---------|--------------------|
| 2-wire voice unbundled TN Bus 2-way Area Calling Port Economy Option (TACC1) | UEPAC | NA | NA | NA | NA | NA | NA | NA | NA | BST GSST A4.3.1 |
| 2-wire voice unbundled TN Bus 2-way Area Calling Port Standard Option (TACC2) | UEPAD | NA | NA | NA | NA | NA | NA | NA | NA | BST GSST A4.3.1 |
| 2-wire voice unbundled TN Bus 2-way Collierville and Memphis Local Calling Port (B2F) | UEPAE | NA | NA | NA | NA | NA | NA | NA | NA | BST GSST A4.3.1 |
| | | | | | | | | | | BST GSST A4.3.1 |
| NRC - Add'l (Business) | UEPBL | \$21.93 | \$15.00 | \$17.16 | \$37.55 | \$16.43 | \$22.98 | \$9.08 | \$24.98 | BST GSST A4.3.1 |
| 2-wire voice unbundled port without Caller ID | UEPBL | \$21.93 | \$15.00 | \$17.16 | \$37.55 | \$16.43 | \$22.98 | \$21.60 | \$24.98 | BST GSST A4.3.1 |
| 2-wire voice unbundled port with Caller ID | UEPBC | \$21.93 | \$15.00 | \$17.16 | \$37.55 | \$16.43 | \$22.98 | \$9.08 | \$24.98 | BST GSST A4.3.1 |
| 2-wire voice unbundled outgoing only port | UEPBO | \$21.93 | \$15.00 | \$17.16 | \$37.55 | \$16.43 | \$22.98 | \$9.08 | \$24.98 | BST GSST A4.3.1 |
| 2-wire voice unbundled Area Plus Port with Caller ID | UEPBM | \$21.93 | \$15.00 | \$17.16 | \$37.55 | \$16.43 | \$22.98 | \$9.08 | \$24.98 | BST GSST A4.3.1 |
| 2-wire voice unbundled incoming only port with Caller ID | UEPB1 | \$21.93 | \$15.00 | \$17.16 | \$37.55 | \$16.43 | \$22.98 | \$9.08 | \$24.98 | BST GSST A4.3.1 |
| 2-wire voice unbundled LA Bus Area Calling Port with Caller ID (BUC) | UEPAA | NA | NA | NA | NA | \$16.43 | NA | NA | NA | NA |
| 2-wire voice unbundled SC Bus Area Calling Port with Caller ID (LMB) | UEPAB | NA | NA | NA | NA | NA | NA | NA | \$24.98 | NA |
| 2-wire voice unbundled TN Bus 2-way Area Calling Port Economy Option (TACC1) | UEPAC | NA | NA | NA | NA | NA | NA | NA | NA | BST GSST A4.3.1 |
| 2-wire voice unbundled TN Bus 2-way Area Calling Port Standard Option (TACC2) | UEPAD | NA | NA | NA | NA | NA | NA | NA | NA | BST GSST A4.3.1 |
| 2-wire voice unbundled TN Bus 2-way Collierville and Memphis Local Calling Port (B2F) | UEPAE | NA | NA | NA | NA | NA | NA | NA | NA | BST GSST A4.3.1 |
| | | | | | | | | | | |
| NRC - Disconnect Charge - 1st | | | | | | | | | | |
| 2-wire voice unbundled port - residence | | \$6.21 | NA | NA | NA | \$4.38 | \$6.56 | NA | NA | NA |
| 2-wire voice unbundled port with caller ID - residence | | \$6.21 | NA | NA | NA | \$4.38 | \$6.56 | NA | NA | NA |
| 2-wire voice unbundled port outgoing only - residence | | \$6.21 | NA | NA | NA | \$4.38 | \$6.56 | NA | NA | NA |
| 2-wire voice unbundled area plus port with caller ID - residence | | \$6.21 | NA | NA | NA | \$4.38 | \$6.56 | NA | NA | NA |
| 2-wire voice unbundled Florida area calling with caller ID - residence | | NA | NA | NA | NA | NA | NA | NA | NA | NA |
| 2-wire voice unbundled Louisiana Area Plus with caller ID - residence (RUL) | | NA | NA | NA | NA | \$4.38 | NA | NA | NA | NA |
| 2-wire voice unbundled Louisiana Area Plus with caller ID - residence (AC7) | | NA | NA | NA | NA | \$4.38 | NA | NA | NA | NA |
| 2-wire voice unbundled South Carolina Area Calling port with Caller ID - residence (LW8) | | NA | NA | NA | NA | NA | NA | NA | NA | NA |
| 2-wire voice unbundled Tennessee Area Calling port with Caller ID - residence (F2R) | | NA | NA | NA | NA | NA | NA | NA | NA | NA |
| 2-wire voice unbundled Tennessee Area Calling port with Caller ID - residence (TACER) | | NA | NA | NA | NA | NA | NA | NA | NA | NA |
| 2-wire voice unbundled Tennessee Area Calling port with Caller ID - residence (TACSR) | | NA | NA | NA | NA | NA | NA | NA | NA | NA |
| 2-wire voice unbundled Tennessee Area Calling port with Caller ID - residence (1MF2X) | | NA | NA | NA | NA | NA | NA | NA | NA | NA |
| 2-wire voice unbundled Tennessee Area Calling port with Caller ID - residence (2MR) | | NA | NA | NA | NA | NA | NA | NA | NA | NA |
| 2-wire voice unbundled Res Low Usage Line Port with Caller ID (LUM) | | \$6.21 | NA | NA | NA | \$4.38 | \$6.56 | NA | NA | NA |
| | | | | | | | | | | |
| 2-wire voice unbundled port without Caller ID | | \$6.21 | NA | NA | NA | \$4.38 | \$6.56 | NA | NA | NA |
| 2-wire voice unbundled port with Caller ID | | \$6.21 | NA | NA | NA | \$4.38 | \$6.56 | NA | NA | NA |
| 2-wire voice unbundled outgoing only Port | | \$6.21 | NA | NA | NA | \$4.38 | \$6.56 | NA | NA | NA |

BELLSOUTH/Accutel RATES NETWORK ELEMENTS
AND OTHER SERVICES
PORTS

| DESCRIPTION | USOC | AL | FL | GA | KY | LA | MS | NC | SC | TN |
|--|-------|---------|----|---------|----|---------|---------|---------|---------|----|
| 2-wire voice unbundled Area Plus Port with Caller ID | | \$6.21 | NA | NA | NA | \$4.38 | \$6.56 | NA | NA | NA |
| 2-wire voice unbundled Incoming only Port with Caller ID | | \$6.21 | NA | NA | NA | \$4.38 | \$6.56 | NA | NA | NA |
| 2-wire voice unbundled LA Bus Area Calling Port with Caller ID (BUC) | | NA | NA | NA | NA | \$4.38 | NA | NA | NA | NA |
| 2-wire voice unbundled SC Bus Area Calling Port with Caller ID (LMB) | | NA | NA | NA | NA | NA | NA | NA | NA | NA |
| 2-wire voice unbundled TN Bus 2-way Area Calling Port Economy Option (TACC1) | | NA | NA | NA | NA | NA | NA | NA | NA | NA |
| 2-wire voice unbundled TN Bus 2-way Area Calling Port Standard Option (TACC2) | | NA | NA | NA | NA | NA | NA | NA | NA | NA |
| 2-wire voice unbundled TN Bus 2-Way Collierville and Memphis Local Calling Port (B2F) | | NA | NA | NA | NA | NA | NA | NA | NA | NA |
| NRC - Disconnect Charge - Add'l | | | | | | | | | | |
| 2-wire voice unbundled port - residence | | \$6.21 | NA | NA | NA | \$4.38 | \$6.56 | NA | NA | NA |
| 2-wire voice unbundled port with caller ID - residence | | \$6.21 | NA | NA | NA | \$4.38 | \$6.56 | NA | NA | NA |
| 2-wire voice unbundled port outgoing only - residence | | \$6.21 | NA | NA | NA | \$4.38 | \$6.56 | NA | NA | NA |
| 2-wire voice unbundled area plus port with caller ID - residence | | \$6.21 | NA | NA | NA | \$4.38 | \$6.56 | NA | NA | NA |
| 2-wire voice unbundled Florida area calling with caller ID - residence | | NA | NA | NA | NA | NA | NA | NA | NA | NA |
| 2-wire voice unbundled Louisiana Area Plus with caller ID - residence (RUL) | | NA | NA | NA | NA | \$4.38 | NA | NA | NA | NA |
| 2-wire voice unbundled Louisiana Area Plus with caller ID - residence (AC7) | | NA | NA | NA | NA | \$4.38 | NA | NA | NA | NA |
| 2-wire voice unbundled South Carolina Area Calling port with Caller ID - residence (LW8) | | NA | NA | NA | NA | NA | NA | NA | NA | NA |
| 2-wire voice unbundled Tennessee Area Calling port with Caller ID - residence (F2R) | | NA | NA | NA | NA | NA | NA | NA | NA | NA |
| 2-wire voice unbundled Tennessee Area Calling port with Caller ID - residence (TACER) | | NA | NA | NA | NA | NA | NA | NA | NA | NA |
| 2-wire voice unbundled Tennessee Area Calling port with Caller ID - residence (TACSR) | | NA | NA | NA | NA | NA | NA | NA | NA | NA |
| 2-wire voice unbundled Tennessee Area Calling port with Caller ID - residence (1MF2X) | | NA | NA | NA | NA | NA | NA | NA | NA | NA |
| 2-wire voice unbundled Tennessee Area Calling port with Caller ID - residence (2MR) | | NA | NA | NA | NA | \$4.38 | \$6.56 | NA | NA | NA |
| 2-wire voice unbundled Res Low Usage Line Port with Caller ID (LUM) | | \$6.21 | NA | NA | NA | \$4.38 | \$6.56 | NA | NA | NA |
| 2-wire voice unbundled port without Caller ID | | \$6.21 | NA | NA | NA | \$4.38 | \$6.56 | NA | NA | NA |
| 2-wire voice unbundled port with Caller ID | | \$6.21 | NA | NA | NA | \$4.38 | \$6.56 | NA | NA | NA |
| 2-wire voice unbundled outgoing only port | | \$6.21 | NA | NA | NA | \$4.38 | \$6.56 | NA | NA | NA |
| 2-wire voice unbundled Area Plus Port with Caller ID | | \$6.21 | NA | NA | NA | \$4.38 | \$6.56 | NA | NA | NA |
| 2-wire voice unbundled incoming only port with Caller ID | | \$6.21 | NA | NA | NA | \$4.38 | \$6.56 | NA | NA | NA |
| 2-wire voice unbundled LA Bus Area Calling Port with Caller ID (BUC) | | NA | NA | NA | NA | \$4.38 | NA | NA | NA | NA |
| 2-wire voice unbundled SC Bus Area Calling Port with Caller ID (LMB) | | NA | NA | NA | NA | NA | NA | NA | NA | NA |
| 2-wire voice unbundled TN Bus 2-way Area Calling Port Economy Option (TACC1) | | NA | NA | NA | NA | NA | NA | NA | NA | NA |
| 2-wire voice unbundled TN Bus 2-way Area Calling Port Standard Option (TACC2) | | NA | NA | NA | NA | NA | NA | NA | NA | NA |
| 2-wire voice unbundled TN Bus 2-way Collierville and Memphis Local Calling Port (B2F) | | NA | NA | NA | NA | NA | NA | NA | NA | NA |
| NRC - Incremental Charge - Manual Service Order - 1st | SOMAN | \$27.37 | NA | \$18.94 | NA | \$18.14 | \$25.52 | \$26.94 | \$44.42 | NA |
| NRC - Incremental Charge - Manual Service Order - Add'l | SOMAN | \$12.97 | NA | \$8.42 | NA | \$8.06 | \$11.34 | \$12.76 | \$14.63 | NA |
| NRC - Incremental Charge - Manual Service Order - Disconnect - 1st | SOMAN | \$17.77 | NA | NA | NA | \$10.39 | \$16.06 | NA | NA | NA |
| NRC - Incremental Charge - Manual Service Order - Disconnect - Add'l | SOMAN | \$1.44 | NA | NA | NA | NA | NA | NA | NA | NA |
| All available features, per month | UEPVF | \$5.55 | NA | NA | NA | \$8.28 | \$6.75 | NA | \$6.29 | NA |
| NRC - 1st (all types) | | \$24.72 | NA | NA | NA | NA | \$21.42 | NA | \$36.24 | NA |

BELLSOUTH/Accutel RATES NETWORK ELEMENTS
AND OTHER SERVICES
PORTS

| DESCRIPTION | USOC | AL | FL | GA | KY | LA | MS | NC | SC | TN |
|--|-------|----------|----------|----------|---------|----------|----------|----------|----------|---------------------|
| NRC - Add'l (all types) | | \$24.72 | NA | NA | NA | NA | \$21.42 | NA | \$36.24 | NA |
| NRC - Disconnect Charge - 1st | | \$18.41 | NA | NA | NA | NA | \$19.68 | NA | NA | NA |
| NRC - Disconnect Charge - Add'l | | \$18.41 | NA | NA | NA | NA | \$19.68 | NA | NA | NA |
| NRC - Incremental Charge - Manual Service Order - 1st | SOMAN | \$27.37 | NA | NA | NA | NA | \$25.52 | NA | \$44.42 | NA |
| NRC - Incremental Charge - Manual Service Order - Add'l | SOMAN | \$12.97 | NA | NA | NA | NA | \$11.34 | NA | \$14.63 | NA |
| NRC - Incremental Charge - Manual Service Order - Disconnect - 1st | SOMAN | \$17.77 | NA | NA | NA | NA | \$16.06 | NA | NA | NA |
| NRC - Incremental Charge - Manual Service Order - Disconnect - Add'l | SOMAN | \$1.44 | NA | NA | NA | NA | NA | NA | NA | NA |
| Three available feature, per month | UEPVF | NA | NA | NA | NA | \$8.28 | \$3.31 | NA | \$3.03 | NA |
| NRC - 1st (all types) | | NA | NA | NA | NA | NA | \$3.06 | NA | \$4.53 | NA |
| NRC - Add'l (all types) | | NA | NA | NA | NA | NA | \$3.06 | NA | \$4.53 | NA |
| NRC - Disconnect Charge - 1st | | NA | NA | NA | NA | NA | \$8.20 | NA | NA | NA |
| NRC - Disconnect Charge - Add'l | | NA | NA | NA | NA | NA | \$8.20 | NA | NA | NA |
| NRC - Incremental Charge - Manual Service Order - 1st | SOMAN | NA | NA | NA | NA | NA | \$25.52 | NA | \$44.42 | NA |
| NRC - Incremental Charge - Manual Service Order - Add'l | SOMAN | NA | NA | NA | NA | NA | \$11.34 | NA | \$14.63 | NA |
| NRC - Incremental Charge - Manual Service Order - Disconnect - 1st | SOMAN | NA | NA | NA | NA | NA | \$16.06 | NA | NA | NA |
| NRC - Incremental Charge - Manual Service Order - Disconnect - Add'l | SOMAN | NA | NA | NA | NA | NA | NA | NA | NA | NA |
| 4-Wire Analog VG Port, per month | UEP4A | NA | \$9.14 | \$8.47 | NA | \$10.13 | \$9.60 | \$8.69 | \$2.28 | NA |
| NRC - 1st | UEP4A | NA | \$5.86 | \$17.16 | NA | \$16.43 | \$22.98 | \$21.69 | \$3.50 | NA |
| NRC - Add'l | UEP4A | NA | \$5.86 | \$17.16 | NA | \$16.43 | \$22.98 | \$21.69 | \$3.50 | NA |
| NRC - Disconnect Charge - 1st | BFR | NA | NA | NA | NA | \$3.77 | \$6.56 | NA | NA | NA |
| NRC - Disconnect Charge - Add'l | BFR | NA | NA | NA | NA | \$3.77 | \$6.56 | NA | NA | NA |
| NRC - Incremental Charge - Manual Service Order - 1st | SOMAN | NA | NA | \$18.94 | NA | \$18.14 | \$25.52 | \$26.85 | NA | NA |
| NRC - Incremental Charge - Manual Service Order - Add'l | SOMAN | NA | NA | \$8.42 | NA | \$8.06 | \$11.34 | \$12.67 | NA | NA |
| NRC - Incremental Charge - Manual Service Order - Disconnect - 1st | SOMAN | NA | NA | NA | NA | \$8.94 | \$16.06 | NA | NA | NA |
| 2-Wire DID Port, per month | UEPP2 | \$12.08 | TBD | \$11.35 | NA | \$13.12 | \$14.63 | \$12.36 | \$12.08 | \$12.68 |
| NRC - 1st | UEPP2 | \$50.00 | TBD | \$61.91 | NA | \$59.28 | \$83.09 | \$81.84 | \$50.00 | BST GSST A4.3.1 |
| NRC - Add'l | UEPP2 | \$18.00 | TBD | \$61.91 | NA | \$59.28 | \$83.09 | \$81.84 | \$50.00 | BST GSST A4.3.1 |
| NRC - Disconnect Charge - 1st | UEPP2 | NA | NA | NA | NA | \$9.20 | \$13.48 | NA | NA | NA |
| NRC - Disconnect Charge - Add'l | UEPP2 | NA | NA | NA | NA | \$9.20 | \$13.48 | NA | NA | NA |
| NRC - Incremental Charge - Manual Service Order - 1st | SOMAN | NA | NA | \$18.94 | NA | \$18.14 | \$25.52 | \$26.94 | NA | NA |
| NRC - Incremental Charge - Manual Service Order - Add'l | SOMAN | NA | NA | \$8.42 | NA | \$8.06 | \$11.34 | \$12.76 | NA | NA |
| NRC - Incremental Charge - Manual Service Order - Disconnect - 1st | SOMAN | NA | NA | NA | NA | \$10.39 | \$16.07 | NA | NA | NA |
| 4-Wire DS1 Port w/DID capability, per month | UEPDD | \$130.23 | \$125.00 | \$120.80 | NA | \$149.27 | \$146.46 | \$123.65 | \$130.23 | \$120.00 |
| NRC - 1st | UEPDD | \$50.00 | \$112.00 | \$89.44 | NA | \$85.63 | \$117.81 | \$116.59 | \$60.00 | To be negotiated |
| NRC - Add'l | UEPDD | \$18.00 | \$91.00 | \$52.46 | NA | \$50.23 | \$71.18 | \$69.92 | \$60.00 | To be negotiated |
| NRC - Disconnect Charge - 1st | UEPDD | NA | NA | NA | NA | \$8.82 | \$12.94 | NA | NA | NA |
| NRC - Disconnect Charge - Add'l | UEPDD | NA | NA | NA | NA | \$8.82 | \$12.94 | NA | NA | NA |
| NRC - Incremental Charge - Manual Service Order - 1st | SOMAN | NA | NA | \$18.94 | NA | \$18.14 | \$25.52 | \$26.94 | NA | NA |
| NRC - Incremental Charge - Manual Service Order - Add'l | SOMAN | NA | NA | \$8.42 | NA | \$8.06 | \$11.34 | \$12.76 | NA | NA |
| NRC - Incremental Charge - Manual Service Order - Disconnect - 1st | SOMAN | NA | NA | NA | NA | \$10.39 | \$16.06 | NA | NA | NA |
| 2-Wire ISDN Port(2) (3), per month | U1PMA | \$16.42 | \$13.00 | \$13.47 | \$12.33 | \$23.33 | \$51.91 | \$24.50 | \$33.74 | \$1.90 |
| NRC - 1st | U1PMA | \$63.24 | \$88.00 | \$47.37 | \$90.48 | \$45.35 | \$63.59 | \$62.29 | \$65.79 | BST GSST A4.3.1 |
| NRC - Add'l | U1PMA | \$63.24 | \$66.00 | \$47.37 | \$84.53 | \$45.35 | \$63.59 | \$62.29 | \$65.79 | BST GSST A4.3.1 |
| NRC - Disconnect Charge - 1st | U1PMA | \$5.69 | NA | NA | NA | \$4.31 | \$7.04 | NA | NA | NA |
| NRC - Disconnect Charge - Add'l | U1PMA | \$5.69 | NA | NA | NA | \$4.31 | \$7.04 | NA | NA | NA |
| NRC - Incremental Charge - Manual Service Order - 1st | SOMAN | \$56.19 | NA | \$39.98 | NA | \$38.29 | \$53.87 | \$55.30 | \$67.52 | NA |
| NRC - Incremental Charge - Manual Service Order - Add'l | SOMAN | \$56.19 | NA | \$39.98 | NA | \$38.29 | \$53.87 | \$55.30 | \$67.52 | NA |

BELLSOUTH/Accutel RATES NETWORK ELEMENTS
AND OTHER SERVICES
PORTS

| DESCRIPTION | USOC | AL | FL | GA | KY | LA | MS | NC | SC | TN |
|--|-------|----------|--------|----------|----------|----------|----------|----------|----------|------------------|
| NRC - Incremental Charge - Manual Service Order - Disconnect - 1st | SOMAN | \$12.97 | NA | NA | NA | \$6.65 | \$11.34 | NA | NA | NA |
| NRC - Incremental Charge - Manual Service Order - Disconnect - Add'l | SOMAN | \$12.97 | NA | NA | NA | \$6.65 | \$11.34 | NA | NA | NA |
| NRC - User Profile per B Channel (4) | U1UMA | NA | NA | NA | \$5.61 | NA | NA | NA | NA | NA |
| 2-Wire ISDN Port(2) (3) including all available features, per month | U1PMA | NA | NA | NA | NA | NA | NA | NA | \$38.68 | NA |
| NRC - 1st | U1PMA | NA | NA | NA | NA | NA | NA | NA | \$106.40 | NA |
| NRC - Add'l | U1PMA | NA | NA | NA | NA | NA | NA | NA | \$106.40 | NA |
| NRC - Incremental Charge - Manual Service Order - 1st | SOMAN | NA | NA | NA | NA | NA | NA | NA | \$67.52 | NA |
| NRC - Incremental Charge - Manual Service Order - Add'l | SOMAN | NA | NA | NA | NA | NA | NA | NA | \$67.52 | NA |
| 2-Wire ISDN Port(2) (3) including three available features, per month | U1PMA | NA | NA | NA | NA | NA | NA | NA | \$36.01 | NA |
| NRC - 1st | U1PMA | NA | NA | NA | NA | NA | NA | NA | \$70.32 | NA |
| NRC - Add'l | U1PMA | NA | NA | NA | NA | NA | NA | NA | \$70.32 | NA |
| NRC - Incremental Charge - Manual Service Order - 1st | SOMAN | NA | NA | NA | NA | NA | NA | NA | \$67.52 | NA |
| NRC - Incremental Charge - Manual Service Order - Add'l | SOMAN | NA | NA | NA | NA | NA | NA | NA | \$67.52 | NA |
| 4-Wire ISDN DS1 Port, per month | UEPEX | \$186.02 | NA | \$163.16 | NA | \$194.72 | \$213.21 | \$179.75 | \$214.79 | \$308.00 |
| NRC - 1st | UEPEX | \$244.85 | NA | \$186.80 | NA | \$181.89 | \$244.12 | \$241.63 | \$278.37 | To be negotiated |
| NRC - Add'l | UEPEX | \$244.85 | NA | \$186.80 | NA | \$181.89 | \$244.12 | \$241.63 | \$278.37 | To be negotiated |
| NRC - Disconnect Charge - 1st | UEPEX | \$51.19 | NA | NA | NA | \$27.11 | \$53.32 | NA | NA | NA |
| NRC - Disconnect Charge - Add'l | UEPEX | \$51.19 | NA | NA | NA | \$27.11 | \$53.32 | NA | NA | NA |
| NRC - Incremental Charge - Manual Service Order - 1st | SOMAN | \$54.75 | NA | \$37.88 | NA | \$33.18 | \$51.03 | \$53.89 | \$65.48 | NA |
| NRC - Incremental Charge - Manual Service Order - Add'l | SOMAN | \$54.75 | NA | \$37.88 | NA | \$33.18 | \$51.03 | \$53.89 | \$65.48 | NA |
| NRC - Incremental Charge - Manual Service Order - Disconnect - 1st | SOMAN | \$11.53 | NA | NA | NA | \$7.73 | \$8.51 | NA | NA | NA |
| NRC - Incremental Charge - Manual Service Order - Disconnect - Add'l | SOMAN | \$11.53 | NA | NA | NA | \$7.73 | \$8.51 | NA | NA | NA |
| 4-Wire ISDN DS1 Port including all available features, per month | UEPEX | NA | NA | NA | \$275.48 | NA | NA | NA | \$251.00 | NA |
| NRC - 1st | UEPEX | NA | NA | NA | \$181.27 | NA | NA | NA | \$311.73 | NA |
| NRC - Add'l | UEPEX | NA | NA | NA | \$116.42 | NA | NA | NA | \$311.73 | NA |
| NRC - Incremental Charge - Manual Service Order - 1st | SOMAN | NA | NA | NA | NA | NA | NA | NA | \$65.48 | NA |
| NRC - Incremental Charge - Manual Service Order - Add'l | SOMAN | NA | NA | NA | NA | NA | NA | NA | \$65.48 | NA |
| 2-Wire Analog Line Port (PBX), per month | | | | | | | | | | |
| 2 WIRE VOICE UNBUNDLED COMBINATION 2-WAY PBX TRUNK - Residence | UEPRD | \$2.07 | \$2.00 | \$1.85 | \$2.61 | \$2.20 | \$2.11 | \$2.18 | \$2.35 | \$1.90 |
| LINE SIDE UNBUNDLED COMBINATION 2-WAY PBX TRUNK - BUSINESS | UEPPC | \$2.07 | \$2.00 | \$1.85 | \$2.61 | \$2.20 | \$2.11 | \$2.00 | \$2.35 | \$1.90 |
| LINE SIDE UNBUNDLED OUTWARD PBX TRUNK - BUSINESS | UEPPO | \$2.07 | \$2.00 | \$1.85 | \$2.61 | \$2.20 | \$2.11 | \$2.00 | \$2.35 | \$1.90 |
| LINE SIDE UNBUNDLED INCOMING PBX TRUNK - BUSINESS | UEPP1 | \$2.07 | \$2.00 | \$1.85 | \$2.61 | \$2.20 | \$2.11 | \$2.00 | \$2.35 | \$1.90 |
| LONG DISTANCE TERMINAL PBX TRUNK-BUSINESS | UEPLD | \$2.07 | \$2.00 | \$1.85 | \$2.61 | \$2.20 | \$2.11 | \$2.00 | \$2.35 | \$1.90 |
| TN 2-WAY CALLING PLAN PBX TRUNK - BUSINESS | UEPT2 | \$2.07 | \$2.00 | \$1.85 | \$2.61 | \$2.20 | \$2.11 | \$2.00 | \$2.35 | \$1.90 |
| TN OUTWARD CALLING PLAN PBX TRUNK - BUSINESS | UEPTO | \$2.07 | \$2.00 | \$1.85 | \$2.61 | \$2.20 | \$2.11 | \$2.00 | \$2.35 | \$1.90 |
| 2-WIRE VOICE UNBUNDLED 2-WAY COMBINATION PBX ALABAMA CALLING PORT | UEPA2 | \$2.07 | NA | NA | NA | NA | NA | NA | NA | NA |
| 2-WIRE VOICE UNBUNDLED 2-WAY COMBINATION PBX LOUISIANA CALLING PORT | UEPL2 | NA | NA | NA | NA | \$2.20 | NA | NA | NA | NA |
| 2-WIRE VOICE UNBUNDLED PBX LD TERMINAL PORTS | UEPLD | \$2.07 | \$2.00 | \$1.85 | \$2.61 | \$2.20 | \$2.11 | \$2.00 | \$2.35 | \$1.90 |
| 2-WIRE VOICE UNBUNDLED 2-WAY COMBINATION PBX TENNESSEE CALLING PORT | UEPT2 | NA | NA | NA | NA | NA | NA | NA | NA | \$1.90 |
| 2-WIRE VOICE UNBUNDLED 1-WAY OUTGOING PBX TENNESSEE CALLING PORT | UEPTO | NA | NA | NA | NA | NA | NA | NA | NA | \$1.90 |
| 2-WIRE VOICE UNBUNDLED 2-WAY COMBINATION PBX USAGE PORT | UEPXA | \$2.07 | \$2.00 | \$1.85 | \$2.61 | \$2.20 | \$2.11 | \$2.00 | \$2.35 | \$1.90 |
| 2-WIRE VOICE UNBUNDLED PBX TOLL TERMINAL HOTEL PORTS | UEPXB | \$2.07 | \$2.00 | \$1.85 | \$2.61 | \$2.20 | \$2.11 | \$2.00 | \$2.35 | \$1.90 |
| 2-WIRE VOICE UNBUNDLED PBX LD DDD TERMINALS PORT | UEPXC | \$2.07 | \$2.00 | \$1.85 | \$2.61 | \$2.20 | \$2.11 | \$2.00 | \$2.35 | \$1.90 |
| 2-WIRE VOICE UNBUNDLED PBX LD TERMINAL SWITCHBOARD PORT | UEPXD | \$2.07 | \$2.00 | \$1.85 | \$2.61 | \$2.20 | \$2.11 | \$2.00 | \$2.35 | \$1.90 |
| 2-WIRE VOICE UNBUNDLED PBX LD TERMINAL SWITCHBOARD IDD CAPABLE PORT | UEPXE | \$2.07 | \$2.00 | \$1.85 | \$2.61 | \$2.20 | \$2.11 | \$2.00 | \$2.35 | \$1.90 |
| 2-WIRE VOICE UNBUNDLED 2-WAY PBX KENTUCKY ROOM AREA CALLING PORT WITHOUT LUD | UEPXF | NA | NA | NA | \$2.61 | NA | NA | NA | NA | NA |

BELLSOUTH/Accutel RATES NETWORK ELEMENTS
AND OTHER SERVICES
PORTS

| DESCRIPTION | USOC | AL | FL | GA | KY | LA | MS | NC | SC | TN |
|--|-------|---------|---------|---------|---------|---------|---------|---------|---------|--------|
| 2-WIRE VOICE UNBUNDLED PBX KENTUCKY LUD AREA CALLING PORT | UEPXG | NA | NA | NA | \$2.61 | NA | NA | NA | NA | NA |
| 2-WIRE VOICE UNBUNDLED PBX KENTUCKY PREMIUM CALLING PORT | UEPXH | NA | NA | NA | \$2.61 | NA | NA | NA | NA | NA |
| 2-WIRE VOICE UNBUNDLED 2-WAY KENTUCKY AREA CALLING PORT WITHOUT LUD | UEPXJ | NA | NA | NA | \$2.61 | NA | NA | NA | NA | NA |
| 2-WIRE VOICE UNBUNDLED 2-WAY PBX LOUISIANA LOCAL OPTIONAL CALLING PORT | UEPKK | NA | NA | NA | NA | \$2.20 | NA | NA | NA | NA |
| 2-WIRE VOICE UNBUNDLED 2-WAY PBX HOTEL/HOSPITAL ECONOMY ADMINISTRATIVE CALLING PORT | UEPXL | \$2.07 | \$2.00 | \$1.85 | \$2.61 | \$2.20 | \$2.11 | \$2.00 | \$2.35 | \$1.90 |
| 2-WIRE VOICE UNBUNDLED 2-WAY PBX HOTEL/HOSPITAL ECONOMY ROOM CALLING PORT | URPXM | \$2.07 | \$2.00 | \$1.85 | \$2.61 | \$2.20 | \$2.11 | \$2.00 | \$2.35 | \$1.90 |
| 2-WIRE VOICE UNBUNDLED 1-WAY OUTGOING PBX HOTEL/HOSPITAL ECONOMY ADMINIATRATIVE CALLING PORTTENNESSEE CALLING PORT | UEPXN | NA | NA | NA | NA | NA | NA | NA | NA | \$1.90 |
| 2-WIRE VOICE UNBUNDLED 1-WAY OUTGOING PBX HOTEL/HOSPITAL DIACOUNT ROOM CALLING PORT | UEPXO | \$2.07 | \$2.00 | \$1.85 | \$2.61 | \$2.20 | \$2.11 | \$2.00 | \$2.35 | \$1.90 |
| 2-WIRE VOICE UNBUNDLED 1-WAY OUTGOING PBX LOUISIANA LOCAL DISCOUNT CALLING PORT | UEPXP | NA | NA | NA | NA | \$2.20 | NA | NA | NA | NA |
| 2-WIRE VOICE UNBUNDLED 2-WAY PBX MISSISSIPPI LOCAL ECONOMY CALLING PORT | UEPXQ | NA | NA | NA | NA | NA | \$2.11 | NA | NA | NA |
| 2-WIRE VOICE UNBUNDLED 2-WAY PBX MISSISSIPPI LOCAL OPTIONAL CALLING PORT | UEPXR | NA | NA | NA | NA | NA | \$2.11 | NA | NA | NA |
| 2-WIRE VOICE UNBUNDLED 1-WAY OUTGOING PBXMEASURED PORT | UEPXS | \$2.07 | \$2.00 | \$1.85 | \$2.61 | \$2.20 | \$2.11 | \$2.00 | \$2.35 | \$1.90 |
| 2-WIRE VOICE UNBUNDLED 2-WAY PBX SOUTH CAROLINA AREA PLUS CALLING PORT | UEPXT | NA | NA | NA | NA | NA | NA | NA | \$2.35 | NA |
| 2-WIRE VOICE UNBUNDLED PBX COLLIERVERVILLE & MEMPHIS CALLING PORT | UEPXU | NA | NA | NA | NA | NA | NA | NA | NA | \$1.90 |
| 2-WIRE VOICE UNBUNDLED 2-WAY PBX TENNESSEE REGIONSERV CALLING PORT | UEPXV | NA | NA | NA | NA | NA | NA | NA | NA | \$1.90 |
| UNBUNDLED LOOP BILLING USOC (REQUIRES ONE PER PORT) | UEPLX | | | | | | | | | |
| LOCAL NUMBER PORTABILITY (REQUIRES ONE PER PORT) | LNPCP | | | | | | | | | |
| NRC - 1st | UEPPC | \$21.93 | \$38.00 | \$17.16 | \$36.47 | \$16.43 | \$22.98 | \$24.04 | \$24.36 | NA |
| 2 WIRE VOICE UNBUNDLED COMBINATION 2-WAY PBX TRUNK - Residence | UEPRD | \$21.93 | \$38.00 | \$17.16 | \$36.47 | \$16.43 | \$22.98 | \$21.60 | \$24.36 | NA |
| LINE SIDE UNBUNDLED COMBINATION 2-WAY PBX TRUNK - BUSINESS | UEPPC | \$21.93 | \$38.00 | \$17.16 | \$36.47 | \$16.43 | \$22.98 | \$24.04 | \$24.36 | NA |
| LINE SIDE UNBUNDLED OUTWARD PBX TRUNK - BUSINESS | UEPPO | \$21.93 | \$38.00 | \$17.16 | \$36.47 | \$16.43 | \$22.98 | \$24.04 | \$24.36 | NA |
| LINE SIDE UNBUNDLED INCOMING PBX TRUNK - BUSINESS | UEPP1 | \$21.93 | \$38.00 | \$17.16 | \$36.47 | \$16.43 | \$22.98 | \$24.04 | \$24.36 | NA |
| LONG DISTANCE TERMINAL PBX TRUNK-BUSINESS | UEPLD | \$21.93 | \$38.00 | \$17.16 | \$36.47 | \$16.43 | \$22.98 | \$24.04 | \$24.36 | NA |
| TN 2-WAY CALLING PLAN PBX TRUNK - BUSINESS | UEPT2 | \$21.93 | \$38.00 | \$17.16 | \$36.47 | \$16.43 | \$22.98 | \$24.04 | \$24.36 | NA |
| TN OUTWARD CALLING PLAN PBX TRUNK - BUSINESS | UEPTO | \$21.93 | \$38.00 | \$17.16 | \$36.47 | \$16.43 | \$22.98 | \$24.04 | \$24.36 | NA |
| 2-WIRE VOICE UNBUNDLED 2-WAY COMBINATION PBX ALABAMA CALLING PORT | UEPA2 | \$21.93 | NA | NA | NA | NA | NA | NA | NA | NA |
| 2-WIRE VOICE UNBUNDLED 2-WAY COMBINATION PBX LOUISIANA CALLING PORT | UEPL2 | NA | NA | NA | NA | \$16.43 | NA | NA | NA | NA |
| 2-WIRE VOICE UNBUNDLED PBX LD TERMINAL PORTS | UEPLD | \$21.93 | \$38.00 | \$17.16 | \$36.47 | \$16.43 | \$22.98 | \$24.04 | \$24.36 | NA |
| 2-WIRE VOICE UNBUNDLED 2-WAY COMBINATION PBX TENNESSEE CALLING PORT | UEPT2 | NA | NA | NA | NA | NA | NA | NA | NA | NA |
| 2-WIRE VOICE UNBUNDLED 1-WAY OUTGOING PBX TENNESSEE CALLING PORT | UEPTO | NA | NA | NA | NA | NA | NA | NA | NA | NA |
| 2-WIRE VOICE UNBUNDLED 2-WAY COMBINATION PBX USAGE PORT | UEPXA | \$21.93 | \$38.00 | \$17.16 | \$36.47 | \$16.43 | \$22.98 | \$24.04 | \$24.36 | NA |
| 2-WIRE VOICE UNBUNDLED PBX TOLL TERMINAL HOTEL PORTS | UEPXB | \$21.93 | \$38.00 | \$17.16 | \$36.47 | \$16.43 | \$22.98 | \$24.04 | \$24.36 | NA |
| 2-WIRE VOICE UNBUNDLED PBX LD DDD TERMINALS PORT | UEPXC | \$21.93 | \$38.00 | \$17.16 | \$36.47 | \$16.43 | \$22.98 | \$24.04 | \$24.36 | NA |
| 2-WIRE VOICE UNBUNDLED PBX LD TERMINAL SWITCHBOARD PORT | UEPXD | \$21.93 | \$38.00 | \$17.16 | \$36.47 | \$16.43 | \$22.98 | \$24.04 | \$24.36 | NA |

BELLSOUTH/Accutel RATES NETWORK ELEMENTS
AND OTHER SERVICES
PORTS

| DESCRIPTION | USOC | AL | FL | GA | KY | LA | MS | NC | SC | TN |
|---|-------|---------|---------|---------|---------|---------|---------|---------|---------|----|
| 2-WIRE VOICE UNBUNDLED PBX LD TERMINAL SWITCHBOARD IDD CAPABLE PORT | UEPXE | \$21.93 | \$38.00 | \$17.16 | \$36.47 | \$16.43 | \$22.98 | \$24.04 | \$24.36 | NA |
| 2-WIRE VOICE UNBUNDLED 2-WAY PBX KENTUCKY ROOM AREA CALLING PORT WITHOUT LUD | UEPXF | NA | NA | NA | \$36.47 | NA | NA | NA | NA | NA |
| 2-WIRE VOICE UNBUNDLED PBX KENTUCKY LUD AREA CALLING PORT | UEPXG | NA | NA | NA | \$36.47 | NA | NA | NA | NA | NA |
| 2-WIRE VOICE UNBUNDLED PBX KENTUCKY PREMIUM CALLING PORT | UEPXH | NA | NA | NA | \$36.47 | NA | NA | NA | NA | NA |
| 2-WIRE VOICE UNBUNDLED 2-WAY KENTUCKY AREA CALLING PORT WITHOUT LUD | UEPXJ | NA | NA | NA | \$36.47 | NA | NA | NA | NA | NA |
| 2-WIRE VOICE UNBUNDLED 2-WAY PBX LOUISIANA LOCAL OPTIONAL CALLING PORT | UEPXK | NA | NA | NA | NA | \$16.43 | NA | NA | NA | NA |
| 2-WIRE VOICE UNBUNDLED 2-WAY PBX HOTEL/HOSPITAL ECONOMY ADMINISTRATIVE CALLING PORT | UEPXL | \$21.93 | \$38.00 | \$17.16 | \$36.47 | \$16.43 | \$22.98 | \$24.04 | \$24.36 | NA |
| 2-WIRE VOICE UNBUNDLED 2-WAY PBX HOTEL/HOSPITAL ECONOMY ROOM CALLING PORT | URPXM | \$21.93 | \$38.00 | \$17.16 | \$36.47 | \$16.43 | \$22.98 | \$24.04 | \$24.36 | NA |
| 2-WIRE VOICE UNBUNDLED 1-WAY OUTGOING PBX HOTEL/HOSPITAL ECONOMY ADMINISTRATIVE CALLING PORT TENNESSEE CALLING PORT | UEPXN | NA | NA | NA | NA | NA | NA | NA | NA | NA |
| 2-WIRE VOICE UNBUNDLED 1-WAY OUTGOING PBX HOTEL/HOSPITAL DISCOUNT ROOM CALLING PORT | UEPXO | \$21.93 | \$38.00 | \$17.16 | \$36.47 | \$16.43 | \$22.98 | \$24.04 | \$24.36 | NA |
| 2-WIRE VOICE UNBUNDLED 1-WAY OUTGOING PBX LOUISIANA LOCAL DISCOUNT CALLING PORT | UEPXP | NA | NA | NA | NA | \$16.43 | NA | NA | NA | NA |
| 2-WIRE VOICE UNBUNDLED 2-WAY PBX MISSISSIPPI LOCAL ECONOMY CALLING PORT | UEPXQ | NA | NA | NA | NA | NA | \$22.98 | NA | NA | NA |
| 2-WIRE VOICE UNBUNDLED 2-WAY PBX MISSISSIPPI LOCAL OPTIONAL CALLING PORT | UEPXR | NA | NA | NA | NA | NA | \$22.98 | NA | NA | NA |
| 2-WIRE VOICE UNBUNDLED 1-WAY OUTGOING PBX MEASURED PORT | UEPXS | \$21.93 | \$38.00 | \$17.16 | \$36.47 | \$16.43 | \$22.98 | \$24.04 | \$24.36 | NA |
| 2-WIRE VOICE UNBUNDLED 2-WAY PBX SOUTH CAROLINA AREA PLUS CALLING PORT | UEPXT | NA | NA | NA | NA | NA | NA | NA | \$24.36 | NA |
| 2-WIRE VOICE UNBUNDLED PBX COLLIERVERVILLE & MEMPHIS CALLING PORT | UEPXU | NA | NA | NA | NA | NA | NA | NA | NA | NA |
| 2-WIRE VOICE UNBUNDLED 2-WAY PBX TENNESSEE REGIONSERV CALLING PORT | UEPXV | NA | NA | NA | NA | NA | NA | NA | NA | NA |
| | | | | | | | | | | |
| NRC - Add'l | | | | | | | | | | |
| 2 WIRE VOICE UNBUNDLED COMBINATION 2-WAY PBX TRUNK - Residence | UEPRD | \$21.93 | \$15.00 | \$17.16 | \$36.47 | \$16.43 | \$22.98 | \$21.60 | \$24.36 | NA |
| LINE SIDE UNBUNDLED COMBINATION 2-WAY PBX TRUNK - BUSINESS | UEPPC | \$21.93 | \$15.00 | \$17.16 | \$36.47 | \$16.43 | \$22.98 | \$9.05 | \$24.36 | NA |
| LINE SIDE UNBUNDLED OUTWARD PBX TRUNK - BUSINESS | UEPPO | \$21.93 | \$15.00 | \$17.16 | \$36.47 | \$16.43 | \$22.98 | \$9.05 | \$24.36 | NA |
| LINE SIDE UNBUNDLED INCOMING PBX TRUNK - BUSINESS | UEPP1 | \$21.93 | \$15.00 | \$17.16 | \$36.47 | \$16.43 | \$22.98 | \$9.05 | \$24.36 | NA |
| LONG DISTANCE TERMINAL PBX TRUNK-BUSINESS | UEPLD | \$21.93 | \$15.00 | \$17.16 | \$36.47 | \$16.43 | \$22.98 | \$9.05 | \$24.36 | NA |
| TN 2-WAY CALLING PLAN PBX TRUNK - BUSINESS | UEPT2 | \$21.93 | \$15.00 | \$17.16 | \$36.47 | \$16.43 | \$22.98 | \$9.05 | \$24.36 | NA |
| TN OUTWARD CALLING PLAN PBX TRUNK - BUSINESS | UEPTO | \$21.93 | \$15.00 | \$17.16 | \$36.47 | \$16.43 | \$22.98 | \$9.05 | \$24.36 | NA |
| 2-WIRE VOICE UNBUNDLED 2-WAY COMBINATION PBX ALABAMA CALLING PORT | UEPA2 | \$21.93 | NA | NA | NA | NA | NA | NA | NA | NA |
| 2-WIRE VOICE UNBUNDLED 2-WAY COMBINATION PBX LOUISIANA CALLING PORT | UEPL2 | NA | NA | NA | NA | \$16.43 | NA | NA | NA | NA |
| 2-WIRE VOICE UNBUNDLED PBX LD TERMINAL PORTS | UEPLD | \$21.93 | \$15.00 | \$17.16 | \$36.47 | \$16.43 | \$22.98 | \$9.05 | \$24.36 | NA |
| 2-WIRE VOICE UNBUNDLED 2-WAY COMBINATION PBX TENNESSEE CALLING PORT | UEPT2 | NA | NA | NA | NA | NA | NA | NA | NA | NA |
| 2-WIRE VOICE UNBUNDLED 1-WAY OUTGOING PBX TENNESSEE CALLING PORT | UEPTO | NA | NA | NA | NA | NA | NA | NA | NA | NA |
| 2-WIRE VOICE UNBUNDLED 2-WAY COMBINATION PBX USAGE PORT | UEPXA | \$21.93 | \$15.00 | \$17.16 | \$36.47 | \$16.43 | \$22.98 | \$9.05 | \$24.36 | NA |
| 2-WIRE VOICE UNBUNDLED PBX TOLL TERMINAL HOTEL PORTS | UEPXB | \$21.93 | \$15.00 | \$17.16 | \$36.47 | \$16.43 | \$22.98 | \$9.05 | \$24.36 | NA |
| 2-WIRE VOICE UNBUNDLED PBX LD DDD TERMINALS PORT | UEPXC | \$21.93 | \$15.00 | \$17.16 | \$36.47 | \$16.43 | \$22.98 | \$9.05 | \$24.36 | NA |
| 2-WIRE VOICE UNBUNDLED PBX LD TERMINAL SWITCHBOARD PORT | UEPXD | \$21.93 | \$15.00 | \$17.16 | \$36.47 | \$16.43 | \$22.98 | \$9.05 | \$24.36 | NA |

BELLSOUTH/Accutel RATES NETWORK ELEMENTS
AND OTHER SERVICES
PORTS

| DESCRIPTION | USOC | AL | FL | GA | KY | LA | MS | NC | SC | TN |
|--|-------|---------|---------|---------|---------|---------|---------|--------|---------|----|
| 2-WIRE VOICE UNBUNDLED PBX LD TERMINAL SWITCHBOARD IDD CAPABLE PORT | UEPXE | \$21.93 | \$15.00 | \$17.16 | \$36.47 | \$16.43 | \$22.98 | \$9.05 | \$24.36 | NA |
| 2-WIRE VOICE UNBUNDLED 2-WAY PBX KENTUCKY ROOM AREA CALLING PORT WITHOUT LUD | UEPXF | NA | NA | NA | \$36.47 | NA | NA | NA | NA | NA |
| 2-WIRE VOICE UNBUNDLED PBX KENTUCKY LUD AREA CALLING PORT | UEPXG | NA | NA | NA | \$37.47 | NA | NA | NA | NA | NA |
| 2-WIRE VOICE UNBUNDLED PBX KENTUCKY PREMIUM CALLING PORT | UEPXH | NA | NA | NA | \$38.47 | NA | NA | NA | NA | NA |
| 2-WIRE VOICE UNBUNDLED 2-WAY KENTUCKY AREA CALLING PORT WITHOUT LUD | UEPXJ | NA | NA | NA | \$39.47 | NA | NA | NA | NA | NA |
| 2-WIRE VOICE UNBUNDLED 2-WAY PBX LOUISIANA LOCAL OPTIONAL CALLING PORT | UEPXK | NA | NA | NA | NA | \$16.43 | NA | NA | NA | NA |
| 2-WIRE VOICE UNBUNDLED 2-WAY PBX HOTEL/HOSPITAL ECONOMY ADMINISTRATIVE CALLING PORT | UEPXL | \$21.93 | \$15.00 | \$17.16 | \$36.47 | \$16.43 | \$22.98 | \$9.05 | \$24.36 | NA |
| 2-WIRE VOICE UNBUNDLED 2-WAY PBX HOTEL/HOSPITAL ECONOMY ROOM CALLING PORT | URPXM | \$21.93 | \$15.00 | \$17.16 | \$36.47 | \$16.43 | \$22.98 | \$9.05 | \$24.36 | NA |
| 2-WIRE VOICE UNBUNDLED 1-WAY OUTGOING PBX HOTEL/HOSPITAL ECONOMY ADMINIATRATIVE CALLING PORTTENNESSEE CALLING PORT | UEPXN | NA | NA | NA | NA | NA | NA | NA | NA | NA |
| 2-WIRE VOICE UNBUNDLED 1-WAY OUTGOING PBX HOTEL/HOSPITAL DIACOUNT ROOM CALLING PORT | UEPXO | \$21.93 | \$15.00 | \$17.16 | \$36.47 | \$16.43 | \$22.98 | \$9.05 | \$24.36 | NA |
| 2-WIRE VOICE UNBUNDLED 1-WAY OUTGOING PBX LOUISIANA LOCAL DISCOUNT CALLING PORT | UEPXP | NA | NA | NA | NA | \$16.43 | NA | NA | NA | NA |
| 2-WIRE VOICE UNBUNDLED 2-WAY PBX MISSISSIPPI LOCAL ECONOMY CALLING PORT | UEPXQ | NA | NA | NA | NA | NA | \$22.98 | NA | NA | NA |
| 2-WIRE VOICE UNBUNDLED 2-WAY PBX MISSISSIPPI LOCAL OPTIONAL CALLING PORT | UEPXR | NA | NA | NA | NA | NA | \$22.98 | NA | NA | NA |
| 2-WIRE VOICE UNBUNDLED 1-WAY OUTGOING PBXMEASURED PORT | UEPXS | \$21.93 | \$15.00 | \$17.16 | \$36.47 | \$16.43 | \$22.98 | \$9.05 | \$24.36 | NA |
| 2-WIRE VOICE UNBUNDLED 2-WAY PBX SOUTH CAROLINA AREA PLUS CALLING PORT | UEPXT | NA | NA | NA | NA | NA | NA | NA | \$24.36 | NA |
| 2-WIRE VOICE UNBUNDLED PBX COLLIERVERVILLE & MEMPHIS CALLING PORT | UEPXU | NA | NA | NA | NA | NA | NA | NA | NA | NA |
| 2-WIRE VOICE UNBUNDLED 2-WAY PBX TENNESSEE REGIONSERV CALLING PORT | UEPXV | NA | NA | NA | NA | NA | NA | NA | NA | NA |
| | | | | | | | | | | |
| NRC - Disconnect Charge - 1st | | | | | | | | | | |
| 2 WIRE VOICE UNBUNDLED COMBINATION 2-WAY PBX TRUNK - Residence | | \$6.21 | NA | NA | NA | \$3.77 | \$6.56 | NA | NA | NA |
| LINE SIDE UNBUNDLED COMBINATION 2-WAY PBX TRUNK - BUSINESS | | \$6.21 | NA | NA | NA | \$3.77 | \$6.56 | NA | NA | NA |
| LINE SIDE UNBUNDLED OUTWARD PBX TRUNK - BUSINESS | | \$6.21 | NA | NA | NA | \$3.77 | \$6.56 | NA | NA | NA |
| LINE SIDE UNBUNDLED INCOMING PBX TRUNK - BUSINESS | | \$6.21 | NA | NA | NA | \$3.77 | \$6.56 | NA | NA | NA |
| LONG DISTANCE TERMINAL PBX TRUNK-BUSINESS | | \$6.21 | NA | NA | NA | \$3.77 | \$6.56 | NA | NA | NA |
| TN 2-WAY CALLING PLAN PBX TRUNK - BUSINESS | | \$6.21 | NA | NA | NA | \$3.77 | \$6.56 | NA | NA | NA |
| TN OUTWARD CALLING PLAN PBX TRUNK - BUSINESS | | \$6.21 | NA | NA | NA | \$3.77 | \$6.56 | NA | NA | NA |
| 2-WIRE VOICE UNBUNDLED 2-WAY COMBINATION PBX ALABAMA CALLING PORT | | \$6.21 | NA | NA | NA | NA | NA | NA | NA | NA |
| 2-WIRE VOICE UNBUNDLED 2-WAY COMBINATION PBX LOUISIANA CALLING PORT | | NA | NA | NA | NA | \$3.77 | NA | NA | NA | NA |
| 2-WIRE VOICE UNBUNDLED PBX LD TERMINAL PORTS | | \$6.21 | NA | NA | NA | \$3.77 | \$6.56 | NA | NA | NA |
| 2-WIRE VOICE UNBUNDLED 2-WAY COMBINATION PBX TENNESSEE CALLING PORT | | NA | NA | NA | NA | NA | NA | NA | NA | NA |
| 2-WIRE VOICE UNBUNDLED 1-WAY OUTGOING PBX TENNESSEE CALLING PORT | | NA | NA | NA | NA | NA | NA | NA | NA | NA |
| 2-WIRE VOICE UNBUNDLED 2-WAY COMBINATION PBX USAGE PORT | | \$6.21 | NA | NA | NA | \$3.77 | \$6.56 | NA | NA | NA |
| 2-WIRE VOICE UNBUNDLED PBX TOLL TERMINAL HOTEL PORTS | | \$6.21 | NA | NA | NA | \$3.77 | \$6.56 | NA | NA | NA |
| 2-WIRE VOICE UNBUNDLED PBX LD DDD TERMINALS PORT | | \$6.21 | NA | NA | NA | \$3.77 | \$6.56 | NA | NA | NA |
| 2-WIRE VOICE UNBUNDLED PBX LD TERMINAL SWITCHBOARD PORT | | \$6.21 | NA | NA | NA | \$3.77 | \$6.56 | NA | NA | NA |

BELLSOUTH/Accutel RATES NETWORK ELEMENTS
AND OTHER SERVICES
PORTS

| DESCRIPTION | USOC | AL | FL | GA | KY | LA | MS | NC | SC | TN |
|--|------|--------|----|----|----|--------|--------|----|----|----|
| 2-WIRE VOICE UNBUNDLED PBX LD TERMINAL SWITCHBOARD IDD CAPABLE PORT | | \$6.21 | NA | NA | NA | \$3.77 | \$6.56 | NA | NA | NA |
| 2-WIRE VOICE UNBUNDLED 2-WAY PBX KENTUCKY ROOM AREA CALLING PORT WITHOUT LUD | | NA | NA | NA | NA | NA | NA | NA | NA | NA |
| 2-WIRE VOICE UNBUNDLED PBX KENTUCKY LUD AREA CALLING PORT | | NA | NA | NA | NA | NA | NA | NA | NA | NA |
| 2-WIRE VOICE UNBUNDLED PBX KENTUCKY PREMIUM CALLING PORT | | NA | NA | NA | NA | NA | NA | NA | NA | NA |
| 2-WIRE VOICE UNBUNDLED 2-WAY KENTUCKY AREA CALLING PORT WITHOUT LUD | | NA | NA | NA | NA | NA | NA | NA | NA | NA |
| 2-WIRE VOICE UNBUNDLED 2-WAY PBX LOUISIANA LOCAL OPTIONAL CALLING PORT | | NA | NA | NA | NA | \$3.77 | NA | NA | NA | NA |
| 2-WIRE VOICE UNBUNDLED 2-WAY PBX HOTEL/HOSPITAL ECONOMY ADMINISTRATIVE CALLING PORT | | \$6.21 | NA | NA | NA | \$3.77 | \$6.56 | NA | NA | NA |
| 2-WIRE VOICE UNBUNDLED 2-WAY PBX HOTEL/HOSPITAL ECONOMY ROOM CALLING PORT | | \$6.21 | NA | NA | NA | \$3.77 | \$6.56 | NA | NA | NA |
| 2-WIRE VOICE UNBUNDLED 1-WAY OUTGOING PBX HOTEL/HOSPITAL ECONOMY ADMINIATRATIVE CALLING PORTTENNESSEE CALLING PORT | | NA | NA | NA | NA | NA | NA | NA | NA | NA |
| 2-WIRE VOICE UNBUNDLED 1-WAY OUTGOING PBX HOTEL/HOSPITAL DIACOUNT ROOM CALLING PORT | | \$6.21 | NA | NA | NA | \$3.77 | \$6.56 | NA | NA | NA |
| 2-WIRE VOICE UNBUNDLED 1-WAY OUTGOING PBX LOUISIANA LOCAL DISCOUNT CALLING PORT | | \$6.21 | NA | NA | NA | \$3.77 | \$6.56 | NA | NA | NA |
| 2-WIRE VOICE UNBUNDLED 2-WAY PBX MISSISSIPPI LOCAL ECONOMY CALLING PORT | | NA | NA | NA | NA | NA | \$6.56 | NA | NA | NA |
| 2-WIRE VOICE UNBUNDLED 2-WAY PBX MISSISSIPPI LOCAL OPTIONAL CALLING PORT | | NA | NA | NA | NA | NA | \$6.56 | NA | NA | NA |
| 2-WIRE VOICE UNBUNDLED 1-WAY OUTGOING PBXMEASURED PORT | | \$6.21 | NA | NA | NA | \$3.77 | \$6.56 | NA | NA | NA |
| 2-WIRE VOICE UNBUNDLED 2-WAY PBX SOUTH CAROLINA AREA PLUS CALLING PORT | | NA | NA | NA | NA | NA | NA | NA | NA | NA |
| 2-WIRE VOICE UNBUNDLED PBX COLLIERVERVILLE & MEMPHIS CALLING PORT | | NA | NA | NA | NA | NA | NA | NA | NA | NA |
| 2-WIRE VOICE UNBUNDLED 2-WAY PBX TENNESSEE REGIONSERV CALLING PORT | | NA | NA | NA | NA | NA | NA | NA | NA | NA |
| | | | | | | | | | | |
| NRC - Disconnect Charge - Add'l | | | | | | | | | | |
| 2 WIRE VOICE UNBUNDLED COMBINATION 2-WAY PBX TRUNK - Residence | | \$6.21 | NA | NA | NA | \$3.77 | \$6.56 | NA | NA | NA |
| LINE SIDE UNBUNDLED COMBINATION 2-WAY PBX TRUNK - BUSINESS | | \$6.21 | NA | NA | NA | \$3.77 | \$6.56 | NA | NA | NA |
| LINE SIDE UNBUNDLED OUTWARD PBX TRUNK - BUSINESS | | \$6.21 | NA | NA | NA | \$3.77 | \$6.56 | NA | NA | NA |
| LINE SIDE UNBUNDLED INCOMING PBX TRUNK - BUSINESS | | \$6.21 | NA | NA | NA | \$3.77 | \$6.56 | NA | NA | NA |
| LONG DISTANCE TERMINAL PBX TRUNK-BUSINESS | | \$6.21 | NA | NA | NA | \$3.77 | \$6.56 | NA | NA | NA |
| TN 2-WAY CALLING PLAN PBX TRUNK - BUSINESS | | \$6.21 | NA | NA | NA | \$3.77 | \$6.56 | NA | NA | NA |
| TN OUTWARD CALLING PLAN PBX TRUNK - BUSINESS | | \$6.21 | NA | NA | NA | \$3.77 | \$6.56 | NA | NA | NA |
| 2-WIRE VOICE UNBUNDLED 2-WAY COMBINATION PBX ALABAMA CALLING PORT | | \$6.21 | NA | NA | NA | NA | NA | NA | NA | NA |
| 2-WIRE VOICE UNBUNDLED 2-WAY COMBINATION PBX LOUISIANA CALLING PORT | | NA | NA | NA | NA | \$3.77 | NA | NA | NA | NA |
| 2-WIRE VOICE UNBUNDLED PBX LD TERMINAL PORTS | | \$6.21 | NA | NA | NA | \$3.77 | \$6.56 | NA | NA | NA |
| 2-WIRE VOICE UNBUNDLED 2-WAY COMBINATION PBX TENNESSEE CALLING PORT | | NA | NA | NA | NA | NA | NA | NA | NA | NA |
| 2-WIRE VOICE UNBUNDLED 1-WAY OUTGOING PBX TENNESSEE CALLING PORT | | NA | NA | NA | NA | NA | NA | NA | NA | NA |
| 2-WIRE VOICE UNBUNDLED 2-WAY COMBINATION PBX USAGE PORT | | \$6.21 | NA | NA | NA | \$3.77 | \$6.56 | NA | NA | NA |
| 2-WIRE VOICE UNBUNDLED PBX TOLL TERMINAL HOTEL PORTS | | \$6.21 | NA | NA | NA | \$3.77 | \$6.56 | NA | NA | NA |
| 2-WIRE VOICE UNBUNDLED PBX LD DDD TERMINALS PORT | | \$6.21 | NA | NA | NA | \$3.77 | \$6.56 | NA | NA | NA |
| 2-WIRE VOICE UNBUNDLED PBX LD TERMINAL SWITCHBOARD PORT | | \$6.21 | NA | NA | NA | \$3.77 | \$6.56 | NA | NA | NA |

BELLSOUTH/Accutel RATES NETWORK ELEMENTS
AND OTHER SERVICES
PORTS

| DESCRIPTION | USOC | AL | FL | GA | KY | LA | MS | NC | SC | TN |
|--|-------|--------------|----|---------|--------|---------|--------------|---------|--------------|--------|
| 2-WIRE VOICE UNBUNDLED PBX LD TERMINAL SWITCHBOARD IDD CAPABLE PORT | | \$6.21 | NA | NA | NA | \$3.77 | \$6.56 | NA | NA | NA |
| 2-WIRE VOICE UNBUNDLED 2-WAY PBX KENTUCKY ROOM AREA CALLING PORT WITHOUT LUD | | NA | NA | NA | NA | NA | NA | NA | NA | NA |
| 2-WIRE VOICE UNBUNDLED PBX KENTUCKY LUD AREA CALLING PORT | | NA | NA | NA | NA | NA | NA | NA | NA | NA |
| 2-WIRE VOICE UNBUNDLED PBX KENTUCKY PREMIUM CALLING PORT | | NA | NA | NA | NA | NA | NA | NA | NA | NA |
| 2-WIRE VOICE UNBUNDLED 2-WAY KENTUCKY AREA CALLING PORT WITHOUT LUD | | NA | NA | NA | NA | NA | NA | NA | NA | NA |
| 2-WIRE VOICE UNBUNDLED 2-WAY PBX LOUISIANA LOCAL OPTIONAL CALLING PORT | | NA | NA | NA | NA | \$3.77 | NA | NA | NA | NA |
| 2-WIRE VOICE UNBUNDLED 2-WAY PBX HOTEL/HOSPITAL ECONOMY ADMINISTRATIVE CALLING PORT | | \$6.21 | NA | NA | NA | \$3.77 | \$6.56 | NA | NA | NA |
| 2-WIRE VOICE UNBUNDLED 2-WAY PBX HOTEL/HOSPITAL ECONOMY ROOM CALLING PORT | | \$6.21 | NA | NA | NA | \$3.77 | \$6.56 | NA | NA | NA |
| 2-WIRE VOICE UNBUNDLED 1-WAY OUTGOING PBX HOTEL/HOSPITAL ECONOMY ADMINIATRATIVE CALLING PORTTENNESSEE CALLING PORT | | NA | NA | NA | NA | NA | NA | NA | NA | NA |
| 2-WIRE VOICE UNBUNDLED 1-WAY OUTGOING PBX HOTEL/HOSPITAL DIACOUNT ROOM CALLING PORT | | \$6.21 | NA | NA | NA | \$3.77 | \$6.56 | NA | NA | NA |
| 2-WIRE VOICE UNBUNDLED 1-WAY OUTGOING PBX LOUISIANA LOCAL DISCOUNT CALLING PORT | | \$6.21 | NA | NA | NA | \$3.77 | \$6.56 | NA | NA | NA |
| 2-WIRE VOICE UNBUNDLED 2-WAY PBX MISSISSIPPI LOCAL ECONOMY CALLING PORT | | NA | NA | NA | NA | NA | \$6.56 | NA | NA | NA |
| 2-WIRE VOICE UNBUNDLED 2-WAY PBX MISSISSIPPI LOCAL OPTIONAL CALLING PORT | | NA | NA | NA | NA | NA | \$6.56 | NA | NA | NA |
| 2-WIRE VOICE UNBUNDLED 1-WAY OUTGOING PBXMEASURED PORT | | \$6.21 | NA | NA | NA | \$3.77 | \$6.56 | NA | NA | NA |
| 2-WIRE VOICE UNBUNDLED 2-WAY PBX SOUTH CAROLINA AREA PLUS CALLING PORT | | NA | NA | NA | NA | NA | NA | NA | NA | NA |
| 2-WIRE VOICE UNBUNDLED PBX COLLIERVILLE & MEMPHIS CALLING PORT | | NA | NA | NA | NA | NA | NA | NA | NA | NA |
| 2-WIRE VOICE UNBUNDLED 2-WAY PBX TENNESSEE REGIONSERV CALLING PORT | | NA | NA | NA | NA | NA | NA | NA | NA | NA |
| | | | | | | | | | | |
| NRC - Incremental Charge - Manual Service Order - 1st | SOMAN | \$27.37 | NA | \$18.94 | NA | \$18.14 | \$25.52 | \$26.94 | \$41.86 | NA |
| NRC - Incremental Charge - Manual Service Order - Add'l | SOMAN | \$12.97 | NA | \$8.42 | NA | \$8.06 | \$11.34 | \$12.76 | \$14.46 | NA |
| NRC - Incremental Charge - Manual Service Order - Disconnect - 1st | SOMAN | \$17.77 | NA | NA | NA | \$8.94 | \$16.06 | NA | NA | NA |
| NRC - Incremental Charge - Manual Service Order - Disconnect - Add'l | SOMAN | \$0.48 | NA | NA | NA | NA | NA | NA | NA | NA |
| | | | | | | | | | | |
| 2-Wire Analog Line Port (PBX) including all available features, per month | UEPPC | NA | NA | NA | NA | NA | NA | NA | \$8.67 | NA |
| NRC - 1st | UEPPC | NA | NA | NA | NA | NA | NA | NA | \$60.60 | NA |
| NRC - Add'l | UEPPC | NA | NA | NA | NA | NA | NA | NA | \$60.60 | NA |
| NRC - Incremental Charge - Manual Service Order - 1st | SOMAN | NA | NA | NA | NA | NA | NA | NA | \$41.86 | NA |
| NRC - Incremental Charge - Manual Service Order - Add'l | SOMAN | NA | NA | NA | NA | NA | NA | NA | \$14.46 | NA |
| | | | | | | | | | | |
| 2-Wire Analog Line Port (PBX) including three available features, per month | UEPPC | NA | NA | NA | NA | NA | NA | NA | \$5.38 | NA |
| NRC - 1st | UEPPC | NA | NA | NA | NA | NA | NA | NA | \$28.89 | NA |
| NRC - Add'l | UEPPC | NA | NA | NA | NA | NA | NA | NA | \$28.89 | NA |
| NRC - Incremental Charge - Manual Service Order - 1st | SOMAN | NA | NA | NA | NA | NA | NA | NA | \$41.86 | NA |
| NRC - Incremental Charge - Manual Service Order - Add'l | SOMAN | NA | NA | NA | NA | NA | NA | NA | \$14.46 | NA |
| | | | | | | | | | | |
| 2-Wire Analog Hunting, per line per month | HTGUX | See features | NA | NA | \$0.29 | NA | See features | NA | See features | NA |
| NRC - 1st | HTGUX | See features | NA | NA | \$2.14 | NA | See features | NA | See features | NA |
| NRC - Add'l | HTGUX | See features | NA | NA | \$2.14 | NA | See features | NA | See features | NA |
| Coin Port, per month | | \$2.34 | NA | \$2.05 | \$3.04 | \$2.50 | \$2.32 | NA | \$2.77 | \$1.90 |

BELLSOUTH/Accutel RATES NETWORK ELEMENTS
AND OTHER SERVICES
PORTS

| DESCRIPTION | USOC | AL | FL | GA | KY | LA | MS | NC | SC | TN |
|--|-------|---------|--------------------|---------|--------------------|---------|----------|---------|-----------|--------------------|
| NRC - 1st | | \$21.93 | NA | \$17.16 | \$40.71 | \$16.43 | \$22.98 | NA | \$24.75 | BST GSST A4.3.1 |
| NRC - Add'l | | \$21.93 | NA | \$17.16 | \$40.71 | \$16.43 | \$22.98 | NA | \$24.75 | BST GSST A4.3.1 |
| NRC - Disconnect Charge - 1st | | \$5.21 | NA | NA | NA | \$4.15 | \$6.56 | NA | NA | NA |
| NRC - Disconnect Charge - Add'l | | \$5.21 | NA | NA | NA | \$4.15 | \$6.56 | NA | NA | NA |
| NRC - Incremental Charge - Manual Service Order - 1st | SOMAN | \$25.93 | NA | \$18.94 | NA | \$18.14 | \$25.52 | NA | \$43.48 | NA |
| NRC - Incremental Charge - Manual Service Order - Add'l | SOMAN | \$12.97 | NA | \$8.42 | NA | \$8.06 | \$11.34 | NA | \$14.57 | NA |
| NRC - Incremental Charge - Manual Service Order - Disconnect - 1st | SOMAN | \$16.33 | NA | NA | NA | \$9.86 | \$16.06 | NA | NA | NA |
| NRC - Incremental Charge - Manual Service Order - Disconnect - Add'l | SOMAN | \$0.48 | NA | NA | NA | NA | NA | NA | NA | NA |
| 4-Wire Coin Port, per month | | NA | NA | NA | NA | NA | NA | \$2.59 | NA | NA |
| NRC - 1st | | NA | NA | NA | NA | NA | NA | \$21.60 | NA | NA |
| NRC - Add'l | | NA | NA | NA | NA | NA | NA | \$21.60 | NA | NA |
| NRC - Disconnect Charge - 1st | | NA | NA | NA | NA | NA | NA | NA | NA | NA |
| NRC - Disconnect Charge - Add'l | | NA | NA | NA | NA | NA | NA | NA | NA | NA |
| NRC - Incremental Charge - Manual Service Order - 1st | | NA | NA | NA | NA | NA | NA | \$26.94 | NA | NA |
| NRC - Incremental Charge - Manual Service Order - Add'l | | NA | NA | NA | NA | NA | NA | \$12.76 | NA | NA |
| NRC - Incremental Charge - Manual Service Order - Disconnect - 1st | | NA | NA | NA | NA | NA | NA | NA | NA | NA |
| NRC - Incremental Charge - Manual Service Order - Disconnect - Add'l | | NA | NA | NA | NA | NA | NA | NA | NA | NA |
| VERTICAL FEATURES | | | | | | | | | | |
| Local Switching Features offered with Port, Per month | N/A | NA | No add'l charge | NA | No add'l charge | \$8.28 | NA | NA | See above | NA |
| Three-Way Calling, per month | | \$1.12 | NA | NA | NA | NA | \$1.32 | \$0.89 | \$1.10 | NA |
| NRC | | \$1.03 | NA | NA | NA | NA | \$1.02 | \$1.51 | \$1.51 | NA |
| NRC - Disconnect | | \$0.55 | NA | NA | NA | NA | \$0.5466 | NA | NA | NA |
| Customer Changeable Speed Calling, per month | | \$0.08 | NA | NA | NA | NA | \$0.0755 | \$0.17 | \$0.1247 | NA |
| NRC | | \$1.03 | NA | NA | NA | NA | \$1.02 | \$1.51 | \$1.51 | NA |
| NRC - Disconnect | | \$0.55 | NA | NA | NA | NA | \$0.5466 | NA | NA | NA |
| Call Waiting | | \$0.03 | NA | NA | NA | NA | \$0.033 | \$0.09 | \$0.0665 | NA |
| NRC | | \$1.03 | NA | NA | NA | NA | \$1.02 | \$1.51 | \$1.51 | NA |
| NRC - Disconnect | | \$0.55 | NA | NA | NA | NA | \$0.5466 | NA | NA | NA |
| Remote Activation of Call Forwarding, per month | | \$0.18 | NA | NA | NA | NA | \$0.4859 | \$0.85 | \$0.3743 | NA |
| NRC | | \$1.03 | NA | NA | NA | NA | \$1.02 | \$1.51 | \$1.51 | NA |
| NRC - Disconnect | | \$0.55 | NA | NA | NA | NA | \$0.5466 | NA | NA | NA |
| Cancel Call Waiting, per month | | \$0.01 | NA | NA | NA | NA | \$0.0082 | \$0.01 | \$0.0099 | NA |
| NRC | | \$1.03 | NA | NA | NA | NA | \$1.02 | \$1.51 | \$1.51 | NA |
| NRC - Disconnect | | \$0.55 | NA | NA | NA | NA | \$0.5466 | NA | NA | NA |
| Automatic Callback, per month | | \$0.29 | NA | NA | NA | NA | \$0.9977 | \$0.66 | \$0.8015 | NA |
| NRC | | \$1.03 | NA | NA | NA | NA | \$1.02 | \$1.51 | \$1.51 | NA |
| NRC - Disconnect | | \$0.55 | NA | NA | NA | NA | \$0.5466 | NA | NA | NA |
| Automatic Recall, per month | | \$0.28 | NA | NA | NA | NA | \$0.3164 | \$0.29 | \$0.3102 | NA |
| NRC | | \$1.03 | NA | NA | NA | NA | \$1.02 | \$1.51 | \$1.51 | NA |
| NRC - Disconnect | | \$0.55 | NA | NA | NA | NA | \$0.5466 | NA | NA | NA |
| Calling Number Delivery, per month | | \$0.22 | NA | NA | NA | NA | \$0.1817 | \$0.33 | \$0.3272 | NA |
| NRC | | \$1.03 | NA | NA | NA | NA | \$1.02 | \$1.51 | \$1.51 | NA |
| NRC - Disconnect | | \$0.55 | NA | NA | NA | NA | \$0.5466 | NA | NA | NA |
| Calling Number Delivery Blocking, per month | | \$1.17 | NA | NA | NA | NA | \$0.9913 | \$0.02 | \$0.3684 | NA |
| NRC | | \$1.03 | NA | NA | NA | NA | \$1.02 | \$1.51 | \$1.51 | NA |
| NRC - Disconnect | | \$0.55 | NA | NA | NA | NA | \$0.5466 | NA | NA | NA |
| Customer Originated Trace, per month | | \$0.14 | NA | NA | NA | NA | \$0.1918 | \$0.14 | \$0.1402 | NA |
| NRC | | \$1.03 | NA | NA | NA | NA | \$1.02 | \$1.51 | \$1.51 | NA |
| NRC - Disconnect | | \$0.55 | NA | NA | NA | NA | \$0.5466 | NA | NA | NA |

BELLSOUTH/Accutel RATES NETWORK ELEMENTS
AND OTHER SERVICES
PORTS

| DESCRIPTION | USOC | AL | FL | GA | KY | LA | MS | NC | SC | TN |
|---|------|---------|----|----|----|----|----------|----------|----------|----|
| Selective Call Rejection, per month | | \$0.13 | NA | NA | NA | NA | \$0.1721 | \$0.13 | \$0.1528 | NA |
| NRC | | \$1.03 | NA | NA | NA | NA | \$1.02 | \$1.51 | \$1.51 | NA |
| NRC - Disconnect | | \$0.55 | NA | NA | NA | NA | \$0.5466 | NA | NA | NA |
| Selective Call Forwarding, per month | | \$0.05 | NA | NA | NA | NA | \$0.1050 | \$0.28 | \$0.1287 | NA |
| NRC | | \$1.03 | NA | NA | NA | NA | \$1.02 | \$1.51 | \$1.51 | NA |
| NRC - Disconnect | | \$0.55 | NA | NA | NA | NA | \$0.5466 | NA | NA | NA |
| Selective Call Acceptance, per month | | \$0.29 | NA | NA | NA | NA | \$0.4010 | \$0.33 | \$0.3283 | NA |
| NRC | | \$1.03 | NA | NA | NA | NA | \$1.02 | \$1.51 | \$1.51 | NA |
| NRC - Disconnect | | \$0.55 | NA | NA | NA | NA | \$0.5466 | NA | NA | NA |
| Multiline Hunt Service (Rotary) | | | | | | | | | | |
| Service per line, (in addition to port) , per month | | \$0.11 | NA | NA | NA | NA | \$0.1271 | \$0.14 | \$0.1301 | NA |
| NRC | | \$1.03 | NA | NA | NA | NA | \$1.02 | \$1.51 | \$1.51 | NA |
| NRC - Disconnect | | \$0.55 | NA | NA | NA | NA | \$0.5466 | NA | NA | NA |
| Call Forwarding Variable, per month | | \$0.05 | NA | NA | NA | NA | \$0.0474 | \$0.10 | \$0.0768 | NA |
| NRC | | \$1.03 | NA | NA | NA | NA | \$1.02 | \$1.51 | \$1.51 | NA |
| NRC - Disconnect | | \$0.55 | NA | NA | NA | NA | \$0.5466 | NA | NA | NA |
| Call Forwarding Busy Line, per month | | \$0.03 | NA | NA | NA | NA | \$0.0279 | \$0.08 | \$0.0603 | NA |
| NRC | | \$1.03 | NA | NA | NA | NA | \$1.02 | \$1.51 | \$1.51 | NA |
| NRC - Disconnect | | \$0.55 | NA | NA | NA | NA | \$0.5466 | NA | NA | NA |
| Call Forwarding Don't Answer All Calls, per month | | \$0.03 | NA | NA | NA | NA | \$0.0308 | \$0.09 | \$0.0655 | NA |
| NRC | | \$1.03 | NA | NA | NA | NA | \$1.02 | \$1.51 | \$1.51 | NA |
| NRC - Disconnect | | \$0.55 | NA | NA | NA | NA | \$0.5466 | NA | NA | NA |
| Remote Call Forwarding, per month | | \$1.36 | NA | NA | NA | NA | \$1.47 | \$0.95 | \$1.41 | NA |
| NRC | | \$1.03 | NA | NA | NA | NA | \$1.02 | \$1.51 | \$1.51 | NA |
| NRC - Disconnect | | \$0.55 | NA | NA | NA | NA | \$0.5466 | NA | NA | NA |
| Call Transfer, per month | | \$0.12 | NA | NA | NA | NA | \$0.1404 | \$0.14 | \$0.1392 | NA |
| NRC | | \$1.03 | NA | NA | NA | NA | \$1.02 | \$1.51 | \$1.51 | NA |
| NRC - Disconnect | | \$0.55 | NA | NA | NA | NA | \$0.5466 | NA | NA | NA |
| Call Hold, per month | | \$0.03 | NA | NA | NA | NA | \$0.0190 | \$0.15 | \$0.0677 | NA |
| NRC | | \$1.03 | NA | NA | NA | NA | \$1.02 | \$1.51 | \$1.51 | NA |
| NRC - Disconnect | | \$0.55 | NA | NA | NA | NA | \$0.5466 | NA | NA | NA |
| Toll Restricted Service, per month | | \$0.04 | NA | NA | NA | NA | \$0.0387 | \$0.10 | \$0.0743 | NA |
| NRC | | \$1.03 | NA | NA | NA | NA | \$1.02 | \$1.51 | \$1.51 | NA |
| NRC - Disconnect | | \$0.55 | NA | NA | NA | NA | \$0.5466 | NA | NA | NA |
| Message Waiting Indicator - Stutter Dial Tone, per month | | \$0.03 | NA | NA | NA | NA | \$0.0356 | \$0.03 | \$0.0318 | NA |
| NRC | | \$1.03 | NA | NA | NA | NA | \$1.02 | \$1.51 | \$1.51 | NA |
| NRC - Disconnect | | \$0.55 | NA | NA | NA | NA | \$0.5466 | NA | NA | NA |
| Anonymous Call Rejection, per month | | \$0.93 | NA | NA | NA | NA | \$0.9519 | \$1.29 | \$1.13 | NA |
| NRC | | \$1.03 | NA | NA | NA | NA | \$1.02 | \$1.51 | \$1.51 | NA |
| NRC - Disconnect | | \$0.55 | NA | NA | NA | NA | \$0.5466 | NA | NA | NA |
| Shared Call Appearances of a DN, per month | | \$0.41 | NA | NA | NA | NA | \$0.5015 | \$0.29 | \$0.3513 | NA |
| NRC | | \$1.03 | NA | NA | NA | NA | \$1.02 | \$1.47 | \$1.47 | NA |
| NRC - Disconnect | | \$0.55 | NA | NA | NA | NA | \$0.5466 | NA | NA | NA |
| Multiple Call Appearances, per month | | \$0.09 | NA | NA | NA | NA | \$0.0932 | \$0.07 | \$0.0891 | NA |
| NRC | | \$1.03 | NA | NA | NA | NA | \$1.02 | \$1.47 | \$1.47 | NA |
| NRC - Disconnect | | \$0.55 | NA | NA | NA | NA | \$0.5466 | NA | NA | NA |
| ISDN Bridged Call Exclusion, per month | | \$0.00 | NA | NA | NA | NA | \$0.0013 | \$0.0011 | \$0.0013 | NA |
| NRC | | \$1.03 | NA | NA | NA | NA | \$1.02 | \$1.47 | \$1.47 | NA |
| NRC - Disconnect | | \$0.55 | NA | NA | NA | NA | \$0.5466 | NA | NA | NA |
| Call by Call Access, per month | | \$28.29 | NA | NA | NA | NA | \$50.89 | \$19.83 | \$0.3621 | NA |
| NRC | | \$28.94 | NA | NA | NA | NA | \$28.61 | \$33.33 | \$33.36 | NA |
| NRC - Disconnect | | \$5.22 | NA | NA | NA | NA | \$5.16 | NA | NA | NA |
| Privacy Release, per month | | \$0.01 | NA | NA | NA | NA | \$0.0030 | \$0.0041 | \$0.0116 | NA |
| NRC | | \$1.03 | NA | NA | NA | NA | \$1.02 | \$1.51 | \$1.51 | NA |

BELLSOUTH/Accutel RATES NETWORK ELEMENTS
AND OTHER SERVICES
PORTS

| DESCRIPTION | USOC | AL | FL | GA | KY | LA | MS | NC | SC | TN |
|--|-------|--------|-----|-----|-----|-----|----------|----------|----------|-----|
| NRC - Disconnect | | \$0.55 | NA | NA | NA | NA | \$0.5466 | NA | NA | NA |
| Multi Appearance Directory Number Calls, per month | | \$0.10 | NA | NA | NA | NA | \$0.1115 | \$0.13 | \$0.1048 | NA |
| NRC | | \$1.03 | NA | NA | NA | NA | \$1.02 | \$1.51 | \$1.51 | NA |
| NRC - Disconnect | | \$0.55 | NA | NA | NA | NA | \$0.5466 | NA | NA | NA |
| Make Set Busy, per month | | \$0.01 | NA | NA | NA | NA | \$0.0013 | \$0.0020 | \$0.0101 | NA |
| NRC | | \$1.03 | NA | NA | NA | NA | \$1.02 | \$1.51 | \$1.51 | NA |
| NRC - Disconnect | | \$0.55 | NA | NA | NA | NA | \$0.5466 | NA | NA | NA |
| Teen Service (Res. Dist. Alerting Service), per month | | \$0.15 | NA | NA | NA | NA | \$0.1071 | \$0.26 | \$0.2149 | NA |
| NRC | | \$1.03 | NA | NA | NA | NA | \$1.02 | \$1.51 | \$1.51 | NA |
| NRC - Disconnect | | \$0.55 | NA | NA | NA | NA | \$0.5466 | NA | NA | NA |
| Code Restriction and Diversion, per month | | \$0.04 | NA | NA | NA | NA | \$0.0464 | \$0.09 | \$0.0708 | NA |
| NRC | | \$1.03 | NA | NA | NA | NA | \$1.02 | \$1.51 | \$1.51 | NA |
| NRC - Disconnect | | \$0.55 | NA | NA | NA | NA | \$0.5466 | NA | NA | NA |
| Call Park, per month | | \$0.04 | NA | NA | NA | NA | \$0.0443 | \$0.09 | \$0.0694 | NA |
| NRC | | \$1.03 | NA | NA | NA | NA | \$1.02 | \$1.51 | \$1.51 | NA |
| NRC - Disconnect | | \$0.55 | NA | NA | NA | NA | \$0.5466 | NA | NA | NA |
| Automatic Line, per month | | \$0.09 | NA | NA | NA | NA | \$0.1111 | \$0.14 | \$0.1179 | NA |
| NRC | | \$1.03 | NA | NA | NA | NA | \$1.02 | \$1.51 | \$1.51 | NA |
| NRC - Disconnect | | \$0.55 | NA | NA | NA | NA | \$0.5466 | NA | NA | NA |
| 2-WIRE ISDN BRI FEATURES | | | | | | | | | | |
| Shared Primary Number-First Appr On Each Add'l Terminal | DS1FJ | TBD | TBD | TBD | TBD | TBD | TBD | TBD | TBD | TBD |
| Secondary Only Dn (Shared/Non-Shared) First Appearance | LLDSF | TBD | TBD | TBD | TBD | TBD | TBD | TBD | TBD | TBD |
| Shared Secondary Only Dn-First Appr On Each Add'l Term | DS1F1 | TBD | TBD | TBD | TBD | TBD | TBD | TBD | TBD | TBD |
| Shared Non-ISDN DN | DOE | TBD | TBD | TBD | TBD | TBD | TBD | TBD | TBD | TBD |
| Privacy Release | DS1FU | TBD | TBD | TBD | TBD | TBD | TBD | TBD | TBD | TBD |
| Manual Exclusion | DS1FM | TBD | TBD | TBD | TBD | TBD | TBD | TBD | TBD | TBD |
| Call Forwarding Variable-Voice Or Voice/Data | LLNCV | TBD | TBD | TBD | TBD | TBD | TBD | TBD | TBD | TBD |
| Call Forwarding Variable - Data | LLOCD | TBD | TBD | TBD | TBD | TBD | TBD | TBD | TBD | TBD |
| Call Forwarding Variable - Feature Button - Voice | GJXCF | TBD | TBD | TBD | TBD | TBD | TBD | TBD | TBD | TBD |
| Call Forwarding Variable - Feature Button - Data | LLPCD | TBD | TBD | TBD | TBD | TBD | TBD | TBD | TBD | TBD |
| Call Forwarding Busy Line - Voice Or Voice/Data | LLQCV | TBD | TBD | TBD | TBD | TBD | TBD | TBD | TBD | TBD |
| Call Forwarding Busy Line - Data | LLRCD | TBD | TBD | TBD | TBD | TBD | TBD | TBD | TBD | TBD |
| Call Frwdng Busy Line-Prgrmmbl-Voice Or Voice/Data | M6AVA | TBD | TBD | TBD | TBD | TBD | TBD | TBD | TBD | TBD |
| Call Forwarding Busy Line - Programmable - Data | M6ADF | TBD | TBD | TBD | TBD | TBD | TBD | TBD | TBD | TBD |
| Call Forwarding Don't Answer - Voice Or Voice/Data | LLSCV | TBD | TBD | TBD | TBD | TBD | TBD | TBD | TBD | TBD |
| Call Forwarding Don't Answer - Data | LLUCD | TBD | TBD | TBD | TBD | TBD | TBD | TBD | TBD | TBD |
| Call Frwdng Don't Answer-Prgrmmble Voice Or Voice/Data | M6BVA | TBD | TBD | TBD | TBD | TBD | TBD | TBD | TBD | TBD |
| Call Forwarding Don't Answer - Programmable - Data | M6BDF | TBD | TBD | TBD | TBD | TBD | TBD | TBD | TBD | TBD |
| Call Frwdng Multiple Simultaneous - Voice Or Voice/Data | M6CV5 | TBD | TBD | TBD | TBD | TBD | TBD | TBD | TBD | TBD |
| Call Forwarding Multiple Simultaneous - Data | M6CD5 | TBD | TBD | TBD | TBD | TBD | TBD | TBD | TBD | TBD |
| Conference, Drop, Hold And Transfer | DS1FN | TBD | TBD | TBD | TBD | TBD | TBD | TBD | TBD | TBD |
| Six-Way Conference, Drop, Hold And Transfer | LLY6P | TBD | TBD | TBD | TBD | TBD | TBD | TBD | TBD | TBD |
| Multi-Line Hunt Group - Voice Or Voice/Data | HTG | TBD | TBD | TBD | TBD | TBD | TBD | TBD | TBD | TBD |
| Multi-Line Hunt Group - Data | HTGSD | TBD | TBD | TBD | TBD | TBD | TBD | TBD | TBD | TBD |
| Speed Calling | LLZSU | TBD | TBD | TBD | TBD | TBD | TBD | TBD | TBD | TBD |
| Visual Message Waiting Indicator | LLAVP | TBD | TBD | TBD | TBD | TBD | TBD | TBD | TBD | TBD |
| Audible Message Waiting Indicator | MWW | TBD | TBD | TBD | TBD | TBD | TBD | TBD | TBD | TBD |
| Additional Call Appearance, PDN Or DN | DS1FG | TBD | TBD | TBD | TBD | TBD | TBD | TBD | TBD | TBD |
| Call Tracing | NST | TBD | TBD | TBD | TBD | TBD | TBD | TBD | TBD | TBD |
| Call Return | NSS | TBD | TBD | TBD | TBD | TBD | TBD | TBD | TBD | TBD |
| Preferred Call Forwarding | NCE | TBD | TBD | TBD | TBD | TBD | TBD | TBD | TBD | TBD |
| Call Block | NSY | TBD | TBD | TBD | TBD | TBD | TBD | TBD | TBD | TBD |
| Repeat Dialing | NSQ | TBD | TBD | TBD | TBD | TBD | TBD | TBD | TBD | TBD |
| Per Line Blocking For Agencies/Law Enforcement | NOB | TBD | TBD | TBD | TBD | TBD | TBD | TBD | TBD | TBD |

BELLSOUTH/Accutel RATES NETWORK ELEMENTS
AND OTHER SERVICES
PORTS

| DESCRIPTION | USOC | AL | FL | GA | KY | LA | MS | NC | SC | TN |
|---|--|-----------|-----------|-------------|------------|----------|-------------|-------------|-------------|------------|
| Per Line Blocking For Non-Pub Customers | NOBNN | TBD | TBD | TBD | TBD | TBD | TBD | TBD | TBD | TBD |
| Per Line Blocking For General Public | NOBPC | TBD | TBD | TBD | TBD | TBD | TBD | TBD | TBD | TBD |
| Per Line Blocking For Non-Pub, And Non-Listed Customer | NOBPP | TBD | TBD | TBD | TBD | TBD | TBD | TBD | TBD | TBD |
| Per Line Blocking For Non-Pub Customers | NOBNP | TBD | TBD | TBD | TBD | TBD | TBD | TBD | TBD | TBD |
| Per Line Blocking For Non-Pub Customers | NOBNR | TBD | TBD | TBD | TBD | TBD | TBD | TBD | TBD | TBD |
| Call Return Denial Of, Per Activation | BCR | TBD | TBD | TBD | TBD | TBD | TBD | TBD | TBD | TBD |
| Repeat Dialing, Denial Of, Per Activation | BRD | TBD | TBD | TBD | TBD | TBD | TBD | TBD | TBD | TBD |
| Automatic Line/Direct Connect | M6GN9 | TBD | TBD | TBD | TBD | TBD | TBD | TBD | TBD | TBD |
| Make Set Busy | M6MPD | TBD | TBD | TBD | TBD | TBD | TBD | TBD | TBD | TBD |
| Selective Call Acceptance | M6K16 | TBD | TBD | TBD | TBD | TBD | TBD | TBD | TBD | TBD |
| Call Park/Call Retrieve | M6HP6 | TBD | TBD | TBD | TBD | TBD | TBD | TBD | TBD | TBD |
| Call Transfer System Exception | M6QTD | TBD | TBD | TBD | TBD | TBD | TBD | TBD | TBD | TBD |
| Make Set Busy – Intragroup | M6MGD | TBD | TBD | TBD | TBD | TBD | TBD | TBD | TBD | TBD |
| All Customized Code Restrictions | CREX+ | TBD | TBD | TBD | TBD | TBD | TBD | TBD | TBD | TBD |
| Additional Listings | CLT | TBD | TBD | TBD | TBD | TBD | TBD | TBD | TBD | TBD |
| Additional Listing No Rate | FLT | TBD | TBD | TBD | TBD | TBD | TBD | TBD | TBD | TBD |
| Cross Reference Listing | LLT | TBD | TBD | TBD | TBD | TBD | TBD | TBD | TBD | TBD |
| Non-Pub Listing No Rate | NP3 | TBD | TBD | TBD | TBD | TBD | TBD | TBD | TBD | TBD |
| Non-List Listing | NLT | TBD | TBD | TBD | TBD | TBD | TBD | TBD | TBD | TBD |
| Non-List Listing No Rate | NLE | TBD | TBD | TBD | TBD | TBD | TBD | TBD | TBD | TBD |
| Alternate Call Listing | FNA | TBD | TBD | TBD | TBD | TBD | TBD | TBD | TBD | TBD |
| Manual Service Order Charge | SOMAN | TBD | TBD | TBD | TBD | TBD | TBD | TBD | TBD | TBD |
| All Selective Class Of Call Screening | SRG++ | TBD | TBD | TBD | TBD | TBD | TBD | TBD | TBD | TBD |
| | | | | | | | | | | |
| ISDN Message Waiting Indication-Lamp, per month | | \$0.01 | NA | NA | NA | NA | \$0.0105 | \$0.0107 | \$0.0138 | NA |
| NRC | | \$1.03 | NA | NA | NA | NA | \$1.02 | \$1.47 | \$1.47 | NA |
| NRC - Disconnect | | \$0.55 | NA | NA | NA | NA | \$0.5466 | NA | NA | NA |
| ISDN Feature Function Buttons | | NA | NA | NA | NA | NA | NA | NA | | |
| NRC | | \$1.03 | NA | NA | NA | NA | \$1.02 | \$1.51 | \$1.51 | NA |
| NRC - Disconnect | | \$0.55 | NA | NA | NA | NA | \$0.5466 | NA | NA | NA |
| Subsequent Ordering Charge – (per order, per line) | | NA | NA | NA | NA | NA | NA | NA | | |
| NRC - Electronic - 1st | | \$2.88 | NA | NA | NA | NA | \$2.84 | \$5.42 | \$1.36 | NA |
| NRC - Electronic - Add'l | | \$0.96 | NA | NA | NA | NA | \$0.95 | \$0.95 | \$0.71 | NA |
| NRC - Manual - 1st | | \$4.80 | NA | NA | NA | NA | \$4.73 | \$1.89 | \$7.35 | NA |
| NRC - Manual - Add'l | | \$0.96 | NA | NA | NA | NA | \$0.95 | NA | \$0.95 | NA |
| NRC - Disconnect | | \$2.88 | NA | NA | NA | NA | \$2.84 | NA | NA | NA |
| | | | | | | | | | | |
| End Office Switching (Port Usage) | | | | | | | | | | |
| End Office Switching Function, per mou | N/A | \$0.0018 | \$0.0175 | \$0.0016333 | \$0.002562 | \$0.0021 | \$0.0023771 | \$0.0017000 | \$0.0019295 | \$0.0019 |
| End Office Switching Function, add'l mou (5) | N/A | NA | \$0.005 | NA | NA | NA | NA | NA | NA | NA |
| End Office Interoffice Trunk Port—Shared, per mou | N/A | \$0.0002 | NA | \$0.0001564 | NA | \$0.0002 | \$0.0001927 | NA | \$0.0002581 | NA |
| | | | | | | | | | | |
| Tandem Switching (Port Usage) (Local or Access Tandem) | | | | | | | | | | |
| Tandem Switching Function per mou | N/A | \$0.00063 | \$0.00029 | \$0.0006757 | \$0.001096 | \$0.0008 | \$0.0007834 | \$0.0009 | \$0.0006843 | \$0.000676 |
| Tandem Interoffice Trunk Port - Shared per mou | | | NA | \$0.0002126 | NA | \$0.0003 | \$0.0002834 | NA | \$0.0004034 | NA |
| | | | | | | | | | | |
| NOTES: | | | | | | | | | | |
| 1 | Port rate includes all available features. | | | | | | | | | |
| 2 | Transmission/usage charges associated with POTS circuit switched usage will also apply to circuit switched voice and/or circuit switched data transmission by B-Channels associated with 2-wire ISDN ports. | | | | | | | | | |
| 3 | Access to B Channel or D Channel Packet capabilities will be available only through BFR/New Business Request Process. Rates for the packet capabilities will be determined via the Bona Fide Request/New Business Request Process. | | | | | | | | | |

BELLSOUTH/Accutel RATES NETWORK ELEMENTS
 AND OTHER SERVICES
 PORTS

| DESCRIPTION | | | USOC | AL | FL | GA | KY | LA | MS | NC | SC | TN |
|-------------|---|---|------|----|----|----|----|----|----|----|----|----|
| | 4 | This rate element is for those states which have a specific rate for User Profile per B Channel. | | | | | | | | | | |
| | 5 | This rate element is for use in those states with a different rate for additional minutes of use. | | | | | | | | | | |

Attachment 3
Network Interconnection

TABLE OF CONTENTS

1. Network Interconnection.....3

2. Interconnection Trunking Architectures7

3. Network Design And Management For Interconnection13

4. Local Dialing Parity15

5. Interconnection Compensation15

6. Frame Relay Service22

7. Remote Access Server (RAS) Network Interconnection.....25

8. Operational Support Systems (OSS) Rates.....28

Rates.....Exhibit A

Basic Architecture.....Exhibit B

One-Way Trunking Architecture.....Exhibit C

Two-Way Trunking Architecture.....Exhibit D

Supergroup Architecture.....Exhibit E

The Parties shall provide interconnection with each other's networks for the transmission and routing of telephone exchange service (local) and exchange access (intraLATA toll and switched access) on the following terms:

1. Network Interconnection

All negotiated rates, terms and conditions set forth in this Attachment pertain to the provision of network interconnection.

- 1.1 Interconnection is available to both Parties through: (1) delivery of a Party's facilities to a collocation arrangement or Fiber Meet arrangement as defined in this Agreement; or (2) interconnection via purchase of facilities from the other Party. Interconnection may be provided by the Parties at any other technically feasible point. Requests to BellSouth for interconnection at other points may be made through the Bona Fide Request/New Business Request process set out in General Terms and Conditions.
- 1.2 Accutel must establish, at a minimum, a single Point of Presence, Interface, and Interconnection with BellSouth within the LATA for the delivery of Accutel's originated local and intraLATA toll traffic and for the receipt and delivery of transit traffic. If Accutel chooses to interconnect at a single Point of Interconnection within a LATA, the interconnection must be at a BellSouth Access Tandem. Furthermore, Accutel must establish Points of Interconnection at all BellSouth access and local tandems where Accutel NXXs are "homed." A "Homing" arrangement is defined by a "Final" Trunk Group between the BellSouth Tandem and Accutel End Office switch. A "Final" Trunk Group is the last choice telecommunications path between the Tandem and End Office switch. It is Accutel's responsibility to enter its own NPA/NXX access and/or local tandem "homing" arrangements into the national Local Exchange Routing Guide (LERG).
- 1.2.1 In order for Accutel to home its NPA/NXX(s) on a BellSouth Tandem, Accutel's NPA/NXX(s) must be assigned to an Exchange Rate Center Area served by that BellSouth Tandem and as specified by BellSouth. The specified association between BellSouth Tandems and Exchange Rate Center Areas is defined in the Local Exchange Routing Guide (LERG) as it is revised from time to time.
- 1.3 A **Point of Presence (POP)** is the physical location (a structure where the environmental, power, air conditioning, etc. specifications for a Party's terminating equipment can be met) at which a Party establishes itself for obtaining

access to the other Party's network. The POP is the physical location within which the Point of Interfaces occur.

- 1.4 A **Point of Interface** is the physical telecommunications interface between BellSouth and Accutel's interconnection functions. It establishes the technical interface and point of operational responsibility. The primary function of the Point of Interface is to serve as the terminus for the interconnection service. The Point of Interface has the following main characteristics:
1. It is a cross-connect point to allow connection, disconnection, transfer or restoration of service.
 2. It is a point where BellSouth and Accutel can verify and maintain specific performance objectives.
 3. It is specified according to the interface offered in the tariff or local interconnection agreement (for example: for DS1 service the FCC # 1 tariff specifies that the interface meets the technical specifications detailed in Generic Requirements GR-342-CORE, Issue 1, December 1995.)
 4. The Parties provide their own equipment (CPE) to interface with the DS0, DS1, DS3, STS1 and/or OCn circuits on the customer premises.
- 1.5 The **Point of Interconnection** is the point at which the originating Party delivers its originated traffic to the terminating Party's first point of switching on the terminating Party's common (shared) network for call transport and termination. Points of Interconnection are available at either Access Tandems, Local Tandems, or End Offices as described in this Agreement. Accutel's requested Point of Interconnection will also be used for the receipt and delivery of transit traffic at BellSouth Access and Local Tandems. Points of Interconnection established at the BellSouth Local Tandem apply only to Accutel-originated local and local originating and terminating transit traffic.
- 1.6 Accutel, at its option, shall establish Points of Presence and Points of Interface for the delivery of its originated local and intraLATA toll traffic to BellSouth. The Point of Interface may not necessarily be established at the Point of Interconnection.
- 1.7 BellSouth, at its option, shall designate the Points of Presence and Points of Interface for the delivery of its originated local and intraLATA toll traffic to Accutel for call transport and termination by Accutel. The Point of Interface may not necessarily be established at the Point of Interconnection.
- 1.8 Interconnection via Leased Dedicated Transport Facilities
- 1.8.1 The originating Party may purchase Local Channel facilities from the terminating Party from the originating Party's specified Point of Interface to its serving wire

center. The Parties agree that charges for such Local Channel facilities are as set forth in Exhibit A to this Attachment. If a nonrecurring or recurring rate is not identified in Exhibit A for a Local Channel, the rate shall be as set forth in the appropriate BellSouth intrastate or interstate tariff for switched access services.

- 1.8.2 Additionally, either Party may purchase Dedicated Interoffice Transport facilities from its designated serving wire center to the other Party's first point of switching. The Parties agree that charges for such Dedicated Transport facilities are as set forth in Exhibit A to this Attachment. If a nonrecurring or recurring rate is not identified in Exhibit A for Dedicated Transport, the rate shall be as set forth in the appropriate BellSouth intrastate or interstate tariff for switched access services.
- 1.8.3 For the purposes of this Attachment, **Local Channel** is defined as a switch transport facility between a Party's Point of Presence and its designated serving wire center.
- 1.8.4 For the purposes of this Attachment, **Serving Wire Center** is defined as the wire center owned by one Party from which the other Party would normally obtain dial tone for its Point of Presence.
- 1.8.5 For the purposes of this Attachment, **Dedicated Interoffice Transport** is defined as a switch transport facility between a Party's designated serving wire center and the first point of switching on the other Party's common (shared) network.
- 1.9 Fiber Meet
- 1.9.1 **Fiber Meet** is an interconnection arrangement whereby the Parties physically interconnect their networks via an optical fiber interface (as opposed to an electrical interface) at which one Party's facilities, provisioning, and maintenance responsibility begins and the other Party's responsibility ends (i.e. Point of Interface).
- 1.9.2 If Accutel elects to interconnect with BellSouth pursuant to a Fiber Meet, Accutel and BellSouth shall jointly engineer and operate a Synchronous Optical Network ("SONET") transmission system by which they shall interconnect their transmission and routing of local traffic via a Local Channel facility at either the DS0, DS1, or DS3 level. The Parties shall work jointly to determine the specific transmission system. However, Accutel's SONET transmission must be compatible with BellSouth's equipment in the BellSouth Interconnection Wire Center. The same vendor's equipment and software version must be used, and the Data Communications Channel (DCC) must be turned off.

- 1.9.3 BellSouth shall, wholly at its own expense, procure, install and maintain the agreed upon SONET equipment in the BellSouth Interconnection Wire Center ("BIWC").
- 1.9.4 Accutel shall, wholly at its own expense, procure, install and maintain the agreed upon SONET equipment in the Accutel Interconnection Wire Center ("Accutel Wire Center").
- 1.9.5 BellSouth shall designate a Point of Interface outside the BIWC as a Fiber Meet point, and shall make all necessary preparations to receive, and to allow and enable Accutel to deliver, fiber optic facilities into the Point of Interface with sufficient spare length to reach the fusion splice point at the Point of Interface. BellSouth shall, wholly at its own expense, procure, install, and maintain the fusion splicing point in the Point of Interface. A Common Language Location Identification ("CLLI") code will be established for each Point of Interface. The code established must be a building type code. All orders shall originate from the Point of Interface (i.e., Point of Interface to Accutel, Point of Interface to BellSouth).
- 1.9.6 Accutel shall deliver and maintain such strands wholly at its own expense. Upon verbal request by Accutel, BellSouth shall allow Accutel access to the Fiber Meet entry point for maintenance purposes as promptly as possible.
- 1.9.7 The Parties shall jointly coordinate and undertake maintenance of the SONET transmission system. Each Party shall be responsible for maintaining the components of their own SONET transmission system.
- 1.9.8 Each Party will be responsible for (i) providing its own transport facilities to the Fiber Meet, and (ii) the cost to build-out its facilities to such Fiber Meet.
- 1.9.9 Neither Party shall charge the other for its portion of the Fiber Meet facility used exclusively for non-transit local traffic (i.e. the Local Channel). Charges incurred for other services including dedicated transport facilities to the Point of Interconnection if applicable will apply. Charges for Switched and Special Access Services shall be billed in accordance with the applicable Access Service tariff (i.e. the BellSouth Interstate or Intrastate Access Services Tariff).

2. Interconnection Trunking Architectures

- 2.1 BellSouth and Accutel shall establish interconnecting trunk groups and trunking configurations between networks including the establishment of one-way or two-way trunks in accordance with the following provisions set forth in this Agreement.
- 2.2 Any Accutel interconnection request that deviates from the standard trunking architectures as described in this Agreement that affects traffic delivered to Accutel from a BellSouth switch that requires special BellSouth switch translations and other network modifications will require Accutel to submit a Bona Fide Request/New Business Request via the Bona Fide Request/New Business Request Process set forth in General Terms and Conditions.
- 2.3 All terms and conditions, as well as charges, both non-recurring and recurring, associated with interconnecting trunk groups between BellSouth and Accutel not addressed in Exhibit A shall be as set forth in the appropriate BellSouth intrastate or interstate tariff for switched access services. For two-way trunking that carries the Parties' local and intraLATA toll traffic only, excluding trunking that carries Transit Traffic, the Parties shall be compensated for the nonrecurring and recurring charges for trunks and DS1 facilities at 50% of the applicable contractual or tariff rates for the services provided by each Party. Accutel shall be responsible for ordering and paying for any two-way trunks carrying transit traffic. Furthermore, Accutel shall be responsible for the compensation for two-way trunking that it orders for its local and intraLATA toll but utilizes unidirectionally.
- 2.4 Switched Access traffic will be delivered to and by IXCs based on Accutel's NXX Access Tandem homing arrangement as specified by Accutel in the national Local Exchange Routing Guide (LERG).
- 2.5 All trunk groups will be provisioned as Signaling System 7 (SS7) capable where technically feasible. If SS7 is not technically feasible multi-frequency (MF) protocol signaling shall be used.
- 2.6 In cases where Accutel is also an IXC, the IXC's Feature Group D (FG D) trunking must remain separate from the local interconnection trunking.
- 2.7 Two-Way Trunking Requirements:
- The following requirements apply to two-way trunking that carries the Parties local and intraLATA toll.
1. Accutel will initiate two-way trunk request. The use of and quantity of two way trunking shall be mutually agreed upon and shall be jointly provisioned.

2. The Point of Interface will be located at a mutually agreed location or point designated by BellSouth. If an agreement cannot be reached on the location of the Point of Interface, each company will establish its own Point of Interface and order one-way trunks.
3. BellSouth and Accutel will jointly review the trunk forecast, as needed, on a periodic basis, or at least every six (6) months.
4. Accutel will order trunks using access service request (ASR) process in place for Local Interconnection after the joint planning meeting takes place between BellSouth and Accutel.
5. BellSouth and Accutel must agree on traffic engineering parameters that will be used in the engineering of the trunk groups.
6. BellSouth and Accutel must agree to meet and resolve service-affecting situations in a timely manner. This contact will normally be made through the Account Team.
7. Establishing a two-way trunk group does not preclude BellSouth or Accutel from adding one-way trunk groups within the same Local Calling Area.
8. For technical reasons, two-way trunk groups may not be ordered to a BellSouth DMS100 Local Tandem or DMS100 End Office.
9. BellSouth will be responsible for the installation and maintenance of its trunks and facilities to the mutually agreed Point of Interface, and Accutel will be responsible for the installation and maintenance of its trunks and facilities to the mutually agreed to Point of Interface.

2.8 BellSouth Access Tandem Interconnection Architectures

2.8.1 BellSouth Access Tandem Interconnection provides intratandem access to subtending end offices. BellSouth Multiple Tandem Access (MTA), described later in this Agreement, may be ordered using any of the following access tandem architectures.

2.8.2 Basic Architecture

2.8.2.1 In this architecture, Accutel's originating Local and IntraLATA Toll and originating and terminating Transit Traffic is transported on a single two-way trunk group between Accutel and BellSouth access tandem(s) within a LATA. This group carries intratandem Transit Traffic between Accutel and Independent Companies, Interexchange Carriers, other CLECs and other network providers with which Accutel desires interconnection and has the proper contractual

arrangements. This group also carries Accutel originated intertandem traffic transiting a single BellSouth access tandem destined to third party tandems such as an Independent Company tandem or other CLEC tandem. BellSouth originated Local and IntraLATA Toll traffic is transported on a single one-way trunk group terminating to Accutel. The Two-way Trunking Requirements described in this Attachment do not apply to this architecture. Other trunk groups for operator services, directory assistance, emergency services and intercept may be established if required. The LERG should be referenced for current routing and tandem serving arrangements. The Basic Architecture is illustrated in Exhibit B.

2.8.3 One-Way Trunking Architecture

2.8.3.1 In this architecture, the Parties interconnect using two one-way trunk groups. One one-way trunk group carries Accutel-originated local and intraLATA toll traffic destined for BellSouth end-users. The other one-way trunk group carries BellSouth-originated local and intraLATA toll traffic destined for Accutel end-users. A third two-way trunk group is established for Accutel's originating and terminating Transit Traffic. This group carries intratandem Transit Traffic between Accutel and Independent Companies, Interexchange Carriers, other CLECs and other network providers with which Accutel desires interconnection and has the proper contractual arrangements. This group also carries Accutel originated intertandem traffic transiting a single BellSouth access tandem destined to third party tandems such as an Independent Company tandem or other CLEC tandem. Other trunk groups for operator services, directory assistance, emergency services and intercept may be established if required. The LERG should be referenced for current routing and tandem serving arrangements. The One-Way Trunking Architecture is illustrated in Exhibit C.

2.8.4 Two-Way Trunking Architecture

2.8.4.1 The Two-Way Trunking Architecture establishes one two-way trunk group to carry local and intraLATA toll traffic between Accutel and BellSouth. To establish this architecture, Accutel and BellSouth must meet the Two-way Trunking Requirements described in this Attachment. In addition, a two-way transit trunk group must be established for Accutel's originating and terminating Transit Traffic. This group carries intratandem Transit Traffic between Accutel and Independent Companies, Interexchange Carriers, other CLECs and other network providers with which Accutel desires interconnection and has the proper contractual arrangements. This group also carries Accutel originated intertandem traffic transiting a single BellSouth access tandem destined to third party tandems such as an Independent Company tandem or other CLEC tandem. Other trunk groups for operator services, directory assistance, emergency services and intercept may be established if required. The LERG should be referenced for current routing and tandem serving arrangements. The Two-Way Trunking Architecture is illustrated in Exhibit D.

2.8.5 Supergroup Architecture

2.8.5.1 In the Supergroup Architecture, the Parties Local and IntraLATA Toll and Accutel's Transit Traffic is exchanged on a single two-way trunk group between Accutel and BellSouth. To establish this architecture, Accutel and BellSouth must meet the Two-way Trunking Requirements described in this Attachment. This group carries intratandem Transit Traffic between Accutel and Independent Companies, Interexchange Carriers, other CLECs and other network providers with which Accutel desires interconnection and has the proper contractual arrangements. This group also carries Accutel originated intertandem traffic transiting a single BellSouth access tandem destined to third party tandems such as an Independent Company tandem or other CLEC tandem. Other trunk groups for operator services, directory assistance, emergency services and intercept may be established if required. The LERG should be referenced for current routing and tandem serving arrangements. The Supergroup Architecture is illustrated in Exhibit E.

2.9 BellSouth **Multiple Tandem Access (MTA)** provides for LATA wide BellSouth transport and termination of Accutel-originated intraLATA toll and local traffic, that is transported by BellSouth, by establishing a Point of Interconnection at a BellSouth access tandem with routing through multiple BellSouth access tandems as required. However, Accutel must still establish Points of Interconnection at all BellSouth access tandems where Accutel NXXs are "homed". If Accutel does not have NXXs homed at a BellSouth access tandem within a LATA and elects not to establish Points of Interconnection at such BellSouth access tandem, Accutel can order MTA in each BellSouth access tandem within the LATA where it does have a Point of Interconnection and BellSouth will terminate traffic to end-users served through those BellSouth access tandems where Accutel does not have a Point of Interconnection. MTA shall be provisioned in accordance with BellSouth's Ordering Guidelines.

2.10 MTA does not include switched access traffic that transits the BellSouth network to an Interexchange Carrier (IXC). Switched Access traffic will be delivered to and by IXCs based on Accutel's NXX Access Tandem homing arrangement as specified by Accutel in the national Local Exchange Routing Guide (LERG).

2.11 For Accutel-originated local and intraLATA toll traffic that BellSouth transports but is destined for termination by a third Party network (transit traffic), BellSouth MTA is required if multiple BellSouth access tandems are necessary to deliver the call to the third Party network.

2.12 The Parties agree that compensation for the BellSouth transport and/or termination of Accutel's local and intraLATA toll traffic will be billed on a statewide basis at the applicable rates specified in Exhibit A to this Attachment

for local traffic and at the BellSouth intrastate switched access tariff rates for intraLATA toll traffic.

- 2.13 To the extent Accutel does not purchase MTA in a calling area that has multiple access tandems serving the calling area as defined by BellSouth, Accutel must establish Points of Interconnection to every access tandem in the calling area in order to serve the entire calling area. To the extent Accutel does not purchase MTA and provides intraLATA toll service to its customers, it may be necessary for it to establish a Point of Interconnection to additional BellSouth access tandems that serve end offices outside the local calling area. To the extent Accutel routes its traffic in such a way that utilizes BellSouth's MTA service without properly ordering MTA service, Accutel agrees to pay BellSouth the associated transport and termination charges.
- 2.14 BellSouth End Office Interconnection
- 2.14.1 Accutel may establish interconnection at BellSouth end offices for the delivery of Accutel originated local and intralata toll traffic destined for BellSouth end-users served by that end-office.
- 2.14.2 When end office trunking is ordered by BellSouth to deliver BellSouth originated traffic to Accutel, BellSouth will provide overflow routing through BellSouth tandems consistent with how BellSouth overflows its traffic. The overflow will be based on the homing arrangements Accutel displays in the LERG. Likewise, if Accutel interconnects to a BellSouth end office for delivery of Accutel originated traffic, Accutel will overflow the traffic through the BellSouth tandems based on the BellSouth homing arrangements shown in the LERG.
- 2.14.3 The Parties shall utilize direct end office trunking under the following conditions:
- (1) Tandem Exhaust - If a tandem through which the Parties are interconnected is unable to, or is forecasted to be unable to support additional traffic loads for any period of time, the Parties will mutually agree on an end office trunking plan that will alleviate the tandem capacity shortage and ensure completion of traffic between Accutel and BellSouth's subscribers.
 - (2) Traffic Volume -To the extent either Party has the capability to measure the amount of traffic between a Accutel switching center and a BellSouth end office, either Party shall install and retain direct end office trunking sufficient to handle actual or reasonably forecasted traffic volumes, whichever is greater, between a Accutel switching center and a BellSouth end office where the traffic exceeds or is forecasted to exceed a single DS1 of local traffic per month. Either Party will install additional capacity between such points when overflow traffic between Accutel's switching center and BellSouth's end office exceeds or is forecasted to exceed a single DS1 of local traffic per month. In the case of one way trunking, additional trunking shall only be

required by the Party whose trunking has achieved the preceding usage threshold.

- (3) Mutual Agreement - The Parties may install direct end office trunking upon mutual agreement in the absence of conditions (1) or (2) above and agreement will not unreasonably be withheld.

2.15 Local Tandem Interconnection.

- 2.15.1 This interconnection arrangement allows Accutel to establish a Point of Interconnection at BellSouth local tandems for: (1) the delivery of Accutel-originated local traffic transported and terminated by BellSouth to BellSouth end offices within the local calling area as defined in BellSouth's General Subscriber Services Tariff (GSST), section A3 served by those BellSouth local tandems, and (2) for local transit traffic transported by BellSouth for third party network providers who have also established Points of Interconnection at those BellSouth local tandems.
- 2.15.2 When a specified local calling area is served by more than one BellSouth local tandem, Accutel must designate a "home" local tandem for each of its assigned NPA/NXXs and establish trunk connections to such local tandems. Additionally, Accutel may choose to establish a Point of Interconnection at the BellSouth local tandems where it has no codes homing but is not required to do so. Accutel may deliver local traffic to a "home" BellSouth local tandem that is destined for other BellSouth or third party network provider end offices subtending other BellSouth local tandems in the same local calling area where Accutel does not choose to establish a Point of Interconnection. It is Accutel's responsibility to enter its own NPA/NXX local tandem homing arrangements into the Local Exchange Routing Guide (LERG) either directly or via a vendor in order for other third party network providers to determine appropriate traffic routing to Accutel's codes. Likewise, Accutel shall obtain its routing information from the LERG.
- 2.15.3 Notwithstanding establishing Points of Interconnection to BellSouth's local tandems, Accutel must also establish Points of Interconnection to BellSouth access tandems within the LATA on which Accutel has NPA/NXXs homed for the delivery of Interexchange Carrier Switched Access (SWA) and toll traffic, and traffic to Type 2A CMRS connections located at the access tandems. BellSouth shall not switch SWA traffic through more than one BellSouth access tandem. SWA, Type 2A CMRS or toll traffic routed to the local tandem in error will not be backhauled to the BellSouth access tandem for completion. (Type 2A CMRS interconnection is defined in BellSouth's A35 General Subscriber Services Tariff.)

- 2.15.4 BellSouth's provisioning of local tandem interconnection assumes that Accutel has executed the necessary local interconnection agreements with the other third party network providers subtending those local tandems as required by the Act.

3. Network Design And Management For Interconnection

- 3.1 Network Management and Changes. Both Parties will work cooperatively with each other to install and maintain the most effective and reliable interconnected telecommunications networks, including but not limited to, the exchange of toll-free maintenance contact numbers and escalation procedures. Both Parties agree to provide public notice of changes in the information necessary for the transmission and routing of services using its local exchange facilities or networks, as well as of any other changes that would affect the interoperability of those facilities and networks.
- 3.2 Interconnection Technical Standards. The interconnection of all networks will be based upon accepted industry/national guidelines for transmission standards and traffic blocking criteria. Interconnecting facilities shall conform, at a minimum, to the telecommunications industry standard of DS-1 pursuant to Bellcore Standard No. TR-NWT-00499. Signal transfer point, Signaling System 7 ("SS7") connectivity is required at each interconnection point. BellSouth will provide out-of-band signaling using Common Channel Signaling Access Capability where technically and economically feasible, in accordance with the technical specifications set forth in the BellSouth Guidelines to Technical Publication, TR-TSV-000905. Facilities of each Party shall provide the necessary on-hook, off-hook answer and disconnect supervision and shall hand off calling number ID (Calling Party Number) when technically feasible.
- 3.3 Quality of Interconnection. The local interconnection for the transmission and routing of telephone exchange service and exchange access that each Party provides to each other will be at least equal in quality to what it provides to itself and any subsidiary or affiliate, where technically feasible, or to any other Party to which each Party provides local interconnection.
- 3.4 Network Management Controls. Both Parties will work cooperatively with each other to apply sound network management principles by invoking appropriate network management controls (e.g., call gapping) to alleviate or prevent network congestion.
- 3.5 Common Channel Signaling. Both Parties will provide LEC-to-LEC Common Channel Signaling ("CCS") to each other, where available, in conjunction with all traffic in order to enable full interoperability of CLASS features and functions except for call return. All CCS signaling parameters will be provided, including automatic number identification ("ANI"), originating line information ("OLI")

calling company category, charge number, etc. All privacy indicators will be honored, and each Party will cooperate with each other on the exchange of Transactional Capabilities Application Part (“TCAP”) messages to facilitate full interoperability of CCS-based features between the respective networks. Neither Party shall alter the CCS parameters, or be a party to altering such parameters, or knowingly pass CCS parameters that have been altered in order to circumvent appropriate interconnection charges.

- 3.6 Signaling Call Information. BellSouth and Accutel will send and receive 10 digits for local traffic. Additionally, BellSouth and Accutel will exchange the proper call information, i.e. originated call company number and destination call company number, CIC, and OZZ, including all proper translations for routing between networks and any information necessary for billing.
- 3.7 Forecasting Requirements. The Parties shall exchange technical descriptions and forecasts of their interconnection and traffic requirements in sufficient detail necessary to establish the interconnections required to assure traffic completion to and from all customers in their respective designated service areas. In order for the Parties to provide as accurate reciprocal trunking forecasts as possible to each other, each Party must timely inform the other Party of any known or anticipated events that may affect reciprocal trunking requirements. If either Party is unable to provide such information, The Parties shall provide reciprocal trunking forecasts based only on existing trunk group growth and annual estimated percentage of subscriber line growth.
- 3.7.1 Both Parties shall meet every six months or at otherwise mutually agreeable intervals for the purpose of exchanging non-binding forecasts of its traffic and volume requirements for the interconnection and network elements provided under this Agreement, in the form and in such detail as agreed by the Parties. The Parties agree that each forecast provided under this Section shall be deemed “Confidential Information” in the General Terms and Conditions – Part A of this Agreement.
- 3.7.2 The trunk forecast should include trunk requirements for all of the interconnecting trunk groups for the current year plus the next two future years. The forecast meeting between the two companies may be a face-to-face meeting, video conference or audio conference. It may be held regionally or geographically. Ideally, these forecast meetings should be held at least semi-annually, or more often if the forecast is no longer usable. Updates to a forecast or portions thereof should be made whenever the Party providing the forecast deems that the latest trunk requirements exceed the original quantities by 24 trunks or 10%, whichever is greater. Either Party should notify the other Party if they have measurements indicating that a trunk group is exceeding its designed call carrying capacity and is

impacting other trunk groups in the network. Also, either Party should notify the other Party if they know of situations in which the traffic load is expected to increase significantly and thus affect the interconnecting trunk requirements as well as the trunk requirements within the other Party's network. The Parties agree that the forecast information provided under this Section shall be deemed "Confidential Information" as set forth in the General Terms and Conditions of this Agreement.

- 3.7.3 For a non-binding trunk forecast, agreement between the two Parties on the trunk quantities and the timeframe of those trunks does not imply any liability for failure to perform if the trunks are not available for use at the required time.

4. Local Dialing Parity

- 4.1 BellSouth and Accutel shall provide local and toll dialing parity to each other with no unreasonable dialing delays. Dialing parity shall be provided for all originating telecommunications services that require dialing to route a call. BellSouth and Accutel shall permit similarly situated telephone exchange service end users to dial the same number of digits to make a local telephone call notwithstanding the identity of the end user's or the called party's telecommunications service provider.

5. Interconnection Compensation

5.1 Compensation for Call Transportation and Termination for Local Traffic

- 5.1.1 Local Traffic is defined as any telephone call that originates in one exchange and terminates in either the same exchange, or other local calling area associated with the originating exchange as defined and specified in Section A3 of BellSouth's General Subscriber Service Tariff. As clarification of this definition and for reciprocal transport and termination compensation, Local Traffic does not include traffic that originates from or is directed to or through an enhanced service provider or information service provider. As further clarification, Local Traffic does not include calls that do not transmit information of the user's choosing. In any event, neither Party will pay reciprocal compensation to the other if the "traffic" to which such reciprocal compensation would otherwise apply was generated, in whole or in part, for the purpose of creating an obligation on the part of the originating carrier to pay reciprocal compensation for such traffic.

- 5.1.2 The Parties shall provide for the mutual and reciprocal recovery of the costs for the elemental functions performed in transporting and terminating local traffic on each other's network. The Parties agree that charges for transport and termination of calls on its respective networks are as set forth in Exhibit A to this Attachment.

- 5.1.3 For the purposes of this Attachment, **Common (Shared) Transport** is defined as the transport of the originating Party's traffic by the terminating Party over the terminating Party's common (shared) facilities between the terminating Party's tandem switch and end office switch and/or between the terminating Party's tandem switches.
- 5.1.4 For the purposes of this Attachment, **Tandem Switching** is defined as the function that establishes a communications path between two switching offices through a third switching office (the Tandem switch).
- 5.1.5 For the purposes of this Attachment, **End Office Switching** is defined as the function that establishes a communications path between the trunk side and line side of the End Office switch.
- 5.1.6 If Accutel utilizes a switch outside the LATA and BellSouth chooses to purchase dedicated or common (shared) transport from Accutel for transport and termination of BellSouth originated traffic, BellSouth will pay Accutel no more than the airline miles between the V & H coordinates of the Point of Interface within the LATA where Accutel receives the BellSouth-originated traffic and the V & H coordinates of the BellSouth Exchange Rate Center Area that the Accutel terminating NPA/NXX is associated in the same LATA. For these situations, BellSouth will compensate Accutel at either dedicated or common (shared) transport rates specified in Exhibit A and based upon the functions provided by Accutel as defined in this Attachment.
- 5.1.7 Neither Party shall represent access services traffic (e.g. Internet Protocol (IP) Telephony, FGA, FGB, etc.) as Local Traffic for purposes of payment of reciprocal compensation.
- 5.1.8 The Parties agree that the jurisdiction of a call is determined by its originating and terminating (end-to-end) points. For the purpose of delivery of BellSouth originating traffic to Accutel, BellSouth will pay to Accutel reciprocal compensation for Local Traffic terminating to Accutel end users physically located in the BellSouth rate center to which the Accutel end user's NPA/NXX is assigned. If Accutel assigns NPA/NXXs to specific BellSouth rate centers and assigns numbers from those NPA/NXXs to Accutel end users physically located outside of the rate center to which the NPA/NXX is assigned, BellSouth traffic originating from within the BellSouth rate center where the NPA/NXX is assigned and terminating to a Accutel customer physically located outside of such rate center, and at a location toll to the BellSouth originating rate center, shall not be deemed Local Traffic, and no compensation from BellSouth to Accutel shall be due therefor. Further, Accutel agrees to identify such traffic to BellSouth and to compensate BellSouth for originating and transporting such traffic to Accutel at BellSouth's tariffed intrastate switched access rates. In addition, Accutel should not use NPA/NXXs to collect BellSouth originated local or intraLATA toll traffic

and for delivery to a point outside the LATA from where the originating NPA/NXX rate center resides.

- 5.1.9 If Accutel does not identify such traffic to BellSouth, to the best of BellSouth's ability BellSouth will determine which whole Accutel NPA/NXXs on which to charge the applicable rates for originating intrastate network access service as reflected in BellSouth's Intrastate Access Service Tariff. BellSouth shall make appropriate billing adjustments if Accutel can provide sufficient information for BellSouth to determine whether said traffic is local or toll.
- 5.2 Percent Local Use. Each Party will report to the other a Percentage Local Usage ("PLU"). The application of the PLU will determine the amount of local minutes to be billed to the other Party. For purposes of developing the PLU, each Party shall consider every local call and every long distance call, excluding intermediary traffic. By the first of January, April, July and October of each year, each Party shall provide a positive report updating the PLU. Requirements associated with PLU calculation and reporting shall be as set forth in BellSouth's Percent Local Use Reporting Guidebook, as it is amended from time to time. Notwithstanding the foregoing, where the terminating Party has message recording technology that identifies the jurisdiction of traffic terminated as defined in this Agreement, such information, in lieu of the PLU factor, shall at the terminating Party's option be utilized to determine the appropriate local usage compensation to be paid.
- 5.3 Percentage Interstate Usage. In the case where Accutel desires to terminate its local traffic over or co-mingled on its switched access Feature Group D trunks, Accutel will be required to provide a projected Percentage Interstate Usage ("PIU") to BellSouth. All jurisdictional report requirements, rules and regulations for Interexchange Carriers specified in BellSouth's Intrastate Access Services Tariff will apply to Accutel. After interstate and intrastate traffic percentages have been determined by use of PIU procedures, the PLU factor will be used for application and billing of local interconnection. Notwithstanding the foregoing, where the terminating Party has message recording technology that identifies the jurisdiction of traffic terminated as defined in this Agreement, such information, in lieu of the PIU and PLU factor, shall at the terminating Party's option be utilized to determine the appropriate local usage compensation to be paid.
- 5.4 Audits. On thirty (30) days written notice, each Party must provide the other the ability and opportunity to conduct an annual audit to ensure the proper billing of traffic. BellSouth and Accutel shall retain records of call detail for a minimum of nine months from which a PLU and/or PIU can be ascertained. The audit shall be accomplished during normal business hours at an office designated by the Party being audited. Audit requests shall not be submitted more frequently than one (1) time per calendar year. Audits shall be performed by a mutually acceptable independent auditors paid for by the Party requesting the audit. The PLU and/or PIU shall be adjusted based upon the audit results and shall apply to the usage for

the quarter the audit was completed, to the usage for the quarter prior to the completion of the audit, and to the usage for the two quarters following the completion of the audit. If, as a result of an audit, either Party is found to have overstated the PLU and/or PIU by twenty percentage points (20%) or more, that Party shall reimburse the auditing Party for the cost of the audit.

5.5 Rate True-up

This section applies only to North Carolina and Tennessee and other rates that are interim or expressly subject to true-up under this attachment.

- 5.5.1 The interim prices for Unbundled Network Elements and Other Services and Local Interconnection shall be subject to true-up according to the following procedures:
- 5.5.2 The interim prices shall be true-up, either up or down, based on final prices determined either by further agreement between the Parties, or by a final order (including any appeals) of the Commission which final order meets the criteria of (3) below. The Parties shall implement the true-up by comparing the actual volumes and demand for each item, together with interim prices for each item, with the final prices determined for each item. Each Party shall keep its own records upon which the true-up can be based, and any final payment from one Party to the other shall be in an amount agreed upon by the Parties based on such records. In the event of any disagreement as between the records or the Parties regarding the amount of such true-up, the Parties agree that the body having jurisdiction over the matter shall be called upon to resolve such differences, or the Parties may mutually agree to submit the matter to the Dispute Resolution process in accordance with the provisions of Section 12 of the General Terms and Conditions and Attachment 1 of the Agreement.
- 5.5.3 The Parties may continue to negotiate toward final prices, but in the event that no such agreement is reached within nine (9) months, either Party may petition the Commission to resolve such disputes and to determine final prices for each item. Alternatively, upon mutual agreement, the Parties may submit the matter to the Dispute Resolution Process set forth in the General Terms and Conditions of the Agreement, so long as they file the resulting Agreement with the Commission as a “negotiated agreement” under Section 252(e) of the Act.
- 5.5.4 A final order of this Commission that forms the basis of a true-up shall be the final order as to prices based on appropriate cost studies, or potentially may be a final order in any other Commission proceeding which meets the following criteria:
- (a) BellSouth and CLEC is entitled to be a full Party to the proceeding;

- (b) It shall apply the provisions of the federal Telecommunications Act of 1996, including but not limited to Section 252(d)(1) (which contains pricing standards) and all then-effective implementing rules and regulations; and,
- (c) It shall include as an issue the geographic deaveraging of unbundled element prices, which deaveraged prices, if any are required by said final order, shall form the basis of any true-up.

5.6 Compensation for IntraLATA Toll Traffic

5.6.1 IntraLATA Toll Traffic. IntraLATA Toll Traffic is defined as any telephone call that is not local or switched access per this Agreement.

5.6.2 Compensation for intraLATA toll traffic. For terminating its intraLATA toll traffic on the other company's network, the originating Party will pay the terminating Party BellSouth's current intrastate or interstate, whichever is appropriate, terminating switched access tariff rates as set forth in BellSouth's Intrastate or Interstate Access Services Tariff. The appropriate charges will be determined by the routing of the call. If Accutel is the BellSouth end user's presubscribed interexchange carrier or if the BellSouth end user uses Accutel as an interexchange carrier on a 101XXXX basis, BellSouth will charge Accutel the appropriate BellSouth tariff charges for originating switched access services.

5.6.3 Compensation for 8XX Traffic. Each Party shall compensate the other pursuant to the appropriate switched access charges, including the database query charge as set forth in the BellSouth intrastate or interstate switched access tariffs.

5.6.4 Records for 8XX Billing. Each Party will provide to the other the appropriate records necessary for billing intraLATA 8XX customers. The records provided will be in a standard EMI format for a fee of \$0.013 per record.

5.6.5 8XX Access Screening. BellSouth's provision of 8XX TFD to Accutel requires interconnection from Accutel to BellSouth 8XX SCP. Such interconnections shall be established pursuant to BellSouth's Common Channel Signaling Interconnection Guidelines and Bellcore's CCS Network Interface Specification document, TR-TSV-000905. Accutel shall establish CCS7 interconnection at the BellSouth Local Signal Transfer Points serving the BellSouth 8XX SCPs that Accutel desires to query. The terms and conditions for 8XX TFD are set out in BellSouth's Intrastate Access Services Tariff as amended.

5.7 Mutual Provision of Switched Access Service

5.7.1 Switched Access Traffic. Switched Access Traffic is as defined in the BellSouth Access Tariff. Additionally, IP Telephony traffic will be considered switched access traffic.

- 5.7.2 When Accutel's end office switch, subtending the BellSouth Access Tandem switch for receipt or delivery of switched access traffic, provides an access service connection to or from an interexchange carrier ("IXC") by either a direct trunk group to the IXC utilizing BellSouth facilities, or via BellSouth's tandem switch, each Party will provide its own access services to the IXC on a multi-bill, multi-tariff meet-point basis. Each Party will bill its own access services rates to the IXC with the exception of the interconnection charge. The interconnection charge will be billed by the Party providing the end office function. Each party will use the Multiple Exchange Carrier Access Billing (MECAB) system to establish meet point billing for all applicable traffic. Thirty (30)-day billing periods will be employed for these arrangements. The recording Party agrees to provide to the initial billing Party, at no charge, the switched access detailed usage data within no more than sixty (60) days after the recording date. The initial billing Party will provide the switched access summary usage data to all subsequent billing Parties within 10 days of rendering the initial bill to the IXC. Each Party will notify the other when it is not feasible to meet these requirements so that the customers may be notified for any necessary revenue accrual associated with the significantly delayed recording or billing. As business requirements change data reporting requirements may be modified as necessary.
- 5.7.3 Where either Party has been notified that the other Party has a Billing Guarantee Practice, each Party so notified (the Initial Billing Party or the recording Party) will be held liable for any access revenues which it has caused to be determined unbillable under the guidelines of such Billing Guarantee Practice of the other Party. Each Party will provide complete documentation to the other to substantiate any claim of unbillable access revenues. A negotiated settlement will be agreed upon between the Parties.
- 5.7.4 Each Party will retain for a minimum period of sixty (60) days, access message detail sufficient to recreate any data which is lost or damaged by their company or any third party involved in processing or transporting data.
- 5.7.5 Each Party agrees to recreate the lost or damaged data within forty-eight (48) hours of notification by the other or by an authorized third party handling the data.
- 5.7.6 Each Party also agrees to process the recreated data within forty-eight (48) hours of receipt at its data processing center.
- 5.7.7 All claims should be filed with the other Party within 120 days of the receipt of the date of the unbillable usage.
- 5.7.8 The Initial Billing Party shall keep records of its billing activities relating to jointly-provided Intrastate and Interstate access services in sufficient detail to permit the Subsequent Billing Party to, by formal or informal review or audit, to

verify the accuracy and reasonableness of the jointly-provided access billing data provided by the Initial billing Party. Each Party agrees to cooperate in such formal or informal reviews or audits and further agrees to jointly review the findings of such reviews or audits in order to resolve any differences concerning the findings thereof.

- 5.7.9 Accutel agrees not to deliver switched access traffic to BellSouth for termination except over Accutel ordered switched access trunks and facilities.
- 5.8 Transit Traffic Service. BellSouth shall provide tandem switching and transport services for Accutel's transit traffic. Transit traffic is traffic originating on Accutel's network that is switched and/or transported by BellSouth and delivered to a third party's network, or traffic originating on a third Party's network that is switched and/or transported by BellSouth and delivered to Accutel's network . Rates for local transit traffic shall be the applicable call transport and termination charges as set forth in Exhibit A to this Attachment. Rates for intraLATA toll and Switched Access transit traffic shall be the applicable call transport and termination charges as set forth in BellSouth Interstate or Intrastate Switched Access tariffs. Switched Access transit traffic presumes that Accutel's end office is subtending the BellSouth Access Tandem for switched access traffic to and from Accutel's end users utilizing BellSouth facilities, either by direct trunks with the IXC, or via the BellSouth Access Tandem. Billing associated with all transit traffic shall be pursuant to Multiple Exchange Carrier Access Billing (MECAB) procedures. Wireless Type 1 traffic shall not be treated as transit traffic from a routing or billing perspective. Wireless Type 2A traffic shall not be treated as transit traffic from a routing or billing perspective until BellSouth and the Wireless carrier have the capability to properly meet-point-bill in accordance with MECAB guidelines.
- 5.8.1 The delivery of traffic which transits the BellSouth network and is transported to another carrier's network is excluded from any BellSouth billing guarantees and will be delivered at the rates stipulated in this Agreement to a terminating carrier. BellSouth agrees to deliver this traffic to the terminating carrier; provided, however, that Accutel is solely responsible for negotiating and executing any appropriate contractual agreements with the terminating carrier for the receipt of this traffic through the BellSouth network. BellSouth will not be liable for any compensation to the terminating carrier or to Accutel. Accutel agrees to compensate BellSouth for any charges or costs for the delivery of transit traffic to a connecting carrier on behalf of Accutel. Additionally, the Parties agree that any billing to a third party or other telecommunications carrier under this section shall be pursuant to MECAB procedures.
- 5.9 Interconnection with Enhanced Service Providers (ESPs)/Information Service Providers (ISPs). ESP/ISP traffic shall not be included in the interconnection compensation arrangements of this Agreement.

6. Frame Relay Service

- 6.1 In addition to the Local Interconnection services set forth above, BellSouth will offer a network to network Interconnection arrangement between BellSouth's and Accutel's frame relay switches as set forth below. The following provisions will apply only to Frame Relay Service and Exchange Access Frame Relay Service in those states in which Accutel is certified and providing Frame Relay Service as a Local Exchange Carrier and where traffic is being exchanged between Accutel and BellSouth Frame Relay Switches in the same LATA.
- 6.2 The Parties agree to establish two-way Frame Relay facilities between their respective Frame Relay Switches to the mutually agreed upon Frame Relay Service point(s) of interconnection ("POI(s)") within the LATA. All POIs shall be within the same Frame Relay Network Serving Areas as defined in Section A40 of BellSouth's General Subscriber Service Tariff except as set forth in this Attachment.
- 6.3 Upon the request of either Party, such interconnection will be established where BellSouth and Accutel have Frame Relay Switches in the same LATA. Where there are multiple Frame Relay switches in one central office, an interconnection with any one of the switches will be considered an interconnection with all of the switches at that central office for purposes of routing packet traffic.
- 6.4 The Parties agree to provision local and IntraLATA Frame Relay Service and Exchange Access Frame Relay Service (both intrastate and interstate) over Frame Relay interconnection facilities between the respective Frame Relay switches and the POIs.
- 6.5 The Parties agree to assess each other reciprocal charges for the facilities that each provides to the other according to the Percent Local Circuit Use Factor (PLCU), determined as follows:
- 6.5.1 If the data packets originate and terminate in locations in the same LATA, and consistent with the local definitions of the Agreement, the traffic is considered local. Frame Relay framed packet data is transported within Virtual Circuits (VC). For the purposes of this Agreement, if all the data packets transported within a VC remain within the LATA, then consistent with the local definitions in this Agreement, the traffic on that VC is local ("Local VC").
- 6.5.2 If the originating and terminating locations of the two way packet data traffic are not in the same LATA, the traffic on that VC is interLATA ("InterLATA VC").

- 6.5.3 The PLCU is determined by dividing the total number of Local VCs, by the total number of VCs on each Frame Relay facility. To facilitate implementation, Accutel may determine its PLCU in aggregate, by dividing the total number of Local VCs in a given LATA by the total number VCs in that LATA. The Parties agree to renegotiate the method for determining PLCU, at BellSouth's request, and within 90 days, if BellSouth notifies Accutel that it has found that this method does not adequately represent the PLCU.
- 6.5.4 If there are no VCs on a facility when it is billed, the PLCU will be zero.
- 6.5.5 BellSouth will provide the circuit between the Parties' respective Frame Relay Switches. The Parties will be compensated as follows: BellSouth will invoice, and Accutel will pay, the total non-recurring and recurring charges for the circuit based upon the rates set forth in BellSouth's Interstate Access Tariff, FCC No. 1. Accutel will then invoice, and BellSouth will pay, an amount calculated by multiplying the BellSouth billed charges for the circuit by one-half of Accutel's PLCU.
- 6.6 The Parties agree to compensate each other for Frame Relay network-to-network interface (NNI) ports based upon the NNI rates set forth in BellSouth's Interstate Access Tariff, FCC No. 1. Compensation for each pair of NNI ports will be calculated as follows: BellSouth will invoice, and Accutel will pay, the total non-recurring and recurring charges for the NNI port. Accutel will then invoice, and BellSouth will pay, an amount calculated by multiplying the BellSouth billed non-recurring and recurring charges for the NNI port by Accutel's PLCU.
- 6.7 Each Party agrees that there will be no charges to the other Party for its own subscriber's Permanent Virtual Circuit (PVC) rate elements for the local PVC segment from its Frame Relay switch to its own subscriber's premises. PVC rate elements include the Data Link Connection Identifier (DLCI) and Committed Information Rate (CIR).
- 6.8 For the PVC segment between the Accutel and BellSouth Frame Relay switches, compensation for the PVC charges is based upon the rates in BellSouth's Interstate Access Tariff, FCC No. 1.
- 6.9 Compensation for PVC rate elements will be calculated as follows:
- 6.9.1 If Accutel orders a VC connection between a BellSouth subscriber's PVC segment and a PVC segment from the BellSouth Frame Relay switch to the Accutel Frame Relay switch, BellSouth will invoice, and Accutel will pay, the total non-recurring and recurring PVC charges for the PVC segment between the BellSouth and Accutel Frame Relay switches. If the VC is a Local VC, Accutel will then invoice and BellSouth will pay, the total nonrecurring and recurring

PVC charges billed for that segment. If the VC is not local, no compensation will be paid to Accutel for the PVC segment.

- 6.9.2 If BellSouth orders a Local VC connection between a Accutel subscriber's PVC segment and a PVC segment from the Accutel Frame Relay switch to the BellSouth Frame Relay switch, BellSouth will invoice, and Accutel will pay, the total non-recurring and recurring PVC and CIR charges for the PVC segment between the BellSouth and Accutel Frame Relay switches. If the VC is a Local VC, Accutel will then invoice and BellSouth will pay the total non-recurring and recurring PVC and CIR charges billed for that segment. If the VC is not local, no compensation will be paid to Accutel for the PVC segment.
- 6.9.3 The Parties agree to compensate each other for requests to change a PVC segment or PVC service order record, according to the Feature Change charge as set forth in the BellSouth access tariff BellSouth Tariff FCC No, 1.
- 6.9.4 If Accutel requests a change, BellSouth will invoice and Accutel will pay a Feature Change charge for each affected PVC segment.
- 6.9.4.1 If BellSouth requests a change to a Local VC, Accutel will invoice and BellSouth will pay a Feature Change charge for each affected PVC segment.
- 6.9.5 The Parties agree to limit the sum of the CIR for the VCs on a DS1 NNI port to not more than three times the port speed, or not more than six times the port speed on a DS3 NNI port.
- 6.9.6 Except as expressly provided herein, this Agreement does not address or alter in any way either Party's provision of Exchange Access Frame Relay Service or interLATA Frame Relay Service. All charges by each Party to the other for carriage of Exchange Access Frame Relay Service or interLATA Frame Relay Service are included in the BellSouth access tariff BellSouth Tariff FCC No, 1.
- 6.10 Accutel will identify and report quarterly to BellSouth the PLCU of the Frame Relay facilities it uses, per section 8.5.3 above.
- 6.11 Either Party may request a review or audit of the various service components, consistent with the provisions of section E2 of the BellSouth State Access Services tariffs or Section 2 of the BellSouth FCC No.1 Tariff.
- 6.12 If during the term of this Agreement, BellSouth obtains authority to provide interLATA Frame Relay in any State, the Parties agree to renegotiate this arrangement for the exchange of Frame Relay Service Traffic within one hundred eighty (180) days of the date BellSouth receives interLATA authority. In the event the Parties fail to renegotiate this Section 8 within the one hundred eighty

day period, they will submit this matter to the appropriate State commission(s) for resolution.

7. Remote Access Server (RAS) Network Interconnection

- 7.1 The Parties agree that the Remote Access Server (RAS) is a specialized internet traffic concentration device designed to concentrate traffic to specific Internet Service Providers (ISPs), and as such is telecommunications equipment, but is not an end office switch or equivalent facility, and thus is not subject to call transport and termination requirements under FCC Rule 51.711.
- 7.2 The Parties further agree that the purpose of the Accutel RAS service offering is to move Internet traffic off the Public Switched Telephone Network (PSTN) terminating end office switch.
- 7.3 Accutel shall configure Accutel's RAS device in such a manner as to eliminate the provisioning of enhanced services as defined by the Federal Communications Commission, such as but not limited to, user authentication, security, usage measurement, billing control and protocol conversion.
- 7.4 BellSouth agrees to deliver BellSouth originated and transit traffic intended for Accutel's end users to Accutel's RAS device pursuant to the terms and conditions of this Agreement.
- 7.5 NPA/NXX Code Assignment and Homing
- 7.5.1 Accutel shall assign unique NPA/NXXs to Accutel's RAS specifically for Internet traffic routing purposes.
- 7.5.2 Accutel shall home its NPA/NXX(s) on the BellSouth Tandem serving the Exchange Rate Center to which Accutel assigns Accutel's RAS NPA/NXX(s). The specified association between BellSouth Tandems and Exchange Rate Center Areas is defined in the LERG.
- 7.6 Direct Trunks Between Accutel's RAS And BellSouth End Offices
- 7.6.1 The Parties shall utilize direct end office to RAS trunks pursuant to the following conditions:
- 7.6.1.1 Tandem Exhaust - If a BellSouth tandem through which Accutel is interconnected is unable to, or is forecasted to be unable to support additional traffic loads for any period of time, the Parties will mutually agree on an end office trunking plan that will alleviate the BellSouth tandem capacity shortage and ensure completion of traffic between Accutel's and BellSouth's subscribers.

- 7.6.1.2 Accutel agrees to order, install and retain direct end office to RAS trunks sufficient to handle actual and reasonably forecasted traffic exceeding a single DS1 of traffic per month.
- 7.6.1.3 Accutel also agrees to order direct end office to RAS trunks within 30 days of a request by BellSouth if the end office traffic is exceeding or is forecasted to exceed a DS1 of traffic. If Accutel does not order direct trunks within those 30 days, Accutel agrees to pay to BellSouth, beginning the following month, the common transport, tandem switching and tandem shared trunk port per minute of use rates reflected in Exhibit A of this Agreement for traffic delivered to Accutel's RAS via BellSouth's tandem switch until such direct trunks are activated.
- 7.6.1.4 Accutel shall install additional capacity between BellSouth end offices and Accutel's RAS devices when overflow traffic between end offices and a RAS device exceeds or is reasonably forecasted to exceed a single DS1 of traffic per month.
- 7.6.1.5 The Parties may install direct end office to RAS trunks upon mutual agreement.
- 7.7 Trunks Between a RAS and Tandem Switches
- 7.7.1 Pursuant to the preceding paragraphs regarding direct trunks between a RAS and the originating end offices, the Accutel agrees to order, install and retain trunking to the BellSouth tandem switch sufficient to handle actual and forecasted traffic volumes routed to Accutel's RAS via the BellSouth tandem.
- 7.7.2 Accutel shall order and establish the necessary trunk groups to each BellSouth tandem switch on which Accutel has homed Accutel NPA/NXXs for transit traffic and traffic between Accutel and BellSouth and as defined in the LERG.
- 7.7.3 A **RAS Point of Interface** is the physical telecommunications interface between BellSouth and Accutel's interconnection functions. It establishes the technical interface and point of operational responsibility. The primary function of the RAS Point of Interface is to serve as the terminus for the interconnection service.
- 7.7.3.1 At a minimum, Accutel must establish a RAS Point Of Interface at each BellSouth access tandem serving an Exchange Rate Center to which Accutel has assigned a RAS NPA/NXX in the LATA.
- 7.7.3.2 Accutel agrees to establish, within four months of a request of BellSouth, a Point Of Interface at a BellSouth end office or tandem switch location where the traffic

to Accutel's RAS has reached or is forecasted to reach one DS3 or more within six months.

- 7.7.3.3 The RAS Point of Interface has the following main characteristics:
 - 7.7.3.3.1 It is a cross-connect point to allow connection, disconnection, transfer or restoration of service.
 - 7.7.3.3.2 It is a point where BellSouth and Accutel can verify and maintain specific performance objectives.
 - 7.7.3.3.3 It is specified according to the interface offered in the tariff or interconnection Agreement (for example: for DS1 service, the FCC # 1 tariff specifies that the interface meets the technical specifications detailed in Generic Requirements GR-342-CORE, Issue 1, December 1995.)
 - 7.7.3.3.4 The Parties provide their own equipment (CPE) to interface with the DS0, DS1, DS3, STS1 and/or OCn circuits on the customer premises.
- 7.7.4 The **RAS Point of Interconnection** is the trunk group termination location at which BellSouth delivers BellSouth originated traffic to the Accutel's RAS on Accutel's network. Accutel's requested Point of Interconnection shall also be used for the receipt of transit trunk groups for transit traffic at BellSouth Access and/or Local Tandems pursuant to the terms and conditions of this Agreement. Points of Interconnection established at the BellSouth Local Tandem apply only to local traffic and local originating transit traffic as defined by BellSouth.
- 7.7.5 Pursuant to the terms and conditions in this Agreement, BellSouth agrees to deliver BellSouth originating traffic to Accutel's RAS Points of Interface as established by Accutel. A Point of Interface may not necessarily be established at a Point of Interconnection.
- 7.7.6 Accutel agrees to compensate BellSouth for transport and switching functions performed by BellSouth at the rates reflected in Exhibit A to this Agreement, including third party transit traffic, delivered to Accutel's RAS Point Of Interface.
- 7.7.7 Exhibit A Switching and Transport rates will apply when the BellSouth Rate Center with which Accutel has associated its RAS NPA/NXX is not local, pursuant to BellSouth's flat rated Extended Area Service (EAS) A3 tariffs, to the BellSouth Rate Center in which Accutel has placed Accutel's RAS device.
- 7.7.8 Accutel shall not deliver switched access traffic to BellSouth via Accutel's RAS interconnection with BellSouth.

7.7.9 BellSouth shall not pay reciprocal compensation to Accutel for traffic delivered to Accutel's RAS.

7.7.10 Compensation for Switched Access transit traffic shall be pursuant to the **Mutual Provision of Switched Access Service** section of this Agreement. Internet Protocol (IP) Telephony traffic shall be considered and treated as switched access traffic by both parties.

8. Operational Support Systems (OSS) Rates

8.1 BellSouth has developed and made available the following mechanized systems by which Accutel may submit LSRs electronically.

| | |
|------|-----------------------------------|
| LENS | Local Exchange Navigation System |
| EDI | Electronic Data Interface |
| TAG | Telecommunications Access Gateway |

8.2 LSRs submitted by means of one of these interactive interfaces will incur an OSS electronic ordering charge as specified in the table below. An individual LSR will be identified for billing purposes by its Purchase Order Number (PON). LSRs submitted by means other than one of these interactive interfaces (mail, fax, courier, etc.) will incur a manual order charge as specified in the table below:

| OPERATIONAL SUPPORT SYSTEMS | AL, GA, LA, MS, SC | FL, KY, NC, TN |
|---|-----------------------------|-----------------------|
| OSS LSR charge, per LSR received from the CLEC by one of the OSS interactive interfaces | \$3.50 | \$3.50 |
| | SOMECH | SOMECH |
| Incremental charge per LSR received from the CLEC by means other than one of the OSS interactive interfaces | See applicable rate element | \$19.99 |
| | | SOMAN |

Note: In addition to the OSS charges, applicable discounted service order and related discounted charges apply per the tariff.

8.3 Denial/Restoral OSS Charge

In the event Accutel provides a list of customers to be denied and restored, rather than an LSR, each location on the list will require a separate PON and, therefore will be billed as one LSR per location.

8.4 Cancellation OSS Charge

Accutel will incur an OSS charge for an accepted LSR that is later canceled by Accutel.

Note: Supplements or clarifications to a previously billed LSR will not incur another OSS charge.

8.5 Network Elements and Other Services Manual Additive

The Commissions in Alabama, Georgia, Louisiana, Mississippi and South Carolina have ordered incremental manual non-recurring charges (NRC) for Network Elements and Other Services ordered by means other than one of the interactive interfaces. These ordered Network Elements and Other Services manual additive NRCs will apply in these states, rather than the charge per LSR.

8.6 Threshold Billing Plan

8.6.1 The Parties agree that Accutel will incur the mechanized rate for all LSRs, both mechanized and manual, if the percentage of mechanized LSRs to total LSRs **meets or** exceeds the threshold percentages shown below:

| Year | Ratio: Mechanized/Total LSRs |
|------|------------------------------|
| 2000 | 80% |
| 2001 | 90% |

The threshold plan will be discontinued in 2002.

8.6.2 BellSouth will track the total LSR volume for each CLEC for each quarter. At the end of that time period, a Percent Electronic LSR calculation will be made for that quarter based on the LSR data tracked in the LCSC. If this percentage exceeds the threshold volume, all of that CLECs' future manual LSRs will be billed at the mechanized LSR rate. To allow time for obtaining and analyzing the data and updating the billing system, this billing change will take place on the first day of the second month following the end of the quarter (e.g. May 1 for 1Q, Aug 1 for 2Q, etc.). There will be no adjustments to the amount billed for previously billed LSRs.

Basic Architecture

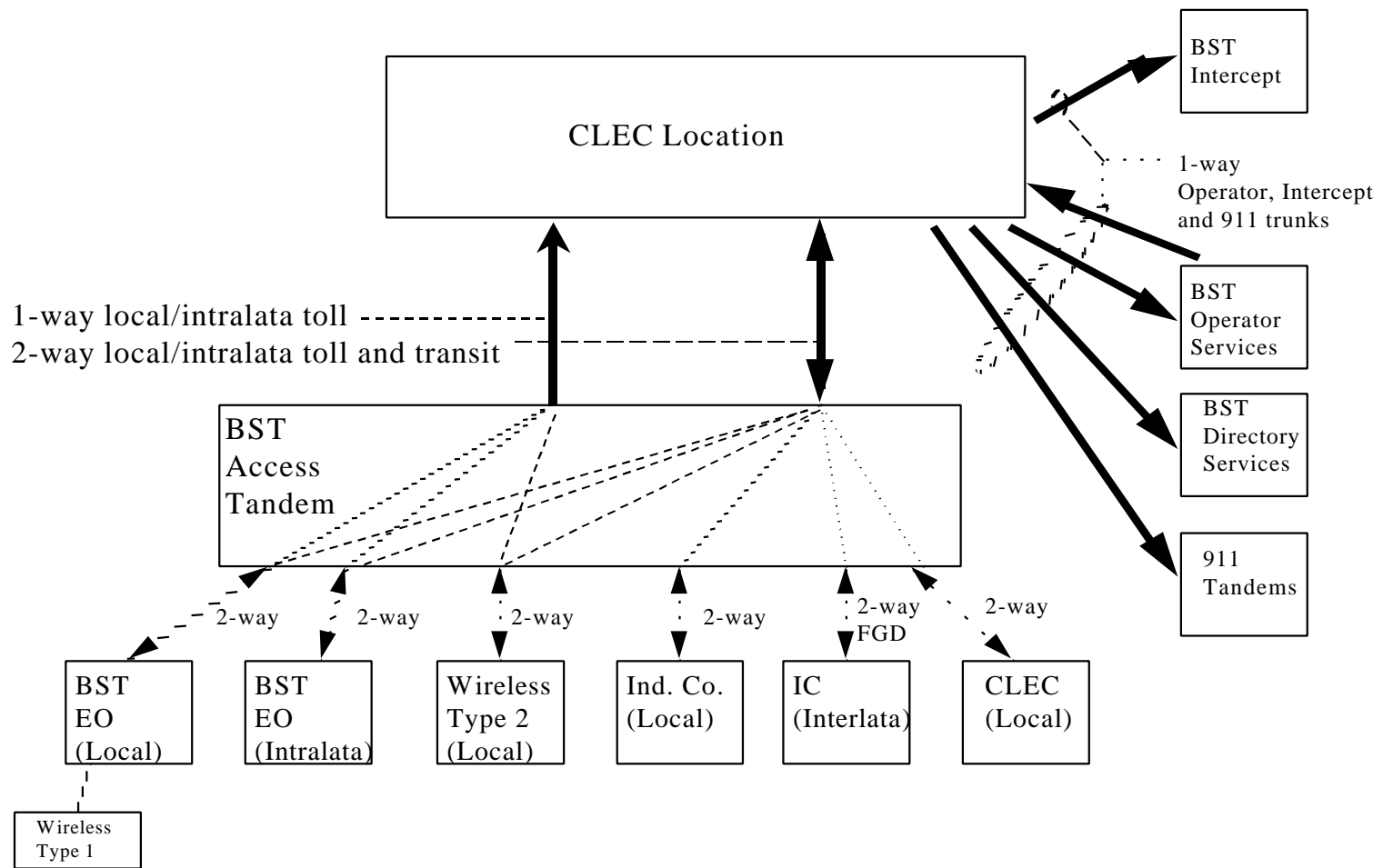


Exhibit B

One-Way Trunking Architecture

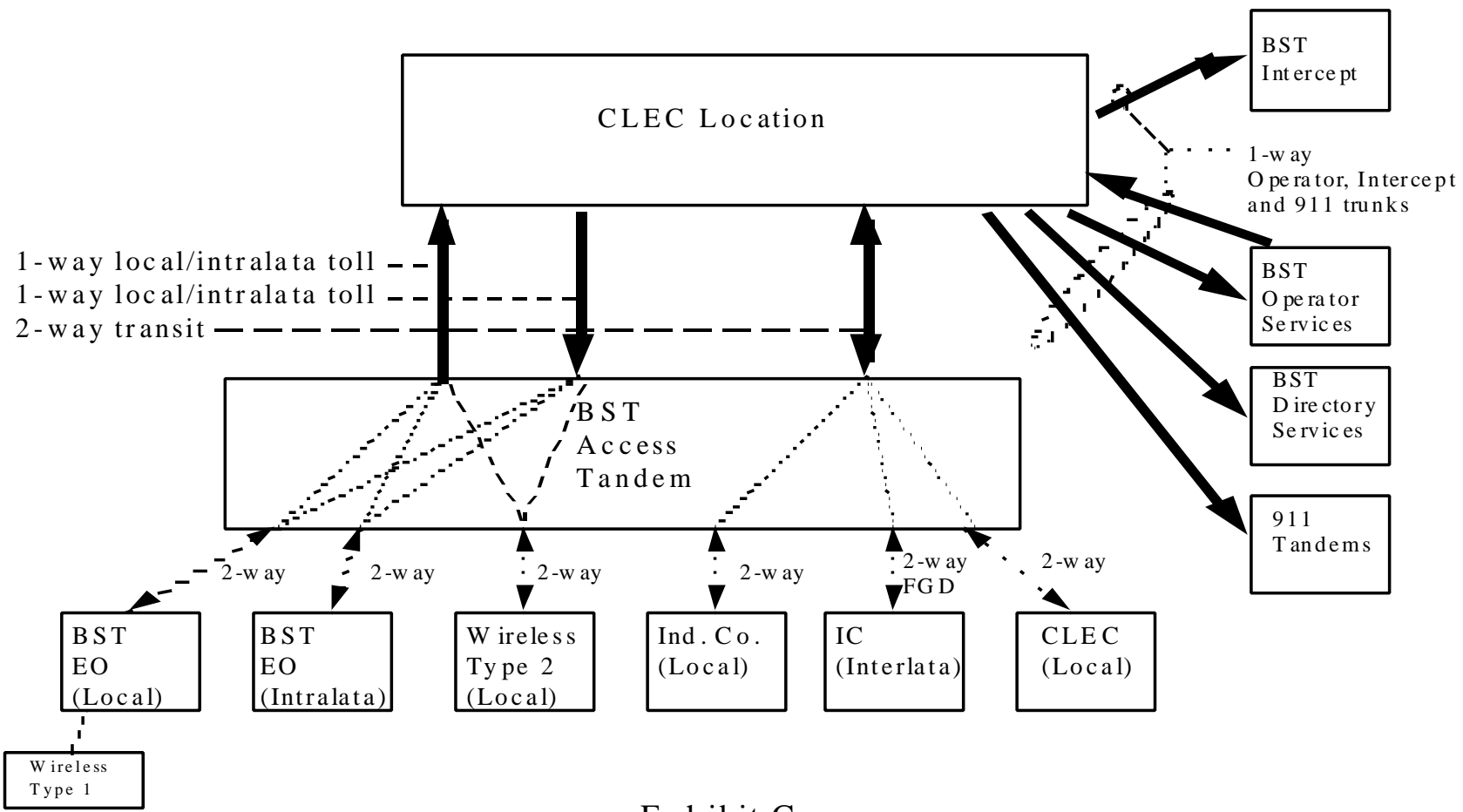


Exhibit C

Two-Way Trunking Architecture

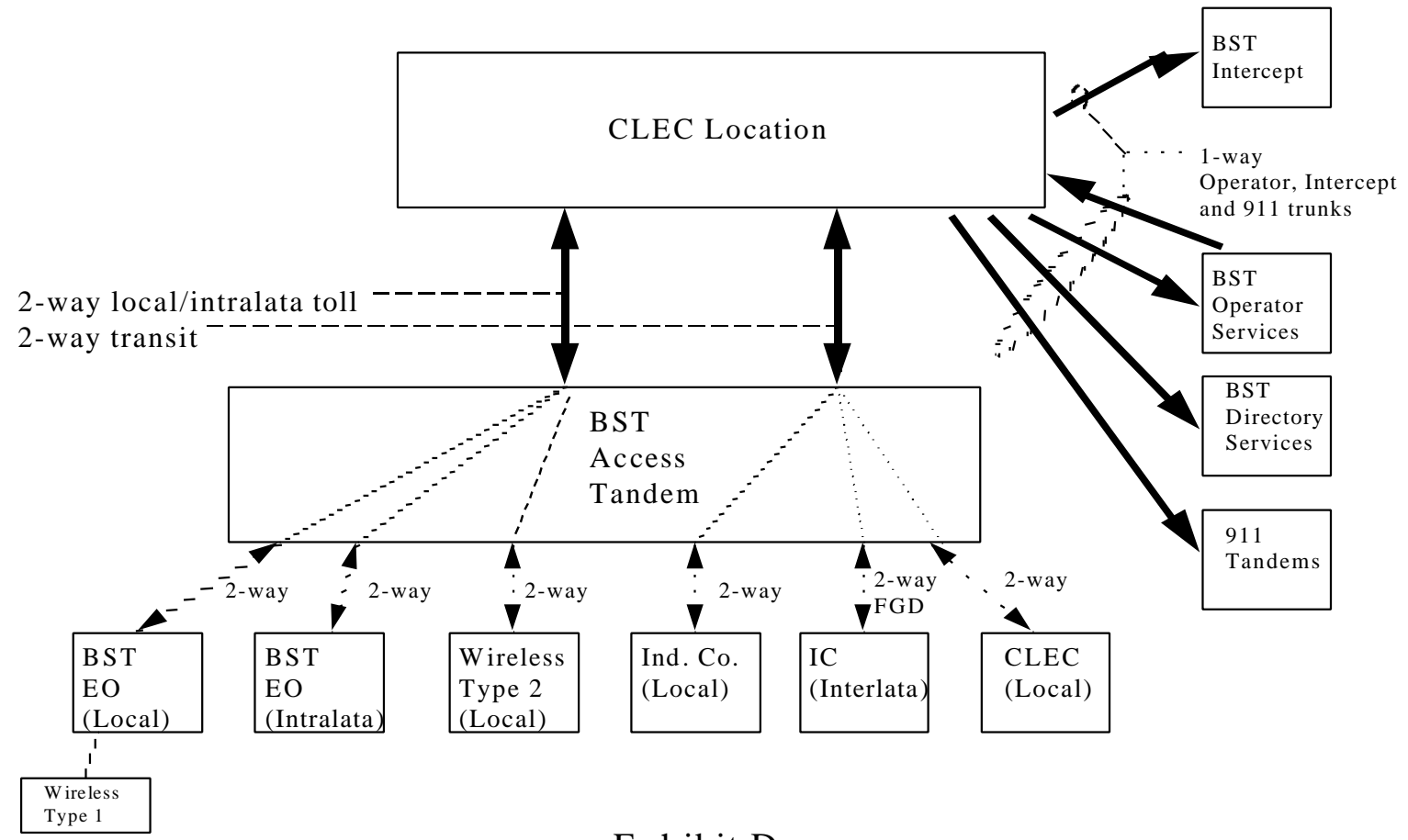
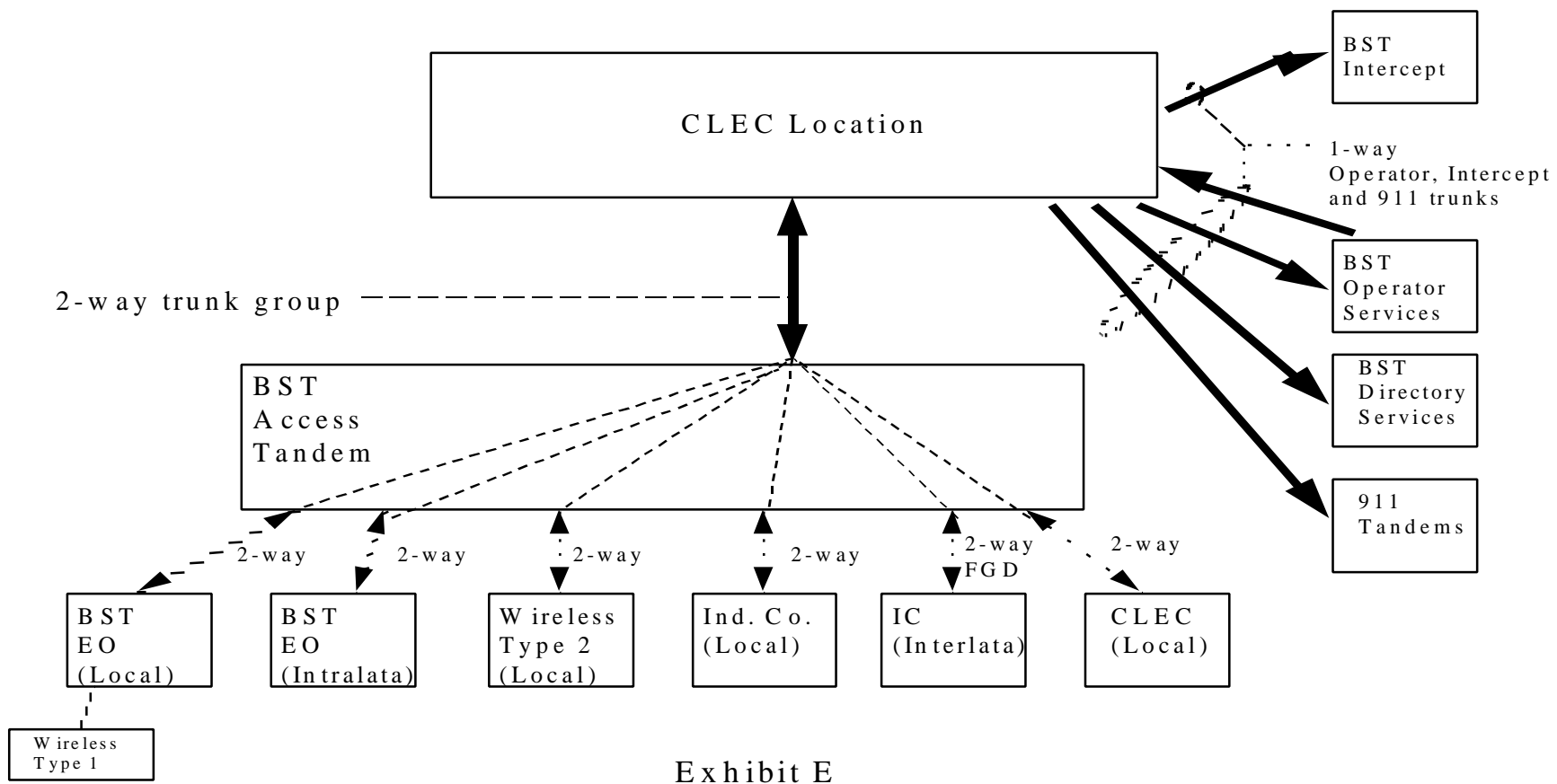


Exhibit D

SuperGroup Architecture



BELLSOUTH/Accutel RATES
LOCAL INTERCONNECTION

| | | RATES BY STATE | | | | | | | | | |
|--|--|----------------|-------------------------------|-------------------------------|-------------------------------|-------------------------------|-------------------------------|-------------------------------|-------------------------------|-------------------------------|-------------------------------|
| DESCRIPTION | | USOC | AL | FL | GA | KY | LA | MS | NC | SC | TN |
| LOCAL INTERCONNECTION (CALL TRANSPORT AND TERMINATION) | | | | | | | | | | | |
| | End Office Switching, per mou | N/A | \$0.0018 | NA | \$0.0016333 | \$0.002562 | NA | \$0.0023771 | \$0.0017 | \$0.0019295 | \$0.0019 |
| | Direct Local Interconnection, per mou (same as End Office Switching in FL & LA) | | NA | \$0.002 | NA | NA | \$0.00209 | NA | NA | NA | NA |
| | Tandem Switching, per mou | N/A | \$0.00063 | \$0.00029 | \$0.0006757 | \$0.001096 | NA | \$0.0007834 | \$0.0009 | \$0.0006843 | \$0.000676 |
| | Tandem Switching (assumes 5 miles of transport per mou) | N/A | NA | NA | NA | NA | \$0.00430 | NA | NA | NA | NA |
| | Tandem Local Interconnection, per mou (includes end office switching element) | | NA | \$0.00325 | NA | NA | \$0.00639 | NA | NA | NA | NA |
| | Multiple Tandem Switching, per mou (applies to initial tandem only), effective 10/99 | | NA | \$0.00125 | NA | NA | \$0.00430 | NA | NA | NA | NA |
| | Local Intermediary, per mou (applies to transit traffic only) | | NA | \$0.00125 | NA | NA | \$0.00430 | NA | NA | NA | NA |
| | Tandem Intermediary Charge, per mou* | N/A | \$0.0015 | NA | NA | \$0.001096 | NA | NA | NA | NA | NA |
| | *(This charge is applicable only to transit traffic and is applied in addition to applicable switching and/or interconnection charges.) | | | | | | | | | | |
| TRUNK PORT CHARGE | | | | | | | | | | | |
| | All terms and conditions, as well as charges, both non-recurring and recurring, associated with interconnecting trunk groups between BellSouth and CLEC-1 shall be as set forth in Section E.6 of the appropriate BellSouth intrastate access tariff. At such time as BellSouth develops a cost based rate for such interconnecting trunk groups, the Parties shall amend this agreement to include such cost based rates and shall true up such charges in accordance with this Attachment. | | | | | | | | | | |
| | | | BST State Access Tariff Rates | BST State Access Tariff Rates | BST State Access Tariff Rates | BST State Access Tariff Rates | BST State Access Tariff Rates | BST State Access Tariff Rates | BST State Access Tariff Rates | BST State Access Tariff Rates | BST State Access Tariff Rates |
| INTEROFFICE TRANSPORT | | | | | | | | | | | |
| Common (Shared) Transport | | | | | | | | | | | |
| | Common (Shared) Transport per mile per mou | N/A | \$0.00001 | \$0.000012 | \$0.000008 | \$0.0000049 | \$0.0000083 | \$0.0000091 | \$0.00001 | \$0.0000121 | \$0.00004 |
| | Common (Shared) Transport Facilities Termination per mou | N/A | \$0.00045 | \$0.0005 | \$0.0004152 | \$0.000426 | \$0.00047 | \$0.0004281 | \$0.00034 | \$0.0004672 | \$0.00036 |
| Interoffice Channel Transport - Dedicated - VG | | | | | | | | | | | |
| | Interoffice Transport - Dedicated - 2-Wire VG - per mile | 1L;5XF | \$0.03390 | NA | \$0.0222 | NA | \$0.0384 | NA | \$0.0282 | \$0.0373 | \$0.0173 |
| | Interoffice Transport - Dedicated - 2-Wire VG - facilities termination per month | 1L;5XF | \$18.49 | NA | \$17.07 | NA | \$19.10 | NA | \$18.00 | \$21.42 | \$18.33 |
| | NRC - 1st | 1L;5XF | \$144.27 | NA | \$79.61 | NA | \$104.23 | NA | \$137.48 | \$136.44 | \$83.35 |
| | NRC - Add'l | 1L;5XF | \$54.15 | NA | \$36.08 | NA | \$39.91 | NA | \$52.58 | \$51.37 | \$20.88 |
| | NRC - Incremental Charge - Manual Service Order - 1st | SOMAC | \$40.34 | NA | \$18.94 | NA | \$26.20 | NA | \$38.07 | \$39.63 | \$30.15 |
| | NRC - Incremental Charge - Manual Service Order - Add'l | SOMAC | \$40.54 | NA | \$18.94 | NA | \$26.20 | NA | \$38.07 | \$39.63 | \$31.63 |
| Interoffice Channel Transport - Dedicated - VG - Kentucky & Mississippi | | | | | | | | | | | |
| | Interoffice Transport - Dedicated - 2-Wire VG - per mile | 1L5NF | NA | NA | NA | \$0.03 | NA | \$0.0323 | NA | NA | NA |
| | Interoffice Transport - Dedicated - 2-Wire VG - facilities termination per month | 1L5NF | NA | NA | NA | \$27.66 | NA | \$21.33 | NA | NA | NA |
| | NRC - Facility Termination -1st | 1L5NF | NA | NA | NA | \$142.31 | NA | \$144.77 | NA | NA | NA |
| | NRC - Facility Termination - Add'l | 1L5NF | NA | NA | NA | \$56.21 | NA | \$56.06 | NA | NA | NA |
| | NRC - Incremental Charge--Manual Svc Order - 1st | SOMAC | NA | NA | NA | \$37.21 | NA | \$36.86 | NA | NA | NA |
| | NRC - Incremental Charge--Manual Svc Order - Add'l | SOMAC | NA | NA | NA | \$37.21 | NA | \$36.86 | NA | NA | NA |
| Interoffice Channel Transport - Dedicated - DS0 - 56/64 KBPS | | | | | | | | | | | |
| | Interoffice Transport - Dedicated - DS0 - per mile per month | 1L5XK | \$0.0339 | \$0.0252 | \$0.0222 | NA | \$0.0384 | NA | \$0.0282 | \$0.0373 | \$0.17 |
| | Interoffice Transport - Dedicated - DS0 - facility termination per month | 1L5XK | \$17.81 | \$21.33 | \$16.45 | NA | \$18.37 | NA | \$17.40 | \$20.71 | \$17.74 |
| | NRC - 1st | 1L5XK | \$144.27 | \$137.15 | \$79.61 | NA | \$104.23 | NA | \$137.48 | \$136.44 | \$83.35 |
| | NRC - Add'l | 1L5XK | \$54.15 | \$64.45 | \$36.08 | NA | \$39.91 | NA | \$52.58 | \$51.37 | \$20.88 |
| | NRC - Incremental Charge - Manual Service Order - 1st | SOMAC | \$40.34 | NA | \$18.94 | NA | \$26.20 | NA | \$38.07 | \$39.63 | \$30.15 |
| | NRC - Incremental Charge - Manual Service Order - Add'l | SOMAC | \$40.34 | NA | \$18.94 | NA | \$26.20 | NA | \$38.07 | \$39.63 | \$31.63 |

BELLSOUTH/Accutel RATES
LOCAL INTERCONNECTION

| | | RATES BY STATE | | | | | | | | | |
|--|--|----------------|----------|----------|----------|------------|------------|----------|----------|----------|----------|
| DESCRIPTION | | USOC | AL | FL | GA | KY | LA | MS | NC | SC | TN |
| Interoffice Transport - Dedicated - DS0 - 56/64 KBPS - Kentucky & Mississippi | | | | | | | | | | | |
| | DS0 - per mile | 1L5NK | NA | NA | NA | \$0.03 | NA | \$0.0323 | NA | NA | NA |
| | DS0 - Facility Termination | 1L5NK | NA | NA | NA | \$26.95 | NA | \$20.64 | NA | NA | NA |
| | NRC - Facility Termination - 1st | 1L5NK | NA | NA | NA | \$142.31 | NA | \$144.77 | NA | NA | NA |
| | NRC - Facility Termination - Add'l | 1L5NK | NA | NA | NA | \$56.21 | NA | \$56.06 | NA | NA | NA |
| | NRC - Incremental Charge--Manual Svc Order - 1st | SOMAC | NA | NA | NA | \$37.21 | NA | \$36.86 | NA | NA | NA |
| | NRC - Incremental Charge--Manual Svc Order - Add'l | SOMAC | NA | NA | NA | \$37.21 | NA | \$36.86 | NA | NA | NA |
| Interoffice Channel Transport - Dedicated - DS1 | | | | | | | | | | | |
| | Interoffice Transport - Dedicated - DS1 - per mile per month | 1L5XL | \$0.69 | \$0.6013 | \$0.4523 | NA | \$0.7831 | NA | \$0.5753 | \$0.7598 | \$0.3525 |
| | Interoffice Transport - Dedicated - DS1 - facility termination per month | 1L5XL | \$79.69 | \$99.79 | \$78.47 | NA | \$93.40 | NA | \$71.29 | \$94.98 | \$75.83 |
| | NRC - 1st | 1L5XL | \$223.59 | \$45.91 | \$147.07 | NA | \$160.49 | NA | \$217.17 | \$216.27 | \$166.53 |
| | NRC - Add'l | 1L5XL | \$168.60 | \$44.18 | \$111.75 | NA | \$123.03 | NA | \$163.75 | \$162.70 | \$124.84 |
| | NRC - Incremental Charge - Manual Service Order - 1st | SOMAC | \$40.34 | NA | \$18.94 | NA | \$26.20 | NA | \$38.07 | \$39.63 | \$30.15 |
| | NRC - Incremental Charge - Manual Service Order - Add'l | SOMAC | \$40.34 | NA | \$18.94 | NA | \$26.20 | NA | \$38.07 | \$39.63 | \$31.63 |
| Interoffice Channel Transport - Dedicated - DS1 - Kentucky & Mississippi | | | | | | | | | | | |
| | Interoffice Transport - Dedicated - DS1 - per mile per month | 1L5NL | NA | NA | NA | \$0.45 | NA | \$0.6598 | NA | NA | NA |
| | Interoffice Transport - Dedicated - DS1 - facilities termination per month | 1L5NL | NA | NA | NA | \$55.05 | NA | \$74.40 | NA | NA | NA |
| | NRC - Facility Termination - 1st | 1L5NL | NA | NA | NA | \$298.18 | NA | \$222.81 | NA | NA | NA |
| | NRC - Facility Termination - Add'l | 1L5NL | NA | NA | NA | \$231.23 | NA | \$168.92 | NA | NA | NA |
| | NRC - Incremental Charge--Manual Svc Order - 1st | SOMAC | NA | NA | NA | NA | NA | \$36.83 | NA | NA | NA |
| | NRC - Incremental Charge--Manual Svc Order - Add'l | SOMAC | NA | NA | NA | NA | NA | \$36.86 | NA | NA | NA |
| Interoffice Channel Transport - Dedicated - DS3 | | | | | | | | | | | |
| | Interoffice Transport - Dedicated - DS3 - per mile per month | 1L5XM | \$12.56 | \$10.22 | \$6.53 | NA | \$14.04 | NA | \$12.98 | \$19.08 | \$5.89 |
| | Interoffice Transport - Dedicated - DS3 - facility termination per month | 1L5XM | \$771.60 | \$984.55 | \$725.53 | NA | \$1,101.00 | NA | \$720.38 | \$960.82 | \$760.20 |
| | NRC - 1st | 1L5XM | \$961.93 | \$772.93 | \$778.80 | NA | \$713.57 | NA | \$794.94 | \$941.07 | \$729.27 |
| | NRC - Add'l | 1L5XM | \$532.45 | \$435.92 | \$439.62 | NA | \$404.36 | NA | \$579.55 | \$503.72 | \$411.98 |
| | NRC - Incremental Charge - Manual Service Order - 1st | SOMAC | \$100.19 | NA | \$77.41 | NA | \$71.19 | NA | \$91.26 | \$92.52 | \$75.98 |
| | NRC - Incremental Charge - Manual Service Order - Add'l | SOMAC | \$100.19 | NA | \$77.41 | NA | \$71.19 | NA | \$91.26 | \$92.52 | \$75.98 |
| Interoffice Channel Transport - Dedicated - DS3 - Kentucky & Mississippi | | | | | | | | | | | |
| | Interoffice Channel Transport - Dedicated - DS3 - per mile | | | | | | | | | | |
| | Interoffice Transport - Dedicated - DS3 - facility termination per month | 1L5NM | NA | NA | NA | \$12.62 | NA | \$15.02 | NA | NA | NA |
| | NRC - DS3 - Facility Termination -1st | 1L5NM | NA | NA | NA | \$1,204.00 | NA | \$744.38 | NA | NA | NA |
| | NRC - DS3 - Facility Termination - Add'l | 1L5NM | NA | NA | NA | \$946.23 | NA | \$812.30 | NA | NA | NA |
| | NRC - Incremental Charge--Manual Svc Order - 1st | SOMAC | NA | NA | NA | \$516.89 | NA | \$596.55 | NA | NA | NA |
| | NRC - Incremental Charge--Manual Svc Order - Add'l | SOMAC | NA | NA | NA | \$93.12 | NA | \$64.97 | NA | NA | NA |
| Local Channel - Dedicated | | | | | | | | | | | |
| Local Channel - Dedicated - 2-Wire VG | | | | | | | | | | | |
| | Monthly Recurring | TEFV2 | \$14.61 | \$18.02 | \$13.91 | \$22.26 | \$14.94 | \$17.83 | \$14.82 | \$16.83 | \$19.02 |
| | NRC - 1st | TEFV2 | \$572.46 | \$477.33 | \$382.95 | \$597.14 | \$401.17 | \$565.31 | \$553.80 | \$554.00 | \$254.14 |
| | NRC - Add'l | TEFV2 | \$92.07 | \$124.32 | \$62.40 | \$110.52 | \$66.35 | \$93.30 | \$86.69 | \$88.58 | \$28.96 |
| | NRC - Incremental Charge - Manual Service Order - 1st | SOMAC | \$45.12 | NA | \$18.94 | \$41.46 | \$29.54 | \$41.57 | \$42.17 | \$43.75 | \$33.65 |
| | NRC - Incremental Charge - Manual Service Order - Add'l | SOMAC | \$18.73 | NA | \$8.42 | NA | \$19.46 | \$27.39 | \$12.76 | \$13.55 | \$23.84 |
| Local Channel - Dedicated - 4-Wire VG | | | | | | | | | | | |
| | Monthly Recurring | TEFV4 | \$15.77 | \$19.01 | \$14.99 | \$23.38 | \$16.21 | \$19.03 | \$15.87 | \$18.05 | \$20.14 |
| | NRC - 1st | TEFV4 | \$581.14 | \$477.33 | \$368.44 | \$585.15 | \$407.11 | \$573.83 | \$562.23 | \$562.46 | \$257.05 |
| | NRC - Add'l | TEFV4 | \$95.21 | \$124.32 | \$64.05 | \$98.53 | \$68.61 | \$96.40 | \$92.67 | \$91.57 | \$30.34 |

BELLSOUTH/Accutel RATES
LOCAL INTERCONNECTION

| | | RATES BY STATE | | | | | | | | | |
|--|-------|----------------|----------|----------|------------|----------|----------|----------|------------|----------|--|
| DESCRIPTION | USOC | AL | FL | GA | KY | LA | MS | NC | SC | TN | |
| NRC - Incremental Charge - Manual Service Order - 1st | SOMAC | \$45.12 | NA | \$18.94 | \$98.53 | \$29.54 | \$41.57 | \$42.17 | \$43.64 | \$33.65 | |
| NRC - Incremental Charge - Manual Service Order - Add'l | SOMAC | \$18.73 | NA | \$8.42 | \$11.99 | \$19.46 | \$27.39 | \$12.76 | \$13.55 | \$23.84 | |
| Local Channel - Dedicated - DS1 | | | | | | | | | | | |
| Monthly Recurring | TEFHG | \$35.52 | \$44.35 | \$38.36 | \$43.80 | \$43.80 | \$38.91 | \$35.68 | \$37.20 | \$40.27 | |
| NRC - 1st | TEFHG | \$549.85 | \$246.50 | \$356.15 | \$538.95 | \$396.86 | \$588.53 | \$534.48 | \$534.81 | \$343.71 | |
| NRC - Add'l | TEFHG | \$475.02 | \$230.49 | \$312.89 | \$464.94 | \$342.92 | \$501.32 | \$462.69 | \$462.81 | \$277.86 | |
| NRC - Incremental Charge - Manual Service Order - 1st | SOMAC | \$91.22 | NA | \$44.22 | \$87.71 | \$61.82 | \$81.30 | \$86.15 | \$87.99 | \$23.51 | |
| NRC - Incremental Charge - Manual Service Order - Add'l | SOMAC | NA | NA | NA | NA | NA | NA | \$1.77 | \$3.11 | \$21.75 | |
| Local Channel - Dedicated - DS3 | | | | | | | | | | | |
| Monthly Recurring | TEFHJ | \$559.98 | \$630.65 | \$558.51 | \$697.89 | \$696.07 | \$533.33 | \$498.87 | \$602.18 | \$633.15 | |
| NRC - 1st | TEFHJ | \$1,106.14 | \$879.42 | \$882.03 | \$1,091.00 | \$811.30 | \$569.08 | \$562.25 | \$1,091.00 | \$829.52 | |
| NRC - Add'l | TEFHJ | \$676.66 | \$542.41 | \$545.85 | \$661.23 | \$502.09 | \$534.58 | \$527.88 | \$654.13 | \$512.23 | |
| NRC - Incremental Charge - Manual Service Order - 1st | SOMAC | \$100.19 | NA | \$77.41 | \$93.12 | \$71.19 | \$56.84 | \$56.25 | \$92.52 | \$75.98 | |
| NRC - Incremental Charge - Manual Service Order - Add'l | SOMAC | \$100.19 | NA | \$77.41 | \$93.12 | \$71.19 | \$56.84 | \$56.25 | \$92.52 | \$53.03 | |
| CHANNELIZATION | | | | | | | | | | | |
| DS3 Channelization (DS3 to DS1) | | | | | | | | | | | |
| per Channelized System per month | SATCS | \$210.87 | \$213.22 | \$173.51 | \$236.32 | \$245.84 | \$229.30 | \$226.81 | \$204.07 | \$225.59 | |
| NRC - 1st | SATCS | \$355.25 | \$280.12 | \$284.43 | \$425.41 | \$259.76 | \$356.80 | \$351.95 | \$423.77 | \$265.08 | |
| NRC - Add'l | SATCS | \$245.86 | \$196.07 | \$199.98 | \$303.33 | \$182.64 | \$247.40 | \$243.76 | \$295.21 | \$185.94 | |
| NRC -1sr - Disconnect | SATCS | \$78.43 | \$64.06 | \$66.76 | NA | \$60.96 | \$79.94 | \$77.90 | NA | \$61.09 | |
| NRC -Add'l - Disconnect | SATCS | \$63.70 | \$52.60 | \$55.25 | NA | \$50.46 | \$65.20 | \$63.32 | NA | \$50.31 | |
| NRC - Channel System - Incremental Cost - Manual Svc. Order -1st | SOMAC | \$28.44 | NA | \$21.61 | \$41.47 | \$19.74 | \$26.95 | \$28.13 | \$43.41 | \$21.71 | |
| NRC - Channel System - Incremental Cost - Manual Svc. Order - Add'l | SOMAC | \$13.47 | NA | \$9.61 | NA | \$8.77 | \$11.98 | \$13.33 | \$15.36 | \$10.46 | |
| NRC - Channel System - Incremental Cost - Manual Svc. Order - Disconnect - 1st | SOMAC | \$18.46 | NA | \$13.61 | NA | \$12.43 | \$16.97 | \$18.26 | NA | \$14.21 | |
| NRC - Channel System - Incremental Cost - Manual Svc. Order - Disconnect - Add'l | SOMAC | \$1.50 | NA | NA | NA | NA | NA | \$1.48 | NA | \$1.46 | |
| per Interface per month | SATCO | \$4.53 | \$6.31 | \$7.13 | \$8.52 | \$7.55 | \$5.58 | \$4.61 | \$9.69 | \$3.91 | |
| NRC - 1st | SATCO | \$15.85 | \$13.39 | \$13.45 | \$15.86 | \$12.29 | \$15.85 | \$15.76 | \$15.54 | \$12.61 | |
| NRC - Add'l | SATCO | \$11.35 | \$9.59 | \$9.63 | \$11.36 | \$8.80 | \$11.35 | \$11.28 | \$11.13 | \$9.03 | |
| DS1 Channelization (DS1 to DS0) | | | | | | | | | | | |
| per Channelized System per month | SATC1 | \$139.58 | \$163.88 | \$137.97 | \$200.01 | \$209.87 | \$146.87 | \$177.72 | \$179.81 | \$165.21 | |
| NRC - 1st | SATC1 | \$269.98 | \$208.64 | \$212.01 | \$302.82 | \$193.63 | \$271.52 | \$267.19 | \$304.00 | \$197.21 | |
| NRC - Add'l | SATC1 | \$163.04 | \$126.61 | \$129.60 | \$184.20 | \$118.37 | \$164.56 | \$161.43 | \$178.92 | \$119.99 | |
| NRC -1sr - Disconnect | SATC1 | \$34.88 | \$26.42 | \$28.95 | NA | \$26.44 | \$36.38 | \$34.55 | NA | \$25.66 | |
| NRC -Add'l - Disconnect | SATC1 | \$21.32 | \$15.95 | \$18.43 | NA | \$16.83 | \$22.82 | \$21.14 | NA | \$15.81 | |
| NRC - Channel System - Incremental Cost - Manual Svc. Order -1st | SOMAC | \$28.44 | NA | \$21.61 | \$41.47 | \$19.74 | \$26.95 | \$28.13 | \$43.41 | \$21.71 | |
| NRC - Channel System - Incremental Cost - Manual Svc. Order -Add'l | SOMAC | \$13.47 | NA | \$9.61 | \$11.99 | \$8.77 | \$11.98 | \$13.33 | \$15.36 | \$10.46 | |
| NRC - Channel System - Incremental Cost - Manual Svc. Order - Disconnect -1st | SOMAC | \$18.46 | NA | \$13.61 | NA | \$12.43 | \$16.97 | \$18.26 | NA | \$14.21 | |
| NRC - Channel System - Incremental Cost - Manual Svc. Order - Disconnect -Add'l | SOMAC | \$1.50 | NA | NA | NA | NA | NA | \$1.48 | NA | \$1.46 | |
| DS1 Channization Interfaces | | | | | | | | | | | |
| per OCU-DP(data) card per month(2.4-64kbps) | SATSA | \$2.61 | \$3.13 | \$2.65 | \$2.94 | \$3.12 | \$2.86 | \$2.88 | \$3.36 | \$2.46 | |
| NRC - 1st | SATSA | \$15.85 | \$13.39 | \$13.45 | \$15.86 | \$12.29 | \$15.85 | \$15.76 | \$15.54 | \$12.61 | |
| NRC - Add'l | SATSA | \$11.35 | \$9.59 | \$9.63 | \$11.36 | \$8.80 | \$11.35 | \$11.28 | \$11.13 | \$9.03 | |
| per VG card per month | SATSA | \$1.26 | \$1.78 | \$1.48 | \$1.40 | \$1.62 | \$1.45 | \$1.64 | \$1.93 | \$1.25 | |
| NRC - 1st | SATSA | \$15.85 | \$13.39 | \$13.45 | \$15.86 | \$12.29 | \$15.85 | \$15.76 | \$15.54 | \$12.61 | |
| NRC - Add'l | SATSA | \$11.35 | \$9.59 | \$9.63 | \$11.36 | \$8.80 | \$11.35 | \$11.28 | \$11.13 | \$9.03 | |
| Local Interconnection Mid-Span Meet | | | | | | | | | | | |
| Local Channel - Dedicated - DS1 | | | | | | | | | | | |

BELLSOUTH/Accutel RATES
LOCAL INTERCONNECTION

| | | RATES BY STATE | | | | | | | | | |
|---|-------|----------------|------------|------------|------------|------------|------------|------------|------------|------------|--|
| DESCRIPTION | USOC | AL | FL | GA | KY | LA | MS | NC | SC | TN | |
| DS1 Monthly Recurring per month | TEFHG | \$17.76 | \$22.18 | \$19.18 | \$21.90 | \$21.90 | \$19.46 | \$17.85 | \$18.60 | \$20.14 | |
| NRC - DS1 - 1st | TEFHG | \$251.79 | \$123.25 | \$178.08 | \$269.48 | \$174.28 | \$247.42 | \$268.83 | \$267.41 | \$138.68 | |
| NRC - DS1 - Add'l | TEFHG | \$221.42 | \$115.25 | \$156.45 | \$232.47 | \$150.15 | \$217.64 | \$232.73 | \$231.41 | \$116.63 | |
| NRC - DS1 - Disconnect Chg - 1st | TEFHG | \$23.14 | NA | NA | NA | \$12.08 | \$23.43 | NA | NA | \$16.59 | |
| NRC - DS1 - Disconnect Chg - Add'l | TEFHG | \$16.09 | NA | NA | NA | \$10.66 | \$16.51 | NA | NA | \$11.15 | |
| NRC - DS1 - Incremental Charge--Manual Svc Order - 1st | SOMAC | \$61.95 | NA | \$44.22 | \$87.71 | \$42.34 | \$59.58 | \$623.92 | \$87.99 | \$45.68 | |
| NRC - DS1 - Incremental Charge--Manual Svc Order - Add'l | SOMAC | \$0.00 | NA | NA | NA | NA | NA | \$467.22 | \$3.11 | \$1.76 | |
| NRC - DS1 - Incremental Charge--Manual Svc Order-Disconnect | SOMAC | \$29.27 | NA | NA | NA | \$19.48 | \$27.51 | NA | NA | \$21.75 | |
| Rates For CLEC-1 Remote Access Concentrator (RAS) Interconnection | | | | | | | | | | | |
| Port Termination charges apply in all cases | | | | | | | | | | | |
| Per DS1 Port Termination: | | | | | | | | | | | |
| Monthly Recurring Per DS1: | TBD | \$133.89 | \$151.62 | \$133.14 | \$150.86 | \$150.11 | \$162.95 | \$133.22 | \$147.71 | \$146.06 | |
| Non-recurring per DS1: | | | | | | | | | | | |
| Non-recurring initial DS1 | TBD | \$223.59 | \$45.91 | \$147.07 | \$298.18 | \$160.49 | \$222.81 | \$218.28 | \$216.27 | \$166.53 | |
| Non-recurring per additional DS1 | TBD | \$168.60 | \$44.18 | \$111.75 | \$231.23 | \$123.03 | \$168.92 | \$164.55 | \$162.70 | \$124.84 | |
| NRC - Incremental Charge - Manual Service Order - 1st | TBD | \$40.34 | NA | \$18.94 | NA | \$26.20 | \$36.83 | \$38.12 | \$39.63 | \$30.15 | |
| NRC - Incremental Charge - Manual Service Order - Add'l | TBD | \$40.34 | NA | \$18.94 | NA | \$26.20 | \$36.86 | \$38.12 | \$39.63 | \$31.63 | |
| Per DS3 Port Termination: | | | | | | | | | | | |
| Total Monthly Recurring per DS3: | TBD | \$4,130.93 | \$4,755.41 | \$4,178.21 | \$4,687.59 | \$4,794.16 | \$5,105.69 | \$4,237.73 | \$4,666.49 | \$4,611.99 | |
| Total Non-recurring per DS3: | | | | | | | | | | | |
| Non-recurring initial DS3 | TBD | \$961.93 | \$772.93 | \$778.80 | \$946.23 | \$713.57 | \$812.30 | \$798.95 | \$941.07 | \$729.27 | |
| Non-recurring per additional DS3 | TBD | \$532.45 | \$435.92 | \$439.62 | \$516.89 | \$404.36 | \$596.55 | \$582.33 | \$503.72 | \$411.98 | |
| NRC - Incremental Charge - Manual Service Order - 1st | TBD | \$100.19 | NA | \$77.41 | \$93.12 | \$71.19 | \$64.97 | \$91.37 | \$92.52 | \$75.98 | |
| NRC - Incremental Charge - Manual Service Order - Add'l | TBD | \$100.19 | NA | \$77.41 | \$93.12 | \$71.19 | \$64.97 | \$91.37 | \$92.52 | \$75.98 | |
| See Channelization rates in this Exhibit. | | | | | | | | | | | |
| Switching and Transport: | | | | | | | | | | | |
| In addition to Port Termination charges, these charges apply to BellSouth calls originating from BellSouth rate centers that are "intraLATA toll" to the rate center where CLEC-1's RAS is located. | | | | | | | | | | | |
| Interoffice Transport - Dedicated Per DS1 | | | | | | | | | | | |
| Per Mile per month | TBD | \$0.69200 | \$0.60130 | \$0.45230 | \$0.45000 | \$0.78310 | \$0.65980 | \$0.57590 | \$0.75980 | \$0.35250 | |
| Facility Termination per Month | TBD | \$79.69 | \$99.79 | \$78.47 | \$55.05 | \$93.40 | \$74.40 | \$71.32 | \$94.98 | \$75.83 | |
| Non-recurring initial DS1 | TBD | \$223.59 | \$45.91 | \$147.07 | \$298.18 | \$160.49 | \$222.81 | \$218.28 | \$216.27 | \$166.53 | |
| Non-recurring per additional DS1 | TBD | \$168.60 | \$44.18 | \$111.75 | \$231.23 | \$123.03 | \$168.92 | \$164.55 | \$162.70 | \$124.84 | |
| NRC - Incremental Charge - Manual Service Order - 1st | TBD | \$40.34 | NA | \$18.94 | NA | \$26.20 | \$36.83 | \$38.12 | \$39.63 | \$30.15 | |
| NRC - Incremental Charge - Manual Service Order - Add'l | TBD | \$40.34 | NA | \$18.94 | NA | \$26.20 | \$36.86 | \$38.12 | \$39.63 | \$31.63 | |
| Interoffice Transport - Dedicated Per DS3 | | | | | | | | | | | |
| Per Mile per month | TBD | \$12.56 | \$10.22 | \$6.53 | \$12.62 | \$14.04 | \$15.02 | \$13.00 | \$19.08 | \$5.89 | |
| Facility Termination per Month | TBD | \$771.60 | \$984.55 | \$725.53 | \$1,204.00 | \$1,101.00 | \$744.38 | \$720.65 | \$960.82 | \$760.20 | |
| Non-recurring initial DS3 | TBD | \$961.93 | \$772.93 | \$778.80 | \$946.23 | \$713.57 | \$812.30 | \$798.95 | \$941.07 | \$729.27 | |
| Non-recurring per additional DS3 | TBD | \$532.45 | \$435.92 | \$439.62 | \$516.89 | \$404.36 | \$596.55 | \$582.33 | \$503.72 | \$411.98 | |

BELLSOUTH/Accutel RATES
LOCAL INTERCONNECTION

| DESCRIPTION | | USOC | RATES BY STATE | | | | | | | | |
|---|---|------|----------------|-------------|-------------|-------------|-------------|-------------|-------------|-------------|-------------|
| | | | AL | FL | GA | KY | LA | MS | NC | SC | TN |
| | NRC - Incremental Charge - Manual Service Order - 1st | TBD | \$100.19 | NA | \$77.41 | \$93.12 | \$71.19 | \$64.97 | \$91.37 | \$92.52 | \$75.98 |
| | NRC - Incremental Charge - Manual Service Order - Add'l | TBD | \$100.19 | NA | \$77.41 | \$93.12 | \$71.19 | \$64.97 | \$91.37 | \$92.52 | \$75.98 |
| | Common Transport: | | | | | | | | | | |
| | Per Mile per MOU | TBD | \$0.0000100 | \$0.0000120 | \$0.0000080 | \$0.0000049 | \$0.0000083 | \$0.0000091 | \$0.0000400 | \$0.0000121 | \$0.0000400 |
| | Facility Termination - Per MOU | TBD | \$0.0004500 | \$0.0005000 | \$0.0004152 | \$0.0004260 | \$0.0004700 | \$0.0004281 | \$0.0003600 | \$0.0004672 | \$0.0003600 |
| | Tandem Switching: | | | | | | | | | | |
| | Per MOU | TBD | \$0.0006300 | \$0.0002900 | \$0.0006757 | \$0.0010960 | \$0.0043000 | \$0.0007834 | \$0.0015000 | \$0.0006843 | \$0.0006760 |
| | Shared trunk port per port per MOU (EO side) | TBD | \$0.0003300 | \$0.0003986 | \$0.0002126 | \$0.0003796 | \$0.0003000 | \$0.0002834 | \$0.0003693 | \$0.0004034 | \$0.0003904 |
| | Total: | TBD | \$0.0009600 | \$0.0006886 | \$0.0008883 | \$0.0014756 | \$0.0046000 | \$0.0010668 | \$0.0018693 | \$0.0010877 | \$0.0010664 |
| | | | | | | | | | | | |
| | | | | | | | | | | | |
| NOTES: | | | | | | | | | | | |
| If no rate is identified in the contract, the rate for the specific service or function will be as set forth in applicable BellSouth tariff or as negotiated by the parties upon request by either party. | | | | | | | | | | | |

Attachment 4
Physical Collocation

BELLSOUTH PHYSICAL COLLOCATION

1. Scope of Attachment

- 1.1 Scope of Attachment. The rates, terms, and conditions contained within this Attachment shall only apply when Accutel is occupying the Collocation Space as a sole occupant or as a Host within a Premises location pursuant to Section 4.

All the negotiated rates, terms and conditions set forth in this Attachment pertain to collocation and the provisioning of Collocation Space.

- 1.2 Right to occupy. BellSouth shall offer to Accutel collocation on rates, terms, and conditions that are just, reasonable, non-discriminatory and consistent with the rules of the Federal Communications Commission (“FCC”). Subject to Section 4 of this Attachment, BellSouth hereby grants to Accutel a right to occupy that certain area designated by BellSouth within a BellSouth Premises, of a size which is specified by Accutel and agreed to by BellSouth (hereinafter “Collocation Space”). BellSouth Premises include BellSouth Central Offices and Serving Wire Centers, as well as all buildings or similar structures owned or leased by BellSouth that house BellSouth Network Facilities and all structures that house facilities on public rights-of-way, including but not limited to, vaults containing loop concentrators and other similar structures. To the extent this Attachment does not include all the necessary rates, terms and conditions for BellSouth Premises other than BellSouth Central Offices, the Parties will negotiate said rates, terms, and conditions at the request for collocation at BellSouth Premises other than a Central Office. Notwithstanding the foregoing, BellSouth shall consider in its designation for cageless collocation any unused space within the BellSouth Premises. The size specified by Accutel may contemplate a request for space sufficient to accommodate Accutel’s growth within a two year period.
- 1.2.1 Space Reclamation. In the event of space exhaust within a Central Office Premises, BellSouth may include in its documentation for the Petition for Waiver filing any unused space in the Central Office Premises. Accutel will be responsible for any justification of unused space within its space, if such justification is required by the appropriate state commission.
- 1.3 Use of Space. Accutel shall use the Collocation Space for the purposes of installing, maintaining and operating Accutel’s equipment (to include testing and monitoring equipment) used or useful to interconnect with BellSouth services and facilities, including access to unbundled network elements, for the provision of telecommunications services. Pursuant to Section 5 following, Accutel may at its option, place Accutel-owned fiber entrance facilities to the Collocation Space. In addition to, and not in lieu of, interconnection to BellSouth services and facilities, Accutel may connect to other interconnectors within the designated BellSouth Premises (including to its other virtual or physical collocated arrangements) through

co-carrier cross connect facilities designated by Accutel pursuant to section 5.6 following. The Collocation Space may be used for no other purposes except as specifically described herein or authorized in writing by BellSouth.

- 1.4 Rates and charges. Accutel agrees to pay the rates and charges identified in Exhibit A attached hereto.

2. **Space Notification**

- 2.1 Availability of Space. Upon submission of an application pursuant to Section 6, BellSouth will permit Accutel to physically collocate, pursuant to the terms of this Attachment, at any BellSouth Premises, unless BellSouth has determined that there is no space available due to space limitations or that physical collocation is not practical for technical reasons. BellSouth will respond to an application within ten (10) business days as to whether space is available or not available within a BellSouth Premises. If the amount of space requested is not available, BellSouth will notify Accutel of the amount of space that is available.
- 2.2 Reporting. Upon request from Accutel, BellSouth will provide a written report (“Space Availability Report”) specifying the amount of Collocation Space available at the Premises requested, the number of collocators present at the Premises, any modifications in the use of the space since the last report on the Premises requested and the measures BellSouth is taking to make additional space available for collocation arrangements.
- 2.2.1 The request from Accutel for a Space Availability Report must be written and must include the Premises and Common Language Location Identification (“CLLI”) code of the Premises. Such information regarding Premises and CLLI code is located in the National Exchange Carriers Association (NECA) Tariff FCC No. 4.
- 2.2.2 BellSouth will respond to a request for a Space Availability Report for a particular Premises within ten (10) business days of receipt of such request. BellSouth will make best efforts to respond in ten (10) business days to such a request when the request includes from two (2) to five (5) Premises within the same state. The response time for requests of more than five (5) Premises shall be negotiated between the Parties. If BellSouth cannot meet the ten business day response time, BellSouth shall notify Accutel and inform Accutel of the time frame under which it can respond.
- 2.3 Denial of Application. After notifying Accutel that BellSouth has no available space in the requested Premises (“Denial of Application”), BellSouth will allow Accutel, upon request, to tour the entire Premises within ten (10) business days of such Denial of Application. In order to schedule said tour within ten (10) business days, the request for a tour of the Premises must be received by BellSouth within five (5) business days of the Denial of Application.

- 2.4 Filing of Petition for Waiver. Upon Denial of Application BellSouth will timely file a petition with the Commission pursuant to 47 U.S.C. § 251(c)(6).
- 2.5 Waiting List. On a first-come, first-served basis governed by the date of receipt of an application or Letter of Intent, BellSouth will maintain a waiting list of requesting carriers who have either received a Denial of Application or, where it is publicly known that the Premises is out of space, have submitted a Letter of Intent to collocate. BellSouth will notify the telecommunications carriers on the waiting list when space becomes available according to how much space becomes available and the position of telecommunications carrier on said waiting list. Accutel must submit an updated, complete, and correct application to BellSouth within 30 business days or notify BellSouth in writing that Accutel wants to maintain its place on the waiting list either without accepting such space or accepting an amount of space less than its original request. If Accutel does not submit such an application or notify BellSouth in writing as described above, BellSouth will offer such space to the next CLEC on the waiting list and remove Accutel from the waiting list. Upon request, BellSouth will advise Accutel as to its position on the list.
- 2.6 Public Notification. BellSouth will maintain on its Interconnection Services website a notification document that will indicate all Central Offices that are without available space. BellSouth shall update such document within ten (10) business days of the Denial of Application date. BellSouth will also post a document on its Interconnection Services website that contains a general notice where space has become available in a Central Office previously on the space exhaust list. BellSouth shall allocate said available space pursuant to the waiting list referenced in Section 2.5.
- 2.7 State Agency Procedures. Notwithstanding the foregoing, should any state regulatory agency impose procedures or intervals different than procedures or intervals set forth in this section, whether now in effect or that become effective after execution of this Agreement, those procedures or intervals shall supersede the requirements set forth herein for all applications submitted for the first time after the effective date thereof.

3. Collocation Options

- 3.1 Cageless. In accordance and compliance with local building code, BellSouth shall allow Accutel to collocate Accutel's equipment and facilities without requiring the construction of a cage or similar structure and without requiring the creation of a separate entrance to the Collocation Space. BellSouth shall allow Accutel to have direct access to its equipment and facilities but may require Accutel to use a central entrance to the BellSouth Premises. BellSouth shall make cageless collocation available in single bay increments pursuant to Section 7. Except where Accutel's equipment requires special technical considerations (e.g., special cable racking, isolated ground plane), BellSouth shall assign cageless Collocation Space in conventional equipment rack lineups where feasible. For equipment requiring special

- technical considerations, Accutel must provide the equipment layout, including spatial dimensions for such equipment pursuant to generic requirements contained in BellCore (Telcordia) GR-63-Core and shall be responsible for constructing all special technical requirements associated with such equipment pursuant to Section 6.5 following.
- 3.2 Cages and Adjacent Arrangement Enclosures. At Accutel's option and upon request, BellSouth shall construct enclosures in compliance with Accutel's collocation request and in accordance and compliance with local building code. At Accutel's request, BellSouth shall permit Accutel to subcontract the construction of physical collocation arrangements with a contractor certified by BellSouth ("BellSouth Certified Contractor"), provided however, that BellSouth shall not unreasonably withhold approval of contractors.
- 3.3 When Accutel subcontracts the construction, Accutel must arrange with a BellSouth Certified Contractor to construct a collocation arrangement enclosure in accordance with BellSouth's guidelines and specifications and at Accutel's sole expense. BellSouth will provide guidelines and specifications upon request. Where local building codes require enclosure specifications more stringent than BellSouth's standard enclosure specification, Accutel and Accutel's BellSouth Certified Contractor must comply with local building code requirements. Accutel's BellSouth Certified Contractor shall be responsible for filing and receiving any and all necessary permits and/or licenses for such construction. BellSouth shall cooperate with Accutel and provide, at Accutel's expense, the documentation, including architectural drawings, necessary for Accutel to obtain the zoning, permits and/or other licenses. BellSouth shall pass on to Accutel the costs of providing the documentation. The BellSouth Certified Contractor shall bill Accutel directly for all work performed for Accutel pursuant to this Attachment and BellSouth shall have no liability for nor responsibility to pay such charges imposed by the BellSouth Certified Contractor. Accutel must provide the local BellSouth building contact with two Access Keys used to enter the locked enclosure. Except in case of emergency, BellSouth will not access Accutel's locked enclosure prior to notifying Accutel.
- 3.3.1 BellSouth has the right to review Accutel's plans and specifications prior to allowing construction to start. BellSouth has the right to inspect the enclosure after construction to make sure it is designed and constructed according to BellSouth's guidelines and specifications and to require Accutel to remove or correct at Accutel's cost any structure that does not meet these standards.
- 3.4 Shared (Subleased) Caged Collocation. Accutel may allow other telecommunications carriers to share Accutel's caged collocation arrangement pursuant to terms and conditions agreed to by Accutel ("Host") and other telecommunications carriers ("Guests") and pursuant to this section in accordance and compliance with local building code, except where the BellSouth Premises is located within a leased space and BellSouth is prohibited by said lease from offering such an option. Accutel shall notify BellSouth in writing upon execution of any agreement between the Host and its

- Guest within ten (10) business days of its execution and prior to any Firm Order. Further, such notice shall include the name of the Guest(s) and the term of the agreement, and shall contain a certification by Accutel that said agreement imposes upon the Guest(s) the same terms and conditions for Collocation Space as set forth in this Attachment between BellSouth and Accutel.
- 3.4.1 Accutel shall be the sole interface and responsible Party to BellSouth for the purpose of submitting applications for initial and additional equipment placements of Guest; for assessment of rates and charges contained within this Attachment; and for the purposes of ensuring that the safety and security requirements of this Attachment are fully complied with by the Guest, its employees and agents. In the event the Host and Guest jointly submit an initial Application, only one Application Fee will be assessed. A separate initial Guest application shall require the assessment of a Subsequent Application Fee, as set forth in Exhibit A, if this application is not the initial application made for the arrangement. Notwithstanding the foregoing, Guest may arrange directly with BellSouth for the provision of the interconnecting facilities between BellSouth and Guest and for the provision of the services and access to unbundled network elements.
- 3.4.2 Accutel shall indemnify and hold harmless BellSouth from any and all claims, actions, causes of action, of whatever kind or nature arising out of the presence of Accutel's Guests in the Collocation Space except to the extent caused by BellSouth's sole negligence, gross negligence, or willful misconduct.
- 3.5 Adjacent Collocation. BellSouth will provide adjacent collocation arrangements ("Adjacent Arrangement") where space within the Premises is legitimately exhausted, subject to technical feasibility, where the Adjacent Arrangement does not interfere with access to existing or planned structures or facilities on the Premises property and where permitted by zoning and other applicable state and local regulations. The Adjacent Arrangement shall be constructed or procured by Accutel and in conformance with BellSouth's design and construction specifications. Further, Accutel shall construct, procure, maintain and operate said Adjacent Arrangement(s) pursuant to all of the terms and conditions set forth in this Attachment. Rates shall be negotiated at the time of the request for the Adjacent Arrangement.
- 3.4.1 Should Accutel elect such option, Accutel must arrange with a BellSouth Certified Contractor to construct an Adjacent Arrangement structure in accordance with BellSouth's guidelines and specifications. BellSouth will provide guidelines and specifications upon request. Where local building codes require enclosure specifications more stringent than BellSouth's standard specification, Accutel and Accutel's BellSouth Certified Contractor must comply with local building code requirements. Accutel's BellSouth Certified Contractor shall be responsible for filing and receiving any and all necessary zoning, permits and/or licenses for such construction. Accutel's BellSouth Certified Contractor shall bill Accutel directly for all work performed for Accutel pursuant to this Attachment and BellSouth shall have no liability for nor responsibility to pay such charges imposed by the BellSouth

- Certified Contractor. Accutel must provide the local BellSouth building contact with two cards, keys or other access device used to enter the locked enclosure. Except in cases of emergency, BellSouth shall not access Accutel's locked enclosure prior to notifying Accutel.
- 3.4.2 BellSouth maintains the right to review Accutel's plans and specifications prior to construction of an Adjacent Arrangement(s). BellSouth may inspect the Adjacent Arrangement(s) following construction and prior to the Commencement Date, as defined in Section 4.1 following, to ensure the design and construction comply with BellSouth's guidelines and specifications. BellSouth may require Accutel, at Accutel's sole cost, to correct any deviations from BellSouth's guidelines and specifications found during such inspection(s), up to and including removal of the Adjacent Arrangement, within five (5) business days of BellSouth's inspection, unless the Parties mutually agree to an alternative time frame.
- 3.4.3 Accutel shall provide a concrete pad, the structure housing the arrangement, heating/ventilation/air conditioning ("HVAC"), lighting, and all facilities that connect the structure (i.e. racking, conduits, etc.) to the BellSouth point of interconnection. At Accutel's option, and where the local authority having jurisdiction permits, BellSouth shall provide an AC power source and access to physical collocation services and facilities subject to the same nondiscriminatory requirements as applicable to any other physical collocation arrangement. Accutel's BellSouth Certified Contractor shall be responsible for filing and receiving any and all necessary zoning, permits and/or licenses for such arrangement.
- 3.5.1 BellSouth shall allow Shared (Subleased) Caged Collocation within an Adjacent Arrangement pursuant to the terms and conditions set forth in Section 3.3 preceding.
- 4. Occupancy**
- 4.1 Commencement Date. The "Commencement Date" shall be the day Accutel's equipment becomes operational as described in Article 4.2, following.
- 4.2 Occupancy. BellSouth will notify Accutel in writing that the Collocation Space is ready for occupancy. Accutel must notify BellSouth in writing that collocation equipment installation is complete and is operational with BellSouth's network. BellSouth may, at its option, not accept orders for interconnected service until receipt of such notice. For purposes of this paragraph, Accutel's telecommunications equipment will be deemed operational when cross-connected to BellSouth's network for the purpose of service provision.
- 4.3 Termination. Except where otherwise agreed to by the Parties, Accutel may terminate occupancy in a particular Collocation Space upon thirty (30) business days prior written notice to BellSouth. Upon termination of such occupancy, Accutel at its expense shall remove its equipment and other property from the Collocation Space.

Accutel shall have thirty (30) business days from the termination date to complete such removal, including the removal of all equipment and facilities of Accutel's Guests; provided, however, that Accutel shall continue payment of monthly fees to BellSouth until such date as Accutel has fully vacated the Collocation Space. Should Accutel or Accutel's Guest fail to vacate the Collocation Space within thirty (30) business days from the termination date, BellSouth shall have the right to remove the equipment and other property of Accutel or Accutel's Guest at Accutel's expense and with no liability for damage or injury to Accutel or Accutel's Guest's property unless caused by the gross negligence or intentional misconduct of BellSouth. Upon expiration of this Attachment with respect to a Collocation Space, Accutel shall surrender such Collocation Space to BellSouth in the same condition as when first occupied by the Accutel except for ordinary wear and tear unless otherwise agreed to by the Parties. Accutel shall be responsible for the cost of removing any enclosure, together with all support structures (e.g., racking, conduits), of an Adjacent Collocation arrangement at the termination of occupancy and restoring the grounds to their original condition.

5. Use of Collocation Space

5.1 Equipment Type. BellSouth permits the collocation of any type of equipment used or useful for interconnection to BellSouth's network or for access to unbundled network elements in the provision of telecommunications services. Such equipment used or useful for interconnection and access to unbundled network elements includes, but is not limited to transmission equipment including, but not limited to, optical terminating equipment and multiplexers, and digital subscriber line access multiplexers, routers, asynchronous transfer mode multiplexers, and remote switching modules. Nothing in this section requires BellSouth to permit collocation of equipment used solely to provide enhanced services; provided, however, that BellSouth may not place any limitations on the ability of requesting carriers to use all the features, functions, and capabilities of equipment collocated pursuant to this section.

5.1.1 Such equipment must at a minimum meet the following BellCore (Telcordia) Network Equipment Building Systems (NEBS) General Equipment Requirements: Criteria Level 1 requirements as outlined in the BellCore (Telcordia) Special Report SR-3580, Issue 1; equipment design spatial requirements per GR-63-CORE, Section 2; thermal heat dissipation per GR-063-CORE, Section 4, Criteria 77-79; acoustic noise per GR-063-CORE, Section 4, Criterion 128, and National Electric Code standards.

5.1.2 Accutel shall not use the Collocation Space for marketing purposes nor shall it place any identifying signs or markings in the area surrounding the Collocation Space or on the grounds of the Premises.

- 5.1.3 Accutel shall place a plaque or other identification affixed to Accutel's equipment necessary to identify Accutel's equipment, including a list of emergency contacts with telephone numbers.
- 5.2 Entrance Facilities. Accutel may elect to place Accutel-owned or Accutel-leased fiber entrance facilities into the Collocation Space. BellSouth will designate the point of entrance in close proximity to the Premises building housing the Collocation Space, such as an entrance manhole or a cable vault which are physically accessible by both Parties. Accutel will provide and place fiber cable at the point of entrance of sufficient length to be pulled through conduit and into the splice location. Accutel will provide and install a sufficient length of fire retardant riser cable, to which the entrance cable will be spliced, which will extend from the splice location to Accutel's equipment in the Collocation Space. In the event Accutel utilizes a non-metallic, riser-type entrance facility, a splice will not be required. Accutel must contact BellSouth for instructions prior to placing the entrance facility cable in the manhole. Accutel is responsible for maintenance of the entrance facilities. At Accutel's option BellSouth will accommodate where technically feasible a microwave entrance facility pursuant to separately negotiated terms and conditions.
- 5.2.1 Dual Entrance. BellSouth will provide at least two interconnection points at each Premises where there are at least two such interconnection points available and where capacity exists. Upon receipt of a request for physical collocation under this Attachment, BellSouth shall provide Accutel with information regarding BellSouth's capacity to accommodate dual entrance facilities. If conduit in the serving manhole(s) is available and is not reserved for another purpose for utilization within 12 months of the receipt of an application for collocation, BellSouth will make the requested conduit space available for installing a second entrance facility to Accutel's arrangement. The location of the serving manhole(s) will be determined at the sole discretion of BellSouth. Where dual entrance is not available due to lack of capacity, BellSouth will so state in the Application Response.
- 5.2.2 Shared Use. Accutel may utilize spare capacity on an existing interconnector entrance facility for the purpose of providing an entrance facility to another Accutel collocation arrangement within the same BellSouth Premises. Accutel must arrange with BellSouth for BellSouth to splice the utilized entrance facility capacity to Accutel-provided riser cable.
- 5.3 Splicing in the Entrance Manhole. Although not generally permitted, should Accutel request a splice to occur in the entrance manhole(s), BellSouth, at its sole discretion, may grant such a request. When the request for a splice is granted to Accutel by BellSouth, Accutel shall ensure its employees or agents entering and/or performing work in the entrance manhole(s) are trained and comply with BellSouth procedures and OSHA requirements regarding access to manholes and that BellSouth personnel are notified and present for all entrances and work performed in the entrance manhole(s). Manhole covers shall be properly closed and secured at the conclusion of entry and/or work. Advance notification to BellSouth shall occur at a minimum of 48

- hours prior to desired entry for normal work activities and at a minimum of 2 hours prior to desired entry in an out of service condition.
- 5.4 Demarcation Point. BellSouth will designate the point(s) of interconnection between Accutel's equipment and/or network and BellSouth's network. Each Party will be responsible for maintenance and operation of all equipment/facilities on its side of the demarcation point. For 2-wire and 4-wire connections to BellSouth's network, the demarcation point shall be a common block on the BellSouth designated conventional distributing frame. Accutel shall be responsible for providing, and a supplier certified by BellSouth ("Accutel's BellSouth Certified Supplier") shall be responsible for installing and properly labeling/stenciling, the common block, and necessary cabling pursuant to Section 6.4. For all other terminations BellSouth shall designate a demarcation point on a per arrangement basis. Accutel or its agent must perform all required maintenance to equipment/facilities on its side of the demarcation point, pursuant to Section 5.5, following, and may self-provision cross-connects that may be required within the Collocation Space to activate service requests. At Accutel's option and expense, a Point of Termination ("POT") bay or frame may be placed in the Collocation Space, but will not serve as the demarcation point. Accutel must make arrangements with a BellSouth Certified Supplier for such placement.
- 5.5 Accutel's Equipment and Facilities. Accutel, or if required by this Attachment, Accutel's BellSouth Certified Supplier, is solely responsible for the design, engineering, installation, testing, provisioning, performance, monitoring, maintenance and repair of the equipment and facilities used by Accutel. Such equipment and facilities may include but are not limited to cable(s); equipment; and point of termination connections.
- 5.6 Co-carrier cross-connect. In addition to, and not in lieu of, obtaining interconnection with, or access to, BellSouth's telecommunications services, unbundled network elements, and facilities, Accutel may directly connect to other interconnectors within the designated BellSouth Premises (including to its other virtual or physical collocated arrangements) through facilities owned by Accutel or through BellSouth facilities designated by Accutel, at Accutel's option. Such connections to other carriers may be made using either optical or electrical facilities. Accutel may deploy such optical or electrical connections directly between its own facilities and the facilities of other interconnector(s) without being routed through BellSouth equipment.
- 5.6.1 If Accutel requests a co-carrier cross-connect after the initial installation, Accutel must submit an application with a Subsequent Application Fee. Accutel must use a BellSouth Certified Supplier to place the co-carrier cross connect, except in cases where the Accutel equipment and the equipment of the other interconnector are located within contiguous Collocation Spaces. In cases where Accutel's equipment and the equipment of the other interconnector are located in contiguous Collocation Spaces, Accutel will have the option to deploy the co-carrier cross connects between the sets of equipment. Where cable support structure exists for such connection, there

- will be a recurring charge per linear foot of support structure used. When cable support structures do not exist and must be constructed, a pro-rated non-recurring charge for the individual case will be assessed to all that benefit from that construction.
- 5.7 BellSouth's Access to Collocation Space. From time to time BellSouth may require access to the Collocation Space. BellSouth retains the right to access such space for the purpose of making BellSouth equipment and building modifications (e.g., running, altering or removing racking, ducts, electrical wiring, HVAC, and cables). BellSouth will give reasonable notice to Accutel when access to the Collocation Space is required. Accutel may elect to be present whenever BellSouth performs work in the Collocation Space. The Parties agree that Accutel will not bear any of the expense associated with this work.
- 5.8 Access. Pursuant to Section 11, Accutel shall have access to the Collocation Space twenty-four (24) hours a day, seven (7) days a week. Accutel agrees to provide the name and social security number or date of birth or driver's license number of each employee, contractor, or agents of Accutel or Accutel's Guests provided with access keys or cards ("Access Keys") prior to the issuance of said Access Keys. Access Keys shall not be duplicated under any circumstances. Accutel agrees to be responsible for all Access Keys and for the return of all said Access Keys in the possession of Accutel employees, contractors, Guests, or agents after termination of the employment relationship, contractual obligation with Accutel or upon the termination of this Attachment or the termination of occupancy of an individual collocation arrangement.
- 5.8.1 Lost or Stolen Access Keys. Accutel shall notify BellSouth in writing immediately in the case of lost or stolen Access Keys. Should it become necessary for BellSouth to re-key buildings or deactivate a card as a result of a lost Access Key(s) or for failure to return an Access Key(s), Accutel shall pay for all reasonable costs associated with the re-keying or deactivating the card.
- 5.9 Interference or Impairment. Notwithstanding any other provisions of this Attachment, equipment and facilities placed in the Collocation Space shall not interfere with or impair service provided by BellSouth or by any other interconnector located in the Premises; shall not endanger or damage the facilities of BellSouth or of any other interconnector, the Collocation Space, or the Premises; shall not compromise the privacy of any communications carried in, from, or through the Premises; and shall not create an unreasonable risk of injury or death to any individual or to the public. If BellSouth reasonably determines that any equipment or facilities of Accutel violates the provisions of this paragraph, BellSouth shall give written notice to Accutel, which notice shall direct Accutel to cure the violation within forty-eight (48) hours of Accutel's actual receipt of written notice or, at a minimum, to commence curative measures within 24 hours and to exercise reasonable diligence to complete such measures as soon as possible thereafter. After receipt of the notice, the Parties agree to consult immediately and, if necessary, to inspect the arrangement. If Accutel fails

- to take curative action within 48 hours or if the violation is of a character which poses an immediate and substantial threat of damage to property, injury or death to any person, or interference/impairment of the services provided by BellSouth or any other interconnector, then and only in that event BellSouth may take such action as it deems appropriate to correct the violation, including without limitation the interruption of electrical power to Accutel's equipment. BellSouth will endeavor, but is not required, to provide notice to Accutel prior to taking such action and shall have no liability to Accutel for any damages arising from such action, except to the extent that such action by BellSouth constitutes willful misconduct.
- 5.10 Personalty and its Removal. Subject to requirements of this Attachment, Accutel may place or install in or on the Collocation Space such facilities and equipment, including storage for spare equipment, as it deems desirable for the conduct of business, provided that such equipment is telecommunications equipment, does not violate floor loading requirements, nor imposes or could impose or contains or could contain environmental conditions or hazards. Personal property, facilities and equipment placed by Accutel in the Collocation Space shall not become a part of the Collocation Space, even if nailed, screwed or otherwise fastened to the Collocation Space, but shall retain their status as personalty and may be removed by Accutel at any time. Any damage caused to the Collocation Space by Accutel's employees, agents or representatives during the removal of such property shall be promptly repaired by Accutel at its expense.
- 5.11 Alterations. In no case shall Accutel or any person acting on behalf of Accutel make any rearrangement, modification, improvement, addition, repair, or other alteration which could affect in any way space, power, HVAC, and/or safety considerations to the Collocation Space or the BellSouth Premises without the written consent of BellSouth, which consent shall not be unreasonably withheld. The cost of any such specialized alterations shall be paid by Accutel. Any material rearrangement, modification, improvement, addition, repair, or other alteration shall require a Subsequent Application and Subsequent Application Fee, pursuant to sub-section 6.2.2
- 5.12 Janitorial Service. Accutel shall be responsible for the general upkeep and cleaning of the Caged Collocation Space and shall arrange directly with a BellSouth Certified Contractor for janitorial services. BellSouth shall provide a list of such contractors on a site-specific basis upon request.
- 6. Ordering and Preparation of Collocation Space**
- 6.1 Should any state regulatory agency impose procedures or intervals different than procedures or intervals set forth in this section, whether now in effect or that become effective after execution of this Agreement, those procedures or intervals shall supersede the requirements set forth herein for all applications submitted for the first time after the effective date thereof.

- 6.2 Application for Space. Accutel shall submit an application document when Accutel or Accutel's Guest(s), as defined in Section 3.3, desires to request or modify the use of the Collocation Space.
- 6.2.1 Initial Application. For Accutel or Accutel's Guest(s) initial equipment placement, Accutel shall submit to BellSouth a Physical Expanded Interconnection Application Document ("Application"), together with payment of the Application Fee as stated in Exhibit A. The Application is Bona Fide when it is complete and accurate, meaning that all required fields on the application are completed with the appropriate type of information. The Bona Fide Application shall contain a detailed description and schematic drawing of the equipment to be placed in Accutel's Collocation Space(s) and an estimate of the amount of square footage required.
- 6.2.2 Subsequent Application Fee. In the event Accutel or Accutel's Guest(s) desire to modify the use of the Collocation Space, Accutel shall complete an Application document detailing all information regarding the modification to the Collocation Space together with payment of the minimum Subsequent Application Fee as stated in Exhibit A. Said minimum Subsequent Application Fee shall be considered a partial payment of the applicable Subsequent Application Fee which shall be calculated as set forth below. BellSouth shall determine what modifications, if any, to the Premises are required to accommodate the change requested by Accutel in the Application. Such necessary modifications to the Premises may include but are not limited to, floor loading changes, changes necessary to meet HVAC requirements, changes to power plant requirements, and equipment additions. The fee paid by Accutel for its request to modify the use of the Collocation Space shall be dependent upon the level of assessment needed for the modification requested. Where the subsequent Application does not require assessment for provisioning or construction work by BellSouth, no Subsequent Application Fee will be required and the pre-paid fee shall be refunded to Accutel. The fee for an Application where the modification requested has limited effect (e.g., does not require assessment related to capital expenditure by BellSouth) shall be the Subsequent Application Fee as set forth in Exhibit A. If the modification requires capital expenditure assessment, a fee ranging from the minimum Subsequent Application Fee up to the full Application Fee for the appropriate state shall apply. In the event such modifications require the assessment of a full Application Fee as set forth in Exhibit A, the outstanding balance shall be due by Accutel within 30 calendar days following Accutel's receipt of a bill or invoice from BellSouth.
- 6.3 Application Response. In addition to the notice of space availability pursuant to Section 2.1, BellSouth will respond within ten (10) business days of receipt of an Application stating whether the Application is Bona Fide, and if it is not Bona Fide, the items necessary to cause the Application to become Bona Fide. When space has been determined to be available, BellSouth will provide a comprehensive written response ("Application Response") within thirty (30) business days of receipt of a Bona Fide Application. The Application Response will include the configuration of the space, the Cable Installation Fee, and the estimated Space Preparation Fee, as described in Section 7. When multiple applications are submitted within a fifteen

- (15) business day window, BellSouth will respond to the Bona Fide Applications as soon as possible, but no later than the following: within thirty (30) business days for Bona Fide Applications 1-5; within thirty-six (36) business days for Bona Fide Applications 6-10; within forty-two (42) business days for Bona Fide Applications 11-15. Response intervals for multiple Bona Fide Applications submitted within the same timeframe for the same state in excess of 15 must be negotiated. All negotiations shall consider the total volume from all requests from telecommunications companies for collocation.
- 6.4 Application Modifications. If a modification or revision is made to any information in Sections 2 through 12 or 15 of a Bona Fide Application for Physical Collocation, or Sections 2 through 10 or 13 of a Bona Fide Application for Adjacent Collocation, either at the request of Accutel or necessitated by technical considerations, BellSouth will respond to the Bona Fide Application within thirty (30) business days after BellSouth receives such application or at such other date as the Parties agree. If, at any time, BellSouth needs to reevaluate Accutel's Bona Fide Application as a result of changes requested by Accutel to Accutel's original application, then BellSouth will charge Accutel a fee based upon the additional engineering hours required to do the reassessment. Major changes such as requesting additional space or adding additional equipment may require Accutel to resubmit the application with an Application Fee. Accutel may modify or revise Section 1, 13, 14, or 16 of a Bona Fide Application for Physical Collocation, or Sections 1, 11, or 12 of a Bona Fide Application for Adjacent Collocation, without incurring additional expense or a longer Application Response interval.
- 6.5 Bona Fide Firm Order. Accutel shall indicate its intent to proceed with equipment installation in a BellSouth Premises by submitting a Bona Fide Firm Order to BellSouth. A Bona Fide Firm Order requires Accutel to complete the Application/Inquiry process described in Section 6.2, preceding, and submit the Physical Expanded Interconnection Firm Order document (BSTEI-1P-F) indicating acceptance of the Application Response provided by BellSouth ("Bona Fide Firm Order") and all appropriate fees, as set forth in Section 7. The Bona Fide Firm Order must be received by BellSouth no later than thirty (30) business days after BellSouth's Application Response to Accutel's Bona Fide Application.
- 6.5.1 BellSouth will establish a firm order date based upon the date BellSouth is in receipt of a Bona Fide Firm Order. BellSouth will acknowledge the receipt of Accutel's Bona Fide Firm Order within seven (7) calendar days of receipt indicating that the Bona Fide Firm Order has been received. A BellSouth response to a Bona Fide Firm Order will include a Firm Order Confirmation containing the firm order date. No revisions will be made to a Bona Fide Firm Order.
- 6.5.2 BellSouth will permit one accompanied site visit to Accutel's designated collocation arrangement location after receipt of the Bona Fide Firm Order without charge to Accutel.

- 6.5.3 Space preparation for the Collocation Space will not begin until BellSouth receives the Bona Fide Firm Order and all applicable fees.
- 6.5.4 Accutel must submit to BellSouth the completed Access Control Request Form (RF-2906-C) for all employees or agents requiring access to the BellSouth Premises a minimum of 30 calendar days prior to the date Accutel desires access to the Collocation Space.
- 6.6 Construction and Provisioning Interval. BellSouth will negotiate construction and provisioning intervals on an individual case basis. Excluding the time interval required to secure the appropriate government licenses and permits, BellSouth will use best efforts to complete construction for collocation arrangements under ordinary conditions as soon as possible and within a maximum of 120 calendar days from receipt of a Bona Fide Firm Order. Ordinary conditions are defined as space available with only minor changes to support systems required, such as but not limited to, HVAC, cabling and the power plant(s). Excluding the time interval required to secure the appropriate government licenses and permits, BellSouth will use best efforts to complete construction of all other Collocation Space ("extraordinary conditions") within 180 calendar days of the receipt of a Bona Fide Firm Order. Extraordinary conditions are defined to include but are not limited to major BellSouth equipment rearrangement or addition; power plant addition or upgrade; major mechanical addition or upgrade; major upgrade for ADA compliance; environmental hazard or hazardous materials abatement; and arrangements for which equipment shipping intervals are extraordinary in length.
- 6.6.1 Joint Planning Meeting. Unless otherwise agreed to by the Parties, a joint planning meeting or other method of joint planning between BellSouth and Accutel will commence within a maximum of twenty (20) calendar days from BellSouth's receipt of a Bona Fide Firm Order and the payment of agreed upon fees. At such meeting, the Parties will agree to the preliminary design of the Collocation Space and the equipment configuration requirements as reflected in the Bona Fide Application and affirmed in the Bona Fide Firm Order. The Collocation Space completion time period will be provided to Accutel during the joint planning meeting or as soon as possible thereafter. BellSouth will complete all design work following the joint planning meeting.
- 6.6.2 Permits. Each Party or its agents will diligently pursue filing for the permits required for the scope of work to be performed by that Party or its agents within ten (10) calendar days of the completion of finalized construction designs and specifications.
- 6.6.3 Acceptance Walk Through. Accutel and BellSouth will complete an acceptance walk through of each Collocation Space requested from BellSouth by Accutel. BellSouth will correct any deviations to Accutel's original or jointly amended requirements within seven (7) calendar days after the walk through, unless the Parties jointly agree upon a different time frame.

- 6.7 Use of BellSouth Certified Supplier. Accutel shall select a supplier which has been approved as a BellSouth Certified Supplier to perform all engineering and installation work required in TR 73503 in the Collocation Space. In some cases, Accutel must select separate BellSouth Certified Suppliers for transmission equipment, switching equipment and power equipment. BellSouth shall provide Accutel with a list of BellSouth Certified Suppliers upon request. The BellSouth Certified Supplier(s) shall be responsible for installing Accutel's equipment and components, installing co-carrier cross connects, extending power cabling to the BellSouth power distribution frame, performing operational tests after installation is complete, and notifying BellSouth's equipment engineers and Accutel upon successful completion of installation. The BellSouth Certified Supplier shall bill Accutel directly for all work performed for Accutel pursuant to this Attachment and BellSouth shall have no liability for nor responsibility to pay such charges imposed by the BellSouth Certified Supplier. BellSouth shall consider certifying Accutel or any supplier proposed by Accutel.
- 6.8 Alarm and Monitoring. BellSouth shall place environmental alarms in the Premises for the protection of BellSouth equipment and facilities. Accutel shall be responsible for placement, monitoring and removal of environmental and equipment alarms used to service Accutel's Collocation Space. Upon request, BellSouth will provide Accutel with applicable tariffed service(s) to facilitate remote monitoring of collocated equipment by Accutel. Both Parties shall use best efforts to notify the other of any verified environmental hazard known to that Party. The Parties agree to utilize and adhere to the Environmental Hazard Guidelines identified as Exhibit B attached hereto.
- 6.9 Basic Telephone Service. Upon request of Accutel, BellSouth will provide basic telephone service to the Collocation Space under the rates, terms and conditions of the current tariff offering for the service requested.
- 6.10 Space Preparation. BellSouth shall pro rate the costs of any renovation or upgrade to Premises space or support mechanisms which is required to accommodate physical collocation, unless otherwise specified in Attachment A. Accutel's pro rated share will be calculated by multiplying such cost by a percentage equal to the amount of square footage occupied by Accutel divided by the total Premises square footage receiving renovation or upgrade. For this section, support mechanisms provided by BellSouth may include, but not be limited to, HVAC equipment, HVAC duct work, cable support structure, fire wall(s), mechanical upgrade, asbestos abatement, or ground plane addition. Such renovation or upgrade will be evaluated and the charges assessed on a per Premises basis. BellSouth will reimburse Accutel in an amount equal to Accutel's reasonable, demonstrative and mitigated expenditures incurred as a direct result of delays to the completion and turnover dates caused by BellSouth.
- 6.11 Virtual Collocation Transition. BellSouth offers Virtual Collocation pursuant to the rates, terms and conditions set forth in its F.C.C. Tariff No. 1. For the interconnection to BellSouth's network and access to BellSouth unbundled network

elements, Accutel may purchase 2-wire and 4-wire cross-connects as set forth in Exhibit A, and Accutel may place within its Virtual Collocation arrangements the telecommunications equipment set forth in Section 5.1. In the event physical Collocation Space was previously denied at a location due to technical reasons or space limitations, and that physical Collocation Space has subsequently become available, Accutel may transition its virtual collocation arrangements to physical collocation arrangements and pay the appropriate non-recurring fees for physical collocation and for the rearrangement or reconfiguration of services terminated in the virtual collocation arrangement, as outlined in the appropriate BellSouth tariffs. In the event that BellSouth knows when additional space for physical collocation may become available at the location requested by Accutel, such information will be provided to Accutel in BellSouth's written denial of physical collocation. To the extent that (i) physical Collocation Space becomes available to Accutel within 180 calendar days of BellSouth's written denial of Accutel's request for physical collocation, and (ii) Accutel was not informed in the written denial that physical Collocation Space would become available within such 180 calendar days, then Accutel may transition its virtual collocation arrangement to a physical collocation arrangement and will receive a credit for any nonrecurring charges previously paid for such virtual collocation. Accutel must arrange with a BellSouth Certified Supplier for the relocation of equipment from its virtual Collocation Space to its physical Collocation Space and will bear the cost of such relocation.

- 6.12 Cancellation. If, at anytime, Accutel cancels its order for the Collocation Space(s), Accutel will reimburse BellSouth for any expenses incurred up to the date that written notice of the cancellation is received. In no event will the level of reimbursement under this paragraph exceed the maximum amount Accutel would have otherwise paid for work undertaken by BellSouth if no cancellation of the order had occurred.
- 6.13 Licenses. Accutel, at its own expense, will be solely responsible for obtaining from governmental authorities, and any other appropriate agency, entity, or person, all rights, privileges, and licenses necessary or required to operate as a provider of telecommunications services to the public or to occupy the Collocation Space.

7. Rates and Charges

- 7.1 Non-recurring Fees. In addition to the Application Fee referenced in Section 6, preceding, Accutel shall remit payment of a Cable Installation Fee and one-half (1/2) of the estimated Space Preparation Fee, as applicable, coincident with submission of a Bona Fide Firm Order. The estimated Space Preparation Fee and the Cable Installation Fee shall be included in the Application Response. The outstanding balance of the actual Space Preparation Fee shall be due thirty (30) calendar days following Accutel's receipt of a bill or invoice from BellSouth. Once the installation of the initial equipment arrangement is complete, a subsequent application fee may apply (as described in Section 6.2.2) if Accutel requests a modification to the arrangement.

- 7.2 Documentation. Upon request following the receipt of a bill or invoice from BellSouth for the outstanding balance of the actual Space Preparation Fee, BellSouth shall provide documentation to establish the actual Space Preparation Fee. The Space Preparation Fee will be pro rated as prescribed in Section 6, preceding.
- 7.3 Space Preparation Fee in North Carolina. In North Carolina, the Space Preparation Fee is a monthly recurring charge, assessed per arrangement, per location, which is due beginning with the date on which BellSouth releases the Collocation Space for occupancy or on the date Accutel first occupies the Collocation Space, which include survey, engineering, design and modification costs for network, building and support systems. In the event Accutel opts for cageless space, the space preparation charge will be assessed based on the total floor space dedicated to Accutel as described in Section 7.5. The Space Preparation Fee always consists of charges for Central Office Modifications, Power, and Common Systems Modifications. The charge for Common Systems Modification will be on a per square foot basis for cageless and on a per cage basis for caged collocation. The charge for Power will be assessed per the nominal -48V DC ampere requirements specified by Accutel on the Bona Fide Application.
- 7.4 Cable Installation. Cable Installation Fee(s) are assessed per entrance fiber placed.
- 7.5 Floor Space. The floor space charge includes reasonable charges for lighting, HVAC, and other allocated expenses associated with maintenance of the Premises but does not include amperage necessary to power Accutel's equipment. When the Collocation Space is enclosed, Accutel shall pay floor space charges based upon the number of square feet so enclosed. When the Collocation Space is not enclosed, Accutel shall pay floor space charges based upon the following floor space calculation: [(depth of the equipment lineup in which the rack is placed) + (0.5 x maintenance aisle depth) + (0.5 x wiring aisle depth)] X (width of rack and spacers). For purposes of this calculation, the depth of the equipment lineup shall consider the footprint of equipment racks plus any equipment overhang. BellSouth will assign unenclosed Collocation Space in conventional equipment rack lineups where feasible. In the event Accutel's collocated equipment requires special cable racking, isolated grounding or other treatment which prevents placement within conventional equipment rack lineups, Accutel shall be required to request an amount of floor space sufficient to accommodate the total equipment arrangement. Floor space charges are due beginning with the date on which BellSouth releases the Collocation Space for occupancy or on the date Accutel first occupies the Collocation Space, whichever is sooner.
- 7.6 Power. BellSouth shall make available -48 Volt (-48V) DC power for Accutel's Collocation Space at a BellSouth Power Board or BellSouth Batter Distribution Fuse Bay ("BDFB") at Accutel's option within the Premises.
- 7.6.1 Recurring charges for -48V DC power will be assessed per ampere per month based upon the BellSouth Certified Supplier engineered and installed power feed fused

- ampere capacity. Rates include redundant feeder fuse positions (A&B) and common cable rack to Accutel's equipment or space enclosure. When obtaining power from a BDFB, fuses and power cables (A&B) must be engineered (sized), and installed by Accutel's BellSouth Certified Supplier. When obtaining power from a BellSouth power board, power cables (A&B) must be engineered (sized), and installed by Accutel's BellSouth Certified power Supplier. Accutel's BellSouth Certified Supplier must also provide a copy of the engineering power specification prior to the Commencement Date.
- 7.6.2 The non-recurring construction charge for construction of additional DC power plant or upgrade of the existing DC power plant in a Premises as a result of Accutel's request to collocate in that Premises ("Power Plant Construction"), will be assessed per the nominal -48V DC ampere requirements specified by Accutel on the physical collocation application. BellSouth reserves the right to monitor actual usage to verify accuracy of Accutel's power requirements. Accutel shall pay its pro-rated share of costs associated with the Power Plant Construction, including but not limited to, standby AC plant elements, DC power plant elements, and the BDFB, where applicable. If Accutel does not require power feeders from a BDFB, the BDFB component will not be applied to the Power Plant Construction charge. If Accutel requires power feeders from both a BellSouth power board and a BellSouth BDFB, the Power Plant Construction charge will include all three components for the amount of nominal current fed from the BDFB, but will only include the standby AC and DC power plant components for the amount of nominal current fed from the power board. BellSouth shall comply with all BellCore (Telcordia) and ANSI Standards regarding power cabling, including BellCore (Telcordia) Network Equipment Building System (NEBS) Standard GR-63-CORE. The costs of Power Plant Construction shall be pro-rated and shared among all who benefit from that construction. Accutel shall pay BellSouth one-half of its prorata share of the estimated Power Plant Construction costs prior to commencement of the work. Accutel shall pay BellSouth the balance due (actual cost less one-half of the estimated cost) within thirty (30) calendar days of completion of the Power Plant Construction.
- 7.6.3 If BellSouth has not previously invested in power plant capacity for collocation at a specific site, Accutel has the option to add its own dedicated power plant; provided, however, that such work shall be performed by a BellSouth Certified Supplier who shall comply with BellSouth's guidelines and specifications. Where the addition of Accutel's dedicated power plant results in construction of a new power plant room, upon termination of this Agreement, Accutel shall have the right to remove its equipment from the power plant room, but shall otherwise leave the room intact. Accutel is responsible for contracting with a BellSouth Certified Supplier for power distribution feeder cable runs from a BellSouth BDFB or power board to Accutel's equipment. When obtaining power from a BellSouth BDFB or miscellaneous fuse positions on a BellSouth power board, power cables must be engineered, furnished and installed by Accutel using a BellSouth Certified power Supplier. Determination of the BellSouth BDFB or BellSouth power board as the power source will be made at BellSouth's sole, but reasonable, discretion. The BellSouth Certified Supplier

- contracted by Accutel must provide BellSouth a copy of the engineering power specifications prior to the Commencement Date. BellSouth will provide the power feeder cable support structure between the BellSouth BDFB or power board and Accutel's arrangement area. Accutel shall contract a BellSouth Certified Supplier who will be responsible for the following: power cable support structure within Accutel's arrangement; power cable feeds; terminations of cable. Any terminations at a BellSouth power board must be performed by a BellSouth Certified power Supplier. Accutel shall comply with all applicable National Electric Code (NEC), BellSouth TR-73503, BellCore (Telcordia) and ANSI Standards regarding power cabling.
- 7.6.4 If Accutel elects to install its own DC Power Plant, BellSouth shall provide AC power to feed Accutel's DC Power Plant. Charges for AC power will be assessed per breaker ampere per month. Rates include the provision of commercial and standby AC power. When obtaining power from a BellSouth service panel, protection devices and power cables must be engineered (sized), and installed by Accutel's BellSouth Certified Supplier except that BellSouth shall engineer and install protection devices and power cables for Adjacent Collocation. Accutel's BellSouth Certified Supplier must also provide a copy of the engineering power specification prior to the Commencement Date. Charges for AC power shall be assessed pursuant to the rates specified in Exhibit A. AC power voltage and phase ratings shall be determined on a per location basis. At Accutel's option, Accutel may arrange for AC power in an Adjacent Collocation arrangement from a retail provider of electrical power.
- 7.7 Security Escort. A security escort will be required whenever Accutel or its approved agent desires access to the entrance manhole or must have access to the Premises after the one accompanied site visit allowed pursuant to Section 6.4.2 prior to completing BellSouth's Security Training requirements and/or prior to Space Acceptance. Rates for a security escort are assessed in one-half (1/2) hour increments according to the schedule appended hereto as Exhibit A.
- 7.8 Rate "True-Up". The Parties agree that the prices reflected as interim herein shall be "trued-up" (up or down) based on final prices either determined by further agreement or by final order, including any appeals, in a proceeding involving BellSouth before the regulatory authority for the state in which the services are being performed or any other body having jurisdiction over this Agreement (hereinafter "Commission"). Under the "true-up" process, the interim price for each service shall be multiplied by the volume of that service purchased to arrive at the total interim amount paid for that service ("Total Interim Price"). The final price for that service shall be multiplied by the volume purchased to arrive at the total final amount due ("Total Final Price"). The Total Interim Price shall be compared with the Total Final Price. If the Total Final Price is more than the Total Interim Price, Accutel shall pay the difference to BellSouth. If the Total Final Price is less than the Total Interim Price, BellSouth shall pay the difference to Accutel. Each Party shall keep its own records upon which a "true-up" can be based and any final payment from one Party to the other shall be in an amount agreed upon by the Parties based on such records. In the event of any disagreement as between the records or the Parties regarding the amount of such

“true-up,” the Parties agree that the Commission shall be called upon to resolve such differences.

7.9 Other. If no rate is identified in the contract, the rate for the specific service or function will be negotiated by the Parties upon request by either Party. Payment of all other charges under this Attachment shall be due thirty (30) calendar days after receipt of the bill (payment due date). Accutel will pay a late payment charge of one and one-half percent (1-1/2%) assessed monthly on any balance which remains unpaid after the payment due date.

8. Insurance

8.1 Accutel shall, at its sole cost and expense, procure, maintain, and keep in force insurance as specified in this Section 8 and underwritten by insurance companies licensed to do business in the states applicable under this Attachment and having a Best's Insurance Rating of A-.

8.2 Accutel shall maintain the following specific coverage:

8.2.1 Commercial General Liability coverage in the amount of ten million dollars (\$10,000,000.00) or a combination of Commercial General Liability and Excess/Umbrella coverage totaling not less than ten million dollars (\$10,000,000.00). BellSouth shall be named as an Additional Insured on the Commercial General Liability policy as specified herein.

8.2.2 Statutory Workers Compensation coverage and Employers Liability coverage in the amount of one hundred thousand dollars (\$100,000.00) each accident, one hundred thousand dollars (\$100,000.00) each employee by disease, and five hundred thousand dollars (\$500,000.00) policy limit by disease.

8.2.3 All Risk Property coverage on a full replacement cost basis insuring all of Accutel's real and personal property situated on or within BellSouth's Central Office location(s).

8.2.4 Accutel may elect to purchase business interruption and contingent business interruption insurance, having been advised that BellSouth assumes no liability for loss of profit or revenues should an interruption of service occur.

8.3 The limits set forth in Section 8.2 above may be increased by BellSouth from time to time during the term of this Attachment upon thirty (30) days notice to Accutel to at least such minimum limits as shall then be customary with respect to comparable occupancy of BellSouth structures.

8.4 All policies purchased by Accutel shall be deemed to be primary and not contributing to or in excess of any similar coverage purchased by BellSouth. All insurance must be in effect on or before the date equipment is delivered to BellSouth's Premises and

- shall remain in effect for the term of this Attachment or until all Accutel's property has been removed from BellSouth's Premises, whichever period is longer. If Accutel fails to maintain required coverage, BellSouth may pay the premiums thereon and seek reimbursement of same from Accutel.
- 8.5 Accutel shall submit certificates of insurance reflecting the coverage required pursuant to this Section a minimum of ten (10) business days prior to the commencement of any work in the Collocation Space. Failure to meet this interval may result in construction and equipment installation delays. Accutel shall arrange for BellSouth to receive thirty (30) business days' advance notice of cancellation from Accutel's insurance company. Accutel shall forward a certificate of insurance and notice of cancellation/non-renewal to BellSouth at the following address:
- BellSouth Telecommunications, Inc.
Attn.: Risk Management Coordinator
675 W. Peachtree Street
Rm. 17H53
Atlanta, Georgia 30375
- 8.6 Accutel must conform to recommendations made by BellSouth's fire insurance company to the extent BellSouth has agreed to, or shall hereafter agree to, such recommendations.
- 8.7 Self-Insurance. If Accutel's net worth exceeds five hundred million dollars (\$500,000,000), Accutel may elect to request self-insurance status in lieu of obtaining any of the insurance required in Sections 8.2.1 and 8.2.3. Accutel shall provide audited financial statements to BellSouth thirty (30) days prior to the commencement of any work in the Collocation Space. BellSouth shall then review such audited financial statements and respond in writing to Accutel in the event that self-insurance status is not granted to Accutel. If BellSouth approves Accutel for self-insurance, Accutel shall annually furnish to BellSouth, and keep current, evidence of such net worth that is attested to by one of Accutel's corporate officers. The ability to self-insure shall continue so long as the Accutel meets all of the requirements of this Section. If the Accutel subsequently no longer satisfies this Section, Accutel is required to purchase insurance as indicated by Sections 8.2.1 and 8.2.3.
- 8.8 The net worth requirements set forth in Section 8.7 may be increased by BellSouth from time to time during the term of this Attachment upon thirty (30) days' notice to Accutel to at least such minimum limits as shall then be customary with respect to comparable occupancy of BellSouth structures.
- 8.9 Failure to comply with the provisions of this Section will be deemed a material breach of this Attachment.

9. Mechanics Liens

- 9.1 If any mechanics lien or other liens shall be filed against property of either Party (BellSouth or Accutel), or any improvement thereon by reason of or arising out of any labor or materials furnished or alleged to have been furnished or to be furnished to or for the other Party or by reason of any changes, or additions to said property made at the request or under the direction of the other Party, the other Party directing or requesting those changes shall, within thirty (30) business days after receipt of written notice from the Party against whose property said lien has been filed, either pay such lien or cause the same to be bonded off the affected property in the manner provided by law. The Party causing said lien to be placed against the property of the other shall also defend, at its sole cost and expense, on behalf of the other, any action, suit or proceeding which may be brought for the enforcement of such liens and shall pay any damage and discharge any judgment entered thereon.

10. Inspections

- 10.1 BellSouth shall conduct an inspection of Accutel's equipment and facilities in the Collocation Space(s) prior to the activation of facilities between Accutel's equipment and equipment of BellSouth. BellSouth may conduct an inspection if Accutel adds equipment and may otherwise conduct routine inspections at reasonable intervals mutually agreed upon by the Parties. BellSouth shall provide Accutel with a minimum of forty-eight (48) hours or two (2) business days, whichever is greater, advance notice of all such inspections. All costs of such inspection shall be borne by BellSouth.

11. Security and Safety Requirements

- 11.1 The security and safety requirements set forth in this section are as stringent as the security requirements BellSouth maintains at its own premises either for their own employees or for authorized contractors. Only BellSouth employees, BellSouth Certified Contractors and authorized employees, authorized Guests, pursuant to Section 3.3, preceding, or authorized agents of Accutel will be permitted in the BellSouth Premises. Accutel shall provide its employees and agents with picture identification which must be worn and visible at all times while in the Collocation Space or other areas in or around the Premises. The photo Identification card shall bear, at a minimum, the employee's name and photo, and the Accutel name. BellSouth reserves the right to remove from its premises any employee of Accutel not possessing identification issued by Accutel or who have violated any of BellSouth's policies as outlined in the CLEC Security Training documents. Accutel shall hold BellSouth harmless for any damages resulting from such removal of its personnel from BellSouth premises. Accutel shall be solely responsible for ensuring that any Guest of Accutel is in compliance with all subsections of this Section 11.

- 11.1.1 Accutel will be required, at its own expense, to conduct a statewide investigation of criminal history records for each Accutel employee being considered for work on the BellSouth Premises, for the states/counties where the Accutel employee has worked and lived for the past five years. Where state law does not permit statewide collection or reporting, an investigation of the applicable counties is acceptable.
- 11.1.2 Accutel will be required to administer to their personnel assigned to the BellSouth Premises security training either provided by BellSouth, or meeting criteria defined by BellSouth.
- 11.1.3 Accutel shall not assign to the BellSouth Premises any personnel with records of felony criminal convictions. Accutel shall not assign to the BellSouth Premises any personnel with records of misdemeanor convictions, except for misdemeanor traffic violations, without advising BellSouth of the nature and gravity of the offense(s). BellSouth reserves the right to refuse building access to any Accutel personnel who have been identified to have misdemeanor criminal convictions. Notwithstanding the foregoing, in the event that Accutel chooses not to advise BellSouth of the nature and gravity of any misdemeanor conviction, Accutel may, in the alternative, certify to BellSouth that it shall not assign to the BellSouth Premises any personnel with records of misdemeanor convictions (other than misdemeanor traffic violations).
- 11.1.4 For each Accutel employee requiring access to a BellSouth Premises pursuant to this Attachment, Accutel shall furnish BellSouth, prior to an employee gaining such access, a certification that the aforementioned background check and security training were completed. The certification will contain a statement that no felony convictions were found and certifying that the security training was completed by the employee. If the employee's criminal history includes misdemeanor convictions, Accutel will disclose the nature of the convictions to BellSouth at that time. In the alternative, Accutel may certify to BellSouth that it shall not assign to the BellSouth Premises any personnel with records of misdemeanor convictions other than misdemeanor traffic violations.
- 11.1.5 At BellSouth's request, Accutel shall promptly remove from the BellSouth's Premises any employee of Accutel BellSouth does not wish to grant access to its premises 1) pursuant to any investigation conducted by BellSouth or 2) prior to the initiation of an investigation in the event that an employee of Accutel is found interfering with the property or personnel of BellSouth or another CLEC, provided that an investigation shall promptly be commenced by BellSouth.
- 11.2 Notification to BellSouth. BST reserves the right to interview Accutel's employees, agents, or contractors in the event of wrongdoing in or around BellSouth's property or involving BellSouth's or another CLEC's property or personnel, provided that BellSouth shall provide reasonable notice to Accutel's Security contact of such interview. Accutel and its contractors shall reasonably cooperate with BellSouth's investigation into allegations of wrongdoing or criminal conduct committed by, witnessed by, or involving Accutel's employees, agents, or contractors. Additionally,

- BellSouth reserves the right to bill Accutel for all reasonable costs associated with investigations involving its employees, agents, or contractors if it is established and mutually agreed in good faith that Accutel's employees, agents, or contractors are responsible for the alleged act. BellSouth shall bill Accutel for BellSouth property which is stolen or damaged where an investigation determines the culpability of Accutel's employees, agents, or contractors and where Accutel agrees, in good faith, with the results of such investigation. Accutel shall notify BellSouth in writing immediately in the event that the CLEC discovers one of its employees already working on the BellSouth premises is a possible security risk. Upon request of the other Party, the Party who is the employer shall discipline consistent with its employment practices, up to and including removal from the BellSouth Premises, any employee found to have violated the security and safety requirements of this section. Accutel shall hold BellSouth harmless for any damages resulting from such removal of its personnel from BellSouth premises.
- 11.3 Use of Supplies. Unauthorized use of telecommunications equipment or supplies either Party, whether or not used routinely to provide telephone service (e.g. plug-in cards,) will be strictly prohibited and handled appropriately. Costs associated with such unauthorized use may be charged to the offending Party, as may be all associated investigative costs.
- 11.4 Use of Official Lines. Except for non-toll calls necessary in the performance of their work, neither Party shall use the telephones of the other Party on the BellSouth Premises. Charges for unauthorized telephone calls may be charged to the offending Party, as may be all associated investigative costs.
- 11.5 Accountability. Full compliance with the Security requirements of this section shall in no way limit the accountability of either Party to the other for the improper actions of its employees.
- 12. Destruction of Collocation Space**
- 12.1 In the event a Collocation Space is wholly or partially damaged by fire, windstorm, tornado, flood or by similar causes to such an extent as to be rendered wholly unsuitable for Accutel's permitted use hereunder, then either Party may elect within ten (10) business days after such damage, to terminate this Attachment, and if either Party shall so elect, by giving the other written notice of termination, both Parties shall stand released of and from further liability under the terms hereof. If the Collocation Space shall suffer only minor damage and shall not be rendered wholly unsuitable for Accutel's permitted use, or is damaged and the option to terminate is not exercised by either Party, BellSouth covenants and agrees to proceed promptly without expense to Accutel, except for improvements not the property of BellSouth, to repair the damage. BellSouth shall have a reasonable time within which to rebuild or make any repairs, and such rebuilding and repairing shall be subject to delays caused by storms, shortages of labor and materials, government regulations, strikes,

walkouts, and causes beyond the control of BellSouth, which causes shall not be construed as limiting factors, but as exemplary only. Accutel may, at its own expense, accelerate the rebuild of its collocated space and equipment provided however that a BellSouth Certified Contractor is used and the necessary space preparation has been completed. Rebuild of equipment must be performed by a BellSouth Certified Vendor. If Accutel's acceleration of the project increases the cost of the project, then those additional charges will be incurred by Accutel. Where allowed and where practical, Accutel may erect a temporary facility while BellSouth rebuilds or makes repairs. In all cases where the Collocation Space shall be rebuilt or repaired, Accutel shall be entitled to an equitable abatement of rent and other charges, depending upon the unsuitability of the Collocation Space for Accutel's permitted use, until such Collocation Space is fully repaired and restored and Accutel's equipment installed therein (but in no event later than thirty (30) business days after the Collocation Space is fully repaired and restored). Where Accutel has placed an Adjacent Arrangement pursuant to section 3.4, Accutel shall have the sole responsibility to repair or replace said Adjacent Arrangement provided herein. Pursuant to this section, BellSouth will restore the associated services to the Adjacent Arrangement.

13. Eminent Domain

- 13.1 If the whole of a Collocation Space or Adjacent Arrangement shall be taken by any public authority under the power of eminent domain, then this Attachment shall terminate with respect to such Collocation Space or Adjacent Arrangement as of the day possession shall be taken by such public authority and rent and other charges for the Collocation Space or Adjacent Arrangement shall be paid up to that day with proportionate refund by BellSouth of such rent and charges as may have been paid in advance for a period subsequent to the date of the taking. If any part of the Collocation Space or Adjacent Arrangement shall be taken under eminent domain, BellSouth and Accutel shall each have the right to terminate this Attachment with respect to such Collocation Space or Adjacent Arrangement and declare the same null and void, by written notice of such intention to the other Party within ten (10) business days after such taking.

14. Nonexclusivity

- 14.1 Accutel understands that this Attachment is not exclusive and that BellSouth may enter into similar agreements with other Parties. Assignment of space pursuant to all such agreements shall be determined by space availability and made on a first come, first served basis.

EXHIBIT A: BELLSOUTH/Accutel RATES – ALABAMA
PHYSICAL COLLOCATION

Rates marked with an asterisk (*) are interim and are subject to true-up

| USOC | Rate Element Description | Unit | Recurring Rate (RC) | Non-Recurring Rate (NRC) |
|-------|---|---------------------------|---------------------|--|
| PE1BA | Application Fee | Per request | NA | \$7,124.00 Disconnect Charge \$1.73 |
| PE1CA | Subsequent Application Fee (Note 1) | Per request | NA | \$1,600.00 Minimum |
| PE1BG | Space Preparation Fee (Note 2) Mechanical / HVAC* | Per ton (one ton minimum) | | \$2,400.00 |
| PE1BB | Ground Bar* | Per connection | | \$720.00 |
| PE1SC | Project Management* | Per arrangement | | \$1,675.00 |
| PE1SD | Cable Racking / Fiber Duct | Per arrangement, sq. ft. | | ICB |
| PE1SE | Frame / Aisle Lighting | Per arrangement, sq. ft. | | ICB |
| PE1SG | Framework Ground Conductors | Per arrangement | | ICB |
| PE1SH | Extraordinary Modifications | Per arrangement | | ICB |
| PE1BW | Space Enclosure (Note 3) Welded Wire-mesh | Per first 100 sq. ft. | \$136.64 | NA |
| PE1CW | Welded Wire-mesh | Per add'l 50 sq. ft. | \$15.85 | NA |
| PE1PJ | Floor Space | Per sq. ft. | \$3.85 | NA |
| PE1BD | Cable Installation | Per cable | NA | \$2,335.00 |
| PE1PM | Cable Support Structure | Per entrance cable | \$23.23 | NA |
| PE1PL | Power -48V DC Power | Per amp | \$7.14 | ICB |
| PE1FB | 120V AC Power single phase* | Per breaker amp | \$5.50 | ICB |
| PE1FD | 240V AC Power single phase* | Per breaker amp | \$11.00 | ICB |
| PE1FE | 120V AC Power three phase* | Per breaker amp | \$16.50 | ICB |
| PE1FG | 277 AC Power three phase* | Per breaker amp | \$38.20 | ICB |
| PE1P2 | Cross Connects (Note 4) 2-wire | Per cross connect | \$0.28 | First/Add'l \$30.76/\$29.40 |
| PE1P4 | 4-wire | | \$0.56 | \$31.01/\$29.58 |
| PE1P1 | DS-1 | | \$2.14 | \$60.81/\$41.71 |
| PE1P3 | DS-3 | | \$38.63 | \$57.80/\$39.81 |

| ALABAMA (continued) | | | | |
|---------------------|---|------------------------|---------------------|--------------------------|
| USOC | Rate Element Description | Unit | Recurring Rate (RC) | Non-Recurring Rate (NRC) |
| PE1F2 | Cross Connects (continued) | Per cross connect | | First/Add'l |
| | 2-fiber | | \$12.10 | \$55.46/\$39.18 |
| PE1F4 | 4-fiber | | \$21.75 | \$66.71/\$50.43 |
| | | | | Disconnect Charges |
| | | | | First/Add'l |
| | 2-wire | | | \$12.75/\$11.38 |
| | 4-wire | | | \$12.82/\$11.39 |
| | DS-1 | | | \$12.85/\$11.50 |
| | DS-3 | | | \$14.93/\$11.76 |
| | 2-fiber | | | \$16.83/\$13.27 |
| | 4-fiber | | | \$21.86/\$18.31 |
| | | | | |
| | Co-Carrier Cross-Connect (Note 5) | | | |
| PE1ES | Fiber Cable Support Structure, existing | Per linear ft. | \$0.06 | NA |
| PE1DS | Copper or Coaxial Cable Support Structure, existing | Per linear ft. | \$0.03 | NA |
| (TBD) | Cable Support Structure Construction, new | Per new construction | NA | ICB |
| | | | | |
| PE1AX | Security Access System Security System* | Per central office | \$52.00 | |
| | New Access Card Activation* | Per card | | \$55.00 |
| PE1AA | Administrative change, existing card* | Per card | | \$35.00 |
| PE1AR | Replace lost or stolen card* | Per card | | \$250.00 |
| | | | | |
| PE1SR | Space Availability Report* | Per premises requested | | \$550.00 |
| | | | | |
| | POT Bay Arrangements <i>Prior to 6/1/99</i> | Per cross connect | | |
| PE1PE | 2-Wire Cross-Connect | | \$0.08 | NA |
| PE1PF | 4-Wire Cross-Connect | | \$0.17 | NA |
| PE1PG | DS1 Cross-Connect | | \$0.69 | NA |
| PE1PH | DS3 Cross-Connect | | \$4.74 | NA |
| PE1B2 | 2-Fiber Cross-Connect | | \$32.02 | NA |
| PE1B4 | 4-Fiber Cross-Connect | | \$40.48 | NA |

| ALABAMA (continued) | | | | |
|---------------------|-------------------------------------|--|---------------------|--|
| USOC | Rate Element Description | Unit | Recurring Rate (RC) | Non-Recurring Rate (NRC) |
| AEH | Additional Engineering Fee (Note 6) | Per request, First half hour/add'l half hour | | First/Add'l Basic Time \$31.00/\$22.00 Overtime \$37.00/\$26.00 |
| | | | | |
| | Security Escort | Per half hr/add'l half hr | | |
| PE1BT | Basic Time | | NA | \$43.47/\$25.82 |
| PE1OT | Overtime | | NA | \$55.25/\$32.79 |
| PE1PT | Premium Time | | NA | \$67.03/\$39.76 |

Note(s):

N/A refers to rate elements which do not have a negotiated rate.

- (1) **Subsequent Application Fee:** BellSouth requires the submission of an Application Fee for modifications to an existing arrangement. However, when the modifications do not require BellSouth assessment related to expenditure of capital, BellSouth will assess the Subsequent Application Fee in lieu of the Application Fee. Proposed modifications that could result in assessment of a Subsequent Application Fee would cause BellSouth to analyze the following but are not limited to: floor loading changes, changes to HVAC requirements, power requirement changes which may result in a power plant upgrade, environmental or safety requirements, or equipment relocation. Should the Subsequent Application Fee not be included as part of this Attachment, Accutel will be assessed the full Application Fee for all subsequent activity for completed arrangements.
- (2) **Space Preparation Fee:** The Space Preparation Fee is a one-time fee, assessed per arrangement, per location. It recovers the costs associated with the shared physical collocation area within a Premises, which include survey, engineering, design and modification costs for network, building and support systems. In the event Accutel opts for non-enclosed space, the space preparation fee will be assessed based on the total floor space dedicated to Accutel as prescribed in Section 7 of the Collocation Attachment.
- (3) **Space Enclosure:** The Space Enclosure Construction Fee is a monthly recurring fee, assessed per enclosure, per location with a one-hundred (100) square foot minimum enclosure. It recovers costs associated with providing an optional equipment arrangement enclosure, which include architectural and engineering fees, materials, and installation costs. The cost for additional square feet is applicable only when ordered with the first 100 square feet and must be requested in fifty (50) square foot increments. Accutel may, at its option, arrange with a BellSouth Certified Contractor to construct the space enclosure in accordance with BellSouth's guidelines and specifications. In this event, the BellSouth Certified Contractor shall directly bill Accutel for the space enclosure, and this fee shall not be applicable.

EXHIBIT A: BELLSOUTH/Accutel RATES – ALABAMA
PHYSICAL COLLOCATION (continued)

- (4) **Cross Connects:** The charges for cross connects are for orders placed electronically. Cross connect elements may also be ordered manually for which there is an additional charge per element.

| | First / Additional | Disconnect Charges First / Additional |
|--------|--------------------|--|
| 2-wire | \$34.03 / \$32.67 | \$14.48 / \$13.11 |
| 4-wire | \$34.28 / \$32.85 | \$14.55 / \$13.12 |
| DS-1 | \$64.08 / \$44.98 | \$14.58 / \$13.23 |
| DS-3 | \$61.07 / \$43.08 | \$16.66 / \$13.49 |

- (5) **Co-Carrier Cross-Connect:** As stated in Section 1.2 of the Collocation Attachment, Accutel may connect to other CLECs within the designated Premises in addition to, and not in lieu of, interconnection to BellSouth services and facilities. Where BellSouth must construct a cable rack structure to house the co-Carrier cross connection, construction charges will be applied on an individual case basis as described in Section 5.6.1 of the Collocation Attachment. BellSouth shall provide an estimate of these charges in the Application Response. Where an existing cable rack structure is in place and has sufficient capacity to accommodate the co-Carrier cross connection requested, the recurring charges as stated in this Exhibit A shall apply.
- (6) **Additional Engineering Fee:** BellSouth's additional engineering, and other labor costs associated with handling Accutel-requested modifications to requests in progress or augmentations to existing arrangements shall be recovered as Additional Engineering charges, under provisions in BellSouth's F.C.C. Number 1 Tariff, Sections 13.1 and 13.2. Should Additional Engineering rates not be included, Accutel agrees not to make changes to collocation arrangement after a Bona Fide Firm Order is submitted.

EXHIBIT A: BELLSOUTH/Accutel RATES – FLORIDA
PHYSICAL COLLOCATION

Rates marked with an asterisk (*) are interim and are subject to true-up

| USOC | Rate Element Description | Unit | Recurring Rate (RC) | Non-Recurring Rate (NRC) |
|-------|---|---------------------------|---------------------|--------------------------|
| PE1BA | Application Fee | Per request | \$15.53 | \$3,248.00 |
| PE1CA | Subsequent Application Fee (Note 1) | Per request | NA | \$1,600.00 Minimum |
| PE1BG | Space Preparation Fee (Note 2) Mechanical / HVAC* | Per ton (one ton minimum) | | \$2,400.00 |
| PE1BB | Ground Bar* | Per connection | | \$720.00 |
| PE1SC | Project Management* | Per arrangement | | \$1,675.00 |
| PE1SD | Cable Racking / Fiber Duct | Per arrangement, sq. ft. | | ICB |
| PE1SE | Frame / Aisle Lighting | Per arrangement, sq. ft. | | ICB |
| PE1S | Framework Ground Conductors | Per arrangement | | ICB |
| PE1SH | Extraordinary Modifications | Per arrangement | | ICB |
| PE1BW | Space Enclosure (Note 3) Wire Cage | Per first 100 sq. ft. | \$41.99 | NA |
| PE1BC | Gypsum Board Cage | Per first 100 sq. ft. | \$84.10 | NA |
| PE1BF | Fire Rated Cage | Per first 100 sq. ft. | \$99.73 | NA |
| PE1CW | Wire Cage | Per add'l 50 sq. ft. | \$4.14 | NA |
| PE1CC | Gypsum Board Cage | Per add'l 50 sq. ft. | \$9.35 | NA |
| PE1CF | Fire Rated Cage | Per add'l 50 sq. ft. | \$11.30 | NA |
| PE1PJ | Floor Space | Per sq. ft. | \$4.25 | NA |
| PE1BD | Cable Installation | Per cable | \$2.77 | \$1,056.00 |
| PE1PM | Cable Support Structure | | \$22.94 | NA |
| PE1PL | Power -48V DC Power | Per amp | \$6.95 | ICB |
| PE1FB | 120V AC Power single phase* | Per breaker amp | \$5.50 | ICB |
| PE1FD | 240V AC Power single phase* | Per breaker amp | \$11.00 | ICB |
| PE1FE | 120V AC Power three phase* | Per breaker amp | \$16.50 | ICB |
| PE1FG | 277 AC Power three phase* | Per breaker amp | \$38.20 | ICB |
| PE1P2 | Cross Connects (Note 4) 2-wire | Per cross connect | \$0.0524 | \$11.57 |
| PE1P4 | 4-wire | | \$0.0524 | \$11.57 |

| FLORIDA (continued) | | | | |
|---------------------|---|--|---------------------|--|
| USOC | Rate Element Description | Unit | Recurring Rate (RC) | Non-Recurring Rate (NRC) |
| | Cross Connects (continued) | Per cross connect | | |
| PE11S | DS-1/DCS | | \$8.085 | \$69.64 |
| PE1P1 | DS-1/DSX | | \$.4110 | \$69.64 |
| PE13S | DS-3/DCS | | \$56.97 | \$528.00 |
| PE13X | DS-3/DSX | | \$10.06 | \$528.00 |
| PE1F2 | Optical Cross Connects | | \$6.46 | \$2,431.00 |
| | | | | |
| | Co-Carrier Cross-Connect (Note 5) | | | |
| PE1ES | Fiber Cable Support Structure, existing | Per linear ft. | \$0.06 | NA |
| PE1DS | Copper or Coaxial Cable Support Structure, existing | Per linear ft. | \$0.03 | NA |
| (TBD) | Cable Support Structure Construction, new | Per new construction | NA | ICB |
| | | | | |
| PE1AX | Security Access System Security System* | Per premises | \$52.00 | |
| | New Access Card Activation* | Per request 5 cards | NA | \$85.12 |
| PE1AA | Administrative change, existing card* | Per card | | \$35.00 |
| PE1AR | Replace lost or stolen card* | Per card | | \$250.00 |
| | | | | |
| PE1SR | Space Availability Report* | Per premises requested | | \$550.00 |
| | | | | |
| | POT Bay (Note 6) | | NA | NA |
| | | | | |
| AEH | Additional Engineering Fee (Note 7) | Per request, First half hour/add'l half hour | | First/Add'l Basic Time \$31.00/\$22.00 Overtime \$37.00/\$26.00 |
| | | | | |
| PE1BT | Security Escort Basic Time | Per ¼ hour | NA | \$10.89 |
| PE1OT | Overtime | | NA | \$13.64 |
| PE1PT | Premium Time | | NA | \$16.40 |

EXHIBIT A: BELLSOUTH/Accutel RATES – FLORIDA
PHYSICAL COLLOCATION (continued)

Note(s):

N/A refers to rate elements which do not have a negotiated rate.

- (1) **Subsequent Application Fee:** BellSouth requires the submission of an Application Fee for modifications to an existing arrangement. However, when the modifications do not require BellSouth to expend capital, BellSouth will assess the Subsequent Application Fee in lieu of the Application Fee. Proposed modifications that could result in assessment of a Subsequent Application Fee would cause BellSouth to analyze the following but are not limited to: floor loading changes, changes to HVAC requirements, power requirement changes which may result in a power plant upgrade, environmental or safety requirements, or equipment relocation. Should the Subsequent Application Fee not be included as part of this Attachment, Accutel will be assessed the full Application Fee for all subsequent activity for completed arrangements.
- (2) **Space Preparation Fee:** The Space Preparation Fee is a one-time fee, assessed per arrangement, per location. It recovers costs associated with the shared physical collocation area within a Premises, which include survey, engineering, design and modification costs for network, building and support systems. BellSouth will pro rate the total shared space preparation costs among the collocators at each location based on the amount of square footage occupied by each collocator. This charge may vary depending on the location and type of arrangement requested.
- (3) **Space Enclosure Fee:** The Space Enclosure Construction Fee is a monthly recurring fee, assessed per enclosure, per location with a one-hundred (100) square foot minimum enclosure. It recovers costs associated with providing an optional equipment arrangement enclosure, which include architectural and engineering fees, materials, and installation costs. The cost for additional square feet is applicable only when ordered with the first 100 square feet and must be requested in fifty (50) square foot increments. Accutel may, at its option, arrange with a BellSouth Certified Contractor to construct the space enclosure in accordance with BellSouth's guidelines and specifications. In this event, the BellSouth Certified Contractor shall directly bill Accutel for the space enclosure, and this fee shall not be applicable.
- (4) **Cross Connects:** Rates shown are the equivalent per cross connect rates based on the Florida PSC Ordered rates as follows:

| <u>Cross Connects</u> | <u>Per Cross Connect</u> | <u>RC</u> | <u>NRC</u> |
|------------------------|--------------------------|-----------|------------|
| 2-wire | Per 100 X-Connects | \$5.24 | \$1,157.00 |
| 4-wire | Per 100 X-Connects | \$5.24 | \$1,157.00 |
| DS-1/DCS | Per 28 X-Connects | \$226.39 | \$1,950.00 |
| DS-1/DSX | Per 28 X-Connects | \$11.51 | \$1,950.00 |
| DS-3/DCS | Per Cross Connect | \$56.97 | \$ 528.00 |
| DS-3/DSX | Per Cross Connect | \$10.06 | \$528.00 |
| Optical Cross Connects | Per Cross Connect | \$6.46 | \$2,431.00 |

EXHIBIT A: BELLSOUTH/Accutel RATES – FLORIDA
PHYSICAL COLLOCATION (continued)

- (5) **Co-Carrier Cross-Connect.** As stated in Section 5 of the Collocation Attachment, Accutel may connect to other CLECs within the designated Premises in addition to, and not in lieu of, interconnection to BellSouth services and facilities. Where BellSouth must construct a cable rack structure to house the direct connection, construction charges will be applied on an individual case basis as described in Section 5.6.1 of the Collocation Attachment. BellSouth shall provide an estimate of these charges in the Application Response. Where an existing cable rack structure is in place and has sufficient capacity to accommodate the direct connection requested, the recurring charges as stated in this Exhibit A shall apply.
- (6) **POT Bays:** BellSouth's Florida specific rates were established in the Florida Public Service Commission Docket No. 960833. The Commission did not set permanent rates for POT Bays, given the assumption by the Parties to the Proceeding that they will always provide their own POT Bays. It will be necessary for Accutel to provide its own POT Bays per BellSouth specifications and provide the necessary information from which BellSouth can inventory.
- (7) **Additional Engineering Fee:** BellSouth's additional engineering, and other labor costs associated with handling Accutel-requested modifications to requests in progress or augmentations to existing arrangements shall be recovered as Additional Engineering charges, under provisions in BellSouth's F.C.C. Number 1 Tariff, Sections 13.1 and 13.2. Should Additional Engineering rates not be included, Accutel agrees not to make changes to collocation arrangement after a Bona Fide Firm Order is submitted.

EXHIBIT A: BELLSOUTH/Accutel RATES – GEORGIA
PHYSICAL COLLOCATION

Rates marked with an asterisk (*) are interim and subject to true-up

| USOC | Rate Element Description | Unit | Recurring Rate (RC) | Non-Recurring Rate (NRC) |
|-------|--|-----------------------|---------------------|--------------------------------|
| PE1BA | Application Fee | Per request | NA | \$3,850.00 |
| PE1CA | Subsequent Application Fee (Note 1) | Per request | NA | \$1,600.00 Minimum |
| PE1BG | Space Preparation Fee (Note 2) | Per sq. ft. | NA | \$100.00 |
| PE1BW | Space Enclosure (Note 3) Welded Wire-mesh | Per first 100 sq. ft. | \$170.64 | NA |
| PE1CW | Welded Wire-mesh | Per add'l 50 sq. ft. | \$17.33 | NA |
| PE1PJ | Floor Space Zone A | Per sq. ft. | \$7.50 | NA |
| PE1PK | Zone B | Per sq. ft. | \$6.75 | NA |
| PE1BD | Cable Installation | Per cable | NA | \$2,750.00 |
| PE1PM | Cable Support Structure | Per entrance cable | \$13.35 | NA |
| PE1PL | Power -48V DC Power | Per amp | \$5.00 | ICB |
| PE1FB | 120V AC Power single phase* | Per breaker amp | \$5.50 | ICB |
| PE1FD | 240V AC Power single phase* | Per breaker amp | \$11.00 | ICB |
| PE1FE | 120V AC Power three phase* | Per breaker amp | \$16.50 | ICB |
| PE1FG | 277 AC Power three phase* | Per breaker amp | \$38.20 | ICB |
| PE1P2 | Cross Connects 2-wire | Per cross connect | \$0.30 | First/Add'l \$12.60/\$12.60 |
| PE1P4 | 4-wire | | \$0.50 | \$12.60/\$12.60 |
| PE1P1 | DS-1 | | \$8.00 | \$155.00/\$27.00 |
| PE1P3 | DS-3 | | \$72.00 | \$155.00/\$27.00 |
| PE1F2 | 2-fiber | | \$15.64 | \$41.56/\$29.82 |
| PE1F4 | 4-fiber | | \$28.11 | \$50.53/\$38.78 |
| PE1ES | Co-Carrier Cross-Connect (Note 4) Fiber Cable Support Structure, existing | Per linear ft. | \$0.06 | NA |
| PE1DS | Copper or Coaxial Cable Support Structure, existing | Per linear ft. | \$0.03 | NA |
| (TBD) | Cable Support Structure Construction, new | Per new construction | NA | ICB |

| GEORGIA (continued) | | | | |
|---------------------|--|--|---------------------|--|
| USOC | Rate Element Description | Unit | Recurring Rate (RC) | Non-Recurring Rate (NRC) |
| PE1AX | Security Access System Security System* | Per premises | \$52.00 | |
| | New Access Card Activation* | Per card | | \$55.00 |
| PE1AA | Administrative change, existing card* | Per card | | \$35.00 |
| PE1AR | Replace lost or stolen card* | Per card | | \$250.00 |
| | | | | |
| PE1SR | Space Availability Report* | Per premises requested | | \$550.00 |
| | | | | |
| | POT Bay Arrangements <i>Prior to 6/1/99</i> | Per cross-connect | | |
| PE1PE | 2-Wire Cross-Connect | | \$0.40 | NA |
| PE1PF | 4-Wire Cross-Connect | | \$1.20 | NA |
| PE1PG | DS1 Cross-Connect | | \$1.20 | NA |
| PE1PH | DS3 Cross-Connect | | \$8.00 | NA |
| PE1B2 | 2 Fiber Cross-Connect | | \$38.79 | NA |
| PE1B4 | 4 Fiber Cross-Connect | | \$52.31 | NA |
| | | | | |
| AEH | Additional Engineering Fee (Note 5) | Per request, First half hour/add'l half hour | | First/Add'l Basic Time \$31.00/\$22.00 Overtime \$37.00/\$26.00 |
| | | | | |
| | Security Escort | Per half hr./Add'l half hr. | | |
| PE1BT | Basic Time | | NA | \$41.00/\$25.00 |
| PE1OT | Overtime | | NA | \$48.00/\$30.00 |
| PE1PT | Premium Time | | NA | \$55.00/\$35.00 |

Note(s)

N/A refers to rate elements which do not have a negotiated rate.

(1) **Subsequent Application Fee:** BellSouth requires the submission of an Application Fee for modifications to an existing arrangement. However, when the modifications do not require BellSouth to expend capital, BellSouth will assess the Subsequent Application Fee in lieu of the Application Fee. Proposed modifications that could result in assessment of a Subsequent Application Fee would cause BellSouth to analyze the following but are not limited to: floor loading changes, changes to HVAC requirements, power requirement changes which may result in a power plant upgrade, environmental or safety requirements, or equipment relocation. Should the Subsequent Application Fee not be included as part of this Attachment, Accutel will be assessed the full Application Fee for all subsequent activity for completed arrangements.

EXHIBIT A: BELLSOUTH/Accutel RATES – GEORGIA
PHYSICAL COLLOCATION (continued)

- (2) **Space Preparation Fee:** The Space Preparation Fee is a one-time fee, assessed per arrangement, per location. It recovers a portion of costs associated with the shared physical collocation area within a Premises, which include survey, engineering, design and modification costs for network, building and support systems. This is a set fee of \$100 per square foot as established by the Georgia Public Service Commission Order in Docket No. 7061-U. In the event Accutel opts for non-enclosed space, the space preparation fee will be assessed based on the total floor space dedicated to Accutel as prescribed in Section 7 of the Collocation Attachment.
- (3) **Space Enclosure Fee:** The Space Enclosure Construction Fee is a one-time fee, assessed per enclosure, per location with a one-hundred (100) square foot minimum enclosure. It recovers costs associated with providing an optional equipment arrangement enclosure, which include architectural and engineering fees, materials, and installation costs. The cost for additional square feet is applicable only when ordered with the first 100 square feet and must be requested in fifty (50) square foot increments. Accutel may, at its option, arrange with a BellSouth Certified Contractor to construct the space enclosure in accordance with BellSouth's guidelines and specifications. In this event, the BellSouth Certified Contractor shall directly bill Accutel for the space enclosure, and this fee shall not be applicable.
- (4) **Co-Carrier Cross-Connect.** As stated in Section 5 of the Collocation Attachment, Accutel may connect to other CLECs within the designated Premises in addition to, and not in lieu of, interconnection to BellSouth services and facilities. Where BellSouth must construct a cable rack structure to house the co-Carrier cross connection, construction charges will be applied on an individual case basis as described in Section 5.6.1 of the Collocation Attachment. BellSouth shall provide an estimate of these charges in the Application Response. Where an existing cable rack structure is in place and has sufficient capacity to accommodate the co-Carrier cross-connection requested, the recurring charges as stated in this Exhibit A shall apply.
- (5) **Additional Engineering Fee:** BellSouth's additional engineering, and other labor costs associated with handling Accutel-requested modifications to requests in progress or augmentations to existing arrangements shall be recovered as Additional Engineering charges, under provisions in BellSouth's F.C.C. Number 1 Tariff, Sections 13.1 and 13.2. Should Additional Engineering rates not be included, Accutel agrees not to make changes to collocation arrangement after a Bona Fide Firm Order is submitted.

EXHIBIT A: BELLSOUTH/Accutel RATES – KENTUCKY
PHYSICAL COLLOCATION

Rates marked with an asterisk (*) are interim and are subject to true-up.

| USOC | Rate Element Description | Unit | Recurring Rate (RC) | Non-Recurring Rate (NRC) |
|-------|---|---------------------------|---------------------|--------------------------------|
| PE1BA | Application Fee | Per request | NA | \$9,926.72 |
| PE1CA | Subsequent Application Fee (Note 1) | Per request | NA | \$1,600.00 Minimum |
| PE1BG | Space Preparation Fee (Note 2) Mechanical / HVAC* | Per ton (one ton minimum) | | \$2,400.00 |
| PE1BB | Ground Bar* | Per connection | | \$720.00 |
| PE1SC | Project Management* | Per arrangement | | \$1,675.00 |
| PE1SD | Cable Racking / Fiber Duct | Per arrangement, sq. ft. | | ICB |
| PE1SE | Frame / Aisle Lighting | Per arrangement, sq. ft. | | ICB |
| PE1S | Framework Ground Conductors | Per arrangement | | ICB |
| PE1SH | Extraordinary Modifications | Per arrangement | | ICB |
| PE1BW | Space Enclosure (Note 3) Welded Wire-mesh | Per first 100 sq. ft. | \$201.02 | NA |
| PE1CW | Welded Wire-mesh | Per add'l 50 sq. ft. | \$20.42 | NA |
| PE1PJ | Floor Space | Per sq. ft. | \$5.00 | NA |
| PE1BD | Cable Installation | Per cable | NA | \$2,327.08 |
| PE1PM | Cable Support Structure | Per entrance cable | \$24.23 | NA |
| PE1PL | Power -48V DC Power | Per amp | \$7.68 | ICB |
| PE1FB | 120V AC Power single phase* | Per breaker amp | \$5.50 | ICB |
| PE1FD | 240V AC Power single phase* | Per breaker amp | \$11.00 | ICB |
| PE1FE | 120V AC Power three phase* | Per breaker amp | \$16.50 | ICB |
| PE1FG | 277 AC Power three phase* | Per breaker amp | \$38.20 | ICB |
| PE1P2 | Cross Connects 2-wire | Per cross connect | \$0.31 | First/Add'l \$54.21/\$51.07 |
| PE1P4 | 4-wire | | \$0.62 | \$54.23/\$50.96 |
| PE1P1 | DS-1 | | \$1.92 | \$99.23/\$69.15 |
| PE1P3 | DS-3 | | \$39.94 | \$97.48/\$66.90 |
| PE1F2 | 2-fiber | | \$15.64 | \$41.56/\$29.82 |
| PE1F4 | 4-fiber | | \$28.11 | \$50.53/\$38.78 |

| KENTUCKY (continued) | | | | |
|-----------------------------|---|---|----------------------------|--|
| USOC | Rate Element Description | Unit | Recurring Rate (RC) | Non-Recurring Rate (NRC) |
| | Co-Carrier Cross-Connect (Note 4) | | | |
| PE1ES Fiber | Fiber Cable Support Structure, existing | Per linear ft. | \$0.06 | NA |
| PE1DS Copper (TBD) | Copper or Coaxial Cable Support Structure, existing | Per linear ft. | \$0.03 | NA |
| | Cable Support Structure Construction, new | Per new construction | NA | ICB |
| PE1AX | Security Access System Security System* | Per premises | \$52.00 | |
| PE1AA | New Access Card Activation | Per card | | \$55.00 |
| | Administrative change, existing card | Per card | | \$35.00 |
| PE1AR | Replace lost or stolen card | Per card | | \$250.00 |
| PE1SR | Space Availability Report | Per premises requested | | \$550.00 |
| | POT Bay Arrangements Prior to 6/1/99 | Per cross-connect | | |
| PE1PE | 2-Wire Cross-Connect | | \$0.06 | NA |
| PE1PF | 4-Wire Cross-Connect | | \$0.15 | NA |
| PE1PG | DS1 Cross-Connect | | \$0.58 | NA |
| PE1PH | DS3 Cross-Connect | | \$4.51 | NA |
| PE1B2 | 2 Fiber Cross-Connect | | \$38.79 | NA |
| PE1B4 | 4 Fiber Cross-Connect | | \$52.31 | NA |
| | Security Escort | Per half hr./Add'l half hr. | | |
| PE1BT | Basic Time | | NA | \$56.09/\$31.99 |
| PE1OT | Overtime | | NA | \$67.75/\$39.00 |
| PE1PT | Premium Time | | NA | \$79.41/\$46.01 |
| AEH | Additional Engineering Fee (Note 5) | Per request, first half hr/add'l half hr. | | First/Add'l Basic Time \$31.00/\$22.00 Overtime \$37.00/\$26.00 |

EXHIBIT A: BELLSOUTH/Accutel RATES – KENTUCKY
PHYSICAL COLLOCATION (continued)

Note(s):

N/A refers to rate elements which do not have a negotiated rate.

- (1) **Subsequent Application Fee:** BellSouth requires the submission of an Application Fee for modifications to an existing arrangement. However, when the modifications do not require BellSouth to expend capital, BellSouth will assess the Subsequent Application Fee in lieu of the Application Fee. Proposed modifications that could result in assessment of a Subsequent Application Fee would cause BellSouth to analyze the following but are not limited to: floor loading changes, changes to HVAC requirements, power requirement changes which may result in a power plant upgrade, environmental or safety requirements, or equipment relocation. Should the Subsequent Application Fee not be included as part of this Attachment, Accutel will be assessed the full Application Fee for all subsequent activity for completed arrangements.
- (2) **Space Preparation Fee:** The Space Preparation Fee is a one-time fee, assessed per arrangement, per location. It recovers the costs associated with the shared physical collocation area within a Premises, which include survey, engineering, design and modification costs for network, building and support systems. In the event Accutel opts for non-enclosed space, the space preparation fee will be assessed based on the total floor space dedicated to Accutel as prescribed in Section 7 of the Collocation Attachment.
- (3) **Space Enclosure Fee:** The Space Enclosure Construction Fee is a one-time fee, assessed per enclosure, per location with a one-hundred (100) square foot minimum enclosure. It recovers costs associated with providing an optional equipment arrangement enclosure, which include architectural and engineering fees, materials, and installation costs. The cost for additional square feet is applicable only when ordered with the first 100 square feet and must be requested in fifty (50) square foot increments. Accutel may, at its option, arrange with a BellSouth Certified Contractor to construct the space enclosure in accordance with BellSouth's guidelines and specifications. In this event, the BellSouth Certified Contractor shall directly bill Accutel for the space enclosure, and this fee shall not be applicable.
- (4) **Co-Carrier Cross-Connect.** As stated in Section 5 of the Collocation Attachment, Accutel may connect to other CLECs within the designated Premises in addition to, and not in lieu of, interconnection to BellSouth services and facilities. Where BellSouth must construct a cable rack structure to house the co-Carrier cross-connection, construction charges will be applied on an individual case basis as described in Section 5.6.1 of the Collocation Attachment. BellSouth shall provide an estimate of these charges in the Application Response. Where an existing cable rack structure is in place and has sufficient capacity to accommodate the co-Carrier cross-connection requested, the recurring charges as stated in this Exhibit A shall apply.

EXHIBIT A: BELLSOUTH/Accutel RATES – KENTUCKY
PHYSICAL COLLOCATION (continued)

- (5) **Additional Engineering Fee:** BellSouth's additional engineering, and other labor costs associated with handling Accutel-requested modifications to requests in progress or augmentations to existing arrangements shall be recovered as Additional Engineering charges, under provisions in BellSouth's F.C.C. Number 1 Tariff, Sections 13.1 and 13.2. Should Additional Engineering rates not be included, Accutel agrees not to make changes to collocation arrangement after a Bona Fide Firm Order is submitted.

EXHIBIT A: BELLSOUTH/Accutel RATES – LOUISIANA
PHYSICAL COLLOCATION

Rates marked with an asterisk (*) are interim and are subject to true-up.

| USOC | Rate Element Description | Unit | Recurring Rate (RC) | Non-Recurring Rate (NRC) |
|-------|---|---------------------------|---------------------|--|
| PE1BA | Application Fee | Per request | NA | \$4,910.00 |
| PE1CA | Subsequent Application Fee (Note 1) | Per request | NA | \$1,600.00 Minimum |
| PE1BG | Space Preparation Fee (Note 2) Mechanical / HVAC* | Per ton (one ton minimum) | | \$2,400.00 |
| PE1BB | Ground Bar* | Per connection | | \$720.00 |
| PE1SC | Project Management* | Per arrangement | | \$1,675.00 |
| PE1SD | Cable Racking / Fiber Duct | Per arrangement, sq. ft. | | ICB |
| PE1SE | Frame / Aisle Lighting | Per arrangement, sq. ft. | | ICB |
| PE1S | Framework Ground Conductors | Per arrangement | | ICB |
| PE1SH | Extraordinary Modifications | Per arrangement | | ICB |
| PE1BW | Space Enclosure (Note 3) Welded Wire-mesh | Per first 100 sq. ft. | \$197.55 | NA |
| PE1CW | Welded Wire-mesh | Per add'l 50 sq. ft. | \$20.07 | NA |
| PE1PJ | Floor Space | Per sq. ft. | \$4.01 | NA |
| PE1BD | Cable Installation | Per cable | NA | \$1,706.00 Disconnect charge \$36.00 |
| PE1PM | Cable Support Structure | Per entrance cable | \$24.05 | NA |
| PE1PL | Power -48V DC Power | Per amp | \$7.15 | ICB |
| PE1FB | 120V AC Power single phase* | Per breaker amp | \$5.50 | ICB |
| PE1FD | 240V AC Power single phase* | Per breaker amp | \$11.00 | ICB |
| PE1FE | 120V AC Power three phase* | Per breaker amp | \$16.50 | ICB |
| PE1FG | 277 AC Power three phase* | Per breaker amp | \$38.20 | ICB |
| PE1P2 | Cross Connects (Note 4) 2-wire | Per cross connect | \$0.26 | First/Add'l \$23.04/\$22.11 |
| PE1P4 | 4-wire | | \$0.52 | \$23.23/\$22.24 |
| PE1P1 | DS-1 | | \$2.03 | \$43.61/\$30.60 |
| PE1P3 | DS-3 | | \$36.27 | \$41.46/\$29.20 |

| LOUISIANA (continued) | | | | |
|-----------------------|---|------------------------|---------------------|--------------------------|
| USOC | Rate Element Description | Unit | Recurring Rate (RC) | Non-Recurring Rate (NRC) |
| PE1F2 | Cross Connects (continued) | Per cross connect | | First/Add'l |
| | 2-fiber | | \$19.13 | \$41.07/\$29.63 |
| PE1F4 | 4-fiber | | \$34.38 | \$49.81/\$38.37 |
| | | | | Disconnect Charges |
| | 2-wire | | | First/Add'l |
| | 4-wire | | | \$9.48/\$8.54 |
| | DS-1 | | | \$9.53/\$8.55 |
| | DS-3 | | | \$9.56/\$8.63 |
| | 2-fiber | | | \$11.06/\$8.86 |
| | 4-fiber | | | \$12.84/\$10.29 |
| | | | | \$16.75/\$14.20 |
| | | | | |
| | Co-Carrier Cross-Connect (Note 5) | | | |
| PE1ES | Fiber Cable Support Structure, existing | Per linear ft. | \$0.06 | NA |
| PE1DS | Copper or Coaxial Cable Support Structure, existing | Per linear ft. | \$0.03 | NA |
| (TBD) | Cable Support Structure Construction, new | Per new construction | NA | ICB |
| | | | | |
| PE1AX | Security Access System Security System* | Per premises | \$52.00 | |
| | New Access Card Activation* | Per card | | \$55.00 |
| PE1AA | Administrative change, existing card* | Per card | | \$35.00 |
| PE1AR | Replace lost or stolen card | Per card | | \$250.00 |
| | | | | |
| PE1SR | Space Availability Report* | Per premises requested | | \$550.00 |
| | | | | |
| | POT Bay Arrangements <i>Prior to 6/1/99</i> | Per cross-connect | | |
| PE1PE | 2-Wire Cross-Connect | | \$0.0776 | NA |
| PE1PF | 4-Wire Cross-Connect | | \$0.1552 | NA |
| PE1PG | DS1 Cross-Connect | | \$0.6406 | NA |
| PE1PH | DS3 Cross-Connect | | \$4.75 | NA |
| PE1B2 | 2 Fiber Cross-Connect | | \$47.44 | NA |
| PE1B4 | 4 Fiber Cross-Connect | | \$63.97 | NA |

| LOUISIANA (continued) | | | | |
|-----------------------|--|---|---------------------|--|
| USOC | Rate Element Description | Unit | Recurring Rate (RC) | Non-Recurring Rate (NRC) |
| | Security Escort | Per half hr./Add'l half hr. | | |
| PE1BT | Basic Time | | NA | \$32.35/\$19.95 |
| PE1OT | Overtime | | NA | \$40.50/\$25.00 |
| PE1PT | Premium Time | | NA | \$48.66/\$30.05 |
| | | | | |
| AEH | Additional Engineering Fee (Note 6) | Per request, first half hr/add'l half hr. | | First/Add'l Basic Time \$31.00/\$22.00 Overtime \$37.00/\$26.00 |

Note(s):

N/A refers to rate elements which do not have a negotiated rate.

- (1) **Subsequent Application Fee:** BellSouth requires the submission of an Application Fee for modifications to an existing arrangement. However, when the modifications do not require BellSouth to expend capital, BellSouth will assess the Subsequent Application Fee in lieu of the Application Fee. Proposed modifications that could result in assessment of a Subsequent Application Fee would cause BellSouth to analyze the following but are not limited to: floor loading changes, changes to HVAC requirements, power requirement changes which may result in a power plant upgrade, environmental or safety requirements, or equipment relocation. Should the Subsequent Application Fee not be included as part of this Attachment, Accutel will be assessed the full Application Fee for all subsequent activity for completed arrangements.
- (2) **Space Preparation Fee:** The Space Preparation Fee is a one-time fee, assessed per arrangement, per location. It recovers the costs associated with the shared physical collocation area within a Premises, which include survey, engineering, design and modification costs for network, building and support systems. In the event Accutel opts for non-enclosed space, the space preparation fee will be assessed based on the total floor space dedicated to Accutel as prescribed in Section 7 of the Collocation Attachment.
- (3) **Space Enclosure Fee:** The Space Enclosure Construction Fee is a monthly recurring fee, assessed per enclosure, per location with a one-hundred (100) square foot minimum enclosure. It recovers costs associated with providing an optional equipment arrangement enclosure, which include architectural and engineering fees, materials, and installation costs. The cost for additional square feet is applicable only when ordered with the first 100 square feet and must be requested in fifty (50) square foot increments. Accutel may, at its option, arrange with a BellSouth Certified Contractor to construct the space enclosure in accordance with BellSouth's guidelines and specifications. In this event, the BellSouth Certified Contractor shall directly bill Accutel for the space enclosure, and this fee shall not be applicable.

EXHIBIT A: BELLSOUTH/Accutel RATES – LOUISIANA
PHYSICAL COLLOCATION (continued)

- (4) **Cross Connects:** The charges for cross connects are for orders placed electronically. Cross connect elements may also be ordered manually for which there is an additional charge per element.

| | First / Additional | Disconnect Charges First / Additional |
|--------|--------------------|--|
| 2-wire | \$24.92/\$23.99 | \$10.56/\$9.62 |
| 4-wire | \$25.11/\$24.12 | \$10.61/\$9.63 |
| DS-1 | \$45.49/\$32.48 | \$10.64/\$9.71 |
| DS-3 | \$43.34/\$31.08 | \$12.14/\$9.94 |

- (5) **Co-Carrier Cross-Connect.** As stated in Section 5 of the Collocation Attachment, Accutel may connect to other CLECs within the designated Premises in addition to, and not in lieu of, interconnection to BellSouth services and facilities. Where BellSouth must construct a cable rack structure to house the co-Carrier cross-connection, construction charges will be applied on an individual case basis as described in Section 5.6.1 of the Collocation Attachment. BellSouth shall provide an estimate of these charges in the Application Response. Where an existing cable rack structure is in place and has sufficient capacity to accommodate the co-Carrier cross-connection requested, the recurring charges as stated in this Exhibit A shall apply.
- (6) **Additional Engineering Fee:** BellSouth's additional engineering, and other labor costs associated with handling Accutel-requested modifications to requests in progress or augmentations to existing arrangements shall be recovered as Additional Engineering charges, under provisions in BellSouth's F.C.C. Number 1 Tariff, Sections 13.1 and 13.2. Should Additional Engineering rates not be included, Accutel agrees not to make changes to collocation arrangement after a Bona Fide Firm Order is submitted.

EXHIBIT A: BELLSOUTH/Accutel RATES – MISSISSIPPI
PHYSICAL COLLOCATION

Rates marked with an asterisk (*) are interim and are subject to true-up.

| USOC | Rate Element Description | Unit | Recurring Rate (RC) | Non-Recurring Rate (NRC) |
|--------|---|---------------------------|---------------------|--|
| PE1BA | Application Fee | Per request | NA | \$6,993.00 Disconnect Charge \$1.70 |
| PE1CA | Subsequent Application Fee (Note 1) | Per request | NA | \$1,600.00 Minimum |
| PE1BG | Space Preparation Fee (Note 2) Mechanical / HVAC* | Per ton (one ton minimum) | | \$2,400.00 |
| PE1SBB | Ground Bar* | Per connection | | \$720.00 |
| PE1SC | Project Management* | Per arrangement | | \$1,675.00 |
| PE1SD | Cable Racking / Fiber Duct | Per arrangement, sq. ft. | | ICB |
| PE1SE | Frame / Aisle Lighting | Per arrangement, sq. ft. | | ICB |
| PE1S | Framework Ground Conductors | Per arrangement | | ICB |
| PE1SH | Extraordinary Modifications | Per arrangement | | ICB |
| PE1BW | Space Enclosure (Note 3) Welded Wire-mesh | Per first 100 sq. ft. | \$205.08 | NA |
| PE1CW | Welded Wire-mesh | Per add'l 50 sq. ft. | \$20.83 | NA |
| PE1PJ | Floor Space | Per sq. ft. | \$3.45 | |
| PE1BD | Cable Installation | Per cable | NA | \$2,419.00 Disconnection charge \$53.24 |
| PE1PM | Cable Support Structure | Per entrance cable | \$22.90 | NA |
| PE1PL | Power -48V DC Power | Per amp | \$6.93 | ICB |
| PE1FB | 120V AC Power single phase* | Per breaker amp | \$5.50 | ICB |
| PE1FD | 240V AC Power single phase* | Per breaker amp | \$11.00 | ICB |
| PE1FE | 120V AC Power three phase* | Per breaker amp | \$16.50 | ICB |
| PE1FG | 277 AC Power three phase* | Per breaker amp | \$38.20 | ICB |
| PE1P2 | Cross Connects (Note 4) 2-wire | Per cross connect | \$3.996 | First/Add'l \$30.93/\$29.59 |
| PE1P4 | 4-wire | | \$7.992 | \$31.17/\$29.77 |

| MISSISSIPPI (continued) | | | | |
|-------------------------|---|------------------------|---------------------|--------------------------|
| USOC | Rate Element Description | Unit | Recurring Rate (RC) | Non-Recurring Rate (NRC) |
| | Cross Connects (continued) | Per cross connect | | First/Add'l |
| PE1P1 | DS-1 | | \$2.90 | \$60.42/\$41.68 |
| PE1P3 | DS-3 | | \$53.31 | \$57.45/\$39.81 |
| PE1F2 | 2-fiber | | \$15.64 | \$41.56/\$29.82 |
| PE1F4 | 4-fiber | | \$28.11 | \$50.53/\$38.78 |
| | | | | Disconnect Charges |
| | | | | First/Add'l |
| | 2-wire | | | \$12.76/\$11.43 |
| | 4-wire | | | \$12.83/\$11.43 |
| | DS-1 | | | \$12.87/\$11.54 |
| | DS-3 | | | \$14.92/\$11.80 |
| | 2-fiber | | | \$12.96/\$10.34 |
| | 4-fiber | | | \$16.97/\$14.35 |
| | | | | |
| | Co-Carrier Cross-Connect (Note 5) | | | |
| PE1ES | Fiber Cable Support Structure, existing | Per linear ft. | \$0.06 | NA |
| PE1DS | Copper or Coaxial Cable Support Structure, existing | Per linear ft. | \$0.03 | NA |
| Copper (TBD) | Cable Support Structure Construction, new | Per new construction | NA | ICB |
| | | | | |
| PE1AX | Security Access System Security System* | Per premises | \$52.00 | |
| | New Access Card Activation* | Per card | | \$55.00 |
| PE1AA | Administrative change, existing card* | Per card | | \$35.00 |
| PE1AR | Replace lost or stolen card | Per card | | \$250.00 |
| | | | | |
| PE1SR | Space Availability Report* | Per premises requested | | \$550.00 |
| | | | | |
| | POT Bay Arrangements <i>Prior to 6/1/99</i> | Per cross-connect | | |
| PE1PE | 2-Wire Cross-Connect | | \$0.1195 | NA |
| PE1PF | 4-Wire Cross-Connect | | \$0.2389 | NA |
| PE1PG | DS1 Cross-Connect | | \$0.9862 | NA |
| PE1PH | DS3 Cross-Connect | | \$5.81 | NA |
| PE1B2 | 2 Fiber Cross-Connect | | \$38.79 | NA |
| PE1B4 | 4 Fiber Cross-Connect | | \$52.31 | NA |

| MISSISSIPPI (continued) | | | | |
|-------------------------|--|---|---------------------|--|
| USOC | Rate Element Description | Unit | Recurring Rate (RC) | Non-Recurring Rate (NRC) |
| | Security Escort | Per half hr./Add'l half hr. | | |
| PE1BT | Basic Time | | NA | \$42.87/\$25.54 |
| PE1OT | Overtime | | NA | \$54.43/\$32.41 |
| PE1PT | Premium Time | | NA | \$65.99/\$39.28 |
| AEH | Additional Engineering Fee (Note 6) | Per request, first half hr/add'l half hr. | | First/Add'l Basic Time \$31.00/\$22.00 Overtime \$37.00/\$26.00 |

Note(s):

N/A refers to rate elements which do not have a negotiated rate.

- (1) **Subsequent Application Fee:** BellSouth requires the submission of an Application Fee for modifications to an existing arrangement. However, when the modifications do not require BellSouth to expend capital, BellSouth will assess the Subsequent Application Fee in lieu of the Application Fee. Proposed modifications that could result in assessment of a Subsequent Application Fee would cause BellSouth to analyze the following but are not limited to: floor loading changes, changes to HVAC requirements, power requirement changes which may result in a power plant upgrade, environmental or safety requirements, or equipment relocation. Should the Subsequent Application Fee not be included as part of this Attachment, Accutel will be assessed the full Application Fee for all subsequent activity for completed arrangements.
- (2) **Space Preparation Fee:** The Space Preparation Fee is a one-time fee, assessed per arrangement, per location. It recovers the costs associated with the shared physical collocation area within a Premises, which include survey, engineering, design and modification costs for network, building and support systems. In the event Accutel opts for non-enclosed space, the space preparation fee will be assessed based on the total floor space dedicated to Accutel as prescribed in Section 7 of the Collocation Attachment.
- (3) **Space Enclosure Fee:** The Space Enclosure Construction Fee is a monthly recurring fee, assessed per enclosure, per location with a one-hundred (100) square foot minimum enclosure. It recovers costs associated with providing an optional equipment arrangement enclosure, which include architectural and engineering fees, materials, and installation costs. The cost for additional square feet is applicable only when ordered with the first 100 square feet and must be requested in fifty (50) square foot increments. Accutel may, at its option, arrange with a BellSouth Certified Contractor to construct the space enclosure in accordance with BellSouth's guidelines and specifications. In this event, the BellSouth Certified Contractor shall directly bill Accutel for the space enclosure, and this fee shall not be applicable.

EXHIBIT A: BELLSOUTH/Accutel RATES – MISSISSIPPI
PHYSICAL COLLOCATION (continued)

- (4) **Cross Connects:** The charges for cross connects are for orders placed electronically. Cross connect elements may also be ordered manually for which there is an additional charge per element.

| | First / Additional | Disconnect Charges First / Additional |
|--------|--------------------|--|
| 2-wire | \$33.58 / \$32.24 | \$14.27 / \$12.94 |
| 4-wire | \$33.82 / \$32.42 | \$14.34 / \$12.94 |
| DS-1 | \$63.07 / \$44.33 | \$14.38 / \$13.05 |
| DS-3 | \$60.10 / \$42.46 | \$16.43 / \$13.31 |

- (5) **Co-Carrier Cross-Connect.** As stated in Section 5 of the Collocation Attachment, Accutel may connect to other CLECs within the designated Premises in addition to, and not in lieu of, interconnection to BellSouth services and facilities. Where BellSouth must construct a cable rack structure to house the co-Carrier cross-connection, construction charges will be applied on an individual case basis as described in Section 5.6.1 of the Collocation Attachment. BellSouth shall provide an estimate of these charges in the Application Response. Where an existing cable rack structure is in place and has sufficient capacity to accommodate the co-Carrier cross-connection requested, the recurring charges as stated in this Exhibit A shall apply.
- (6) **Additional Engineering Fee:** BellSouth's additional engineering, and other labor costs associated with handling Accutel-requested modifications to requests in progress or augmentations for existing arrangements shall be recovered as Additional Engineering charges, under provisions in BellSouth's F.C.C. Number 1 Tariff, Sections 13.1 and 13.2. Should Additional Engineering rates not be included, Accutel agrees not to make changes to collocation arrangement after a Bona Fide Firm Order is submitted.

EXHIBIT A: BELLSOUTH/Accutel RATES – NORTH CAROLINA
PHYSICAL COLLOCATION

Rates marked with an asterisk (*) are interim and are subject to true-up.

| USOC | Rate Element Description | Unit | Recurring Rate (RC) | Non-Recurring Rate (NRC) |
|-------|---|-------------------------|---------------------|--------------------------------|
| PE1BA | Application Fee | Per request | NA | \$3,850.00 |
| PE1CA | Subsequent Application Fee (Note 1) | Per request | NA | \$1,600.00 Minimum |
| | Space Preparation Fee | | | |
| | Central Office Modification | Per sq. ft. | \$1.57 | |
| | Common Systems Modification – Cageless | Per sq. ft. | \$3.26 | |
| | Common Systems Modification – Caged | Per cage | \$110.79 | |
| | Power | Per nominal –48v DC Amp | \$5.76 | |
| PE1BW | Space Enclosure (Note 2) Welded Wire-mesh | Per first 100 sq. ft. | \$102.76 | NA |
| PE1CW | Welded Wire-mesh | Per add'l 50 sq. ft. | \$10.44 | NA |
| PE1PJ | Floor Space | Per sq. ft. | \$3.45 | NA |
| PE1BD | Cable Installation | Per cable | NA | \$2,305.00 |
| PE1PM | Cable Support Structure | Per entrance cable | \$21.33 | NA |
| PE1PL | Power -48V DC Power | Per amp | \$6.65 | ICB |
| PE1FB | 120V AC Power single phase* | Per breaker amp | \$5.50 | ICB |
| PE1FD | 240V AC Power single phase* | Per breaker amp | \$11.00 | ICB |
| PE1FE | 120V AC Power three phase* | Per breaker amp | \$16.50 | ICB |
| PE1FG | 277 AC Power three phase* | Per breaker amp | \$38.20 | ICB |
| PE1P2 | Cross Connects (Note 3) 2-wire | Per cross connect | \$0.32 | First/Add'l \$41.78/\$39.23 |
| PE1P4 | 4-wire | | \$0.64 | \$41.91/\$39.25 |
| PE1P1 | DS-1 | | \$2.34 | \$71.02/\$51.08 |
| PE1P3 | DS-3 | | \$42.84 | \$69.84/\$49.43 |
| PE1F2 | 2-fiber | | \$15.99 | \$67.34/\$48.55 |
| PE1F4 | 4-fiber | | \$28.74 | \$82.35/\$63.56 |

| NORTH CAROLINA (continued) | | | | |
|----------------------------|--|---|---------------------|--|
| USOC | Rate Element Description | Unit | Recurring Rate (RC) | Non-Recurring Rate (NRC) |
| | Co-Carrier Cross-Connect (Note 4) | | | |
| PE1ES Fiber | Fiber Cable Support Structure, existing | Per linear ft. | \$0.06 | NA |
| PE1DS Copper (TBD) | Copper or Coaxial Cable Support Structure, existing | Per linear ft. | \$0.03 | NA |
| | Cable Support Structure Construction, new | Per new construction | NA | ICB |
| PE1AX | Security Access System Security System* | Per premises | \$52.00 | |
| PE1AA | New Access Card Activation* Administrative change, existing card* | Per card Per card | | \$55.00 \$35.00 |
| PE1AR | Replace lost or stolen card | Per card | | \$250.00 |
| PE1SR | Space Availability Report* | Per premises requested | | \$550.00 |
| | POT Bay Arrangements <i>Prior to 6/1/99</i> | Per cross-connect | | |
| PE1PE | 2-Wire Cross-Connect | | \$0.10 | NA |
| PE1PF | 4-Wire Cross-Connect | | \$0.19 | NA |
| PE1PG | DS1 Cross-Connect | | \$0.79 | NA |
| PE1PH | DS3 Cross-Connect | | \$4.85 | NA |
| PE1B2 | 2 Fiber Cross-Connect | | \$39.67 | NA |
| PE1B4 | 4 Fiber Cross-Connect | | \$53.49 | NA |
| | Security Escort | Per half hr./Add'l half hr. | | |
| PE1BT | Basic Time | | NA | \$42.92/\$25.56 |
| PE1OT | Overtime | | NA | \$54.51/\$32.44 |
| PE1PT | Premium Time | | NA | \$66.10/\$39.32 |
| AEH | Additional Engineering Fee (Note 5) | Per request, first half hr/add'l half hr. | | First/Add'l Basic Time \$31.00/\$22.00 Overtime \$37.00/\$26.00 |

EXHIBIT A: BELLSOUTH/Accutel RATES – NORTH CAROLINA
PHYSICAL COLLOCATION (continued)

Note(s):

N/A refers to rate elements which do not have a negotiated rate.

- (1) **Subsequent Application Fee:** BellSouth requires the submission of an Application Fee for modifications to an existing arrangement. However, when the modifications do not require BellSouth to expend capital, BellSouth will assess the Subsequent Application Fee in lieu of the Application Fee. Proposed modifications that could result in assessment of a Subsequent Application Fee would cause BellSouth to analyze the following but are not limited to: floor loading changes, changes to HVAC requirements, power requirement changes which may result in a power plant upgrade, environmental or safety requirements, or equipment relocation. Should the Subsequent Application Fee not be included as part of this Attachment, Accutel will be assessed the full Application Fee for all subsequent activity for completed arrangements.
- (2) **Space Enclosure Fee:** The Space Enclosure Construction Fee is a monthly recurring fee, assessed per enclosure, per location with a one-hundred (100) square foot minimum enclosure. It recovers costs associated with providing an optional equipment arrangement enclosure, which include architectural and engineering fees, materials, and installation costs. The cost for additional square feet is applicable only when ordered with the first 100 square feet and must be requested in fifty (50) square foot increments. Accutel may, at its option, arrange with a BellSouth Certified Contractor to construct the space enclosure in accordance with BellSouth's guidelines and specifications. In this event, the BellSouth Certified Contractor shall directly bill Accutel for the space enclosure, and this fee shall not be applicable.
- (3) **Cross Connect:** The charges for cross connects are for orders placed electronically. Cross connect elements may also be ordered manually for which there is an additional charge per element.

| | <u>First/Additional</u> |
|--------|-------------------------|
| 2-wire | \$46.53/\$43.98 |
| 4-wire | \$46.64/\$43.98 |
| DS-1 | \$75.72/\$55.78 |
| DS-3 | \$74.54/\$54.13 |

- (4) **Co-Carrier Cross-Connect.** As stated in Section 5 of the Collocation Attachment, Accutel may connect to other CLECs within the designated Premises in addition to, and not in lieu of, interconnection to BellSouth services and facilities. Where BellSouth must construct a cable rack structure to house the co-Carrier cross-connection, construction charges will be applied on an individual case basis as described in Section 5.6.1 of the Collocation Attachment. BellSouth shall provide an estimate of these charges in the Application Response. Where an existing cable rack structure is in place and has sufficient capacity to accommodate the co-Carrier cross-connection requested, the recurring charges as stated in this Exhibit A shall apply.

EXHIBIT A: BELLSOUTH/Accutel RATES – NORTH CAROLINA
PHYSICAL COLLOCATION (continued)

- (5) **Additional Engineering Fee:** BellSouth's additional engineering, and other labor costs associated with handling Accutel-requested modifications to requests in progress or augmentations for existing arrangements shall be recovered as Additional Engineering charges, under provisions in BellSouth's F.C.C. Number 1 Tariff, Sections 13.1 and 13.2. Should Additional Engineering rates not be included, Accutel agrees not to make changes to collocation arrangement after a Bona Fide Firm Order is submitted.

EXHIBIT A: BELLSOUTH/Accutel RATES – SOUTH CAROLINA
PHYSICAL COLLOCATION

Rates marked with an asterisk (*) are interim and are subject to true-up.

| USOC | Rate Element Description | Unit | Recurring Rate (RC) | Non-Recurring Rate (NRC) |
|-------|---|---------------------------|---------------------|--------------------------------|
| PE1BA | Application Fee | Per request | NA | \$4,850.00 |
| PE1CA | Subsequent Application Fee (Note 1) | Per request | NA | \$1,600.00 Minimum |
| PE1BG | Space Preparation Fee (Note 2) Mechanical / HVAC* | Per ton (one ton minimum) | | \$2,400.00 |
| PE1BB | Ground Bar* | Per connection | | \$720.00 |
| PE1SC | Project Management* | Per arrangement | | \$1,675.00 |
| PE1SD | Cable Racking / Fiber Duct | Per arrangement, sq. ft. | | ICB |
| PE1SE | Frame / Aisle Lighting | Per arrangement, sq. ft. | | ICB |
| PE1S | Framework Ground Conductors | Per arrangement | | ICB |
| PE1SH | Extraordinary Modifications | Per arrangement | | ICB |
| PE1BW | Space Enclosure (Note 3) Welded Wire-mesh | Per first 100 sq. ft. | \$224.60 | NA |
| PE1CW | Welded Wire-mesh | Per add'l 50 sq. ft. | \$22.81 | NA |
| PE1PJ | Floor Space | Per sq. ft. | \$3.90 | NA |
| PE1BD | Cable Installation | Per cable | NA | \$2,217.00 |
| PE1PM | Cable Support Structure | Per entrance cable | \$24.55 | NA |
| PE1PL | Power -48V DC Power | Per amp | \$7.09 | ICB |
| PE1FB | 120V AC Power single phase* | Per breaker amp | \$5.50 | ICB |
| PE1FD | 240V AC Power single phase* | Per breaker amp | \$11.00 | ICB |
| PE1FE | 120V AC Power three phase* | Per breaker amp | \$16.50 | ICB |
| PE1FG | 277 AC Power three phase* | Per breaker amp | \$38.20 | ICB |
| PE1P2 | Cross Connects (Note 4) 2-wire | Per cross connect | \$0.3648 | First/Add'l \$41.50/\$38.94 |
| PE1P4 | 4-wire | | \$0.7297 | \$41.56/\$38.90 |
| PE1P1 | DS-1 | | \$2.70 | \$70.79/\$50.78 |
| PE1P3 | DS-3 | | \$49.24 | \$69.60/\$49.14 |
| PE1F2 | 2-fiber | | \$15.06 | \$69.28/\$48.89 |
| PE1F4 | 4-fiber | | \$27.08 | \$84.07/\$63.68 |

| SOUTH CAROLINA (continued) | | | | |
|-----------------------------------|--|---|----------------------------|--|
| USOC | Rate Element Description | Unit | Recurring Rate (RC) | Non-Recurring Rate (NRC) |
| | Co-Carrier Cross-Connect (Note 5) | | | |
| PE1ES Fiber | Fiber Cable Support Structure, existing | Per linear ft. | \$0.06 | NA |
| PE1DS Copper (TBD) | Copper or Coaxial Cable Support Structure, existing | Per linear ft. | \$0.03 | NA |
| | Cable Support Structure Construction, new | Per new construction | NA | ICB |
| PE1AX | Security Access System Security System* | Per premises | \$52.00 | |
| PE1AA | New Access Card Activation* Administrative change, existing card* | Per card Per card | | \$55.00 \$35.00 |
| PE1AR | Replace lost or stolen card | Per card | | \$250.00 |
| PE1SR | Space Availability Report* | Per premises requested | | \$550.00 |
| | POT Bay Arrangements Prior to 6/1/99 | Per cross-connect | | |
| PE1PE | 2-Wire Cross-Connect | | \$0.1091 | NA |
| PE1PF | 4-Wire Cross-Connect | | \$0.2181 | NA |
| PE1PG | DS1 Cross-Connect | | \$0.9004 | NA |
| PE1PH | DS3 Cross-Connect | | \$5.64 | NA |
| PE1B2 | 2 Fiber Cross-Connect | | \$37.36 | NA |
| PE1B4 | 4 Fiber Cross-Connect | | \$50.38 | NA |
| | Security Escort | Per half hr./Add'l half hr. | | |
| PE1BT | Basic Time | | NA | \$43.00/\$25.57 |
| PE1OT | Overtime | | NA | \$54.62/\$32.46 |
| PE1PT | Premium Time | | NA | \$66.24/\$39.35 |
| AEH | Additional Engineering Fee (Note 6) | Per request, first half hr/add'l half hr. | | First/Add'l Basic Time \$31.00/\$22.00 Overtime \$37.00/\$26.00 |

EXHIBIT A: BELLSOUTH/Accutel RATES – SOUTH CAROLINA
PHYSICAL COLLOCATION (continued)

Note(s):

N/A refers to rate elements which do not have a negotiated rate.

- (1) **Subsequent Application Fee:** BellSouth requires the submission of an Application Fee for modifications to an existing arrangement. However, when the modifications do not require BellSouth to expend capital, BellSouth will assess the Subsequent Application Fee in lieu of the Application Fee. Proposed modifications that could result in assessment of a Subsequent Application Fee would cause BellSouth to analyze the following but are not limited to: floor loading changes, changes to HVAC requirements, power requirement changes which may result in a power plant upgrade, environmental or safety requirements, or equipment relocation. Should the Subsequent Application Fee not be included as part of this Attachment, Accutel will be assessed the full Application Fee for all subsequent activity for completed arrangements.
- (2) **Space Preparation Fee:** The Space Preparation Fee is a one-time fee, assessed per arrangement, per location. It recovers the costs associated with the shared physical collocation area within a Premises, which include survey, engineering, design and modification costs for network, building and support systems. In the event Accutel opts for non-enclosed space, the space preparation fee will be assessed based on the total floor space dedicated to Accutel as prescribed in Section 7 of the Collocation Attachment.
- (3) **Space Enclosure Fee:** The Space Enclosure Construction Fee is a monthly recurring fee, assessed per enclosure, per location with a one-hundred (100) square foot minimum enclosure. It recovers costs associated with providing an optional equipment arrangement enclosure, which include architectural and engineering fees, materials, and installation costs. The cost for additional square feet is applicable only when ordered with the first 100 square feet and must be requested in fifty (50) square foot increments. Accutel may, at its option, arrange with a BellSouth Certified Contractor to construct the space enclosure in accordance with BellSouth's guidelines and specifications. In this event, the BellSouth Certified Contractor shall directly bill Accutel for the space enclosure, and this fee shall not be applicable.
- (4) **Cross Connects:** The charges for cross connects are for orders placed electronically. Cross connect elements may also be ordered manually for which there is an additional charge per element.

| | <u>First / Additional</u> |
|--------|---------------------------|
| 2-wire | \$46.66 / \$44.10 |
| 4-wire | \$46.68 / \$44.02 |
| DS-1 | \$75.88 / \$55.87 |
| DS-3 | \$74.69 / \$54.23 |

EXHIBIT A: BELLSOUTH/Accutel RATES – SOUTH CAROLINA
PHYSICAL COLLOCATION (continued)

- (5) **Co-Carrier Cross-Connect.** As stated in Section 5 of the Collocation Attachment, Accutel may connect to other CLECs within the designated Premises in addition to, and not in lieu of, interconnection to BellSouth services and facilities. Where BellSouth must construct a cable rack structure to house the co-Carrier cross-connection, construction charges will be applied on an individual case basis as described in Section 5.6.1 of the Collocation Attachment. BellSouth shall provide an estimate of these charges in the Application Response. Where an existing cable rack structure is in place and has sufficient capacity to accommodate the co-Carrier cross-connection requested, the recurring charges as stated in this Exhibit A shall apply.
- (6) **Additional Engineering Fee:** BellSouth's additional engineering, and other labor costs associated with handling Accutel-requested modifications to requests in progress or augmentations to existing arrangements shall be recovered as Additional Engineering charges, under provisions in BellSouth's F.C.C. Number 1 Tariff, Sections 13.1 and 13.2. Should Additional Engineering rates not be included, Accutel agrees not to make changes to collocation arrangement after a Bona Fide Firm Order is submitted.

EXHIBIT A: BELLSOUTH/Accutel RATES – TENNESSEE
PHYSICAL COLLOCATION

*** Rates are interim and are subject to true-up.**

| USOC | Rate Element Description | Unit | Recurring Rate (RC) | Non-Recurring Rate (NRC) |
|-------|---|---------------------------|---------------------|--------------------------------|
| PE1BA | Application Fee | Per request | NA | \$3,850.00 |
| PE1CA | Subsequent Application Fee (Note 1) | Per request | NA | \$1,600.00 Minimum |
| PE1BG | Space Preparation Fee (Note 2) Mechanical / HVAC* | Per ton (one ton minimum) | | \$2,400.00 |
| PE1BB | Ground Bar* | Per connection | | \$720.00 |
| PE1SC | Project Management* | Per arrangement | | \$1,675.00 |
| PE1SD | Cable Racking / Fiber Duct | Per arrangement, sq. ft. | | ICB |
| PE1SE | Frame / Aisle Lighting | Per arrangement, sq. ft. | | ICB |
| PE1S | Framework Ground Conductors | Per arrangement | | ICB |
| PE1SH | Extraordinary Modifications | Per arrangement | | ICB |
| PE1BW | Space Enclosure (Note 3) Welded Wire-mesh | Per first 100 sq. ft. | \$190.79 | NA |
| PE1CW | Welded Wire-mesh | Per add'l 50 sq. ft. | \$19.38 | NA |
| PE1PJ | Floor Space | Per sq. ft. | \$7.50 | NA |
| PE1BD | Cable Installation | Per cable | NA | \$2,750.00 |
| PE1PM | Cable Support Structure | Per entrance cable | \$13.35 | NA |
| PE1PL | Power -48V DC Power | Per amp | \$5.00 | ICB |
| PE1FB | 120V AC Power single phase* | Per breaker amp | \$5.50 | ICB |
| PE1FD | 240V AC Power single phase* | Per breaker amp | \$11.00 | ICB |
| PE1FE | 120V AC Power three phase* | Per breaker amp | \$16.50 | ICB |
| PE1FG | 277 AC Power three phase* | Per breaker amp | \$38.20 | ICB |
| PE1P2 | Cross Connects 2-wire | Per cross connect | \$0.30 | First/Add'l \$19.20/\$19.20 |
| PE1P4 | 4-wire | | \$0.50 | \$19.20/\$19.20 |
| PE1P1 | DS-1 | | \$8.00 | \$155.00/\$27.00 |
| PE1P3 | DS-3 | | \$72.00 | \$155.00/\$27.00 |
| PE1F2 | 2-fiber | | \$15.64 | \$41.56/\$29.82 |
| PE1F4 | 4-fiber | | \$28.11 | \$50.53/\$38.78 |

| TENNESSEE (continued) | | | | |
|-----------------------|---|---|---------------------|--|
| USOC | Rate Element Description | Unit | Recurring Rate (RC) | Non-Recurring Rate (NRC) |
| PE1ES | Co-Carrier Cross-Connect (Note 4) Fiber Cable Support Structure, existing | Per linear ft. | \$0.06 | NA |
| PE1DS | Copper or Coaxial Cable Support Structure, existing | Per linear ft. | \$0.03 | NA |
| Copper (TBD) | Cable Support Structure Construction, new | Per new construction | NA | ICB |
| PE1AX | Security Access System Security System | Per premises | \$52.00 | |
| PE1AA | New Access Card Activation | Per card | | \$55.00 |
| | Administrative change, existing card | Per card | | \$35.00 |
| PE1AR | Replace lost or stolen card | Per card | | \$250.00 |
| PE1SR | Space Availability Report* | Per premises requested | | \$550.00 |
| | POT Bay Arrangements <i>Prior to 6/1/99</i> | Per cross-connect | | |
| PE1PE | 2-Wire Cross-Connect | | \$0.40 | NA |
| PE1PF | 4-Wire Cross-Connect | | \$1.20 | NA |
| PE1PG | DS1 Cross-Connect | | \$1.20 | NA |
| PE1PH | DS3 Cross-Connect | | \$8.00 | NA |
| PE1B2 | 2 Fiber Cross-Connect | | \$38.79 | NA |
| PE1B4 | 4 Fiber Cross-Connect | | \$52.31 | NA |
| | Security Escort | Per half hr./Add'l half hr. | | |
| PE1BT | Basic Time | | NA | \$41.00/\$25.00 |
| PE1OT | Overtime | | NA | \$48.00/\$30.00 |
| PE1PT | Premium Time | | NA | \$55.00/\$35.00 |
| AEH | Additional Engineering Fee (Note 5) | Per request, first half hr/add'l half hr. | | First/Add'l Basic Time \$31.00/\$22.00 Overtime \$37.00/\$26.00 |

EXHIBIT A: BELLSOUTH/Accutel RATES – TENNESSEE
PHYSICAL COLLOCATION (continued)

Note(s):

N/A refers to rate elements which do not have a negotiated rate.

- (1) **Subsequent Application Fee:** BellSouth requires the submission of an Application Fee for modifications to an existing arrangement. However, when the modifications do not require BellSouth to expend capital, BellSouth will assess the Subsequent Application Fee in lieu of the Application Fee. Proposed modifications that could result in assessment of a Subsequent Application Fee would cause BellSouth to analyze the following but are not limited to: floor loading changes, changes to HVAC requirements, power requirement changes which may result in a power plant upgrade, environmental or safety requirements, or equipment relocation. Should the Subsequent Application Fee not be included as part of this Attachment, Accutel will be assessed the full Application Fee for all subsequent activity for completed arrangements.
- (2) **Space Preparation Fee:** The Space Preparation Fee is a one-time fee, assessed per arrangement, per location. It recovers the costs associated with the shared physical collocation area within a Premises, which include survey, engineering, design and modification costs for network, building and support systems. In the event Accutel opts for non-enclosed space, the space preparation fee will be assessed based on the total floor space dedicated to Accutel as prescribed in Section 7 of the Collocation Attachment.
- (3) **Space Enclosure Fee:** The Space Enclosure Construction Fee is a monthly recurring fee, assessed per enclosure, per location with a one-hundred (100) square foot minimum enclosure. It recovers costs associated with providing an optional equipment arrangement enclosure, which include architectural and engineering fees, materials, and installation costs. The cost for additional square feet is applicable only when ordered with the first 100 square feet and must be requested in fifty (50) square foot increments. Accutel may, at its option, arrange with a BellSouth Certified Contractor to construct the space enclosure in accordance with BellSouth's guidelines and specifications. In this event, the BellSouth Certified Contractor shall directly bill Accutel for the space enclosure, and this fee shall not be applicable.
- (4) **Co-Carrier Cross-Connect.** As stated in Section 5 of the Collocation Attachment, Accutel may connect to other CLECs within the designated Premises in addition to, and not in lieu of, interconnection to BellSouth services and facilities. Where BellSouth must construct a cable rack structure to house the co-Carrier cross-connection, construction charges will be applied on an individual case basis as described in Section 5.6.1 of the Collocation Attachment. BellSouth shall provide an estimate of these charges in the Application Response. Where an existing cable rack structure is in place and has sufficient capacity to accommodate the co-Carrier cross-connection requested, the recurring charges as stated in this Exhibit A shall apply.

EXHIBIT A: BELLSOUTH/Accutel RATES – TENNESSEE
PHYSICAL COLLOCATION (continued)

- (5) **Additional Engineering Fee:** BellSouth's additional engineering, and other labor costs associated with handling Accutel-requested modifications to requests in progress or augmentations for existing arrangements shall be recovered as Additional Engineering charges, under provisions in BellSouth's F.C.C. Number 1 Tariff, Sections 13.1 and 13.2. Should Additional Engineering rates not be included, Accutel agrees not to make changes to collocation arrangement after a Bona Fide Firm Order is submitted.

ENVIRONMENTAL AND SAFETY PRINCIPLES

The following principles provide basic guidance on environmental and safety issues when applying for and establishing Physical Collocation arrangements.

1. GENERAL PRINCIPLES

- 1.1 Compliance with Applicable Law. BellSouth and Accutel agree to comply with applicable federal, state, and local environmental and safety laws and regulations including U.S. Environmental Protection Agency (USEPA) regulations issued under the Clean Air Act (CAA), Clean Water Act (CWA), Resource Conservation and Recovery Act (RCRA), Comprehensive Environmental Response, Compensation and Liability Act (CERCLA), Superfund Amendments and Reauthorization Act (SARA), the Toxic Substances Control Act (TSCA), and OSHA regulations issued under the Occupational Safety and Health Act of 1970, as amended and NFPA and National Electrical Codes (NEC) and the NESC (“Applicable Laws”). Each Party shall notify the other if compliance inspections are conducted by regulatory agencies and/or citations are issued that relate to any aspect of this Attachment.
- 1.2 Notice. BellSouth and Accutel shall provide notice to the other, including Material Safety Data Sheets (MSDSs), of known and recognized physical hazards or Hazardous Chemicals existing on site or brought on site. Each Party is required to provide specific notice for known potential Imminent Danger conditions. Accutel should contact 1-800-743-6737 for BellSouth MSDS sheets.
- 1.3 Practices/Procedures. BellSouth may make available additional environmental control procedures for Accutel to follow when working at a BellSouth Premises (See Section 2, below). These practices/procedures will represent the regular work practices required to be followed by the employees and contractors of BellSouth for environmental protection. Accutel will require its contractors, agents and others accessing the BellSouth Premises to comply with these practices. Section 2 lists the Environmental categories where BST practices should be followed by CLEC when operating in the BellSouth Premises.
- 1.4 Environmental and Safety Inspections. BellSouth reserves the right to inspect the Accutel space with proper notification. BellSouth reserves the right to stop any Accutel work operation that imposes Imminent Danger to the environment, employees or other persons in the area or Facility.
- 1.5 Hazardous Materials Brought On Site. Any hazardous materials brought into, used, stored or abandoned at the BellSouth Premises by Accutel are owned by Accutel. Accutel will indemnify BellSouth for claims, lawsuits or damages to persons or

- property caused by these materials. Without prior written BellSouth approval, no substantial new safety or environmental hazards can be created by Accutel or different hazardous materials used by Accutel at BellSouth Facility. Accutel must demonstrate adequate emergency response capabilities for its materials used or remaining at the BellSouth Facility.
- 1.6 Spills and Releases. When contamination is discovered at a BellSouth Premises, the Party discovering the condition must notify BellSouth. All Spills or Releases of regulated materials will immediately be reported by Accutel to BellSouth.
- 1.7 Coordinated Environmental Plans and Permits. BellSouth and Accutel will coordinate plans, permits or information required to be submitted to government agencies, such as emergency response plans, spill prevention control and countermeasures (SPCC) plans and community reporting. If fees are associated with filing, BellSouth and Accutel will develop a cost sharing procedure. If BellSouth's permit or EPA identification number must be used, Accutel must comply with all of BellSouth's permit conditions and environmental processes, including environmental "best management practices (BMP)" (see Section 2, below) and/or selection of BST disposition vendors and disposal sites.
- 1.8 Environmental and Safety Indemnification. BellSouth and Accutel shall indemnify, defend and hold harmless the other Party from and against any claims (including, without limitation, third-party claims for personal injury or death or real or personal property damage), judgments, damages, (including direct and indirect damages, and punitive damages), penalties, fines, forfeitures, costs, liabilities, interest and losses arising in connection with the violation or alleged violation of any Applicable Law or contractual obligation or the presence or alleged presence of contamination arising out of the acts or omissions of the indemnifying Party, its agents, contractors, or employees concerning its operations at the Facility.

2. CATEGORIES FOR CONSIDERATION OF ENVIRONMENTAL ISSUES

When performing functions that fall under the following Environmental categories on BellSouth's Premises, Accutel agrees to comply with the applicable sections of the current issue of BellSouth's Environmental and Safety Methods and Procedures (M&Ps), incorporated herein by this reference. Accutel further agrees to cooperate with BellSouth to ensure that Accutel's employees, agents, and/or subcontractors are knowledgeable of and satisfy those provisions of BellSouth's Environmental M&Ps which apply to the specific Environmental function being performed by Accutel, its employees, agents and/or subcontractors.

The most current version of reference documentation must be requested from BellSouth.

| ENVIRONMENTAL CATEGORIES | ENVIRONMENTAL ISSUES | ADDRESSED BY THE FOLLOWING DOCUMENTATION |
|---|---|--|
| Disposal of hazardous material or other regulated material (e.g., batteries, fluorescent tubes, solvents & cleaning materials) | Compliance with all applicable local, state, & federal laws and regulations Pollution liability insurance EVET approval of contractor | <ul style="list-style-type: none"> • Std T&C 450 • Fact Sheet Series 17000 • Std T&C 660-3 • Approved Environmental Vendor List (Contact E/S Management) |
| Emergency response | Hazmat/waste release/spill firesafety emergency | <ul style="list-style-type: none"> • Fact Sheet Series 1700 • Building Emergency Operations Plan (EOP) (specific to and located on Premises) |
| Contract labor/outsourcing for services with environmental implications to be performed on BellSouth Premises (e.g., disposition of hazardous material/waste; maintenance of storage tanks) | Compliance with all applicable local, state, & federal laws and regulations Performance of services in accordance with BST's environmental M&Ps Insurance | <ul style="list-style-type: none"> • Std T&C 450 • Std T&C 450-B • (Contact E/S for copy of appropriate E/S M&Ps.) • Std T&C 660 |
| Transportation of hazardous material | Compliance with all applicable local, state, & federal laws and regulations Pollution liability insurance EVET approval of contractor | <ul style="list-style-type: none"> • Std T&C 450 • Fact Sheet Series 17000 • Std T&C 660-3 • Approved Environmental Vendor List (Contact E/S Management) |
| Maintenance/operations work which may produce a waste Other maintenance work | Compliance with all application local, state, & federal laws and regulations Protection of BST employees and equipment | <ul style="list-style-type: none"> • Std T&C 450 • 29CFR 1910.147 (OSHA Standard) • 29CFR 1910 Subpart O (OSHA Standard) |
| Janitorial services | All waste removal and disposal | <ul style="list-style-type: none"> • P&SM Manager - |

| | | |
|---|---|---|
| | <p>must conform to all applicable federal, state and local regulations</p> <p>All Hazardous Material and Waste</p> <p>Asbestos notification and protection of employees and equipment</p> | <p>Procurement</p> <ul style="list-style-type: none"> • Fact Sheet Series 17000 • GU-BTEN-001BT, Chapter 3 • BSP 010-170-001BS (Hazcom) |
| Manhole cleaning | <p>Compliance with all applicable local, state, & federal laws and regulations</p> <p>Pollution liability insurance</p> <p>EVET approval of contractor</p> | <ul style="list-style-type: none"> • Std T&C 450 • Fact Sheet 14050 • BSP 620-145-011PR Issue A, August 1996 • Std T&C 660-3 • Approved Environmental Vendor List (Contact E/S Management) |
| Removing or disturbing building materials that may contain asbestos | Asbestos work practices | <ul style="list-style-type: none"> • GU-BTEN-001BT, Chapter 3 |

3. DEFINITIONS

Generator. Under RCRA, the person whose act produces a Hazardous Waste, as defined in 40 CFR 261, or whose act first causes a Hazardous Waste to become subject to regulation. The Generator is legally responsible for the proper management and disposal of Hazardous Wastes in accordance with regulations.

Hazardous Chemical. As defined in the U.S. Occupational Safety and Health (OSHA) hazard communication standard (29 CFR 1910.1200), any chemical which is a health hazard or physical hazard.

Hazardous Waste. As defined in section 1004 of RCRA.

Imminent Danger. Any conditions or practices at a facility which are such that a danger exists which could reasonably be expected to cause immediate death or serious harm to people or immediate significant damage to the environment or natural resources.

Spill or Release. As defined in Section 101 of CERCLA.

4. ACRONYMS

E/S – Environmental/Safety

EVET - Environmental Vendor Evaluation Team

DEC/LDEC - Department Environmental Coordinator/Local Department Environmental Coordinator

GU-BTEN-001BT - BellSouth Environmental Methods and Procedures

NESC - National Electrical Safety Codes

P&SM - Property & Services Management

Std. T&C - Standard Terms & Conditions

Attachment 5
Access to Numbers and Number Portability

TABLE OF CONTENTS

1. Non-Discriminatory Access To Telephone Numbers3

2. Number Portability Permanent Solution3

3. Service Provider Number Portability4

4. SPNP Implementation.....4

5. Transition To Permanent Number Portability7

6. True-Up7

7. Operational Support System (OSS) Rates8

Rates.....Exhibit A

ACCESS TO NUMBERS AND NUMBER PORTABILITY

1. Non-Discriminatory Access to Telephone Numbers

All the negotiated rates, terms and conditions set forth in this Attachment pertain to the provisioning of local number portability.

- 1.1 During the term of this Agreement, Accutel shall contact the North American Numbering Plan Administrator, Neustar, for the assignment of numbering resources. In order to be assigned a Central Office Code, Accutel will be required to complete the Central Office Code (NXX) Assignment Request and Confirmation Form (Code Request Form) in accordance with Industry Numbering Committee's Central Office Code (NXX) Assignment Guidelines (INC 95-0407-008).
- 1.2 For the purposes of the resale of BellSouth's telecommunications services by Accutel, BellSouth will provide Accutel with on line access to telephone numbers for reservation on a first come first served basis. Such reservations of telephone numbers, on a pre-ordering basis shall be for a period of ninety (90) days. Accutel acknowledges that there may be instances where there is a shortage of telephone numbers in a particular CLLIC and in such instances BellSouth may request that Accutel cancel its reservations of numbers. Accutel shall comply with such request.
- 1.3 Further, upon Accutel request and for the purposes of the resale of BellSouth's telecommunications services by Accutel, BellSouth will reserve up to 100 telephone numbers per Common Language Location Identifier Code (CLLIC), for Accutel's sole use. Such telephone number reservations shall be transmitted to Accutel via electronic file transfer. Such reservations shall be valid for ninety (90) days from the reservation date. Accutel acknowledges that there may be instances where there is a shortage of telephone numbers in a particular CLLIC and in such instances BellSouth shall use its best efforts to reserve for a ninety (90) day period a sufficient quantity for Accutel's reasonable need in that particular CLLIC.

2. Number Portability Permanent Solution

- 2.1 The FCC, the Commissions, and industry forums have developed and BellSouth is implementing a permanent approach to providing service provider number portability. Both Parties will implement a permanent approach as developed and approved by the Commission, the FCC and industry forums. Consistent with the requirements to move to Permanent Number Portability (PNP) as set forth in Section 5 of this Attachment, Interim Service Provider Number Portability (SPNP) may be available only until such permanent solution is implemented in an end office.
- 2.2 End User Line Charge. Recovery of charges associated with implementing PNP through a monthly charge assessed to end users has been authorized by the FCC. This end user line charge will be as filed in FCC No. 1 and will be billed to Accutel where

Accutel is a subscriber to local switching or where Accutel is a reseller of BellSouth telecommunications services. This charge will not be discounted.

3. Service Provider Number Portability

3.1 Definition. Until the industry-wide permanent solution is implemented in an end office, BellSouth shall provide Service Provider Number Portability (“SPNP”). SPNP is an interim service arrangement whereby an end user who switches subscription of his local exchange service from BellSouth to a CLEC, or vice versa, is permitted to retain the use of his existing assigned telephone number, provided that the end user remains at the same location for his local exchange service or changes locations and service providers but stays within the same serving wire center of his existing number.

3.2 Methods of Providing Number Portability. SPNP is available through either remote call forwarding or direct inward dialing trunks, at the election of Accutel. Remote call forwarding (SPNP-RCF) is an existing switch-based BellSouth service that redirects calls within the telephone network. Direct inward dialing trunks (SPNP-DID) allow calls to be routed over a dedicated facility to the Accutel switch that serves the subscriber.

3.3 Signaling Requirements. SS7 Signaling is required for the provision of SPNP services. SPNP-DID is available from BellSouth on a per DS0, DS1, or DS3 basis. Where SPNP-DID is technically feasible and is provided on a DS1 or a DS3 basis, the applicable channelization rates are those specified in Section E6 in BellSouth’s Intrastate Access Tariffs, incorporated herein by this reference. SPNP is available only for basic local exchange service.

3.4 Rates

Rates for SPNP are set out in Exhibit A to this Attachment. If no rate is identified in the Attachment, the rate for the specific service or function will be as set forth in applicable BellSouth tariff or as negotiated by the Parties upon request by either Party.

4. SPNP Implementation

4.1 SPNP is available only where a CLEC or BellSouth is currently providing, or will begin providing concurrent with provision of SPNP, basic local exchange service to the affected end user. SPNP for a particular telephone number is available only from the central office originally providing local exchange service to the end user. SPNP for a particular assigned telephone number will be disconnected when any end user, Commission, BellSouth, or CLEC initiated activity (*e.g.*, a change in exchange boundaries) would normally result in a telephone number change had the end user retained his initial local exchange service.

- 4.2 SPNP-RCF, as contemplated by this Agreement, is a telecommunications service whereby a call dialed to an SPNP-RCF equipped telephone number is automatically forwarded to an assigned seven- or ten- digit telephone number within the local calling area as defined in BellSouth's General Subscriber Services Tariff. The forwarded-to number shall be specified by the CLEC or BellSouth, as appropriate. The forwarding Party will provide identification of the originating telephone number, via SS7 signaling, to the receiving Party. Identification of the originating telephone number to the SPNP-RCF end user cannot be guaranteed, however. SPNP-RCF provides a single call path for the forwarding of no more than one simultaneous call to the receiving Party's specified forwarded-to number.
- 4.3 SPNP-DID service, as contemplated by this Agreement, provides trunk side access to end office switches for direct inward dialing to the other Party's premises equipment from the telecommunications network to lines associated with the other Party's switching equipment and must be provided on all trunks in a group arranged for inward service. A SPNP-DID trunk termination charge, provided with SS7 Signaling only, applies for each trunk voice grade equivalent. In addition, direct facilities are required from the end office where a ported number resides to the end office serving the ported end user customer. The rates for a switched local channel and switched dedicated transport apply as contained in BellSouth's Intrastate Access Services tariff, as said tariff is amended from time to time. Transport mileage will be calculated as the airline distance between the end office where the number is ported and the Point of Interface ("POI") using the V&H coordinate method. SPNP-DID must be established with a minimum configuration of two channels and one unassigned telephone number per switch, per arrangement for control purposes. Transport facilities arranged for SPNP-DID may not be mixed with any other type of trunk group, with no outgoing calls placed over said facilities. SPNP-DID will be provided only where such facilities are available and where the switching equipment of the ordering Party is properly equipped. Where SPNP-DID service is required from more than one wire center or from separate trunk groups within the same wire center, such service provided from each wire center or each trunk group within the same wire center shall be considered a separate service. Only customer-dialed sent-paid calls will be completed to the first number of a SPNP-DID number group; however, there are no restrictions on calls completed to other numbers of a SPNP-DID number group. Sent-paid calls refer to those calls placed by an end user who physically deposits currency in a public telephone. Interface group arrangements provided for terminating the switched transport at the Party's terminal location are as set forth in of BellSouth's Intrastate Access Services Tariff, § E6.1.3.A as amended from time to time.
- 4.3.1 SPNP-DID Service requires ordering consecutive telephone numbers in blocks of twenty. To order non-consecutive telephone numbers or telephone numbers in less than blocks of twenty, the NBR process must be used. SS7 Signaling is required for the provision of either of these services.

- 4.4 The calling Party shall be responsible for payment of the applicable charges for sent-paid calls to the SPNP number. For collect, third-party, or other operator-assisted non-sent paid calls to the ported telephone number, BellSouth or the CLEC shall be responsible for the payment of charges under the same terms and conditions for which the end user would have been liable for those charges. Either Party may request that the other block collect and third party non-sent paid calls to the SPNP-assigned telephone number. If a Party does not request blocking, the other Party will provide itemized local usage detail for the billing of non-sent paid calls on the monthly bill of usage charges provided at the individual end user account level. The detail will include itemization of all billable usage. Each Party shall have the option of receiving this usage data on a daily basis via a data file transfer arrangement. This arrangement will utilize the existing industry uniform standard, known as EMR standards, for exchange of billing data. Files of usage data will be created daily for the optional service. Usage originated and recorded in the sending BellSouth RAO will be provided in unrated or rated format, depending on processing system. CLEC usage originated elsewhere and delivered via CMDS to the sending BellSouth RAO shall be provided in rated format.
- 4.5 Each Party shall be responsible for obtaining authorization from the end user for the handling of the disconnection of the end user's service, the provision of new local service and the provision of SPNP services. Each Party shall be responsible for coordinating the provision of service with the other to assure that its switch is capable of accepting SPNP ported traffic. Each Party shall be responsible for providing equipment and facilities that are compatible with the other's service parameters, interfaces, equipment and facilities and shall be required to provide sufficient terminating facilities and services at the terminating end of an SPNP call to adequately handle all traffic to that location and shall be solely responsible to ensure that its facilities, equipment and services do not interfere with or impair any facility, equipment, or service of the other Party or any of its end users. In the event that either Party determines in its reasonable judgment that the other Party will likely impair or is impairing, or interfering with any equipment, facility or service or any of its end users, that Party may either refuse to provide SPNP service or may terminate SPNP service to the other Party after providing appropriate notice.
- 4.6 Each Party shall be responsible for providing an appropriate intercept announcement service for any telephone numbers subscribed to SPNP services for which it is not presently providing local exchange service or terminating to an end user. Where either Party chooses to disconnect or terminate any SPNP service, that Party shall be responsible for designating the preferred standard type of announcement to be provided.
- 4.7 Each Party shall be the other Party's single point of contact for all repair calls on behalf of each Party's end user. Each Party reserves the right to contact the other Party's customers if deemed necessary for maintenance purposes.

- 4.8 Neither Party shall be responsible for adverse effects on any service, facility or equipment from the use of SPNP services. End-to-end transmission characteristics may vary depending on the distance and routing necessary to complete calls over SPNP facilities and the fact that another carrier is involved in the provisioning of service. Therefore, end-to-end transmission characteristics cannot be specified by either Party for such calls. Neither Party shall be responsible to the other if any necessary change in protection criteria or in any of the facilities, operation, or procedures of either renders any facilities provided by the other Party obsolete or renders necessary modification of the other Party's equipment.
- 4.9 For terminating IXC traffic ported to either Party which requires use of either Party's tandem switching, the tandem provider will bill the IXC tandem switching, the interconnection charge, and a portion of the transport, and the other Party will bill the IXC local switching, the carrier common line and a portion of the transport. If the tandem provider is unable to provide the necessary access records to permit the other Party to bill the IXC directly for terminating access to ported numbers, then the tandem provider will bill the IXC full terminating switched access charges at the tandem provider's rate and will compensate the other Party at the tandem Party's tariff rates via a process used by BellSouth to estimate the amount of ported switched access revenues due the other Party. If an intraLATA toll call is delivered, the delivering Party will pay terminating access rates to the other Party. This subsection does not apply in cases where SPNP-DID is utilized for number portability.

5. Transition to Permanent Number Portability

- 5.1 Once a PNP is implemented in an end office both Parties must withdraw their SPNP offerings. The transition from existing SPNP arrangements to PNP shall occur within one hundred twenty (120) days from the date PNP is implemented in the end office. Neither Party shall charge the other Party for conversion from SPNP to PNP. The Parties shall comply with any SPNP/PNP transition processes established by the FCC and State commissions and appropriate industry number portability work groups.
- 5.2 Notwithstanding the foregoing, the Parties acknowledge that the FCC has determined once LNP has been deployed pursuant to the FCC's orders, rules and regulations, that all local exchange carriers (LECs) have the duty to provide LNP. Therefore, either Party, at any time, may seek appropriate legal or regulatory relief concerning the transition from INP to LNP or other related issues.

6. True-up

This section applies only to North Carolina and Tennessee and other rates that are interim or expressly subject to true-up under this attachment.

- 6.1 The interim prices for Network Elements and Other Services and Local Interconnection shall be subject to true-up according to the following procedures:

The interim prices shall be true-up, either up or down, based on final prices determined either by further agreement between the Parties, or by a final order (including any appeals) of the Commission which final order meets the criteria of (3) below. The Parties shall implement the true-up by comparing the actual volumes and demand for each item, together with interim prices for each item, with the final prices determined for each item. Each Party shall keep its own records upon which the true-up can be based, and any final payment from one Party to the other shall be in an amount agreed upon by the Parties based on such records. In the event of any disagreement as between the records or the Parties regarding the amount of such true-up, the Parties agree that the body having jurisdiction over the matter shall be called upon to resolve such differences, or the Parties may mutually agree to submit the matter to the Dispute Resolution process in accordance with the provisions in the General Terms and Conditions and Attachment 1 of this Agreement.

6.2 The Parties may continue to negotiate toward final prices, but in the event that no such agreement is reached within nine (9) months, either Party may petition the Commission to resolve such disputes and to determine final prices for each item. Alternatively, upon mutual agreement, the Parties may submit the matter to the Dispute Resolution Process set forth in the General Terms and Conditions and Attachment 1 of the Agreement incorporated herein by reference, so long as they file the resulting Agreement with the Commission as a “negotiated Agreement” under Section 252(e) of the Act.

6.3 A final order of this Commission that forms the basis of a true-up shall be the final order as to prices based on appropriate cost studies, or potentially may be a final order in any other Commission proceeding which meets the following criteria:

- (a) BellSouth and CLEC is entitled to be a full Party to the proceeding;
- (b) It shall apply the provisions of the federal Telecommunications Act of 1996, including but not limited to Section 252(d)(1) (which contains pricing standards) and all then-effective implementing rules and regulations; and,
- (c) It shall include as an issue the geographic deaveraging of network element prices, which deaveraged prices, if any are required by said final order, shall form the basis of any true-up.

7. **Operational Support System (OSS) Rates**

BellSouth has developed and made available the following mechanized systems by which Accutel may submit LSRs electronically.

| | |
|------|----------------------------------|
| LENS | Local Exchange Navigation System |
| EDI | Electronic Data Interchange |

| | |
|-----|-----------------------------------|
| TAG | Telecommunications Access Gateway |
|-----|-----------------------------------|

LSRs submitted by means of one of these interactive interfaces will incur an OSS electronic ordering charge as specified in the table below. An individual LSR will be

identified for billing purposes by its Purchase Order Number (PON). LSRs submitted by means other than one of these interactive interfaces (mail, fax, courier, etc.) will incur a manual order charge as specified in the table below:

| OPERATIONAL SUPPORT SYSTEMS | AL, GA, LA, MS, SC | FL, KY, NC, TN |
|---|-----------------------------|-----------------------|
| OSS LSR charge, per LSR received from the CLEC by one of the OSS interactive interfaces | \$3.50 | \$3.50 |
| | SOMECH | SOMECH |
| Incremental charge per LSR received from the CLEC by means other than one of the OSS interactive interfaces | See applicable rate element | \$19.99 |
| | | SOMAN |

Note: In addition to the OSS charges, applicable discounted service order and related discounted charges apply per the tariff.

Denial/Restoral OSS Charge

In the event Accutel provides a list of customers to be denied and restored, rather than an LSR, each location on the list will require a separate PON and, therefore will be billed as one LSR per location.

Cancellation OSS Charge

Accutel will incur an OSS charge for an accepted LSR that is later canceled by Accutel.

Note: Supplements or clarifications to a previously billed LSR will not incur another OSS charge.

Network Elements and Other Services Manual Additive

The Commissions in Alabama, Georgia, Louisiana, Mississippi and South Carolina have ordered incremental manual non-recurring charges (NRC) for network elements and other services ordered by means other than one of the interactive interfaces. These ordered network elements and other services manual additive NRCs will apply in these states, rather than the charge per LSR.

Threshold Billing Plan

The Parties agree that Accutel will incur the mechanized rate for all LSRs, both mechanized and manual, if the percentage of mechanized LSRs to total LSRs meets or exceeds the threshold percentages shown below:

| Year | Ratio: Mechanized/Total LSRs |
|------|------------------------------|
| 2000 | 80% |
| 2001 | 90% |

The threshold plan will be discontinued in 2002.

BellSouth will track the total LSR volume for each CLEC for each quarter. At the end of that time period, a Percent Electronic LSR calculation will be made for that quarter based on the LSR data tracked in the LCSC. If this percentage exceeds the threshold volume, all of that CLECs'

future manual LSRs will be billed at the mechanized LSR rate. To allow time for obtaining and analyzing the data and updating the billing system, this billing change will take place on the first day of the second month following the end of the quarter (e.g. May 1 for 1Q, Aug 1 for 2Q, etc.). There will be no adjustments to the amount billed for previously billed LSRs.

BELLSOUTH/Accutel RATES
SERVICE PROVIDER
NUMBER PORTABILITY

| DESCRIPTION | USOC | RATES BY STATE | | | | | | | | |
|---|---------------------------------|----------------|----|----------|----|----------|----------|----------|----------|---------|
| | | AL | FL | GA | KY | LA | MS | NC | SC | TN |
| INTERIM SERVICE PROVIDER NUMBER PORTABILITY - RCF (1) (2) | | | | | | | | | | |
| RCF, per number ported (Business Line), 10 paths | TNPBL | NA | NA | NA | NA | NA | NA | \$2.25 | NA | NA |
| RCF, per number ported (Residence Line), 6 paths | TNPRL | NA | NA | NA | NA | NA | NA | \$1.15 | NA | NA |
| RCF, per number ported (Business Line) | TNPBL | \$2.13 | NA | \$2.03 | NA | \$2.29 | \$2.34 | \$1.66 | \$2.17 | \$1.50 |
| NRC - Electronic | TNPBL | \$0.65 | NA | \$0.51 | NA | \$0.49 | \$0.6441 | \$0.71 | \$0.7046 | NA |
| NRC - Disconnect Charge | TNPBL | \$0.07 | NA | NA | NA | \$0.05 | \$0.0644 | \$0.50 | NA | NA |
| RCF, per number ported (Residence Line) | TNPRL | \$2.13 | NA | \$2.03 | NA | \$2.29 | \$2.34 | \$1.66 | \$2.17 | \$1.25 |
| NRC | TNPRL | \$0.65 | NA | \$0.51 | NA | \$0.49 | \$0.6441 | \$0.71 | \$0.7046 | NA |
| NRC - Disconnect Charge | TNPRL | \$0.07 | NA | NA | NA | \$0.05 | \$0.0644 | \$0.50 | NA | NA |
| RCF, add'l capacity for simultaneous call forwarding, per additional path | N/A | \$0.32 | NA | \$0.2836 | NA | \$0.38 | \$0.3838 | \$0.32 | \$0.3854 | \$0.50 |
| RCF, per service order, per location | (++) Bus = TNPBD Res = TNPRD | | | | | | | | | |
| NRC - 1st | TNP++ | \$1.44 | NA | \$2.10 | NA | \$2.02 | \$2.84 | \$2.73 | \$1.37 | \$25.00 |
| NRC - Add'l | TNP++ | \$1.44 | NA | \$2.10 | NA | \$2.02 | \$2.84 | \$2.73 | \$1.37 | \$25.00 |
| NRC - Disconnect - 1st | TNP++ | \$1.44 | NA | NA | NA | \$2.01 | \$2.84 | NA | NA | NA |
| NRC - Disconnect - Add'l | TNP++ | \$1.44 | NA | NA | NA | \$2.01 | \$2.84 | NA | NA | NA |
| NRC - Incremental Charge - Manual Service Order - 1st | SOMAN | \$27.37 | NA | NA | NA | \$18.14 | \$25.52 | \$45.80 | NA | NA |
| NRC - Incremental Charge - Manual Service Order - Add'l | SOMAN | \$27.37 | NA | NA | NA | \$18.14 | \$25.52 | \$45.80 | NA | NA |
| NRC - Incremental Charge - Manual Service Order - Disconnect - 1st | SOMAN | \$17.77 | NA | NA | NA | \$11.41 | \$16.06 | NA | \$44.70 | NA |
| NRC - Incremental Charge - Manual Service Order - Disconnect - Add'l | SOMAN | \$17.77 | NA | NA | NA | \$11.41 | \$16.06 | NA | \$44.70 | NA |
| INTERIM SERVICE PROVIDER NUMBER PORTABILITY - DID | | | | | | | | | | |
| DID per number ported, Residence - NRC | TNPDR | \$1.18 | NA | \$0.93 | NA | \$0.89 | \$1.17 | \$2.25 | \$2.25 | NA |
| DID per number ported, Residence - NRC - Disconnect | TNPDR | \$1.18 | NA | NA | NA | \$0.90 | \$1.17 | NA | NA | NA |
| DID per number ported, Business - NRC | TNPDB | \$1.18 | NA | \$0.93 | NA | \$0.89 | \$1.17 | \$2.25 | \$2.25 | NA |
| DID per number ported, Business - NRC - Disconnect | TNPDB | \$1.18 | NA | NA | NA | \$0.90 | \$1.17 | NA | NA | NA |
| DID per service order, per location | | | | | | | | | | |
| NRC - 1st | TNPRD | \$1.44 | NA | \$2.10 | NA | \$2.02 | \$2.84 | \$2.73 | \$1.37 | NA |
| NRC - Add'l | TNPRD | \$1.44 | NA | \$2.10 | NA | \$2.02 | \$2.84 | \$2.73 | \$1.37 | NA |
| NRC - Disconnect - 1st | TNPRD | \$1.44 | NA | NA | NA | \$2.01 | \$2.84 | NA | \$44.70 | NA |
| NRC - Disconnect - Add'l | TNPRD | \$1.44 | NA | NA | NA | \$2.01 | \$2.84 | NA | \$44.70 | NA |
| NRC - Incremental Charge - Manual Service Order - 1st | SOMAN | \$27.37 | NA | \$18.94 | NA | \$18.14 | \$25.52 | \$45.80 | NA | NA |
| NRC - Incremental Charge - Manual Service Order - Add'l | SOMAN | \$27.37 | NA | NA | NA | \$18.14 | \$25.52 | \$45.80 | NA | NA |
| NRC - Incremental Charge - Manual Service Order - Disconnect - 1st | SOMAN | \$17.77 | NA | NA | NA | \$11.41 | \$16.06 | NA | NA | NA |
| NRC - Incremental Charge - Manual Service Order - Disconnect - Add'l | SOMAN | \$17.77 | NA | NA | NA | \$11.41 | \$16.06 | NA | NA | NA |
| DID, per trunk termination, Initial | TNPT2 | \$11.84 | NA | \$10.73 | NA | \$12.46 | \$13.78 | \$11.43 | \$13.16 | NA |
| DID, per trunk termination, Initial - NRC | TNPT2 | \$173.73 | NA | \$135.47 | NA | \$129.69 | \$171.68 | \$217.88 | \$218.03 | NA |
| DID, per trunk termination, Initial - Disconnect | TNPT2 | \$50.43 | NA | NA | NA | \$37.85 | \$49.86 | NA | NA | NA |
| DID, per trunk termination, Subsequent | TNPT2 | \$11.84 | NA | \$10.73 | NA | \$12.46 | \$13.78 | \$11.43 | \$13.16 | NA |
| DID, per trunk termination, Subsequent - NRC | TNPT2 | \$51.35 | NA | \$39.53 | NA | \$37.85 | \$50.69 | \$73.56 | \$73.63 | NA |
| DID, per trunk termination, Subsequent - Disconnect | TNPT2 | \$25.00 | NA | NA | NA | \$18.75 | \$24.71 | NA | NA | NA |

NOTES:

If no rate is identified in the contract, the rate for the specific service or function will be as set forth in applicable BellSouth tariff or as negotiated by the Parties upon request by either Party.

1 Until the FCC issues its order implementing a cost recovery mechanism for permanent number portability, the Company will track its costs of providing interim SPNP with sufficient detail to verify the costs. This will facilitate the Florida PSC's consideration of the recovery of these costs in Docket 950737-TP. (FL)

2 BellSouth and CLEC will each bear their own costs of providing remote call forwarding as an interim number portability option. (KY)

Attachment 6
Ordering and Provisioning

TABLE OF CONTENTS

1. Quality of Ordering And Provisioning.....3

2. Access To Operational Support Systems3

3. Miscellaneous Ordering And Provisioning Guidelines.....5

ORDERING AND PROVISIONING

1. Quality of Ordering and Provisioning

- 1.1 All the negotiated terms and conditions set forth in this Attachment pertain to ordering and provisioning.
- 1.2 BellSouth shall provide ordering and provisioning services to Accutel that are equal to the ordering and provisioning services BellSouth provides to itself or any other CLEC, where technically feasible. The guidelines for ordering and provisioning are set forth in BellSouth Ordering Guide for CLECs, the BellSouth Guide to Interconnection, and the Electronic Business Rules for Local Ordering and the Local Exchange Ordering Implementation Guide, as appropriate, and as they are amended from time to time during this Agreement. The guides may be referenced at the following site: http://www.interconnection.bellsouth.com/guides/guides_p.html.
- 1.3 BellSouth shall provide all ordering and provisioning services to Accutel during the same business hours of operation that BellSouth provisions service to its affiliates or end users. Ordering and provisioning support required by Accutel outside of these hours will be considered outside of normal business hours and will be subject to overtime billing.
- 1.4 All other Accutel requests for provisioning and installation services are considered outside of the normal hours of operation and may be performed subject to the application of overtime billing charges.

2. Access to Operations Support Systems

- 2.1 BellSouth shall provide Accutel access to operations support systems (“OSS”) functions for pre-ordering, ordering and provisioning, maintenance and repair and billing. Access to the OSS is available through a variety of means, including electronic interfaces. BellSouth also provides manual options. The OSS functions available to CLECs through electronic interfaces are:
- 2.2 Pre-Ordering. BellSouth provides electronic access to the following pre-ordering functions: service address validation, telephone number selection, service and feature availability, due date information, and upon Commission approval of confidentiality protections, to customer record information. Access is provided through the Local Exchange Navigation System (LENS) interface the Telecommunications Access Gateway (TAG) interface. Customer record information includes Customer Record Information includes but is not limited to, customer specific information in CRIS and RSAG. In addition, Accutel shall provide to BellSouth access to customer record information including electronic access where available. Otherwise, Accutel shall

- provide paper copies of customer record information within a reasonable period of time upon request by BellSouth. The parties agree not to view, copy, or otherwise obtain access to the customer record information of any customer without that customer's permission and further agrees that Accutel and BellSouth will obtain access to customer record information only in strict compliance with applicable laws, rules, or regulations of the State in which the service is provided.
- 2.3 Service Ordering and Provisioning. BellSouth provides electronic options for the exchange of ordering and provisioning information. BellSouth provides an Electronic Data Interchange (EDI) interface, the TAG ordering interface for non-complex and certain complex resale requests and certain network elements. The EDI interface can be integrated with the TAG pre-ordering interface by Accutel or the TAG ordering interface. BellSouth provides integrated pre-ordering, ordering and provisioning capability through the LENS interface for non-complex and certain complex resale service requests.
- 2.4 Service Trouble Reporting and Repair. Service trouble reporting and repair allows Accutel to report and monitor service troubles and obtain repair services. BellSouth shall offer Accutel service trouble reporting in a non-discriminatory manner that provides Accutel the equivalent ability to report and monitor service troubles that BellSouth provides to itself. BellSouth also provides Accutel an estimated time to repair, an appointment time or a commitment time, as appropriate, on trouble reports. BellSouth provides several options for electronic trouble reporting. For exchange services, BellSouth offers Accutel non-discriminatory access to the Trouble Analysis Facilitation Interface (TAFI). In addition, BellSouth offers an industry standard, machine-to-machine Electronic Communications Trouble Administration (ECTA) Gateway interface. For designed services, BellSouth provides non-discriminatory trouble reporting ECTA Gateway. BellSouth also offers ECTA functionality through the human-to-machine EC-CPM/TA interface. If the CLEC requests BellSouth to repair a trouble after normal working hours, the CLEC will be billed the appropriate overtime charges associated with this request pursuant to BellSouth's tariffs.
- 2.5 Change Management. BellSouth provides a collaborative process for change management of the electronic interfaces through the Electronic Interface Change Control Process ("EICCP). Guidelines for this process are set forth in the EICCP document, and as it is amended from time to time during this agreement.
- 2.6 Migration of Accutel to New Software Releases for National Standard Machine-to-Machine Electronic Interfaces. Pursuant to the change management process, BellSouth will issue new software releases for new industry standards for its industry standard, machine-to-machine electronic interfaces. When a new release of new industry standards is implemented, BellSouth will continue to support both the new release (N) and the prior release (N-1). When BellSouth makes the next release (N+1), BellSouth will eliminate support for the (N-1) release and support the two newest releases (N and N+1). Thus, BellSouth will always support the two most current releases. BellSouth will issue documents to Accutel with sufficient notice to

allow Accutel to make the necessary changes to their systems and operations to migrate to the newest release in a timely fashion.

- 2.7 Rates. All costs incurred by BellSouth to develop and implement operational interfaces to the OSS shall be recovered from the carriers that use the services. Charge for use of OSS shall be as set forth in Attachments 1 and 2 of this Agreement.

3. Miscellaneous Ordering and Provisioning Guidelines

- 3.1 Pending Orders. To ensure the most efficient use of facilities and resources, orders placed in the hold or pending status by Accutel will be held for a maximum of thirty (30) days from the date the order is placed on hold. After such time, if Accutel wishes to reinstate an order, Accutel may be required to submit a new service order.
- 3.2 Single Point of Contact. Accutel will be the single point of contact with BellSouth for ordering activity for network elements and other services used by Accutel to provide services to its end users, except that BellSouth may accept an order directly from another CLEC, or BellSouth, acting with authorization of the affected end user. Accutel and BellSouth shall each execute a blanket letter of authorization with respect to customer orders. The Parties shall each be entitled to adopt their own internal processes for verification of customer authorization for orders, provided, however, that such processes shall comply with applicable state and federal law including, until superseded, the FCC guidelines and orders applicable to Presubscribed Interexchange Carrier (PIC) changes including Un-PIC. Pursuant to such an order, BellSouth may disconnect any network element associated with the service to be disconnected and being used by Accutel to provide service to that end user and reuse such network elements or facilities to enable such other LEC to provide service to the end user. BellSouth will notify Accutel that such an order has been processed, but will not be required to notify Accutel in advance of such processing.
- 3.3 Use of Facilities. When a customer of a CLEC elects to discontinue service and transfer service to another local exchange carrier, including BellSouth, BellSouth shall have the right to reuse the facilities provided to CLEC by BellSouth for retail or resale service, loop and/or port for that customer. In addition, BellSouth may disconnect and reuse facilities when the facility is in a denied state and BellSouth has received an order to establish new service or transfer of service from a customer or a customer's CLEC at the same address served by the denied facility.
- 3.3.1 Upon receipt of a service order, BellSouth will do the following:
- 3.3.1.1 Process disconnect and reconnect orders to provision the service which shall be due dated using current interval guidelines.
- 3.3.1.2 Reuse the serving facility for the retail, resale service, or network element at the same location.

- 3.3.1.3 Notify Accutel after the disconnect order has been completed.
- 3.4 Contact Numbers. The Parties agree to provide one another with toll-free contact numbers for the purpose of ordering, provisioning and maintenance of services.
- 3.5 Subscription Functions. In cases where BellSouth performs subscription functions for an inter-exchange carrier (i.e. PIC and LPIC changes via Customer Account Record Exchange (CARE)), BellSouth will provide the affected inter-exchange carriers with the Operating Company Number (OCN) of the local provider for the purpose of obtaining end user billing account and other end user information required under subscription requirements.
- 3.6 Cancellation Charges. If Accutel cancels an order for network elements or other services, any costs incurred by BellSouth in conjunction with the provisioning of that order will be recovered in accordance with FCC No. 1 Tariff, Section 5.4.

Attachment 7
Billing and Billing Accuracy Certification

TABLE OF CONTENTS

1. Payment and Billing Arrangements3

2. Billing Accuracy Certification.....5

3. Billing Disputes.....6

4. RAO Hosting.....7

5. Optional Daily Usage File10

6. Access Daily Usage File.....13

7. Enhanced Optional Daily Usage File.....16

Rates.....Exhibit A

BILLING AND BILLING ACCURACY CERTIFICATION

1. Payment and Billing Arrangements

All negotiated rates, terms and conditions set forth in this Attachment pertain to billing and billing accuracy certifications.

- 1.1 Billing. BellSouth agrees to provide billing through the Carrier Access Billing System (CABS) and through the Customer Records Information System (CRIS) depending on the particular service(s) that Accutel requests. BellSouth will bill and record in accordance with this Agreement those charges Accutel incurs as a result of Accutel purchasing from BellSouth Network Elements and Other Services as set forth in this Agreement. BellSouth will format all bills in CBOS Standard or CLUB/EDI format, depending on the type of service ordered. For those services where standards have not yet been developed, BellSouth's billing format will change as necessary when standards are finalized by the industry forum.
- 1.1.1 For any service(s) BellSouth orders from Accutel, Accutel shall bill BellSouth in CABS format.
- 1.1.2 If either Party requests multiple billing media or additional copies of bills, the Billing Party will provide these at a reasonable cost.
- 1.2 Master Account. After receiving certification as a local exchange company from the appropriate regulatory agency, Accutel will provide the appropriate BellSouth account manager the necessary documentation to enable BellSouth to establish a master account for Local Interconnection, Network Elements and Other Services, and/or resold services. Such documentation shall include the Application for Master Account, proof of authority to provide telecommunications services, an Operating Company Number ("OCN") assigned by the National Exchange Carriers Association ("NECA"), Carrier Identification Code (CIC), Group Access Code (GAC), Access Customer Name and Address (ACNA) and a tax exemption certificate, if applicable.
- 1.3 Payment Responsibility. Payment of all charges will be the responsibility of Accutel. Accutel shall make payment to BellSouth for all services billed. BellSouth is not responsible for payments not received by Accutel from Accutel's customer. BellSouth will not become involved in billing disputes that may arise between Accutel and Accutel's customer. Payments made to BellSouth as payment on account will be credited to an accounts receivable master account and not to an end user's account.
- 1.4 Payment Due. The payment will be due on or before the next bill date (i.e., same date in the following month as the bill date) and is payable in immediately available funds. Payment is considered to have been made when received by BellSouth.

If the payment due date falls on a Sunday or on a Holiday which is observed on a Monday, the payment due date shall be the first non-Holiday day following such

Sunday or Holiday. If the payment due date falls on a Saturday or on a Holiday which is observed on Tuesday, Wednesday, Thursday, or Friday, the payment due date shall be the last non-Holiday day preceding such Saturday or Holiday. If payment is not received by the payment due date, a late payment penalty, as set forth in Section 1.7, below, shall apply.

- 1.5 Tax Exemption. Upon proof of tax exempt certification from Accutel, the total amount billed to Accutel will not include those taxes or fees for which the CLEC is exempt. Accutel will be solely responsible for the computation, tracking, reporting and payment of all taxes and like fees associated with the services provided to the end user of Accutel.
- 1.6 Late Payment. If any portion of the payment is received by BellSouth after the payment due date as set forth preceding, or if any portion of the payment is received by BellSouth in funds that are not immediately available to BellSouth, then a late payment penalty shall be due to BellSouth. The late payment penalty shall be the portion of the payment not received by the payment due date times a late factor and will be applied on a per bill basis. The late factor shall be as set forth in Section A2 of the General Subscriber Services Tariff, Section B2 of the Private Line Service Tariff or Section E2 of the Intrastate Access Tariff, whichever BellSouth determines is appropriate. Accutel will be charged a fee for all returned checks as set forth in Section A2 of the General Subscriber Services Tariff or pursuant to the applicable state law.
- 1.7 Discontinuing Service to Accutel. The procedures for discontinuing service to Accutel are as follows:
 - 1.7.1 BellSouth reserves the right to suspend or terminate service for nonpayment of services or in the event of prohibited, unlawful or improper use of BellSouth facilities or service or any other violation or noncompliance by Accutel of the rules and regulations contained in BellSouth's tariffs.
 - 1.7.2 If payment of account is not received by the bill date in the month after the original bill date, BellSouth may provide written notice to Accutel that additional applications for service will be refused and that any pending orders for service will not be completed if payment is not received by the fifteenth day following the date of the notice. In addition, BellSouth may, at the same time, give thirty (30)days notice to Accutel at the billing address to discontinue the provision of existing services to Accutel at any time thereafter.
 - 1.7.3 In the case of such discontinuance, all billed charges, as well as applicable termination charges, shall become due.
 - 1.7.4 If BellSouth does not discontinue the provision of the services involved on the date specified in the thirty days notice and Accutel's noncompliance continues, nothing

contained herein shall preclude BellSouth's right to discontinue the provision of the services to Accutel without further notice.

- 1.7.5 If payment is not received or satisfactory arrangements made for payment by the date given in the written notification, Accutel's services will be discontinued. Upon discontinuance of service on Accutel's account, service to the Accutel's end users will be denied. BellSouth will reestablish service at the request of the end user or Accutel for BellSouth to reestablish service upon payment of the appropriate connection fee and subject to BellSouth's normal application procedures. Accutel is solely responsible for notifying the end user of the proposed service disconnection. If within fifteen (15) days after an end user's service has been denied and no arrangements to reestablish service have been made consistent with this subsection, the end user's service will be disconnected.
- 1.8 Deposit Policy. When purchasing services from BellSouth, Accutel will be required to complete the BellSouth Credit Profile and provide information regarding credit worthiness. Based on the results of the credit analysis, the Company reserves the right to secure the account with a suitable form of security deposit. Such security deposit shall take the form of cash, an Irrevocable Letter of Credit (BellSouth form), Surety Bond (BellSouth form) or, in its sole discretion, some other form of security. Any such security deposit shall in no way release Accutel from his obligation to make complete and timely payments of his bill. Such security shall be required prior to the inauguration of service. If, in the sole opinion of BellSouth, circumstances so warrant and/or gross monthly billing has increased beyond the level initially used to determine the level of security, the BellSouth reserves the right to request additional security and/or file a Uniform Commercial Code (UCC1) security interest in Accutel's "accounts receivables and proceeds." Interest on a security deposit, if provided in cash, shall accrue and be paid in accordance with the terms in the appropriate BellSouth tariff.
- 1.9 Rates. Rates for Optional Daily Usage File (ODUF), Enhanced Optional Daily Usage File (EODUF), Access Daily Usage File (ADUF), and Centralized Message Distribution Service (CMDMS) are set out in Exhibit A to this Attachment. If no rate is identified in this Attachment, the rate for the specific service or function will be as set forth in applicable BellSouth tariff or as negotiated by the Parties upon request by either Party.

2. Billing Accuracy Certification

- 2.1 Upon request, BellSouth and Accutel will agree upon a billing quality assurance program for all billing elements covered in this Agreement that will eliminate the need for post-billing reconciliation. Appropriate terms for access to any BellSouth documents, systems, records, and procedures for the recording and billing of charges will be part of that program.

- 2.2 As part of the billing quality assurance program, BellSouth and Accutel will develop standards, measurements, and performance requirements for a local billing measurements process. On a regular basis BellSouth will provide Accutel with mutually agreed upon performance measurement data that substantiates the accuracy, reliability, and integrity of the billing process for local billing. In return, Accutel will pay all bills received from BellSouth in full by the payment due date.
- 2.3 Local billing discrepancies will be addressed in an orderly manner via a mutually agreed upon billing exemption process.
- 2.3.1 Each Party agrees to notify the other Party upon identifying a billing discrepancy. The Parties shall endeavor to resolve any billing discrepancy within sixty (60) calendar days of the notification date. A mutually agreed upon escalation process will be established for resolving local billing discrepancies as part of the billing quality assurance program.
- 2.3.2 Closure of a specific billing period will occur by joint agreement of the Parties whereby the Parties agree that such billing period is closed to any further analysis and financial transactions except those resulting from regulatory mandates. Closure will take place within a mutually agreed upon time interval from the bill date. The month being closed represents those charges that were billed or should have been billed by the designated bill date.

3. Billing Disputes

- 3.1 Where the Parties have not agreed upon a billing quality assurance program, billing disputes shall be handled pursuant to the terms of this section.
- 3.1.1 Each Party agrees to notify the other Party in writing upon the discovery of a billing dispute. In the event of a billing dispute, the Parties will endeavor to resolve the dispute within sixty (60) calendar days of the notification date.
- 3.2 If a Party disputes a charge and does not pay such charge by the payment due date, or if a payment or any portion of a payment is received by either Party after the payment due date, or if a payment or any portion of a payment is received in funds which are not immediately available to the other Party, then a late payment penalty shall be assessed. For bills rendered by either Party for payment, the late payment charge for both Parties shall be calculated based on the portion of the payment not received by the payment due date times the late factor as set forth in the following BellSouth tariffs: for services purchased from the General Subscribers Services Tariff for purposes of resale and for ports and non-designed loops, Section A2 of the General Subscriber Services Tariff; for services purchased from the Private Line Tariff for purposes of resale, Section B2 of the Private Line Service Tariff; and for network elements and other services and local interconnection charges, Section E2 of the

Access Service Tariff. In no event, however, shall interest be assessed by either Party on any previously assessed late payment charges. The Parties shall assess interest on previously assessed late payment charges only in a state where it has the authority pursuant to its tariffs.

4. RAO Hosting

- 4.1 RAO Hosting, Calling Card and Third Number Settlement System (CATS) and Non-Intercompany Settlement System (NICS) services provided to Accutel by BellSouth will be in accordance with the methods and practices regularly adopted and applied by BellSouth to its own operations during the term of this Agreement, including such revisions as may be made from time to time by BellSouth.
- 4.2 Accutel shall furnish all relevant information required by BellSouth for the provision of RAO Hosting, CATS and NICS.
- 4.3 Compensation amounts, if applicable, will be billed by BellSouth to Accutel on a monthly basis in arrears. Amounts due from one Party to the other (excluding adjustments) are payable within thirty (30) days of receipt of the billing statement.
- 4.4 Accutel must have its own unique hosted RAO code. Requests for establishment of RAO status where BellSouth is the selected Centralized Message Distribution System (CMDS) interfacing host, require written notification from Accutel to the BellSouth RAO Hosting coordinator at least eight (8) weeks prior to the proposed effective date. The proposed effective date will be mutually agreed upon between the Parties with consideration given to time necessary for the completion of required Telcordia (formerly BellCore) functions. BellSouth will request the assignment of an RAO code from its connecting contractor, currently Telcordia (formerly BellCore), on behalf of Accutel and will coordinate all associated conversion activities.
- 4.5 BellSouth will receive messages from Accutel that are to be processed by BellSouth, another LEC or CLEC in the BellSouth region or a LEC outside the BellSouth region.
- 4.6 BellSouth will perform invoice sequence checking, standard EMI format editing, and balancing of message data with the EMI trailer record counts on all data received from Accutel.
- 4.7 All data received from Accutel that is to be processed or billed by another LEC or CLEC within the BellSouth region will be distributed to that LEC or CLEC in accordance with the Agreement(s) which may be in effect between BellSouth and the involved LEC or CLEC.
- 4.8 All data received from Accutel that is to be placed on the CMDS network for distribution outside the BellSouth region will be handled in accordance with the

- agreement(s) which may be in effect between BellSouth and its connecting contractor (currently Telcordia (formerly BellCore)).
- 4.9 BellSouth will receive messages from the CMDS network that are destined to be processed by Accutel and will forward them to Accutel on a daily basis.
- 4.10 Transmission of message data between BellSouth and Accutel will be via CONNECT:Direct.
- 4.11 All messages and related data exchanged between BellSouth and Accutel will be formatted in accordance with accepted industry standards for EMI formatted records and packed between appropriate EMI header and trailer records, also in accordance with accepted industry standards.
- 4.12 Accutel will ensure that the recorded message detail necessary to recreate files provided to BellSouth will be maintained for back-up purposes for a period of three (3) calendar months beyond the related message dates.
- 4.13 Should it become necessary for Accutel to send data to BellSouth more than sixty (60) days past the message date(s), Accutel will notify BellSouth in advance of the transmission of the data. If there will be impacts outside the BellSouth region, BellSouth will work with its connecting contractor and Accutel to notify all affected Parties.
- 4.14 In the event that data to be exchanged between the two Parties should become lost or destroyed, both Parties will work together to determine the source of the problem. Once the cause of the problem has been jointly determined and the responsible Party (BellSouth or Accutel) identified and agreed to, the company responsible for creating the data (BellSouth or Accutel) will make every effort to have the affected data restored and retransmitted. If the data cannot be retrieved, the responsible Party will be liable to the other Party for any resulting lost revenue. Lost revenue may be a combination of revenues that could not be billed to the end users and associated access revenues. Both Parties will work together to estimate the revenue amount based upon historical data through a method mutually agreed upon. The resulting estimated revenue loss will be paid by the responsible Party to the other Party within three (3) calendar months of the date of problem resolution, or as mutually agreed upon by the Parties.
- 4.15 Should an error be detected by the EMI format edits performed by BellSouth on data received from Accutel, the entire pack containing the affected data will not be processed by BellSouth. BellSouth will notify Accutel of the error condition. Accutel will correct the error(s) and will resend the entire pack to BellSouth for processing. In the event that an out-of-sequence condition occurs on subsequent packs, Accutel will resend these packs to BellSouth after the pack containing the error has been successfully reprocessed by BellSouth.

- 4.16 In association with message distribution service, BellSouth will provide Accutel with associated intercompany settlements reports (CATS and NICS) as appropriate.
- 4.17 In no case shall either Party be liable to the other for any direct or consequential damages incurred as a result of the obligations set out in this Agreement.
- 4.18 RAO Compensation
- 4.18.1 Rates for message distribution service provided by BellSouth for Accutel are as set forth in Exhibit A to this Attachment.
- 4.18.2 Rates for data transmission associated with message distribution service are as set forth in Exhibit A to this Attachment .
- 4.18.3 Data circuits (private line or dial-up) will be required between BellSouth and Accutel for the purpose of data transmission. Where a dedicated line is required, Accutel will be responsible for ordering the circuit, overseeing its installation and coordinating the installation with BellSouth. Accutel will also be responsible for any charges associated with this line. Equipment required on the BellSouth end to attach the line to the mainframe computer and to transmit successfully ongoing will be negotiated on a case by case basis. Where a dial-up facility is required, dial circuits will be installed in the BellSouth data center by BellSouth and the associated charges assessed to Accutel. Additionally, all message toll charges associated with the use of the dial circuit by Accutel will be the responsibility of Accutel. Associated equipment on the BellSouth end, including a modem, will be negotiated on a case by case basis between the Parties.
- 4.18.4 All equipment, including modems and software, that is required on the Accutel end for the purpose of data transmission will be the responsibility of Accutel.
- 4.19 Intercompany Settlements Messages
- 4.19.1 This Section addresses the settlement of revenues associated with traffic originated from or billed by Accutel as a facilities based provider of local exchange telecommunications services outside the BellSouth region. Only traffic that originates in one Bell operating territory and bills in another Bell operating territory is included. Traffic that originates and bills within the same Bell operating territory will be settled on a local basis between Accutel and the involved company(ies), unless that company is participating in NICS.
- 4.19.2 Both traffic that originates outside the BellSouth region by Accutel and is billed within the BellSouth region, and traffic that originates within the BellSouth region and is billed outside the BellSouth region by Accutel, is covered by this Agreement (CATS). Also covered is traffic that either is originated by or billed by Accutel,

- involves a company other than Accutel, qualifies for inclusion in the CATS settlement, and is not originated or billed within the BellSouth region (NICS).
- 4.19.3 Once Accutel is operating within the BellSouth territory, revenues associated with calls originated and billed within the BellSouth region will be settled via Telcordia (formerly BellCore)'s, its successor or assign, NICS system.
- 4.19.4 BellSouth will receive the monthly NICS reports from Telcordia (formerly BellCore), its successor or assign, on behalf of Accutel. BellSouth will distribute copies of these reports to Accutelon a monthly basis.
- 4.19.5 BellSouth will receive the monthly Calling Card and Third Number Settlement System (CATS) reports from Telcordia (formerly BellCore), its successor or assign, on behalf of Accutel. BellSouth will distribute copies of these reports to Accutel on a monthly basis.
- 4.19.6 BellSouth will collect the revenue earned by Accutel from the Bell operating company in whose territory the messages are billed (CATS), less a per message billing and collection fee of five cents (\$0.05), on behalf of Accutel. BellSouth will remit the revenue billed by Accutel to the Bell operating company in whose territory the messages originated, less a per message billing and collection fee of five cents (\$0.05), on behalf on Accutel. These two amounts will be netted together by BellSouth and the resulting charge or credit issued to Accutel via a monthly Carrier Access Billing System (CABS) miscellaneous bill.
- 4.19.7 BellSouth will collect the revenue earned by Accutel within the BellSouth territory from another CLEC also within the BellSouth territory (NICS) where the messages are billed, less a per message billing and collection fee of five cents (\$0.05), on behalf of Accutel. BellSouth will remit the revenue billed by Accutel within the BellSouth region to the CLEC also within the BellSouth region, where the messages originated, less a per message billing and collection fee of five cents (\$0.05). These two amounts will be netted together by BellSouth and the resulting charge or credit issued to Accutel via a monthly Carrier Access Billing System (CABS) miscellaneous bill.

BellSouth and Accutel agree that monthly netted amounts of less than fifty dollars (\$50.00) will not be settled.

5. Optional Daily Usage File

- 5.1 Upon written request from Accutel, BellSouth will provide the Optional Daily Usage File (ODUF) service to Accutel pursuant to the terms and conditions set forth in this section.

5.2 The Accutel shall furnish all relevant information required by BellSouth for the provision of the Optional Daily Usage File.

5.3 The Optional Daily Usage Feed will contain billable messages that were carried over the BellSouth Network and processed in the BellSouth Billing System, but billed to a Accutel customer.

Charges for delivery of the Optional Daily Usage File will appear on the Accutels' monthly bills. The charges are as set forth in Exhibit A to this Attachment.

5.4 The Optional Daily Usage Feed will contain both rated and unrated messages. All messages will be in the standard Alliance for Telecommunications Industry Solutions (ATIS) EMI record format.

5.5 Messages that error in the billing system of the Accutel will be the responsibility of the Accutel. If, however, the Accutel should encounter significant volumes of errored messages that prevent processing by the Accutel within its systems, BellSouth will work with the Accutel to determine the source of the errors and the appropriate resolution.

5.6 The following specifications shall apply to the Optional Daily Usage Feed.

5.6.1 Usage To Be Transmitted

5.6.1.1 The following messages recorded by BellSouth will be transmitted to the Accutel:

- Message recording for per use/per activation type services (examples: Three Way Calling, Verify, Interrupt, Call Return, ETC.)
- Measured billable Local
- Directory Assistance messages
- IntraLATA Toll
- WATS & 800 Service

- N11
- Information Service Provider Messages
- Operator Services Messages
- Operator Services Message Attempted Calls (Network Element only)
- Credit/Cancel Records
- Usage for Voice Mail Message Service

5.6.1.2 Rated Incollects (originated in BellSouth and from other companies) can also be on Optional Daily Usage File. Rated Incollects will be intermingled with BellSouth recorded rated and unrated usage. Rated Incollects will not be packed separately.

5.6.1.3 BellSouth will perform duplicate record checks on records processed to Optional Daily Usage File. Any duplicate messages detected will be deleted and not sent to Accutel.

5.6.1.4 In the event that Accutel detects a duplicate on Optional Daily Usage File they receive from BellSouth, Accutel will drop the duplicate message (Accutel will not return the duplicate to BellSouth).

5.6.2 Physical File Characteristics

5.6.2.1 The Optional Daily Usage File will be distributed to Accutel via an agreed medium with CONNECT:Direct being the preferred transport method. The Daily Usage Feed will be a variable block format (2476) with an LRECL of 2472. The data on the Daily Usage Feed will be in a non-compacted EMI format (175 byte format plus modules). It will be created on a daily basis (Monday through Friday except holidays). Details such as dataset name and delivery schedule will be addressed during negotiations of the distribution medium. There will be a maximum of one dataset per workday per OCN.

5.6.2.2 Data circuits (private line or dial-up) may be required between BellSouth and Accutel for the purpose of data transmission. Where a dedicated line is required, Accutel will be responsible for ordering the circuit, overseeing its installation and coordinating the installation with BellSouth. Accutel will also be responsible for any charges associated with this line. Equipment required on the BellSouth end to attach the line to the mainframe computer and to transmit successfully ongoing will be negotiated on a case by case basis. Where a dial-up facility is required, dial circuits will be installed in the BellSouth data center by BellSouth and the associated charges assessed to Accutel. Additionally, all message toll charges associated with the use of the dial circuit by Accutel will be the responsibility of Accutel. Associated equipment on the BellSouth end, including a modem, will be negotiated on a case by case basis between the Parties. All equipment, including modems and software, that is required on Accutel end for the purpose of data transmission will be the responsibility of Accutel.

5.6.3 Packing Specifications

5.6.3.1 A pack will contain a minimum of one message record or a maximum of 99,999 message records plus a pack header record and a pack trailer record. One transmission can contain a maximum of 99 packs and a minimum of one pack.

5.6.3.2 The OCN, From RAO, and Invoice Number will control the invoice sequencing. The From RAO will be used to identify to Accutel which BellSouth RAO that is sending the message. BellSouth and Accutel will use the invoice sequencing to control data exchange. BellSouth will be notified of sequence failures identified by Accutel and resend the data as appropriate.

The data will be packed using ATIS EMI records.

5.6.4 Pack Rejection

5.6.4.1 Accutel will notify BellSouth within one business day of rejected packs (via the mutually agreed medium). Packs could be rejected because of pack sequencing discrepancies or a critical edit failure on the Pack Header or Pack Trailer records (i.e. out-of-balance condition on grand totals, invalid data populated). Standard ATIS EMI Error Codes will be used. Accutel will not be required to return the actual rejected data to BellSouth. Rejected packs will be corrected and retransmitted to Accutel by BellSouth.

5.6.5 Control Data

Accutel will send one confirmation record per pack that is received from BellSouth. This confirmation record will indicate Accutel received the pack and the acceptance or rejection of the pack. Pack Status Code(s) will be populated using standard ATIS EMI error codes for packs that were rejected by Accutel for reasons stated in the above section.

5.6.6 Testing

5.6.6.1 Upon request from Accutel, BellSouth shall send test files to Accutel for the Optional Daily Usage File. The Parties agree to review and discuss the file's content and/or format. For testing of usage results, BellSouth shall request that Accutel set up a production (LIVE) file. The live test may consist of Accutel's employees making test calls for the types of services Accutel requests on the Optional Daily Usage File. These test calls are logged by Accutel, and the logs are provided to BellSouth. These logs will be used to verify the files. Testing will be completed within 30 calendar days from the date on which the initial test file was sent.

6. Access Daily Usage File

6.1. Upon written request from Accutel, BellSouth will provide the Access Daily Usage File (ADUF) service to Accutel pursuant to the terms and conditions set forth in this section.

6.2 The Accutel shall furnish all relevant information required by BellSouth for the provision of the Access Daily Usage File.

6.3 The Access Daily Usage Feed will contain access messages associated with a port that Accutel has purchased from BellSouth

- 6.4 Charges for delivery of the Access Daily Usage File will appear on the Accutel's monthly bills. The charges are as set forth in Exhibit A to this Attachment. All messages will be in the standard Alliance for Telecommunications Industry Solutions (ATIS) EMI record format.
- 6.5 Messages that error in the billing system of the Accutel will be the responsibility of the Accutel. If, however, the Accutel should encounter significant volumes of errored messages that prevent processing by the Accutel within its systems, BellSouth will work with the Accutel to determine the source of the errors and the appropriate resolution.
- 6.6 Usage To Be Transmitted
- 6.6.1 The following messages recorded by BellSouth will be transmitted to Accutel:
- Originating and terminating interstate and intrastate access records associated with a port.
- Terminating access records for undetermined jurisdiction access records associated with a port.
- 6.6.2 When Accutel purchases Network Element ports from BellSouth and calls are made using these ports, BellSouth will handle the calls as follows:
- Originating from Network Element and carried by Interexchange Carrier:
- BellSouth will bill network element to CLEC and send access record to the CLEC via ADUF
- Originating from network element and carried by BellSouth (Accutel is BellSouth's toll customer):
- BellSouth will bill resale toll rates to Accutel and send toll record for the end user toll billing purposes via ODUF (Optional Daily Usage File). Access record will be sent to Accutel via ADUF.
- Terminating on network element and carried by Interexchange Carrier:
- BellSouth will bill network element to Accutel and send access record to Accutel.
- Terminating on network element and carried by BellSouth:
- BellSouth will bill network element to Accutel and send access record to Accutel.

6.6.3 BellSouth will perform duplicate record checks on records processed to the Access Daily Usage File. Any duplicate messages detected will be dropped and not sent to Accutel.

6.6.4 In the event that Accutel detects a duplicate on the Access Daily Usage File they receive from BellSouth, Accutel will drop the duplicate message (Accutel will not return the duplicate to BellSouth.)

6.6.5 Physical File Characteristics

6.6.5.1 The Access Daily Usage File will be distributed to Accutel via an agreed medium with CONNECT:Direct being the preferred transport method. The Daily Usage Feed will be a fixed block format (2476) with an LRECL of 2472. The data on the Daily Usage Feed will be in a non-compacted EMI format (210 byte format plus modules). It will be created on a daily basis (Monday through Friday except holidays). Details such as dataset name and delivery schedule will be addressed during negotiations of the distribution medium. There will be a maximum of one dataset per workday per OCN.

6.6.5.2 Data circuits (private line or dial-up) may be required between BellSouth and Accutel for the purpose of data transmission. Where a dedicated line is required, Accutel will be responsible for ordering the circuit, overseeing its installation and coordinating the installation with BellSouth. Accutel will also be responsible for any charges associated with this line. Equipment required on the BellSouth end to attach the line to the mainframe computer and to transmit successfully ongoing will be negotiated on a case by case basis. Where a dial-up facility is required, dial circuits will be installed in the BellSouth data center by BellSouth and the associated charges assessed to Accutel. Additionally, all message toll charges associated with the use of the dial circuit by Accutel will be the responsibility of Accutel. Associated equipment on the BellSouth end, including a modem, will be negotiated on a case by case basis between the Parties. All equipment, including modems and software, that is required on Accutel end for the purpose of data transmission will be the responsibility of Accutel.

6.6.6 Packing Specifications

6.6.6.1 A pack will contain a minimum of one message record or a maximum of 99,999 message records plus a pack header record and a pack trailer record. One transmission can contain a maximum of 99 packs and a minimum of one pack.

6.6.6.2 The OCN, From RAO, and Invoice Number will control the invoice sequencing. The From RAO will be used to identify to Accutel which BellSouth RAO that is sending the message. BellSouth and Accutel will use the invoice sequencing to control data exchange. BellSouth will be notified of sequence failures identified by Accutel and resend the data as appropriate.

The data will be packed using ATIS EMI records.

6.6.7 Pack Rejection

6.6.7.1 Accutel will notify BellSouth within one business day of rejected packs (via the mutually agreed medium). Packs could be rejected because of pack sequencing discrepancies or a critical edit failure on the Pack Header or Pack Trailer records (i.e. out-of-balance condition on grand totals, invalid data populated). Standard ATIS EMI Error Codes will be used. Accutel will not be required to return the actual rejected data to BellSouth. Rejected packs will be corrected and retransmitted to Accutel by BellSouth.

6.6.8 Control Data

Accutel will send one confirmation record per pack that is received from BellSouth. This confirmation record will indicate Accutel received the pack and the acceptance or rejection of the pack. Pack Status Code(s) will be populated using standard ATIS EMI error codes for packs that were rejected by Accutel for reasons stated in the above section.

6.6.9 Testing

6.6.9.1 Upon request from Accutel, BellSouth shall send test files to Accutel for the Access Daily Usage File. Testing shall consist of actual calls made from live accounts. A call log shall be supplied along with test request information. The Parties agree to review and discuss the file's content and/or format.

7. Enhanced Optional Daily Usage File

7.1 Upon written request from Accutel, BellSouth will provide the Enhanced Optional Daily Usage File (EODUF) service to Accutel pursuant to the terms and conditions set forth in this section. EODUF will only be sent to existing ODUF subscribers who request the EODUF option.

7.2 The Accutel shall furnish all relevant information required by BellSouth for the provision of the Enhanced Optional Daily Usage File.

7.3 The Enhanced Optional Daily Usage File (EODUF) will provide usage data for local calls originating from resold Flat Rate Business and Residential Lines.

Charges for delivery of the Enhanced Optional Daily Usage File will appear on the Accutels' monthly bills. The charges are as set forth in Exhibit A to this Attachment.

- 7.4 All messages will be in the standard Alliance for Telecommunications Industry Solutions (ATIS) EMI record format.
- 7.5 Messages that error in the billing system of the Accutel will be the responsibility of the Accutel. If, however, the Accutel should encounter significant volumes of errored messages that prevent processing by the Accutel within its systems, BellSouth will work with the Accutel to determine the source of the errors and the appropriate resolution.

7.6 The following specifications shall apply to the Optional Daily Usage Feed.

7.6.1 Usage To Be Transmitted

7.6.1.1 The following messages recorded by BellSouth will be transmitted to the Accutel:

Customer usage data for flat rated local call originating from CLEC end user lines (1FB or 1FR). The EODUF record for flat rate messages will include:

Date of Call
From Number
To Number
Connect Time
Conversation Time
Method of Recording
From RAO
Rate Class
Message Type
Billing Indicators
Bill to Number

7.6.1.2 BellSouth will perform duplicate record checks on EODUF records processed to Optional Daily Usage File. Any duplicate messages detected will be deleted and not sent to Accutel.

7.6.1.3 In the event that Accutel detects a duplicate on Enhanced Optional Daily Usage File they receive from BellSouth, Accutel will drop the duplicate message (Accutel will not return the duplicate to BellSouth).

7.6.2 Physical File Characteristics

7.6.2.1 The Enhanced Optional Daily Usage Feed will be distributed to Accutel over their existing Optional Daily Usage File (ODUF) feed. The EODUF messages will be intermingled among Accutel's Optional Daily Usage File (ODUF) messages. The EODUF will be a variable block format (2476) with an LRECL of 2472. The data on

the EODUF will be in a non-compacted EMI format (175 byte format plus modules). It will be created on a daily basis (Monday through Friday except holidays).

- 7.6.2.2 Data circuits (private line or dial-up) may be required between BellSouth and Accutel for the purpose of data transmission. Where a dedicated line is required, Accutel will be responsible for ordering the circuit, overseeing its installation and coordinating the installation with BellSouth. Accutel will also be responsible for any charges associated with this line. Equipment required on the BellSouth end to attach the line to the mainframe computer and to transmit successfully ongoing will be negotiated on a case by case basis. Where a dial-up facility is required, dial circuits will be installed in the BellSouth data center by BellSouth and the associated charges assessed to Accutel. Additionally, all message toll charges associated with the use of the dial circuit by Accutel will be the responsibility of Accutel. Associated equipment on the BellSouth end, including a modem, will be negotiated on a case by case basis between the Parties. All equipment, including modems and software, that is required on Accutel end for the purpose of data transmission will be the responsibility of Accutel.

7.6.3 Packing Specifications

- 7.6.3.1 A pack will contain a minimum of one message record or a maximum of 99,999 message records plus a pack header record and a pack trailer record. One transmission can contain a maximum of 99 packs and a minimum of one pack.
- 7.6.3.2 The Operating Company Number (OCN), From Revenue Accounting Office (RAO), and Invoice Number will control the invoice sequencing. The From RAO will be used to identify to Accutel which BellSouth RAO that is sending the message. BellSouth and Accutel will use the invoice sequencing to control data exchange. BellSouth will be notified of sequence failures identified by Accutel and resend the data as appropriate.

The data will be packed using ATIS EMI records.

BELLSOUTH/Accutel RATES
ODUF/EODUF/ADUF/CMDS

| DESCRIPTION | USOC | RATES BY STATE | | | | | | | | |
|---|------|----------------|-------------|-------------|-------------|-------------|-------------|-------------|-------------|-------------|
| | | AL | FL | GA | KY | LA | MS | NC | SC | TN |
| ODUF/EODUF/ADUF/CMDS | | | | | | | | | | |
| ODUF: Recording, per message | N/A | \$0.0002 | \$0.008 | \$0.008 | \$0.0008611 | \$0.00019 | \$0.0001179 | \$0.008 | \$0.0002862 | \$0.008 |
| ODUF: Message Processing, per message | N/A | \$0.0033 | \$0.004 | \$0.004 | \$0.0032357 | \$0.0024 | \$0.0032089 | \$0.004 | \$0.0032344 | \$0.004 |
| EODUF: Message Processing, per message | N/A | \$0.004 | \$0.004 | \$0.004 | \$0.004 | \$0.004 | \$0.004 | \$0.004 | \$0.004 | \$0.004 |
| ADUF: Message Processing, per message | N/A | \$0.004 | \$0.004 | \$0.004 | \$0.004 | \$0.004 | \$0.004 | \$0.004 | \$0.004 | \$0.004 |
| CMDS: Message Processing, per message | N/A | \$0.004 | \$0.004 | \$0.004 | \$0.004 | \$0.004 | \$0.004 | \$0.004 | \$0.004 | \$0.004 |
| ODUF: Message Processing, per magnetic tape provisioned | N/A | \$55.19 | \$54.95 | \$54.95 | \$55.68 | \$47.30 | \$54.62 | \$54.95 | \$54.72 | \$54.95 |
| EODUF: Message Processing, per magnetic tape provisioned | N/A | \$47.30 | \$47.30 | \$47.30 | \$47.30 | \$47.30 | \$47.30 | \$47.30 | \$47.30 | \$47.30 |
| ODUF: Data Transmission (CONNECT:DIRECT), per message | N/A | \$0.00004 | \$0.001 | \$0.001 | \$0.0000365 | \$0.00003 | \$0.0000354 | \$0.001 | \$0.0000357 | \$0.001 |
| EODUF: Data Transmission (CONNECT:DIRECT), per message | N/A | \$0.0000364 | \$0.0000364 | \$0.0000364 | \$0.0000364 | \$0.0000364 | \$0.0000364 | \$0.0000364 | \$0.0000364 | \$0.0000364 |
| ADUF: Data Transmission (CONNECT:DIRECT), per message | N/A | \$0.001 | \$0.001 | \$0.001 | \$0.001 | \$0.001 | \$0.001 | \$0.001 | \$0.001 | \$0.001 |
| CMDS: Data Transmission (CONNECT:DIRECT), per message | N/A | \$0.001 | \$0.001 | \$0.001 | \$0.001 | \$0.001 | \$0.001 | \$0.001 | \$0.001 | \$0.001 |
| NOTES: | | | | | | | | | | |
| If no rate is identified in the contract, the rate for the specific service or function will be as set forth in applicable BellSouth tariff or as negotiated by the parties upon request by either party. | | | | | | | | | | |

Attachment 8

Rights-of-Way, Conduits and Pole Attachments

Rights-of-Way, Conduits and Pole Attachments

BellSouth will provide nondiscriminatory access to any pole, duct, conduit, or right-of-way owned or controlled by BellSouth pursuant to 47 U.S.C. § 224, as amended by the Act, pursuant to terms and conditions of a license agreement subsequently negotiated with BellSouth's Competitive Structure Provisioning Center.

Attachment 9
Performance Measurements

TABLE OF CONTENTS

Service Performance Measurements And Enforcement Mechanisms 3

1. Scope 3

2. Reporting..... 3

3. Modifications to Measurements 3

4. Enforcement Mechanisms..... 4

EXHIBIT A 10

EXHIBIT B 77

EXHIBIT C 83

EXHIBIT D 99

EXHIBIT E 105

Service Performance Measurements And Enforcement Mechanisms

1. Scope

This Attachment includes Enforcement Measurements with corresponding Enforcement Mechanisms applicable to this Agreement.

2. Reporting

2.1 In providing services pursuant to this Agreement, BellSouth will report its performance to Accutel in accordance with BellSouth's Service Quality Measurements, which are contained in this Attachment as Exhibit A and in accordance with BellSouth's Enforcement Measurements, which are contained in this Attachment as Exhibit B.

2.2 BellSouth will make performance reports available to Accutel on a monthly basis. The reports will contain information collected in each performance category and will be available to Accutel through some electronic medium to be determined by BellSouth. BellSouth will also provide electronic access to the raw data underlying the performance measurements. Within thirty (30) days of execution of this Agreement, BellSouth will provide a detailed session of instruction to Accutel regarding access to the reports and to the raw data as well as the nature of the format of the data provided.

3. Modifications to Measurements

3.1 Service Quality Measurements

3.1.1 BellSouth will update the Service Quality Measurements contained in Exhibit A of this Attachment each calendar quarter. BellSouth will not delete any Service Quality Measurement without prior written consent of Accutel. Accutel may provide input to BellSouth regarding any suggested additions, deletions or other modifications to the Service Quality Measurements. BellSouth will provide notice of all changes to the Service Quality Measurements via BellSouth's internet website.

3.1.2 Notwithstanding the foregoing, BellSouth may, from time to time, be ordered by a regulatory or judicial body to modify or amend the Service Quality Measurements. BellSouth will make all such changes to the Service Quality Measurements pursuant to Section ___ of the General Terms and Conditions of this Agreement, incorporated herein by reference.

3.1.3 Notwithstanding any other provision of this Agreement, in the event

a dispute arises regarding the modification or amendment of the Service Quality Measurements, the parties will refer the dispute to the Commission.

3.2 Enforcement Measurements and Statistical Test

3.2.1 In order for BellSouth to accurately administer the Enforcement Measurements contained in Exhibit B of this Attachment, the Enforcement Measurements shall be modified or amended only if BellSouth determines such modification or amendment is necessary. However, BellSouth will not delete any Enforcement Measurement without prior written consent of Accutel. BellSouth will notify Accutel of any such modification or amendment to the Enforcement Measurements via BellSouth's internet website.

3.2.2 Notwithstanding the foregoing, BellSouth may, from time to time, be ordered by a regulatory or judicial body to modify or amend the Enforcement Measurements and/or Statistical Test. BellSouth will make all such changes to the Enforcement Measurements and/or Statistical Test pursuant to Section ___ of the General Terms and Conditions of this Agreement, incorporated herein by reference.

3.2.3 Notwithstanding any other provision of this Agreement, in the event a dispute arises regarding the modification or amendment of the Enforcement Measurements and/or Statistical Test, the parties will refer the dispute to the Commission.

4. Enforcement Mechanisms

4.1 Purpose

This section establishes meaningful and significant enforcement mechanisms voluntarily provided by BellSouth to verify and maintain compliance between BellSouth and Accutel's operations as well as to maintain access to Operational Support System (OSS) functions. This section provides the terms and conditions for such self-effectuating enforcement mechanisms.

4.2 Effective Date

The enforcement mechanisms set forth in this section shall only become effective upon an effective FCC order, which has not been stayed, authorizing BellSouth to provide interLATA telecommunications services under section 271 of the Act within a particular state and shall only apply to BellSouth's performance in any state in which the FCC has granted BellSouth interLATA authority.

- 4.3 Definitions
- 4.3.1 Enforcement Measurement Elements means the performance measurements set forth in Exhibit B, attached hereto and incorporated herein by this reference.
- 4.3.2 Enforcement Measurement Benchmark means a competitive level of performance negotiated by BellSouth used to compare the performance of BellSouth and Accutel where no analogous process, product or service is feasible. See Exhibit B.
- 4.3.3 Enforcement Measurement Compliance means comparing performance levels provided to BellSouth retail customers with performance levels provided by BellSouth to the CLEC customer, as set forth in Exhibit C, attached hereto and incorporated herein by this reference.
- 4.3.4 Test Statistic and Balancing Critical Value is the means by which enforcement will be determine using statistically valid equations. See Exhibit C.
- 4.3.5 Cell is the point (below the wire center level) at which like-to-like comparisons are made. For example, all BellSouth retail POTS services, for residential customers, requiring a dispatch in a particular wire center, at a particular point in time will be compared directly to Accutel resold services for residential customers, requiring a dispatch, in the same wire center, at a particular point in time. When determining compliance, these cells can have a positive or negative value. See Exhibit C.
- 4.3.6 Affected Volume means that proportion of the total Accutel volume or CLEC Aggregate volume for which remedies will be paid.
- 4.3.7 Parity Gap refers to the incremental departure from a compliant-level of service. (See Exhibit D). This is also referred to as “diff” in the Statistical paper (See Exhibit C).
- 4.3.8 Tier-1 Enforcement Mechanisms means self-executing liquidated damages paid directly to Accutel when BellSouth delivers non-compliant performance of any one of the Enforcement Measurement Elements for any month as calculated by BellSouth.
- 4.3.9 Tier-2 Enforcement Mechanisms means Assessments paid directly to a state Public Service Commission (“Commission”) or its designee. Tier 2 Enforcement Mechanisms are triggered by three consecutive monthly failures in a quarter in which BellSouth performance is out of compliance or does not meet the benchmarks for the aggregate of all CLEC data as

calculated by BellSouth for a particular Enforcement Measurement Element.

- 4.3.10 Tier-3 Enforcement Mechanisms means the voluntary suspension of additional marketing and sales of long distance services triggered by excessive repeat failures of those specific submeasures as defined in Exhibit D attached hereto and incorporated herein by this reference.
- 4.4 Application
- 4.4.1 The application of the Tier-1, Tier-2, and Tier-3 Enforcement Mechanisms does not foreclose other non-contractual legal and regulatory claims and remedies available to Accutel.
- 4.4.2 Proof of damages resulting from BellSouth's failure to maintain Enforcement Measurement Compliance would be difficult to ascertain and, therefore, liquidated damages are a reasonable approximation of any contractual damage. Liquidated damages under this provision are not intended to be a penalty.
- 4.5 Methodology
- 4.5.1 Tier-1 Enforcement Mechanisms will be triggered by BellSouth's failure to achieve Enforcement Measurement Compliance or Enforcement Measurement Benchmarks for the State for a given Enforcement Measurement Element in a given month based upon a test statistic and balancing critical value calculated by BellSouth utilizing BellSouth generated data. The method of calculation is attached hereto as Exhibit D and incorporated herein by this reference.
- 4.5.1.1 Tier-1 Enforcement Mechanisms apply on a per transaction basis for each negative cell and will escalate based upon the number of consecutive months that BellSouth has reported non-compliance.
- 4.5.1.2 Fee Schedule for Tier-1 Enforcement Mechanisms is shown in Table-1 attached hereto as Exhibit E and incorporated herein by this reference. Failures beyond Month 6 (as set forth in Table 1) will be subject to Month 6 fees.
- 4.5.2 Tier-2 Enforcement Mechanisms will be triggered by BellSouth's failure to achieve Enforcement Measurement Compliance or Enforcement Measurement Benchmarks for the State in a given calendar quarter based upon a statistically valid equation calculated by BellSouth utilizing BellSouth generated data. The method of calculation is attached hereto as Exhibit D and incorporated herein by reference.

- 4.5.2.1 Tier- 2 Enforcement Mechanisms apply, for an aggregate of all CLEC data generated by BellSouth, on a per transaction basis for each negative cell for a particular Enforcement Measurement Element.
- 4.5.2.2 Fee Schedule for Total Quarterly Tier-2 Enforcement Mechanisms is show in Table-2 attached hereto as Exhibit E and incorporated herein by this reference.
- 4.5.3 Tier-3 Enforcement Mechanisms will be triggered by BellSouth's failure to achieve Enforcement Measurement Compliance or Enforcement Measurement Benchmarks for a State in a given calendar quarter. The method of calculation for specified submeasures is identical to the method of calculation for Tier-2 Enforcement Mechanisms as described above. The specific submeasures which are the mechanism for triggering and removing a Tier-3 Enforcement Mechanisms are described in more detail in Exhibit D attached hereto and incorporated herein by this reference.
- 4.6 Payment of Tier-1 and Tier-2 Amounts
- 4.6.1 If BellSouth performance triggers an obligation to pay Tier-1 Enforcement Mechanisms to Accutel or an obligation to remit Tier-2 Enforcement Mechanisms to the Commission, BellSouth shall make payment in the required amount on or before the thirtieth (30th) day following the due date of the performance measurement report for the month in which the obligation arose.
- 4.6.2 For each day after the due date that BellSouth fails to pay Accutel the required amount, BellSouth will pay interest to Accutel at the maximum rate permitted by state law.
- 4.6.3 For each day after the due date that BellSouth fails to pay the Tier-2 Enforcement Mechanisms, BellSouth will pay the Commission an additional \$1,000 per day.
- 4.6.4 If Accutel disputes the amount paid to Accutel for Tier-1 Enforcement Mechanisms, Accutel shall submit a written claim to BellSouth within sixty (60) days after the date of the performance measurement report for which the obligation arose. BellSouth shall investigate all claims and provide Accutel written findings within thirty (30) days after receipt of the claim. If BellSouth determines Accutel is owed additional amounts, BellSouth shall pay Accutel such additional amounts within thirty (30) days after its findings along with interest paid at the maximum rate permitted by law.

- 4.6.5 At the end of each calendar year, BellSouth will have its independent auditing and accounting firm certify that the results of all Tier-1 and Tier-2 Enforcement Mechanisms were paid and accounted for in accordance with Generally Accepted Account Principles (GAAP).
- 4.7 Limitations of Liability
- 4.7.1 BellSouth will not be responsible for Accutel acts or omissions that cause performance measures to be missed or fail, including but not limited to accumulation and submission of orders at unreasonable quantities or times or failure to submit accurate orders or inquiries. BellSouth shall provide Accutel with reasonable notice of such acts or omissions and provide Accutel any such supporting documentation.
- 4.7.2 BellSouth shall not be obligated for Tier-1, Tier-2 or Tier 3 Enforcement Mechanisms for non-compliance with a performance measure if such non-compliance was the result of an act or omission by Accutel that is in bad faith.
- 4.7.3 BellSouth shall not be obligated to pay Tier-1 Enforcement Mechanisms or Tier-2 Enforcement Mechanism for non-compliance with a performance measurement if such non-compliance was the result of any of the following: a Force Majeure event as set forth in the General Terms and Conditions of this Agreement; an act or omission by Accutel that is contrary to any of its obligations under its Interconnection Agreement with BellSouth; an act or omission by Accutel that is contrary to any of its obligations under the Act, Commission rule, or state law; an act or omission associated with third-party systems or equipment; or any occurrence that results from an incident reasonably related to the Y2K problem.
- 4.7.4 It is not the intent of the Parties that BellSouth be liable for both Tier-2 Enforcement Mechanisms and any other assessments or sanctions imposed by the Commission. Accutel will not oppose any effort by BellSouth to set off Tier-2 Enforcement Mechanisms from any additional assessment imposed by the Commission.
- 4.7.5 Payment of any Tier-1 or Tier-2 Enforcement Mechanisms shall not be considered as an admission against interest or an admission of liability or culpability in any legal, regulatory or other proceeding relating to BellSouth's performance. The payment of any Tier-1 Enforcement Mechanisms to Accutel shall release BellSouth for any liability associated with or related to the service performance measurement for the month for which the Enforcement Mechanisms was paid to Accutel.

4.7.6 Accutel acknowledges and argues that the Enforcement Mechanisms contained in this attachment have been provided by BellSouth on a completely voluntary basis in order to maintain compliance between BellSouth and Accutel. Therefore, Accutel may not use the existence of this section or any payments of any Tier-1 or Tier-2 Enforcement Mechanisms under this section as evidence that BellSouth has not complied with or has violated any state or federal law or regulation.

4.8 Enforcement Mechanism Caps

4.8.1 BellSouth's liability for the payment of Tier-1 and Tier-2 Enforcement Mechanisms shall be collectively capped at \$625M per year for the entire BellSouth region as set forth below.

| | |
|-------------------------|------------|
| AL - \$54M | MS - \$44M |
| FL - \$122M | NC - \$77M |
| GA - \$131M | SC - \$47M |
| KY - \$34M | TN - \$57M |
| LA - \$59M | |
| Regional Total - \$625M | |

4.8.2 If BellSouth's liability for the payment of Tier-1 and Tier-2 Enforcement Mechanisms exceed the caps referenced in this attachment, Accutel may commence a proceeding with the Commission to demonstrate why BellSouth should pay any amount in excess of the cap. Accutel shall have the burden of proof to demonstrate why, under the circumstances, BellSouth should have additional liability.

4.9 Dispute Resolution

4.9.1 Notwithstanding any other provision of this Agreement, any dispute regarding BellSouth's performance or obligations pursuant to this Attachment shall be resolved by the Commission.

EXHIBIT A

ORDERING

| | |
|--|---|
| Report/Measurement: | |
| O-7. Speed of Answer in Ordering Center | |
| Definition: | |
| Measures the average time a customer is in queue. | |
| Exclusions: | |
| None | |
| Business Rules: | |
| The clock starts when the appropriate option is selected (i.e. 1 for Resale Consumer, 2 for Resale Multiline, and 3 for UNE-LNP, etc.) and the call enters the queue for that particular group in the LCSC. The clock stops when a BST service representative in the LCSC answers the call. The speed of answer is determined by measuring and accumulating the elapsed time from the entry of a CLEC call into the BellSouth automatic call distributor (ACD) until the a service representative in BSTs Local Carrier Service Center (LCSC) answers the CLEC call. | |
| Calculation: | |
| $(\text{Total time in seconds to reach the LCSC}) / (\text{Total Number of Calls})$ in the Reporting Period. | |
| Report Structure: | |
| <ul style="list-style-type: none"> • CLEC Aggregate • BST Aggregate (Combination of Residence Service Center and Business Service Center data under development) | |
| Level of Disaggregation: | |
| <ul style="list-style-type: none"> • CLEC Aggregate • BST Aggregate (Combination of Residence Service Center and Business Service Center data under development) | |
| Data Retained Relating to CLEC Experience: | Data Retained Relating to BST Performance: |
| <ul style="list-style-type: none"> • Mechanized tracking through LCSC Automatic Call Distributor | <ul style="list-style-type: none"> • Mechanized tracking through BST Retail center support systems |
| Retail Analog/Benchmark: | |
| For CLEC, Speed of Answer in Ordering Center (LCSC) is comparable to Speed of Answer in BST Business Offices. See Appendix D | |

Revision Date: 02/16/00 (lg)

ORDERING – (LNP)

| |
|---|
| Report/Measurement: |
| LNP-8. Percent Rejected Service Requests |
| Definition: |
| Percent Rejected Service Request is the percent of total Local Service Requests (LSRs) which are rejected due to error or omission. An LSR is considered valid when it is electronically submitted by the CLEC and passes LNP Gateway edit checks to insure the data received is correctly formatted and complete, i.e., fatal rejects are excluded. |
| Exclusions: |
| <ul style="list-style-type: none"> • Service Requests canceled by the CLEC • Fatal Rejects • Order Activities of BST or the CLEC associated with internal or administrative use of local services (Record Orders, Test Orders, etc.) where identifiable. |
| Business Rules: |
| <p>An LSR is considered “rejected” when it is submitted electronically but does not pass edit checks in the ordering systems (EDI, TAG, LNP Gateway, LAUTO) and is returned to the CLEC without manual intervention.</p> <p>Fully Mechanized: There are two types of “Rejects” in the Fully Mechanized category:</p> <ul style="list-style-type: none"> • A Fatal Reject occurs when a CLEC attempts to electronically submit an LSR (via EDI or TAG) but required fields are not populated correctly and the request is returned to the CLEC. Fatal rejects are reported in a separate column, and for informational purposes ONLY. They are not considered in the calculation of the percent of total LSRs rejected or the total number of rejected LSRs. • An Auto Clarification is a valid LSR which is electronically submitted (via EDI or TAG), but is rejected from LAUTO because it does not pass further edit checks for order accuracy. Auto Clarifications are returned without manual intervention. <p>Partially Mechanized: A valid LSR which is electronically submitted (via EDI or TAG), but cannot be processed electronically due to a CLEC error and “falls out” for manual handling. It is then put into “clarification”, and sent back to the CLEC.</p> <p>Total Mechanized: Combination of Fully Mechanized and Partially Mechanized rejects.</p> |
| Calculation |
| <p>Percent Rejected Service Requests:</p> $\frac{[\text{Number of Service Requests Rejected in the Reporting Period}]}{[\text{Number of Service Requests Received in the Reporting Period}]} \times 100$ |
| Report Structure: |
| <ul style="list-style-type: none"> • Fully Mechanized, Partially Mechanized, Total Mechanized • CLEC Specific • CLEC Aggregate |
| Level of Disaggregation: |
| <ul style="list-style-type: none"> • Product Reporting Levels <ul style="list-style-type: none"> ➢ LNP ➢ UNE Loop with LNP • Geographic Scope <ul style="list-style-type: none"> ➢ .State, Region |
| Retail Analog/Benchmark: |
| See Appendix D |

Revision Date: 02/16/00 (1g)

ORDERING – (LNP)

| |
|--|
| Report/Measurement: |
| LNP-9. Reject Interval Distribution & Average Reject Interval |
| Definition: |
| Reject Interval is the average reject time from receipt of an LSR to the distribution of a Reject. An LSR is considered valid when it is electronically submitted by the CLEC and passes LNP Gateway edit checks to insure the data received is correctly formatted and complete, i.e., fatal rejects are excluded. |
| Exclusions: |
| <ul style="list-style-type: none"> • Service Requests canceled by CLEC • Fatal Rejects • Order Activities of BST or the CLEC associated with internal or administrative use of local services (Record Orders, Test Orders, etc.) where identifiable. |
| Business Rules: |
| <p>The Reject interval is determined for each rejected LSR processed during the reporting period. The Reject interval is the elapsed time from when BST receives LSR until that LSR is rejected back to the CLEC. Elapsed time for each LSR is accumulated for each reporting dimension. The accumulated time for each reporting dimension is then divided by the associated total number of rejected LSRs to produce the reject interval distribution.</p> <p>An LSR is considered “rejected” when it is submitted electronically but does not pass edit checks in the ordering systems (EDI, TAG, LNP Gateway, LAUTO) and is returned to the CLEC without manual intervention.</p> <p>Fully Mechanized: There are two types of “Rejects” in the Fully Mechanized category:</p> <ul style="list-style-type: none"> • A Fatal Reject occurs when a CLEC attempts to electronically submit an LSR but required fields are not populated correctly and the request is returned to the CLEC. <i>Fatal rejects are reported in a separate column, and for informational purposes ONLY. They are not considered in the calculation of the percent of total LSRs rejected or the number of rejected LSRs.</i> • An Auto Clarification is a valid LSR which is electronically submitted (via EDI or TAG), but rejected from LAUTO because it does not pass further edit checks for order accuracy. Auto Clarifications are returned without manual intervention. <p>Partially Mechanized: A valid LSR which is electronically submitted (via EDI or TAG), but cannot be processed electronically due to a CLEC error and “falls out” for manual handling. It is then put into “clarification”, and sent back to the CLEC.</p> <p>Total Mechanized: Combination of Fully Mechanized and Partially Mechanized rejects.</p> |
| Calculation: |
| <p>Average Reject Interval: $\frac{\Sigma (\text{Date \& Time of Service Request Rejection}) - (\text{Date \& Time of Service Request Receipt})}{(\text{Total Number of Service Requests Rejected in Reporting Period})}$</p> <p>Reject Interval Distribution: $[S (\text{Service Requests Rejected in “X” minutes/hours}) / (\text{Total Number of Service Requests Rejected in Reporting Period})] \times 100$</p> |
| Report Structure: |
| <ul style="list-style-type: none"> • Fully Mechanized, Partially Mechanized, Total Mechanized • CLEC Specific • CLEC Aggregate |

ORDERING – (LNP) - Reject Interval Distribution & Average Reject Interval – Continued

| |
|---|
| Level of Disaggregation: |
| <ul style="list-style-type: none">• Reported in intervals = 0 - 4 minutes, 4 - 8 minutes, 8 - 12 minutes, 12 - 60 minutes, 0 - 1 hours, 1 - 8 hours, 8 - 24 hours, >24 hours• Product Reporting Levels<ul style="list-style-type: none">➢ LNP➢ UNE Loop with LNP• Geographic Scope<ul style="list-style-type: none">➢ .State, Region• Average Interval in Days |
| Retail Analog/Benchmark: |
| See Appendix D |

Revision Date: 02/16/00 (lg)

ORDERING – (LNP)

| |
|--|
| Report/Measurement: |
| LNP-10. Firm Order Confirmation Timeliness Interval Distribution & Firm Order Confirmation Average Interval |
| Definition: |
| Interval for Return of a Firm Order Confirmation (FOC Interval) is the average response time from receipt of a valid LSR to distribution of a firm order confirmation. |
| Exclusions: |
| <ul style="list-style-type: none"> • Rejected LSRs (Clarifications or Fatal Rejects) • Order Activities of BST or the CLEC associated with internal or administrative use of local services (Record Orders, Test Orders, etc.) where identifiable. |
| Business Rules: |
| <p>The Firm Order Confirmation interval is determined for each FOC'd LSR processed during the reporting period. The Firm Order Confirmation interval is the elapsed time from when BST receives an LSR until that LSR is confirmed back to the CLEC. Elapsed time for each LSR is accumulated for each reporting dimension. The accumulated time for each reporting dimension is then divided by the associated total number of orders completed to produce the Firm Order Confirmation timeliness interval distribution.</p> <ul style="list-style-type: none"> • Mechanized - The elapsed time from receipt of a valid LSR until the LSR is processed and appropriate service orders are generated in SOCS without manual intervention. • Partially Mechanized - The elapsed time from receipt of an electronically submitted LSR which falls out for manual handling by the LCSC personnel until appropriate service orders are issued by a BST service representative via Direct Order Entry (DOE) or Service Order Negotiation Generation System (SONGS). • Total Mechanized - Combination of Fully Mechanized and Partially Mechanized FOCs. |
| Calculation: |
| <p>Average FOC Interval: $S [(\text{Date \& Time of Firm Order Confirmation}) - (\text{Date \& Time of Service Request Receipt})] / (\text{Total number of Service Requests Confirmed in the Reporting Period})$</p> <p>FOC Interval Distribution: $S [(\text{Service Requests Confirmed in "X" minutes/hours in the Reporting Period}) / (\text{Total Service Requests Confirmed in the Reporting Period})] \times 100$</p> |
| Report Structure: |
| <ul style="list-style-type: none"> • Fully Mechanized, Partially Mechanized, Total Mechanized • CLEC Specific • CLEC Aggregate |
| Level of Disaggregation: |
| <ul style="list-style-type: none"> • Reported in intervals = 0 - 15 minutes, 15 - 30 minutes, 30 - 45 minutes, 45 - 60 minutes, 90 - 120 minutes, 120 - 240 minutes, 4 - 8 hours, 8 - 12 hours, 12 - 16 hours, 16 - 20 hours, 20 - 24 hours, 24 - 48 hours, >48 hours • Product Reporting Levels <ul style="list-style-type: none"> ➢ LNP ➢ UNE Loop with LNP • Geographic Scope <ul style="list-style-type: none"> ➢ .State, Region |
| Retail Analog/Benchmark: |
| See Appendix D |

Revision Date: 02/16/00 (lg)

Provisioning Disaggregation

Product Reporting Levels

- Resale and Retail
 - POTS – Residence
 - POTS – Business
 - Design
 - PBX (Louisiana SQM)
 - CENTREX (Louisiana SQM)
 - ISDN (Louisiana SQM) (**NOTE:** ISDN included in POTS for Georgia Only)
 - ESSX (Louisiana SQM)

- Unbundled Network Elements
 - UNE Design
 - UNE Non – Design
 - UNE 2 Wire Loop (Louisiana SQM)
 - UNE Loop Other (Louisiana SQM)
 - Unbundled Ports (Louisiana SQM)

- Trunks
 - Local Interconnection Trunks

- Geographic Scope
 - State, Region and further geographic disaggregation as required by State Commission Order (e.g. Metropolitan Service Area – MSA)

The following measure is the exception for all states:

Coordinated Customer Conversion

Which is disaggregated as follows:

UNE LOOPS with INP

UNE LOOPS without INP

PROVISIONING

| |
|--|
| Report/Measurement: |
| P-1. Mean Held Order Interval & Distribution Intervals |
| Definition: |
| When delays occur in completing CLEC orders, the average period that CLEC orders are held for BST reasons, pending a delayed completion, should be no worse for the CLEC when compared to BST delayed orders. |
| Exclusions: |
| Order Activities of BST associated with internal or administrative use of local services. |
| Business Rules: |
| <p>Mean Held Order Interval: This metric is computed at the close of each report period. The held order interval is established by first identifying all orders, at the close of the reporting interval, that both have not been reported as completed in SOCS and have passed the currently committed due date for the order. For each such order, the number of calendar days between the committed due date and the close of the reporting period is established and represents the held order interval for that particular order. The held order interval is accumulated by the standard groupings, unless otherwise noted, and the reason for the order being held. The total number of days accumulated in a category is then divided by the number of held orders within the same category to produce the mean held order interval. The interval is by calendar days with no exclusions for Holidays or Sundays.</p> <p>CLEC Specific reporting is by type of held order (facilities, equipment, other), total number of orders held, and the total and average days.</p> <p>Held Order Distribution Interval: This measure provides data to report total days held and identifies these in categories of >15 days and > 90 days. (orders counted in >90 days are also included in >15 days).</p> |
| Calculation: |
| <p>Mean Held Order Interval: $\Sigma(\text{Reporting Period Close Date} - \text{Committed Order Due Date}) / (\text{Number of Orders Pending and Past The Committed Due Date})$ for all orders pending and past the committed due date.</p> <p>Held Order Distribution Interval: $(\# \text{ of Orders Held for } \geq 90 \text{ days}) / (\text{Total } \# \text{ of Orders Pending But Not Completed}) \times 100$ $(\# \text{ of Orders Held for } \geq 15 \text{ days}) / (\text{Total } \# \text{ of Orders Pending But Not Completed}) \times 100$</p> |
| Report Structure: |
| <ul style="list-style-type: none"> • CLEC Specific • CLEC Aggregate • BST Aggregate |
| Level of Disaggregation: |
| Circuit breakout < 10, > = 10 |

PROVISIONING - Mean Held Order Interval & Distribution Intervals – Continued)

| Data Retained Relating to CLEC Experience | Data Retained Relating to BST Experience |
|--|--|
| <ul style="list-style-type: none"> • Report Month • CLEC Order Number and PON (PON) • Order Submission Date (TICKET_ID) • Committed Due Date (DD) • Service Type(CLASS_SVC_DESC) • Hold Reason • Total line/circuit count • Geographic Scope <p>NOTE: Code in parentheses is the corresponding header found in the raw data file.</p> | <ul style="list-style-type: none"> • Report Month • BST Order Number • Order Submission Date • Committed Due Date • Service Type • Hold Reason • Total line/circuit count • Geographic Scope |
| <p>Retail Analog/Benchmark:</p> <p>CLEC Residence Resale / BST Residence Retail CLEC Business Resale / BST Business Retail CLEC Non-UNE Design / BST Design Interconnection Trunks-CLEC / Interconnection Trunks –BST UNES-(See Appendix D)</p> | |

Revision Date: 02/24/00 (taf)

PROVISIONING

| | |
|--|--|
| Report/Measurement: | |
| P-2. Average Jeopardy Notice Interval & Percentage of Orders Given Jeopardy Notices | |
| Definition: | |
| When BST can determine in advance that a committed due date is in jeopardy, it will provide advance notice to the CLEC. | |
| Exclusions: | |
| <ul style="list-style-type: none"> • Orders held for CLEC end user reasons • Orders submitted to BST through non-mechanized methods | |
| Business Rules: | |
| When BST can determine in advance that a committed due date is in jeopardy it will provide advance notice to the CLEC. The number of committed orders in a report period is the number of orders that have a due date in the reporting period. | |
| Calculation: | |
| Average Jeopardy Interval = $\Sigma [(\text{Date and Time of Scheduled Due Date on Service Order}) - (\text{Date and Time of Jeopardy Notice})] / [\text{Number of Orders Notified of Jeopardy in Reporting Period}]$ Percent of Orders Given Jeopardy Notice = $\Sigma [(\text{Number of Orders Given Jeopardy Notices in Reporting Period}) / (\text{Number of Orders Confirmed (due) in Reporting Period})]$ | |
| Report Structure: | |
| <ul style="list-style-type: none"> • CLEC Specific • CLEC Aggregate • BST Aggregate | |
| Data Retained Relating to CLEC Experience | Data Retained Relating to BST Experience |
| <ul style="list-style-type: none"> • Report Month • CLEC Order Number and PON • Date and Time Jeopardy Notice sent • Committed Due Date • Service Type | <ul style="list-style-type: none"> • Report Month • BST Order Number • Date and Time Jeopardy Notice sent • Committed Due Date • Service type |
| NOTE: Code in parentheses is the corresponding header found in the raw data file. | |
| Retail Analog/Benchmark: | |
| 95% > = 24 hours | |

Revision Date: 01/05/00 (taf)

PROVISIONING

| | |
|--|--|
| Report/Measurement: | |
| P-3. Percent Missed Installation Appointments | |
| Definition: | |
| “Percent missed installation appointments” monitors the reliability of BST commitments with respect to committed due dates to assure that CLECs can reliably quote expected due dates to their retail customer as compared to BST. | |
| Exclusions: | |
| <ul style="list-style-type: none"> • Canceled Service Orders • Order Activities of BST or the CLEC associated with internal or administrative use of local services (Record Orders, Test Orders, etc.) • Disconnect (D) & From (F) orders • End User Misses on Interconnection Trunks | |
| Business Rules: | |
| Percent Missed Installation Appointments is the percentage of total orders processed for which BST is unable to complete the service orders on the confirmed due dates. Missed Appointments caused by end-user reasons will be included and reported separately. A business day is any time period within the same date frame, which means there cannot be a cutoff time for commitments as certain types of orders are requested to be worked after standard business hours. Also, during Daylight Savings Time, field technicians are scheduled until 9PM in some areas and the customer is offered a greater range of intervals from which to select. | |
| Calculation: | |
| Percent Missed Installation Appointments = Σ (Number of Orders Not Complete by Committed Due Date in Reporting Period) / (Number of Orders Confirmed in Reporting Period) X 100 | |
| Report Structure: | |
| <ul style="list-style-type: none"> • CLEC Specific • CLEC Aggregate • BST Aggregate <p>Report explanation: The difference between End User MA and Total MA is the result of BST caused misses. Here, Total MA is the total % of orders missed either by BST or CLEC end user. The End User MA represents the percentage of orders missed by the CLEC or their end user.</p> | |
| Level of Disaggregation: | |
| <ul style="list-style-type: none"> • Reported in categories of <10 lines/circuits; > = 10 lines/circuits • Dispatch/No Dispatch | |
| Data Retained Relating to CLEC Experience | Data Retained Relating to BST Experience |
| <ul style="list-style-type: none"> • Report Month • CLEC Order Number and PON (PON) • Committed Due Date (DD) • Completion Date (CMPLTN DD) • Status Type • Status Notice Date • Standard Order Activity • Geographic Scope | <ul style="list-style-type: none"> • Report Month • BST Order Number • Committed Due Date (DD) • Completion Date (CMPLTN DD) • Status Type • Status Notice Date • Standard Order Activity • Geographic Scope |
| NOTE: Code in parentheses is the corresponding header found in the raw data file. | |
| Retail Analog/Benchmark: | |
| CLEC Residence Resale / BST Residence Retail CLEC Business Resale / BST Business Retail CLEC Non-UNE Design / BST Design Interconnection Trunks-CLEC / Interconnection Trunks –BST UNEs-(See Appendix D) | |

Revision Date: 02/28/00 (taf)

PROVISIONING

| |
|---|
| Report/Measurement : |
| P-4. Average Completion Interval (OCI) & Order Completion Interval Distribution |
| Definition: |
| The “average completion interval” measure monitors the interval of time it takes BST to provide service for the CLEC or its’ own customers. The “Order Completion Interval Distribution” provides the percentage of orders completed within certain time periods. |
| Exclusions: |
| <ul style="list-style-type: none"> • Canceled Service Orders • Order Activities of BST or the CLEC associated with internal or administrative use of local services (Record Orders, Test Orders, etc.) • D (Disconnect) and F (From) orders. (From is disconnect side of a move order when the customer moves to a new address). • “L” Appointment coded orders (where the customer has requested a later than offered interval) |
| Business Rules: |
| The actual completion interval is determined for each order processed during the reporting period. The completion interval is the elapsed time from when BST issues a FOC or SOCS date time stamp receipt of an order from the CLEC to BST’s actual order completion date. The clock starts when a valid order number is assigned by SOCS and stops when the technician or system completes the order in SOCS. Elapsed time for each order is accumulated for each reporting dimension. The accumulated time for each reporting dimension is then divided by the associated total number of orders completed. |
| The interval breakout for UNE and Design is: 0-5 = 0-4.99, 5-10 = 5-9.99, 10-15 = 10-14.99, 15-20 = 15-19.99 20-25 = 20-24.99, 25-30 = 25-29.99, >=30 = 30 and greater. |
| Calculation : |
| Average Completion Interval: $S [(\text{Completion Date \& Time}) - (\text{Order Issue Date \& Time})] / S (\text{Count of Orders Completed in Reporting period})$ |
| Order Completion Interval Distribution: $S (\text{Service Orders Completed in “X” days}) / (\text{Total Service Orders Completed in Reporting Period}) \times 100$ |
| Report Structure: |
| <ul style="list-style-type: none"> • CLEC Specific • CLEC Aggregate • BST Aggregate |
| Level of Disaggregation: |
| <ul style="list-style-type: none"> • ISDN Orders included in Non Design - GA Only • Dispatch/No Dispatch categories applicable to all levels except trunks. • Residence & Business reported in day intervals = 0,1,2,3,4, 5, 5+ • UNE and Design reported in day intervals = 0-5, 5-10, 10-15, 15-20, 20-25, 25-30, >=30 • All Levels are reported <10 line/circuits; >=10 line/circuits |

PROVISIONING –
(Average Completion Interval (OCI) & Order Completion Interval Distribution – Continued)

| Data Retained Relating to CLEC Experience | Data Retained Relating to BST Experience |
|---|--|
| <ul style="list-style-type: none"> • Report Month • CLEC Company Name • Order Number (PON) • Submission Date & Time (TICKET_ID) • Completion Date (CMPLTN_DT) • Service Type (CLASS_SVC_DESC) • Geographic Scope <p>NOTE: Code in parentheses is the corresponding header found in the raw data file.</p> | <ul style="list-style-type: none"> • Report Month • BST Order Number • Order Submission Date & Time • Order Completion Date & Time • Service Type • Geographic Scope |
| <p>Retail Analog/Benchmark</p> <p>CLEC Residence Resale / BST Residence Retail CLEC Business Resale / BST Business Retail CLEC Non-UNE Design / BST Design Interconnection Trunks-CLEC / Interconnection Trunks-BST UNEs-(See Appendix D)</p> | |

Revision Date: 02/28/00 (taf)

PROVISIONING

| | |
|---|---|
| Report/Measurement: | |
| P-5. Average Completion Notice Interval | |
| Definition: | |
| The Completion Notice Interval is the elapsed time between the BST reported completion of work and the issuance of a valid completion notice to the CLEC. | |
| Exclusions: | |
| <ul style="list-style-type: none"> • Non-mechanized Orders • Cancelled Service Orders • Order Activities of BST associated with internal or administrative use of local services • D & F orders | |
| Business Rules: | |
| Measurement of interval of completion date and time by a field technician on dispatched orders, and 5PM start time on the due date for non-dispatched orders; to the release of a notice to the CLEC/BST of the completion status. The field technician notifies the CLEC the work was complete and then he enters the completion time stamp information in his computer. This information switches through to the SOCS systems either completing the order or rejecting the order to the Work Management Center (WMC). If the completion is rejected, it is manually corrected and then completed by the WMC. The notice is returned on each individual order submitted and as the notice is sent electronically, it can only be switched to those orders that were submitted by the CLEC electronically. The start time is the completion stamp either by the field technician or the 5PM due date stamp; the end time is the time stamp the notice was submitted to the CLEC/BST system. | |
| Calculation: | |
| Σ (Date and Time of Notice of Completion) – (Date and Time of Work Completion) / (Number of Orders Completed in Reporting Period) | |
| Report Structure: | |
| <ul style="list-style-type: none"> • CLEC Specific • CLEC Aggregate • BST Aggregate | |
| Level of Disaggregation: | |
| <ul style="list-style-type: none"> • Reporting intervals in Hours: 0-1, 1-2, 2-4, 4-8, 8-12, 12-24, > 24, plus Overall Average Hour Interval • Reported in categories of <10 line/circuits; >= 10 line/circuits | |
| Data Retained Relating to CLEC Experience | Data Retained Relating to BST Experience |
| <ul style="list-style-type: none"> • Report Month • CLEC Order Number • Work Completion Date • Work Completion Time • Completion Notice Availability Date • Completion Notice Availability Time • Service Type • Activity Type • Geographic Scope | <ul style="list-style-type: none"> • Report Month • BST Order Number • Work Completion Date • Work Completion Time • Completion Notice Availability Date • Completion Notice Availability Time • Service Type • Activity Type • Geographic Scope |
| NOTE: Code in parentheses is the corresponding header found in the raw data file. | NOTE: Code in parentheses is the corresponding header found in the raw data file. |
| Retail Analog/Benchmark: | |
| CLEC Residence Resale / BST Residence Retail CLEC Business Resale / BST Business Retail CLEC Non-UNE Design / BST Design Interconnection Trunks-CLEC / Interconnection Trunks-BST UNEs – (See Appendix D) | |

Revision Date 02/24/00 (taf)

PROVISIONING

| | |
|--|--|
| Report/Measurement: | |
| P-6. Coordinated Customer Conversions | |
| Definition: | |
| This category measures the average time it takes BST to disconnect an unbundled loop from the BST switch and cross connect it to a CLEC's equipment. This measurement applies to service orders with and without INP, and where the CLEC has requested BST to provide a coordinated cutover. | |
| Exclusions: | |
| <ul style="list-style-type: none"> • Any order canceled by the CLEC will be excluded from this measurement. • Delays due to CLEC following disconnection of the unbundled loop • Unbundled Loops where there is no existing subscriber loop and loops where coordination is not requested. | |
| Business Rules: | |
| Where the service order includes INP, the interval includes the total time for the cutover including the translation time to place the line back in service on the ported line. The interval is calculated for the entire cutover time for the service order and then divided by items worked in that time to give the average per item interval for each service order. | |
| Calculation: | |
| $\frac{\sum [(Completion\ Date\ and\ Time\ for\ Cross\ Connection\ of\ an\ Coordinated\ Unbundled\ Loop) - (Disconnection\ Date\ and\ Time\ of\ an\ Coordinated\ Unbundled\ Loop)]}{Total\ Number\ of\ Unbundled\ Loop\ with\ Coordinated\ Conversions\ (items)\ for\ the\ reporting\ period.}$ | |
| Report Structure: | |
| <ul style="list-style-type: none"> • CLEC Specific • CLEC Aggregate | |
| Level of Disaggregation: | |
| Reported in intervals <=5 minutes; >5,<=15 minutes; >15 minutes, plus Overall Average interval | |
| Data Retained Relating to CLEC Experience | Data Retained Relating to BST Experience |
| <ul style="list-style-type: none"> • Report Month • CLEC Order Number • Committed Due Date (DD) • Service Type (CLASS_SVC_DESC) • Cutover Start Time • Cutover Completion time • Portability start and completion times (INP orders) • Total Conversions (Items) <p>NOTE: Code in parentheses is the corresponding header found in the raw data file.</p> | <ul style="list-style-type: none"> • No BST Analog Exists |
| Retail Analog/Benchmark: | |
| There is no retail analog for this measurement because it measures cutting loops to the CLEC. Benchmark – See Appendix D | |

Revision Date: 02/28/00 (taf)

PROVISIONING

| | |
|--|--|
| Report/Measurement: | |
| P-7. % Provisioning Troubles within 30 days of Service Order Activity | |
| Definition: | |
| Percent Provisioning Troubles within 30 days of Installation measures the quality and accuracy of installation activities. | |
| Exclusions: | |
| <ul style="list-style-type: none"> • Canceled Service Orders • Order Activities of BST or the CLEC associated with internal or administrative use of local services (R Orders, Test Orders, etc.) • D & F orders | |
| Business Rules: | |
| Measures the quality and accuracy of completed orders. The first trouble report from a service order after completion is counted in this measure. Subsequent trouble reports are measured in Repeat Report Rate. Reports are calculated searching in the prior report period for completed service orders and following 30 days after completion for a trouble report. | |
| D & F orders are excluded as there is no subsequent activity following a disconnect. | |
| Calculation: | |
| $\% \text{ Provisioning Troubles within 30 days of Service Order Activity} = \frac{\Sigma (\text{Trouble reports on all completed orders} \leq 30 \text{ days following service order(s) completion})}{(\text{All Service Orders completed in the report calendar month})} \times 100$ | |
| Report Structure: | |
| <ul style="list-style-type: none"> • CLEC Specific • CLEC Aggregate • BST Aggregate | |
| Level of Disaggregation: | |
| <ul style="list-style-type: none"> • Reported in categories of <10 line/circuits; >= 10 line/circuits • Dispatch / No Dispatch | |
| Data Retained Relating to CLEC Experience | Data Retained Relating to BST Experience |
| <ul style="list-style-type: none"> • Report Month • CLEC Order Number and PON • Order Submission Date(TICKET_ID) • Order Submission Time (TICKET_ID) • Status Type • Status Notice Date • Standard Order Activity • Geographic Scope | <ul style="list-style-type: none"> • Report Month • BST Order Number • Order Submission Date • Order Submission Time • Status Type • Status Notice Date • Standard Order Activity • Geographic Scope |
| NOTE: Code in parentheses is the corresponding header found in the raw data file. | |
| Retail Analog/Benchmark: | |
| CLEC Residence Resale / BST Residence Retail CLEC Business Resale / BST Business Retail CLEC Non-UNE_Design / BST Design Interconnection Trunks-CLEC / Interconnection Trunks –BST UNEs-(See Appendix D) | |

Revision Date: 02/28/00 (taf)

PROVISIONING

| | |
|--|--|
| Report/Measurement : | |
| P-8. Total Service Order Cycle Time (TSOCT) | |
| Definition: | |
| This report measures the total service order cycle time from receipt of a valid service order request to the completion of the service order. | |
| Exclusions: | |
| <ul style="list-style-type: none"> • Canceled Service Orders • Order Activities of BST or the CLEC associated with internal or administrative use of local services (Record Orders, Test Orders, etc.) • D (Disconnect) and F (From) orders. (From is disconnect side of a move order when the customer moves to a new address). • “L” Appointment coded orders (where the customer has requested a later than offered interval) • Orders with CLEC/Subscriber caused delays or CLEC/Subscriber requested due date changes. | |
| Business Rules: | |
| <p>The interval is determined for each order processed during the reporting period. This measurement combines two reports: FOC (Firm Order Confirmation) with Average Order Completion Interval.</p> <p>This interval starts with the receipt of a valid service order request and stops when the technician or system completes the order in SOCS. Elapsed time for each order is accumulated for each reporting dimension. The accumulated time for each reporting dimension is then divided by the associated total number of orders completed.</p> | |
| Calculation : | |
| <p>Total Service Order Cycle Time</p> $\frac{\Sigma(\text{Date and Time of Service Request Receipt}) - (\text{Completion Date and Time of Service Order}) (\text{SOCS HIST-CD DATE})}{(\text{Count of Orders Completed in Reporting Period})}$ | |
| Report Structure: | |
| <ul style="list-style-type: none"> • CLEC Specific • CLEC Aggregate • BST Aggregate | |
| Level of Disaggregation: | |
| <ul style="list-style-type: none"> • Reported in categories of < 10 line/circuits; > = 10 line/circuits • Dispatch/No Dispatch categories applicable to all levels except trunks. • Intervals 0-5, 5-10, 10-15, 15-20, 20-25, 25-30, > = 30 Days | |
| Data Retained Relating to CLEC Experience | Data Retained Relating to BST Experience |
| <ul style="list-style-type: none"> • Report Month • Interval for FOC • CLEC Company Name • Order Number (PON) • Submission Date & Time (TICKET_ID) • Completion Date (CMPLTN_DT) • Service Type (CLASS_SVC_DESC) • Geographic Scope <p>NOTE: Code in parentheses is the corresponding header found in the raw data file.</p> | <ul style="list-style-type: none"> • Report Month • BST Order Number • Order Submission Date & Time • Order Completion Date & Time • Service Type • Geographic Scope |
| Retail Analog/Benchmark | |
| See Appendix D | |

Revision Date: 02/28/00 (taf)

PROVISIONING

| | |
|---|---|
| Report/Measurement: | |
| P-9. Service Order Accuracy <u>GEORGIA ONLY</u> | |
| Definition: | |
| The “service order accuracy” measurement measures the accuracy and completeness of BST service orders by comparing what was ordered and what was completed. | |
| Exclusions: | |
| <ul style="list-style-type: none"> • Cancelled Service Orders • Order Activities of BST associated with internal or administrative use of local services • & F orders | |
| Business Rules: | |
| A manual sampling of service orders, completed during a monthly reporting period, is compared to the original account profile and the order that the CLEC sent to BST. An order is “completed without error” if all service attributes and account detail changes (as determined by comparing the original order) completely and accurately reflect the activity specified on the original order and any supplemental CLEC order. | |
| Calculation: | |
| Percent Service Order Accuracy = Σ (Orders Completed without Error) / Σ (Orders Completed in Reporting Period) x 100 | |
| Report Structure: | |
| CLEC Aggregate | |
| Level of Disaggregation: | |
| <ul style="list-style-type: none"> • Reported in categories of <10 line/circuits; > = 10 line/circuits • Dispatch / No Dispatch | |
| Data Retained Relating to CLEC Experience | Data Retained Relating to BST Experience |
| <ul style="list-style-type: none"> • Report Month • CLEC Order Number and PON • Local Service Request (LSR) • Order Submission Date • Committed Due Date • Service Type • Standard Order Activity | <ul style="list-style-type: none"> • Being investigated at this time |
| NOTE: Code in parentheses is the corresponding header found in the raw data file. | |
| Retail Analog/Benchmark: (Under Investigation) | |

Revision Date: 01/05/00 (taf)

PROVISIONING

| |
|--|
| Report/Measurement: |
| LNP – 10. Percent Missed Installation Appointments |
| Definition: |
| Percent Missed Installation Appointments monitors the reliability of BST commitments with respect to committed due dates to assure that CLECs can reliably quote expected due dates to their retail customer as compared to BST. |
| Exclusions: |
| <ul style="list-style-type: none"> • Canceled Service Orders • Order Activities of BST or the CLEC associated with internal or administrative use of local services (Record Orders, Test Orders, etc.) where identifiable. |
| Business Rules: |
| Percent Missed Installation Appointments (PMI) is the percentage of total orders processed for which BST is unable to complete the service orders on the committed due dates. Missed Appointments caused by end-user reasons will be included and reported in a separate category. A business day is any time period within the same date frame, which means there cannot be a cutoff time for commitments as certain types of orders are requested to be worked after standard business hours. Also, during Daylight Savings Time, field technicians are scheduled until 9PM in some areas and the customer is offered a greater range of intervals from which to select. |
| Calculation: |
| <p>Percent Missed Installation Appointments: [(Number of Orders Not Completed by Committed Due Date in Reporting Period) / (Number of Orders Completed in Reporting Period)] X 100</p> |
| Report Structure: |
| <ul style="list-style-type: none"> • Mechanized (service orders generated by LSRs submitted via EDI or TAG) • CLEC Specific • CLEC Aggregate <p>Report explanation: Total Missed Appointments is the total % of orders missed either by BST or the CLEC end user. End User MA represents the percentage of orders missed by the CLEC end user. The difference between End User Missed Appointments and Total Missed Appointments is the result of BST caused misses.</p> |
| Level of Disaggregation: |
| <ul style="list-style-type: none"> • Product Reporting Levels <ul style="list-style-type: none"> ➢ LNP ➢ UNE Loop Associated w/LNP • Geographic Scope <ul style="list-style-type: none"> ➢ State, Region |
| Retail Analog/Benchmark: |
| See Appendix D |

Revision Date: 02/16/00 (taf)

PROVISIONING – (LNP)

| |
|--|
| Report/Measurement : |
| LNP-11. Average Disconnect Timeliness Interval & Disconnect Timeliness Interval Distribution |
| Definition: |
| Disconnect Timeliness is defined as the interval between the time the LNP Gateway receives the ‘Number Ported’ message from NPAC (signifying the CLEC ‘Activate’) until the time that the Disconnect service order for an LSR is completed in SOCS. This interval effectively measures BST responsiveness by isolating it from impacts that are caused by CLEC related activities. |
| Exclusions: |
| <ul style="list-style-type: none"> • Canceled Service Orders • Order Activities of BST or the CLEC associated with internal or administrative use of local services (Record Orders, Test Orders, etc.) where identifiable. |
| Business Rules: |
| The Disconnect Timeliness interval is determined for the last Disconnect service order processed on an LSR during the reporting period. The Disconnect Timeliness interval is the elapsed time from when BST receives the last ‘Number Ported’ message for an LSR from NPAC (signifying the CLEC ‘Activate’) until the last Disconnect service order is completed in SOCS. Elapsed time for each order is accumulated for each reporting dimension. The accumulated time for each reporting dimension is then divided by the total number of selected disconnect orders which have been completed. |
| Calculation : |
| <p>Average Disconnect Timeliness Interval: $\frac{\Sigma [(\text{Disconnect Service Order Completion Date \& Time}) - (\text{‘Number Ported’ Message Received Date \& Time})]}{S}$ (Total Number of Disconnect Service Orders Completed in Reporting Period)</p> <p>Disconnect Timeliness Interval Distribution: $[S (\text{Disconnect Service Orders Completed in ‘X’ days}) / (\text{Total Disconnect Service Orders Completed in Reporting Period})] \times 100$</p> |
| Report Structure: |
| <ul style="list-style-type: none"> • Mechanized (service orders generated by LSRs submitted via EDI or TAG) • CLEC Specific • CLEC Aggregate |
| Level of Disaggregation: |
| <ul style="list-style-type: none"> • Reported in day intervals = 0,1,2,3,4, 5, >5 days • Product Reporting Levels <ul style="list-style-type: none"> ➢LNP • Geographic Scope <ul style="list-style-type: none"> ➢State, Region |
| Retail Analog/Benchmark: |
| See Appendix D |

Revision Date: 02/16/00 (taf)

PROVISIONING

| |
|---|
| Report/Measurement : |
| LNP-12. Total Service Order Cycle Time |
| Definition: |
| Total Service Order Cycle Time measures the interval from receipt of a valid service order request to the completion of the final service order associated with that service request. |
| Exclusions: |
| <ul style="list-style-type: none"> • Canceled Service Orders • Order Activities of BST or the CLEC associated with internal or administrative use of local services (Record Orders, Test Orders, etc.) where identifiable • “L” appointment coded orders (indicating the customer has requested a later than offered interval) • ”S” missed appointment coded orders (indicating subscriber missed reasons), except for “SP” codes (indicating subscriber prior due date requested). |
| Business Rules: |
| <p>The interval is determined for each service request processed during the reporting period. This measurement combines two reports: FOC (Firm Order Confirmation) with Average Order Completion Interval.</p> <p>This interval starts with the receipt of a valid service request and stops when the technician or system completes all the related service orders for the LSR in SOCS. Elapsed time for each service request is accumulated for each reporting dimension. The accumulated time for each reporting dimension is then divided by the associated total number of service requests completed to produce the total service order cycle time.</p> |
| Calculation : |
| <p>Average Total Service Order Cycle Time: $\Sigma [(\text{Service Order Completion Date \& Time}) - (\text{Service Request Receipt Date \& Time})] / S \text{ (Total Number Service Requests Completed in Reporting Period)}$</p> <p>Total Service Order Cycle Time Interval Distribution: $[S \text{ (Total Number of Service Requests Completed in "X" minutes/hours)} / (\text{Total Number of Service Requests Received in Reporting Period})] \times 100$</p> |
| Report Structure: |
| <ul style="list-style-type: none"> • Mechanized (service orders generated by LSRs submitted via EDI or TAG) • CLEC Specific • CLEC Aggregate • “W” Appointment Code Only (Company Offered) |
| Level of Disaggregation: |
| <ul style="list-style-type: none"> • Reported in day intervals 0 - 5, 5 - 10, 10 - 15, 15 - 20, 20 - 25, 25 - 30, >30 days • Product Reporting Levels <ul style="list-style-type: none"> ➢ LNP ➢ UNE Loop with LNP • Geographic Scope <ul style="list-style-type: none"> ➢ State, Region |
| Retail Analog/Benchmark: |
| See Appendix D |

Revision Date: 02/16/00

(taf)

Maintenance and Repair Level of Disaggregation

Product Reporting Levels

- Resale / Retail
 - Pots – Residence
 - Pots – Business
 - PBX (Louisiana SQM)
 - ESSX (Louisiana SQM)
 - CENTREX (Louisiana SQM)
 - ISDN (Louisiana SQM) (**NOTE:** ISDN Troubles included in Non-Design Georgia Only)
 - Design

- Unbundled Network Elements
 - UNE Design
 - UNE Non – Design
 - UNE 2 Wire Loop (Louisiana SQM)
 - UNE Loop Other (Louisiana SQM)
 - Unbundled Ports (Louisiana SQM)
 - UNE Other Non – Design (Louisiana SQM)

- Trunks
 - Local Interconnection Trunks

- Dispatch/No Dispatch categories applicable to all product levels

- Geographic Scope
 - State, Region and further geographic disaggregation as required by State Commission Order (e.g. Metropolitan Service Area – MSA)

MAINTENANCE & REPAIR

| | |
|---|--|
| Report/Measurement: | |
| M&R-1. Missed Repair Appointments | |
| Definition: | |
| The percent of trouble reports not cleared by the committed date and time. | |
| Exclusions: | |
| <ul style="list-style-type: none"> • Trouble tickets canceled at the CLEC request. • BST trouble reports associated with internal or administrative service. • Customer Provided Equipment (CPE) troubles or CLEC Equipment Trouble. | |
| Business Rules: | |
| The negotiated commitment date and time is established when the repair report is received. The cleared time is the date and time that BST personnel clear the trouble and closes the trouble report in his Computer Access Terminal (CAT) or workstation. If this is after the Commitment time, the report is flagged as a “Missed Commitment” or a missed repair appointment. When the data for this measure is collected for BST and a CLEC, it can be used to compare the percentage of the time repair appointments are missed due to BST reasons. Note: Appointment intervals vary with force availability in the POTS environment. Specials and Trunk intervals are standard interval appointments of no greater than 24 hours. | |
| Calculation: | |
| Percentage of Missed Repair Appointments = S (Count of Customer Troubles Not Cleared by the Quoted Commitment Date and Time) / S (Total Trouble reports closed in Reporting Period) X 100 | |
| Report Structure: | |
| <ul style="list-style-type: none"> • CLEC Specific • CLEC Aggregate • BST Aggregate | |
| Data Retained Relating to CLEC Experience | Data Retained Relating to BST Experience |
| <ul style="list-style-type: none"> • Report Month • CLEC Company Name • Submission Date & Time (TICKET_ID) • Completion Date (CMPLTN_DT) • Service Type (CLASS_SVC_DESC) • Disposition and Cause (CAUSE_CD & CAUSE_DESC) • Geographic Scope | <ul style="list-style-type: none"> • Report Month • BST Company Code • Submission Date & Time • Completion Date • Service Type • Disposition and Cause (Non-Design /Non-Special Only) • Trouble Code (Design and Trunking Services) • Geographic Scope |
| NOTE: Code in parentheses is the corresponding header found in the raw data file. | |
| Retail Analog/Benchmark | |
| CLEC Residence-Resale / BST Residence-Retail CLEC Business-Resale / BST Business-Retail CLEC Design-Resale / BST Design-Retail CLEC PBX, Centrex, and ISDN Resale/ BST PBX, Centrex, and ISDN Retail CLEC Trunking-Resale / BST Trunking-Retail UNEs – (See Appendix D) | |

Revision Date: 02/22/00 (see)

MAINTENANCE & REPAIR

| | |
|--|---|
| Report/Measurement: | |
| M&R-2. Customer Trouble Report Rate | |
| Definition: | |
| Initial and repeated customer direct or referred troubles reported within a calendar month per 100 lines/ circuits in service. | |
| Exclusions: | |
| <ul style="list-style-type: none"> • Trouble tickets canceled at the CLEC request. • BST trouble reports associated with administrative service. • Customer provided Equipment (CPE) troubles or CLEC equipment troubles. | |
| Business Rules: | |
| Customer Trouble Report Rate is computed by accumulating the number of maintenance initial and repeated trouble reports during the reporting period. The resulting number of trouble reports are divided by the total “number of service” lines, ports or combination that exist for the CLEC’s and BST respectively at the end of the report month. | |
| Calculation: | |
| Customer Trouble Report Rate = (Count of Initial and Repeated Trouble Reports in the Current Period) / (Number of Service Access Lines in service at End of the Report Period) X 100 | |
| Report Structure: | |
| <ul style="list-style-type: none"> • CLEC Specific • CLEC Aggregate • BST Aggregate | |
| Data Retained Relating to CLEC Experience | Data Retained Relating to BST Experience |
| <ul style="list-style-type: none"> • Report Month • CLEC Company Name • Ticket Submission Date & Time (TICKET_ID) • Ticket Completion Date (CMPLTN_DT) • Service Type (CLASS_SVC_DESC) • Disposition and Cause (CAUSE_CD & CAUSE_DESC) • # Service Access Lines in Service at the end of period • Geographic Scope | <ul style="list-style-type: none"> • Report Month • BST Company Code • Ticket Submission Date & Time • Ticket Completion Date • Service Type • Disposition and Cause (Non-Design / Non-Special Only) • Trouble Code (Design and Trunking Services) • # Service Access Lines in Service at the end of period • Geographic Scope |
| NOTE: Code in parentheses is the corresponding header found in the raw data file. | |
| Retail Analog/Benchmark: | |
| CLEC Residence-Resale / BST Residence -Retail CLEC Business-Resale / BST Business-Retail CLEC Design-Resale / BST Design-Retail CLEC PBX, Centrex and ISDN Resale/ BST PBX, Centrex, and ISDN Retail CLEC Trunking-Resale / BST Trunking-Retail UNEs – (See Appendix D) | |

Revision Date: 02/22/00 (see)

MAINTENANCE & REPAIR

| | |
|--|---|
| Report/Measurement: | |
| M&R-3. Maintenance Average Duration | |
| Definition: | |
| The Average duration of Customer Trouble Reports from the receipt of the Customer Trouble Report to the time the trouble report is cleared. | |
| Exclusions: | |
| <ul style="list-style-type: none"> • Trouble reports canceled at the CLEC request • BST trouble reports associated with administrative service • Customer Provided Equipment (CPE) troubles or CLEC Equipment Troubles. • Trouble reports greater than 10 days | |
| Business Rules: | |
| For Average Duration the clock starts on the date and time of the receipt of a correct repair request. The clock stops on the date and time the service is restored and the customer notified (when the technician completes the trouble ticket on his/her CAT or work system). | |
| NOTE: Customer can be BST or CLEC | |
| Calculation: | |
| Maintenance Average Duration = S(Date and Time of Service Restoration) – (Date and Time Trouble Ticket was Opened) / S(Total Closed Troubles in the reporting period) | |
| Report Structure: | |
| <ul style="list-style-type: none"> • CLEC Specific • BST Aggregate • CLEC Aggregate | |
| Data Retained Relating to CLEC Experience | Data Retained Relating to BST Experience |
| <ul style="list-style-type: none"> • Report Month • Total Tickets (LINE_NBR) • CLEC Company Name • Ticket Submission Date & Time (TIME_ID) • Ticket Completion Date (CMPLTN_DT) • Service Type (CLASS_SVC_DESC) • Disposition and Cause (CAUSE_CD & CAUSE_DESC) • Geographic Scope | <ul style="list-style-type: none"> • Report Month • Total Tickets • BST Company Code • Ticket Submission Date • Ticket submission Time • Ticket completion Date • Ticket Completion Time • Total Duration Time • Service Type • Disposition and Cause (Non – Design /Non-Special Only) • Trouble Code (Design and Trunking Services) • Geographic Scope |
| NOTE: Code in parentheses is the corresponding header found in the raw data file. | |
| Retail Analog/Benchmark: | |
| CLEC Residence-Resale / BST Residence-Resale CLEC Business-Resale / BST Business-Retail CLEC Design-Resale / BST Design-Retail CLEC PBX, Centrex and ISDN Resale / BST PBX, Centrex and ISDN Retail CLEC Trunking-Resale /BST Trunking-Retail UNEs – (See Appendix D) | |

Revision Date: 02/22/00 (see)

MAINTENANCE & REPAIR

| | |
|---|--|
| Report/Measurement: | |
| M&R-4. Percent Repeat Troubles within 30 Days | |
| Definition: | |
| Trouble reports on the same line/circuit as a previous trouble report received within 30 calendar days as a percent of total troubles reported. | |
| Exclusions: | |
| <ul style="list-style-type: none"> • Trouble Reports canceled at the CLEC request • BST Trouble Reports associated with administrative service • Customer Provided Equipment (CPE) Troubles or CLEC Equipment Troubles. | |
| Business Rules: | |
| Includes Customer trouble reports received within 30 days of an original Customer trouble report. | |
| Calculation: | |
| Percent Repeat Troubles within 30 Days = (Count of Customer Troubles where more than one trouble report was logged for the same service line within a continuous 30 days) / (Total Trouble Reports Closed in Reporting Period) X 100 | |
| Report Structure: | |
| <ul style="list-style-type: none"> • CLEC Specific • CLEC Aggregate • BST Aggregate | |
| Data Retained Relating to CLEC Experience | Data Retained Relating to BST Experience |
| <ul style="list-style-type: none"> • Report Month • Total Tickets (LINE_NBR) • CLEC Company Name • Ticket Submission Date & Time (TICKET_ID) • Ticket Completion Date (CMPLTN_DT) • Total and Percent Repeat Trouble Reports within 30 Days (TOT_REPEAT) • Service Type • Disposition and Cause (CAUSE_CD & CAUSE_DESC) • Geographic Scope <p>NOTE: Code parentheses is the corresponding header format found in the raw data file.</p> | <ul style="list-style-type: none"> • Report Month • Total Tickets • BST Company Code • Ticket Submission Date • Ticket Submission Time • Ticket Completion Date • Ticket Completion Time • Total and Percent Repeat Trouble Reports within 30 Days • Service Type • Disposition and Cause (Non – Design/Non-Special only) • Trouble Code (Design and Trunking Services) • Geographic Scope |
| Retail Analog/Benchmark: | |
| CLEC Residence-Resale / BST Residence-Retail CLEC Business- Resale / BST Business-Retail CLEC Design-Resale / BST Design-Retail CLEC PBX, Centrex and ISDN Resale / BST PBX, Centrex and ISDN Retail CLEC Trunking-Resale / BST Trunking-Retail UNEs – Retail Analog (See Appendix D) | |

Revision date: 02/22/00 (see)

MANTENANCE & REPAIR

| | |
|--|--|
| Report/Measurement: | |
| M&R-5. Out of Service (OOS) > 24 Hours | |
| Definition: | |
| For Out of Service Troubles (no dial tone, cannot be called or cannot call out) the percentage of troubles cleared in excess of 24 hours. (All design services are considered to be out of service). | |
| Exclusions: | |
| <ul style="list-style-type: none"> • Trouble Reports canceled at the CLEC request • BST Trouble Reports associated with administrative service • Customer Provided Equipment (CPE) Troubles or CLEC Equipment Troubles. | |
| Business Rules: | |
| Customer Trouble reports that are out of service and cleared in excess of 24 hours. The clock begins when the trouble report is created in LMOS and the trouble is counted if the time exceeds 24 hours. | |
| Calculation: | |
| Out of Service (OOS) > 24 hours = (Total Troubles OOS > 24 Hours) / Total OOS Troubles in Reporting Period) X 100 | |
| Report Structure: | |
| <ul style="list-style-type: none"> • CLEC Specific • BST Aggregate • CLEC Aggregate | |
| Data Retained Relating to CLEC Experience | Data Retained Relating to BST Experience |
| <ul style="list-style-type: none"> • Report Month • Total Tickets • CLEC Company Name • Ticket Submission Date & Time (TICKET_ID) • Ticket Completion Date (CMPLTN_DT) • Percentage of Customer Troubles out of Service > 24 Hours (OOS>24_FLAG) • Service type (CLASS_SVC_DESC) • Disposition and Cause (CAUSE_CD & CAUSE-DESC) • Geographic Scope | <ul style="list-style-type: none"> • Report Month • Total Tickets • BST Company Code • Ticket Submission Date • Ticket Submission time • Ticket Completion Date • Ticket Completion Time • Percent of Customer Troubles out of Service > 24 Hours • Service type • Disposition and Cause (Non – Design/Non-Special only) • Trouble Code (Design and Trunking Services) • Geographic Scope |
| NOTE: Code in parentheses is the corresponding header found in the raw data file. | |
| Retail Analog/Benchmark: | |
| CLEC Residence-Resale / BST Residence- Retail CLEC Business- Resale / BST Business-Retail CLEC Design-Resale / BST Design-Retail CLEC PBX, Centrex and ISDN Resale / BST PBX, Centrex and ISDN Retail CLEC Trunking-Resale /BST Trunking- Retail UNEs Retail Analog – (See Appendix D) | |

Revision Date: 02/22/00 (see)

MAINTENANCE & REPAIR

| | |
|--|---|
| Report/Measurement: | |
| M&R-6. Average Answer Time – Repair Centers | |
| Definition: | |
| This measures the average time a customers is in Que. | |
| Exclusions: | |
| None | |
| Business Rules: | |
| This measure is designed to measure the time required for CLEC & BST from the time of the ACD choice to the time of being answered. The clock starts when the CLEC Rep makes a choice to be put in queue for the next repair attendant and the clock stops when the repair attendant answers the call. | |
| (NOTE: The Column is a combined BST Residence and Business number) | |
| Level of Disaggregation: | |
| Region. CLEC/BST Service Centers and BST Repair Centers are regional. | |
| Calculation: | |
| Average Answer Time for BST’s Repair Centers = (Time BST Repair Attendant Answers Call) – (Time of entry into queue until ACD Selection) / (Total number of calls by reporting period) | |
| Report Structure: | |
| <ul style="list-style-type: none"> • CLEC Aggregate • BST Aggregate | |
| Data Retained Relating to CLEC Experience | Data Retained Relating to BST Experience |
| <ul style="list-style-type: none"> • CLEC Average Answer Time | <ul style="list-style-type: none"> • BST Average Answer Time |
| Retail Analog/Benchmark: | |
| For CLEC, Average Answer Times in UNE Center and BRMC are comparable to the Average Answer Times in the BST Repair Centers. See Appendix D | |

Revision Date: 02/22/00 (see)

BILLING

| | |
|--|--|
| Report/Measurement: | |
| B-1. Invoice Accuracy | |
| Definition: | |
| This measure provides the percentage of accuracy of the billing invoices rendered to CLECs during the current month. | |
| Exclusions: | |
| <ul style="list-style-type: none"> Adjustments not related to billing errors (e.g., credits for service outage, special promotion credits, adjustments to satisfy the customer) | |
| Business Rules: | |
| The accuracy of billing invoices delivered by BST to the CLEC must enable them to provide a degree of billing accuracy comparative to BST bills rendered to retail customers BST. CLECs request adjustments on bills determined to be incorrect. The BellSouth Billing verification process includes manually analyzing a sample of local bills from each bill period. The bill verification process draws from a mix of different customer billing options and types of service. An end-to-end auditing process is performed for new products and services. Internal measurements and controls are maintained on all billing processes. | |
| Calculation: | |
| $\text{Invoice Accuracy} = \frac{(\text{Total Billed Revenues during current month}) - (\text{Billing Related Adjustments during current month})}{\text{Total Billed Revenues during current month}} \times 100$ | |
| Report Structure: | |
| <ul style="list-style-type: none"> CLEC Specific CLEC Aggregate BST Aggregate | |
| Level of Disaggregation : | |
| <ul style="list-style-type: none"> Product / Invoice Type <ul style="list-style-type: none"> ➤ Resale ➤ UNE ➤ Interconnection Geographic Scope <ul style="list-style-type: none"> ➤ Region | |
| Data Retained Relating to CLEC Experience: | Data Retained Relating to BST Performance: |
| <ul style="list-style-type: none"> Report Month Invoice Type Total Billed Revenue Billing Related Adjustments | <ul style="list-style-type: none"> Report Month Retail Type <ul style="list-style-type: none"> ➤ CRIS ➤ CABS Total Billed Revenue Billing Related Adjustments |
| Retail Analog/Benchmark | |
| CLEC Invoice Accuracy is comparable to BST Invoice Accuracy See Appendix D | |

Revision Date: 02/28/00 (dg)

BILLING

| | |
|--|---|
| Report/Measurement: | |
| B-2. Mean Time to Deliver Invoices | |
| Definition: | |
| This measure provides the mean interval for billing invoices | |
| Exclusions: | |
| Any invoices rejected due to formatting or content errors. | |
| Business Rules: | |
| Measures the mean interval for timeliness of billing records delivered to CLECs in an agreed upon format. CRIS-based invoices are measured in business days, and CABS-based invoices in calendar days. | |
| Calculation: | |
| Mean Time To Deliver Invoices = $S_{[(Invoice\ Transmission\ Date) - (Close\ Date\ of\ Scheduled\ Bill\ Cycle)]} / (Count\ of\ Invoices\ Transmitted\ in\ Reporting\ Period)$ | |
| Report Structure: | |
| <ul style="list-style-type: none"> • CLEC Specific • CLEC Aggregate • BST Aggregate | |
| Level of Disaggregation: | |
| <ul style="list-style-type: none"> • Product / Invoice Type <ul style="list-style-type: none"> ➢ Resale ➢ UNE ➢ Interconnection • Geographic Scope <ul style="list-style-type: none"> ➢ Region | |
| Data Retained Relating to CLEC Experience: | Data Retained Relating to BST Performance: |
| <ul style="list-style-type: none"> • Report Month • Invoice Type • Invoice Transmission Count • Date of Scheduled Bill Close | <ul style="list-style-type: none"> • Report Month • Retail Type <ul style="list-style-type: none"> ➢ CRIS ➢ CABS • Invoice Transmission Count • Date of Scheduled Bill Close |
| Retail Analog/Benchmark: | |
| <p>CRIS-based invoices will be released for delivery within six (6) business days CABS-based invoices will be released for delivery within eight (8) calendar days. CLEC Average Delivery Intervals for both CRIS and CABS Invoices are comparable to BST Average delivery for both systems. See Appendix D</p> | |

Revision Date: 02/28/00 (dg)

BILLING

| | |
|--|---|
| Report/Measurement: | |
| B-3. Usage Data Delivery Accuracy | |
| Definition: | |
| This measurement captures the percentage of recorded usage that is delivered error free and in an acceptable format to the appropriate Competitive Local Exchange Carrier (CLEC). These percentages will provide the necessary data for use as a comparative measurement for BellSouth performance. This measurement captures Data Delivery Accuracy rather than the accuracy of the individual usage recording. | |
| Exclusions: | |
| None | |
| Business Rules: | |
| The accuracy of the data delivery of usage records delivered by BST to the CLEC must enable them to provide a degree of accuracy comparative to BST bills rendered to their retail customers. If errors are detected in the delivery process, they are investigated, evaluated and documented. Errors are corrected and the data retransmitted to the CLEC. | |
| Calculations: | |
| Usage Data Delivery Accuracy = $S[(\text{Total number of usage data packs sent during current month}) - (\text{Total number of usage data packs requiring retransmission during current month})] / (\text{Total number of usage data packs sent during current month}) \times 100$ | |
| Report Structure: | |
| <ul style="list-style-type: none"> • CLEC Specific • CLEC Aggregate • BST Aggregate | |
| Level of Disaggregation: | |
| <ul style="list-style-type: none"> • Geographic Scope <ul style="list-style-type: none"> ➢ Region | |
| Data Retained Relating to CLEC Experience: | Data Retained Relating to BST Performance: |
| <ul style="list-style-type: none"> • Report Month • Record Type <ul style="list-style-type: none"> ➢ BellSouth Recorded ➢ Non BellSouth Recorded | <ul style="list-style-type: none"> • Report Month • Record Type |
| Retail Analog/Benchmark: | |
| CLEC Usage Data Delivery Accuracy is comparable to BST Usage Data Delivery Accuracy See Appendix D | |

Revision Date: 02/28/00 (dg)

BILLING

| | |
|---|---|
| Report/Measurement: | |
| B-4. Usage Data Delivery Completeness | |
| Definition: | |
| This measurement provides percentage of complete and accurately recorded usage data (usage recorded by BellSouth and usage recorded by other companies and sent to BST for billing) that is processed and transmitted to the CLEC within thirty (30) days of the message recording date. A parity measure is also provided showing completeness of BST messages processed and transmitted via CMDS. BellSouth delivers its own retail usage from recording location to billing location via CMDS as well as delivering billing data to other companies. Timeliness, Completeness and Mean Time to Deliver Usage measures are reported on the same report. | |
| Exclusions: | |
| None | |
| Business Rules: | |
| The purpose of these measurements is to demonstrate the level of quality of usage data delivered to the appropriate CLEC. Method of delivery is at the option of the CLEC. | |
| Calculation: | |
| Usage Data Delivery Completeness = $S(\text{Total number of Recorded usage records delivered during the current month that are within thirty (30) days of the message recording date}) / S(\text{Total number of Recorded usage records delivered during the current month}) \times 100$ | |
| Report Structure | |
| <ul style="list-style-type: none"> • CLEC Specific • CLEC Aggregate • BST Aggregate | |
| Level of Disaggregation: | |
| <ul style="list-style-type: none"> • Geographic Scope <ul style="list-style-type: none"> ➢ Region | |
| Data Retained Relating to CLEC Experience: | Data Retained Relating to BST Performance: |
| <ul style="list-style-type: none"> • Report Month • Record Type <ul style="list-style-type: none"> ➢ BellSouth Recorded ➢ Non BellSouth Recorded | <ul style="list-style-type: none"> • Report Monthly • Record Type |
| Retail Analog/Benchmark: | |
| CLEC Usage Delivery Completeness is comparable to BST Usage Delivery Completeness See Appendix D | |

Revision Date: 02/28/00 (dg)

BILLING

| | |
|--|---|
| Report/Measurement: | |
| B-5. Usage Data Delivery Timeliness | |
| Definition: | |
| This measurement provides a percentage of recorded usage data (usage recorded by BST and usage recorded by other companies and sent to BST for billing) that is delivered to the appropriate CLEC within six (6) calendar days from the receipt of the initial recording. A parity measure is also provided showing timeliness of BST messages processed and transmitted via CMDS. Timeliness, Completeness and Mean Time to Deliver Usage measures are reported on the same report. | |
| Exclusions: | |
| None | |
| Business Rules: | |
| The purpose of this measurement is to demonstrate the level of timeliness for processing and transmission of usage data delivered to the appropriate CLEC. The usage data will be mechanically transmitted or mailed to the CLEC data processing center once daily. The Timeliness interval of usage recorded by other companies is measured from the date BST receives the records to the date BST distributes to the CLEC. Method of delivery is at the option of the CLEC. | |
| Calculation: | |
| Usage Data Delivery Timeliness = $S(\text{Total number of usage records sent within six (6) calendar days from initial recording/receipt}) / S(\text{Total number of usage records sent}) \times 100$ | |
| Report Structure: | |
| <ul style="list-style-type: none"> • CLEC Aggregate • CLEC Specific • BST Aggregate | |
| Level of Disaggregation: | |
| <ul style="list-style-type: none"> • Geographic Scope <ul style="list-style-type: none"> ➢ Region | |
| Data Retained Relating to CLEC Experience: | Data Retained Relating to BST Performance: |
| <ul style="list-style-type: none"> • Report Month • Record Type <ul style="list-style-type: none"> ➢ BellSouth Recorded ➢ Non-BellSouth Recorded | <ul style="list-style-type: none"> • Report Monthly • Record Type |
| Retail Analog/Benchmark: | |
| CLEC Usage Data Delivery Timeliness is comparable to BST Usage Data Delivery Timeliness See Appendix D | |

Revision date: 02/28/00 (dg)

BILLING

| | |
|--|---|
| Report/Measurement: | |
| B-6. Mean Time to Deliver Usage | |
| Definition: | |
| This measurement provides the average time it takes to deliver Usage Records to a CLEC. A parity measure is also provided showing timeliness of BST messages processed and transmitted via CMDS. Timeliness, Completeness and Mean Time to Deliver Usage measures are reported on the same report. | |
| Exclusions: | |
| None | |
| Business Rules: | |
| The purpose of this measurement is to demonstrate the average number of days it takes BST to deliver Usage data to the appropriate CLEC. Usage data is mechanically transmitted or mailed to the CLEC data processing center once daily. Method of delivery is at the option of the CLEC. | |
| Calculation: | |
| Mean Time to Deliver Usage = $S_{(Record\ volume\ X\ estimated\ number\ of\ days\ to\ deliver\ the\ Usage\ Record)} / total\ record\ volume$ | |
| Report Structure: | |
| <ul style="list-style-type: none"> • CLEC Aggregate • CLEC Specific • BST Aggregate | |
| Level of Disaggregation: | |
| <ul style="list-style-type: none"> • Geographic Scope <ul style="list-style-type: none"> ➢ Region | |
| Data Retained Relating to CLEC Experience: | Data Retained Relating to BST Performance: |
| <ul style="list-style-type: none"> • Report Month • Record Type <ul style="list-style-type: none"> ➢ BellSouth Recorded ➢ Non-BellSouth Recorded | <ul style="list-style-type: none"> • Report Monthly • Record Type |
| Retail Analog/Benchmark: | |
| Mean Time to Deliver Usage to CLEC is comparable to Mean Time to Deliver Usage to BST See Appendix D | |

Revision Date: 02/28/00 (dg)

OPERATOR SERVICES

| |
|--|
| Report/Measurement: |
| OS-1. Speed to Answer Performance/Average Speed to Answer – Toll |
| Definition: |
| Measurement of the average time in seconds calls wait before answered by a toll operator. |
| Exclusions: |
| Calls abandoned by customers are not reflected in the average speed to answer but are reflected in the conversion tables where the percent answered within “X” seconds is determined. |
| Business Rules: |
| The call waiting measurement scan starts when the customer enters the queue and ends when a BST representative answers the call. The average speed to answer is determined by measuring and accumulating the seconds of wait time from the entry of a customer into the BST call management system queue until the customer is transferred to a BST representative. No distinction is made between CLEC customers and BST customers. |
| Calculation: |
| The Average Speed to Answer for toll is calculated by using data from monthly system measurement reports taken from the centralized call routing switches. The “total call waiting seconds” is a sub-component of this measure which BST systems calculate by monitoring the number of calls in queue throughout the day multiplied by the time (in seconds) between monitoring events. The “total calls served” is the other sub-component of this measure, which BST systems record as the total number of calls handled by Operator Services toll centers. Since calls abandoned are not reflected in the calculation, the percent answered within the required timeframe is determined by using conversion tables with input for the abandonment rate. |
| Report Structure: |
| <ul style="list-style-type: none"> • Reported for the aggregate of BST and CLECs <ul style="list-style-type: none"> ➤ State |
| Level of Disaggregation: |
| None |
| Data Retained (on Aggregate Basis) |
| For the items below, BST’s Performance Measurement Analysis Platform (PMAP) receives a final computation; therefore, no raw data file is available in PMAP. <ul style="list-style-type: none"> • Month • Call Type (Toll) • Average Speed of Answer |
| Retail Analog/Benchmark |
| Parity by Design See Appendix D |

Revision Date: 02/28/00 (tg)

OPERATOR SERVICES

| |
|--|
| Report/Measurement: |
| OS-2. Speed to Answer Performance/Percent Answered within “X” Seconds – Toll |
| Definition: |
| Measurement of the percent of toll calls that are answered in less than “X” seconds. The number of seconds represented by “X” is thirty, except where a different regulatory benchmark has been set against the Average Speed to Answer by a State Commission. |
| Exclusions: |
| Calls abandoned by customers are not reflected in the average speed to answer but are reflected in the conversion tables where the percent answered within “X” seconds is determined. |
| Business Rules: |
| The call waiting measurement scan starts when the customer enters the queue and ends when a BST representative answers the call. The average speed to answer is determined by measuring and accumulating the seconds of wait time from the entry of a customer into the BST call management system queue until the customer is transferred to a BST representative. No distinction is made between CLEC customers and BST customers. |
| Calculation: |
| The Percent Answered within “X” Seconds measurement for toll is derived by using the BellCore Statistical Answer Conversion Tables, to convert the Average Speed to Answer measure into a percent of calls answered within “X” seconds. The BellCore Conversion Tables are specific to the defined parameters of work time, number of operators, max queue size and call abandonment rates. |
| Report Structure: |
| <ul style="list-style-type: none"> • Reported for the aggregate of BST and CLECs <ul style="list-style-type: none"> ➤ State |
| Level of Disaggregation: |
| None |
| Data Retained (on Aggregate Basis) |
| For the items below, BST’s Performance Measurement Analysis Platform (PMAP) receives a final computation; therefore, no raw data file is available in PMAP. <ul style="list-style-type: none"> • Month • Call Type (Toll) • Average Speed of Answer |
| Retail Analog/Benchmark |
| Parity by Design See Appendix D |

Revision Date: 02/28/00 (tg)

OPERATOR SERVICES

| |
|--|
| Report/Measurement: |
| OS-3. Speed to Answer Performance/Average Speed to Answer – Directory Assistance (DA) |
| Definition: |
| Measurement of the average time in seconds calls wait before answer by a DA operator. |
| Exclusions: |
| Calls abandoned by customers are not reflected in the average speed to answer but are reflected in the conversion tables where the percent answered within “X” seconds is determined. |
| Business Rules: |
| The call waiting measurement scan starts when the customer enters the queue and ends when a BST representative answers the call. The average speed to answer is determined by measuring and accumulating the seconds of wait time from the entry of a customer into the BST call management system queue until the customer is transferred to a BST representative. No distinction is made between CLEC customers and BST customers. |
| Calculation: |
| The Average Speed to Answer for DA is calculated by using data from monthly system measurement reports taken from the centralized call routing switches. The “total call waiting seconds” is a sub-component of this measure which BST systems calculate by monitoring the number of calls in queue throughout the day multiplied by the time (in seconds) between monitoring events. The “total calls served” is the other sub-component of this measure, which BST systems record as the total number of calls handled by Operator Services DA centers. Since calls abandoned are not reflected in the calculation, the percent answered within the required timeframe is determined by using conversion tables with input for the abandonment rate. |
| Report Structure: |
| <ul style="list-style-type: none"> • Reported for the aggregate of BST and CLECs <ul style="list-style-type: none"> ➤ State |
| Level of Disaggregation: |
| None |
| Data Retained (on Aggregate Basis) |
| For the items below, BST’s Performance Measurement Analysis Platform (PMAP) receives a final computation; therefore, no raw data file is available in PMAP. <ul style="list-style-type: none"> • Month • Call Type (DA) • Average Speed of Answer |
| Retail Analog/Benchmark |
| Parity by Design See Appendix D |

Revision Date: 02/28/00 (tg)

OPERATOR SERVICES

| |
|--|
| Report/Measurement: |
| OS-4. Speed to Answer Performance/Percent Answered within “X” Seconds – Directory Assistance (DA) |
| Definition: |
| Measurement of the percent of DA calls that are answered in less than “X” seconds. The number of seconds represented by “X” is twenty, except where a different regulatory benchmark has been set against the Average Speed to Answer by a State Commission. |
| Exclusions: |
| Calls abandoned by customers are not reflected in the average speed to answer but are reflected in the conversion tables where the percent answered within “X” seconds is determined. |
| Business Rules: |
| The call waiting measurement scan starts when the customer enters the queue and ends when a BST representative answers the call. The average speed to answer is determined by measuring and accumulating the seconds of wait time from the entry of a customer into the BST call management system queue until the customer is transferred to a BST representative. No distinction is made between CLEC customers and BST customers. |
| Calculation: |
| The Percent Answered within “X” Seconds measurement for DA is derived by using the BellCore Statistical Answer Conversion Tables, to convert the Average Speed to Answer measure into a percent of calls answered within “X” seconds. The BellCore Conversion Tables are specific to the defined parameters of work time, number of operators, max queue size and call abandonment rates. |
| Report Structure: |
| <ul style="list-style-type: none"> • Reported for the aggregate of BST and CLECs <ul style="list-style-type: none"> ➤ State |
| Level of Disaggregation: |
| None |
| Data Retained (on Aggregate Basis) |
| For the items below, BST’s Performance Measurement Analysis Platform (PMAP) receives a final computation; therefore, no raw data file is available in PMAP. <ul style="list-style-type: none"> • Month • Call Type (DA) • Average Speed of Answer |
| Retail Analog/Benchmark |
| Parity by Design See Appendix D |

Revision Date: 02/28/00 (tg)

E911

| |
|--|
| Report/Measurement: |
| E-1. Timeliness |
| Definition: |
| Measures the percentage of batch orders for E911 database updates (to CLEC resale and BST retail records) processed successfully within a 24-hour period. |
| Exclusions: |
| <ul style="list-style-type: none"> • Any resale order canceled by a CLEC • Facilities-based CLEC orders |
| Business Rules: |
| The 24-hour processing period is calculated based on the date and time processing starts on the batch orders and the date and time processing stops on the batch orders. Mechanical processing starts when SCC (BST's E911 vendor) receives E911 files containing batch orders extracted from BST's Service Order Communication System (SOCS). Processing stops when SCC loads the individual records to the E911 database. No distinctions are made between CLEC resale records and BST retail records. |
| Calculation: |
| $E911 \text{ Timeliness} = S (\text{Number of batch orders processed within 24 hours} \div \text{Total number of batch orders submitted}) \times 100$ |
| Report Structure: |
| <ul style="list-style-type: none"> • Reported for the aggregate of CLEC resale updates and BST retail updates <ul style="list-style-type: none"> ➢ State ➢ Region |
| Levels of Disaggregation: |
| None |
| Data Retained |
| <ul style="list-style-type: none"> • Report month • Aggregate data |
| Retail Analog/Benchmark |
| Parity by Design See Appendix D |

Revision Date: 02/28/00 (tg)

E911

| |
|---|
| Report/Measurement: |
| E-2. Accuracy |
| Definition: |
| Measures the individual E911 telephone number (TN) record updates (to CLEC resale and BST retail records) processed successfully for E911 with no errors. |
| Exclusions: |
| <ul style="list-style-type: none"> • Any resale order canceled by a CLEC • Facilities-based CLEC orders |
| Business Rules: |
| Accuracy is based on the number of records processed without error at the conclusion of the processing cycle. Mechanical processing starts when SCC (BST's E911 vendor) receives E911 files containing telephone number (TN) records extracted from BST's Service Order Communication System (SOCS). No distinctions are made between CLEC resale records and BST retail records. |
| Calculation: |
| $E911 \text{ Accuracy} = \frac{\text{Number of record individual updates processed with no errors}}{\text{Total number of individual record updates}} \times 100$ |
| Report Structure: |
| <ul style="list-style-type: none"> • Reported for the aggregate of CLEC resale updates and BST retail updates <ul style="list-style-type: none"> ➢ State ➢ Region |
| Level of Disaggregation: |
| None |
| Data Retained |
| <ul style="list-style-type: none"> • Report month • Aggregate data |
| Retail Analog/Benchmark |
| Parity by Design See Appendix D |

Revision Date: 02/28/00 (tg)

E911

| |
|--|
| Report/Measurement: |
| E-3. Mean Interval |
| Definition: |
| Measures the mean interval processing of E911 batch orders (to update CLEC resale and BST retail records). |
| Exclusions: |
| <ul style="list-style-type: none"> • Any resale order canceled by a CLEC • Facilities-based CLEC orders |
| Business Rules: |
| The processing period is calculated based on the date and time processing starts on the batch orders and the date and time processing stops on the batch orders. Data is posted in 4-hour increments up to and beyond 24 hours. No distinctions are made between CLEC resale records and BST retail records. |
| Calculation: |
| $\text{E911 Mean Interval} = \frac{\text{Date and time of batch order completion} - \text{Date and time of batch order submission}}{\text{Number of batch orders completed}}$ |
| Report Structure: |
| <ul style="list-style-type: none"> • Reported for the aggregate of CLEC resale updates and BST retail updates <ul style="list-style-type: none"> ➢ State ➢ Region |
| Level of Disaggregation: |
| None |
| Data Retained (on Aggregate Basis) |
| <ul style="list-style-type: none"> • Report month • Aggregate data |
| Retail Analog/Benchmark |
| Parity by Design See Appendix D |

Revision Date: 02/28/00 (tg)

TRUNK GROUP PERFORMANCE

| | |
|--|-------------------------|
| Report/Measurement: | |
| TGP-1. Trunk Group Performance-Aggregate | |
| Definition: | |
| A report of aggregate blocking information for CLEC trunk groups and BellSouth trunk groups. | |
| Exclusions: | |
| <ul style="list-style-type: none"> • Trunk Groups for which valid data is not available for an entire study period • Duplicate trunk group information | |
| Business Rules: | |
| <ul style="list-style-type: none"> • Aggregate blocking results are created using the statistical analysis package and are output into Excel with separate table for each geographic area. • For each geographic area, plots are generated for: a) the monthly blocking by hour for each affecting group (BellSouth or CLEC), and b) the difference between BellSouth blocking data and CLEC blocking data is calculated and plotted. • The TCBH blocking is calculated by determining the monthly averaging blocking for each hour for each trunk. The hour with the highest usage is selected as the TCBH and the blocking for that hour is reported. • Trunk Categorization: This report displays, over a reporting cycle, aggregate, weighted average blocking data for each hour of a day. Therefore, for each reporting cycle, 24 blocking data points are generated for two aggregate groups of selected trunk groups. These groups are CLEC affecting and BellSouth affecting trunk groups. In order to assign trunk groups to each aggregate group, all trunk groups are first assigned to a category. A trunk group's end points and the type of traffic that is transmitted on it define a category. Selected categories of trunk groups are assigned to the aggregate groups to that trunk reports can be generated. The categories to which trunk groups have been assigned for this report are as follows: | |
| CLEC Affecting Categories: | |
| | <u>Point A</u> |
| Category 1: | BellSouth End Office |
| Category 3: | BellSouth End Office |
| Category 4: | BellSouth Local Tandem |
| Category 5: | BellSouth Access Tandem |
| Category 10: | BellSouth End Office |
| Category 16: | BellSouth Tandem |
| | <u>Point B</u> |
| | BellSouth Access Tandem |
| | CLEC Switch |
| | CLEC Switch |
| | CLEC Switch |
| | BellSouth Local Tandem |
| | BellSouth Tandem |
| BellSouth Affecting Category: | |
| | <u>Point A</u> |
| Category 9: | BellSouth End Office |
| | <u>Point B</u> |
| | BellSouth End Office |

TRUNK GROUP PERFORMANCE - (Trunk Group Performance-Aggregate – Continued)

Calculation:

Monthly Weighted Average Blocking:

(Blocking data for each hour X number of valid measurement days within each week) / S (Total number of valid measurement days within each week)

| Example: | | <u>Week 1</u> | <u>Week 2</u> | <u>Week 3</u> | <u>Week 4</u> | <u>Monthly</u> |
|----------|----------|---------------|---------------|---------------|---------------|----------------|
| Hour | | | | | | |
| 1 | Blocking | 1% | 0.5% | 2% | 1.5% | 1.8% |
| | # Days | 7 | 7 | 5 | 6 | |
| 2 | Blocking | 0% | 0% | 0.2% | 0.3% | .1% |
| | # Days | 7 | 5 | 5 | 7 | |
| 3 | Blocking | 1% | 1% | 0.5% | 2% | 1.1% |
| | # Days | 7 | 7 | 7 | 7 | |
| 24 | Blocking | 1% | 0.5% | 2% | 1.5% | 1.2% |
| | # Days | 7 | 7 | 5 | 6 | |

The monthly weighted average blocking for hour 1 for a particular trunk group is calculated as follows:

$$\frac{(1 \times 5) + (0.5 \times 5) + (2 \times 4) + (1.5 \times 4)}{(5 + 5 + 4 + 4)} = 1.2\%$$

Aggregate Monthly Blocking:

(Monthly weighted average blocking value for each trunk group) X (number of trunks within each trunk group) / S (number of trunks in the aggregate group)

| Example: | Trunk Group | Trunks in Service | Blocking Hour 1 | Blocking Hour 2 | Blocking Hour 3 | Blocking Hour 4 | | Blocking Hour 24 |
|----------|-------------|-------------------|-----------------|-----------------|-----------------|-----------------|-------|------------------|
| | A | 24 | 3% | 0% | 1% | 0% | | 0% |
| | B | 144 | 2% | 0% | 1% | 0.5% | | 0.5% |
| | C | 528 | 0% | 0.5% | 1% | 1% | | 1% |
| | D | 316 | 1% | 0% | 1% | 0.1% | | 0% |
| | E | 940 | 1% | 1% | 4% | 0% | | 0% |
| | Aggregate | | 0.8% | 0.6% | 2.4% | 0.3% | | 0.3% |

The aggregate weighted monthly blocking for hour 1 is calculated as follows:

$$\frac{(3 \times 24) + (2 \times 144) + (0 \times 528) + (1 \times 316) + (1 \times 940)}{(24 + 144 + 528 + 316 + 940)} = 0.8\%$$

The purpose of the Trunk Group Performance Report is to provide trunk blocking measurements on CLEC and BST trunk groups for comparison only. It is not the intent of the report that it be used for network management and/or engineering.

Report Structure:

- CLEC Aggregate
 - State

Level of Disaggregation:

Trunk Group

Data Retained Relating to CLEC Experience

- Report Month
- Total Trunk Groups
- Number of Trunk Groups by CLEC
- Hourly average blocking per trunk group

Data Retained Relating to BST Experience

- Report Month
- Total Trunk Groups
- Aggregate Hourly average blocking

Retail Analog/Benchmark:

Any 2 hour period in 24 hours where CLEC blockage exceeds BST blockage by more than 0.5% = a miss using trunk groups 1, 3, 4, 5, 10, 16 for CLECs and 9 for BST.

Revision Date: 02/28/00 (tm)

TRUNK GROUP PERFORMANCE

| | |
|--|-------------------------|
| Report/Measurement: | |
| TGP-2. Trunk Group Performance-CLEC Specific | |
| Definition: | |
| A report of blocking information for CLEC trunk groups. | |
| Exclusions: | |
| <ul style="list-style-type: none"> • Trunk Groups for which valid data is not available for an entire study period • Duplicate trunk group information | |
| Business Rules: | |
| <ul style="list-style-type: none"> • Aggregate blocking results are created using the statistical analysis package and are output into Excel with separate table for each geographic area. • For each geographic area, plots are generated for the monthly blocking by hour • The TCBH blocking is calculated by determining the monthly averaging blocking for each hour for each trunk. The hour with the highest usage is selected as the TCBH and the blocking for that hour is reported. • Trunk Categorization: This report displays, over a reporting cycle, aggregate, weighted average blocking data for each hour of a day. Therefore, for each reporting cycle, 24 blocking data points are generated for CLEC trunk groups. In order to assign trunk groups to the CLEC group, all trunk groups are first assigned to a category. A trunk group's end points and the type of traffic that is transmitted on it define a category. Selected categories of trunk groups are assigned to the aggregate groups to that trunk reports can be generated. The categories to which trunk groups have been assigned for this report are as follows: | |
| CLEC Affecting Categories: | |
| | <u>Point A</u> |
| Category 1: | BellSouth End Office |
| Category 3: | BellSouth End Office |
| Category 4: | BellSouth Local Tandem |
| Category 5: | BellSouth Access Tandem |
| Category 10: | BellSouth End Office |
| Category 16: | BellSouth Tandem |
| | <u>Point B</u> |
| | BellSouth Access Tandem |
| | CLEC Switch |
| | CLEC Switch |
| | CLEC Switch |
| | BellSouth Local Tandem |
| | BellSouth Tandem |

TRUNK GROUP PERFORMANCE - (Trunk Group Performance-CLEC Specific – Continued)

Calculation:

Monthly Weighted Average Blocking:

(Blocking data for each hour X number of valid measurement days within each week) / S (Total number of valid measurement days within each week)

| Example: | | <u>Week 1</u> | <u>Week 2</u> | <u>Week 3</u> | <u>Week 4</u> | <u>Monthly</u> |
|----------|----------|---------------|---------------|---------------|---------------|----------------|
| Hour | | | | | | |
| 1 | Blocking | 1% | 0.5% | 2% | 1.5% | 1.8% |
| | # Days | 7 | 7 | 5 | 6 | |
| 2 | Blocking | 0% | 0% | 0.2% | 0.3% | .1% |
| | # Days | 7 | 5 | 5 | 7 | |
| 3 | Blocking | 1% | 1% | 0.5% | 2% | 1.1% |
| | # Days | 7 | 7 | 7 | 7 | 5 |
| 24 | Blocking | 1% | 0.5% | 2% | 1.5% | 1.2% |
| | # Days | 7 | 7 | 5 | 6 | |

The monthly weighted average blocking for hour 1 for a particular trunk group is calculated as follows:

$$\frac{(1 \times 5) + (0.5 \times 5) + (2 \times 4) + (1.5 \times 4)}{(5 + 5 + 4 + 4)} = 1.2\%$$

Aggregate Monthly Blocking:

(Monthly weighted average blocking value for each trunk group) X (number of trunks within each trunk group) / S (number of trunks in the aggregate group)

| Example: | Trunk Group | Trunks in Service | Blocking Hour 1 | Blocking Hour 2 | Blocking Hour 3 | Blocking Hour 4 | | Blocking Hour 24 |
|----------|-------------|-------------------|-----------------|-----------------|-----------------|-----------------|-------|------------------|
| | A | 24 | 3% | 0% | 1% | 0% | | 0% |
| | B | 144 | 2% | 0% | 1% | 0.5% | | 0.5% |
| | C | 528 | 0% | 0.5% | 1% | 1% | | 1% |
| | D | 316 | 1% | 0% | 1% | 0.1% | | 0% |
| | E | 940 | 1% | 1% | 4% | 0% | | 0% |
| | Aggregate | | 0.8% | 0.6% | 2.4% | 0.3% | | 0.3% |

The aggregate weighted monthly blocking for hour 1 is calculated as follows:

$$\frac{(3 \times 24) + (2 \times 144) + (0 \times 528) + (1 \times 316) + (1 \times 940)}{(24 + 144 + 528 + 316 + 940)} = 0.8\%$$

The purpose of the Trunk Group Performance Report is to provide trunk blocking measurements on CLEC and BST trunk groups for comparison only. It is not the intent of the report that it be used for network management and/or engineering.

Report Structure:

- CLEC Specific
- Trunk Group

Level of Disaggregation:

Trunk Group

Data Retained Relating to CLEC Experience

- Report Month
- Total Trunk Groups
- Number of Trunk Groups by CLEC
- Hourly average blocking per trunk group

Data Retained Relating to BST Experience

- Report Month
- Total Trunk Groups
- Aggregate Hourly average blocking

Retail Analog/Benchmark:

Any 2 hour period in 24 hours where CLEC blockage exceeds BST blockage by more than 0.5% = a miss using trunk groups 1, 3, 4, 5, 10, 16 for CLECs and 9 for BST.

Revision Date: 02/28/00 (tm)

TRUNK GROUP PERFORMANCE

| | |
|---|---|
| Report/Measurement: | |
| TGP-3. Trunk Group Service Report | |
| Definition: | |
| A report of the percent blocking above the Measured Blocking Threshold (MBT) on all final trunk groups between CLEC Points of Termination and BST end offices or tandems. | |
| Exclusions: | |
| <ul style="list-style-type: none"> • Trunk groups for which valid traffic data is not available • High use trunk groups | |
| Business Rules: | |
| Traffic trunking data measurements are validated and processed by the Total Network Data System/Trunking (TNDS/TK), a Telcordia (BellCore) supported application, on an hourly basis for Average Business Days (Monday through Friday). The traffic load sets, including offered load and observed blocking ratio (calls blocked divided by calls attempted), are averaged for a 20 day period, and the busy hour is selected. The busy hour average data for each trunk group is captured for reporting purposes. Although all trunk groups are available for reporting, the report highlight those trunk groups with blocking greater than the Measured Blocking Threshold (MBT) and the number of consecutive monthly reports that the trunk group blocking has exceeded the MBT. The MBT for CTTG is 2% and the MBT for all other trunk groups is 3%. | |
| Calculation: | |
| Measured blocking = (Total number of blocked calls) / (Total number of attempted calls) X 100 | |
| Report Structure: | |
| <ul style="list-style-type: none"> • BST Aggregate <ul style="list-style-type: none"> ➢ CTTG ➢ Local • CLEC Aggregate <ul style="list-style-type: none"> ➢ BST Administered CLEC Trunk ➢ CLEC Administered CLEC Trunk • CLEC Specific <ul style="list-style-type: none"> ➢ BST Administered CLEC Trunk ➢ CLEC Administered CLEC Trunk | |
| Level of Disaggregation: | |
| State | |
| Data Retained Relating to CLEC Experience | Data Retained Relating to BST Experience |
| <ul style="list-style-type: none"> • Report month • Total trunk groups • Total trunk groups for which data is available • Trunk groups with blocking greater than the MBT • Percent of trunk groups with blocking greater than the MBT | <ul style="list-style-type: none"> • Report month • Total trunk groups • Total trunk groups for which data is available • Trunk groups with blocking greater than the MBT • Percent of trunk groups with blocking greater than the MBT |
| Retail Analog/Benchmark: | |
| CLEC Trunk Blockage/BST Trunk Blockage See Appendix D | |

Revision Date: 02/28/00 (tm)

TRUNK GROUP PERFORMANCE

| | |
|---|---|
| Report/Measurement: | |
| TGP-4. Trunk Group Service Detail | |
| Definition: | |
| A detailed list of all final trunk groups between CLEC Points of Presence and BST end offices or tandems, and the actual blocking performance when the blocking exceeds the Measured Blocking Threshold (MBT) for the trunk groups. | |
| Exclusions: | |
| <ul style="list-style-type: none"> • Trunk groups for which valid traffic data is not available • High use trunk groups | |
| Business Rules: | |
| Traffic trunking data measurements are validated and processed by the Total Network Data System/Trunking (TNDS/TK), a Telcordia (Bellcore) supported application, on an hourly basis for Average Business Days (Monday through Friday). The traffic load sets, including offered load and observed blocking ratio (calls blocked divided by calls attempted), are averaged for a 20 day period, and the busy hour is selected. The busy hour average data for each trunk group is captured for reporting purposes. Although all trunk groups are available for reporting, the report highlight those trunk groups with blocking greater than the Measured Blocking Threshold (MBT) and the number of consecutive monthly reports that the trunk group blocking has exceeded the MBT. The MBT for CTTG is 2% and the MBT for all other trunk groups is 3%. | |
| Calculation: | |
| Measured Blocking = (Total number of blocked calls) / (Total number of attempted calls) X 100 | |
| Report Structure: | |
| <ul style="list-style-type: none"> • . BST Specific <ul style="list-style-type: none"> ➢ .Traffic Identity ➢ TGSN ➢ Tandem ➢ End Office ➢ Description ➢ Observed Blocking ➢ Busy Hour ➢ Number Trunks ➢ Valid study days ➢ Number reports ➢ Remarks | <ul style="list-style-type: none"> • CLEC Specific <ul style="list-style-type: none"> ➢ Traffic Identity ➢ TGSN ➢ Tandem ➢ CLEC POT ➢ Description ➢ Observed Blocking ➢ Busy Hour ➢ Number Trunks ➢ Valid study days ➢ Number reports ➢ Remarks |
| Level of Disaggregation: | |
| State | |
| Data Retained Relating to CLEC Experience | Data Retained Relating to BST Experience |
| <ul style="list-style-type: none"> • Report month • Total trunk groups • Total trunk groups for which data is available • Trunk groups with blocking greater than the MBT • Percent of trunk groups with blocking greater than the MBT • Traffic identity, TGSN, end points, description, busy hour, valid study days, number reports | <ul style="list-style-type: none"> • Report month • Total trunk groups • Total trunk groups for which data is available • Trunk groups with blocking greater than the MBT • Percent of trunk groups with blocking greater than the MBT • Traffic identity, TGSN, end points, description, busy hour, valid study days, number reports |
| Retail Analog/Benchmark: | |
| CLEC Trunk Blockage/BST Blockage See Appendix D | |

Revision Date: 02/28/00 (tm)

COLLOCATION

| |
|---|
| Report/Measurement: |
| C-1. Average Response Time |
| Definition: |
| Measures the average time (counted in business days) from the receipt of a complete and accurate collocation application (including receipt of application fees) to the date BellSouth responds in writing. |
| Exclusions: |
| <ul style="list-style-type: none"> • Requests to augment previously completed arrangements • Any application cancelled by the CLEC |
| Business Rules: |
| The clock starts on the date that BST receives a complete and accurate collocation application accompanied by the appropriate application fee. The clock stops on the date that BST returns a response. The clock will restart upon receipt of changes to the original application request. |
| Calculation: |
| Average Response Time = S(Request Response Date) – (Request Submission Date) / Count of Responses Returned within Reporting Period. |
| Report Structure: |
| <ul style="list-style-type: none"> • Individual CLEC (alias) aggregate • Aggregate of all CLECs |
| Level of Disaggregation: |
| <ul style="list-style-type: none"> • State, Region and further geographic disaggregation as required by State Commission Order (e.g. Metropolitan Service Area – MSA) • Virtual • Physical |
| Data Retained: |
| <ul style="list-style-type: none"> • Report period • Aggregate data |
| Retail Analog/Benchmark: |
| See Appendix D |

Revision Date: 01/27/00 (tg)

COLLOCATION

| |
|---|
| Report/Measurement: |
| C-2. Average Arrangement Time |
| Definition: |
| Measures the average time from the receipt of a complete and accurate Bona Fide firm order (including receipt of appropriate fee) to the date BST completes the collocation arrangement. |
| Exclusions: |
| <ul style="list-style-type: none"> • Any Bona Fide firm order cancelled by the CLEC • Bona Fide firm orders to augment previously completed arrangements • Time for BST to obtain permits • Time during which the collocation contract is being negotiated |
| Business Rules: |
| The clock starts on the date that BST receives a complete and accurate Bona Fide firm order accompanied by the appropriate fee. The clock stops upon submission of the permit request and restarts upon receipt of the approved permit. Changes (affecting the provisioning interval or capital expenditures) that are submitted while provisioning is in progress may alter the completion date. The clock stops on the date that BST completes the collocation arrangement. |
| Calculation: |
| Average Arrangement Time = S(Date Collocation Arrangement is Complete) – (Date Order for Collocation Arrangement Submitted) / Total Number of Collocation Arrangements Completed during Reporting Period. |
| Report Structure: |
| <ul style="list-style-type: none"> • Individual CLEC (alias) aggregate • Aggregate of all CLECs |
| Level of Disaggregation: |
| <ul style="list-style-type: none"> • State, Region and further geographic disaggregation as required by State Commission Order (e.g. Metropolitan Service Area – MSA) • Virtual • Physical |
| Data Retained: |
| <ul style="list-style-type: none"> • Report period • Aggregate data |
| Retail Analog/Benchmark: |
| See Appendix D |

Revision Date: 01/27/00 (tg)

COLLOCATION

| |
|--|
| Report/Measurement: |
| C-3. Percent of Due Dates Missed |
| Definition: |
| Measures the percent of missed due dates for collocation arrangements. |
| Exclusions: |
| <ul style="list-style-type: none"> • Any Bona Fide firm order cancelled by the CLEC • Bona Fide firm orders to augment previously completed arrangements • Time for BST to obtain permits • Time during which the collocation contract is being negotiated |
| Business Rules: |
| The clock starts on the date that BST receives a complete and accurate Bona Fide firm order accompanied by the appropriate fee. The clock stops on the date that BST completes the collocation arrangement. |
| Calculation: |
| $\% \text{ of Due Dates Missed} = \frac{\text{S (Number of Orders not completed w/i ILEC Committed Due Date during Reporting Period)}}{\text{Number of Orders Completed in Reporting Period}} \times 100$ |
| Report Structure: |
| <ul style="list-style-type: none"> • Individual CLEC (alias) aggregate • Aggregate of all CLECs |
| Level of Disaggregation: |
| <ul style="list-style-type: none"> • State, Region and further geographic disaggregation as required by State Commission Order (e.g. Metropolitan Service Area-MSA) • Virtual • Physical |
| Data Retained: |
| <ul style="list-style-type: none"> • Report period • Aggregate data |
| Retail Analog/Benchmark: |
| 90% ≤ Commit Date |

Revision Date: 01/27/00 (tg)

Appendix A: Reporting Scope*

| Standard Service Groupings | |
|-----------------------------------|---|
| Standard Service Groupings | <p><u>Pre-Order, Ordering</u></p> <ul style="list-style-type: none"> ➤ Resale Residence ➤ Resale Business ➤ Resale Special ➤ Local Interconnection Trunks ➤ UNE ➤ UNE - Loops w/LNP <p><u>Provisioning</u></p> <ul style="list-style-type: none"> ➤ UNE Non-Design ➤ UNE Design ➤ Local Interconnection Trunks ➤ Resale Residence ➤ Resale Business ➤ Resale Design ➤ BST Trunks ➤ BST Residence Retail ➤ BST Business Retail ➤ BST Design Retail <p><u>Maintenance and Repair</u></p> <ul style="list-style-type: none"> ➤ Local Interconnection Trunks ➤ UNE Non-Design ➤ UNE Design ➤ Resale Residence ➤ Resale Business ➤ Resale Design ➤ BST Interconnection Trunks ➤ BST Residence Retail ➤ BST Business Retail ➤ BST Design Retail <p><u>Local Interconnection Trunk Group Blockage</u></p> <ul style="list-style-type: none"> ➤ BST CTTG Trunk Groups ➤ CLEC Trunk Groups |

Appendix B: Glossary of Acronyms and Terms

| | | |
|----------|--|--|
| A | <p>ACD</p> <p>AGGREGATE</p> <p>ASR</p> <p>ATLAS</p> <p>ATLASTN</p> <p>AUTO CLARIFICATION</p> | <p>Automatic Call Distributor - A service that provides status monitoring of agents in a call center and routes high volume incoming telephone calls to available agents while collecting management information on both callers and attendants.</p> <p>Sum total of all items in like category, e.g. CLEC aggregate equals the sum total of all CLECs' data for a given reporting level.</p> <p>Access Service Request - A request for access service terminating delivery of carrier traffic into a Local Exchange Carrier's network.</p> <p>Application for Telephone Number Load Administration System - The BellSouth Operations System used to administer the pool of available telephone numbers and to reserve selected numbers from the pool for use on pending service requests/service orders.</p> <p>ATLAS software contract for Telephone Number</p> <p>The number of LSRs that were electronically rejected from LESOG and electronically returned to the CLEC for correction.</p> |
| B | <p>BILLING</p> <p>BOCRIS</p> <p>BRC</p> <p>BST</p> | <p>The process and functions by which billing data is collected and by which account information is processed in order to render accurate and timely billing.</p> <p>Business Office Customer Record Information System - A front-end presentation manager used by BellSouth organizations to access the CRIS database.</p> <p>Business Repair Center – The BellSouth Business Systems trouble receipt center which serves large business and CLEC customers.</p> <p>BellSouth Telecommunications, Inc.</p> |
| C | <p>CKTID</p> <p>CLEC</p> <p>CMDS</p> <p>COFFI</p> | <p>A unique identifier for elements combined in a service configuration</p> <p>Competitive Local Exchange Carrier</p> <p>Centralized Message Distribution System - BellCore administered national system used to transfer specially formatted messages among companies.</p> <p>Central Office Feature File Interface - A BellSouth Operations System database which maintains Universal Service Order Code (USOC) information based on current tariffs.</p> |

Appendix B: Glossary of Acronyms and Terms – Continued

| | | |
|----------|--------------------------------|--|
| C | COFIUSOC | COFFI software contract for feature/service information |
| | CRIS | Customer Record Information System - The BellSouth proprietary corporate database and billing system for non-access customers and services. |
| | CRSACCTS | CRIS software contract for CSR information |
| | CSR | Customer Service Record |
| | CTTG | Common Transport Trunk Group - Final trunk groups between BST & Independent end offices and the BST access tandems. |
| D | DESIGN | Design Service is defined as any Special or Plain Old Telephone Service Order which requires BellSouth Design Engineering Activities |
| | DISPOSITION & CAUSE | Types of trouble conditions, e.g. No Trouble Found, Central Office Equipment, Customer Premises Equipment, etc. |
| | DLETH | Display Lengthy Trouble History - A history report that gives all activity on a line record for trouble reports in LMOS |
| | DLR | Detail Line Record - All the basic information maintained on a line record in LMOS, e.g. name, address, facilities, features etc. |
| | DOE | Direct Order Entry System - An internal BellSouth service order entry system used by BellSouth Service Representatives to input business service orders in BellSouth format. |
| | DSAP | DOE (Direct Order Entry) Support Application - The BellSouth Operations System which assists a Service Representative or similar carrier agent in negotiating service provisioning commitments for non-designed services and UNEs. |
| | DSAPDDI | DSAP software contract for schedule information |
| E | E911 | Provides callers access to the applicable emergency services bureau by dialing a 3-digit universal telephone number. |
| | EDI | Electronic Data Interchange - The computer-to-computer exchange of inter and/or intra company business documents in a public standard format. |
| F | FATAL REJECT | The number of LSRs that were electronically rejected from LEO, which checks to see if the LSR has all the required fields correctly populated |
| | FLOW-THROUGH | In the context of this document, LSRs submitted electronically via the CLEC mechanized ordering process that flow through to the BST OSS without manual or human intervention. |
| | FOC | Firm Order Confirmation - A notification returned to the CLEC confirming that the LSR has been received and accepted, including the specified commitment date. |

Appendix B: Glossary of Acronyms and Terms - Continued

| | | |
|----------|---------------------------------|---|
| G | | |
| H | HAL | “Hands Off” Assignment Logic - Front end access and error resolution logic used in interfacing BellSouth Operations Systems such as ATLAS, BOCRIS, LMOS, PSIMS, RSAG and SOCS. |
| | HALCRIS | HAL software contract for CSR information |
| I | ISDN | Integrated Services Digital Network |
| K | | |
| L | LCSC | Local Carrier Service Center - The BellSouth center which is dedicated to handling CLEC LSRs, ASRs, and Preordering transactions along with associated expedite requests and escalations. |
| | LEGACY SYSTEM | Term used to refer to BellSouth Operations Support Systems (see OSS) |
| | LENS | Local Exchange Negotiation System - The BellSouth LAN/web server/OS application developed to provide both preordering and ordering electronic interface functions for CLECs. |
| | LEO | Local Exchange Ordering - A BellSouth system which accepts the output of EDI, applies edit and formatting checks, and reformats the Local Service Requests in BellSouth Service Order format. |
| | LESOG | Local Exchange Service Order Generator - A BellSouth system which accepts the service order output of LEO and enters the Service Order into the Service Order Control System using terminal emulation technology. |
| | LMOS | Loop Maintenance Operations System - A BellSouth Operations System that stores the assignment and selected account information for use by downstream OSS and BellSouth personnel during provisioning and maintenance activities. |
| | LMOS HOST | LMOS host computer |
| | LMOSupd | LMOS updates |
| | LNP | Local Number Portability - In the context of this document, the capability for a subscriber to retain his current telephone number as he transfers to a different local service provider. |
| | LOOPS | Transmission paths from the central office to the customer premises. |
| M | MAINTENANCE & REPAIR | The process and function by which trouble reports are passed to BellSouth and by which the related service problems are resolved. |
| | MARCH | A BellSouth Operations System which accepts service orders, interprets the coding contained in the service order image, and constructs the specific switching system Recent Change command messages for input into end office switches. |

Appendix B: Glossary of Acronyms and Terms – Continued

| | | |
|----------|-----------------------|--|
| N | NC | “No Circuits” - All circuits busy announcement |
| O | OASIS | Obtain Availability Services Information System - A BellSouth front-end processor, which acts as an interface between COFFI and RNS. This system takes the USOCs in COFFI and translates them to English for display in RNS. |
| | OASISBSN | OASIS software contract for feature/service |
| | OASISCAR | OASIS software contract for feature/service |
| | OASISLPC | OASIS software contract for feature/service |
| | OASISMTN | OASIS software contract for feature/service |
| | OASISNET | OASIS software contract for feature/service |
| | OASISOCP | OASIS software contract for feature/service |
| | ORDERING | The process and functions by which resale services or unbundled network elements are ordered from BellSouth as well as the process by which an LSR or ASR is placed with BellSouth. |
| | OSPCM | Outside Plant Contract Management System - Provides Scheduling Information. |
| | OSS | Operations Support System - A support system or database which is used to mechanize the flow or performance of work. The term is used to refer to the overall system consisting of hardware complex, computer operating system(s), and application which is used to provide the support functions. |
| | OUT OF SERVICE | Customer has no dial tone and cannot call out. |
| P | POTS | Plain Old Telephone Service |
| | PREDICTOR | The BellSouth Operations system which is used to administer proactive maintenance and rehabilitation activities on outside plant facilities, provide access to selected work groups (e.g. RRC & BRC) to Mechanized Loop Testing and switching system I/O ports, and provide certain information regarding the attributes and capabilities of outside plant facilities. |
| | PREORDERING | The process and functions by which vital information is obtained, verified, or validated prior to placing a service request. |
| | PROVISIONING | The process and functions by which necessary work is performed to activate a service requested via an LSR or ASR and to initiate the proper billing and accounting functions. |
| | PSIMS | Product/Service Inventory Management System - A BellSouth database Operations System which contains availability information on switching system features and capabilities and on BellSouth service availability. This database is used to verify the availability of a feature or service in an NXX prior to making a commitment to the customer. |
| | PSIMSORB | PSIMS software contract for feature/service |

Appendix B: Glossary of Acronyms and Terms – Continued

| | | |
|----------|-----------------------------|---|
| Q | | |
| R | RNS | Regional Negotiation System - An internal BellSouth service order entry system used by BellSouth Consumer Services to input service orders in BellSouth format. |
| | RRC | Residence Repair Center - The BellSouth Consumer Services trouble receipt center which serves residential customers. |
| | RSAG | Regional Street Address Guide - The BellSouth database, which contains street addresses validated to be accurate with state and local governments. RSAG software contract for address search |
| | RSAGADDR | RSAG software contract for telephone number search |
| | RSAGTN | |
| S | SOCS | Service Order Control System - The BellSouth Operations System which routes service order images among BellSouth drop points and BellSouth Operations Systems during the service provisioning process. |
| | SOIR | Service Order Interface Record - any change effecting activity to a customer account by service order that impacts 911/E911. |
| T | TAFI | Trouble Analysis Facilitation Interface - The BellSouth Operations System that supports trouble receipt center personnel in taking and handling customer trouble reports. |
| | TAG | Telecommunications Access Gateway – TAG was designed to provide an electronic interface, or machine-to-machine interface for the bi-directional flow of information between BellSouth’s OSSs and participating CLECs. |
| | TN | Telephone Number |
| | TOTAL MANUAL FALLOUT | The number of LSRs which are entered electronically but require manual entering into a service order generator. |
| U | UNE | Unbundled Network Element |
| V | | |
| W | WTN | A unique identifier for elements combined in a service configuration |
| X | | |
| Y | | |
| Z | | |
| S | | Sum of: |

Appendix C

BELLSOUTH'S AUDIT POLICY:

BellSouth currently provides many CLECs with certain audit rights as a part of their individual interconnection agreements. However, it is not reasonable for BellSouth to undergo an audit of the SQM for every CLEC with which it has a contract. BellSouth has developed a proposed Audit Plan for use by the parties to an audit. If requested by a Public Service Commission or by a CLEC exercising contractual audit rights, BellSouth will agree to undergo a comprehensive audit of the aggregate level reports for both BellSouth and the CLEC(s) for each of the next five (5) years (2000 – 2005), to be conducted by an independent third party. The results of that audit will be made available to all the parties subject to proper safeguards to protect proprietary information. This aggregate level audit includes the following specifications:

1. The cost shall be borne 50% by BellSouth and 50% by the CLEC or CLECs.
2. The independent third party auditor shall be selected with input from BellSouth, the PSC, if applicable, and the CLEC(s).
3. BellSouth, the PSC and the CLEC(s) shall jointly determine the scope of the audit.

BellSouth reserves the right to make changes to this audit policy as growth and changes in the industry dictate.

| APPENDIX D | | | | |
|-------------------------------|--|-------------------------------------|------------------------------------|-------------------|
| Analogs and Benchmarks | | | | |
| BST SQM Category | MEASURES AND SUB-METRICS | RESALE Retail Analogue | UNES Retail Analogue | Benchmark* |
| Pre-Ordering | <u>Percent Response Received within "X" seconds</u> | | Parity w/ retail where applicable. | |
| | <u>OSS Interface Availability</u> | | | 99.5% |
| Ordering | <u>Percent Flow-Through Service Request</u> <ul style="list-style-type: none"> • Residence • Business • UNE | | | 90% 80% 80% |
| | <u>Percent Rejected Service Request</u> | Diagnostic | | Diagnostic. |
| | <u>Reject Interval (Mechanized)</u> | UD | UD | 95% within 1 hrs |
| | • Reject Interval (Non-Mechanized and Partially Mechanized) | UD | UD | 85% < 24 hrs |
| | <u>Firm Order Confirmation Timeliness (Mechanized)</u> (Non-Mechanized and Partially Mechanized) | UD | UD | 95% within 4 hrs |
| | <u>Speed of Answer in Ordering Center</u> | X | X | 85% <48 Hrs |
| Provisioning | <u>Mean Held Order Interval</u> | | | |
| | • Resale Residence | X | | |
| | • Resale Business | X | | |
| | • Resale Design | X | | |
| | • Resale PBX | X | | |
| | • Resale Centrex | X | | |
| | • Resale IDSN | X | | |
| | • UNE Loop and Port Combos | | Retail Residence and Business | |
| | • UNE 2w Loop with NP – Non-Design | | Retail Residence and Business | |
| | • UNE 2w Loop without NP – Non-Design | | Retail Residence and Business | |
| | • UNE Loop Other with NP Non-Design | | Retail Residence and Business | |
| | • UNE Loop Other without NP Non-Design | | Retail Residence and Business | |
| | • UNE Other Non Design | | Retail Residence and Business | |
| | • UNE 2w Loop with NP – Design | | Retail Residence and Business | |
| | • UNE 2w Loop without NP – Design | | Retail Residence and Business | |
| | • UNE Loop Other with NP – Design | | Retail Design | |

| APPENDIX D Analog and Benchmarks | | | | |
|---|---|---------------------------------------|---------------------------------|-------------------|
| BST SQM Category | MEASURES AND SUB-METRICS | RESALE Retail Analogue | UNES Retail Analogue | Benchmark* |
| | • UNE Loop Other without NP - Design | | Retail Design | |
| | • UNE Other Design | | Retail Design | |
| | • Local Interconnection Trunks | X | | |
| | Average Jeopardy Notice Interval (Mechanized) | | | |
| | • Resale Residence | | | 95% >=24 Hr |
| | • Resale Business | | | 95% >=24 Hr |
| | • Resale Design | | | 95% >=24 Hr |
| | • Resale PBX | | | 95% >=24 Hr |
| | • Resale Centrex | | | 95% >=24 Hr |
| | • Resale IDSN | | | 95% >=24 Hr |
| | • UNE Loop and Port Combos | | | 95% >=24 Hr |
| | • UNE 2w Loop with NP – Non-Design | | | 95% >=24 Hr |
| | • UNE 2w Loop without NP – Non-Design | | | 95% >=24 Hr |
| | • UNE Loop Other with NP Non-Design | | | 95% >=24 Hr |
| | • UNE Loop Other without NP Non-Design | | | 95% >=24 Hr |
| | • UNE Other Non Design | | | 95% >=24 Hr |
| | • UNE 2w Loop with NP – Design | | | 95% >=24 Hr |
| | • UNE 2w Loop without NP – Design | | | 95% >=24 Hr |
| | • UNE Loop Other with NP – Design | | | 95% >=24 Hr |
| | • UNE Loop Other without NP - Design | | | 95% >=24 Hr |
| | • UNE Other Design | | | 95% >=24 Hr |
| | • Local Interconnection Trunks | | | 95% >=24 Hr |
| | % of Orders given jeopardy notice (Mechanized) | | | |
| | • Resale Residence | X | | |
| | • Resale Business | X | | |
| | • Resale Design | X | | |
| | • Resale PBX | X | | |
| | • Resale Centrex | X | | |
| | • Resale IDSN | X | | |
| | • UNE Loop and Port Combos | | Retail Residence and Business | |
| | • UNE 2w Loop with NP – Non-Design | | Retail Residence and Business | |
| | • UNE 2w Loop without NP – Non-Design | | Retail Residence and Business | |
| | • UNE Loop Other with NP Non-Design | | Retail Residence and Business | |

| APPENDIX D | | | | |
|-------------------------------|--|-------------------------------------|--------------------------------|-------------------|
| Analogs and Benchmarks | | | | |
| BST SQM Category | MEASURES AND SUB-METRICS | RESALE Retail Analogue | UNES Retail Analogue | Benchmark* |
| | • UNE Loop Other without NP Non-Design | | Retail Residence and Business | |
| | • UNE Other Non Design | | Retail Residence and Business | |
| | • UNE 2w Loop with NP – Design | | Retail Residence and Business | |
| | • UNE 2w Loop without NP – Design | | Retail Residence and Business | |
| | • UNE Loop Other with NP – Design | | Retail Design | |
| | • UNE Loop Other without NP - Design | | Retail Design | |
| | • UNE Other Design | | Retail Design | |
| | • Local Interconnection Trunks | X | | |
| | <u>Percent Missed Installation Appointments</u> | | | |
| | • Resale Residence | X | | |
| | • Resale Business | X | | |
| | • Resale Design | X | | |
| | • Resale PBX | X | | |
| | • Resale Centrex | X | | |
| | • Resale IDSN | X | | |
| | • UNE Loop and Port Combos | | Retail Residence and Business | |
| | • UNE 2w Loop with NP – Non-Design | | Retail Residence and Business | |
| | • UNE 2w Loop without NP – Non-Design | | Retail Residence and Business | |
| | • UNE Loop Other with NP Non-Design | | Retail Residence and Business | |
| | • UNE Loop Other without NP Non-Design | | Retail Residence and Business | |
| | • UNE Other Non Design | | Retail Residence and Business | |
| | • UNE 2w Loop with NP – Design | | Retail Residence and Business | |
| | • UNE 2w Loop without NP – Design | | Retail Residence and Business | |
| | • UNE Loop Other with NP – Design | | Retail Design | |
| | • UNE Loop Other without NP – Design | | Retail Design | |
| | • UNE Other Design | | Retail Design | |
| | • Local Interconnection Trunks | X | | |
| | <u>Order Completion Interval</u> | | | |
| | • Resale Residence | X | | |
| | • Resale Business | X | | |
| | • Resale Design | X | | |
| | • Resale PBX | X | | |
| | • Resale Centrex | X | | |

| APPENDIX D Analog and Benchmarks | | | | |
|---|---|---------------------------------------|---------------------------------|-------------------|
| BST SQM Category | MEASURES AND SUB-METRICS | RESALE Retail Analogue | UNES Retail Analogue | Benchmark* |
| | • Resale IDSN | X | | |
| | • UNE Loop and Port Combos | | Retail Residence and Business | |
| | • UNE 2w Loop with NP – Non-Design | | Retail Residence and Business | |
| | • UNE 2w Loop without NP – Non-Design | | Retail Residence and Business | |
| | • UNE Loop Other with NP Non-Design | | Retail Residence and Business | |
| | • UNE Loop Other without NP Non-Design | | Retail Residence and Business | |
| | • UNE Other Non Design | | Retail Residence and Business | |
| | • UNE 2w Loop with NP – Design | | Retail Residence and Business | |
| | • UNE 2w Loop without NP – Design | | Retail Residence and Business | |
| | • UNE Loop Other with NP – Design | | Retail Design | |
| | • UNE Loop Other without NP - Design | | Retail Design | |
| | • UNE Other Design | | Retail Design | |
| | • Local Interconnection Trunks | X | | |
| | <u>Average Completion Notice Interval – Resale POTS (Mech)</u> | | | |
| | • Resale Residence | X | | |
| | • Resale Business | X | | |
| | • Resale Design | X | | |
| | • Resale PBX | X | | |
| | • Resale Centrex | X | | |
| | • Resale IDSN | X | | |
| | • UNE Loop and Port Combos | | Retail Residence and Business | |
| | • UNE 2w Loop with NP – Non-Design | | Retail Residence and Business | |
| | • UNE 2w Loop without NP – Non-Design | | Retail Residence and Business | |
| | • UNE Loop Other with NP Non-Design | | Retail Residence and Business | |
| | • UNE Loop Other without NP Non-Design | | Retail Residence and Business | |
| | • UNE Other Non Design | | Retail Residence and Business | |
| | • UNE 2w Loop with NP – Design | | Retail Residence and Business | |
| | • UNE 2w Loop without NP – Design | | Retail Residence and Business | |
| | • UNE Loop Other with NP – Design | | Retail Design | |
| | • UNE Loop Other without NP - Design | | Retail Design | |
| | • UNE Other Design | | Retail Design | |
| | • Local Interconnection Trunks | X | | |
| | <u>Percent Provisioning Troubles within 30 Days</u> | | | |

| APPENDIX D | | | | |
|-------------------------------|--|-------------------------------------|--------------------------------|-------------------|
| Analogs and Benchmarks | | | | |
| BST SQM Category | MEASURES AND SUB-METRICS | RESALE Retail Analogue | UNES Retail Analogue | Benchmark* |
| | • Resale Residence | X | | |
| | • Resale Business | X | | |
| | • Resale Design | X | | |
| | • Resale PBX | X | | |
| | • Resale Centrex | X | | |
| | • Resale IDSN | X | | |
| | • UNE Loop and Port Combos | | Retail Residence and Business | |
| | • UNE 2w Loop with NP – Non-Design | | Retail Residence and Business | |
| | • UNE 2w Loop without NP – Non-Design | | Retail Residence and Business | |
| | • UNE Loop Other with NP Non-Design | | Retail Residence and Business | |
| | • UNE Loop Other without NP Non-Design | | Retail Residence and Business | |
| | • UNE Other Non Design | | Retail Residence and Business | |
| | • UNE 2w Loop with NP – Design | | Retail Residence and Business | |
| | • UNE 2w Loop without NP – Design | | Retail Residence and Business | |
| | • UNE Loop Other with NP – Design | | Retail Design | |
| | • UNE Loop Other without NP - Design | | Retail Design | |
| | • UNE Other Design | | Retail Design | |
| | • Local Interconnection Trunks | X | | |
| | <u>Total Service Order Cycle Time</u> | Diag. | Diagnostic | Diagnostic |
| Maintenance | <u>Customer Trouble Report Rate</u> | | | |
| | • Resale Residence | X | | |
| | • Resale Business | X | | |
| | • Resale Design | X | | |
| | • Resale PBX | X | | |
| | • Resale Centrex | X | | |
| | • Resale IDSN | X | | |
| | • UNE Loop and Port Combos | | Retail Residence and Business | |
| | • UNE 2w Loop – Non-Design | | Retail Residence and Business | |
| | • UNE Loop Other - Non-Design | | Retail Residence and Business | |
| | • UNE Other Non Design | | Retail Residence and Business | |
| | • UNE 2w Loop – Design | | Retail Residence and Business | |
| | • UNE Loop Other – Design | | Retail Design | |
| | • UNE Other Design | | Retail Design | |

| APPENDIX D | | | | |
|-------------------------------|--|-------------------------------------|--------------------------------|-------------------|
| Analogs and Benchmarks | | | | |
| BST SQM Category | MEASURES AND SUB-METRICS | RESALE Retail Analogue | UNES Retail Analogue | Benchmark* |
| | • Local Interconnection Trunks | X | | |
| | <u>Percent Missed Repair Appointments</u> | | | |
| | • Resale Residence | X | | |
| | • Resale Business | X | | |
| | • Resale Design | X | | |
| | • Resale PBX | X | | |
| | • Resale Centrex | X | | |
| | • Resale IDSN | X | | |
| | • UNE Loop and Port Combos | | Retail Residence and Business | |
| | • UNE 2w Loop – Non-Design | | Retail Residence and Business | |
| | • UNE Loop Other - Non-Design | | Retail Residence and Business | |
| | • UNE Other Non Design | | Retail Residence and Business | |
| | • UNE 2w Loop – Design | | Retail Residence and Business | |
| | • UNE Loop Other – Design | | Retail Design | |
| | • UNE Other Design | | Retail Design | |
| | • Local Interconnection Trunks | X | | |
| | <u>Maintenance Average Duration</u> | | | |
| | • Resale Residence | X | | |
| | • Resale Business | X | | |
| | • Resale Design | X | | |
| | • Resale PBX | X | | |
| | • Resale Centrex | X | | |
| | • Resale IDSN | X | | |
| | • UNE Loop and Port Combos | | Retail Residence and Business | |
| | • UNE 2w Loop – Non-Design | | Retail Residence and Business | |
| | • UNE Loop Other - Non-Design | | Retail Residence and Business | |
| | • UNE Other Non Design | | Retail Residence and Business | |
| | • UNE 2w Loop – Design | | Retail Residence and Business | |
| | • UNE Loop Other – Design | | Retail Design | |
| | • UNE Other Design | | Retail Design | |
| | • Local Interconnection Trunks | X | | |
| | <u>Percent Repeat Troubles within 30 Days</u> | | | |
| | • Resale Residence | X | | |

| APPENDIX D | | | | |
|-------------------------------|---|-------------------------------------|--------------------------------|-------------------|
| Analogs and Benchmarks | | | | |
| BST SQM Category | MEASURES AND SUB-METRICS | RESALE Retail Analogue | UNES Retail Analogue | Benchmark* |
| | • Resale Business | X | | |
| | • Resale Design | X | | |
| | • Resale PBX | X | | |
| | • Resale Centrex | X | | |
| | • Resale IDSN | X | | |
| | • UNE Loop and Port Combos | | Retail Residence and Business | |
| | • UNE 2w Loop – Non-Design | | Retail Residence and Business | |
| | • UNE Loop Other - Non-Design | | Retail Residence and Business | |
| | • UNE Other Non Design | | Retail Residence and Business | |
| | • UNE 2w Loop – Design | | Retail Residence and Business | |
| | • UNE Loop Other – Design | | Retail Design | |
| | • UNE Other Design | | Retail Design | |
| | • Local Interconnection Trunks | X | | |
| | <u>Out of Service > 24hrs</u> | | | |
| | • Resale Residence | X | | |
| | • Resale Business | X | | |
| | • Resale Design | X | | |
| | • Resale PBX | X | | |
| | • Resale Centrex | X | | |
| | • Resale IDSN | X | | |
| | • UNE Loop and Port Combos | | Retail Residence and Business | |
| | • UNE 2w Loop – Non-Design | | Retail Residence and Business | |
| | • UNE Loop Other - Non-Design | | Retail Residence and Business | |
| | • UNE Other Non Design | | Retail Residence and Business | |
| | • UNE 2w Loop – Design | | Retail Residence and Business | |
| | • UNE Loop Other – Design | | Retail Design | |
| | • UNE Other Design | | Retail Design | |
| | • Local Interconnection Trunks | X | | |
| | <u>OSS Interface Availability</u> | | | |
| | • All systems except ECTA | X | | |
| | • ECTA | | | 99.5% |
| | <u>OSS Response Interval and %</u> | | | |
| | • TAFI (Front End) | X | | |

| APPENDIX D Analog and Benchmarks | | | | |
|---|--|---------------------------------------|---------------------------------|-------------------|
| BST SQM Category | MEASURES AND SUB-METRICS | RESALE Retail Analogue | UNES Retail Analogue | Benchmark* |
| | <ul style="list-style-type: none"> CRIS, DLETH, DLR, OSPCM, LMOS, LMOSUP, MARCH, Predictor, SOCS, LNP (Parity by Design) | PBD | | |
| | <u>Average Answer Time – Repair Center</u> | X | | |
| Billing | <u>Invoice Accuracy</u> | X | | |
| | Mean Time To Deliver Invoices | X | | |
| | Usage Data Delivery Accuracy | X | | |
| | Usage Data Delivery Timeliness | X | | |
| | Usage Data Delivery Completeness | X | | |
| | Mean Time to Deliver Usage | X | | |
| Operator Services (Toll) | Average Speed to Answer | PBD | | |
| | % Answered in “X” Seconds | PBD | | |
| Directory Assistance | Average Speed to Answer | PBD | | |
| | % Answered in “X” Seconds | PBD | | |
| E911 | Timeliness | PBD | | |
| | <u>Accuracy</u> | PBD | | |
| | Mean Interval | PBD | | |
| Trunk Group Performance (Blockage) | Trunk Group Service Report (Percent Trunk Blockage) Any 2 hour period in 24 hours where CLEC blockage exceeds BST blockage by more than 0.5% = a miss using trunk groups 1, 3, 4, 5, 10, 16 for CLECs and 9 for BST. | X | | |
| | Trunk Group Service Report (Percent Trunk Blockage) | X | | |
| LNP | <u>Average Disconnect Timeliness Interval</u> | | | |
| | Percent Missed Installation Appointments | | Retail Residence and Business | |
| | FOC Mechanized | | | 95% ≤4 hour |
| | % Reject Service Request | | Diagnostic | |
| | Average Reject Interval Mechanized | | | 95% ≤1 hour |
| | TSOC | | Diagnostic | |
| | % Flow Through | | | 80% |

| APPENDIX D Analog and Benchmarks | | | | |
|---|---|---------------------------------------|--|---------------------|
| BST SQM Category | MEASURES AND SUB-METRICS | RESALE Retail Analogue | UNES Retail Analogue | Benchmark* |
| | | | | |
| Customer Coordinated Conversions | <u>Coordinated Customer Conversions – UNE Loop</u> | | | 95% ≤ 15mir |
| | <u>Coordinated Customer Conversions – LNP</u> | | | 95% ≤ 15 mi |
| | | | | |
| Collocation + | % of Due Dates Missed | | | 90% ≤ Comrr Date |
| | Average Response Time | | FL PSC is addressing this in generic docket | |
| +A contract with each CLEC required. | <u>Average Arrangement Time</u> | | FL PSC is addressing this in generic docket | |

Note 1: PBD = Parity by Design. UD = Under Development – Benchmarks will be replaced when Analogs are complete.

Note2: The retail analog for UNE Non-Design and UNE 2w Loops – Design is the average of Retail Residence Dispatch and Retail Business Dispatch transactions for the particular month. The retail analog for other UNE Design is Retail Design Dispatch.

Note3: Analog and Benchmarks will be re-evaluated periodically, at least once a year, to validate applicability.

EXHIBIT B

VSEEMIII TIER-1 SUBMETRICS

- ❑ FOC Timeliness (Mechanized only)
- ❑ Reject Interval (Mechanized only)
- ❑ Order Completion Interval (Dispatch only) – Resale POTS
- ❑ Order Completion Interval (Dispatch only) – Resale Design
- ❑ Order Completion Interval (No Dispatch only) – UNE Loop and Port Combos
- ❑ Order Completion Interval ('w' code orders, Dispatch only) – UNE Loops
- ❑ Order Completion Interval (Dispatch only) – IC Trunks
- ❑ Percent Missed Installation Appointments – Resale POTS
- ❑ Percent Missed Installation Appointments – Resale Design
- ❑ Percent Missed Installation Appointments – UNE Loop and Port Combos
- ❑ Percent Missed Installation Appointments – UNE Loops
- ❑ Percent Provisioning Troubles within 4 Days - Resale POTS
- ❑ Percent Provisioning Troubles within 4 Days - Resale Design
- ❑ Percent Provisioning Troubles within 4 Days - UNE Loop and Port Combos
- ❑ Percent Provisioning Troubles within 4 Days - UNE Loops
- ❑ Customer Trouble Report Rate – Resale POTS
- ❑ Customer Trouble Report Rate – Resale Design
- ❑ Customer Trouble Report Rate - UNE Loop and Port Combos
- ❑ Customer Trouble Report Rate - UNE Loops
- ❑ Percent Missed Repair Appointments – Resale POTS
- ❑ Percent Missed Repair Appointments - Resale Design
- ❑ Percent Missed Repair Appointments - UNE Loop and Port Combos
- ❑ Percent Missed Repair Appointments - UNE Loops
- ❑ Maintenance Average Duration – Resale POTS
- ❑ Maintenance Average Duration – Resale Design
- ❑ Maintenance Average Duration - UNE Loop and Port Combos
- ❑ Maintenance Average Duration - UNE Loops
- ❑ Maintenance Average Duration – IC Trunks
- ❑ Percent Repeat Troubles within 30 Days – Resale POTS
- ❑ Percent Repeat Troubles within 30 Days – Resale Design
- ❑ Percent Repeat Troubles within 30 Days - UNE Loop and Port Combos
- ❑ Percent Repeat Troubles within 30 Days - UNE Loops
- ❑ Percent Trunk Blockage
- ❑ LNP Disconnect Timeliness
- ❑ LNP Percent Missed Installation Appointment
- ❑ Coordinated Customer Conversions for UNE Loops
- ❑ Coordinated Customer Conversions for LNP
- ❑ Percent Missed Collocation Due Dates

VSEEMIII TIER-2 SUBMETRICS

- ❑ Percent Response Received within “X” seconds – Pre-Order OSS
- ❑ OSS Interface Availability
- ❑ Order Process Percent Flow-Through (Mechanized only)
- ❑ Order Completion Interval (Dispatch only) – Resale POTS
- ❑ Order Completion Interval (Dispatch only) – Resale Design
- ❑ Order Completion Interval (No Dispatch only) – UNE Loop and Port Combos
- ❑ Order Completion Interval (‘w’ code orders, Dispatch only) – UNE Loops
- ❑ Order Completion Interval (Dispatch only) – IC Trunks
- ❑ Percent Missed Installation Appointments – Resale POTS
- ❑ Percent Missed Installation Appointments – Resale Design
- ❑ Percent Missed Installation Appointments – UNE Loop and Port Combos
- ❑ Percent Missed Installation Appointments – UNE Loops
- ❑ Percent Provisioning Troubles within 4 Days - Resale POTS
- ❑ Percent Provisioning Troubles within 4 Days - Resale Design
- ❑ Percent Provisioning Troubles within 4 Days - UNE Loop and Port Combos
- ❑ Percent Provisioning Troubles within 4 Days - UNE Loops
- ❑ Customer Trouble Report Rate – Resale POTS
- ❑ Customer Trouble Report Rate – Resale Design
- ❑ Customer Trouble Report Rate - UNE Loop and Port Combos
- ❑ Customer Trouble Report Rate - UNE Loops
- ❑ Percent Missed Repair Appointments – Resale POTS
- ❑ Percent Missed Repair Appointments - Resale Design
- ❑ Percent Missed Repair Appointments - UNE Loop and Port Combos
- ❑ Percent Missed Repair Appointments - UNE Loops
- ❑ Maintenance Average Duration – Resale POTS
- ❑ Maintenance Average Duration – Resale Design
- ❑ Maintenance Average Duration - UNE Loop and Port Combos
- ❑ Maintenance Average Duration - UNE Loops
- ❑ Maintenance Average Duration – IC Trunks
- ❑ Percent Repeat Troubles within 30 Days – Resale POTS
- ❑ Percent Repeat Troubles within 30 Days – Resale Design
- ❑ Percent Repeat Troubles within 30 Days - UNE Loop and Port Combos
- ❑ Percent Repeat Troubles within 30 Days - UNE Loops
- ❑ Billing Timeliness
- ❑ Billing Accuracy
- ❑ Usage Data Delivery Timeliness
- ❑ Usage Data Delivery Accuracy
- ❑ Percent Trunk Blockage
- ❑ LNP Disconnect Timeliness
- ❑ LNP Percent Missed Installation Appointment
- ❑ Coordinated Customer Conversions for UNE Loops
- ❑ Coordinated Customer Conversions for LNP
- ❑ Percent Missed Collocation Due Dates

VSEEMIII TIER-3 SUBMETRICS

- ❑ Percent Missed Installation Appointments – Resale POTS
- ❑ Percent Missed Installation Appointments – Resale Design
- ❑ Percent Missed Installation Appointments – UNE Loop and Port Combos
- ❑ Percent Missed Installation Appointments – UNE Loops
- ❑ Percent Missed Repair Appointments – Resale POTS
- ❑ Percent Missed Repair Appointments - Resale Design
- ❑ Percent Missed Repair Appointments - UNE Loop and Port Combos
- ❑ Percent Missed Repair Appointments - UNE Loops
- ❑ Billing Timeliness
- ❑ Billing Accuracy
- ❑ Percent Trunk Blockage
- ❑ Percent Missed Collocation Due Dates

| VSEEM III | MEASURES AND SUB-METRICS | RETAIL ANALOGUE | BENCH MARK |
|------------------|--|--|-------------------|
| | | Resale (x) and UNEs | |
| Pre-Ordering | Percent Response Received within "X" seconds | Retail Analogue + 4 sec | |
| | OSS Interface Availability | x | |
| Ordering | Percent Flow-Through Service Request (Fully Mechanized only) | | 90% |
| | Firm Order Confirmation Timeliness (Mechanized only) | | 95% ≤ hrs |
| | Reject Interval (Mechanized only) | | 95% ≤ hrs |
| Provisioning | Order Completion Interval (Dispatch only) – Resale POTS | x | |
| | Order Completion Interval (Dispatch only) – Resale Design | x | |
| | Order Completion Interval (No Dispatch only) – UNE Loop & Port Combos | Retail Residence and Business | |
| | Order Completion Interval (Dispatch only) – UNE Loops | Design: Retail Design Dispatch 'w' Orders Non-Design: Retail Res, Bus Dispatch 'w' Orders | |
| | Order Completion Interval (Dispatch only) – IC Trunks | x | |
| | Percent Missed Installation Appointments – Resale POTS | x | |
| | Percent Missed Installation Appointments – Resale Design | x | |
| | Percent Missed Installation Appointments – UNE Loop and Port Combos | Retail Residence and Business | |
| | Percent Missed Installation Appointments – UNE Loops | Design: Retail Design ¹ Non-Design: Retail Res, Bus ¹ | |
| | Percent Provisioning Troubles within 4 Days - Resale POTS | x | |
| | Percent Provisioning Troubles within 4 Days - Resale Design | x | |
| | Percent Provisioning Troubles within 4 Days - UNE Loop and Port Combos | Retail Residence and Business | |
| | Percent Provisioning Troubles within 4 Days - UNE Loops | Design: Retail Design ¹ Non-Design: Retail Res, Bus ¹ | |
| Maintenance | Customer Trouble Report Rate – Resale POTS | x | |
| | Customer Trouble Report Rate – Resale Design | x | |
| | Customer Trouble Report Rate - UNE Loop and Port Combos | Retail Residence and Business | |
| | Customer Trouble Report Rate - UNE Loops | Design: Retail Design ¹ Non-Design: Retail Res, Bus ¹ | |
| | Percent Missed Repair Appointments – Resale POTS | x | |
| | Percent Missed Repair Appointments - Resale Design | x | |
| | Percent Missed Repair Appointments - UNE Loop and Port Combos | Retail Residence and Business | |
| | Percent Missed Repair Appointments - UNE Loops | Design: Retail Design ¹ Non-Design: Retail Res, Bus ¹ | |

NOTES: ¹ The retail analog for UNE Non-Design is the average of all retail residence and retail business transactions for the particular month.
 The retail analog for UNE Design is calculated similarly using retail residence, business and design results.
² UD = Under Development

| | | | |
|-----------------------|---|--|-----------------|
| Maintenance Continued | Maintenance Average Duration – Resale POTS | x | |
| | Maintenance Average Duration – Resale Design | x | |
| | Maintenance Average Duration - UNE Loop and Port Combos | Retail Residence and Business | |
| | Maintenance Average Duration - UNE Loops | Design: Retail Design ¹ Non-Design: Retail Res, Bus ¹ | |
| | Maintenance Average Duration – IC Trunks | x | |
| | Percent Repeat Troubles within 30 Days – Resale POTS | x | |
| | Percent Repeat Troubles within 30 Days – Resale Design | x | |
| | Percent Repeat Troubles within 30 Days - UNE Loop and Port Combos | Retail Residence and Business | |
| | Percent Repeat Troubles within 30 Days - UNE Loops | Design: Retail Design ¹ Non-Design: Retail Res, Bus ¹ | |
| Billing | Invoice Accuracy | x | |
| | Mean Time To Deliver Invoices | x | |
| | Usage Data Delivery Accuracy | x | |
| | Usage Data Delivery Timeliness | x | |
| Trunk Blockage | Trunk Group Service Report (Percent Trunk Blockage) | x | |
| LNP | Average Disconnect Timeliness Interval | | UD ² |
| | Percent Missed Installation Appointments | | UD ² |
| CC | Coordinated Customer Conversions – UNE Loop | | 95% ≤ 15min |
| Conversions | Coordinated Customer Conversions – LNP | | 95% ≤ 15 min |
| Collocation | % of Due Dates Missed | | ≤ 10% |

NOTES: ¹ The retail analog for UNE Non-Design is the average of all retail residence and retail business transactions for the particular month.
 The retail analog for UNE Design is calculated similarly using retail residence, business and design results.
² UD = Under Development

EXHIBIT C

Statistical Methods for BellSouth Performance Measure Analysis

I. Necessary Properties for a Test Methodology

The statistical process for testing if competing local exchange carriers (CLECs) customers are being treated equally with BellSouth (BST) customers involves more than just a mathematical formula. Three key elements need to be considered before an appropriate decision process can be developed. These are

- the type of data,
- the type of comparison, and
- the type of performance measure.

Once these elements are determined a test methodology should be developed that complies with the following properties.

- Like-to-Like Comparisons. When possible, data should be compared at appropriate levels, e.g. wire center, time of month, dispatched, residential, new orders. The testing process should:
 - Identify variables that may affect the performance measure.
 - Record these important confounding covariates.
 - Adjust for the observed covariates in order to remove potential biases and to make the CLEC and the ILEC units as comparable as possible.
- Aggregate Level Test Statistic. Each performance measure of interest should be summarized by one overall test statistic giving the decision maker a rule that determines whether a statistically significant difference exists. The test statistic should have the following properties.
 - The method should provide a single overall index, on a standard scale.
 - If entries in comparison cells are exactly proportional over a covariate, the aggregated index should be very nearly the same as if comparisons on the covariate had not been done.
 - The contribution of each comparison cell should depend on the number of observations in the cell.
 - Cancellation between comparison cells should be limited.
 - The index should be a continuous function of the observations.
- Production Mode Process. The decision system must be developed so that it does not require intermediate manual intervention, i.e. the process must be a “black box.”
 - Calculations are well defined for possible eventualities.
 - The decision process is an algorithm that needs no manual intervention.
 - Results should be arrived at in a timely manner.
 - The system must recognize that resources are needed for other performance measure-related processes that also must be run in a timely manner.
 - The system should be auditable, and adjustable over time.
- Balancing. The testing methodology should balance Type I and Type II Error probabilities.
 - $P(\text{Type I Error}) = P(\text{Type II Error})$ for well defined null and alternative hypotheses.
 - The formula for a test’s balancing critical value should be simple enough to calculate using standard mathematical functions, i.e. one should avoid methods that require computationally intensive techniques.

- Little to no information beyond the null hypothesis, the alternative hypothesis, and the number of observations should be required for calculating the balancing critical value.

In the following sections we describe appropriate testing processes that adhere as much as possible to the testing principles.

Measurement Types

The performance measures that will undergo testing are of three types:

- 1) means
- 2) proportions, and
- 3) rates

While all three have similar characteristics (a proportion is the average of a measure that takes on only the values of 0 or 1), a proportion or rate is derived from count data while a mean is generally an average of interval measurements.

II. Testing Methodology – The Truncated Z

Many covariates are chosen in order to provide deep comparison levels. In each comparison cell, a Z statistic is calculated. The form of the Z statistic may vary depending on the performance measure, but it should be distributed approximately as a standard normal, with mean zero and variance equal to one. Assuming that the test statistic is derived so that it is negative when the performance for the CLEC is worse than for the ILEC, a positive truncation is done – i.e. if the result is negative it is left alone, if the result is positive it is changed to zero. A weighted average of the truncated statistics is calculated where a cell weight depends on the volume of BST and CLEC orders in the cell. The weighted average is re-centered by the theoretical mean of a truncated distribution, and this is divided by the standard error of the weighted average. The standard error is computed assuming a fixed effects model.

Proportion Measures

For performance measures that are calculated as a proportion, in each adjustment cell, the truncated Z and the moments for the truncated Z can be calculated in a direct manner. In adjustment cells where proportions are not close to zero or one, and where the sample sizes are reasonably large, a normal approximation can be used. In this case, the moments for the truncated Z come directly from properties of the standard normal distribution. If the normal approximation is not appropriate, then the Z statistic is calculated from the hypergeometric distribution. In this case, the moments of the truncated Z are calculated exactly using the hypergeometric probabilities.

Rate Measures

The truncated Z methodology for rate measures has the same general structure for calculating the Z in each cell as proportion measures. For a rate measure, there are a fixed number of circuits or units for the CLEC, n_{2j} and a fixed number of units for BST, n_{1j} . Suppose that the performance measure is a “trouble rate.” The modeling assumption is that the occurrence of a trouble is independent between units and the number of troubles in n circuits follows a Poisson distribution with mean λn where λ is the probability of a trouble in 1 circuit and n is the number of circuits.

In an adjustment cell, if the number of CLEC troubles is greater than 15 and the number of BST troubles is greater than 15, then the Z test is calculated using the normal approximation to the Poisson. In this case, the moments of the truncated Z come directly from properties of the standard normal distribution. Otherwise, if there are very few troubles, the number of CLEC troubles can be modeled using a binomial distribution with n equal to the total number of troubles (CLEC plus BST troubles.) In this case, the moments for the truncated Z are calculated explicitly using the binomial distribution.

Mean Measures

For mean measures, an adjusted t statistic is calculated for each like-to-like cell which has at least 7 BST and 7 CLEC transactions. A permutation test is used when one or both of the BST and CLEC sample sizes is less than 6. Both the adjusted t statistic and the permutation calculation are described in the technical appendix.

APPENDIX TECHNICAL DESCRIPTION

We start by assuming that any necessary trimming of the data is complete, and that the data are disaggregated so that comparisons are made within appropriate classes or adjustment cells that define “like” observations.

NOTATION AND EXACT TESTING DISTRIBUTIONS

Below, we have detailed the basic notation for the construction of the truncated z statistic. In what follows the word “cell” should be taken to mean a like-to-like comparison cell that has both one (or more) ILEC observation and one (or more) CLEC observation.

- L = the total number of occupied cells
 - j = 1, ..., L; an index for the cells
 - n_{1j} = the number of ILEC transactions in cell j
 - n_{2j} = the number of CLEC transactions in cell j
 - n_j = the total number transactions in cell j; $n_{1j} + n_{2j}$
 - X_{1jk} = individual ILEC transactions in cell j; $k = 1, \dots, n_{1j}$
 - X_{2jk} = individual CLEC transactions in cell j; $k = 1, \dots, n_{2j}$
 - Y_{jk} = individual transaction (both ILEC and CLEC) in cell j
- $$= \begin{cases} X_{1jk} & k = 1, \dots, n_{1j} \\ X_{2jk} & k = n_{1j} + 1, \dots, n_j \end{cases}$$

$\Phi^{-1}(\cdot)$ = the inverse of the cumulative standard normal distribution function

For Mean Performance Measures the following additional notation is needed.

- \bar{X}_{1j} = the ILEC sample mean of cell j
 - \bar{X}_{2j} = the CLEC sample mean of cell j
 - S_{1j}^2 = the ILEC sample variance in cell j
 - S_{2j}^2 = the CLEC sample variance in cell j
 - y_{jk} = a random sample of size n_{2j} from the set of Y_{j1}, \dots, Y_{jn_j} ; $k = 1, \dots, n_{2j}$
 - M_j = the total number of distinct pairs of samples of size n_{1j} and n_{2j} ;
- $$= \binom{n_j}{n_{1j}}$$

The exact parity test is the permutation test based on the "modified Z" statistic. For large samples, we can avoid permutation calculations since this statistic will be normal (or Student's t) to a good approximation. For small samples, where we cannot avoid permutation calculations, we have found that the difference between "modified Z" and the textbook "pooled Z" is negligible. We therefore propose to use the permutation test based on pooled Z for small samples. This decision speeds up the permutation computations considerably, because for each permutation we need only compute the sum of the CLEC sample values, and not the pooled statistic itself.

A permutation probability mass function distribution for cell j, based on the “pooled Z” can be written as

$$PM(t) = P\left(\sum_k y_{jk} = t\right) = \frac{\text{the number of samples that sum to } t}{M_j},$$

and the corresponding cumulative permutation distribution is

$$CPM(t) = P\left(\sum_k y_{jk} \leq t\right) = \frac{\text{the number of samples with sum } \leq t}{M_j}.$$

For Proportion Performance Measures the following notation is defined

- a_{1j} = the number of ILEC cases possessing an attribute of interest in cell j
- a_{2j} = the number of CLEC cases possessing an attribute of interest in cell j
- a_j = the number of cases possessing an attribute of interest in cell j ; $a_{1j} + a_{2j}$

The exact distribution for a parity test is the hypergeometric distribution. The hypergeometric probability mass function distribution for cell j is

$$HG(h) = P(H = h) = \begin{cases} \frac{\binom{n_{1j}}{h} \binom{n_{2j}}{a_j - h}}{\binom{n_j}{a_j}}, & \max(0, a_j - n_{2j}) \leq h \leq \min(a_j, n_{1j}) \\ 0 & \text{otherwise} \end{cases},$$

and the cumulative hypergeometric distribution is

$$CHG(x) = P(H \leq x) = \begin{cases} 0 & x < \max(0, a_j - n_{1j}) \\ \sum_{h=\max(0, a_j - n_{1j})}^x HG(h), & \max(0, a_j - n_{1j}) \leq x \leq \min(a_j, n_{2j}) \\ 1 & x > \min(a_j, n_{2j}) \end{cases}.$$

For Rate Measures, the notation needed is defined as

- b_{1j} = the number of ILEC base elements in cell j
- b_{2j} = the number of CLEC base elements in cell j
- b_j = the total number of base elements in cell j ; $b_{1j} + b_{2j}$
- \hat{r}_{1j} = the ILEC sample rate of cell j ; n_{1j}/b_{1j}
- \hat{r}_{2j} = the CLEC sample rate of cell j ; n_{2j}/b_{2j}
- q_j = the relative proportion of CLEC elements for cell j ; b_{2j}/b_j

The exact distribution for a parity test is the binomial distribution. The binomial probability mass function distribution for cell j is

$$BN(k) = P(B = k) = \begin{cases} \binom{n_j}{k} q_j^k (1 - q_j)^{n_j - k}, & 0 \leq k \leq n_j \\ 0 & \text{otherwise} \end{cases}$$

and the cumulative binomial distribution is

$$CBN(x) = P(B \leq x) = \begin{cases} 0 & x < 0 \\ \sum_{k=0}^x BN(k), & 0 \leq x \leq n_j \\ 1 & x > n_j \end{cases}$$

CALCULATING THE TRUNCATED Z

The general methodology for calculating an aggregate level test statistic is outlined below.

1. **Calculate cell weights, W_j .** A weight based on the number of transactions is used so that a cell which has a larger number of transactions has a larger weight. The actual weight formulae will depend on the type of measure.

Mean Measure

$$W_j = \sqrt{\frac{n_{1j} n_{2j}}{n_j}}$$

Proportion Measure

$$W_j = \sqrt{\frac{n_{2j} n_{1j}}{n_j} \cdot \frac{a_j}{n_j} \cdot \left(1 - \frac{a_j}{n_j}\right)}$$

Rate Measure

$$W_j = \sqrt{\frac{b_{1j} b_{2j}}{b_j} \cdot \frac{n_j}{b_j}}$$

2. **In each cell, calculate a Z value, Z_j .** A Z statistic with mean 0 and variance 1 is needed for each cell.

- If $W_j = 0$, set $Z_j = 0$.
- Otherwise, the actual Z statistic calculation depends on the type of performance measure.

Mean Measure

$$Z_j = \Phi^{-1}(\alpha)$$

where α is determined by the following algorithm.

If $\min(n_{1j}, n_{2j}) > 6$, then determine α as

$$\alpha = P(t_{n_j-1} \leq T_j),$$

that is, α is the probability that a t random variable with $n_{1j} - 1$ degrees of freedom, is less than

$$T_j = t_j + \frac{g}{6} \left(\frac{n_{1j} + 2n_{2j}}{\sqrt{n_{1j} n_{2j} (n_{1j} + n_{2j})}} \right) \left(t^2 + \frac{n_{2j} - n_{1j}}{2n_{1j} + n_{2j}} \right),$$

where

$$t_j = \frac{\bar{X}_{1j} - \bar{X}_{2j}}{s_{1j} \sqrt{\frac{1}{n_{1j}} + \frac{1}{n_{2j}}}}$$

and the coefficient g is an estimate of the skewness of the parent population, which we assume is the same in all cells. It can be estimated from the ILEC values in the largest cells. This needs to be done only once for each measure. We have found that attempting to estimate this skewness parameter for each cell separately leads to excessive variability in the "adjusted" t . We therefore use a single compromise value in all cells.

Note, that t_j is the "modified Z" statistic. The statistic T_j is a "modified Z" corrected for the skewness of the ILEC data.

If $\min(n_{1j}, n_{2j}) \leq 6$, and

a) $M_j \leq 1,000$ (the total number of distinct pairs of samples of size n_{1j} and n_{2j} is 1,000 or less).

- Calculate the sample sum for all possible samples of size n_{2j} .
- Rank the sample sums from smallest to largest. Ties are dealt by using average ranks.
- Let R_0 be the rank of the observed sample sum with respect all the sample sums.

$$\alpha = 1 - \frac{R_0 - 0.5}{M_j}$$

b) $M_j > 1,000$

- Draw a random sample of 1,000 sample sums from the permutation distribution.
- Add the observed sample sum to the list. There is a total of 1001 sample sums. Rank the sample sums from smallest to largest. Ties are dealt by using average ranks.
- Let R_0 be the rank of the observed sample sum with respect all the sample sums.

$$\alpha = 1 - \frac{R_0 - 0.5}{1001}.$$

Proportion Measure

$$Z_j = \frac{n_j a_{1j} - n_{1j} a_j}{\sqrt{\frac{n_{1j} n_{2j} a_j (n_j - a_j)}{n_j - 1}}}.$$

Rate Measure

$$Z_j = \frac{n_{1j} - n_j q_j}{\sqrt{n_j q_j (1 - q_j)}}.$$

3. **Obtain a truncated Z value for each cell, Z_j^* .** To limit the amount of cancellation that takes place between cell results during aggregation, cells whose results suggest possible favoritism are left alone. Otherwise the cell statistic is set to zero. This means that positive equivalent Z values are set to 0, and negative values are left alone. Mathematically, this is written as

$$Z_j^* = \min(0, Z_j).$$

4. **Calculate the theoretical mean and variance of the truncated statistic under the null hypothesis of parity, $E(Z_j^* | H_0)$ and $\text{Var}(Z_j^* | H_0)$.** In order to compensate for the truncation in step 3, an aggregated, weighted sum of the Z_j^* will need to be centered and scaled properly so that the final aggregate statistic follows a standard normal distribution.

- If $W_j = 0$, then no evidence of favoritism is contained in the cell. The formulae for calculating $E(Z_j^* | H_0)$ and $\text{Var}(Z_j^* | H_0)$ cannot be used. Set both equal to 0.
- If $\min(n_{1j}, n_{2j}) > 6$ for a mean measure, $\min\left\{a_{1j}\left(1 - \frac{a_{1j}}{n_{1j}}\right), a_{2j}\left(1 - \frac{a_{2j}}{n_{2j}}\right)\right\} > 9$ for a proportion measure, or $\min(n_{1j}, n_{2j}) > 15$ and $n_j q_j (1 - q_j) > 9$ for a rate measure then

$$E(Z_j^* | H_0) = -\frac{1}{\sqrt{2\pi}}, \text{ and}$$

$$\text{Var}(Z_j^* | H_0) = \frac{1}{2} - \frac{1}{2\pi}.$$

- Otherwise, determine the total number of values for Z_j^* . Let z_{ji} and θ_{ji} , denote the values of Z_j^* and the probabilities of observing each value, respectively.

$$E(Z_j^* | H_0) = \sum_i \theta_{ji} z_{ji}, \text{ and}$$

$$\text{Var}(Z_j^* | H_0) = \sum_i \theta_{ji} z_{ji}^2 - [E(Z_j^* | H_0)]^2.$$

The actual values of the z's and θ 's depends on the type of measure, and the sums in the equations are over all possible values of the index i.

Mean Measure

$$N_j = \min(M_j, 1,000), \quad i = 1, \dots, N_j$$

$$z_{ji} = \min \left\{ 0, 1 - \Phi^{-1} \left(\frac{R_i - 0.5}{N_j} \right) \right\} \quad \text{where } R_i \text{ is the rank of sample sum } i$$

$$\theta_j = \frac{1}{N_j}$$

Proportion Measure

$$z_{ji} = \min \left\{ 0, \frac{n_j i - n_{1j} a_j}{\sqrt{\frac{n_{1j} n_{2j} a_j (n_j - a_j)}{n_j - 1}}} \right\}, \quad i = \min(a_j, n_{2j}), \dots, \max(0, a_j - n_{1j})$$

$$\theta_{ji} = \text{HG}(i)$$

Rate Measure

$$z_{ji} = \min \left\{ 0, \frac{i - n_j q_j}{\sqrt{n_j q_j (1 - q_j)}} \right\}, \quad i = 0, \dots, n_j$$

$$\theta_{ji} = \text{BN}(i)$$

5. Calculate the aggregate test statistic, Z^T .

$$Z^T = \frac{\sum_j W_j Z_j^* - \sum_j W_j E(Z_j^* | H_0)}{\sqrt{\sum_j W_j^2 \text{Var}(Z_j^* | H_0)}}$$

The Balancing Critical Value

There are four key elements of the statistical testing process:

1. the null hypothesis, H_0 , that parity exists between ILEC and CLEC services
2. the alternative hypothesis, H_a , that the ILEC is giving better service to its own customers
3. the Truncated Z test statistic, Z^T , and
4. a critical value, c

The decision rule¹ is

- If $Z^T < c$ then accept H_a .
- If $Z^T \geq c$ then accept H_0 .

There are two types of error possible when using such a decision rule:

¹ This decision rule assumes that a negative test statistic indicates poor service for the CLEC customer. If the opposite is true, then reverse the decision rule.

Type I Error: Deciding favoritism exists when there is, in fact, no favoritism.
Type II Error: Deciding parity exists when there is, in fact, favoritism.

The probabilities of each type of each are:

Type I Error: $\alpha = P(Z^T < c | H_0)$.
Type II Error: $\beta = P(Z^T \geq c | H_a)$.

We want a balancing critical value, c_B , so that $\alpha = \beta$.

It can be shown that.

$$c_B = \frac{\sum_j W_j M(m_j, se_j) - \sum_j W_j \frac{-1}{\sqrt{2\pi}}}{\sqrt{\sum_j W_j^2 V(m_j, se_j) + \sum_j W_j^2 \left(\frac{1}{2} - \frac{1}{2\pi}\right)}}$$

where

$$M(\mu, \sigma) = \mu \Phi\left(\frac{-\mu}{\sigma}\right) - \sigma \phi\left(\frac{-\mu}{\sigma}\right)$$

$$V(\mu, \sigma) = (\mu^2 + \sigma^2) \Phi\left(\frac{-\mu}{\sigma}\right) - \mu \sigma \phi\left(\frac{-\mu}{\sigma}\right) - M(\mu, \sigma)^2$$

$\Phi(\cdot)$ is the cumulative standard normal distribution function, and $\phi(\cdot)$ is the standard normal density function.

This formula assumes that Z_j is approximately normally distributed within cell j . When the cell sample sizes, n_{1j} and n_{2j} , are small this may not be true. It is possible to determine the cell mean and variance under the null hypothesis when the cell sample sizes are small. It is much more difficult to determine these values under the alternative hypothesis. Since the cell weight, W_j will also be small (see calculate weights section above) for a cell with small volume, the cell mean and variance will not contribute much to the weighted sum. Therefore, the above formula provides a reasonable approximation to the balancing critical value.

The values of m_j and se_j will depend on the type of performance measure.

Mean Measure

For mean measures, one is concerned with two parameters in each cell, namely, the mean and variance. A possible lack of parity may be due to a difference in cell means, and/or a difference in cell variances. One possible set of hypotheses that capture this notion, and take into account the assumption that transaction are identically distributed within cells is:

$$H_0: \mu_{1j} = \mu_{2j}, \sigma_{1j}^2 = \sigma_{2j}^2$$

$$H_a: \mu_{2j} = \mu_{1j} + \delta_j \cdot \sigma_{1j}, \sigma_{2j}^2 = \lambda_j \cdot \sigma_{1j}^2 \quad \delta_j > 0, \lambda_j \geq 1 \text{ and } j = 1, \dots, L.$$

Under this form of alternative hypothesis, the cell test statistic Z_j has mean and standard error given by

$$m_j = \frac{-\delta_j}{\sqrt{\frac{1}{n_{1j}} + \frac{1}{n_{2j}}}}, \text{ and}$$

$$se_j = \sqrt{\frac{\lambda_j n_{1j} + n_{2j}}{n_{1j} + n_{2j}}}$$

Proportion Measure

For a proportion measure there is only one parameter of interest in each cell, the proportion of transaction possessing an attribute of interest. A possible lack of parity may be due to a difference in cell proportions. A set of hypotheses that take into account the assumption that transaction are identically distributed within cells while allowing for an analytically tractable solution is:

$$H_0: \frac{p_{2j}(1-p_{1j})}{(1-p_{2j})p_{1j}} = 1$$

$$H_a: \frac{p_{2j}(1-p_{1j})}{(1-p_{2j})p_{1j}} = \psi_j \quad \psi_j > 1 \text{ and } j = 1, \dots, L.$$

These hypotheses are based on the “odds ratio.” If the transaction attribute of interest is a missed trouble repair, then an interpretation of the alternative hypothesis is that a CLEC trouble repair appointment is ψ_j times more likely to be missed than an ILEC trouble.

Under this form of alternative hypothesis, the within cell asymptotic mean and variance of a_{1j} are given by²

$$E(a_{1j}) = n_j \pi_j^{(1)}$$

$$\text{var}(a_{1j}) = \frac{n_j}{\frac{1}{\pi_j^{(1)}} + \frac{1}{\pi_j^{(2)}} + \frac{1}{\pi_j^{(3)}} + \frac{1}{\pi_j^{(4)}}}$$

where

² Stevens, W. L. (1951) Mean and Variance of an entry in a Contingency Table. *Biometrika*, **38**, 468-470.

$$\begin{aligned}\pi_j^{(1)} &= f_j^{(1)} \left(n_j^2 + f_j^{(2)} + f_j^{(3)} - f_j^{(4)} \right) \\ \pi_j^{(2)} &= f_j^{(1)} \left(-n_j^2 - f_j^{(2)} + f_j^{(3)} + f_j^{(4)} \right) \\ \pi_j^{(3)} &= f_j^{(1)} \left(-n_j^2 + f_j^{(2)} - f_j^{(3)} + f_j^{(4)} \right) \\ \pi_j^{(4)} &= f_j^{(1)} \left(n_j^2 \left(\frac{2}{\psi_j} - 1 \right) - f_j^{(2)} - f_j^{(3)} - f_j^{(4)} \right) \\ f_j^{(1)} &= \frac{1}{2n_j^2 \left(\frac{1}{\psi_j} - 1 \right)} \\ f_j^{(2)} &= n_j n_{1j} \left(\frac{1}{\psi_j} - 1 \right) \\ f_j^{(3)} &= n_j a_j \left(\frac{1}{\psi_j} - 1 \right) \\ f_j^{(4)} &= \sqrt{n_j^2 \left[4n_{1j} (n_j - a_j) \left(\frac{1}{\psi_j} - 1 \right) + \left(n_j + (a_j - n_{1j}) \left(\frac{1}{\psi_j} - 1 \right) \right)^2 \right]}\end{aligned}$$

Recall that the cell test statistic is given by

$$Z_j = \frac{n_j a_{1j} - n_{1j} a_j}{\sqrt{\frac{n_{1j} n_{2j} a_j (n_j - a_j)}{n_j - 1}}}$$

Using the equations above, we see that Z_j has mean and standard error given by

$$\begin{aligned}m_j &= \frac{n_j^2 \pi_j^{(1)} - n_{1j} a_j}{\sqrt{\frac{n_{1j} n_{2j} a_j (n_j - a_j)}{n_j - 1}}}, \text{ and} \\ se_j &= \sqrt{\frac{n_j^3 (n_j - 1)}{n_{1j} n_{2j} a_j (n_j - a_j) \left(\frac{1}{\pi_j^{(1)}} + \frac{1}{\pi_j^{(2)}} + \frac{1}{\pi_j^{(3)}} + \frac{1}{\pi_j^{(4)}} \right)}}.\end{aligned}$$

Rate Measure

A rate measure also has only one parameter of interest in each cell, the rate at which a phenomenon is observed relative to a base unit, e.g. the number of troubles per available line. A possible lack of parity may be due to a difference in cell rates. A set of hypotheses that take into account the assumption that transaction are identically distributed within cells is:

$$H_0: r_{1j} = r_{2j}$$

$$H_a: r_{2j} = \epsilon_j r_{1j} \quad \epsilon_j > 1 \text{ and } j = 1, \dots, L.$$

Given the total number of ILEC and CLEC transactions in a cell, n_j , and the number of base elements, b_{1j} and b_{2j} , the number of ILEC transaction, n_{1j} , has a binomial distribution from n_j trials and a probability of

$$q_j^* = \frac{r_{1j} b_{1j}}{r_{1j} b_{1j} + r_{2j} b_{2j}}.$$

Therefore, the mean and variance of n_{1j} , are given by

$$\begin{aligned} E(n_{1j}) &= n_j q_j^* \\ \text{var}(n_{1j}) &= n_j q_j^* (1 - q_j^*) \end{aligned}$$

Under the null hypothesis

$$q_j^* = q_j = \frac{b_{1j}}{b_j},$$

but under the alternative hypothesis

$$q_j^* = q_j^a = \frac{b_{1j}}{b_{1j} + \varepsilon_j b_{2j}}.$$

Recall that the cell test statistic is given by

$$Z_j = \frac{n_{1j} - n_j q_j}{\sqrt{n_j q_j (1 - q_j)}}.$$

Using the relationships above, we see that Z_j has mean and standard error given by

$$m_j = \frac{n_j (q_j^a - q_j)}{\sqrt{n_j q_j (1 - q_j)}} = (1 - \varepsilon_j) \sqrt{\frac{n_j b_{1j} b_{2j}}{b_{1j} + \varepsilon_j b_{2j}}}, \text{ and}$$

$$se_j = \sqrt{\frac{q_j^a (1 - q_j^a)}{q_j (1 - q_j)}} = \sqrt{\varepsilon_j} \frac{b_j}{b_{1j} + \varepsilon_j b_{2j}}.$$

Determining the Parameters of the Alternative Hypothesis

In this appendix we have indexed the alternative hypothesis of mean measures by two sets of parameters, λ_j and δ_j . Proportion and rate measures have been indexed by one set of parameters each, ψ_j and ε_j respectively. While statistical science can be used to evaluate the impact of different choices of these parameters, there is not much that an appeal to statistical principles can offer in directing specific choices. Specific choices are best left to telephony experts. Still, it is possible to comment on some aspects of these choices:

- Parameter Choices for λ_j . The set of parameters λ_j index alternatives to the null hypothesis that arise because there might be greater unpredictability or variability in the delivery of service to a CLEC customer over that which would be achieved for an otherwise comparable ILEC customer. While concerns about differences in the variability of service are important, it turns out that the truncated Z testing which is being recommended here is relatively insensitive to all but very large values of the λ_j . Put another way, reasonable differences in the values chosen here could make very little difference in the balancing points chosen.

- Parameter Choices for δ_j . The set of parameters δ_j are much more important in the choice of the balancing point than was true for the λ_j . The reason for this is that they directly index differences in average service. The truncated Z test is very sensitive to any such differences; hence, even small disagreements among experts in the choice of the δ_j could be very important. Sample size matters here too. For example, setting all the δ_j to a single value – $\delta_j = \delta$ – might be fine for tests across individual CLECs where currently in Louisiana the CLEC customer bases are not too different. Using the same value of δ for the overall state testing does not seem sensible, however, since the state sample would be so much larger.
- Parameter Choices for ψ_j or ϵ_j . The set of parameters ψ_j or ϵ_j are also important in the choice of the balancing point for tests of their respective measures. The reason for this is that they directly index increases in the proportion or rate of service performance. The truncated Z test is sensitive to such increases; but not as sensitive as the case of δ_j for mean measures. Sample size matters here as well. As with mean measures, using the same value of ψ or ϵ for the overall state testing does not seem sensible since the state sample would be so much larger.

The bottom line here is that beyond a few general considerations, like those given above, a principled approach to the choice of the alternative hypotheses to guard against, must come from elsewhere.

DECISION PROCESS

Once Z^T has been calculated, it is compared to the balancing critical value to determine if the ILEC is favoring its own customers over a CLEC's customers.

This critical value changes as the ILEC and CLEC transaction volume change. One way to make this transparent to the decision maker, is to report the difference between the test statistic and the critical value, $diff = Z^T - c_B$. If favoritism is concluded when $Z^T < c_B$, then the $diff < 0$ indicates favoritism.

This make it very easy to determine favoritism: a positive $diff$ suggests no favoritism, and a negative $diff$ suggests favoritism.

EXHIBIT D

BST VSEEM REMEDY PROCEDURE

TIER-1 CALCULATION FOR RETAIL ANALOGUES:

1. Calculate the overall test statistic for each CLEC; z_{CLEC1}^T (See Exhibit C)
2. Calculate the balancing critical value ($C_{B_{CLEC1}}$) that is associated with the alternative hypothesis (for fixed parameters δ, ψ or ϵ). (See Exhibit C)
3. If the overall test statistic is equal to or above the balancing critical value, stop here. Otherwise, go to step 4.
4. Calculate the Parity Gap by subtracting the value of step 2. from that of step 1.;
 $z_{CLEC1}^T - C_{B_{CLEC1}}$
5. Calculate the Volume Proportion using a linear distribution with slope of $\frac{1}{4}$. This can be accomplished by taking the absolute value of the Parity Gap from step 4. divided by 4;
 $ABS((z_{CLEC1}^T - C_{B_{CLEC1}}) / 4)$. All parity gaps equal or greater to 4 will result in a volume proportion of 100%.
6. Calculate the Affected Volume by multiplying the Volume Proportion from step 5. by the Total CLEC₁ Volume in the negatively affected cell; where the cell value is negative. (See Exhibit C)
7. Calculate the payment to Accutel by multiplying the result of step 6. by the appropriate dollar amount from the fee schedule.

So, Accutel payment = Affected Volume_{CLEC1} * \$\$ from Fee Schedule

Example: Accutel Missed Installation Appointments (MIA) for Resale POTS

| | n_I | n_C | MIA_I | MIA_C | z_{CLEC1}^T | C_B | Parity Gap | Volume Proportion | Affected Volume |
|-------|-------|-------|---------|---------|-------------------------------|-------|-------------------|-------------------|-----------------|
| State | 50000 | 600 | 9% | 16% | -1.92 | -0.21 | 1.71 | 0.4275 | |
| Cell | | | | | <u>z_{CLEC1}</u> | | | | |
| 1 | | 150 | 0.091 | 0.112 | -1.994 | | | | 64 |
| 2 | | 75 | 0.176 | 0.098 | 0.734 | | | | |
| 3 | | 10 | 0.128 | 0.333 | -2.619 | | | | 4 |
| 4 | | 50 | 0.158 | 0.242 | -2.878 | | | | 21 |
| 5 | | 15 | 0.245 | 0.075 | 1.345 | | | | |
| 6 | | 200 | 0.156 | 0.130 | 0.021 | | | | |
| 7 | | 30 | 0.166 | 0.233 | -0.600 | | | | 13 |
| 8 | | 20 | 0.106 | 0.127 | -0.065 | | | | 9 |
| 9 | | 40 | 0.193 | 0.218 | -0.918 | | | | 17 |
| 10 | | 10 | 0.160 | 0.235 | -0.660 | | | | 4 |
| | | | | | | | | | 133 |

where n_I = ILEC observations and n_C = Accutel observations

Payout for Accutel is (133 units) * (\$100/unit) = \$13,300

TIER-2 CALCULATION for RETAIL ANALOGUES:

1. Tier-2 is triggered by three monthly failures of any VSEEM submetric in the same quarter.
2. Calculate the overall test statistic for the CLEC Aggregate using all transactions from the calendar quarter; Z_{CLECA}^T
3. Calculate the balancing critical value ($C_{B_{CLEC1}}$) that is associated with the alternative hypothesis (for fixed parameters δ, ψ or ϵ). (See Exhibit C)
4. If the overall test statistic is equal to or above the balancing critical value for the calendar quarter, stop here. Otherwise, go to step 5.
5. Calculate the Parity Gap by subtracting the value of step 3. from that of step 2.;
 $Z_{CLECA}^T - C_{B_{CLECA}}$
6. Calculate the Volume Proportion using a linear distribution with slope of $\frac{1}{4}$. This can be accomplished by dividing the Parity Gap from step 5. by 4; $ABS((Z_{CLECA}^T - C_{B_{CLECA}}) / 4)$. All parity gaps equal or greater to 4 will result in a volume proportion of 100%.
7. Calculate the Affected Volume by multiplying the Volume Proportion from step 6. by the Total $CLECA_A$ Volume (CLEC Aggregate) in the negatively affected cell; where the cell value is negative (See Exhibit C).
8. Calculate the payment to State Designated Agency by multiplying the result of step 7. by the appropriate dollar amount from the fee schedule.

So, State Designated Agency payment = Affected Volume_{CLECA} * \$\$ from Fee Schedule

Example: CLEC-A Missed Installation Appointments (MIA) for Resale POTS

| State Quarter | n_I | n_C | MIA_I | MIA_C | Z_{CLECA}^T | C_B | Parity Gap | Volume Proportion | Affected Volume |
|---------------|--------|-------|---------|---------|-------------------------------|-------|-------------|-------------------|-----------------|
| 1 | 180000 | 2100 | 9% | 16% | -1.92 | -0.21 | 1.71 | 0.4275 | |
| Cell | | | | | <u>Z_{CLECA}</u> | | | | |
| 1 | | 500 | 0.091 | 0.112 | -1.994 | | | | 214 |
| 2 | | 300 | 0.176 | 0.098 | 0.734 | | | | |
| 3 | | 80 | 0.128 | 0.333 | -2.619 | | | | 34 |
| 4 | | 205 | 0.158 | 0.242 | -2.878 | | | | 88 |
| 5 | | 45 | 0.245 | 0.075 | 1.345 | | | | |
| 6 | | 605 | 0.156 | 0.130 | 0.021 | | | | |
| 7 | | 80 | 0.166 | 0.233 | -0.600 | | | | 34 |
| 8 | | 40 | 0.106 | 0.127 | -0.065 | | | | 17 |

| | | | | |
|----|-----|-------|-------|--------|
| 9 | 165 | 0.193 | 0.218 | -0.918 |
| 10 | 80 | 0.160 | 0.235 | -0.660 |

| |
|-----------|
| 71 |
| 34 |
| <hr/> 492 |

where n_i = ILEC observations and n_c = CLEC-A observations

Payout for CLEC-A is (492 units) * (\$300/unit) = \$147,600

Tier-3

Tier-3 uses the monthly CLEC Aggregate results in a given State. Tier-3 is triggered when five of the twelve Tier-3 sub-metrics experience consecutive failures in a given calendar quarter. The table below displays a situation that would trigger a Tier-3 failure, and one that would not.

| Process | Measures | TIER-3 FAILURE X = Miss | | | NOT A TIER-3 FAILURE X = Miss | | |
|--|--------------------------------------|----------------------------|-----|-----|----------------------------------|-----|-----|
| | | Jan | Feb | Mar | Jan | Feb | Mar |
| Percent Missed Installation Appointments | Resale POTS | X | X | X | X | | |
| | Resale Design | X | | | X | X | X |
| | UNE Loop & Port Combo | | X | | | | |
| | UNE Loops | X | X | X | | | |
| Percent Missed Repair Appointments | Resale POTS | X | X | X | X | | X |
| | Resale Design | | X | X | | X | |
| | UNE Loop & Port Combo | | | | | X | X |
| | UNE Loops | | | | X | | |
| Billing | Billing Accuracy | X | X | X | | | |
| | Billing Timeliness | | | | X | X | X |
| Trunk Blockage | Percent Trunk Blockage | X | X | X | | | |
| Collocation | Percent Missed Collocation Due Dates | | | | | | |

Tier-3 is effective immediately after quarter results, and can only be lifted when two of the five failed sub-metrics show compliance for two consecutive months in the following quarter.

All tiers standalone, such that triggering Tier-3 will not cease payout of any Tier-1 or Tier-2 failures.

TIER-1 CALCULATION FOR BENCHMARKS:

1. For each CLEC, with five or more observations, calculate monthly performance results for the State.
2. CLECs having observations (sample sizes) between 5 and 30 will use Table I below:

TABLE I SMALL SAMPLE SIZE TABLE
(95% Confidence)

| Sample Size | Equivalent 90% Benchmark | Equivalent 95% Benchmark | Sample Size | Equivalent 90% Benchmark | Equivalent 95% Benchmark |
|-------------|--------------------------|--------------------------|-------------|--------------------------|--------------------------|
| 5 | 60.00% | 80.00% | 16 | 75.00% | 87.50% |
| 6 | 66.67% | 83.33% | 17 | 76.47% | 82.35% |
| 7 | 71.43% | 85.71% | 18 | 77.78% | 83.33% |
| 8 | 75.00% | 75.00% | 19 | 78.95% | 84.21% |
| 9 | 66.67% | 77.78% | 20 | 80.00% | 85.00% |
| 10 | 70.00% | 80.00% | 21 | 76.19% | 85.71% |
| 11 | 72.73% | 81.82% | 22 | 77.27% | 86.36% |
| 12 | 75.00% | 83.33% | 23 | 78.26% | 86.96% |
| 13 | 76.92% | 84.62% | 24 | 79.17% | 87.50% |
| 14 | 78.57% | 85.71% | 25 | 80.00% | 88.00% |
| 15 | 73.33% | 86.67% | 26 | 80.77% | 88.46% |
| | | | 27 | 81.48% | 88.89% |
| | | | 28 | 78.57% | 89.29% |
| | | | 29 | 79.31% | 86.21% |
| | | | 30 | 80.00% | 86.67% |

3. If the percentage (or equivalent percentage for small samples) is equal to or below the benchmark standard, stop here. Otherwise, go to step 4.
4. Determine the Volume Proportion by taking the difference between the benchmark and the actual performance result.
5. Calculate the Affected Volume by multiplying the Volume Proportion from step 4. by the Total CLEC₁ Volume.
6. Calculate the payment to Accutel by multiplying the result of step 5. by the appropriate dollar amount from the fee schedule.

$$\text{So, Accutel payment} = \text{Affected Volume}_{\text{CLEC}_1} * \$\$ \text{ from Fee Schedule}$$

Example: Accutel Missed Installation Appointments (MIA) for UNE Loops

| | n_c | Benchmark | MIA_c | Volume Proportion | Affected Volume |
|-------|-------|-----------|---------|-------------------|-----------------|
| State | 600 | 9% | 12% | .03 | 18 |

Payout for Accutel is (18 units) * (\$400/unit) = \$7,200

TIER-1 CALCULATION FOR BENCHMARKS (IN THE FORM OF A TARGET):

1. For each, with five or more observations, CLEC calculate monthly performance results for the State.
2. CLECs having observations (sample sizes) between 5 and 30 will use Table I above.
3. Calculate the interval distribution based on the same data set used in step 1.
4. If the 'percent within' is equal to or exceeds the benchmark standard, stop here. Otherwise, go to step 5.
5. Determine the Volume Proportion by taking the difference between 100% and the actual performance result.
6. Calculate the Affected Volume by multiplying the Volume Proportion from step 5. by the Total CLEC₁ Volume.
7. Calculate the payment to Accutel by multiplying the result of step 6. by the appropriate dollar amount from the fee schedule.

So, Accutel payment = Affected Volume_{CLEC1} * \$\$ from Fee Schedule

Example: Accutel Reject Timeliness

| | n_c | Benchmark | Reject Timeliness _c | Volume Proportion | Affected Volume |
|-------|-------|-------------------|--------------------------------|-------------------|-----------------|
| State | 600 | 95% within 1 hour | 93% within 1 hour | .07 | 42 |

Payout for Accutel is (42 units) * (\$100/unit) = \$4,200

TIER-2 CALCULATIONS for BENCHMARKS:

Tier-2 calculations for benchmark measures are the same as the Tier-1 benchmark calculations except the CLEC Aggregate data having failed for three months in a given calendar quarter is being assessed.

EXHIBIT E

Table-1

LIQUIDATED DAMAGES TABLE FOR TIER-1 MEASURES

| PER AFFECTED ITEM | | | | | | |
|--|---------|---------|---------|---------|---------|---------|
| | Month 1 | Month 2 | Month3 | Month4 | Month 5 | Month 6 |
| Ordering | \$40 | \$50 | \$60 | \$70 | \$80 | \$90 |
| Provisioning | \$100 | \$125 | \$175 | \$250 | \$325 | \$500 |
| Provisioning UNE (Coordinated Customer Conversions) | \$400 | \$450 | \$500 | \$550 | \$650 | \$800 |
| Maintenance and Repair | \$100 | \$125 | \$175 | \$250 | \$325 | \$500 |
| Maintenance and Repair UNE | \$400 | \$450 | \$500 | \$550 | \$650 | \$800 |
| LNP | \$150 | \$250 | \$500 | \$600 | \$700 | \$800 |
| IC Trunks | \$100 | \$125 | \$175 | \$250 | \$325 | \$500 |
| Collocation | \$5,000 | \$5,000 | \$5,000 | \$5,000 | \$5,000 | \$5,000 |

Table-2

VOLUNTARY PAYMENTS FOR TIER-2 MEASURES

| | Per Affected Item |
|--|--------------------------|
| OSS Pre-Ordering | \$20 |
| Ordering | \$60 |
| Provisioning | \$300 |
| UNE Provisioning (Coordinated Customer Conversions) | \$875 |
| Maintenance and Repair | \$300 |
| UNE Maintenance and Repair | \$875 |
| Billing | \$1.00 |
| LNP | \$500 |
| IC Trunks | \$500 |
| Collocation | \$15,000 |

AGREEMENT IMPLEMENTATION TEMPLATE (Residence)
for
Accutel of Texas, Inc.
BellSouth Standard Interconnection Agreement

| | |
|----------------------------------|-----------------------------------|
| Agreement Effective Date: | Agreement Expiration Date: |
| Account Manager: | Account Manager Tel No: |

| Attachment Name/Number | Section Number | Version Date | Planned Activities |
|-------------------------|----------------|--------------|--------------------|
| Terms/Conditions PartA | 1 | 2/29/00 | |
| | 2 | 2/29/00 | |
| | 3 | 2/29/00 | |
| | 4 | 2/29/00 | |
| | 5 | 2/29/00 | |
| | 6 | 2/29/00 | |
| | 7 | 2/29/00 | |
| | 8 | 2/29/00 | |
| | 9 | 2/29/00 | |
| | 10 | 2/29/00 | |
| | 11 | 2/29/00 | |
| | 12 | 2/29/00 | |
| | 13 | 2/29/00 | |
| | 14 | 2/29/00 | |
| | 15 | 2/29/00 | |
| | 16 | 2/29/00 | |
| | 17 | 2/29/00 | |
| | 18 | 2/29/00 | |
| | 19 | 2/29/00 | |
| | 20 | 2/29/00 | |
| | 21 | 2/29/00 | |
| | 22 | 2/29/00 | |
| | 23 | 2/29/00 | |
| | 24 | 2/29/00 | |
| | 25 | 2/29/00 | |
| | 26 | 2/29/00 | |
| Terms/Conditions Part B | | 2/29/00 | |
| 1-Resale | 1 | 2/29/00 | |

AGREEMENT IMPLEMENTATION TEMPLATE (Residence)
for
Accutel of Texas, Inc.
BellSouth Standard Interconnection Agreement

| Attachment Name/Number | Section Number | Version Date | Planned Activities |
|-------------------------------------|-----------------------|---------------------|---------------------------|
| | 2 | 2/29/00 | |
| | 3 | 2/29/00 | |
| | 4 | 2/29/00 | |
| | 5 | 2/29/00 | |
| | 6 | 2/29/00 | |
| | 7 | 2/29/00 | |
| | 8 | 2/29/00 | |
| | 9 | 2/29/00 | |
| | 10 | 2/29/00 | |
| | 11 | 2/29/00 | |
| | 12 | 2/29/00 | |
| | 13 | 2/29/00 | |
| | Exhibit A | 2/29/00 | |
| | Exhibit B | 2/29/00 | |
| | Exhibit C | 2/29/00 | |
| | Exhibit D | 2/29/00 | |
| | Exhibit E | 2/29/00 | |
| | Exhibit F | 2/29/00 | |
| | Exhibit G | 2/29/00 | |
| | | 2/29/00 | |
| 2-Network Elements & Other Services | 1 | 2/29/00 | |
| | 2 | 2/29/00 | |
| | 3 | 2/29/00 | |
| | 4 | 2/29/00 | |
| | 5 | 2/29/00 | |
| | 6 | 2/29/00 | |
| | 7 | 2/29/00 | |
| | 8 | 2/29/00 | |
| | 9 | 2/29/00 | |
| | 10 | 2/29/00 | |

AGREEMENT IMPLEMENTATION TEMPLATE (Residence)
for
Accutel of Texas, Inc.
BellSouth Standard Interconnection Agreement

| Attachment Name/Number | Section Number | Version Date | Planned Activities |
|--------------------------------|-----------------------|---------------------|---------------------------|
| | 11 | 2/29/00 | |
| | 12 | 2/29/00 | |
| | 13 | 2/29/00 | |
| | 14 | 2/29/00 | |
| | 15 | 2/29/00 | |
| | 16 | 2/29/00 | |
| | 17 | 2/29/00 | |
| | Exhibit A | 2/29/00 | |
| | Exhibit B | 2/29/00 | |
| | Exhibit C | 2/29/00 | |
| 3-Local Interconnection | 1 | 2/29/00 | |
| | 2 | 2/29/00 | |
| | 3 | 2/29/00 | |
| | 4 | 2/29/00 | |
| | 5 | 2/29/00 | |
| | 6 | 2/29/00 | |
| | 7 | 2/29/00 | |
| | 8 | 2/29/00 | |
| | Exhibit A | 2/29/00 | |
| | Exhibit B | 2/29/00 | |
| | Exhibit C | 2/29/00 | |
| | Exhibit D | 2/29/00 | |
| | Exhibit E | 2/29/00 | |
| 4-Physical Collocation | 1 | 2/29/00 | |
| | 2 | 2/29/00 | |
| | 3 | 2/29/00 | |
| | 4 | 2/29/00 | |
| | 5 | 2/29/00 | |
| | 6 | 2/29/00 | |
| | 7 | 2/29/00 | |
| | 8 | 2/29/00 | |

AGREEMENT IMPLEMENTATION TEMPLATE (Residence)
for
Accutel of Texas, Inc.
BellSouth Standard Interconnection Agreement

| Attachment Name/Number | Section Number | Version Date | Planned Activities |
|--|-----------------------|---------------------|---------------------------|
| | 9 | 2/29/00 | |
| | 10 | 2/29/00 | |
| | 11 | 2/29/00 | |
| | 12 | 2/29/00 | |
| | 13 | 2/29/00 | |
| | 14 | 2/29/00 | |
| | Exhibit A | 2/29/00 | |
| | Exhibit B | 2/29/00 | |
| 5-Access to Numbers & Number Portability | | 2/29/00 | |
| | 1 | | |
| | 2 | 2/29/00 | |
| | 3 | 2/29/00 | |
| | 4 | 2/29/00 | |
| | 5 | 2/29/00 | |
| | 6 | 2/29/00 | |
| | 7 | 2/29/00 | |
| | 8 | 2/29/00 | |
| | Exhibit A | 2/29/00 | |
| 6-Ordering/Provisioning | | 2/29/00 | |
| | 1 | | |
| | 2 | 2/29/00 | |
| | 3 | 2/29/00 | |
| 7-Billing & Billing Accuracy Certification | | 2/29/00 | |
| | 1 | | |
| | 2 | 2/29/00 | |
| | 3 | 2/29/00 | |
| | 4 | 2/29/00 | |
| | 5 | 2/29/00 | |
| | 6 | 2/29/00 | |
| | 7 | 2/29/00 | |
| | Exhibit A | 2/29/00 | |
| 8-ROW/Conduits/PoleAtt | | 2/29/00 | |
| | 1 | | |

AGREEMENT IMPLEMENTATION TEMPLATE (Residence)
for
Accutel of Texas, Inc.
BellSouth Standard Interconnection Agreement

| Attachment Name/Number | Section Number | Version Date | Planned Activities |
|-------------------------------|-----------------------|---------------------|---------------------------|
| 9-Perf Measurement | Pre-Ordering | 2/29/00 | |
| | Ordering | 2/29/00 | |
| | Provisioning | 2/29/00 | |
| | Maint/Repair | 2/29/00 | |
| | Billing | 2/29/00 | |
| | Opr Svcs/DA | 2/29/00 | |
| | E911 | 2/29/00 | |
| | Trunk Grp Perf | 2/29/00 | |
| | Collocation | 2/29/00 | |
| | Appendix A | 2/29/00 | |
| | Appendix B | 2/29/00 | |
| | Appendix C | 2/29/00 | |
| | 10-Executive Summary | | 2/29/00 |
| | | 2/29/00 | |
| 11-Disaster Recovery | | 2/29/00 | |
| | | 2/29/00 | |
| | | | |
| | | | |

**AGREEMENT IMPLEMENTATION TEMPLATE (Business)
for
CLEC-1
BellSouth Standard Interconnection Agreement**

| | |
|----------------------------------|-----------------------------------|
| Agreement Effective Date: | Agreement Expiration Date: |
| Account Manager: | Account Manager Tel No: |

| Attachment Name | Section No. | Version Date | Planned Activities |
|-------------------------|-------------|--------------|--------------------|
| Terms/Conditions PartA | 1 | | |
| | 2 | | |
| | 3 | | |
| | 4 | | |
| | 5 | | |
| | 6 | | |
| | 7 | | |
| | 8 | | |
| | 9 | | |
| | 10 | | |
| | 11 | | |
| | 12 | | |
| | 13 | | |
| | 14 | | |
| | 15 | | |
| | 16 | | |
| | 17 | | |
| | 18 | | |
| | 19 | | |
| | 20 | | |
| | 21 | | |
| | 22 | | |
| | 23 | | |
| | 24 | | |
| | 25 | | |
| | 26 | | |
| Terms/Conditions Part B | | | |
| 1-Resale | 1 | | |

AGREEMENT IMPLEMENTATION TEMPLATE (Business)
for
CLEC-1
BellSouth Standard Interconnection Agreement

| Attachment Name | Section No. | Version Date | Planned Activities |
|-------------------------------------|--------------------|---------------------|---------------------------|
| | 2 | | |
| | 3 | | |
| | 4 | | |
| | 5 | | |
| | 6 | | |
| | 7 | | |
| | 8 | | |
| | 9 | | |
| | 10 | | |
| | 11 | | |
| | 12 | | |
| | 13 | | |
| | Exhibit A | | |
| | Exhibit B | | |
| | Exhibit C | | |
| | Exhibit D | | |
| | Exhibit E | | |
| | Exhibit F | | |
| | Exhibit G | | |
| | Exhibit H | | |
| 2-Network Elements & Other Services | 1 | | |
| | 2 | | |
| | 3 | | |
| | 4 | | |
| | 5 | | |
| | 6 | | |
| | 7 | | |
| | 8 | | |
| | 9 | | |
| | 10 | | |

AGREEMENT IMPLEMENTATION TEMPLATE (Business)
for
CLEC-1
BellSouth Standard Interconnection Agreement

| Attachment Name | Section No. | Version Date | Planned Activities |
|-------------------------|--------------------|---------------------|---------------------------|
| | 11 | | |
| | 12 | | |
| | 13 | | |
| | 14 | | |
| | 15 | | |
| | 16 | | |
| | 17 | | |
| | Exhibit A | | |
| | Exhibit B | | |
| | Exhibit C | | |
| 3-Local Interconnection | 1 | | |
| | 2 | | |
| | 3 | | |
| | 4 | | |
| | 5 | | |
| | 6 | | |
| | 7 | | |
| | 8 | | |
| | Exhibit A | | |
| 4-Physical Collocation | 1 | | |
| | 2 | | |
| | 3 | | |
| | 4 | | |
| | 5 | | |
| | 6 | | |
| | 7 | | |
| | 8 | | |
| | 9 | | |
| | 10 | | |
| | 11 | | |
| | 12 | | |

AGREEMENT IMPLEMENTATION TEMPLATE (Business)
for
CLEC-1
BellSouth Standard Interconnection Agreement

| Attachment Name | Section No. | Version Date | Planned Activities |
|--|--------------------|---------------------|---------------------------|
| | 13 | | |
| | 14 | | |
| | Exhibit A | | |
| | Exhibit B | | |
| 5-Access to Numbers & Number Portability | 1 | | |
| | 2 | | |
| | 3 | | |
| | 4 | | |
| | 5 | | |
| | 6 | | |
| | 7 | | |
| | 8 | | |
| | Exhibit A | | |
| 6-Ordering/Provisioning | 1 | | |
| | 2 | | |
| | 3 | | |
| 7-Billing & Billing Accuracy Certification | 1 | | |
| | 2 | | |
| | 3 | | |
| | 4 | | |
| | 5 | | |
| | 6 | | |
| | 7 | | |
| | Exhibit A | | |
| 8-ROW/Conduits/PoleAtt | 1 | | |
| 9-Perf Measurement | Pre-Ordering | | |
| | Ordering | | |
| | Provisioning | | |
| | Maint/Repair | | |

AGREEMENT IMPLEMENTATION TEMPLATE (Business)
for
CLEC-1
BellSouth Standard Interconnection Agreement

| Attachment Name | Section No. | Version Date | Planned Activities |
|------------------------|--------------------|---------------------|---------------------------|
| | Billing | | |
| | Opr Svcs/DA | | |
| | E911 | | |
| | Trunk Grp Perf | | |
| | Collocation | | |
| | Appendix A | | |
| | Appendix B | | |
| | Appendix C | | |

Attachment 11
BellSouth Disaster Recovery Plan

***2000
BELLSOUTH
DISASTER RECOVERY PLANNING
For
CLECS***

CONTENTS

| | <u>PAGE</u> |
|---|--------------------|
| 1.0 Purpose | 4 |
| 2.0 Single Point of Contact | 4 |
| 3.0 Identifying the Problem | 4 |
| 3.1 Site Control | 5 |
| 3.2 Environmental Concerns | 6 |
| 4.0 The Emergency Control Center (ECC) | 6 |
| 5.0 Recovery Procedures | 7 |
| 5.1 CLEC Outage | 7 |
| 5.2 BellSouth Outage | 7 |
| 5.2.1 Loss of Central Office | 8 |
| 5.2.2 Loss of a Central Office with Serving Wire Center Functions | 8 |
| 5.2.3 Loss of a Central Office with Tandem Functions | 8 |
| 5.2.4 Loss of a Facility Hub | 9 |
| 5.3 Combined Outage (CLEC and BellSouth Equipment) | 9 |
| 6.0 T1 Identification Procedures | 9 |
| 7.0 Acronyms | 10 |

1.0 PURPOSE

In the unlikely event of a disaster occurring that affects BellSouth's long-term ability to deliver traffic to a Competitive Local Exchange Carrier (CLEC), general procedures have been developed to hasten the recovery process. Since each location is different and could be affected by an assortment of potential problems, a detailed recovery plan is impractical. However, in the process of reviewing recovery activities for specific locations, some basic procedures emerge that appear to be common in most cases.

These general procedures should apply to any disaster that affects the delivery of traffic for an extended time period. Each CLEC will be given the same consideration during an outage and service will be restored as quickly as possible.

This document will cover the basic recovery procedures that would apply to every CLEC.

2.0 SINGLE POINT OF CONTACT

When a problem is experienced, regardless of the severity, the BellSouth Network Management Center (NMC) will observe traffic anomalies and begin monitoring the situation. Controls will be appropriately applied to insure the sanity of BellSouth's network; and, in the event that a switch or facility node is lost, the NMC will attempt to circumvent the failure using available reroutes.

BellSouth's NMC will remain in control of the restoration efforts until the problem has been identified as being a long-term outage. At that time, the NMC will contact BellSouth's Emergency Control Center (ECC) and relinquish control of the recovery efforts. Even though the ECC may take charge of the situation, the NMC will continue to monitor the circumstances and restore traffic as soon as damaged network elements are revitalized.

The telephone number for the BellSouth Network Management Center in Atlanta, as published in Telcordia's National Network Management Directory, is 404-321-2516.

3.0 IDENTIFYING THE PROBLEM

During the early stages of problem detection, the NMC will be able to tell which CLECs are affected by the catastrophe. Further analysis and/or first hand observation will determine if the disaster has affected CLEC equipment only; BellSouth equipment only or a combination. The initial restoration activity will be largely determined by the equipment that is affected.

Once the nature of the disaster is determined and after verifying the cause of the problem, the NMC will initiate reroutes and/or transfers that are jointly agreed upon by the affected CLECs' Network Management Center and the BellSouth NMC. The type and percentage of controls used will depend upon available network capacity. Controls necessary to stabilize the situation will be invoked and the NMC will attempt to re-establish as much traffic as possible.

For long term outages, recovery efforts will be coordinated by the Emergency Control Center (ECC). Traffic controls will continue to be applied by the NMC until facilities are re-established. As equipment is made available for service, the ECC will instruct the NMC to begin removing the controls and allow traffic to resume.

3.1 SITE CONTROL

In the total loss of building use scenario, what likely exists will be a smoking pile of rubble. This rubble will contain many components that could be dangerous. It could also contain any personnel on the premises at the time of the disaster. For these reasons, the local fire marshal with the assistance of the police will control the site until the building is no longer a threat to surrounding properties and the companies have secured the site from the general public.

During this time, the majority owner of the building should be arranging for a demolition contractor to mobilize to the site with the primary objective of reaching the cable entrance facility for a damage assessment. The results of this assessment would then dictate immediate plans for restoration, both short term and permanent.

In a less catastrophic event, i.e., the building is still standing and the cable entrance facility is usable, the situation is more complex. The site will initially be controlled by local authorities until the threat to adjacent property has diminished. Once the site is returned to the control of the companies, the following events should occur.

An initial assessment of the main building infrastructure systems (mechanical, electrical, fire & life safety, elevators, and others) will establish building needs. Once these needs are determined, the majority owner should lead the building restoration efforts. There may be situations where the site will not be totally restored within the confines of the building. The companies must individually determine their needs and jointly assess the cost of permanent restoration to determine the overall plan of action.

Multiple restoration trailers from each company will result in the need for designated space and installation order. This layout and control is required to maximize the amount of restoration equipment that can be placed at the site, and the priority of placements.

Care must be taken in this planning to insure other restoration efforts have logistical access to the building. Major components of telephone and building equipment will need to be removed and replaced. A priority for this equipment must also be jointly established to facilitate overall site restoration. (Example: If the AC switchgear has sustained damage, this would be of the highest priority in order to regain power, lighting, and HVAC throughout the building.)

If the site will not accommodate the required restoration equipment, the companies would then need to quickly arrange with local authorities for street closures, rights of way or other possible options available.

3.2 ENVIRONMENTAL CONCERNS

In the worse case scenario, many environmental concerns must be addressed. Along with the police and fire marshal, the state environmental protection department will be on site to monitor the situation.

Items to be concerned with in a large central office building could include:

1. Emergency engine fuel supply. Damage to the standby equipment and the fuel handling equipment could have created "spill" conditions that have to be handled within state and federal regulations.
2. Asbestos containing materials that may be spread throughout the wreckage. Asbestos could be in many components of building, electrical, mechanical, outside plant distribution, and telephone systems.
3. Lead and acid. These materials could be present in potentially large quantities depending upon the extent of damage to the power room.
4. Mercury and other regulated compounds resident in telephone equipment.
5. Other compounds produced by the fire or heat.

Once a total loss event occurs at a large site, local authorities will control immediate clean up (water placed on the wreckage by the fire department) and site access.

At some point, the companies will become involved with local authorities in the overall planning associated with site clean up and restoration. Depending on the clean up approach taken, delays in the restoration of several hours to several days may occur.

In a less severe disaster, items listed above are more defined and can be addressed individually depending on the damage.

In each case, the majority owner should coordinate building and environmental restoration as well as maintain proper planning and site control.

4.0 THE EMERGENCY CONTROL CENTER (ECC)

The ECC is located in the Colonnade Building in Birmingham, Alabama. During an emergency, the ECC staff will convene a group of pre-selected experts to inventory the damage and initiate corrective actions. These experts have regional access to BellSouth's personnel and equipment and will assume control of the restoration activity anywhere in the nine-state area.

In the past, the ECC has been involve with restoration activities resulting from hurricanes, ice storms and floods. They have demonstrated their capabilities during these calamities as well as

during outages caused by human error or equipment failures. This group has an excellent record of restoring service as quickly as possible.

During a major disaster, the ECC may move emergency equipment to the affected location, direct recovery efforts of local personnel and coordinate service restoration activities with the CLECs. The ECC will attempt to restore service as quickly as possible using whatever means is available; leaving permanent solutions, such as the replacement of damaged buildings or equipment, for local personnel to administer.

Part of the ECC's responsibility, after temporary equipment is in place, is to support the NMC efforts to return service to the CLECs. Once service has been restored, the ECC will return control of the network to normal operational organizations. Any long-term changes required after service is restored will be made in an orderly fashion and will be conducted as normal activity.

5.0 RECOVERY PROCEDURES

The nature and severity of any disaster will influence the recovery procedures. One crucial factor in determining how BellSouth will proceed with restoration is whether or not BellSouth's equipment is incapacitated. Regardless of who's equipment is out of service, BellSouth will move as quickly as possible to aid with service recovery; however, the approach that will be taken may differ depending upon the location of the problem.

5.1 CLEC OUTAGE

For a problem limited to one CLEC (or a building with multiple CLECs), BellSouth has several options available for restoring service quickly. For those CLECs that have agreements with other CLECs, BellSouth can immediately start directing traffic to a provisional CLEC for completion. This alternative is dependent upon BellSouth having concurrence from the affected CLECs.

Whether or not the affected CLECs have requested a traffic transfer to another CLEC will not impact BellSouth's resolve to re-establish traffic to the original destination as quickly as possible.

5.2 BELLSOUTH OUTAGE

Because BellSouth's equipment has varying degrees of impact on the service provided to the CLECs, restoring service from damaged BellSouth equipment is different. The outage will probably impact a number of Carriers simultaneously. However, the ECC will be able to initiate immediate actions to correct the problem.

A disaster involving any of BellSouth's equipment locations could impact the CLECs, some more than others. A disaster at a Central Office (CO) would only impact the delivery of traffic to and from that one location, but the incident could affect many Carriers. If the Central Office is a Serving Wire Center (SWC), then traffic from the entire area to those Carriers served from that switch would also be impacted. If the switch functions as an Access Tandem, or there is a tandem in the building, traffic from every CO to every CLEC could be interrupted. A disaster that destroys a facility hub could disrupt various traffic flows, even though the switching equipment may be unaffected.

The NMC would be the first group to observe a problem involving BellSouth's equipment. Shortly after a disaster, the NMC will begin applying controls and finding re-routes for the

completion of as much traffic as possible. These reroutes may involve delivering traffic to alternate Carriers upon receiving approval from the CLECs involved. In some cases, changes in translations will be required. If the outage is caused by the destruction of equipment, then the ECC will assume control of the restoration.

5.2.1 Loss of a Central Office

When BellSouth loses a Central Office, the ECC will

- a) Place specialists and emergency equipment on notice;
- b) Inventory the damage to determine what equipment and/or functions are lost;
- c) Move containerized emergency equipment and facility equipment to the stricken area, if necessary;
- d) Begin reconnecting service for Hospitals, Police and other emergency agencies; and
- e) Begin restoring service to CLECs and other customers.

5.2.2 Loss of a Central Office with Serving Wire Center Functions

The loss of a Central Office that also serves as a Serving Wire Center (SWC) will be restored as described in section 5.2.1.

5.2.3 Loss of a Central Office with Tandem Functions

When BellSouth loses a Central Office building that serves as an Access Tandem and as a SWC, the ECC will

- a) Place specialists and emergency equipment on notice;
- b) Inventory the damage to determine what equipment and/or functions are lost;
- c) Move containerized emergency equipment and facility equipment to the stricken area, if necessary;
- d) Begin reconnecting service for Hospitals, Police and other emergency agencies;
- e) Re-direct as much traffic as possible to the alternate access tandem (if available) for delivery to those CLECs utilizing a different location as a SWC;
- f) Begin aggregating traffic to a location near the damaged building. From this location, begin re-establishing trunk groups to the CLECs for the delivery of traffic normally found on the direct trunk groups. (This aggregation point may be the alternate access tandem location or another CO on a primary facility route.)
- g) Begin restoring service to CLECs and other customers.

5.2.4 Loss of a Facility Hub

In the event that BellSouth loses a facility hub, the recovery process is much the same as above. Once the NMC has observed the problem and administered the appropriate controls, the ECC will assume authority for the repairs. The recovery effort will include

- a) Placing specialists and emergency equipment on notice;
- b) Inventorying the damage to determine what equipment and/or functions are lost;
- c) Moving containerized emergency equipment to the stricken area, if necessary;
- d) Reconnecting service for Hospitals, Police and other emergency agencies; and
- e) Restoring service to CLECs and other customers. If necessary, BellSouth will aggregate the traffic at another location and build temporary facilities. This alternative would be viable for a location that is destroyed and building repairs are required.

5.3 COMBINED OUTAGE (CLEC AND BELLSOUTH EQUIPMENT)

In some instances, a disaster may impact BellSouth's equipment as well as the CLECs'. This situation will be handled in much the same way as described in section 5.2.3. Since BellSouth and the CLECs will be utilizing temporary equipment, close coordination will be required.

6.0 T1 IDENTIFICATION PROCEDURES

During the restoration of service after a disaster, BellSouth may be forced to aggregate traffic for delivery to a CLEC. During this process, T1 traffic may be consolidated onto DS3s and may become unidentifiable to the Carrier. Because resources will be limited, BellSouth may be forced to "package" this traffic entirely differently than normally received by the CLECs. Therefore, a method for identifying the T1 traffic on the DS3s and providing the information to the Carriers is required.

7.0 ACRONYMS

- CO - Central Office (BellSouth)
- DS3 - Facility that carries 28 T1s (672 circuits)
- ECC - Emergency Control Center (BellSouth)
- CLEC - Competitive Local Exchange Carrier
- NMC - Network Management Center
- SWC - Serving Wire Center (BellSouth switch)
- T1 - Facility that carries 24 circuits

Hurricane Information

During a hurricane, BellSouth will make every effort to keep CLECs updated on the status of our network. Information centers will be set up throughout BellSouth Telecommunications. These centers are not intended to be used for escalations, but rather to keep the CLEC informed of network related issues, area damages and dispatch conditions, etc.

Hurricane-related information can also be found on line at http://www.interconnection.bellsouth.com/network/disaster/dis_resp.htm. Information concerning Mechanized Disaster Reports can also be found at this website by clicking on CURRENT MDR REPORTS or by going directly to <http://www.interconnection.bellsouth.com/network/disaster/mdrs.htm>.

BST Disaster Management Plan

BellSouth maintenance centers have geographical and redundant communication capabilities. In the event of a disaster removing any maintenance center from service another geographical center would assume maintenance responsibilities. The contact numbers will not change and the transfer will be transparent to the CLEC.