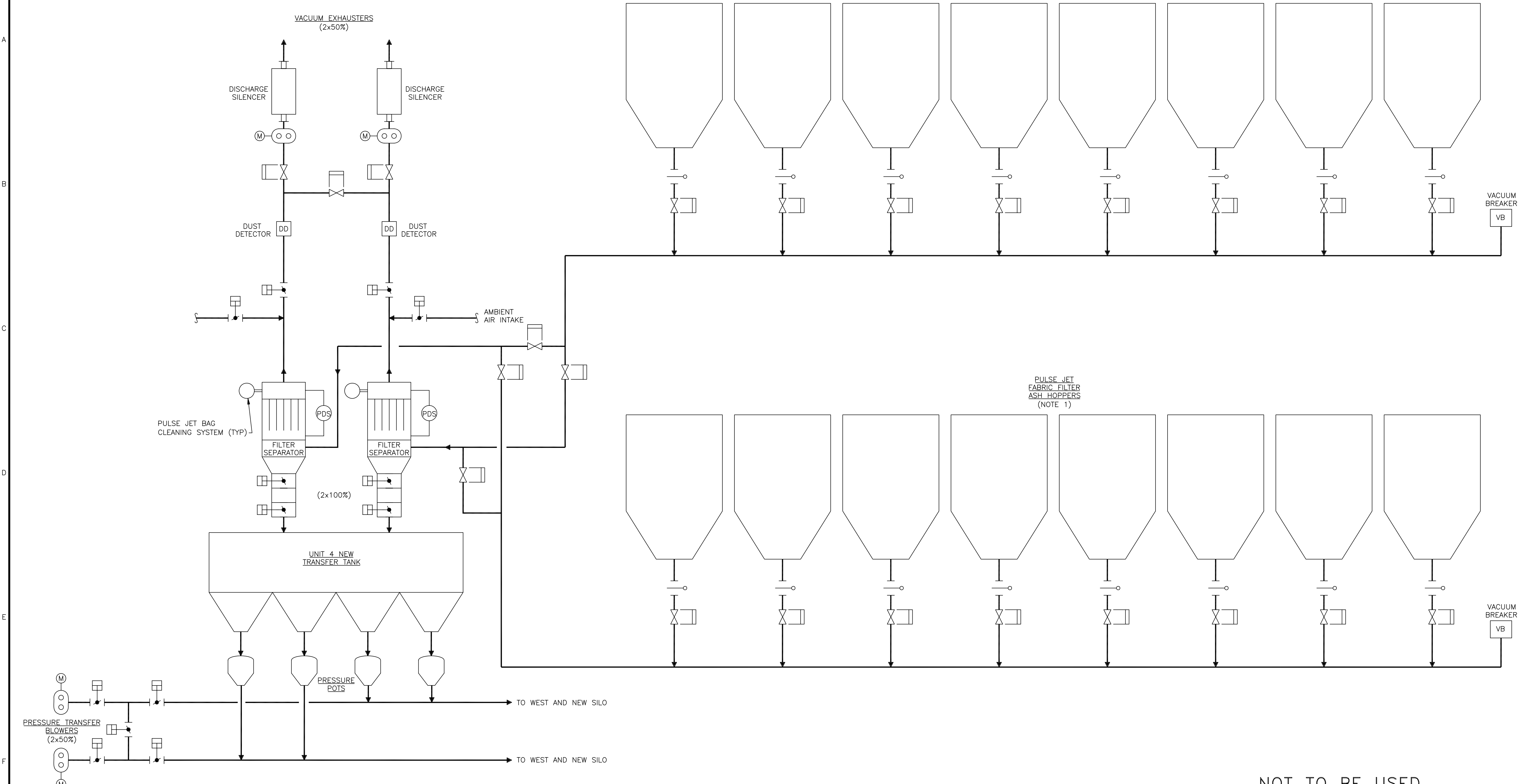


- NOTES:
1. NUMBER OF HOPPERS TO BE CONFIRMED DURING DETAILED DESIGN.
 2. SIZE AND QUANTITY OF ADDITIONAL EQUIPMENT REQUIRED TO BE DETERMINED DURING DETAILED DESIGN.



NOT TO BE USED FOR CONSTRUCTION
 THE DISTRIBUTION AND USE OF THE NATIVE FORMAT CAD FILE OF THIS DRAWING IS UNCONTROLLED. THE USER SHALL VERIFY TRACEABILITY OF THIS DRAWING TO THE LATEST CONTROLLED VERSION.

PR03292
 03/09/11 08:13:17
 ACAD 16.1s (LWS Tech)

NO	DATE	REVISIONS AND RECORD OF ISSUE	DRN	DES	CHK	PDE	APP
B	27/JAN/11	ISSUED FOR CLIENT REVIEW	PRP	NCM	MRW		
A	14/JAN/11	ISSUED FOR IN HOUSE REVIEW	HWB	NCM	MRW		

BLACK & VEATCH CORPORATION

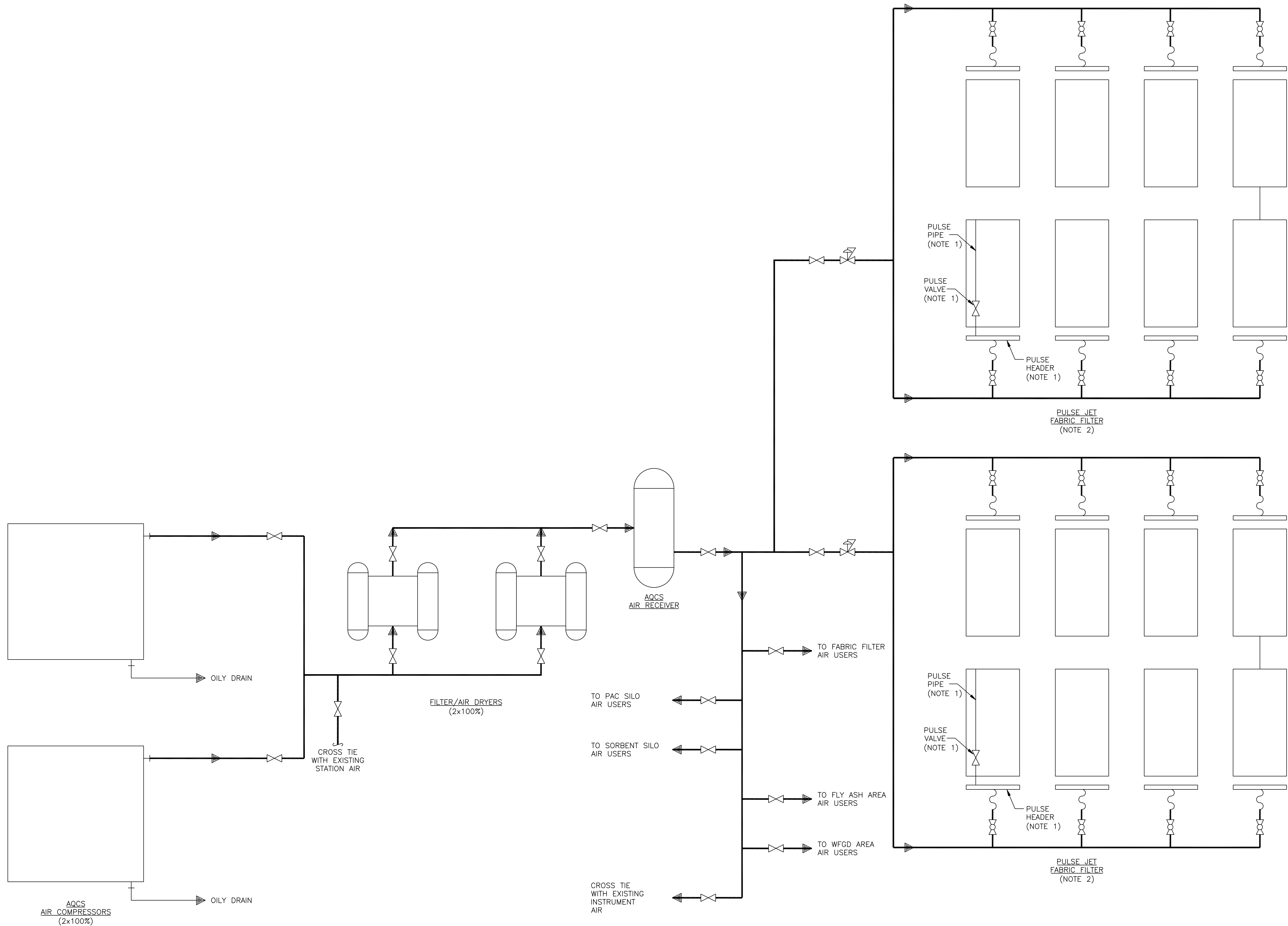
DRAWN: HWB
 DATE: _____

LG&E/KU – MILL CREEK STATION
 PHASE II: AIR QUALITY CONTROL STUDY

UNIT 4 PROCESS FLOW DIAGRAM
 FLY ASH HANDLING

PROJECT	DRAWING NUMBER	REV
168908-M4ASB-M2022		B
CODE		
AREA		

- NOTES:**
1. EACH COMPARTMENT WILL HAVE MORE THAN ONE PULSE HEADER AND MULTIPLE PULSE VALVES AND PULSE PIPES. ONE SET IS SHOWN FOR CLARITY.
 2. NUMBER OF COMPARTMENTS TO BE CONFIRMED DURING DETAILED DESIGN.

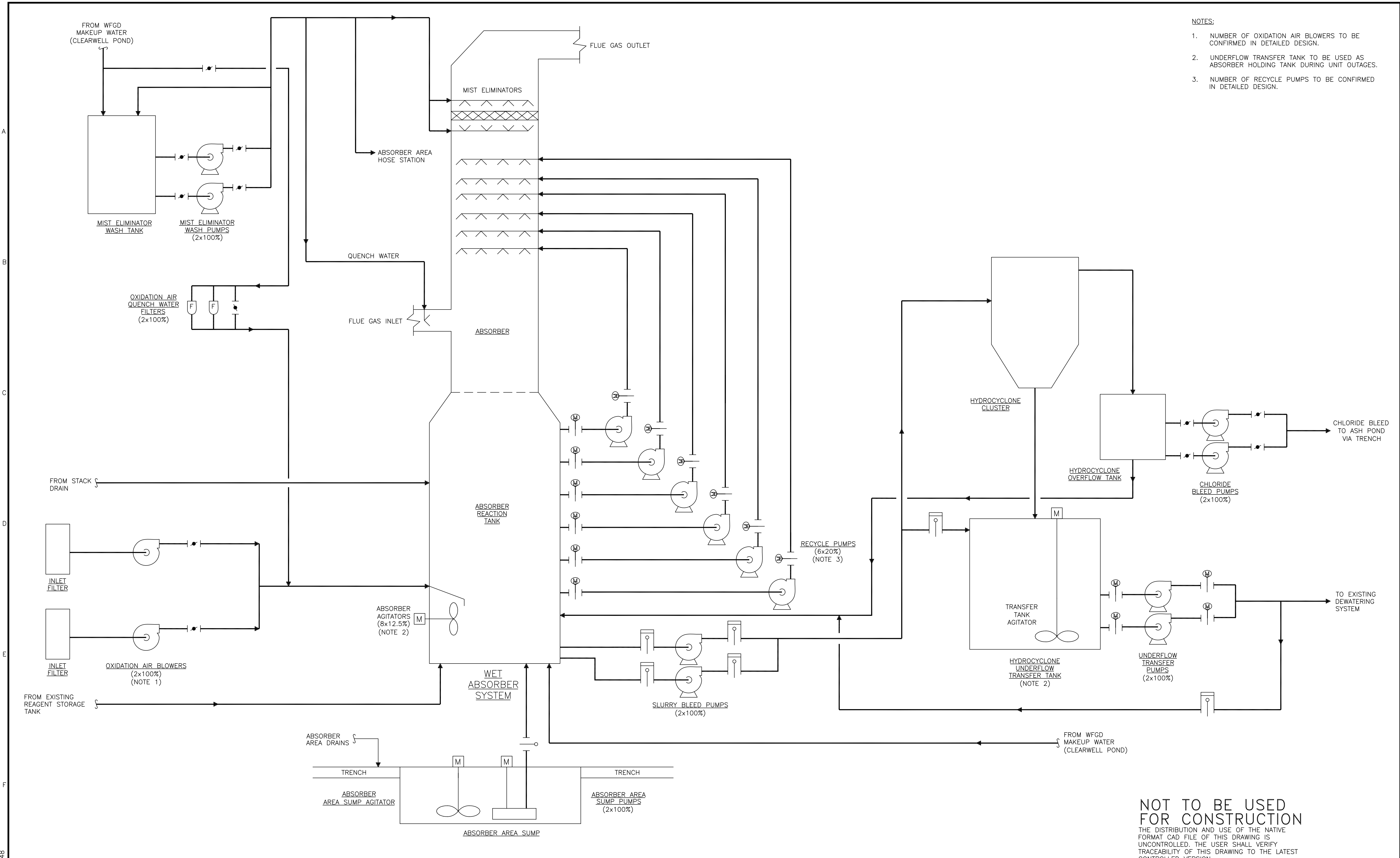


PR03292
 A173510/13
 01/25/11 10:00:14
 ACAD 16.1s (LMS Tech)
 I=1

NO	DATE	REVISIONS AND RECORD OF ISSUE	DRN	DES	CHK	PDE	APP
B	27/JAN/11	ISSUED FOR CLIENT REVIEW	PRF	NCM	MRW		
A	14/JAN/11	ISSUED FOR IN HOUSE REVIEW	HWB	NCM	MRW		

	LG&E/KU - MILL CREEK STATION PHASE II: AIR QUALITY CONTROL STUDY	PROJECT 168908-M4CAB-M2182	DRAWING NUMBER B
	UNIT 4 PROCESS FLOW DIAGRAM AQCS COMPRESSED AIR	CODE AREA	

- NOTES:**
1. NUMBER OF OXIDATION AIR BLOWERS TO BE CONFIRMED IN DETAILED DESIGN.
 2. UNDERFLOW TRANSFER TANK TO BE USED AS ABSORBER HOLDING TANK DURING UNIT OUTAGES.
 3. NUMBER OF RECYCLE PUMPS TO BE CONFIRMED IN DETAILED DESIGN.



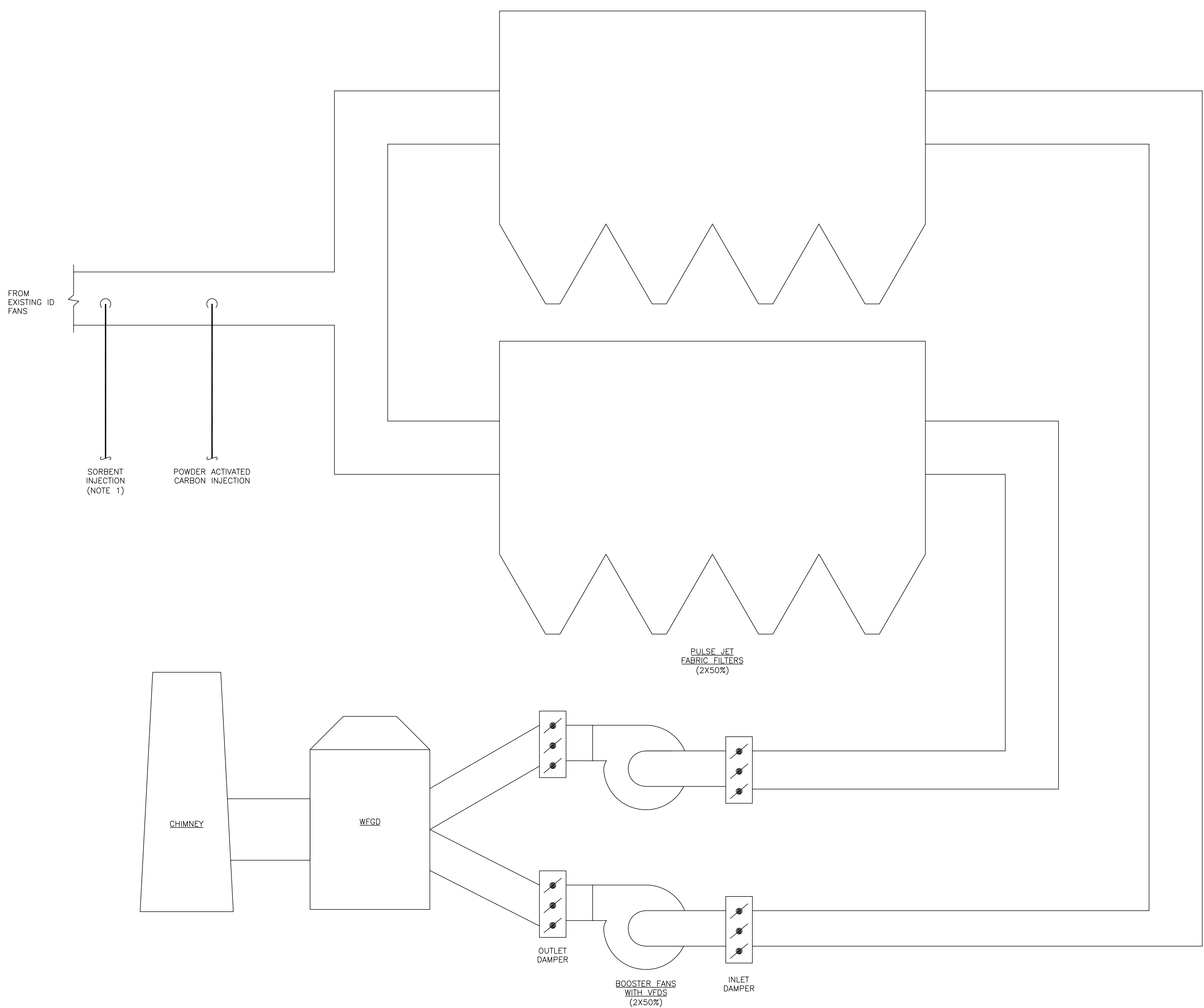
NOT TO BE USED FOR CONSTRUCTION
 THE DISTRIBUTION AND USE OF THE NATIVE FORMAT CAD FILE OF THIS DRAWING IS UNCONTROLLED. THE USER SHALL VERIFY TRACEABILITY OF THIS DRAWING TO THE LATEST CONTROLLED VERSION.

PR03292
 03/02/11 15:38:48
 ACAD 16.1s (LWS Tech)

NO	DATE	REVISIONS AND RECORD OF ISSUE	DRN	DES	CHK	PDE	APP
B	27/JAN/11	ISSUED FOR CLIENT REVIEW	PRP	NCM	MRW		
A	14/JAN/11	ISSUED FOR IN HOUSE REVIEW	HWB	NCM	MRW		

BLACK & VEATCH CORPORATION	LG&E/KU – MILL CREEK STATION PHASE II: AIR QUALITY CONTROL STUDY	PROJECT 168908–M4CCC–M2143	DRAWING NUMBER 168908–M4CCC–M2143	REV B
	UNIT 4 PROCESS FLOW DIAGRAM FLUE GAS DESULFURIZATION	CODE AREA		

NOTES:
 1. SORBENT INJECTION POINT DEPENDENT ON SORBENT USED.



NOT TO BE USED FOR CONSTRUCTION
 THE DISTRIBUTION AND USE OF THE NATIVE FORMAT CAD FILE OF THIS DRAWING IS UNCONTROLLED. THE USER SHALL VERIFY TRACEABILITY OF THIS DRAWING TO THE LATEST CONTROLLED VERSION.

PR03292 ACAD 16.1s (LMS Tech) 01/26/11 07:21:18

NO	DATE	REVISIONS AND RECORD OF ISSUE	DRN	DES	CHK	PDE	APP
B	27/JAN/11	ISSUED FOR CLIENT REVIEW	PRP	NCM	MRW		
A	14/JAN/11	ISSUED FOR IN HOUSE REVIEW	HWB	NCM	MRW		

BLACK & VEATCH CORPORATION

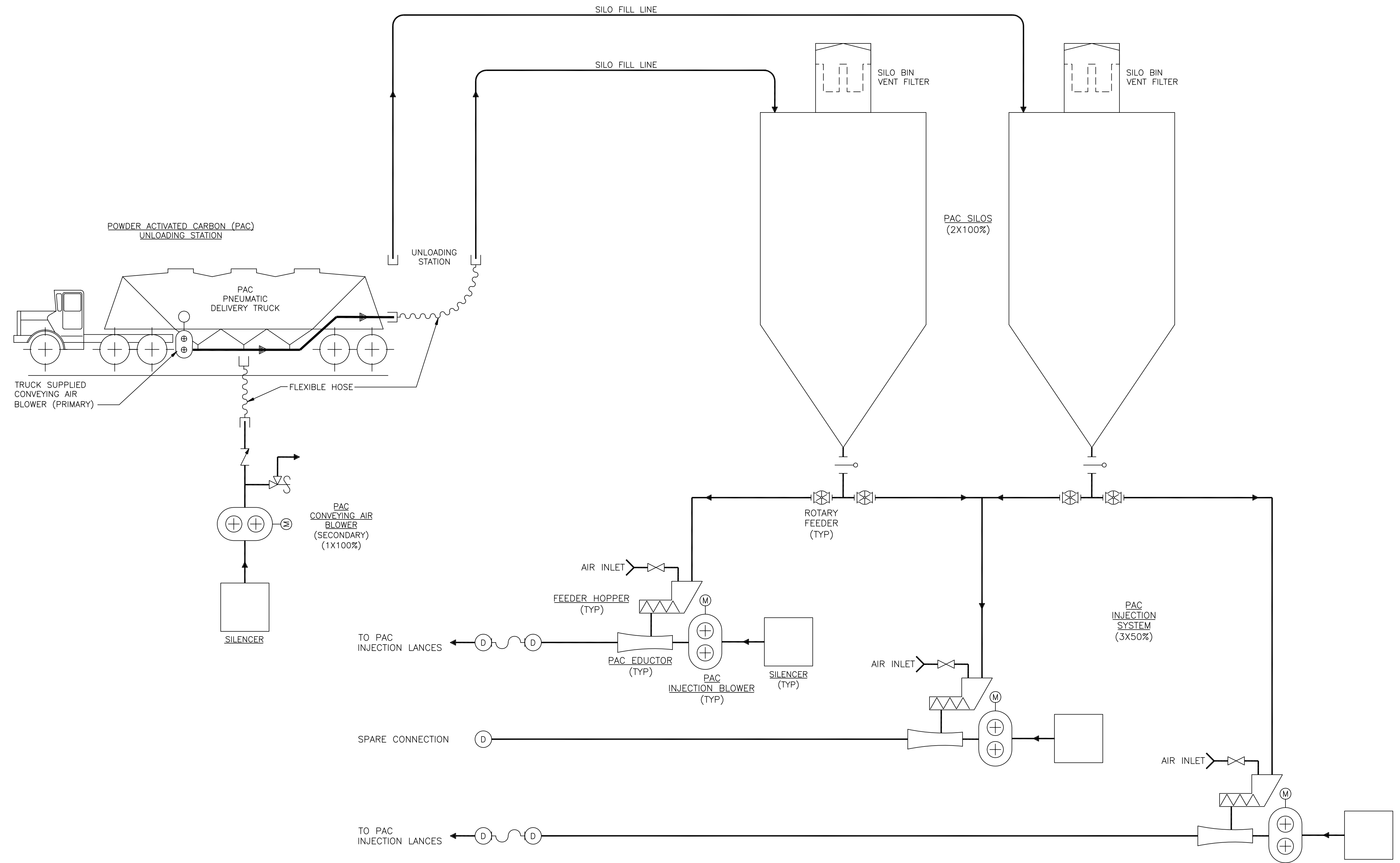
DRAWN: HWB
 DATE: _____

LG&E/KU - MILL CREEK STATION
 PHASE II: AIR QUALITY CONTROL STUDY

UNIT 4 PROCESS FLOW DIAGRAM
 INDUCED DRAFT

PROJECT	DRAWING NUMBER	REV
168908-M4CCE-M2145		B
CODE		
AREA		

A
B
C
D
E
F



NOT TO BE USED FOR CONSTRUCTION
 THE DISTRIBUTION AND USE OF THE NATIVE FORMAT CAD FILE OF THIS DRAWING IS UNCONTROLLED. THE USER SHALL VERIFY TRACEABILITY OF THIS DRAWING TO THE LATEST CONTROLLED VERSION.

PR03292
 01/25/11 10:00:25
 ACAD 16.1s (LWS Tech)
 D1

NO	DATE	REVISIONS AND RECORD OF ISSUE	DRN	DES	CHK	PDE	APP
B	27/JAN/11	ISSUED FOR CLIENT REVIEW	PRP	NCM	MRW		
A	14/JAN/11	ISSUED FOR IN HOUSE REVIEW	HWB	NCM	MRW		

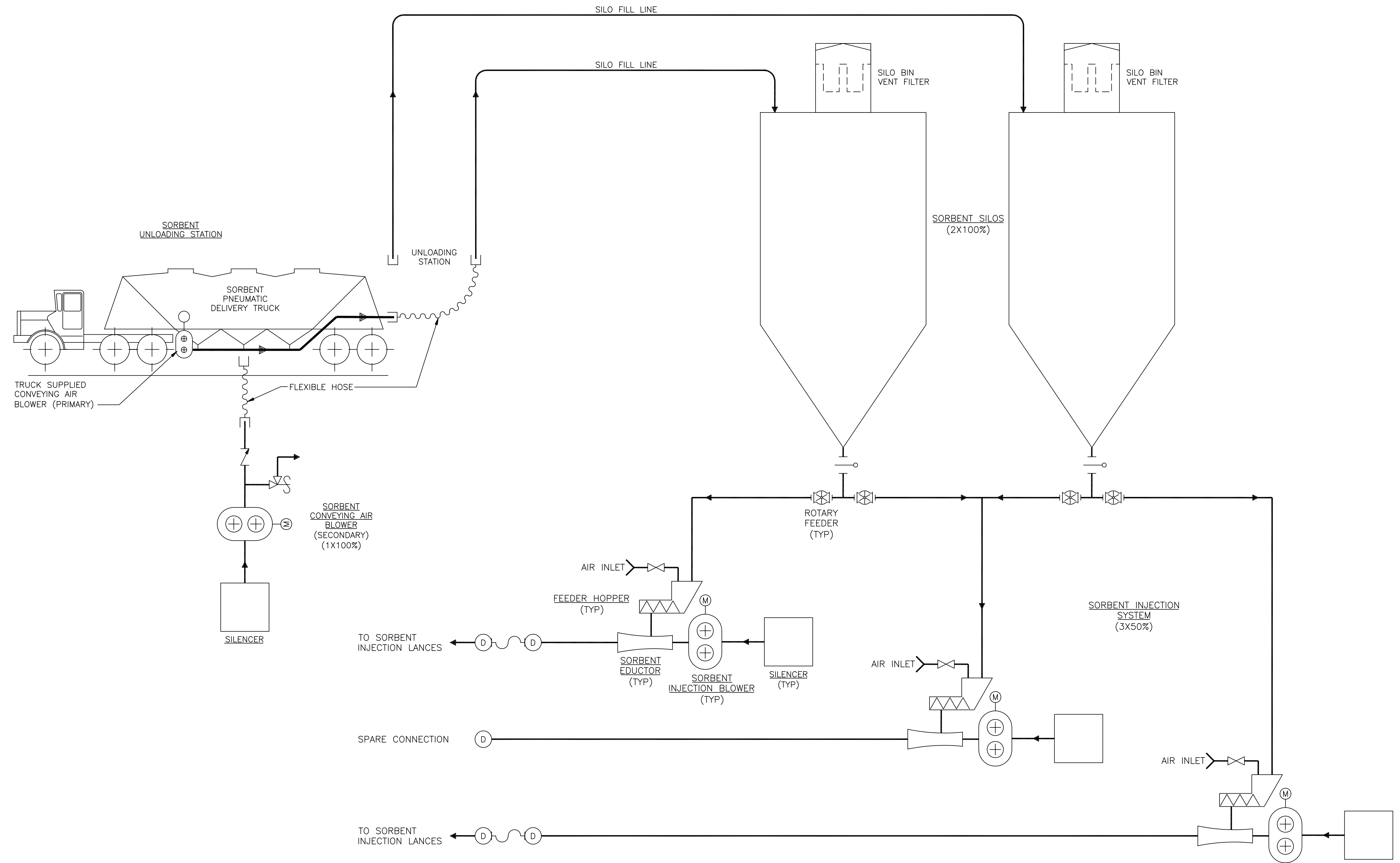
BLACK & VEATCH CORPORATION

DRAWN: HWB
 DATE: _____

LG&E/KU - MILL CREEK STATION
 PHASE II: AIR QUALITY CONTROL STUDY

UNIT 4 PROCESS FLOW DIAGRAM
 POWDER ACTIVATED CARBON INJECTION

PROJECT	DRAWING NUMBER	REV
168908-M4CCH-M2148A	B	
CODE	AREA	



NOT TO BE USED FOR CONSTRUCTION
 THE DISTRIBUTION AND USE OF THE NATIVE FORMAT CAD FILE OF THIS DRAWING IS UNCONTROLLED. THE USER SHALL VERIFY TRACEABILITY OF THIS DRAWING TO THE LATEST CONTROLLED VERSION.

PR03292
 2/17/2011 10:00:15
 ACAD 16.1s (LWS Tech)

NO	DATE	REVISIONS AND RECORD OF ISSUE	DRN	DES	CHK	PDE	APP
B	27/JAN/11	ISSUED FOR CLIENT REVIEW	PRP	NCM	MRW		
A	14/JAN/11	ISSUED FOR IN HOUSE REVIEW	HWB	NCM	MRW		

BLACK & VEATCH CORPORATION

DRAWN: HWB
 DATE: _____

LG&E/KU - MILL CREEK STATION
PHASE II: AIR QUALITY CONTROL STUDY

UNIT 4 PROCESS FLOW DIAGRAM
 SORBENT INJECTION

PROJECT	DRAWING NUMBER	REV
168908-M4CCH-M2148B	B	
CODE		
AREA		