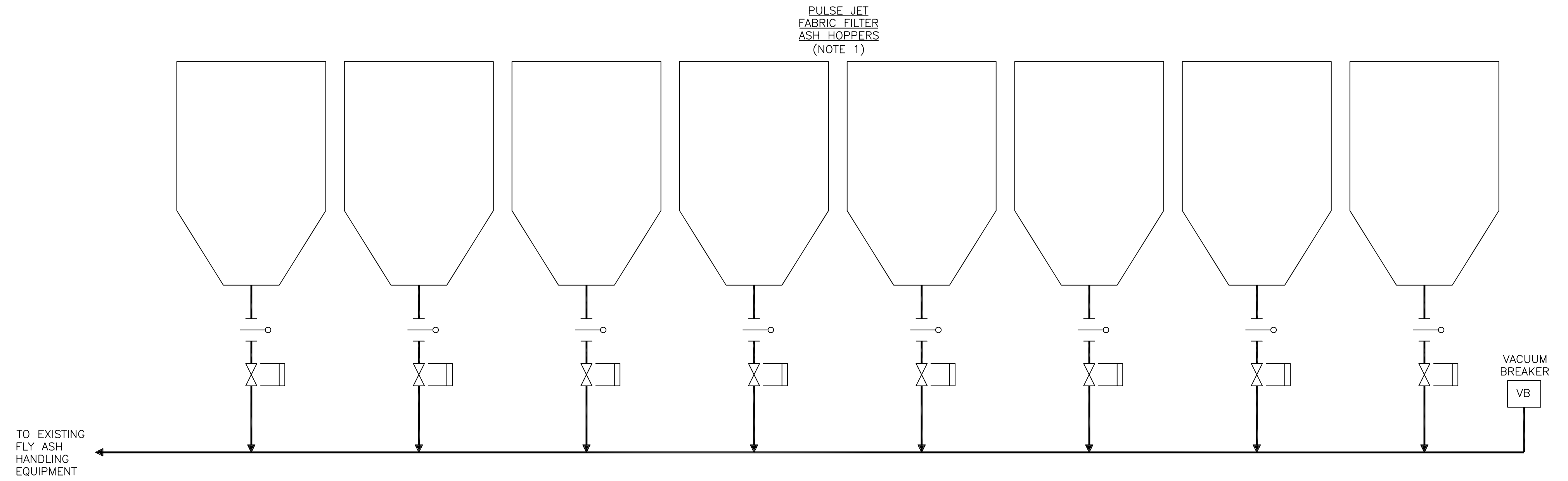
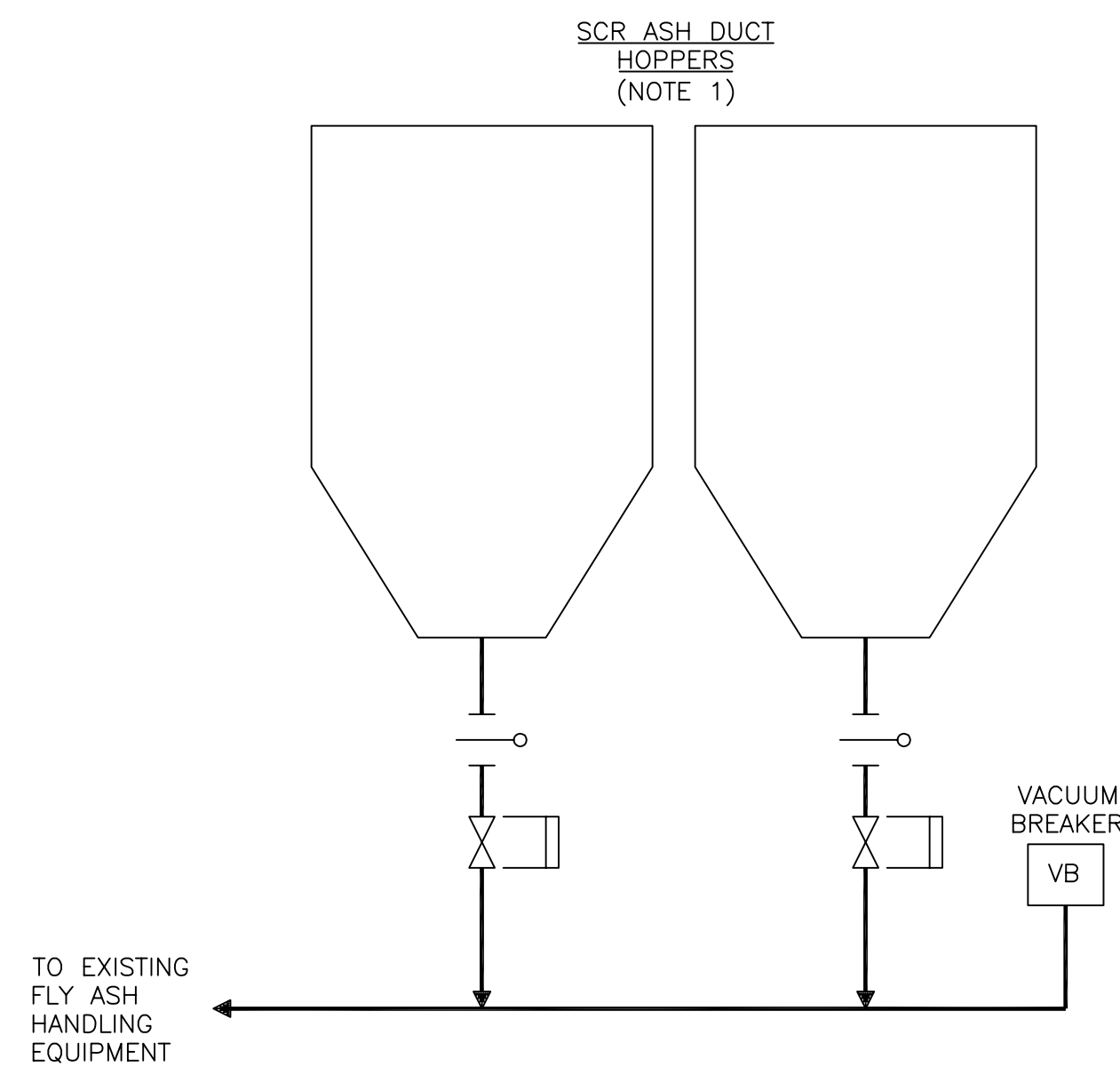


- NOTES:
1. NUMBER OF HOPPERS TO BE CONFIRMED DURING DETAILED DESIGN.
  2. SIZE AND QUANTITY OF ADDITIONAL EQUIPMENT REQUIRED TO BE DETERMINED DURING DETAILED DESIGN.



**NOT TO BE USED FOR CONSTRUCTION**  
 THE DISTRIBUTION AND USE OF THE NATIVE FORMAT CAD FILE OF THIS DRAWING IS UNCONTROLLED. THE USER SHALL VERIFY TRACEABILITY OF THIS DRAWING TO THE LATEST CONTROLLED VERSION.

PR03292 ACAD 16.1s (LMS Tech) 03/07/11 08:09:08

NO	DATE	REVISIONS AND RECORD OF ISSUE	DRN	DES	CHK	PDE	APP
B	27/JAN/11	ISSUED FOR CLIENT REVIEW	PRP	NCM	MRW		
A	14/JAN/11	ISSUED FOR IN HOUSE REVIEW	HWB	NCM	MRW		

**BLACK & VEATCH CORPORATION**

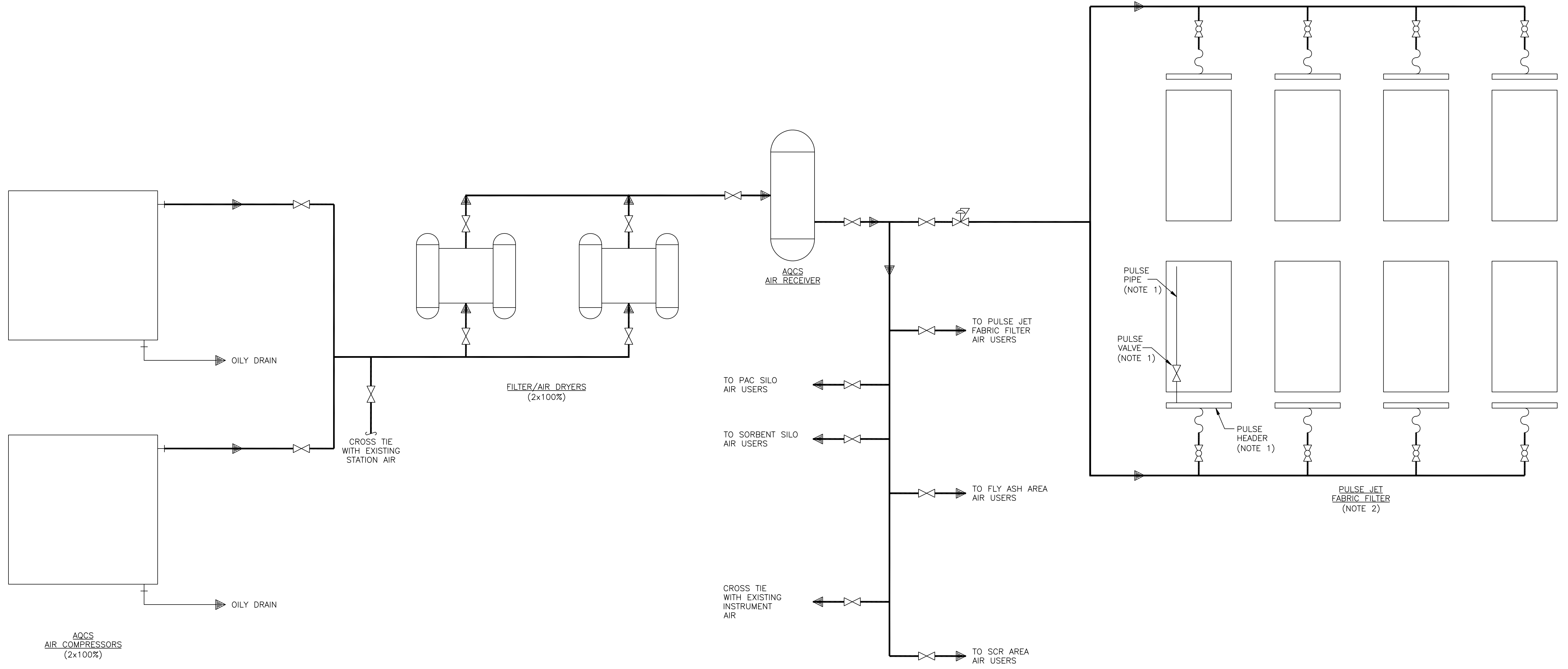
DRAWN: HWB  
 DATE: \_\_\_\_\_

**LG&E/KU - MILL CREEK STATION**  
 PHASE II: AIR QUALITY CONTROL STUDY

UNIT 1 PROCESS FLOW DIAGRAM  
 FLY ASH HANDLING

PROJECT	DRAWING NUMBER	REV
168908-M1ASB-M2022		B
CODE	AREA	

- NOTES:**
1. EACH COMPARTMENT WILL HAVE MORE THAN ONE PULSE HEADER AND MULTIPLE PULSE VALVES AND PULSE PIPES. ONE SET IS SHOWN FOR CLARITY.
  2. NUMBER OF COMPARTMENTS TO BE CONFIRMED DURING DETAILED DESIGN.



**NOT TO BE USED FOR CONSTRUCTION**  
 THE DISTRIBUTION AND USE OF THE NATIVE FORMAT CAD FILE OF THIS DRAWING IS UNCONTROLLED. THE USER SHALL VERIFY TRACEABILITY OF THIS DRAWING TO THE LATEST CONTROLLED VERSION.

PR03292  
 A1725/11  
 01/25/11 08:02:21  
 ACAD 16.1s (LMS Tech)  
 I=1

NO	DATE	REVISIONS AND RECORD OF ISSUE	DRN	DES	CHK	PDE	APP
B	27/JAN/11	ISSUED FOR CLIENT REVIEW	PRP	NCM	MRW		
A	14/JAN/11	ISSUED FOR IN HOUSE REVIEW	HWB	NCM	MRW		

**BLACK & VEATCH CORPORATION**

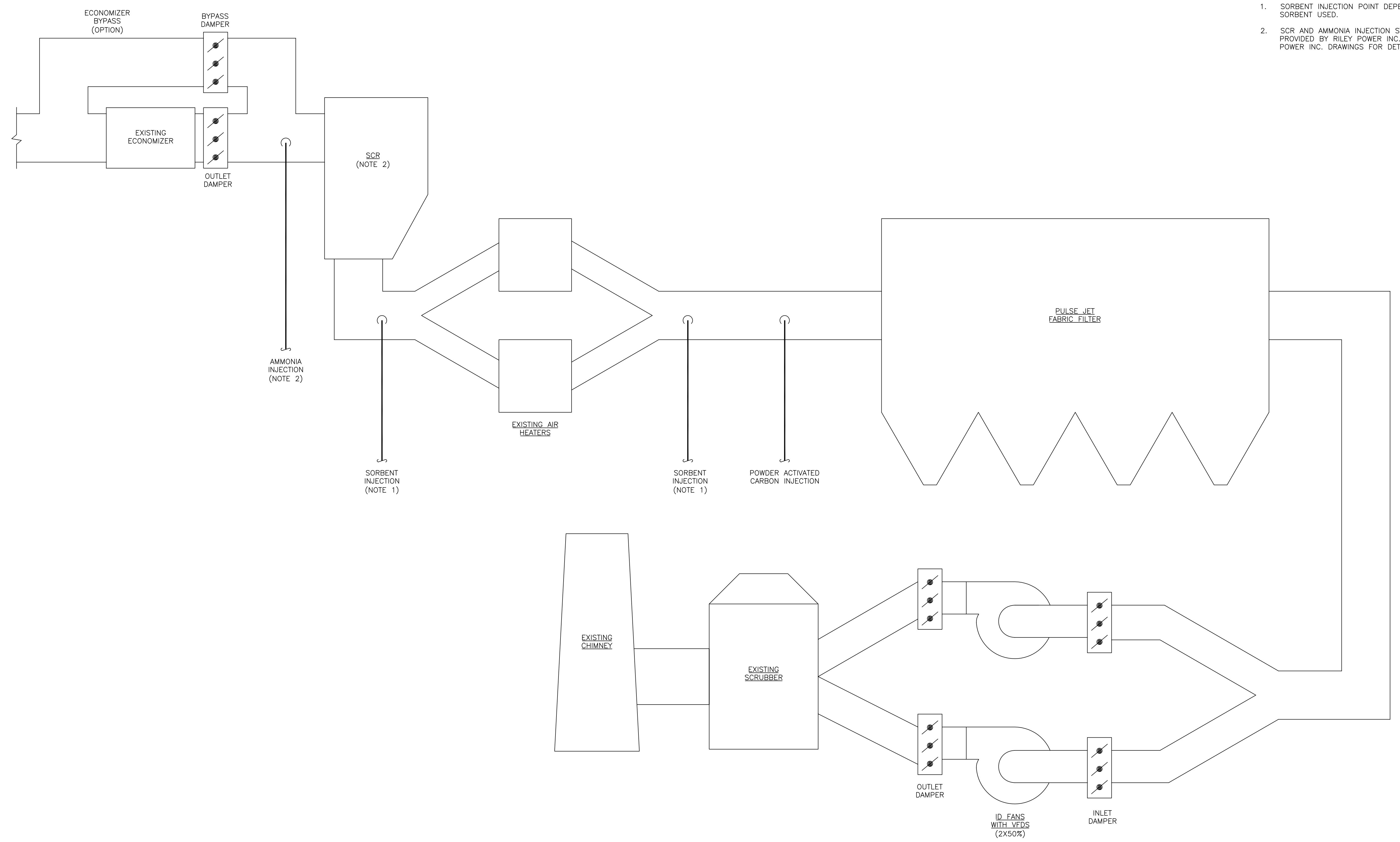
DRAWN: HWB  
 DATE: \_\_\_\_\_

**LG&E/KU - MILL CREEK STATION**  
**PHASE II: AIR QUALITY CONTROL STUDY**

UNIT 1 PROCESS FLOW DIAGRAM  
 AQCS COMPRESSED AIR

PROJECT	DRAWING NUMBER	REV
168908-M1CAB-M2182	B	
CODE	AREA	

- NOTES:**
1. SORBENT INJECTION POINT DEPENDENT ON SORBENT USED.
  2. SCR AND AMMONIA INJECTION SYSTEMS ARE PROVIDED BY RILEY POWER INC. REFER TO RILEY POWER INC. DRAWINGS FOR DETAILS.



**NOT TO BE USED FOR CONSTRUCTION**  
 THE DISTRIBUTION AND USE OF THE NATIVE FORMAT CAD FILE OF THIS DRAWING IS UNCONTROLLED. THE USER SHALL VERIFY TRACEABILITY OF THIS DRAWING TO THE LATEST CONTROLLED VERSION.

PR03292 D1 ACAD 16.1s (LWS Tech) 20/24/11 11:17:50

NO	DATE	REVISIONS AND RECORD OF ISSUE	DRN	DES	CHK	PDE	APP
B	27/JAN/11	ISSUED FOR CLIENT REVIEW	PRP	NCM	MRW		
A	14/JAN/11	ISSUED FOR IN HOUSE REVIEW	HWB	NCM	MRW		

**BLACK & VEATCH CORPORATION**

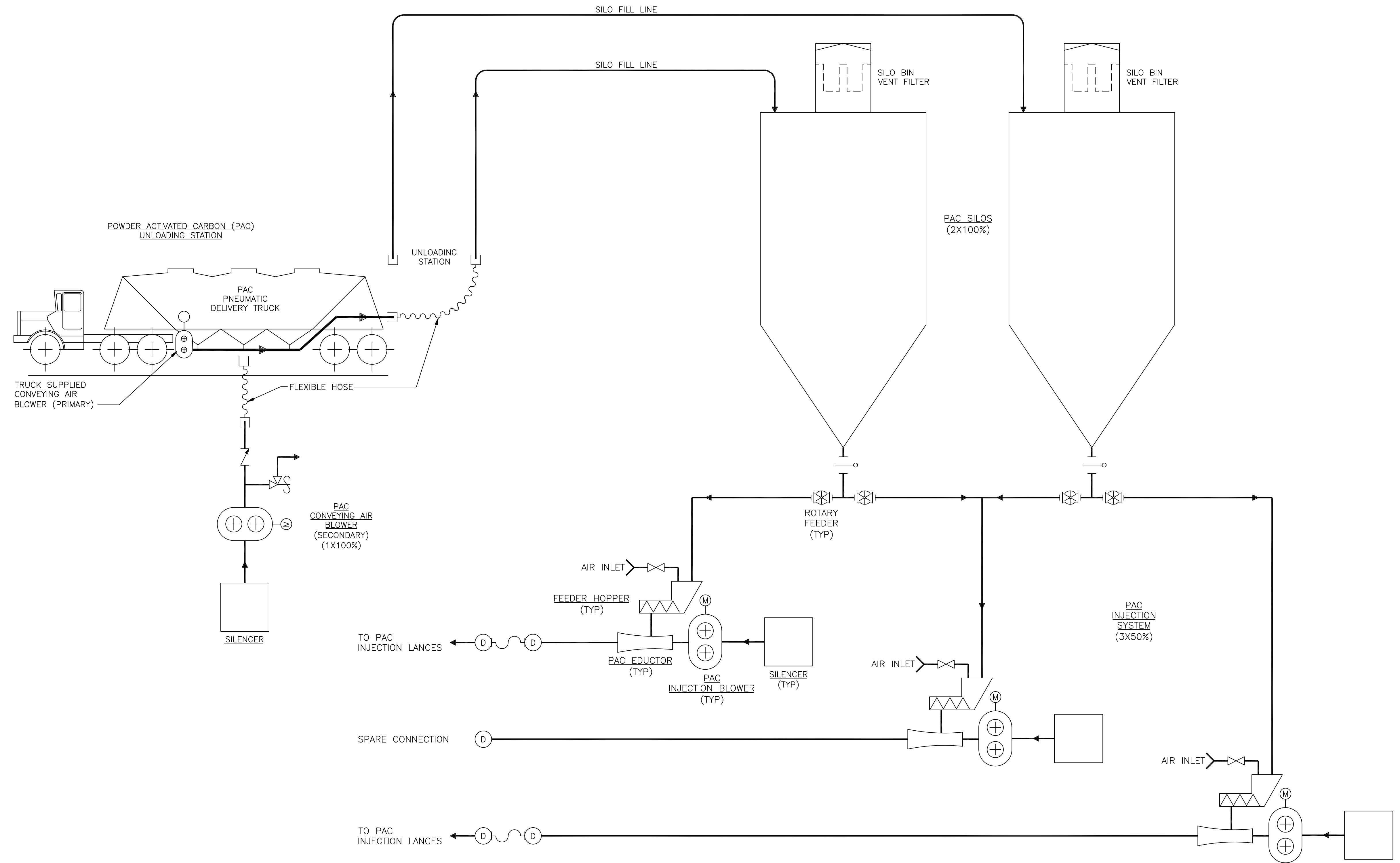
DRAWN: HWB  
 DATE: \_\_\_\_\_

**LG&E/KU - MILL CREEK STATION**  
**PHASE II: AIR QUALITY CONTROL STUDY**

UNIT 1 PROCESS FLOW DIAGRAM  
 INDUCED DRAFT

PROJECT	DRAWING NUMBER	REV
168908-M1CCE-M2145		B
CODE		
AREA		

A  
B  
C  
D  
E  
F



**NOT TO BE USED FOR CONSTRUCTION**  
 THE DISTRIBUTION AND USE OF THE NATIVE FORMAT CAD FILE OF THIS DRAWING IS UNCONTROLLED. THE USER SHALL VERIFY TRACEABILITY OF THIS DRAWING TO THE LATEST CONTROLLED VERSION.

PR03292  
 01/25/11 08:02:32  
 ACAD 16.1s (LWS Tech)

NO	DATE	REVISIONS AND RECORD OF ISSUE	DRN	DES	CHK	PDE	APP
B	27/JAN/11	ISSUED FOR CLIENT REVIEW	PRP	NCM	MRW		
A	14/JAN/11	ISSUED FOR IN HOUSE REVIEW	HWB	NCM	MRW		

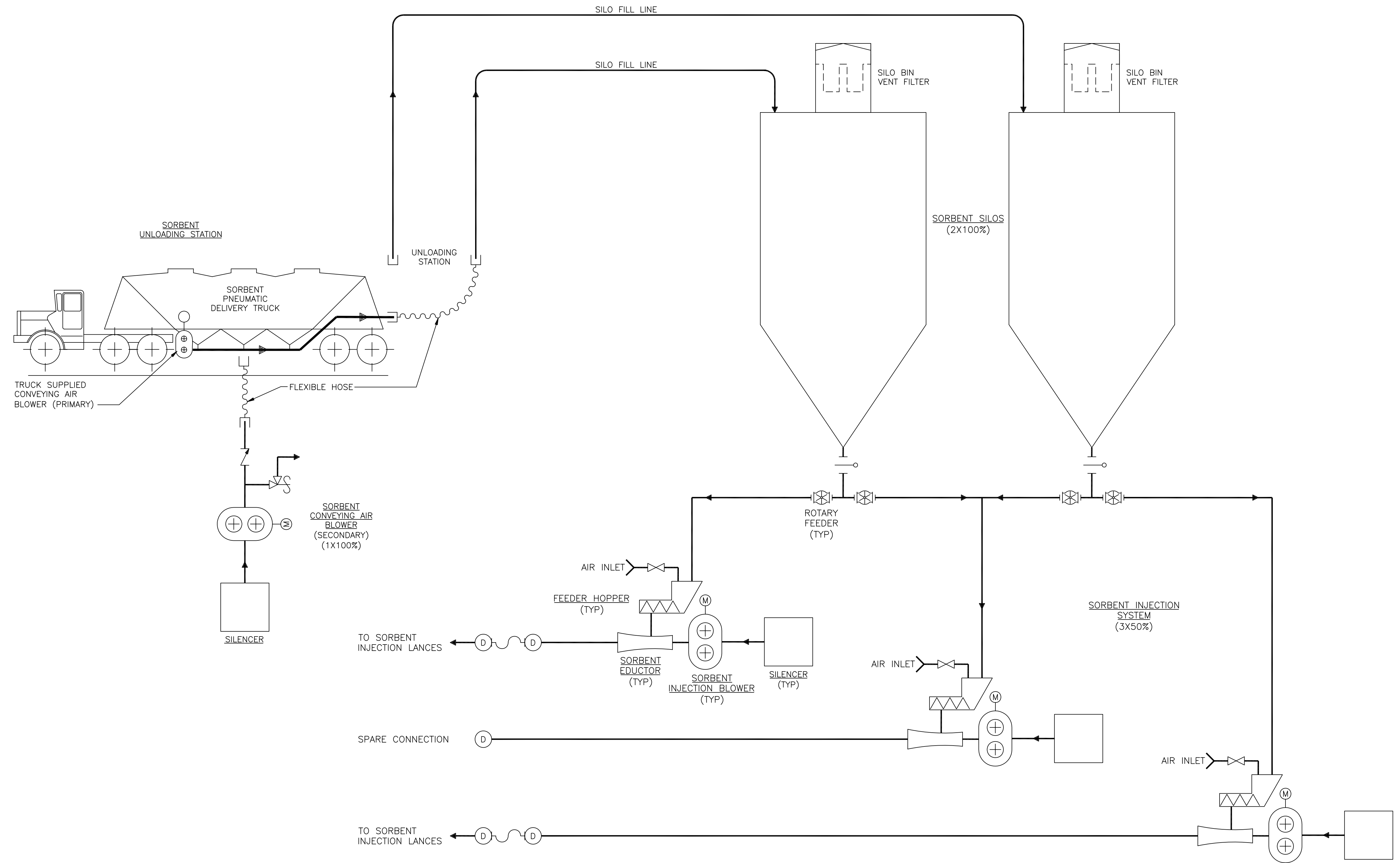
**BLACK & VEATCH CORPORATION**

DRAWN: HWB  
 DATE: \_\_\_\_\_

**LG&E/KU – MILL CREEK STATION**  
**PHASE II: AIR QUALITY CONTROL STUDY**

UNIT 1 PROCESS FLOW DIAGRAM  
 POWDER ACTIVATED CARBON INJECTION

PROJECT	DRAWING NUMBER	REV
168908-M1CCH-M2148A	B	
CODE	AREA	



**NOT TO BE USED FOR CONSTRUCTION**  
 THE DISTRIBUTION AND USE OF THE NATIVE FORMAT CAD FILE OF THIS DRAWING IS UNCONTROLLED. THE USER SHALL VERIFY TRACEABILITY OF THIS DRAWING TO THE LATEST CONTROLLED VERSION.

PR03292  
 A173510/13  
 01/25/11 08:02:26

NO	DATE	REVISIONS AND RECORD OF ISSUE	DRN	DES	CHK	PDE	APP
B	27/JAN/11	ISSUED FOR CLIENT REVIEW	PRP	NCM	MRW		
A	14/JAN/11	ISSUED FOR IN HOUSE REVIEW	HWB	NCM	MRW		

**BLACK & VEATCH CORPORATION**

DRAWN: HWB  
 DATE: \_\_\_\_\_

**LG&E/KU – MILL CREEK STATION**  
**PHASE II: AIR QUALITY CONTROL STUDY**

UNIT 1 PROCESS FLOW DIAGRAM  
 SORBENT INJECTION

PROJECT	DRAWING NUMBER	REV
168908-M1CCH-M2148B	B	
CODE		
AREA		

PIPING SYMBOLS

PIPE LINES	VALVES	FLOW ELEMENTS	EQUIPMENT & EQUIPMENT TRIM (CONT.)		
PRIMARY PIPING DIRECTION OF FLOW SECONDARY PIPING INSULATION WITH ELECTRIC HEAT TRACE INSULATION ONLY VESSEL INSULATION ATMOSPHERIC VENT DRAIN LINE UD - UNDERGROUND DRAIN OW - OILY WASTE HUB-UP	<p>NOTE 1 OPEN CLOSED</p> GATE VALVE BALL VALVE GLOBE VALVE BUTTERFLY VALVE KNIFE GATE VALVE PLUG VALVE CHECK VALVE NEEDLE VALVE PINCH VALVE EXCESS FLOW VALVE BLOCK AND BLEED VALVE SNAPPY JOE MANIFOLD (2 CONNECTIONS) MANIFOLD (3 CONNECTIONS) MANIFOLD (5 CONNECTIONS) HYDROSTATIC RELIEF VALVE 3-WAY VALVE 4-WAY VALVE ANGLE VALVE DIAPHRAGM VALVE ROTARY VALVE DIAPHRAGM SEAL RUPTURE DISK	ORIFICE ROTAMETER AVERAGING PITOT MAGNETIC FLOW METER DENSITY METER VENTURI THERMAL MASS FLOW METER CORIOLIS FLOW METER VORTEX FLOW METER	PUMP CENTRIFUGAL BLOWER AIR EXCHANGER/COOLER AIR EXCHANGER/HEATER HEATER COMPRESSOR MOTOR AGITATOR EQUIPMENT NOZZLE BUTTERFLY DAMPER MULTI-LOUVERED DAMPER DOUBLE LOUVER DAMPER GUILLOTINE DAMPER SONIC HORN RETRACT SOOTBLOWER ROTARY SOOTBLOWER FLOW DIVERTER DRUM ROTARY FEEDER DOSAGE ROLLER HOIST HYDROCYCLONE SCREW FEEDER		
SIGNAL LINES		PIPE FITTINGS			
CONNECTION TO PROCESS LINE CAPILLARY TUBE MECHANICAL LINK ELECTRIC ELECTRIC BINARY PNEUMATIC PNEUMATIC BINARY HYDRAULIC ELECTRO MAGNETIC OR SONIC SOFTWARE OR DATA LINK UNDEFINED	FLANGE HOSE CONNECTION PIPE CAP PIPE PLUG FLEXIBLE HOSE REDUCER SPRAY NOZZLE EXPANSION JOINT / FLEX CONNECTOR COUPLING TEST CONNECTION CERAMIC SPOOL PIECE	<th>EQUIPMENT &amp; EQUIPMENT TRIM</th>		EQUIPMENT & EQUIPMENT TRIM	
<th>LINE MISCELLANEOUS</th> <td>  SPEC BREAK   SCOPE LINE   SKID BOUNDARY   TERMINAL POINT   INDICATES SLOPED LINE                 </td> <td> <th>ACTUATOR AND REGULATOR VALVES</th> <td>  DIAPHRAGM ACTUATOR   DIAPHRAGM ACTUATOR WITH SOLENOID   DIAPHRAGM ACTUATOR WITH SOLENOID AND POSITIONER   CYLINDER ACTUATOR (PNEUMATIC OR HYDRAULIC)   CYLINDER ACTUATOR (PNEUMATIC OR HYDRAULIC) WITH SOLENOID   MOTOR ACTUATOR   HYDRAULIC ACTUATOR   PNEUMATIC ACTUATOR   SOLENOID ACTUATOR   PRESSURE SAFETY REGULATOR   SELF-CONTAINED PRESSURE REDUCING REGULATOR   SELF-CONTAINED BACK PRESSURE REGULATOR   SELF-CONTAINED CONSTANT FLOW REGULATOR   FLOW REGULATOR (AIR PURGE)                 </td> </td>	LINE MISCELLANEOUS	SPEC BREAK SCOPE LINE SKID BOUNDARY TERMINAL POINT INDICATES SLOPED LINE	<th>ACTUATOR AND REGULATOR VALVES</th> <td>  DIAPHRAGM ACTUATOR   DIAPHRAGM ACTUATOR WITH SOLENOID   DIAPHRAGM ACTUATOR WITH SOLENOID AND POSITIONER   CYLINDER ACTUATOR (PNEUMATIC OR HYDRAULIC)   CYLINDER ACTUATOR (PNEUMATIC OR HYDRAULIC) WITH SOLENOID   MOTOR ACTUATOR   HYDRAULIC ACTUATOR   PNEUMATIC ACTUATOR   SOLENOID ACTUATOR   PRESSURE SAFETY REGULATOR   SELF-CONTAINED PRESSURE REDUCING REGULATOR   SELF-CONTAINED BACK PRESSURE REGULATOR   SELF-CONTAINED CONSTANT FLOW REGULATOR   FLOW REGULATOR (AIR PURGE)                 </td>	ACTUATOR AND REGULATOR VALVES	DIAPHRAGM ACTUATOR DIAPHRAGM ACTUATOR WITH SOLENOID DIAPHRAGM ACTUATOR WITH SOLENOID AND POSITIONER CYLINDER ACTUATOR (PNEUMATIC OR HYDRAULIC) CYLINDER ACTUATOR (PNEUMATIC OR HYDRAULIC) WITH SOLENOID MOTOR ACTUATOR HYDRAULIC ACTUATOR PNEUMATIC ACTUATOR SOLENOID ACTUATOR PRESSURE SAFETY REGULATOR SELF-CONTAINED PRESSURE REDUCING REGULATOR SELF-CONTAINED BACK PRESSURE REGULATOR SELF-CONTAINED CONSTANT FLOW REGULATOR FLOW REGULATOR (AIR PURGE)

CONTROL FUNCTIONS

	FIELD MOUNT (NO PANEL)	MAIN PANEL OPERATOR ACCESSIBLE	INSIDE MAIN PANEL (NOT ACCESSIBLE)	SECONDARY PANEL OPERATOR ACCESSIBLE	INSIDE SECONDARY PANEL (NOT ACCESSIBLE)
PRIMARY CHOICE OR BASIC CONTROL SYSTEM					
ALTERNATIVE CHOICE OR SAFETY INSTRUMENTED SYS.					
COMPUTER SYSTEMS AND SOFTWARE					
DISCRETE					

\* NORMALLY INACCESSIBLE OR BEHIND THE PANEL DEVICES OR FUNCTIONS ARE DEPICTED BY USING THE SAME SYMBOLS BUT WITH DASHED HORIZONTAL BARS.

THIS DRAWING IS CONCEPTUAL IN NATURE AND IS NOT A COMPLETE OR FINAL WORK PRODUCT. THE ILLUSTRATED PROCESSES, SYSTEMS, DIMENSIONS, PARTS AND EQUIPMENT SET FORTH ON THIS DRAWING ARE PRELIMINARY AND SUBJECT TO REVISION. THIS DRAWING IS NOT SUITABLE FOR PROCUREMENT, MANUFACTURE OR INSTALLATION.

TAG NUMBER CONVENTION

LINE DESIGNATION LEGEND	INSTRUMENT DESIGNATION LEGEND																																																																																																		
<p>6" - LSY - 4004 - CS150</p> <p>PIPE SIZE UNIT NO. (OPT.) PROCESS FLUID DRAWING NO. SEQUENTIAL NO. PIPE SPECIFICATION</p> <p>PROCESS FLUID</p> <table border="0"> <tr> <td>ABP ASH BYPRODUCT</td> <td>FG FLUE GAS</td> <td>OFA OVERFIRE AIR</td> </tr> <tr> <td>ARS ABSORBER RECYCLE SLURRY</td> <td>FD FORCED DRAFT AIR</td> <td>PAC POWDERED ACTIVATED CARBON</td> </tr> <tr> <td>NH3 AMMONIA</td> <td>FW FEEDWATER</td> <td>PSH PRIMARY SUPERHEATER</td> </tr> <tr> <td>AA ATOMIZING AIR</td> <td>GS GYPSUM (DRY)</td> <td>PSS PROCESS SLUMP SLURRY</td> </tr> <tr> <td>BA BARRIER AIR</td> <td>GSS GYPSUM SLURRY</td> <td>PW PROCESS WATER</td> </tr> <tr> <td>COMP COMPRESSED AIR</td> <td>HSH HIGH TEMPERATURE SUPERHEATER</td> <td>QW QUENCH WATER</td> </tr> <tr> <td>CD CONDENSATE</td> <td>HF HYDRAULIC FLUID</td> <td>RW RECLAIM WATER</td> </tr> <tr> <td>CA COOLING AIR</td> <td>HL HYDRATED LIME</td> <td>SLA SEAL AIR</td> </tr> <tr> <td>CW COOLING WATER</td> <td>IA INSTRUMENT AIR</td> <td>SA SERVICE WATER</td> </tr> <tr> <td>DA DILUTION AIR</td> <td>LS LIMESTONE</td> <td>SW SERVICE WATER</td> </tr> <tr> <td>DI DISTRIBUTOR AIR</td> <td>LSY LIMESTONE SLURRY</td> <td>SPW SPRAY WATER</td> </tr> <tr> <td>DWC DOWNCOMERS</td> <td>LUB LUBRICATING OIL</td> <td>TA TRANSPORT AIR</td> </tr> <tr> <td>EC ECONOMIZER</td> <td>MSD MAIN STEAM DRUM</td> <td>VT VENT</td> </tr> <tr> <td>FLT FILTRATE</td> <td>OA OXIDATION AIR</td> <td>WW WASTE WATER</td> </tr> </table> <p>PIPE SPECIFICATION (MATERIAL)</p> <table border="0"> <tr> <td>CS150 CARBON STEEL, CLASS 150</td> <td>FRP051 FIBERGLASS REINFORCED PLASTIC 50 PSI RATING WITH CORROSION/ABRASION LINER</td> </tr> <tr> <td>CS153 CARBON STEEL, CLASS 150, SPIRALWELD, 10" AND OVER</td> <td>FRP076 FIBERGLASS REINFORCED PLASTIC 75 PSI RATING WITH CORROSION/ABRASION LINER</td> </tr> <tr> <td>CS154 CARBON STEEL, CLASS 150, LOW PRESSURE BLOWER</td> <td>FRP101 FIBERGLASS REINFORCED PLASTIC 100 PSI RATING WITH CORROSION/ABRASION LINER</td> </tr> <tr> <td>FRP051 FIBERGLASS REINFORCED PLASTIC 50 PSI RATING WITH CORROSION/ABRASION LINER</td> <td>FRP103 FIBERGLASS REINFORCED PLASTIC 100 PSI RATING WITH CERAMIC LINER</td> </tr> <tr> <td>FRP076 FIBERGLASS REINFORCED PLASTIC 75 PSI RATING WITH CORROSION/ABRASION LINER</td> <td>FRP150 FIBERGLASS REINFORCED PLASTIC 150 PSI RATING WITH CORROSION LINER</td> </tr> <tr> <td>FRP101 FIBERGLASS REINFORCED PLASTIC 100 PSI RATING WITH CORROSION/ABRASION LINER</td> <td>FRP151 FIBERGLASS REINFORCED PLASTIC 150 PSI RATING WITH CORROSION/ABRASION LINER</td> </tr> <tr> <td>FRP103 FIBERGLASS REINFORCED PLASTIC 100 PSI RATING WITH CERAMIC LINER</td> <td>SS140 STAINLESS STEEL, CLASS 150, TYPE 304/304L, 2 1/2" AND OVER SCHEDULE 10S</td> </tr> <tr> <td>FRP150 FIBERGLASS REINFORCED PLASTIC 150 PSI RATING WITH CORROSION LINER</td> <td>SS141 STAINLESS STEEL, CLASS 150, TYPE 304/304L, SCHEDULE STANDARD ALL SIZES</td> </tr> <tr> <td>FRP151 FIBERGLASS REINFORCED PLASTIC 150 PSI RATING WITH CORROSION/ABRASION LINER</td> <td>SS170 HASTELLOY CLASS 150, TYPE C-276</td> </tr> <tr> <td>SS140 STAINLESS STEEL, CLASS 150, TYPE 304/304L, 2 1/2" AND OVER SCHEDULE 10S</td> <td>SS190 FERRITIC-AUSTENITIC (DUPLIX) STAINLESS STEEL ALLOY 2205, CLASS 150</td> </tr> </table> <p>PIPE SERVICE</p> <p>OFF-DRAWING PIPING CONNECTOR</p> <p>ON-DRAWING PIPING CONNECTOR</p> <p>DESTINATION DRAWING NO.</p> <p>SOURCE DRAWING NO.</p> <p>GRID LOCATION OF CONNECTION ON DESTINATION DRAWING</p> <p>GRID LOCATION OF CONNECTION ON SOURCE DRAWING</p>	ABP ASH BYPRODUCT	FG FLUE GAS	OFA OVERFIRE AIR	ARS ABSORBER RECYCLE SLURRY	FD FORCED DRAFT AIR	PAC POWDERED ACTIVATED CARBON	NH3 AMMONIA	FW FEEDWATER	PSH PRIMARY SUPERHEATER	AA ATOMIZING AIR	GS GYPSUM (DRY)	PSS PROCESS SLUMP SLURRY	BA BARRIER AIR	GSS GYPSUM SLURRY	PW PROCESS WATER	COMP COMPRESSED AIR	HSH HIGH TEMPERATURE SUPERHEATER	QW QUENCH WATER	CD CONDENSATE	HF HYDRAULIC FLUID	RW RECLAIM WATER	CA COOLING AIR	HL HYDRATED LIME	SLA SEAL AIR	CW COOLING WATER	IA INSTRUMENT AIR	SA SERVICE WATER	DA DILUTION AIR	LS LIMESTONE	SW SERVICE WATER	DI DISTRIBUTOR AIR	LSY LIMESTONE SLURRY	SPW SPRAY WATER	DWC DOWNCOMERS	LUB LUBRICATING OIL	TA TRANSPORT AIR	EC ECONOMIZER	MSD MAIN STEAM DRUM	VT VENT	FLT FILTRATE	OA OXIDATION AIR	WW WASTE WATER	CS150 CARBON STEEL, CLASS 150	FRP051 FIBERGLASS REINFORCED PLASTIC 50 PSI RATING WITH CORROSION/ABRASION LINER	CS153 CARBON STEEL, CLASS 150, SPIRALWELD, 10" AND OVER	FRP076 FIBERGLASS REINFORCED PLASTIC 75 PSI RATING WITH CORROSION/ABRASION LINER	CS154 CARBON STEEL, CLASS 150, LOW PRESSURE BLOWER	FRP101 FIBERGLASS REINFORCED PLASTIC 100 PSI RATING WITH CORROSION/ABRASION LINER	FRP051 FIBERGLASS REINFORCED PLASTIC 50 PSI RATING WITH CORROSION/ABRASION LINER	FRP103 FIBERGLASS REINFORCED PLASTIC 100 PSI RATING WITH CERAMIC LINER	FRP076 FIBERGLASS REINFORCED PLASTIC 75 PSI RATING WITH CORROSION/ABRASION LINER	FRP150 FIBERGLASS REINFORCED PLASTIC 150 PSI RATING WITH CORROSION LINER	FRP101 FIBERGLASS REINFORCED PLASTIC 100 PSI RATING WITH CORROSION/ABRASION LINER	FRP151 FIBERGLASS REINFORCED PLASTIC 150 PSI RATING WITH CORROSION/ABRASION LINER	FRP103 FIBERGLASS REINFORCED PLASTIC 100 PSI RATING WITH CERAMIC LINER	SS140 STAINLESS STEEL, CLASS 150, TYPE 304/304L, 2 1/2" AND OVER SCHEDULE 10S	FRP150 FIBERGLASS REINFORCED PLASTIC 150 PSI RATING WITH CORROSION LINER	SS141 STAINLESS STEEL, CLASS 150, TYPE 304/304L, SCHEDULE STANDARD ALL SIZES	FRP151 FIBERGLASS REINFORCED PLASTIC 150 PSI RATING WITH CORROSION/ABRASION LINER	SS170 HASTELLOY CLASS 150, TYPE C-276	SS140 STAINLESS STEEL, CLASS 150, TYPE 304/304L, 2 1/2" AND OVER SCHEDULE 10S	SS190 FERRITIC-AUSTENITIC (DUPLIX) STAINLESS STEEL ALLOY 2205, CLASS 150	<p>INSTRUMENT TYPE LOOP NO.</p> <p>PI 5010</p> <p>INSTRUMENT TYPES</p> <p>REFER TO ISA STANDARD S5.1 (BELOW).</p> <p>EQUIPMENT DESIGNATION LEGEND</p> <p>1AOC-TNK-2020</p> <p>EQUIPMENT TYPES</p> <table border="0"> <tr> <td>ABS ABSORBER</td> <td>ME MIST ELIMINATOR</td> </tr> <tr> <td>AS AIR SLIDE</td> <td>ML BALL MILL</td> </tr> <tr> <td>AGI AGITATOR</td> <td>MTR MOTOR</td> </tr> <tr> <td>BLW BLOWER</td> <td>NZL NOZZLE</td> </tr> <tr> <td>CLS CLASSIFIER</td> <td>PWF PULSE JET FABRIC FILTER</td> </tr> <tr> <td>CMP COMPRESSOR</td> <td>PMP PUMP</td> </tr> <tr> <td>DMP DAMPER</td> <td>RCK RACK</td> </tr> <tr> <td>DOS DOSAGE ROLLER</td> <td>SILN SILENCER</td> </tr> <tr> <td>EDU EDUCATOR</td> <td>SIL SILO</td> </tr> <tr> <td>EXJ EXPANSION JOINT</td> <td>SKD SKID</td> </tr> <tr> <td>FAN FAN</td> <td>SH SONIC HORN</td> </tr> <tr> <td>FDR FEEDER</td> <td>SB SOOTBLOWER</td> </tr> <tr> <td>FLT FILTER</td> <td>STC STEAM COIL</td> </tr> <tr> <td>GR GEAR REDUCER</td> <td>STR STRAINER</td> </tr> <tr> <td>HX HEAT EXCHANGER</td> <td>TNK TANK</td> </tr> <tr> <td>HTR HEATER</td> <td>VEB VACUUM BELT FILTER</td> </tr> <tr> <td>HST HOIST</td> <td>VIB VIBRATOR</td> </tr> <tr> <td>JBX JUNCTION BOX</td> <td></td> </tr> </table>	ABS ABSORBER	ME MIST ELIMINATOR	AS AIR SLIDE	ML BALL MILL	AGI AGITATOR	MTR MOTOR	BLW BLOWER	NZL NOZZLE	CLS CLASSIFIER	PWF PULSE JET FABRIC FILTER	CMP COMPRESSOR	PMP PUMP	DMP DAMPER	RCK RACK	DOS DOSAGE ROLLER	SILN SILENCER	EDU EDUCATOR	SIL SILO	EXJ EXPANSION JOINT	SKD SKID	FAN FAN	SH SONIC HORN	FDR FEEDER	SB SOOTBLOWER	FLT FILTER	STC STEAM COIL	GR GEAR REDUCER	STR STRAINER	HX HEAT EXCHANGER	TNK TANK	HTR HEATER	VEB VACUUM BELT FILTER	HST HOIST	VIB VIBRATOR	JBX JUNCTION BOX	
ABP ASH BYPRODUCT	FG FLUE GAS	OFA OVERFIRE AIR																																																																																																	
ARS ABSORBER RECYCLE SLURRY	FD FORCED DRAFT AIR	PAC POWDERED ACTIVATED CARBON																																																																																																	
NH3 AMMONIA	FW FEEDWATER	PSH PRIMARY SUPERHEATER																																																																																																	
AA ATOMIZING AIR	GS GYPSUM (DRY)	PSS PROCESS SLUMP SLURRY																																																																																																	
BA BARRIER AIR	GSS GYPSUM SLURRY	PW PROCESS WATER																																																																																																	
COMP COMPRESSED AIR	HSH HIGH TEMPERATURE SUPERHEATER	QW QUENCH WATER																																																																																																	
CD CONDENSATE	HF HYDRAULIC FLUID	RW RECLAIM WATER																																																																																																	
CA COOLING AIR	HL HYDRATED LIME	SLA SEAL AIR																																																																																																	
CW COOLING WATER	IA INSTRUMENT AIR	SA SERVICE WATER																																																																																																	
DA DILUTION AIR	LS LIMESTONE	SW SERVICE WATER																																																																																																	
DI DISTRIBUTOR AIR	LSY LIMESTONE SLURRY	SPW SPRAY WATER																																																																																																	
DWC DOWNCOMERS	LUB LUBRICATING OIL	TA TRANSPORT AIR																																																																																																	
EC ECONOMIZER	MSD MAIN STEAM DRUM	VT VENT																																																																																																	
FLT FILTRATE	OA OXIDATION AIR	WW WASTE WATER																																																																																																	
CS150 CARBON STEEL, CLASS 150	FRP051 FIBERGLASS REINFORCED PLASTIC 50 PSI RATING WITH CORROSION/ABRASION LINER																																																																																																		
CS153 CARBON STEEL, CLASS 150, SPIRALWELD, 10" AND OVER	FRP076 FIBERGLASS REINFORCED PLASTIC 75 PSI RATING WITH CORROSION/ABRASION LINER																																																																																																		
CS154 CARBON STEEL, CLASS 150, LOW PRESSURE BLOWER	FRP101 FIBERGLASS REINFORCED PLASTIC 100 PSI RATING WITH CORROSION/ABRASION LINER																																																																																																		
FRP051 FIBERGLASS REINFORCED PLASTIC 50 PSI RATING WITH CORROSION/ABRASION LINER	FRP103 FIBERGLASS REINFORCED PLASTIC 100 PSI RATING WITH CERAMIC LINER																																																																																																		
FRP076 FIBERGLASS REINFORCED PLASTIC 75 PSI RATING WITH CORROSION/ABRASION LINER	FRP150 FIBERGLASS REINFORCED PLASTIC 150 PSI RATING WITH CORROSION LINER																																																																																																		
FRP101 FIBERGLASS REINFORCED PLASTIC 100 PSI RATING WITH CORROSION/ABRASION LINER	FRP151 FIBERGLASS REINFORCED PLASTIC 150 PSI RATING WITH CORROSION/ABRASION LINER																																																																																																		
FRP103 FIBERGLASS REINFORCED PLASTIC 100 PSI RATING WITH CERAMIC LINER	SS140 STAINLESS STEEL, CLASS 150, TYPE 304/304L, 2 1/2" AND OVER SCHEDULE 10S																																																																																																		
FRP150 FIBERGLASS REINFORCED PLASTIC 150 PSI RATING WITH CORROSION LINER	SS141 STAINLESS STEEL, CLASS 150, TYPE 304/304L, SCHEDULE STANDARD ALL SIZES																																																																																																		
FRP151 FIBERGLASS REINFORCED PLASTIC 150 PSI RATING WITH CORROSION/ABRASION LINER	SS170 HASTELLOY CLASS 150, TYPE C-276																																																																																																		
SS140 STAINLESS STEEL, CLASS 150, TYPE 304/304L, 2 1/2" AND OVER SCHEDULE 10S	SS190 FERRITIC-AUSTENITIC (DUPLIX) STAINLESS STEEL ALLOY 2205, CLASS 150																																																																																																		
ABS ABSORBER	ME MIST ELIMINATOR																																																																																																		
AS AIR SLIDE	ML BALL MILL																																																																																																		
AGI AGITATOR	MTR MOTOR																																																																																																		
BLW BLOWER	NZL NOZZLE																																																																																																		
CLS CLASSIFIER	PWF PULSE JET FABRIC FILTER																																																																																																		
CMP COMPRESSOR	PMP PUMP																																																																																																		
DMP DAMPER	RCK RACK																																																																																																		
DOS DOSAGE ROLLER	SILN SILENCER																																																																																																		
EDU EDUCATOR	SIL SILO																																																																																																		
EXJ EXPANSION JOINT	SKD SKID																																																																																																		
FAN FAN	SH SONIC HORN																																																																																																		
FDR FEEDER	SB SOOTBLOWER																																																																																																		
FLT FILTER	STC STEAM COIL																																																																																																		
GR GEAR REDUCER	STR STRAINER																																																																																																		
HX HEAT EXCHANGER	TNK TANK																																																																																																		
HTR HEATER	VEB VACUUM BELT FILTER																																																																																																		
HST HOIST	VIB VIBRATOR																																																																																																		
JBX JUNCTION BOX																																																																																																			

HAND VALVE DESIGNATION LEGEND

1AOC-HV-2025

UNIT NO. (OPT.)  
SYSTEM CODE  
VALVE TYPE  
DRAWING NO.  
SEQUENTIAL NO.

HAND VALVE TYPES

FSV FLOW SAFETY VALVE
HV HAND VALVE
PCV PRESSURE CONTROL VALVE
PRV PRESSURE REDUCING VALVE
PSV PRESSURE SAFETY VALVE

CONTROL VALVE DESIGNATION LEGEND

1AOC-CV-4010

CONTROL VALVE TYPE  
CONTROL VALVE NO.

UNIT NO. (OPT.)  
SYSTEM CODE  
CONTROL VALVE TYPE  
DRAWING NO.  
SEQUENTIAL NO.

CONTROL VALVE TYPES

CV CONTROL VALVE
SV SOLENOID VALVE
PCV PRESSURE CONTROL VALVE (SELF-CONTAINED)
FCV FLOW CONTROL VALVE (SELF-CONTAINED)
TV TEMPERATURE CONTROL VALVE
FV FLOW CONTROL VALVE
PV PRESSURE CONTROL VALVE

FAILURE MODE

FC FAIL CLOSED
FF FAIL IN PLACE
FO FAIL OPEN
LO LOCK OPEN
LC LOCK CLOSED

INSTRUMENT IDENTIFICATION (ISA STANDARD S5.1)

FIRST LETTER	SUCCEEDING LETTERS			
	MEASURED OR INITIATING VARIABLE	MODIFIER	READOUT OR PASSIVE FUNCTION	OUTPUT FUNCTION
A	ANALYSIS		ALARM	
B	BURNER, COMBUSTION		USER'S CHOICE	USER'S CHOICE
C	USER'S CHOICE			CONTROL
D	DENSITY	DIFFERENTIAL		
E	VOLTAGE		SENSOR (PRIMARY ELEMENT)	
F	FLOW RATE	RATIO (FRACTION)		
G	GROUND FAULT		GLASS VIEWING DEVICE	
H	HAND			HIGH
I	CURRENT		INDICATE	
J	POWER	SCAN		
K	TIME, TIME SCHEDULE	TIME RATE OF CHANGE		CONTROL STATION
L	LEVEL		LIGHT	LOW
M	USER'S CHOICE	MOMENTARY		MIDDLE, INTERMEDIATE
N	USER'S CHOICE		USER'S CHOICE	USER'S CHOICE
O	USER'S CHOICE		ORIFICE, RESTRICTION	OPEN
P	PRESSURE, VACUUM		POINT (TEST) CONNECTION	
Q	QUANTITY	INTEGRATE, TOTALIZE		
R	RADIATION		RECORD	
S	SPEED, FREQUENCY	SAFETY		SWITCH
T	TEMPERATURE			TRANSMIT
U	MULTIVARIABLE		MULTIFUNCTION	MULTIFUNCTION
V	VIBRATION, MECH. ANALYSIS			VALVE, DAMPER, LOUVER
W	WEIGHT, FORCE		WELL	
X	UNCLASSIFIED	X-AXIS	UNCLASSIFIED	UNCLASSIFIED
Y	EVENT, STATE OR PRESENCE	Y-AXIS		RELAY, COMPUTE, CONVERT
Z	POSITION, DIMENSION	Z-AXIS		DRIVER, ACTUATOR UNCLASSIFIED FINAL CONTROL ELEMENT

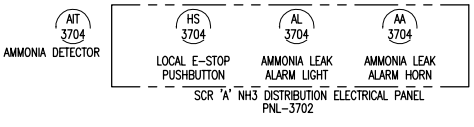
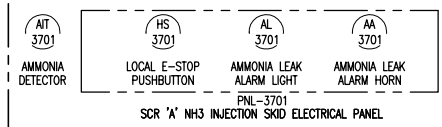
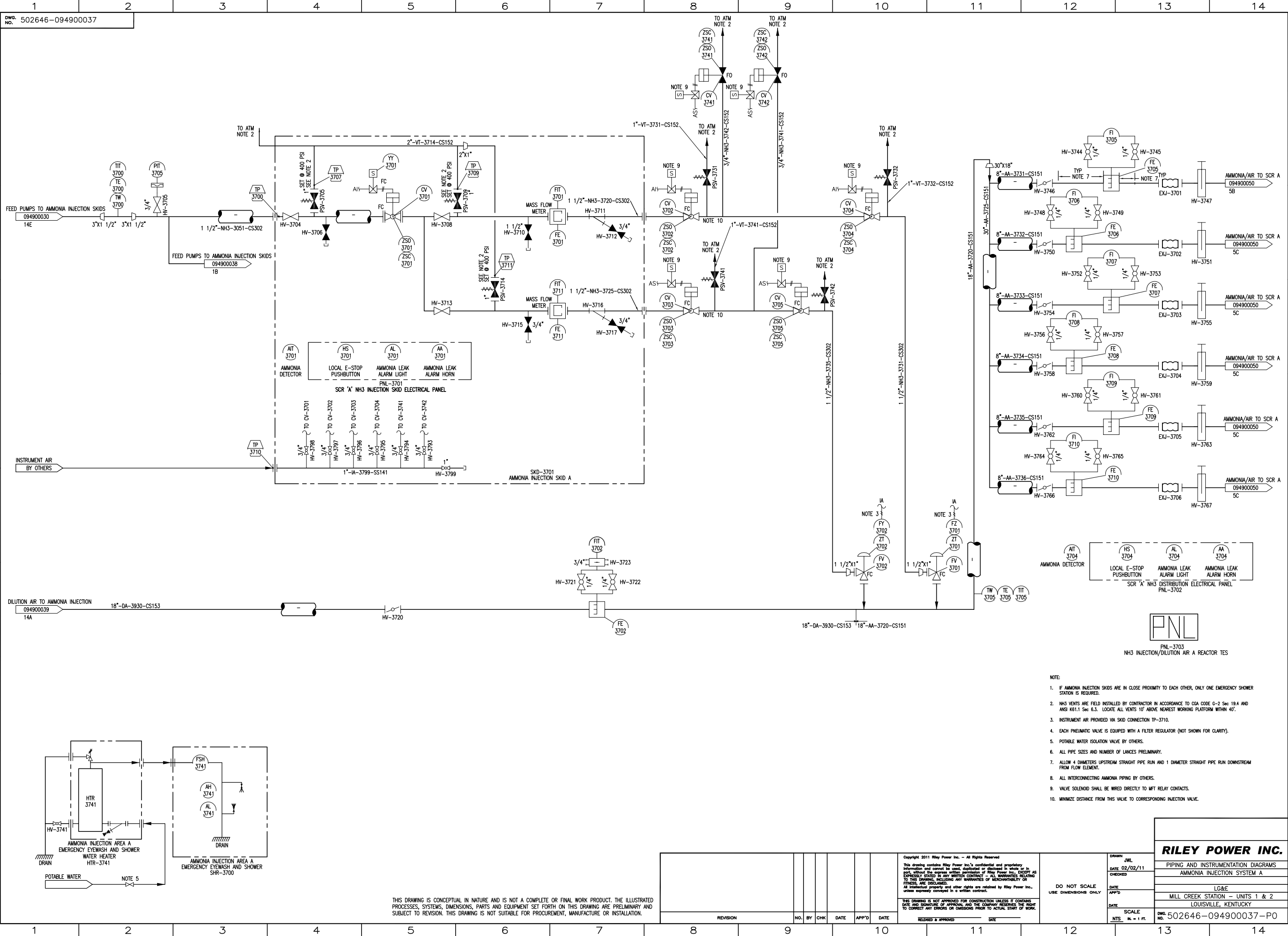
- NOTES:
- NORMALLY CLOSED VALVES ARE VALVES THAT REMAIN CLOSED DURING "NORMAL" DAY TO DAY OPERATION OF THE FACILITY. VALVES SHOWN OPEN WILL BE OPENED OR CLOSED DEPENDING ON THE OPERATING MODE DESIRED.
  - ITEMS MARKED USER'S CHOICE ARE LABELED ON THE DRAWING.
  - MAY BE SUPERSEDED BY PLANT CONVENTION.

RILEY POWER INC.

DRAWN: JWL	DATE: 02/02/11	CHECKED:
DATE: APP'D:	DATE:	SCALE: NTS: 1/4" = 1 FT.
DO NOT SCALE USE DIMENSIONS ONLY		
PIPING AND INSTRUMENTATION DIAGRAM LEGEND LG&E MILL CREEK STATION - UNITS 1 & 2 LOUISVILLE, KENTUCKY		

Copyright 2011 Riley Power Inc. - All Rights Reserved  
 This drawing contains Riley Power Inc.'s confidential and proprietary information and cannot be used, duplicated or disclosed in whole or in part, without the express written permission of Riley Power Inc. EXCEPT AS EXPRESSLY STATED IN ANY WRITTEN CONTRACT. ALL WARRANTIES RELATING TO THIS DRAWING, INCLUDING ANY WARRANTIES OF MERCHANTABILITY OR FITNESS, ARE DISCLAIMED.  
 All intellectual property and other rights are retained by Riley Power Inc., unless expressly conveyed in a written contract.  
 THIS DRAWING IS NOT APPROVED FOR CONSTRUCTION UNLESS IT CONTAINS DATE AND SIGNATURE OF APPROVAL, AND THE COMPANY RESERVES THE RIGHT TO CORRECT ANY ERRORS OR OMISSIONS PRIOR TO ACTUAL START OF WORK.

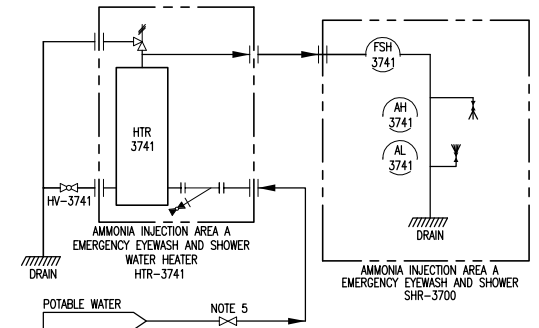
REVISION	NO.	BY	CHK	DATE	APP'D	DATE



**PNL**

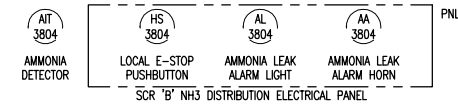
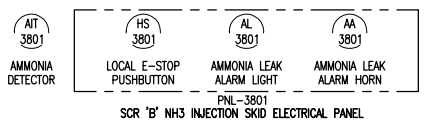
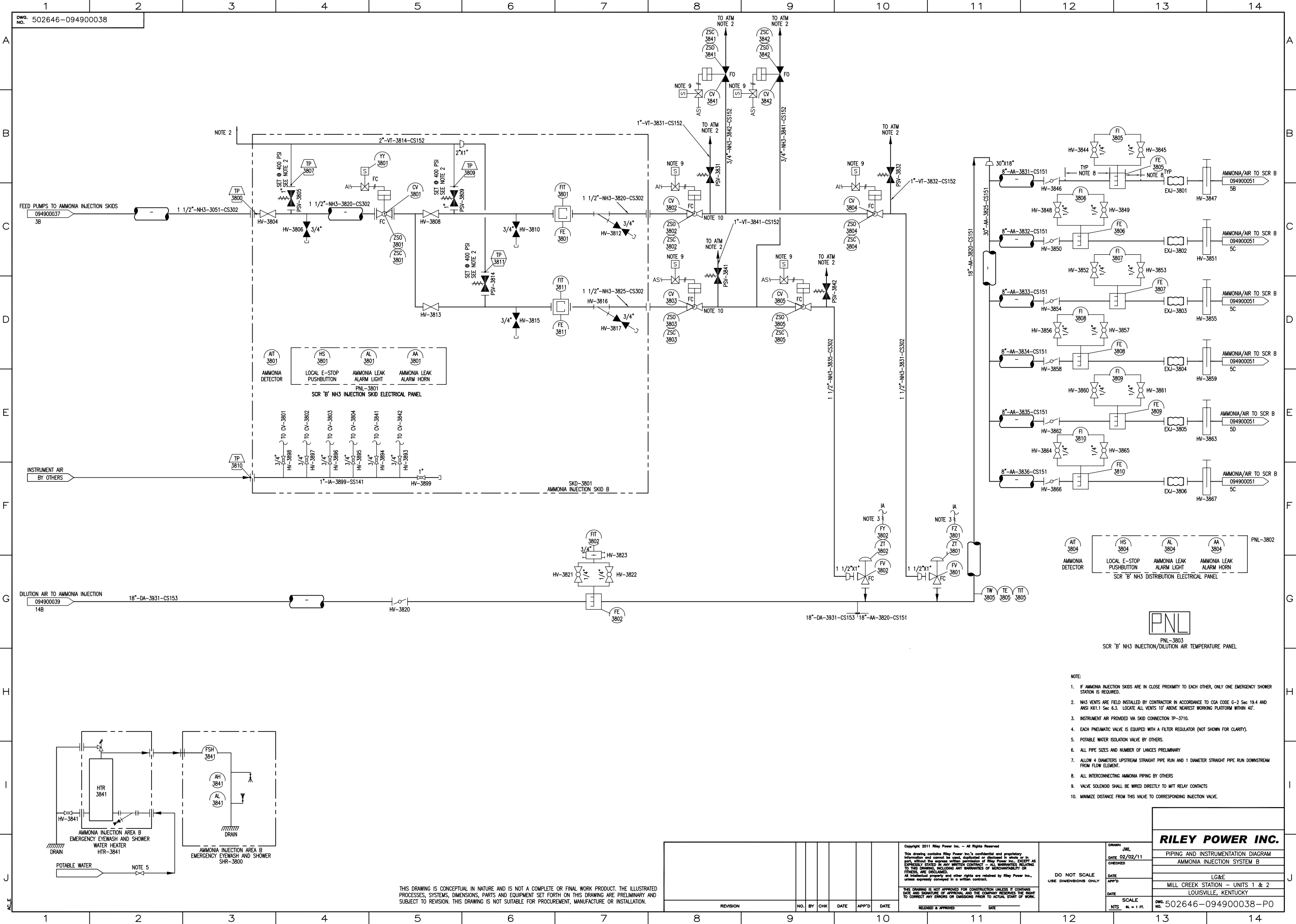
PNL-3703  
NH3 INJECTION/DILUTION AIR A REACTOR TES

- NOTE:
- IF AMMONIA INJECTION SKIDS ARE IN CLOSE PROXIMITY TO EACH OTHER, ONLY ONE EMERGENCY SHOWER STATION IS REQUIRED.
  - NH3 VENTS ARE FIELD INSTALLED BY CONTRACTOR IN ACCORDANCE TO CGA CODE G-2 Sec 19.4 AND ANSI K61.1 Sec 6.3. LOCATE ALL VENTS 10' ABOVE NEAREST WORKING PLATFORM WITHIN 40'.
  - INSTRUMENT AIR PROVIDED VIA SKID CONNECTION TP-3710.
  - EACH PNEUMATIC VALVE IS EQUIPPED WITH A FILTER REGULATOR (NOT SHOWN FOR CLARITY).
  - POTABLE WATER ISOLATION VALVE BY OTHERS.
  - ALL PIPE SIZES AND NUMBER OF LANCES PRELIMINARY.
  - ALLOW 4 DIAMETERS UPSTREAM STRAIGHT PIPE RUN AND 1 DIAMETER STRAIGHT PIPE RUN DOWNSTREAM FROM FLOW ELEMENT.
  - ALL INTERCONNECTING AMMONIA PIPING BY OTHERS.
  - VALVE SOLENOID SHALL BE WIRED DIRECTLY TO MFT RELAY CONTACTS.
  - MINIMIZE DISTANCE FROM THIS VALVE TO CORRESPONDING INJECTION VALVE.

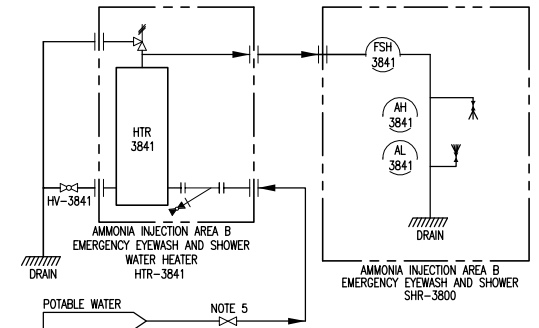


THIS DRAWING IS CONCEPTUAL IN NATURE AND IS NOT A COMPLETE OR FINAL WORK PRODUCT. THE ILLUSTRATED PROCESSES, SYSTEMS, DIMENSIONS, PARTS AND EQUIPMENT SET FORTH ON THIS DRAWING ARE PRELIMINARY AND SUBJECT TO REVISION. THIS DRAWING IS NOT SUITABLE FOR PROCUREMENT, MANUFACTURE OR INSTALLATION.

Copyright 2011 Riley Power Inc. - All Rights Reserved This drawing contains Riley Power Inc.'s confidential and proprietary information and cannot be used, duplicated or disclosed in whole or in part, without the express written permission of Riley Power Inc. EXCEPT AS EXPRESSLY STATED IN ANY WRITTEN CONTRACT. ALL WARRANTIES RELATING TO THIS DRAWING, INCLUDING ANY WARRANTIES OF MERCHANTABILITY OR FITNESS, ARE DISCLAIMED. All intellectual property and other rights are retained by Riley Power Inc., unless expressly conveyed in a written contract.						DRAWN: JWL DATE: 02/02/11 CHECKED: DATE: APP'D: DATE:		DO NOT SCALE USE DIMENSIONS ONLY		<b>RILEY POWER INC.</b> PIPING AND INSTRUMENTATION DIAGRAMS AMMONIA INJECTION SYSTEM A LG&E MILL CREEK STATION - UNITS 1 & 2 LOUISVILLE, KENTUCKY	
THIS DRAWING IS NOT APPROVED FOR CONSTRUCTION UNLESS IT CONTAINS DATE AND SIGNATURE OF APPROVAL AND THE COMPANY RESERVES THE RIGHT TO CORRECT ANY ERRORS OR OMISSIONS PRIOR TO ACTUAL START OF WORK.						SCALE: NTS, 1/4" = 1 FT. DWG. NO.: 502646-094900037-PO		REVISION: NO., BY, CHK, DATE, APP'D, DATE		RELEASED & APPROVED: DATE	



- NOTE:
1. IF AMMONIA INJECTION SKIDS ARE IN CLOSE PROXIMITY TO EACH OTHER, ONLY ONE EMERGENCY SHOWER STATION IS REQUIRED.
  2. NH3 VENTS ARE FIELD INSTALLED BY CONTRACTOR IN ACCORDANCE TO CGA CODE G-2 Sec 19.4 AND ANSI K81.1 Sec 6.3. LOCATE ALL VENTS 10' ABOVE NEAREST WORKING PLATFORM WITHIN 40'.
  3. INSTRUMENT AIR PROVIDED VIA SKID CONNECTION TP-3710.
  4. EACH PNEUMATIC VALVE IS EQUIPPED WITH A FILTER REGULATOR (NOT SHOWN FOR CLARITY).
  5. POTABLE WATER ISOLATION VALVE BY OTHERS.
  6. ALL PIPE SIZES AND NUMBER OF LANCES PRELIMINARY.
  7. ALLOW 4" DIAMETERS UPSTREAM STRAIGHT PIPE RUN AND 1" DIAMETER STRAIGHT PIPE RUN DOWNSTREAM FROM FLOW ELEMENT.
  8. ALL INTERCONNECTING AMMONIA PIPING BY OTHERS.
  9. VALVE SOLENOID SHALL BE WIRED DIRECTLY TO MFT RELAY CONTACTS.
  10. MINIMIZE DISTANCE FROM THIS VALVE TO CORRESPONDING INJECTION VALVE.



THIS DRAWING IS CONCEPTUAL IN NATURE AND IS NOT A COMPLETE OR FINAL WORK PRODUCT. THE ILLUSTRATED PROCESSES, SYSTEMS, DIMENSIONS, PARTS AND EQUIPMENT SET FORTH ON THIS DRAWING ARE PRELIMINARY AND SUBJECT TO REVISION. THIS DRAWING IS NOT SUITABLE FOR PROCUREMENT, MANUFACTURE OR INSTALLATION.

REVISION	NO.	BY	CHK	DATE	APP'D	DATE

Copyright 2011 Riley Power Inc. - All Rights Reserved  
 This drawing contains Riley Power Inc.'s confidential and proprietary information and cannot be used, duplicated or disclosed in whole or in part, without the express written permission of Riley Power Inc. EXCEPT AS EXPRESSLY STATED IN ANY WRITTEN CONTRACT - ALL WARRANTIES RELATING TO THIS DRAWING, INCLUDING ANY WARRANTIES OF MERCHANTABILITY OR FITNESS, ARE DISCLAIMED.  
 All Intellectual property and other rights are retained by Riley Power Inc., unless expressly conveyed in a written contract.  
 THIS DRAWING IS NOT APPROVED FOR CONSTRUCTION UNLESS IT CONTAINS DATE AND SIGNATURE OF APPROVAL AND THE COMPANY RESERVES THE RIGHT TO CORRECT ANY ERRORS OR OMISSIONS PRIOR TO ACTUAL START OF WORK.

DO NOT SCALE  
 USE DIMENSIONS ONLY

DRAWN: JWL  
 DATE: 02/02/11  
 CHECKED: [Signature]  
 DATE: [Signature]  
 APP'D: [Signature]  
 DATE: [Signature]

SCALE: NTS, 1/4" = 1 FT.

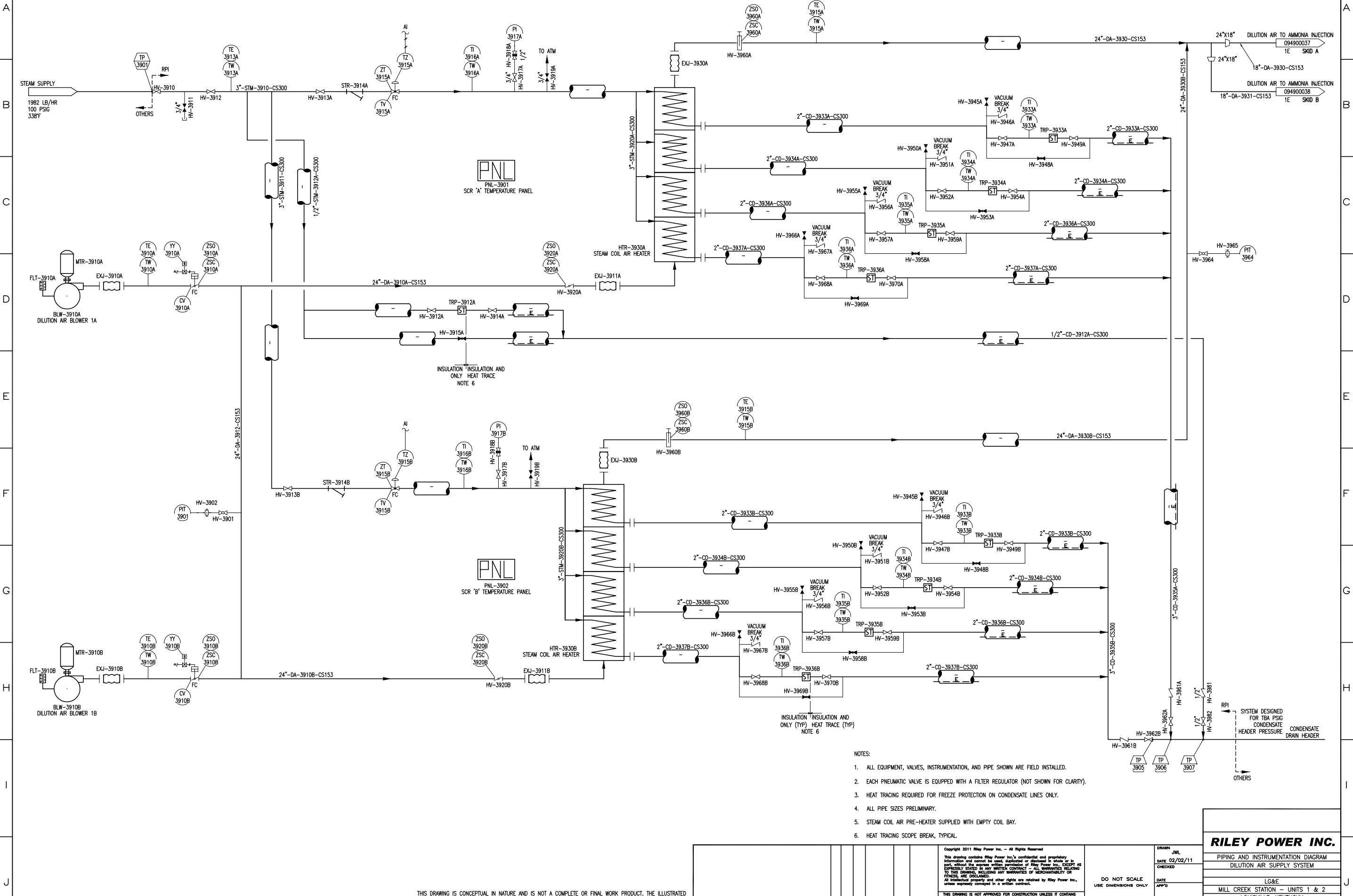
**RILEY POWER INC.**

PIPING AND INSTRUMENTATION DIAGRAM  
 AMMONIA INJECTION SYSTEM B

LG&E  
 MILL CREEK STATION - UNITS 1 & 2  
 LOUISVILLE, KENTUCKY

DWG. NO. 502646-094900038-PO





PNL  
SCR 'A' TEMPERATURE PANEL

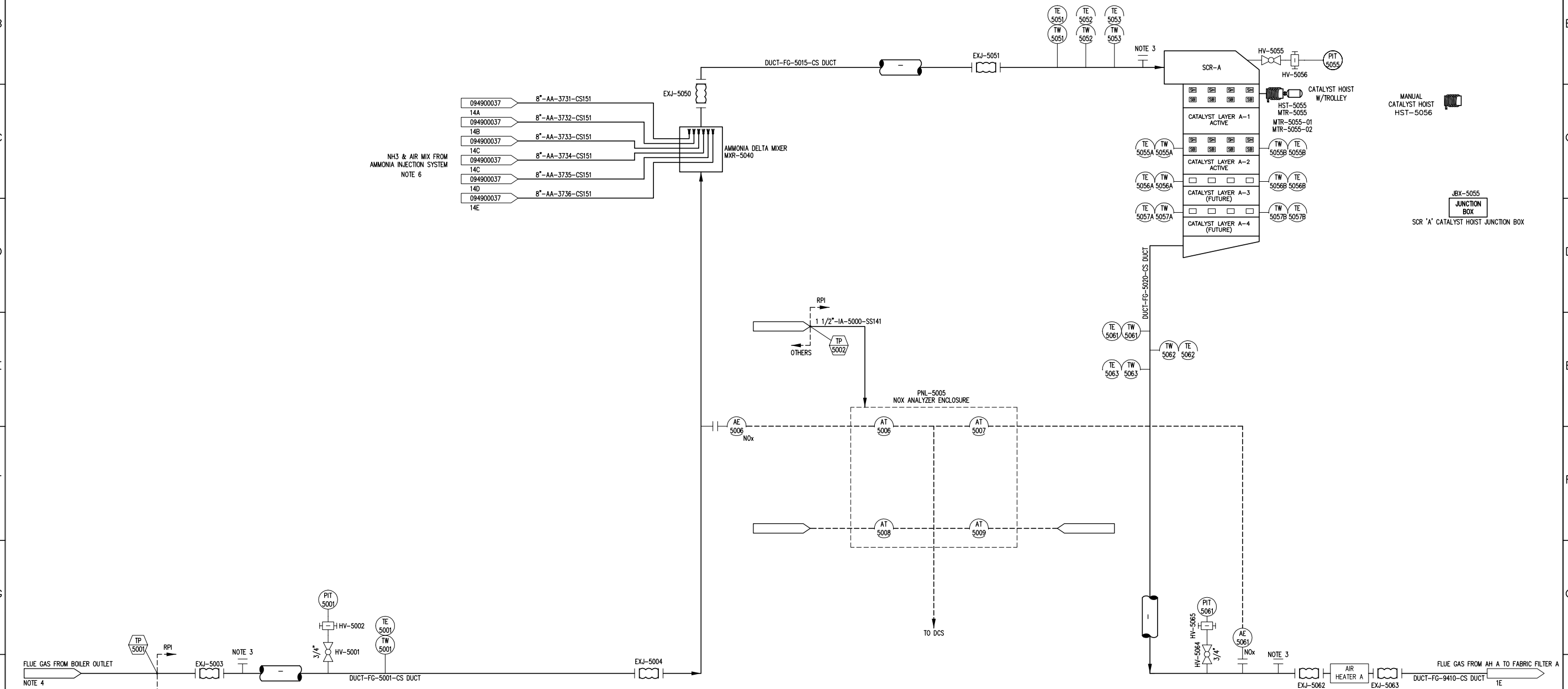
PNL  
SCR 'B' TEMPERATURE PANEL

THIS DRAWING IS CONCEPTUAL IN NATURE AND IS NOT A COMPLETE OR FINAL WORK PRODUCT. THE ILLUSTRATED PROCESSES, SYSTEMS, DIMENSIONS, PARTS AND EQUIPMENT SET FORTH ON THIS DRAWING ARE PRELIMINARY AND SUBJECT TO REVISION. THIS DRAWING IS NOT SUITABLE FOR PROCUREMENT, MANUFACTURE OR INSTALLATION.

- NOTES:
1. ALL EQUIPMENT, VALVES, INSTRUMENTATION, AND PIPE SHOWN ARE FIELD INSTALLED.
  2. EACH PNEUMATIC VALVE IS EQUIPPED WITH A FILTER REGULATOR (NOT SHOWN FOR CLARITY).
  3. HEAT TRACING REQUIRED FOR FREEZE PROTECTION ON CONDENSATE LINES ONLY.
  4. ALL PIPE SIZES PRELIMINARY.
  5. STEAM COIL AIR PRE-HEATER SUPPLIED WITH EMPTY COIL BAY.
  6. HEAT TRACING SCOPE BREAK, TYPICAL.

REVISION				NO. BY CHK DATE APP'D DATE		Copyright 2011 Riley Power Inc. - All Rights Reserved This drawing contains Riley Power Inc.'s confidential and proprietary information and cannot be used, duplicated or disclosed in whole or in part, without the express written permission of Riley Power Inc. EXCEPT AS EXPRESSLY STATED IN ANY WRITTEN CONTRACT TO THIS DRAWING, INCLUDING ANY WARRANTIES OF MERCHANTABILITY OR FITNESS, ARE DISCLAIMED. All intellectual property and other rights are retained by Riley Power Inc., unless expressly conveyed in a written contract. THIS DRAWING IS NOT APPROVED FOR CONSTRUCTION UNLESS IT CONTAINS DATE AND SIGNATURE OF APPROVAL, AND THE COMPANY RESERVES THE RIGHT TO CORRECT ANY ERRORS OR OMISSIONS PRIOR TO ACTUAL START OF WORK.		DRAWN: JWL DATE: 02/02/11 CHECKED: DATE: APP'D: DATE:		<b>RILEY POWER INC.</b> PIPING AND INSTRUMENTATION DIAGRAM DILUTION AIR SUPPLY SYSTEM LG&E MILL CREEK STATION - UNITS 1 & 2 LOUISVILLE, KENTUCKY	
DO NOT SCALE USE DIMENSIONS ONLY						SCALE: NTS. 1/4" = 1 FT. DWG. NO. 502646-094900039-PO					

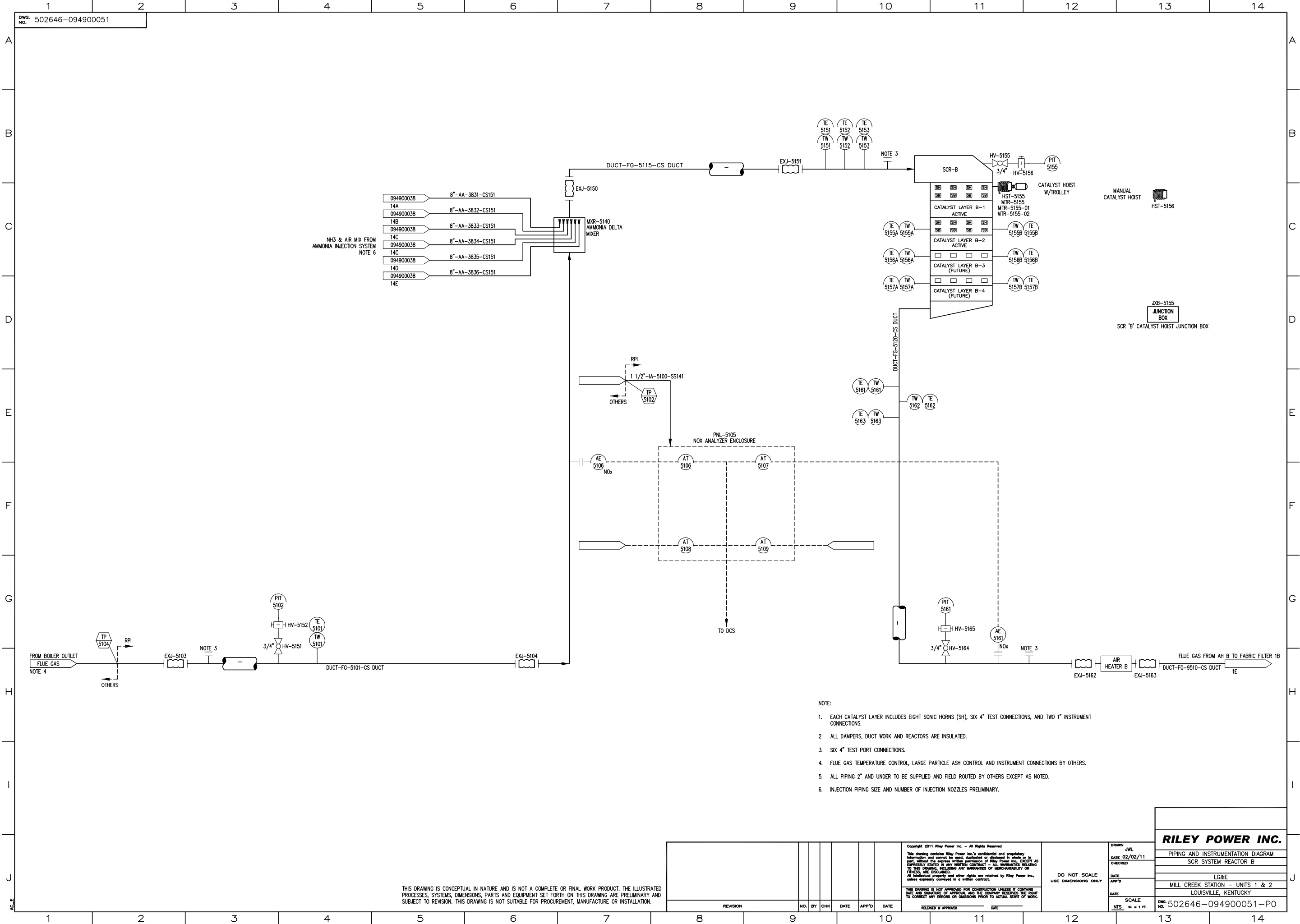
DWG NO. 502646-094900050



- NOTE:
1. EACH CATALYST LAYER INCLUDES EIGHT SONIC HORNS (SH), SIX 4" TEST CONNECTIONS, AND TWO 1" INSTRUMENT CONNECTIONS.
  2. ALL DAMPERS, DUCT WORK AND REACTORS ARE INSULATED.
  3. SIX 4" TEST PORT CONNECTIONS.
  4. FLUE GAS TEMPERATURE CONTROL, LARGE PARTICLE ASH CONTROL AND INSTRUMENT CONNECTIONS BY OTHERS.
  5. ALL PIPING 2" AND UNDER TO BE SUPPLIED AND FIELD ROUTED BY OTHERS EXCEPT AS NOTED.
  6. PORT SIZES AND LOCATION TO BE SUPPLIED BY OTHERS.
  7. INJECTION PIPING SIZE AND NUMBER OF INJECTION NOZZLES PRELIMINARY.

THIS DRAWING IS CONCEPTUAL IN NATURE AND IS NOT A COMPLETE OR FINAL WORK PRODUCT. THE ILLUSTRATED PROCESSES, SYSTEMS, DIMENSIONS, PARTS AND EQUIPMENT SET FORTH ON THIS DRAWING ARE PRELIMINARY AND SUBJECT TO REVISION. THIS DRAWING IS NOT SUITABLE FOR PROCUREMENT, MANUFACTURE OR INSTALLATION.

Copyright 2011 Riley Power Inc. - All Rights Reserved This drawing contains Riley Power Inc.'s confidential and proprietary information and cannot be used, duplicated or disclosed in whole or in part, without the express written permission of Riley Power Inc. EXCEPT AS EXPRESSLY STATED IN ANY WRITTEN CONTRACT - ALL WARRANTIES RELATING TO THIS DRAWING, INCLUDING ANY WARRANTIES OF MERCHANTABILITY OR FITNESS, ARE DISCLAIMED. All intellectual property and other rights are retained by Riley Power Inc., unless expressly conveyed in a written contract.						DO NOT SCALE USE DIMENSIONS ONLY		DRAWN: JWL DATE: 02/02/11 CHECKED: DATE: APP'D: DATE: SCALE: NTS: IN - 1 FT.		<b>RILEY POWER INC.</b> PIPING AND INSTRUMENTATION DIAGRAM SCR SYSTEM REACTOR A LG&E MILL CREEK STATION - UNITS 1 & 2 LOUISVILLE, KENTUCKY DWG. NO. 502646-094900050-PO		
REVISION	NO.	BY	CHK	DATE	APP'D	DATE						



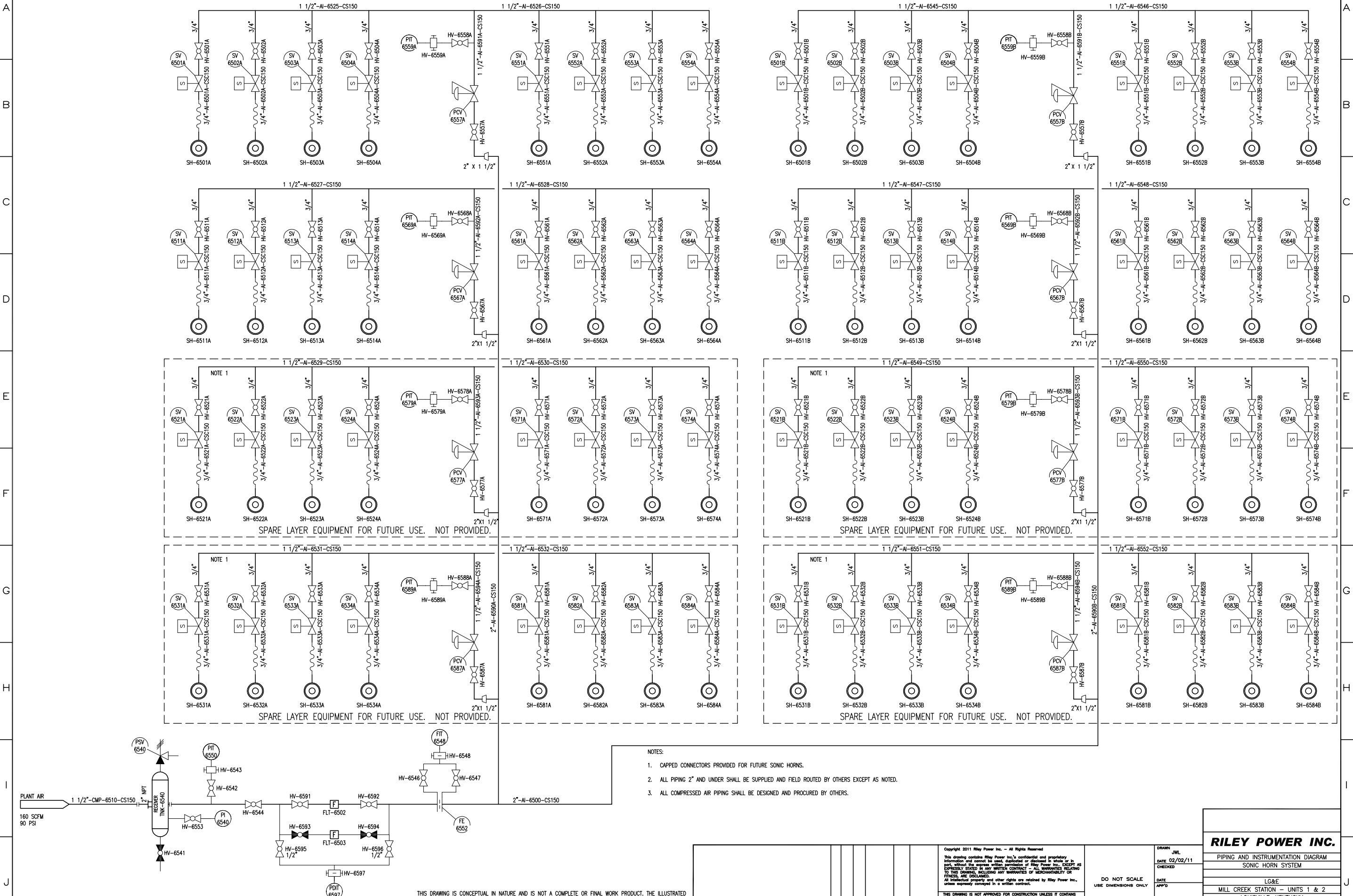
- NOTE:
1. EACH CATALYST LAYER INCLUDES EIGHT SONIC HORNS (SH), SIX 4" TEST CONNECTIONS, AND TWO 1" INSTRUMENT CONNECTIONS.
  2. ALL DAMPERS, DUCT WORK AND REACTORS ARE INSULATED.
  3. SIX 4" TEST PORT CONNECTIONS.
  4. FLUE GAS TEMPERATURE CONTROL, LARGE PARTICLE ASH CONTROL AND INSTRUMENT CONNECTIONS BY OTHERS.
  5. ALL PIPING 2" AND UNDER TO BE SUPPLIED AND FIELD ROUTED BY OTHERS EXCEPT AS NOTED.
  6. INJECTION PIPING SIZE AND NUMBER OF INJECTION NOZZLES PRELIMINARY.

THIS DRAWING IS CONCEPTUAL IN NATURE AND IS NOT A COMPLETE OR FINAL WORK PRODUCT. THE ILLUSTRATED PROCESSES, SYSTEMS, DIMENSIONS, PARTS AND EQUIPMENT SET FORTH ON THIS DRAWING ARE PRELIMINARY AND SUBJECT TO REVISION. THIS DRAWING IS NOT SUITABLE FOR PROCUREMENT, MANUFACTURE OR INSTALLATION.

Copyright 2011 Riley Power Inc. - All Rights Reserved This drawing contains Riley Power Inc.'s confidential and proprietary information and cannot be used, duplicated or disclosed in whole or in part, without the express written permission of Riley Power Inc. EXCEPT AS EXPRESSLY STATED IN ANY WRITTEN CONTRACT. ALL WARRANTIES RELATING TO THIS DRAWING, INCLUDING ANY WARRANTIES OF MERCHANTABILITY OR FITNESS, ARE DISCLAIMED. All intellectual property and other rights are retained by Riley Power Inc., unless expressly conveyed in a written contract.						DO NOT SCALE USE DIMENSIONS ONLY		DRAWN: JWL DATE: 02/02/11 CHECKED: DATE: APP'D: DATE:		<b>RILEY POWER INC.</b> PIPING AND INSTRUMENTATION DIAGRAM SCR SYSTEM REACTOR B LG&E MILL CREEK STATION - UNITS 1 & 2 LOUISVILLE, KENTUCKY DWG. NO. 502646-094900051-PO	
REVISION	NO.	BY	CHK	DATE	APP'D	DATE	RELEASED & APPROVED	SIGNATURE	DATE	SCALE	NTS. IN. = 1 FT.

SCR A

SCR B



- NOTES:
1. CAPPED CONNECTORS PROVIDED FOR FUTURE SONIC HORNS.
  2. ALL PIPING 2" AND UNDER SHALL BE SUPPLIED AND FIELD ROUTED BY OTHERS EXCEPT AS NOTED.
  3. ALL COMPRESSED AIR PIPING SHALL BE DESIGNED AND PROCURED BY OTHERS.

REVISION	NO.	BY	CHK	DATE	APP'D	DATE

Copyright 2011 Riley Power Inc. - All Rights Reserved  
 This drawing contains Riley Power Inc.'s confidential and proprietary information and cannot be used, duplicated or disclosed in whole or in part, without the express written permission of Riley Power Inc. EXCEPT AS EXPRESSLY STATED IN ANY WRITTEN CONTRACT. ALL WARRANTIES RELATING TO THIS DRAWING, INCLUDING ANY WARRANTIES OF MERCHANTABILITY OR FITNESS, ARE DISCLAIMED.  
 All intellectual property and other rights are retained by Riley Power Inc., unless expressly conveyed in a written contract.  
 THIS DRAWING IS NOT APPROVED FOR CONSTRUCTION UNLESS IT CONTAINS DATE AND SIGNATURE OF APPROVAL, AND THE COMPANY RESERVES THE RIGHT TO CORRECT ANY ERRORS OR OMISSIONS PRIOR TO ACTUAL START OF WORK.

DO NOT SCALE  
 USE DIMENSIONS ONLY

DRAWN: JWL  
 DATE: 02/02/11  
 CHECKED:  
 DATE:  
 APP'D:  
 DATE:  
 SCALE:  
 NTS: IN - 1 FT.

**RILEY POWER INC.**  
 PIPING AND INSTRUMENTATION DIAGRAM  
 SONIC HORN SYSTEM  
 LG&E  
 MILL CREEK STATION - UNITS 1 & 2  
 LOUISVILLE, KENTUCKY  
 DWG. NO. 502646-094900065-PO

THIS DRAWING IS CONCEPTUAL IN NATURE AND IS NOT A COMPLETE OR FINAL WORK PRODUCT. THE ILLUSTRATED PROCESSES, SYSTEMS, DIMENSIONS, PARTS AND EQUIPMENT SET FORTH ON THIS DRAWING ARE PRELIMINARY AND SUBJECT TO REVISION. THIS DRAWING IS NOT SUITABLE FOR PROCUREMENT, MANUFACTURE OR INSTALLATION.