

COMMONWEALTH OF KENTUCKY
BEFORE THE PUBLIC SERVICE COMMISSION

In the Matter of:

THE APPLICATION OF EAST KENTUCKY POWER)
COOPERATIVE, INC. FOR A CERTIFICATE OF)
PUBLIC CONVENIENCE AND NECESSITY FOR) **CASE NO**
THE CONSTRUCTION OF A 345-kV ELECTRIC) **2006-00463**
TRANSMISSION LINE PROJECT IN CLARK,)
MADISON AND GARRARD COUNTIES, KENTUCKY)

AFFIDAVIT OF DAVID G. EAMES

Comes the Affiant, David G. Eames, and states after first being duly sworn as follows:

1. That the Affiant is employed by the Applicant in the position of Vice President of Finance, and in that capacity, directs and supervises Applicant's activities related to the Applicant's financial condition including, without limitation, the financing of and the monitoring of all capital outlays for projects such as the 345-kV Electric Transmission Line in Clark, Madison and Garrard Counties, Kentucky.

2. That this Project will initially be funded by the Applicant's available general funds. Subsequently, the Applicant proposes to finance this project with a long-term loan from the Rural Utilities Service.

3. That this project does not involve a sufficient capital outlay to materially affect the existing financial condition of the Applicant.

Further Affiant Sayeth Not


DAVID G. EAMES

STATE OF KENTUCKY)

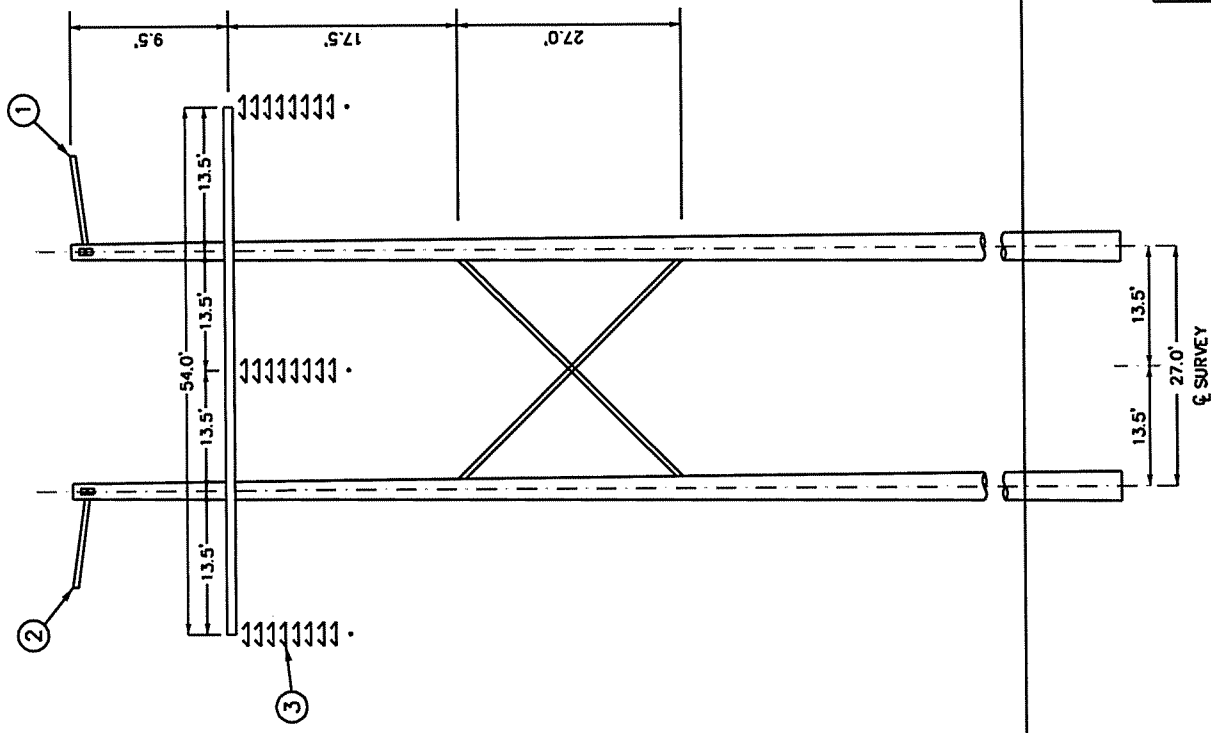
COUNTY OF CLARK)

Subscribed and sworn before me by David G. Eames on this 14th day of
March 2007.

My Commission expires: 12/20/08

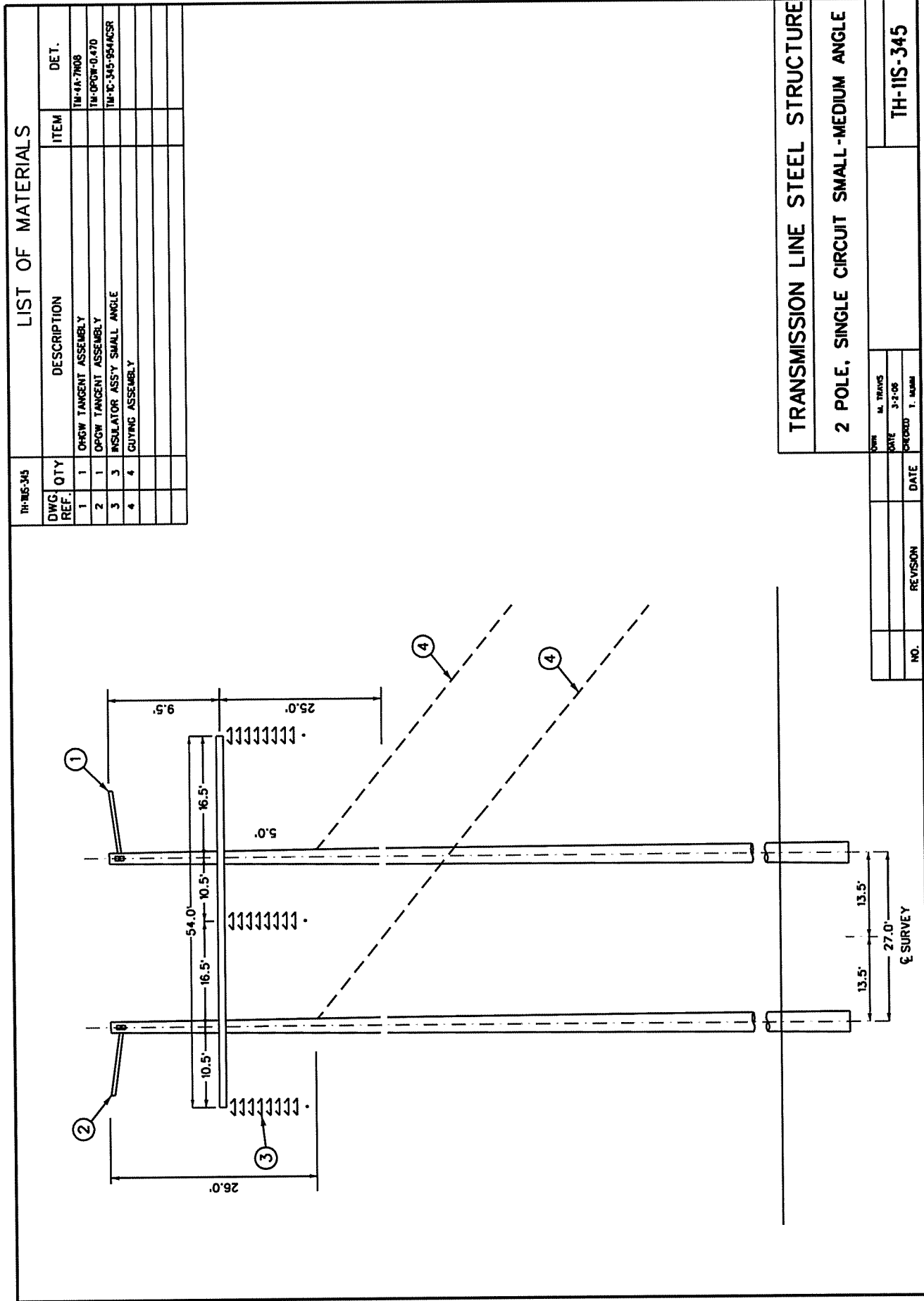
Terri K. Isaacs
Notary Public

TH-345-S				LIST OF MATERIALS	
DWG. REF.	QTY	DESCRIPTION	ITEM	DET.	
1	1	OHGW TANGENT ASSEMBLY	TH-41-7M08		
2	1	OPGW TANGENT ASSEMBLY	TH-UP08-0.17D		
3	3	INSULATOR ASS'Y TANGENT	TH-18-345-62ANCSR		



TRANSMISSION LINE STEEL STRUCTURE	
2 POLE, SMALL ANGLE	
NO.	REVISION
DATE	DATE
DESIGNED	T. JAHAM
DATE	9-1-08
BY	M. TRANS

TH-345-S



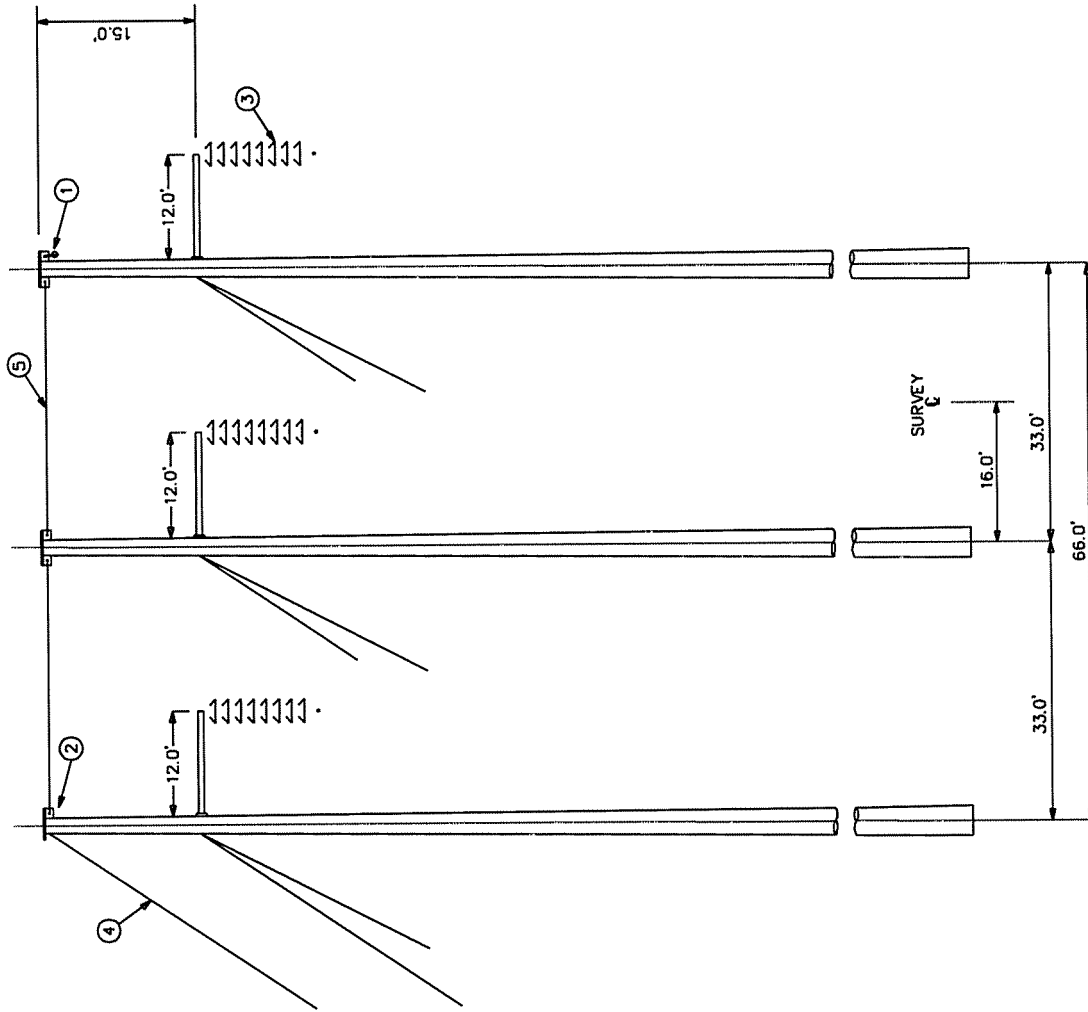
TH-IIS-345			
DWG. REF.	QTY	DESCRIPTION	ITEM DET.
1	1	OHGW TANGENT ASSEMBLY	TM-4A-7N08
2	1	OHGW TANGENT ASSEMBLY	TM-OPGW-0.470
3	3	INSULATOR ASS'Y SMALL ANGLE	TM-IC-345-954CSR
4	4	CUTTING ASSEMBLY	

TRANSMISSION LINE STEEL STRUCTURE
 2 POLE, SINGLE CIRCUIT SMALL-MEDIUM ANGLE

NO.	REVISION	DATE	BY

TH-IIS-345

TH-13-S-345		LIST OF MATERIALS		
DWG. REF.	QTY	DESCRIPTION	ITEM	DET.
1	1	OHGW SUSPENSION ASSEMBLY		TM-1A-7N0B
2	1	OPGW SUSPENSION ASSEMBLY		TM-OPGW-047D
3	3	INSULATOR ASS'Y LARGE ANGLE		TM-IC-345-SMCSR
4	4	GUY ATTACHMENT ASSEMBLY		IC-31A
5	2	TIE GUY ASSEMBLY		IC-31D



TRANSMISSION LINE STEEL STRUCTURE

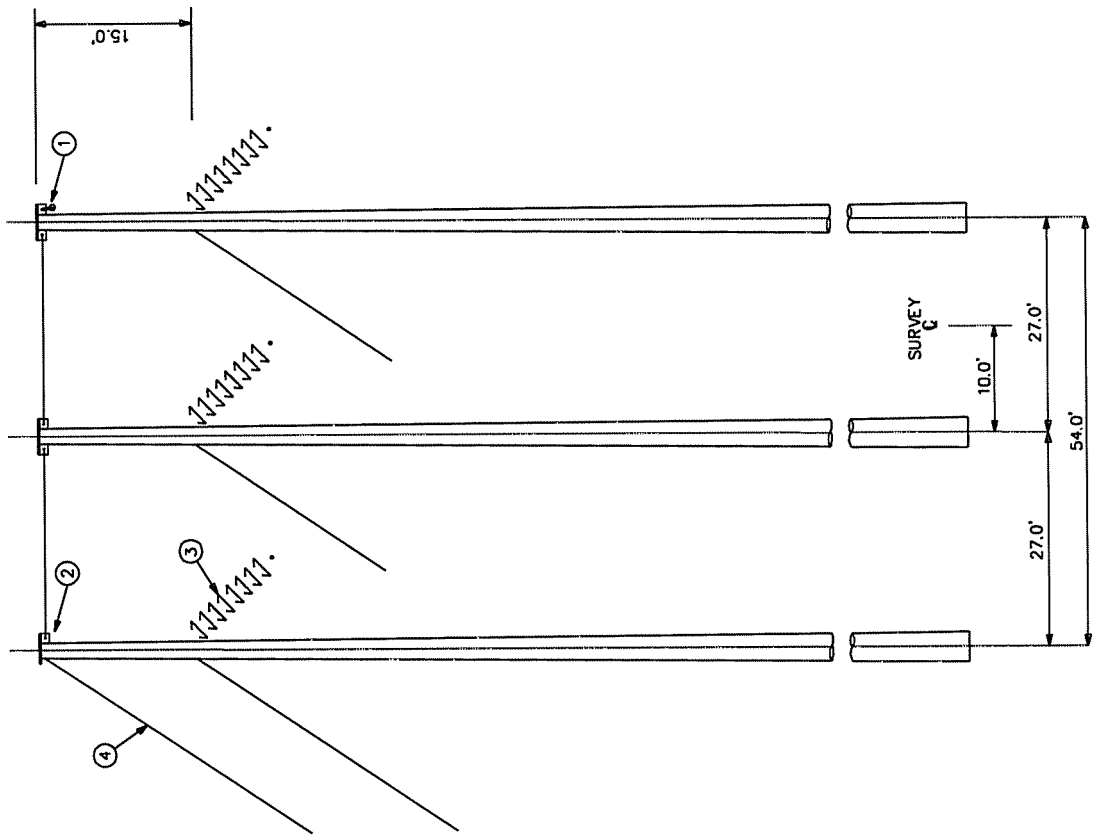
3 POLE, SINGLE CIRCUIT MEDIUM ANGLE

NO.	REVISION	DATE	CHECKED	DATE	BY
TH-13-S-345					

TYPICAL SINGLE CIRCUIT STRUCTURES

EXHIBIT 6

TH-14S-345				LIST OF MATERIALS	
DWG. REF.	QTY	DESCRIPTION	ITEM	DET.	
1	1	OHGW SUSPENSION ASSEMBLY		TH-1A-7N08	
2	1	OPGW SUSPENSION ASSEMBLY		TH-OPROW-0.470	
3	3	INSULATOR ASS'Y LARGE ANGLE		TH-IC2-345-954NCSR	
5	4	GUY ATTACHMENT ASSEMBLY		10-31A	

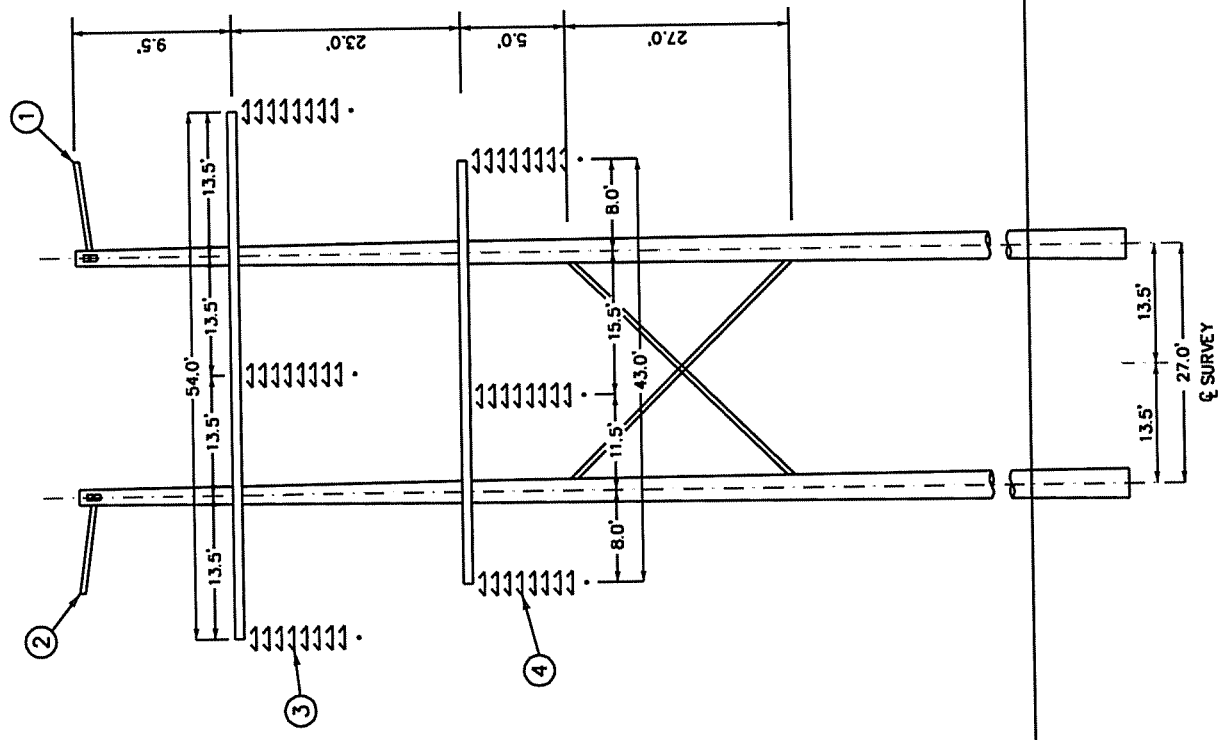


TRANSMISSION LINE STEEL STRUCTURE	
3 POLE, SINGLE CIRCUIT LARGE ANGLE	
DWG. NO.	TH-14S-345
DATE	11-17-06
CREATED	

NO.	REVISION	DATE

TYPICAL DOUBLE CIRCUIT STRUCTURES

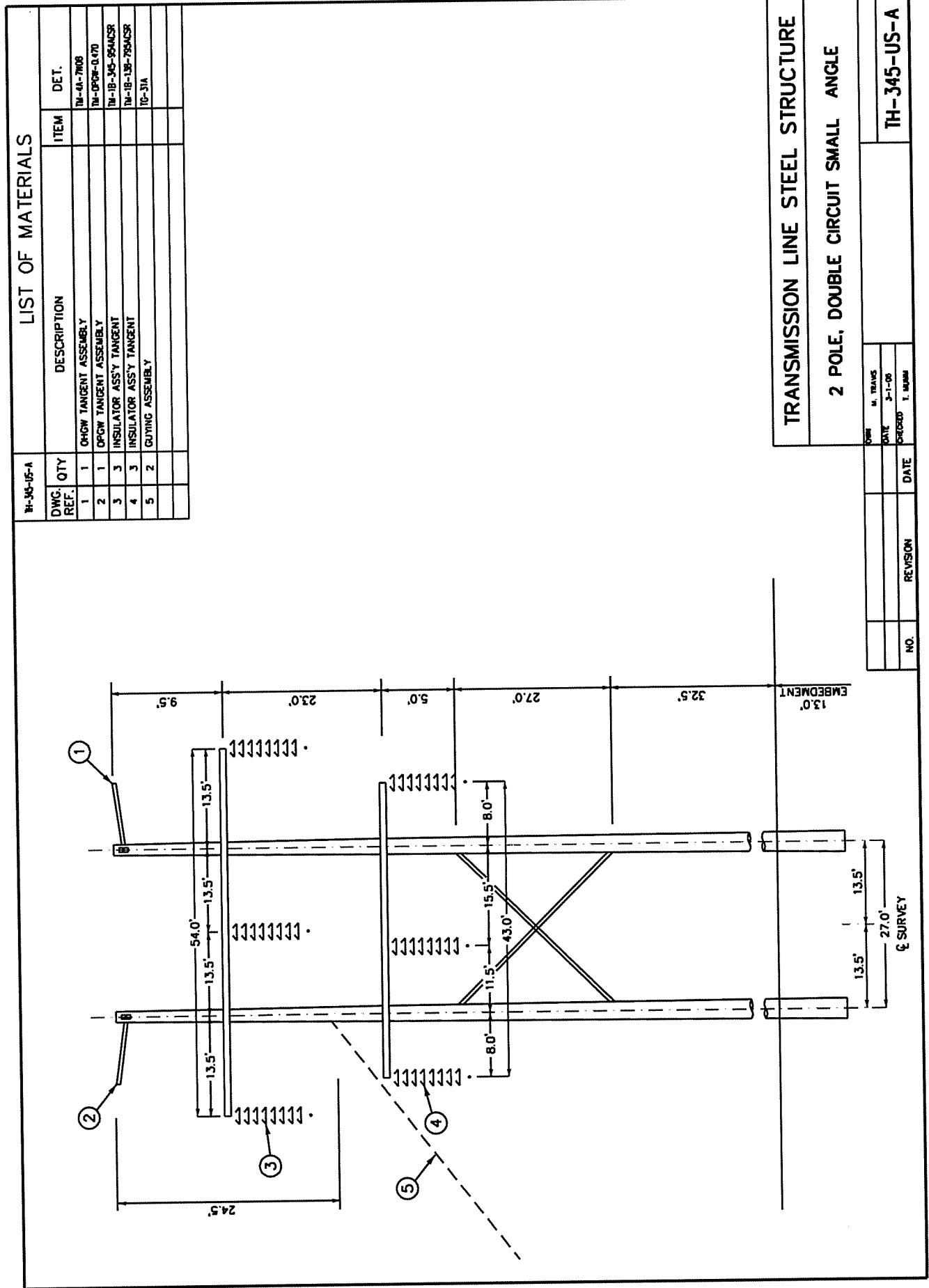
LIST OF MATERIALS				
DWG. REF.	QTY	DESCRIPTION	ITEM	DET.
1	1	OPGW TANGENT ASSEMBLY		TM-4A-7M08
2	1	OPGW TANGENT ASSEMBLY		TM-OPGW-0470
3	3	INSULATOR ASS'Y TANGENT		TM-1B-30-954KSR
4	3	INSULATOR ASS'Y TANGENT		TM-1B-1B-794KSR



TRANSMISSION LINE STEEL STRUCTURE	
2 POLE, DOUBLE CIRCUIT TANGENT	
NO.	REVISION
DATE	DATE
DRAWN BY	DATE
CHECKED BY	T. NUMBER
TH-345-US	

TYPICAL DOUBLE CIRCUIT STRUCTURES

EXHIBIT 7



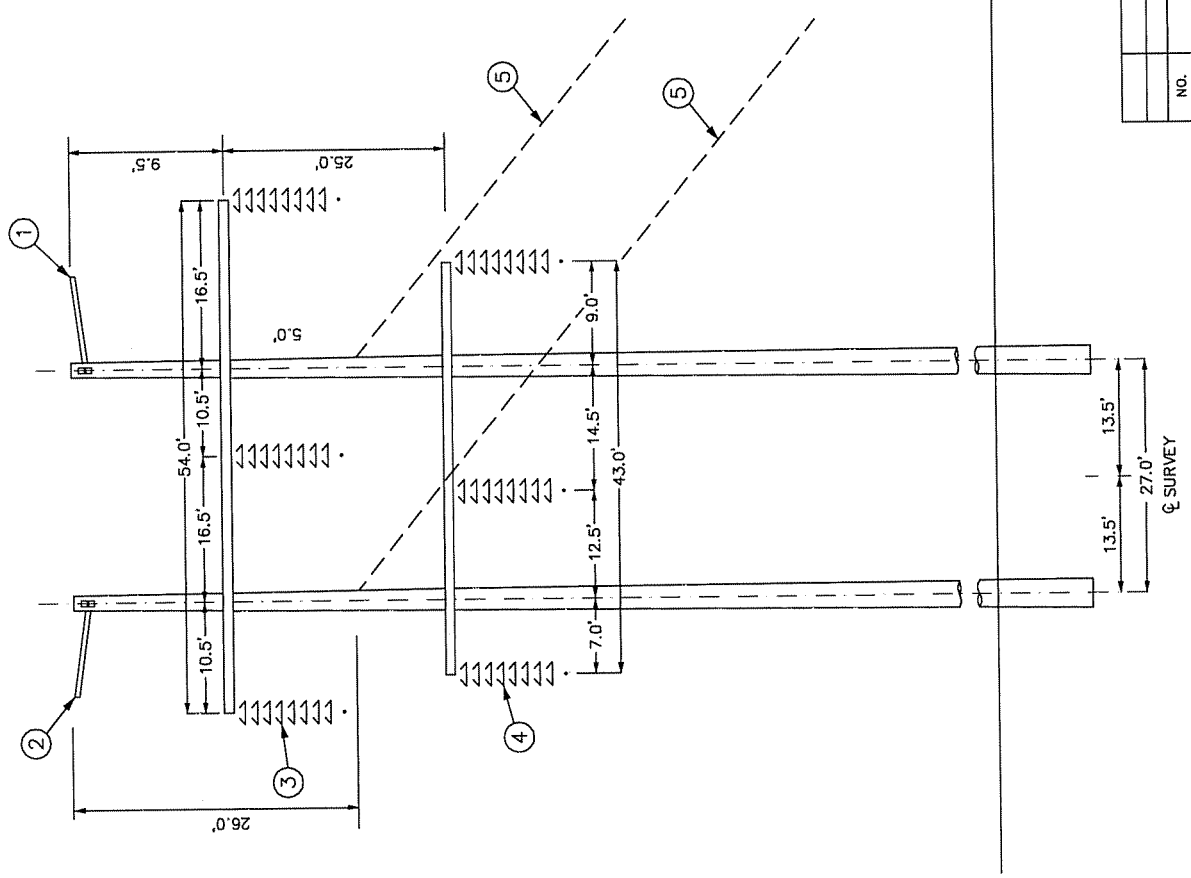
TRANSMISSION LINE STEEL STRUCTURE
 2 POLE, DOUBLE CIRCUIT SMALL ANGLE

NO.	REVISION	DATE	DESIGNED T. MUMM	DATE	TH-345-US-A

TYPICAL DOUBLE CIRCUIT STRUCTURES

EXHIBIT 7

TH-11US-345		LIST OF MATERIALS		
DWG. REF.	QTY	DESCRIPTION	ITEM	DET.
1	1	OHGW TANGENT ASSEMBLY	TM-4A-7N08	
2	1	OPGW TANGENT ASSEMBLY	TM-OPGW-0.470	
3	3	INSULATOR ASSY SMALL ANGLE	TM-1C-345-954ACSR	
4	3	INSULATOR ASSY SMALL ANGLE	TM-1C-138-795ACSR	
5	4	GUYING ASSEMBLY	TC-3/A	

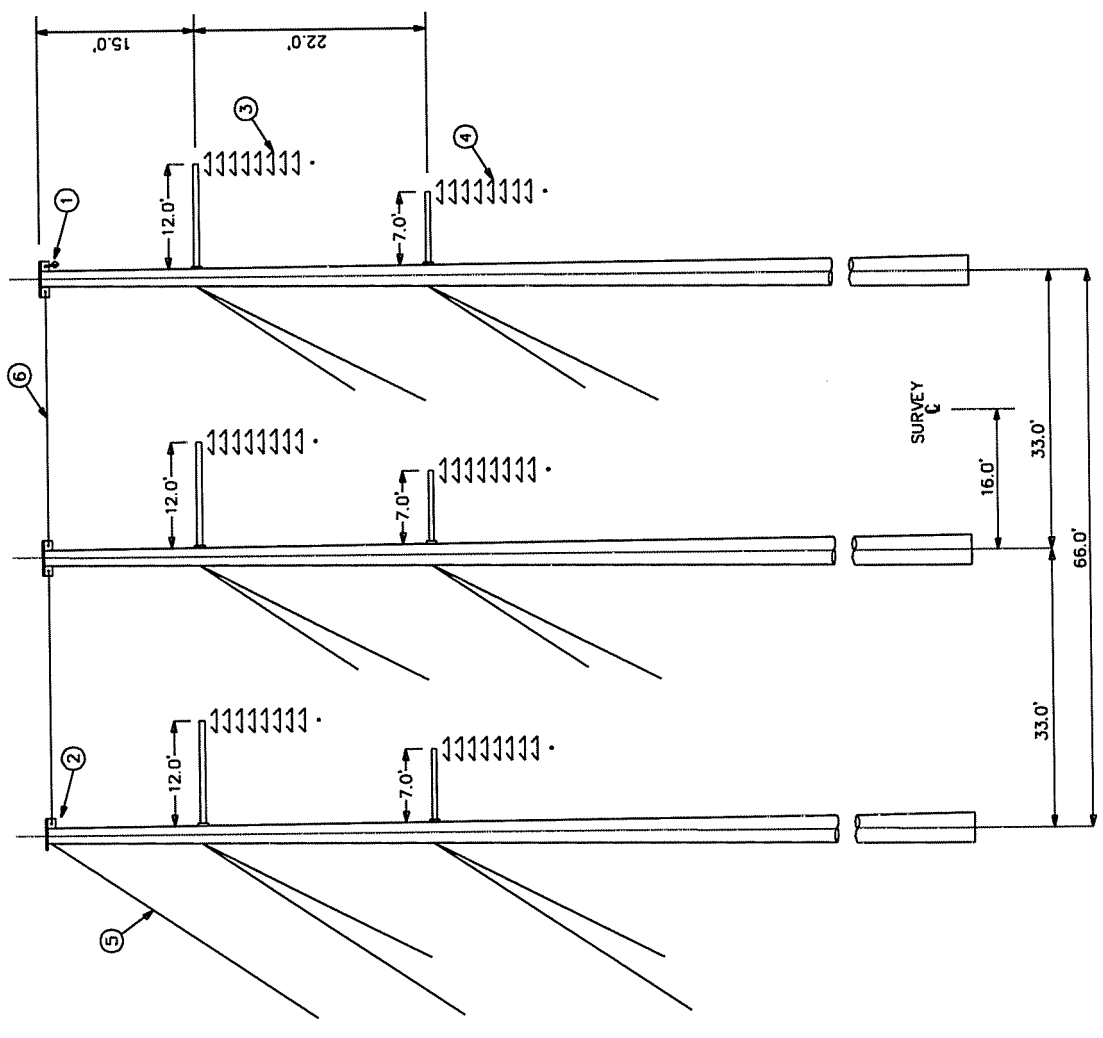


TRANSMISSION LINE STEEL STRUCTURE	
2 POLE, DOUBLE CIRCUIT SMALL-MEDIUM ANGLE	
OWN	M. TRAVIS
DATE	3-2-06
CHECKED	T. HUBB
NO.	REVISION
	DATE
TH-11US-345	

TYPICAL DOUBLE CIRCUIT STRUCTURES

EXHIBIT 7

TH-13-US-345				LIST OF MATERIALS	
DWG. REF.	QTY	DESCRIPTION	ITEM	DET.	
1	1	OHGW SUSPENSION ASSEMBLY		TH-4A-7N08	
2	1	OPGW SUSPENSION ASSEMBLY		TH-OPGW-0.470	
3	3	INSULATOR ASSY LARGE ANGLE		TH-IC-345-954MCSR	
4	3	INSULATOR ASSY LARGE ANGLE		TH-IC-138-795MCSR	
5	7	GUY ATTACHMENT ASSEMBLY		IC-31A	
6	2	TIE GUY ASSEMBLY		IC-31D	

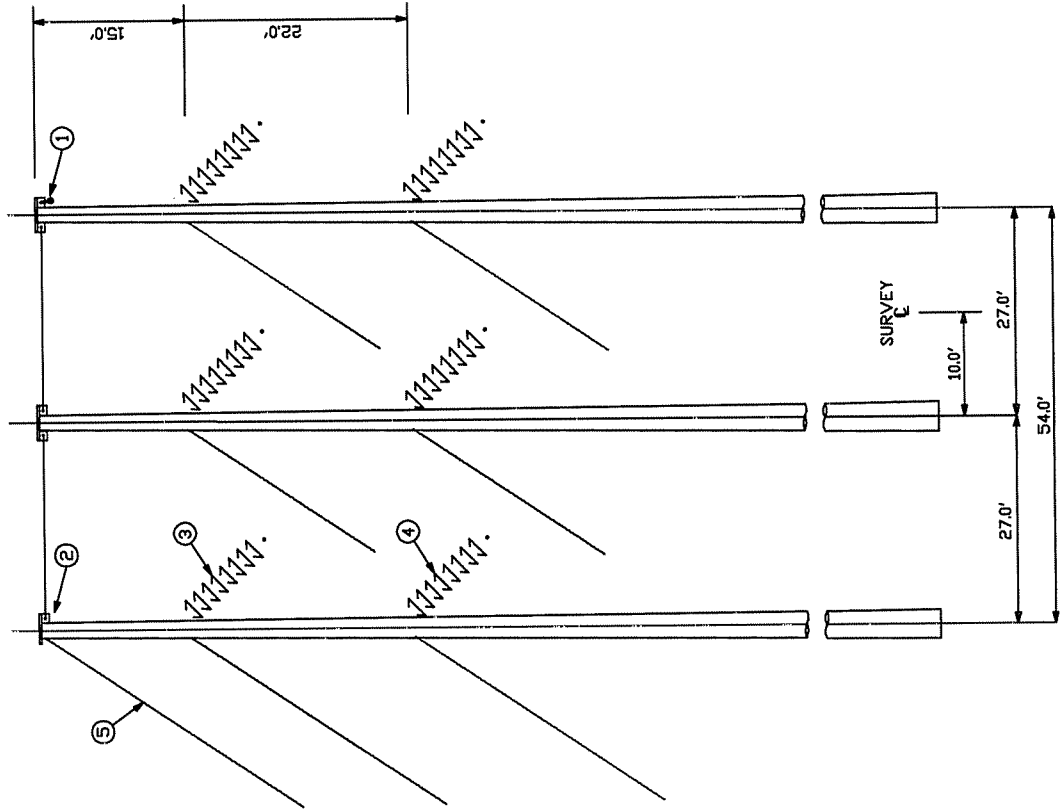


TRANSMISSION LINE STEEL STRUCTURE	
3 POLE, DOUBLE CIRCUIT MEDIUM ANGLE	
OWN	M. TRAVIS
DATE	3-9-06
CREATED	
NO.	
REVISION	
DATE	
TH-13-US-345	

TYPICAL DOUBLE CIRCUIT STRUCTURES

EXHIBIT 7

TH-14US-345		LIST OF MATERIALS		
DWG. REF.	QTY.	DESCRIPTION	ITEM	DET.
1	1	DHGV SUSPENSION ASSEMBLY		TH-6A-700B
2	1	DPCW SUSPENSION ASSEMBLY		TH-UPR07D-0470
3	3	INSULATOR ASS'Y LARGE ANGLE		TH-IC2-345-864CSR
4	3	INSULATOR ASS'Y LARGE ANGLE		TH-IC2-188-756CSR
5	7	GUY ATTACHMENT ASSEMBLY		TG-30A



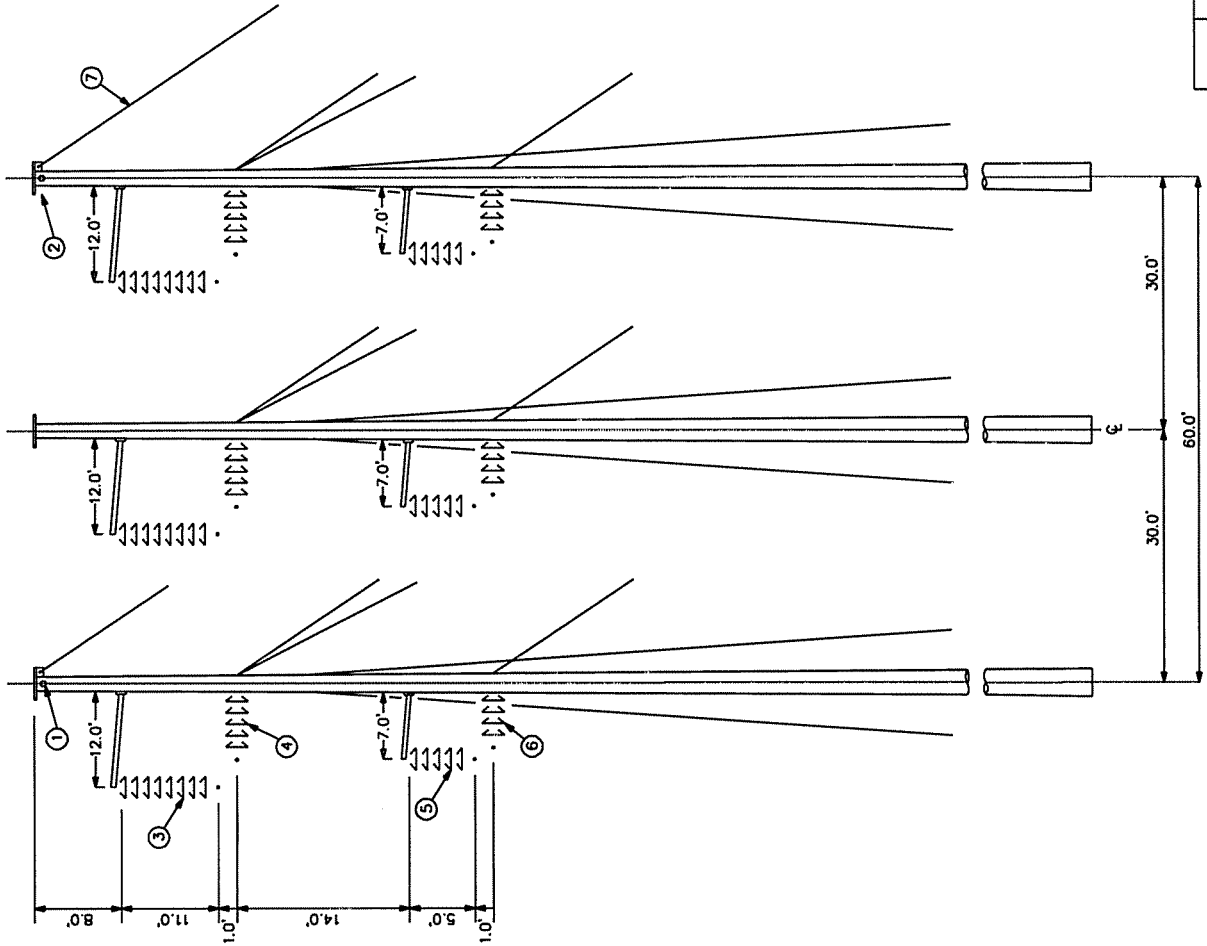
TRANSMISSION LINE STEEL STRUCTURE

3 POLE, DOUBLE CIRCUIT LARGE ANGLE

NO.	REVISION	DATE	BY	CHKD

DATE	9-8-06
DESIGNED	
TH-14US-345	

LIST OF MATERIALS				
DWG.	QTY	DESCRIPTION	ITEM	DET.
1	2	OHGW DEADEND ASSEMBLY		TM-4E-7N08
2	2	OPGW DEADEND ASSEMBLY		TM-0E2-UPGW-0470
3	3	INSULATOR ASSY, SUSPENSION		TM-1L-345-954MCSR
4	6	INSULATOR ASSY, DEADEND		TM-1D-345-954MCSR
5	3	INSULATOR ASSY, SUSPENSION		TM-1B-138-795MCSR
6	6	INSULATOR ASSY, DEADEND		TM-1D-138-795MCSR
7	17	GUY ATTACHMENT ASSEMBLY		IG-31A



TRANSMISSION LINE STEEL STRUCTURE	
3 POLE, DOUBLE CIRCUIT	
DWN	M. TRAVIS
DATE	4-14-05
DESIGNED	
NO.	REVISION
	DATE
	TH-15-US-345

